

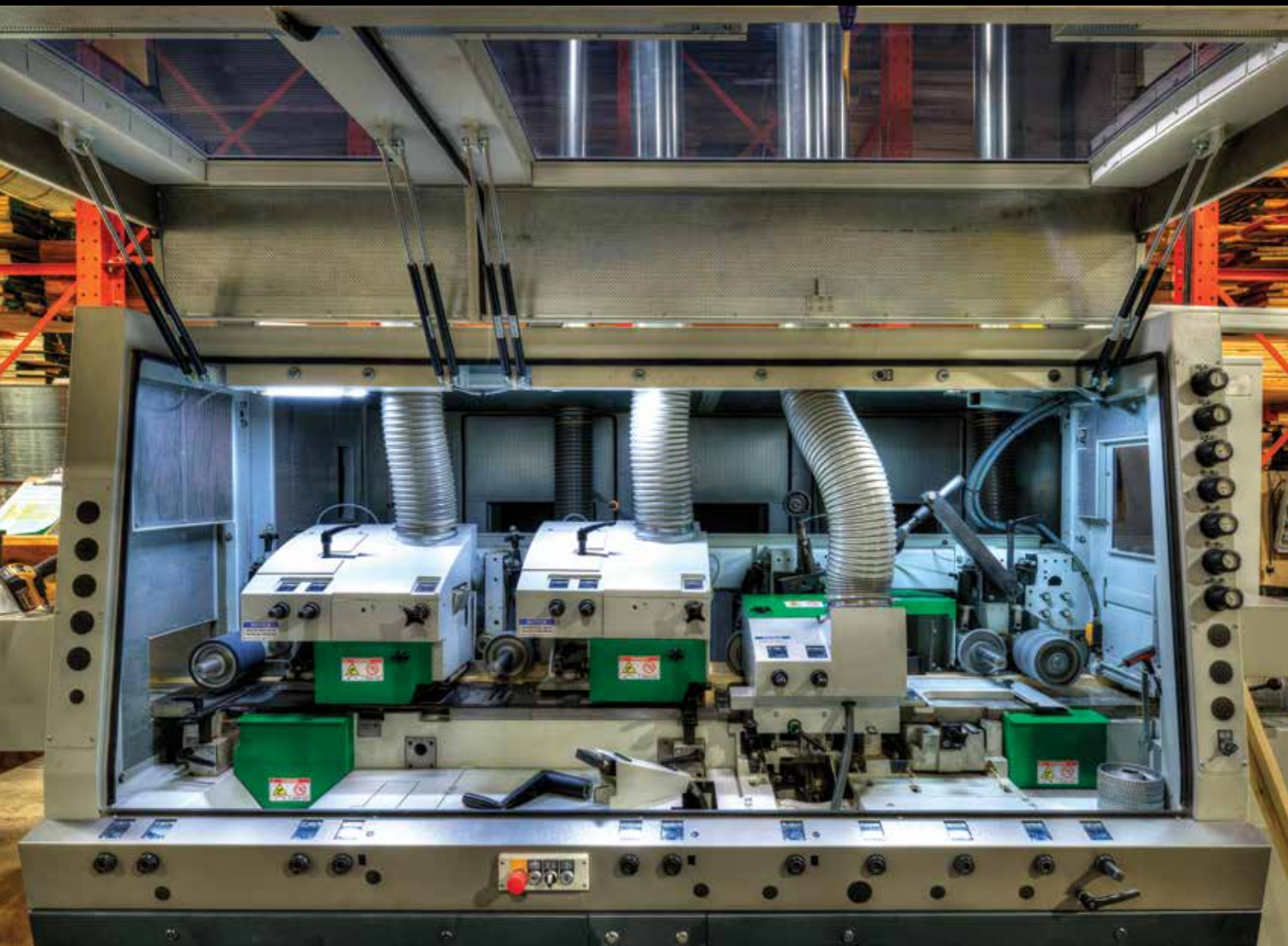


# MOULDINGS ONE

CATALOGUE OF PROFILE DESIGNS







7046

RED OAK

7046

POPLAR

7026

RED OAK

1x4

RED OAK





7026

POPLAR

7014

WARE

7014

7014

POPLAR

1x2

POPLAR

1x3

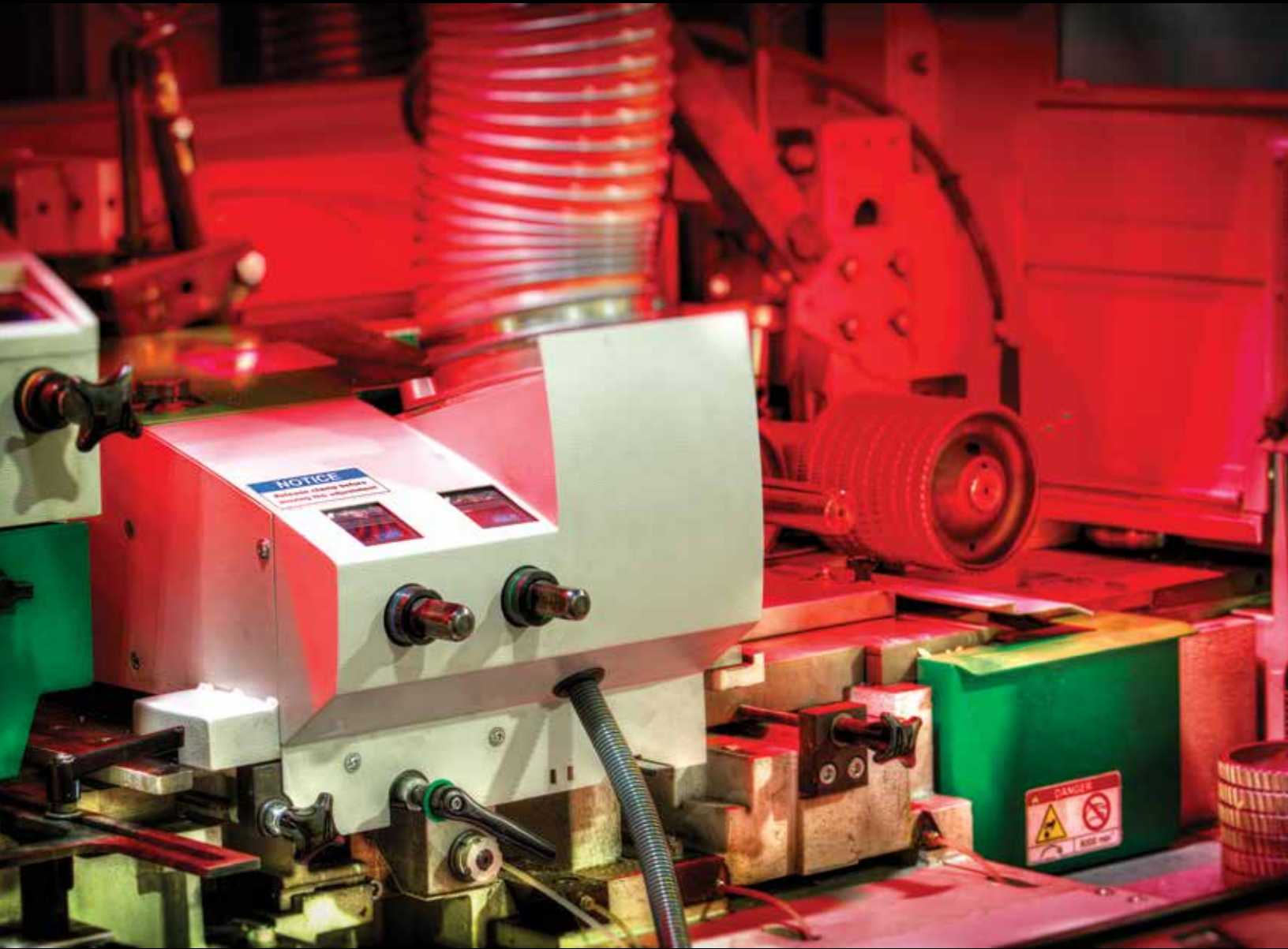
POPLAR

1x6





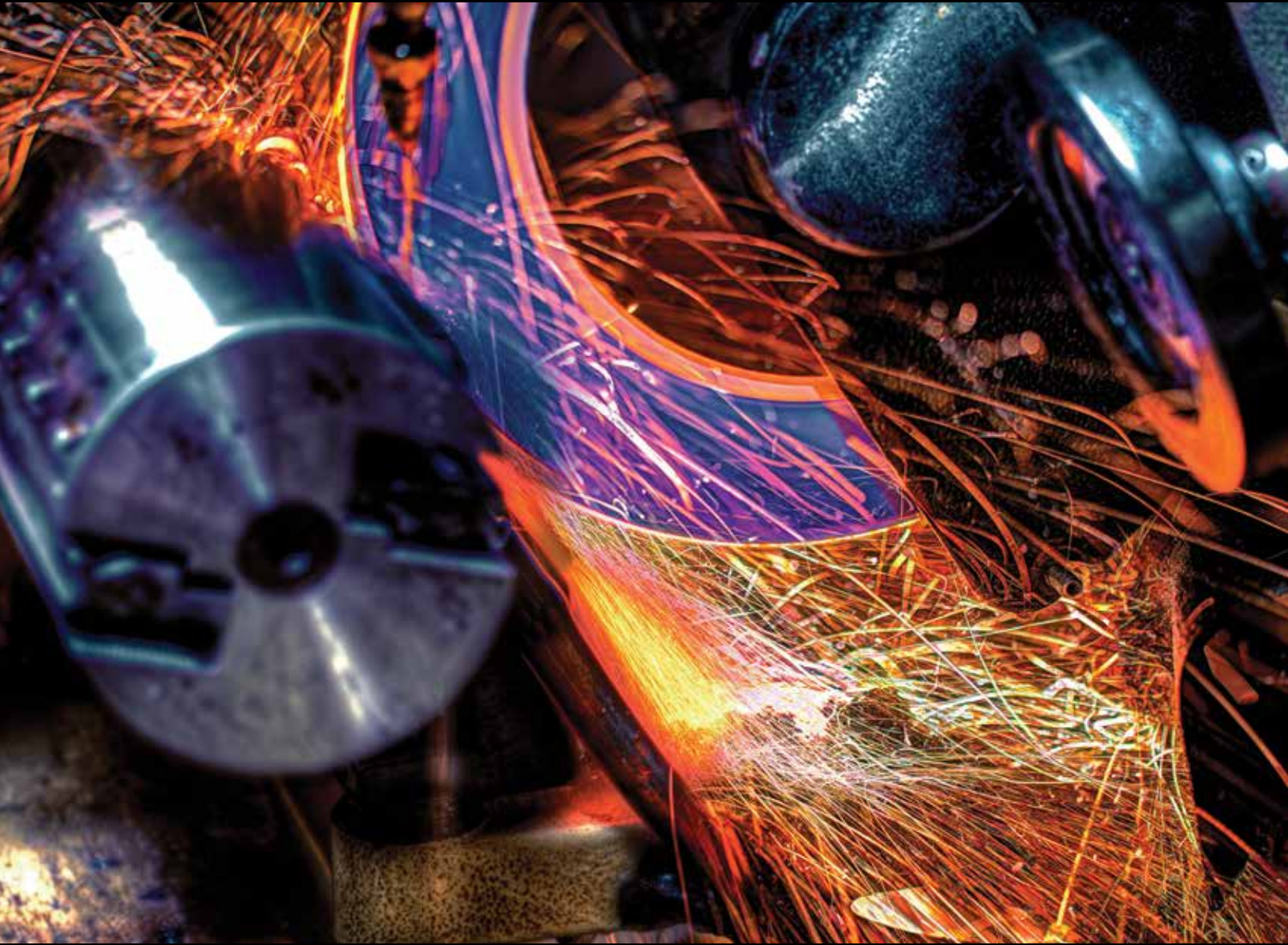




# MOULDINGS ONE

CATALOGUE OF PROFILE DESIGNS







## OUR ROOTS

Since 1958, the Hardwood Lumber Company has grown from a small sawmill selling rough lumber, into a large manufacturing facility that produces a wide variety of quality wood products including stair treads, butcher block countertops, brushes and brooms, and hardwood flooring (Sheoga Hardwood Flooring and Paneling Inc.) Mouldings One, a division of the Hardwood Lumber Company, specializes in milling the highest quality custom architectural millwork, along with the distribution of MDF mouldings, interior doors, stair parts, and door hardware.



## FOREST PRESERVATION

The Hardwood Lumber Company is committed to preserving the environment through sustainable logging. All domestic wood species that we harvest originate locally and throughout the Northern Appalachian region, where more trees are planted and grown than are harvested. The exotic species are imported from properly managed forests worldwide.

## WOOD HEAT: A RENEWABLE ENERGY

Remaining wood byproducts from manufacturing are used to heat our buildings and operate drying kilns. This type of energy is renewable and reduces the need for oil and gas drilling, storage, and transportation to our facility.





## THE FINEST QUALITY

Mouldings One craftsmen are second to none. With hundreds of years of combined experience, we take enormous pride in producing the finest quality products.

Two state-of-the-art Weinig moulders with HSK spindles create a more precise finish than conventional moulders. Profile sanders refine the final surface of our profiles, ready for priming and painting and providing for superior stain uniformity. All of our mouldings are checked and double-checked for precision, smoothness and accuracy.

## PREFINISHING

Priming and prefinishing services are available for all of our products. We can apply a variety of sanding sealers, primers, and custom matched finishes, textures and distressing, oxidation oils, stains and clear coats, and painted finishes.

We have two on-site lab technicians who will work with you to match colors and develop the exact finish you need. Visit our showroom for samples of standard finishes and to discuss your options.





## INDIVIDUAL CREATIVITY

You are invited to visit our showroom and select from hundreds of wood moulding samples. Any unique, deeply personal vision you have, ranging from traditional to contemporary, can be created from almost unlimited design combinations.

## CUSTOM MOULDINGS

If you wish to create a moulding that is not found in our collection, our workshop can produce custom tooling to precisely match sketched drawings, architectural blueprints or existing wood samples.

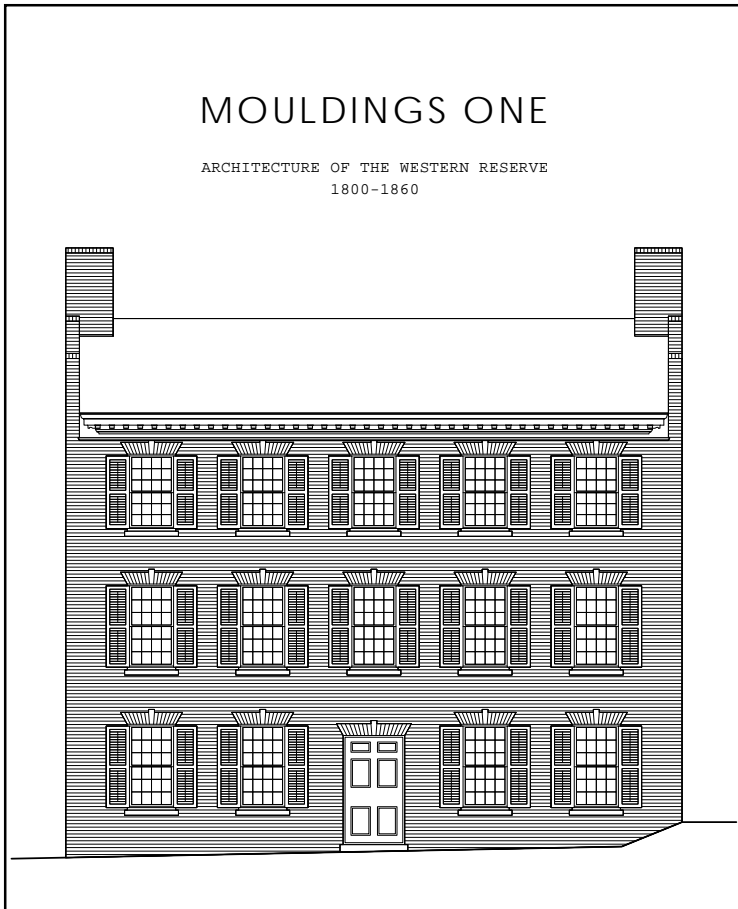
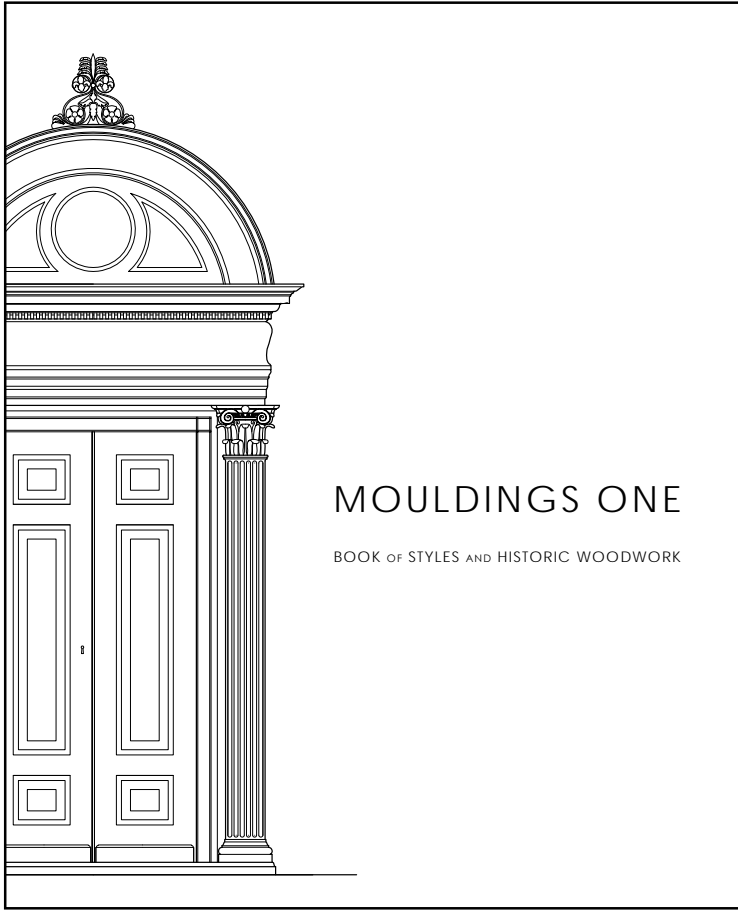


## KILN-DRIED LUMBER

Cabinet grade kiln-dried lumber in most domestic and exotic species are available for purchase and is sold by the board foot.

Please call us for pricing and availability.





## OUR OTHER PUBLICATIONS

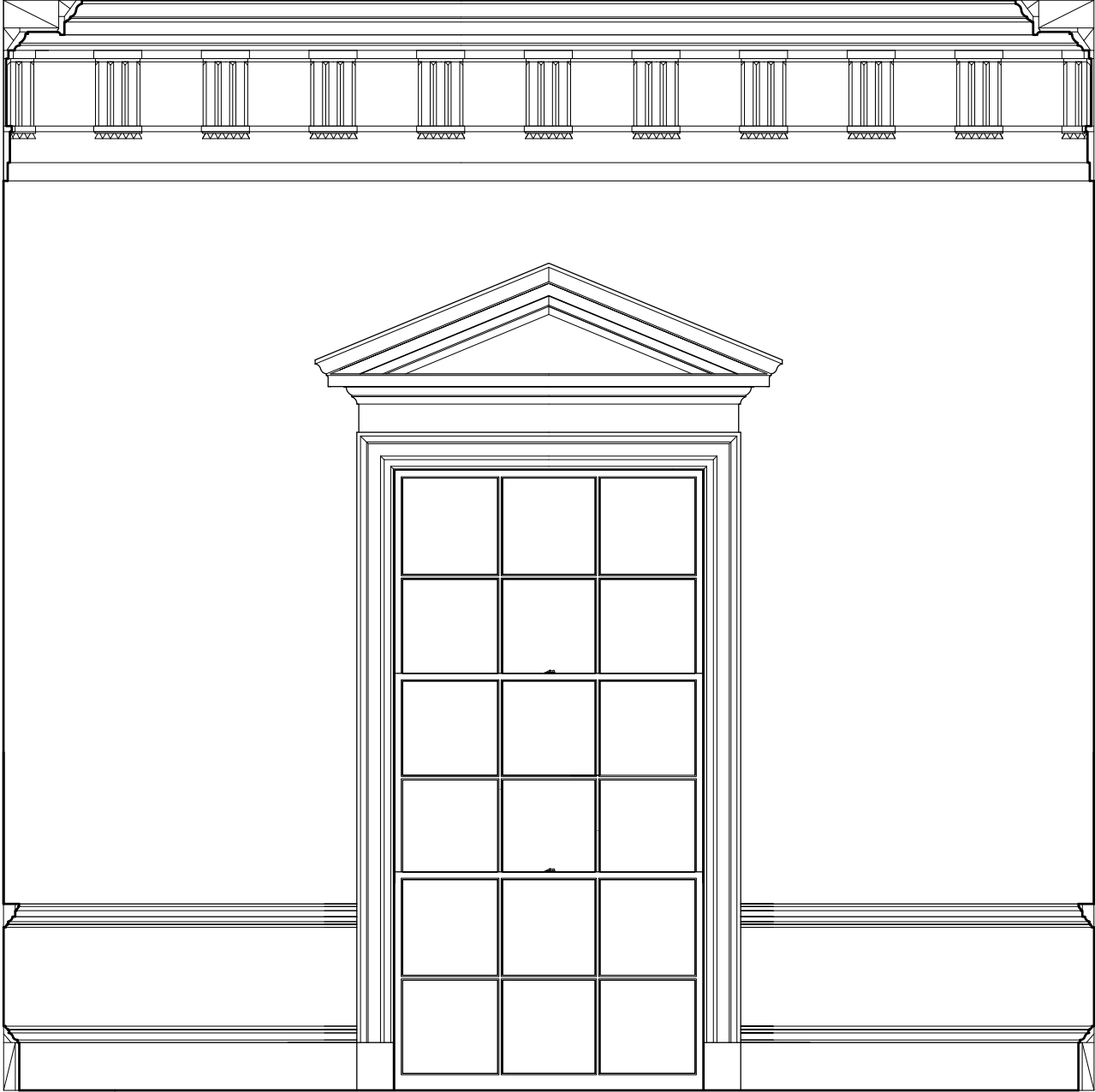
Mouldings One also offers a book of designs showing suggested groupings of our moulding profiles relating to over 40 architectural styles. In addition, we have begun to document and transcribe moulding profiles and assemblies shown in historical millwork catalogs, building manuals, and actual buildings.

## VISIT US ONLINE

Explore our mouldings, gallery, architectural styles, and our other publications online.

## MOULDINGS IN CAD.DWG

Download our complete line of moulding profiles from our website at: [www.mouldingsone.com](http://www.mouldingsone.com)



"Monticello" Charlottesville, Virginia 1772

## AUTHOR'S NOTE

The search started in 2000 when I began working for my father's company. I had always been fascinated with the arts and I wondered how I could apply this passion to my work. To my surprise, I learned that mouldings are one of the most engaging art forms originating from antiquity, and when combined similar to how words are used in a language, create a particular architectural style.

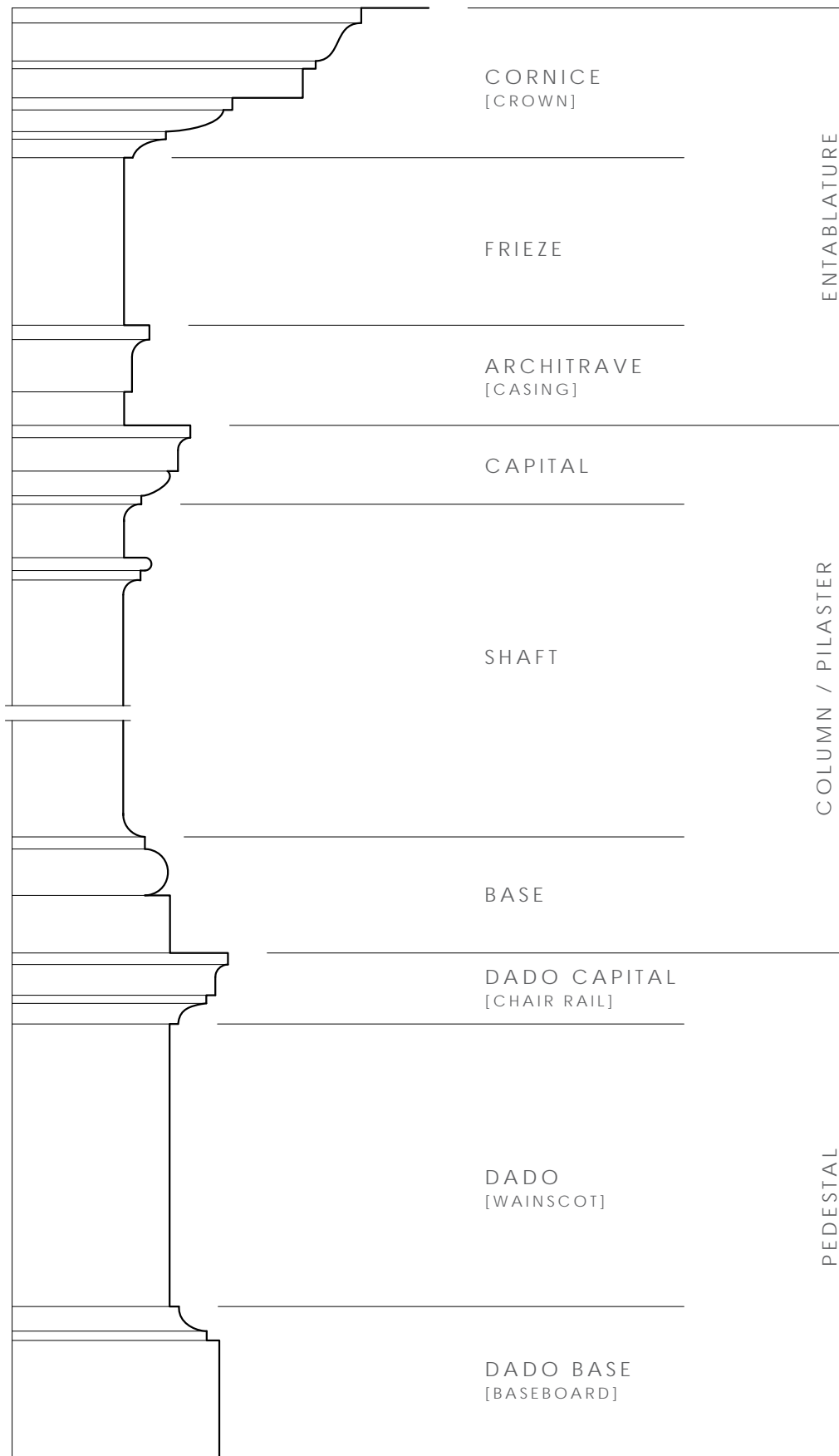
This finding set me on a journey to express these possibilities. I soon realized, I had to read countless books, seek assistance on the subject, and wrestle with the print medium of graphic design. Two decades later, this relentless search has evolved into an extensive architectural library and three publications, including our latest profile catalogue arranged and categorized by shape and size.

With the design assistance of architect, David Ellison, Aaron Matti's painstaking attention to detail, Michael Finizia's vibrant photography, and Stanley Pinchak's meticulous drawing abilities, I am proud to give you our new Catalogue of Profile Designs.

Enjoy and best wishes for your design success,



Stephen Trudic



TUSCAN ORDER AS DELINEATED BY ASHER BENJAMIN.

## ABOUT THIS CATALOGUE

Drawings are accurate, full-scale cross-sections and are arranged by shape and style. All mouldings can be searched numerically by using the index. In-stock mouldings are shown on pages 3-18.

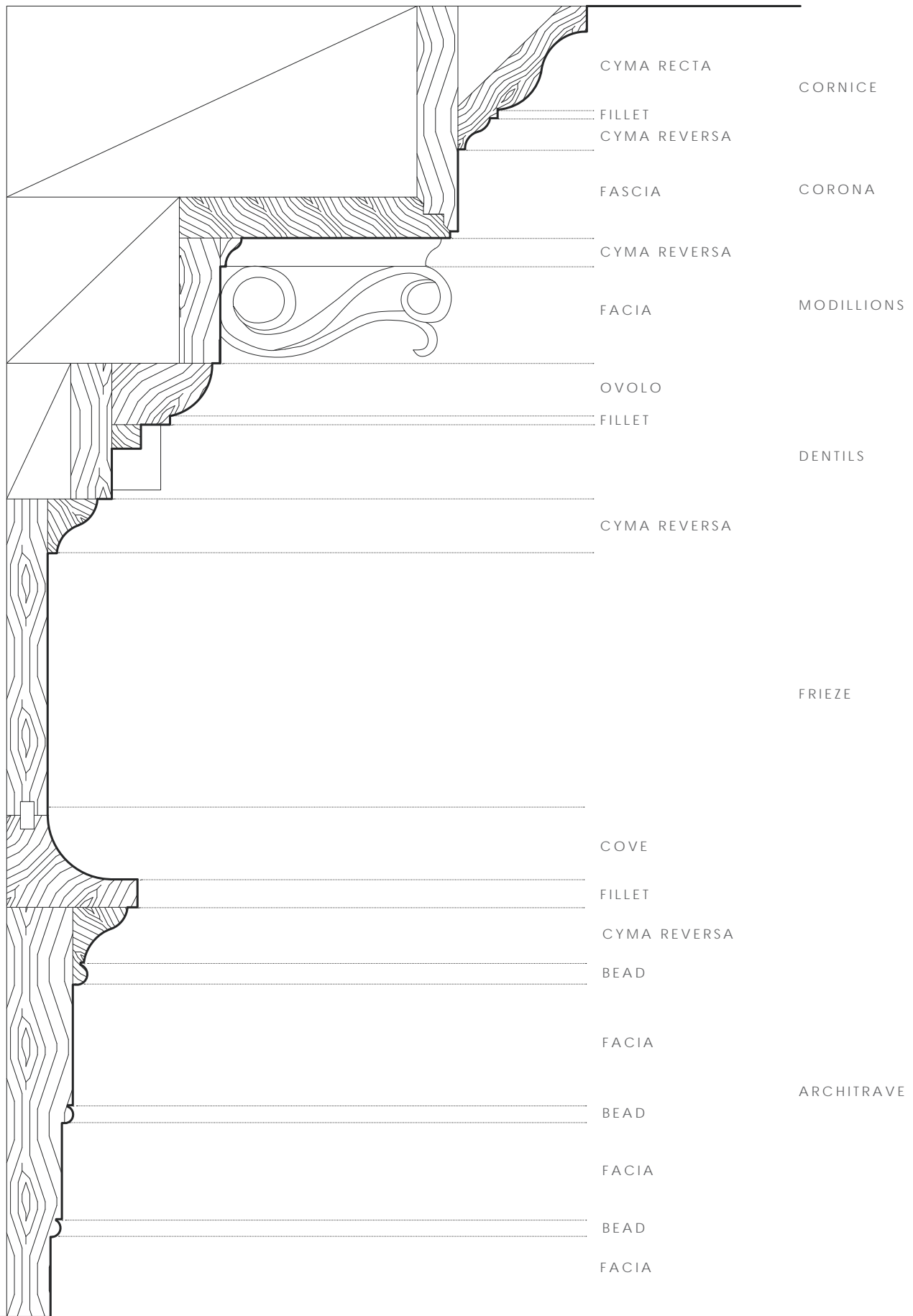
Most mouldings shown can be modified for length, width, and thickness. Base caps and panel molds can be designed with a rabbet for recessed paneling or for use as a wainscot cap.

## RADIUS DESIGNS

Select from the available moulding styles and we will custom fit any curving wall, arched entryway, window, or jamb.

## COMMON MOULDING ASSEMBLIES

Pages 374-416 include design ideas for multi-piece crowns and cornices, beams, wainscot and wall paneling, columns, entablatures, door and window headers, and multi-piece casings.



## MOULDING SHAPES AND CATEGORIES

The layout of this catalogue has been created to find shapes intuitively and logically and is arranged by architecturally common categories and sub-categories.

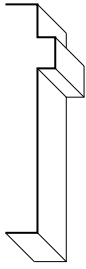
Please note that organizing shapes is not a perfect science. In some cases, mouldings are duplicated in multiple categories because the shape can be used in various applications. For example, a casing can be applied as a baseboard or a crown mold can be a base cap or a panel mold. In other cases, mouldings may be found only in one category, but can also be used in another.



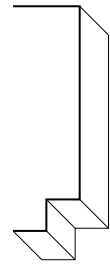
# BASIC SHAPES OF MOULDINGS

STRAIGHT

FILLET

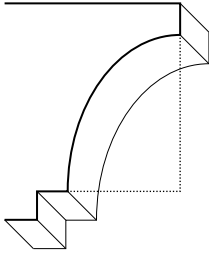


FACIA

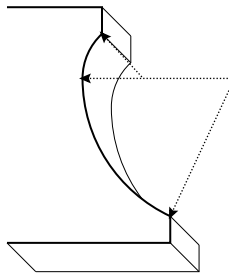


CONCAVE

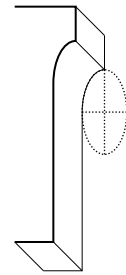
CAVETTO



SCOTIA

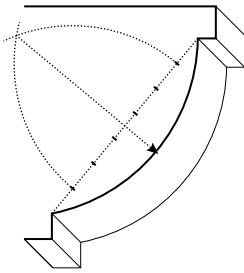


CONGE

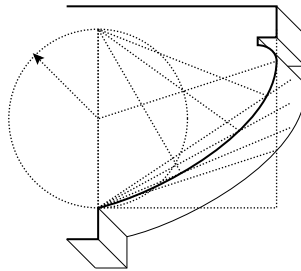


CONVEX

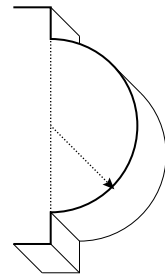
OVOLO



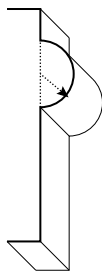
ECHINUS



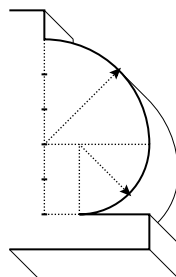
TORUS



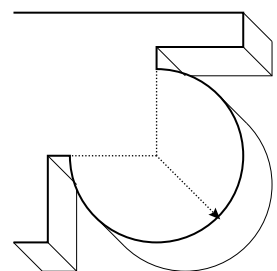
ASTRAGAL BEAD



THUMB

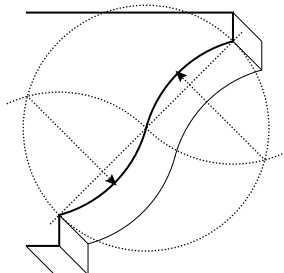


3/4 BEAD

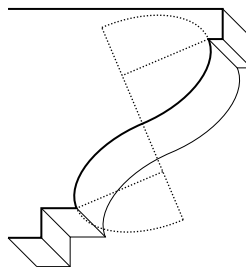


COMPOUND

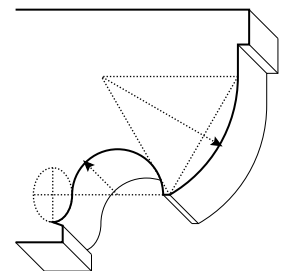
CYMA RECTA



CYMA REVERSA



BEAK

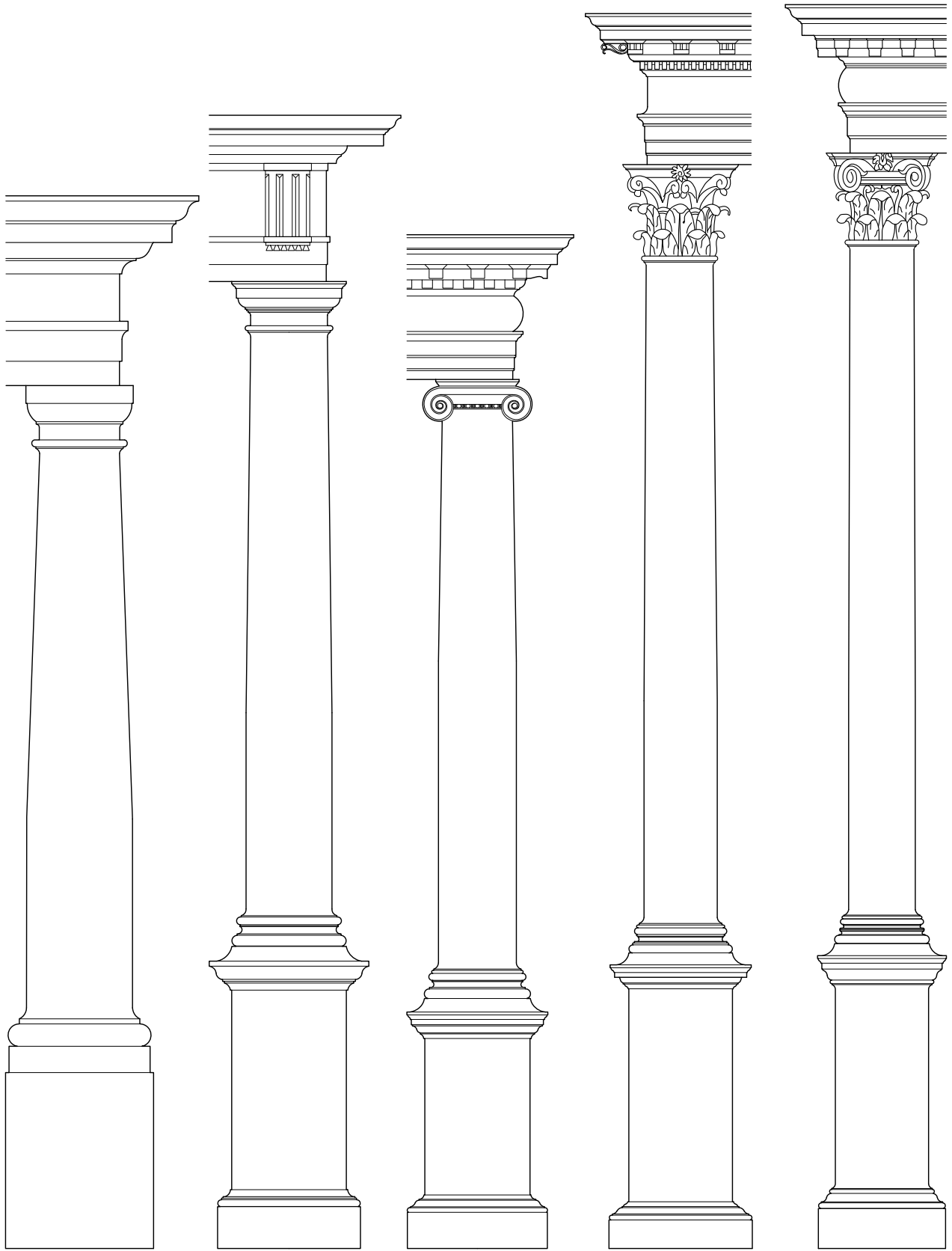


## THE VOCABULARY OF MOULDINGS

Moldings are combined in a way similar to how words are combined to form a language with rules of conventional sentence structure, grammar and syntax.

The shapes shown are the basic "words" or building blocks for architectural mouldings. They are divided into the following geometric categories: plane, concave, convex, and compound. Among the straight mouldings, a small straight surface is referred to as a fascia and a very small straight surface, a fillet. The concave and convex mouldings are typically based on portions of a circle or an ellipse forming the cove, ovolo, echinus, scotia, torus, and congé shapes. Compound mouldings combine these shapes into the cyma, beak, and ogee.

THE FIVE ORDERS MADE USE OF BY THE ANCIENTS.



TUSCAN.

DORIC.

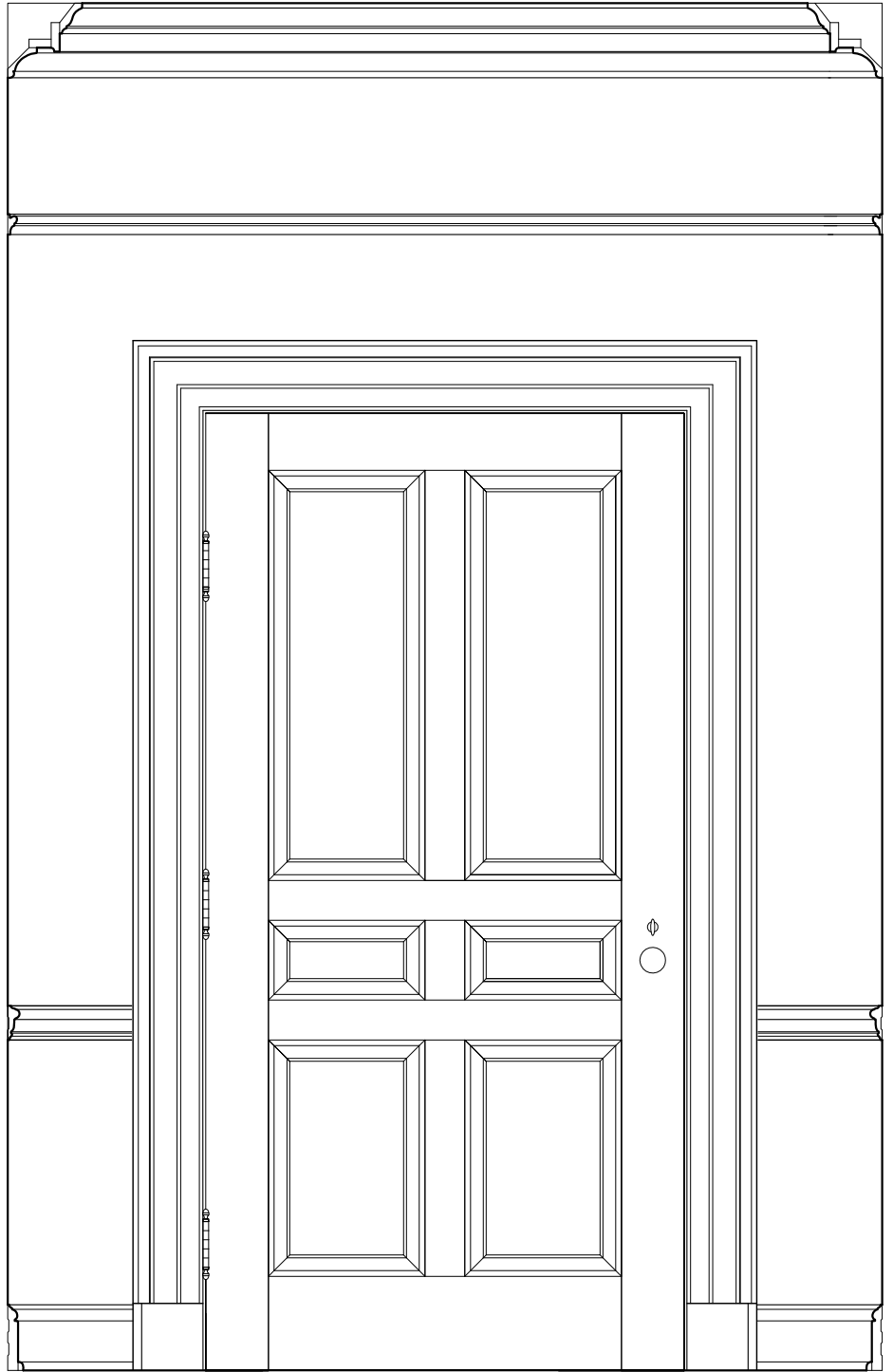
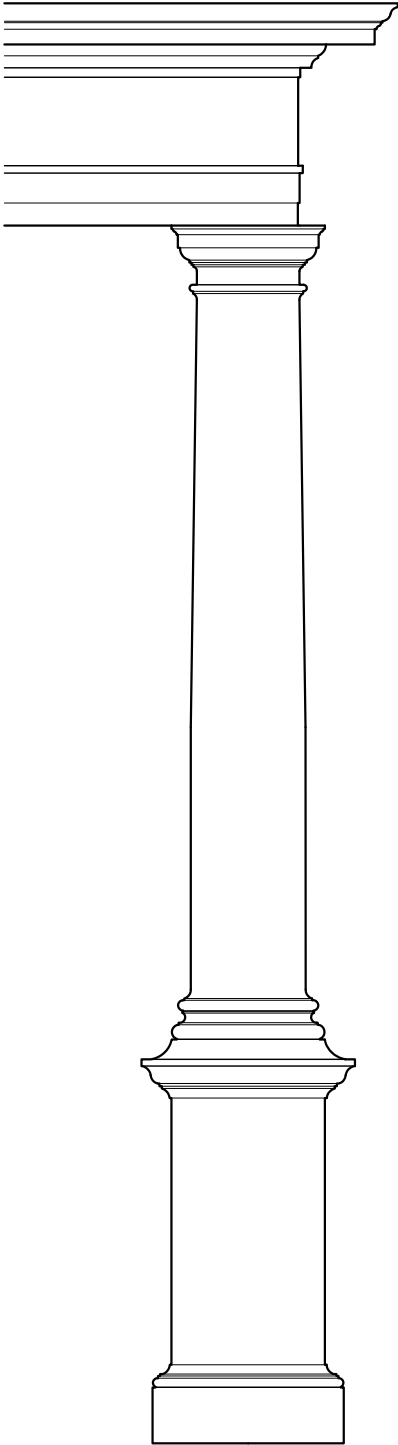
IONIC.

CORINTHIAN.

COMPOSITE.

## THE FIVE ORDERS OF ARCHITECTURE

There are five classical orders of architecture - Tuscan, Doric, Ionic, Corinthian, and Composite. Of the five, the three most distinct and recognizable are the Doric, Ionic and Corinthian. The Doric tends to be simplest, with generally more stout proportions. The Ionic is distinguished by column capitals that include opposing volutes. The Corinthian is the tallest and most slender, with capitals adorned with leaves of the Acanthus plant. The Tuscan order was reserved for the most basic of buildings and is the least ornamented. The Composite order, as its name suggests, is made of elements from the other orders, but most closely resembles the Corinthian.



ROMAN DOR-  
IC ORDER ON  
PEDESTAL WITH  
CORINTHIAN  
FRIEZE.

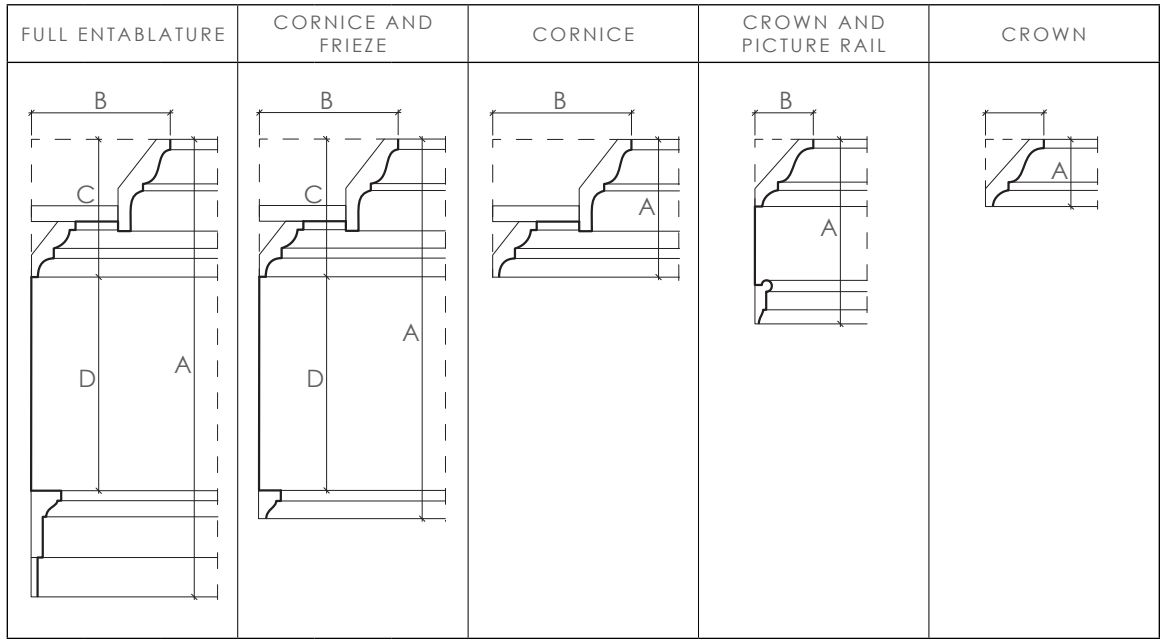
## CLASSICAL ORIGINS OF MOULDINGS

While architectural moldings are frequently justified for only the purpose of covering gaps and intersections in construction, the application of the forms and proportions of Classical Architecture leads to beautiful scale and detail.

The sizes and proportions of moldings and their locations can easily be associated with the Classical Orders (previous pages) as shown in the corresponding drawing. Many of the parts retain their names from classical architecture - an architrave, the spanning element in temple construction, is also the header piece over a door or window - the casing. A cornice or frieze - the highest element in a classical entablature, is associated with a crown molding or fascia. The Dado, or the element at the top of a pedestal, can be interpreted as a chair rail. The forms of the various profiles use the same terminology whether referring to the elements in a classical temple or the shape of a wooden trim molding - cyma, bead, fillet, ogee, half-round, quarter-round, etc.

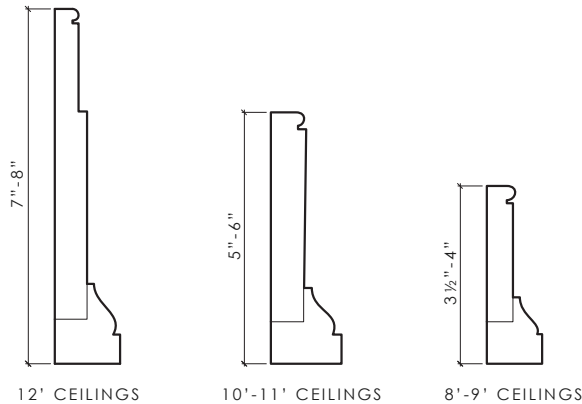
## CORNICE HEIGHT DETAILS

PROPORTIONS IN A ROOM RELATING THE PARTS TO THE WHOLE MOST FIRST-FLOOR ROOMS HAVE A CROWN AND PICTURE RAIL. FULL ENTABLATURES AND CORNICES ARE TYPICALLY RESERVED FOR HIGH STYLE ROOMS WITH CEILINGS 11'-0" OR HIGHER. MOST SECOND-FLOOR ROOMS WILL HAVE ONLY A CROWN; SECONDARY ROOMS ON THE FIRST FLOOR OFTEN HAVE ONLY A CROWN, NO PICTURE RAIL. UNLESS THERE ARE EXPOSED BEAMS IN THE ROOM, USE A TERMINATING MOLDING FOR THE CROWN.

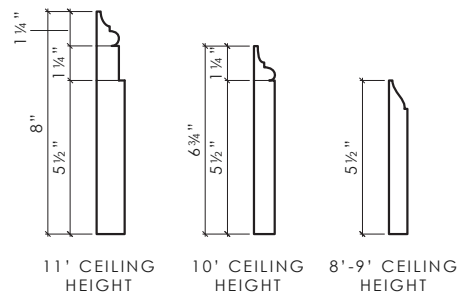


CEILING HEIGHT	FULL ENTABLATURE			CORNICE AND FRIEZE			CORNICE	CROWN AND PICTURE RAIL	CROWN
	A	B/C	D	A	B/C	D	A/B	A	A
8'	-	-	-	-	-	-	6"	8"	2 1/2"
9'	1'-9"	7 1/2"	9 1/2"	1'-5 3/4"	7 1/2"	9 1/2"	7 1/2"	9"	3"
10'	2'-0"	8"	11"	1'-8"	8"	11"	8"	10"	4"
11'	2'-2"	9 1/2"	1'-0"	1'-9 3/4"	8 1/2"	1'	9"	11"	-

### CASING WIDTH DETAILS



### BASEBOARD HEIGHT DETAILS



## MOULDING HEIGHT & WIDTH DETAILS

Mouldings and interior details help to establish the balance of a room so that it is visually pleasing.

The chart and illustration to the left, give simple rules to follow when choosing the size of cornice in relation to the ceiling height. For example, a high-style room with 11' ceilings, a full entablature should be 2'2", whereas in a typical second floor room with an 8' high ceiling, the crown should be 2½" tall.

Recommended casing width and baseboard height are shown in the bottom diagrams, with reference to the ceiling height.



BACKBAND [IN STOCK]	12	ASTRAGALS	275-280
BASEBOARD [IN STOCK]	6	BACKBAND	93-102
BASE CAP [IN STOCK]	11	BAR RAIL	323
CASING [IN STOCK]	5	BASEBOARD	117-160
CHAIR RAIL [IN STOCK]	9	BASE CAP	235-274
COVE [IN STOCK]	8	CASING	25-92
CROWN [IN STOCK]	7-8	CHAIR RAIL	223-234
DOOR STOP [IN STOCK]	9	COVE	195-209
HANDRAIL [IN STOCK]	13	CROWN	161-222
NOSING [IN STOCK]	15	DOOR STOP	335-336
OUTSIDE CORNER [IN STOCK]	12	HANDRAIL	309-322
PANEL MOLD [IN STOCK]	11	MDF	346-372
S4S [IN STOCK]	3-4	MISCELLANEOUS	337-342
SHELF EDGE [IN STOCK]	10	NOSING	295-298
SHOE [IN STOCK]	10	OUTSIDE CORNER	325
SHOERAIL AND FILLET [IN STOCK]	12	PANEL MOLD	235-274
SMALL MOULDINGS [IN STOCK]	10	PICTURE RAIL	333
WINDOW SILL [IN STOCK]	14-15	PLINTH BLOCK	103-116
		ROUND	285-290
		SHELF EDGE	333
		SHOE	334
		SHOERAIL AND FILLET	324-325
		SMALL MOULDINGS	326-332
		TONGUE AND GROOVE	299-308
		TRANSITION MOLD	281-284
		WINDOW SILL	291-294

MDF BASEBOARD [IN STOCK]	22	BASE & CROWN BLOCKS	343-344
MDF CASING [IN STOCK]	21	DENTIL MOULDINGS	16
MDF CROWN [IN STOCK]	23-24	ROSETTE AND PLINTH BLOCKS	17-18
MDF S4S [IN STOCK]	20		
MDF SHIPLAP [IN STOCK]	24	COMMON ASSEMBLIES	374-416
PRIMED SHOE [IN STOCK]	24	BEAMS	383-386
		CASING AND BACKBAND	409-416
MDF ARCHITRAVE	368-369	CROWN BUILD-UP	375-382
MDF BASEBOARD	355-361	DOOR HEADERS	405-406
MDF BASE CAP	371	ENTABLATURES	403-404
MDF CASING	349-354	WAINSCOTING/WALL PANELING	387-402
MDF CHAIR RAIL	370	WOOD COLUMNS	407
MDF CROWN	362-367		
MDF DOOR STOP	371	INDEX	417-454
MDF PANEL MOLD	371	POLICIES	455-458
MDF SHIPLAP	372	GLOSSARY	459-462
MDF WAINSCOT	372	WOOD SPECIES	1-2
MDF WAINSCOT CAP	371		
PRIMED SHOE	371		



BRAZILIAN CHERRY

HARDNESS 2350



ASH

HARDNESS 1320



LYPTUS

HARDNESS 2228



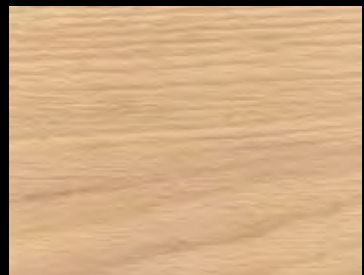
BEECH

HARDNESS 1300



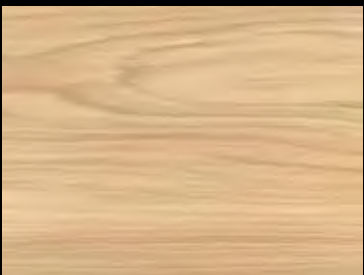
SAN. MAHOGANY

HARDNESS 2200



RED OAK

HARDNESS 1290



HICKORY/PECAN

HARDNESS 1820



BIRCH

HARDNESS 1260



HARD MAPLE

HARDNESS 1450



WALNUT

HARDNESS 1010



WHITE OAK

HARDNESS 1360



SASSAFRAS

HARDNESS 1000



CHERRY  
HARDNESS 950



KNOTTY ALDER  
HARDNESS 590



CURLY MAPLE  
HARDNESS 950



POPLAR  
HARDNESS 540



SOFT MAPLE  
HARDNESS 950



BASSWOOD  
HARDNESS 410



HON. MAHOGANY  
HARDNESS 800



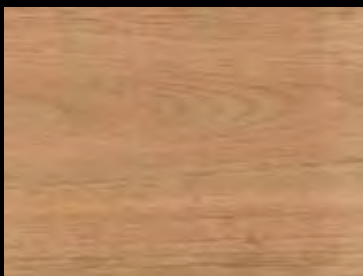
KNOTTY PINE  
HARDNESS 380



AFR. MAHOGANY  
HARDNESS 800

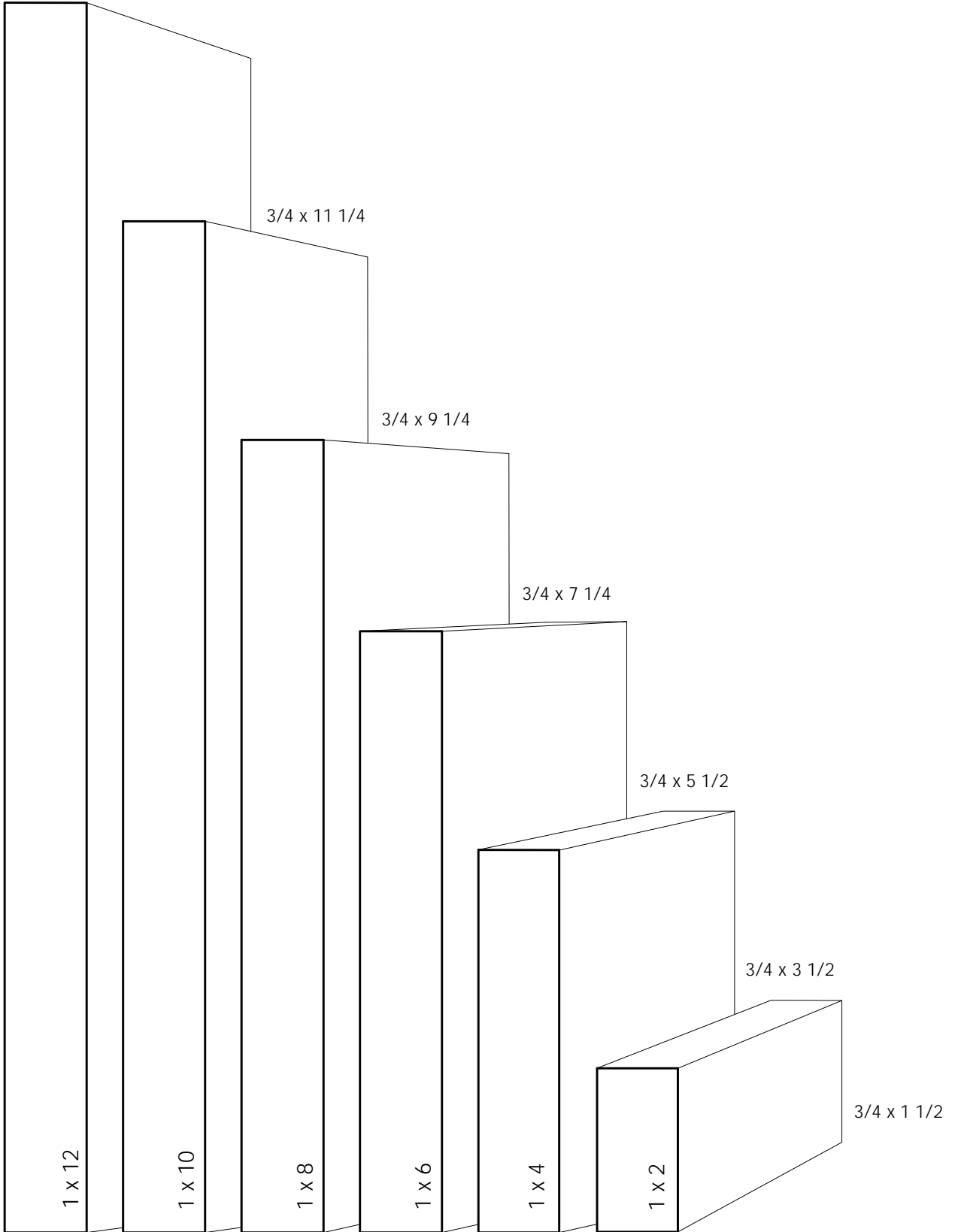


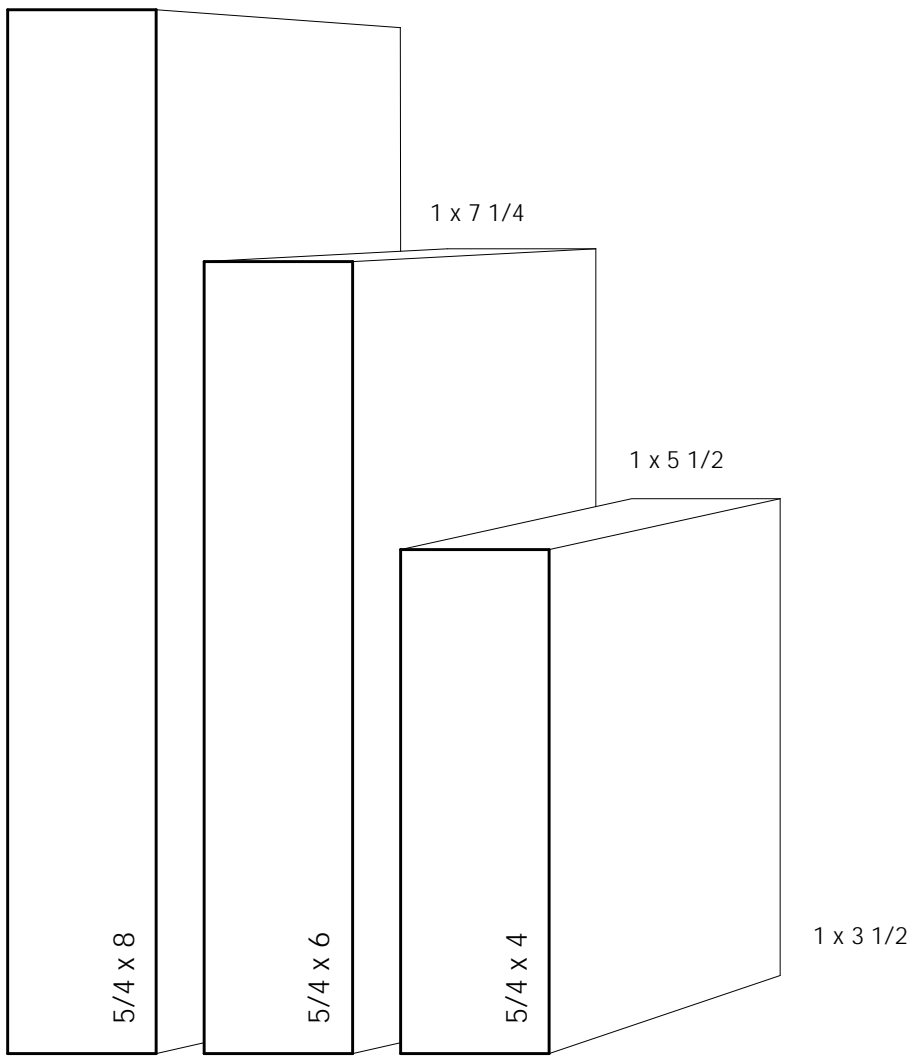
CLEAR PINE  
HARDNESS 380



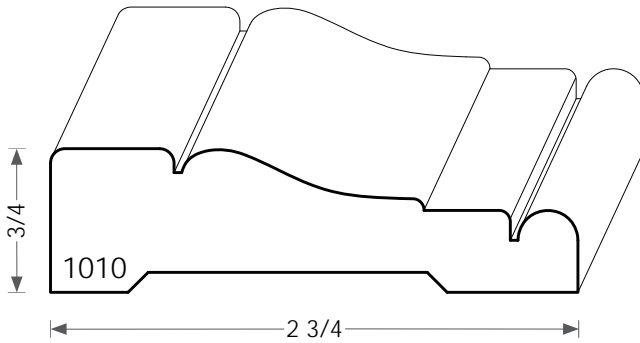
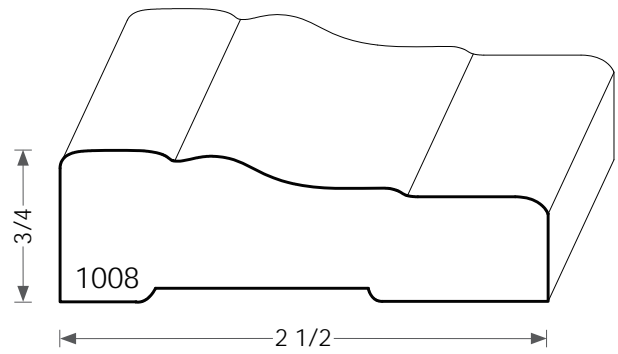
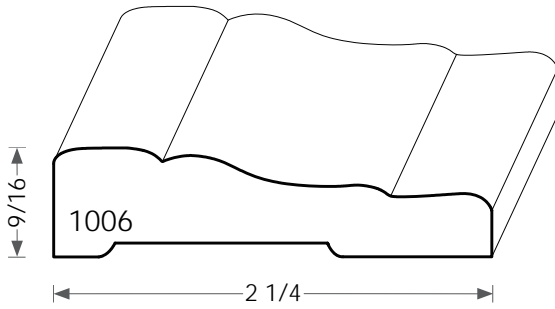
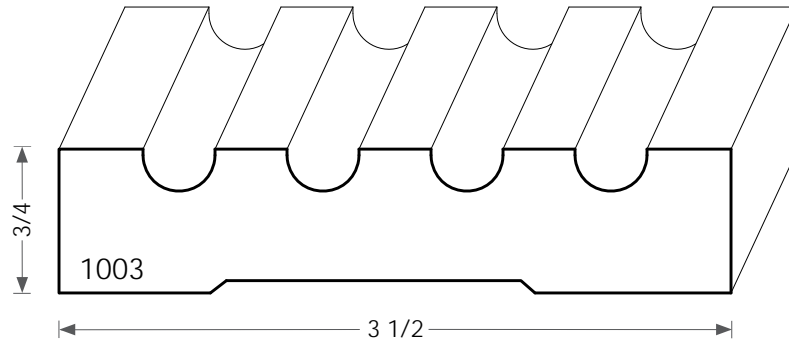
SPANISH CEDAR  
HARDNESS 600

S4S  
IN-STOCK

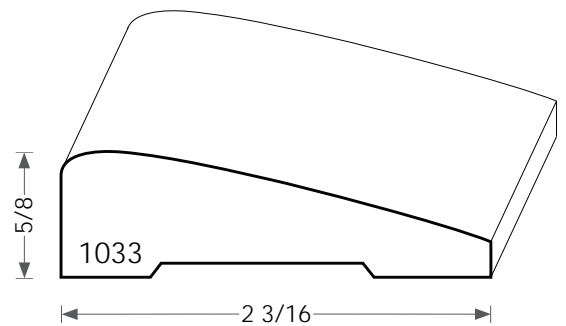
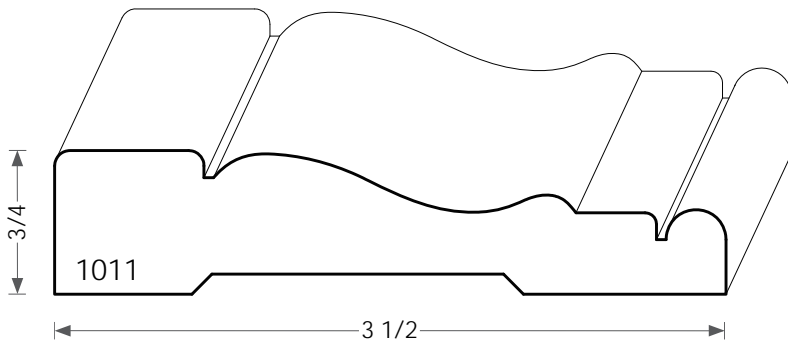




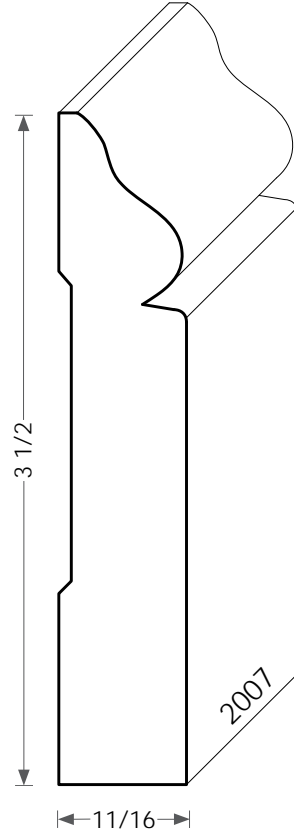
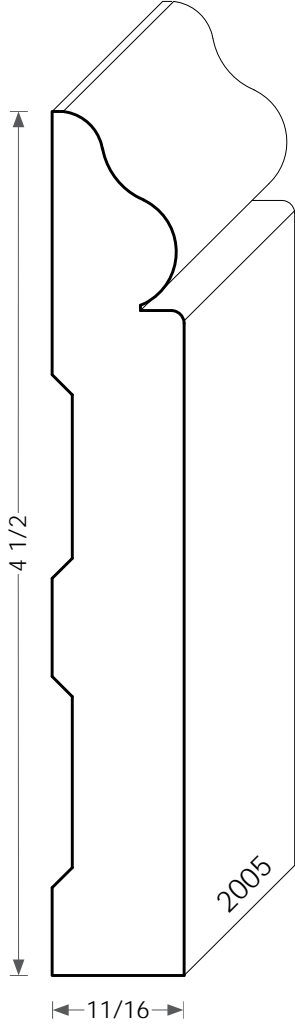
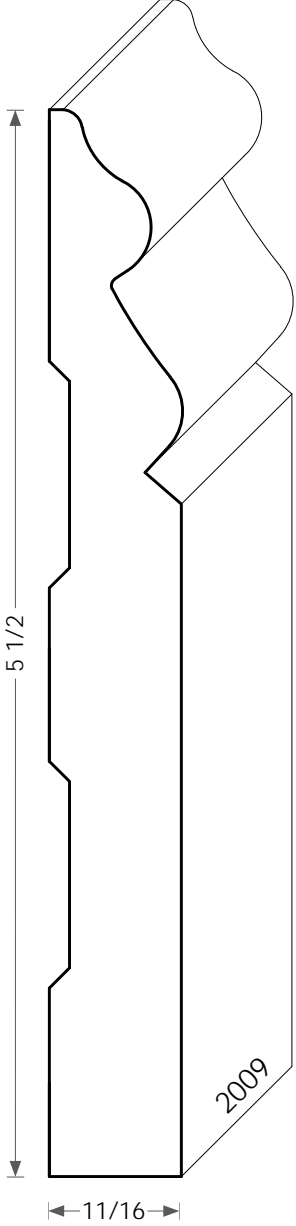
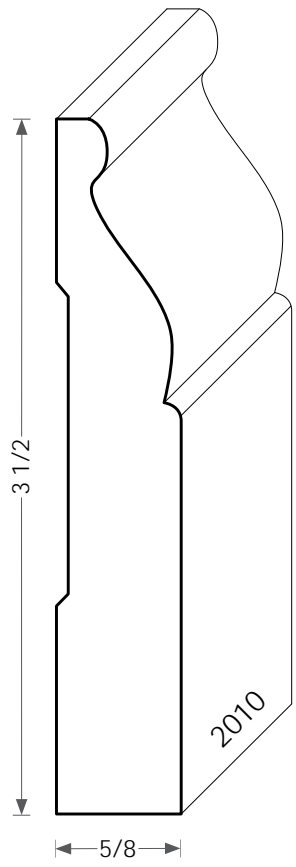
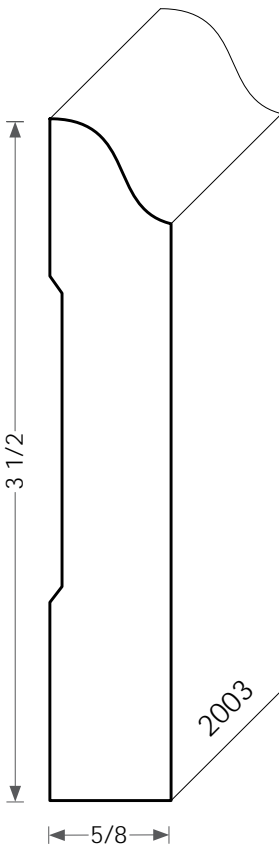
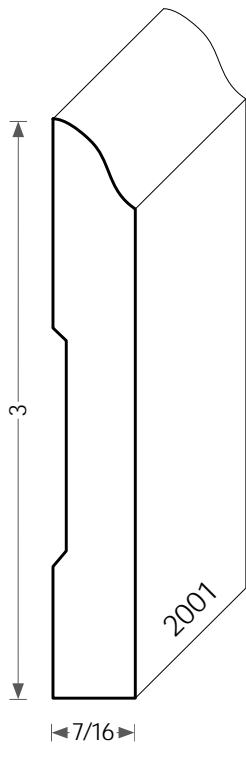
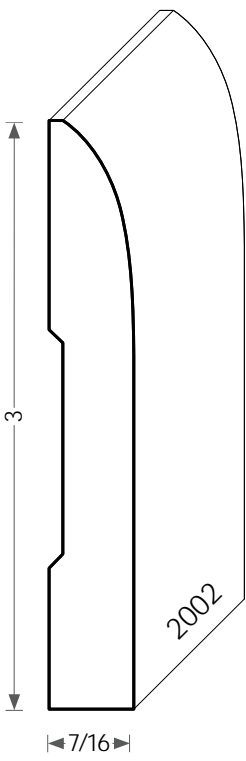
CASING  
IN-STOCK



MOULDINGS ARE INVENTORIED IN POPLAR AND RED OAK IN LENGTHS UP TO 16'. PROFILE DESIGNS 1010, 1011, 2005, 2007 AND S4S ARE ALSO INVENTORIED IN MAPLE.



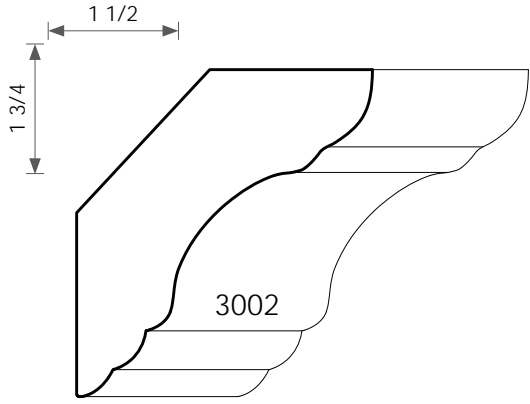
BASEBOARD  
IN-STOCK



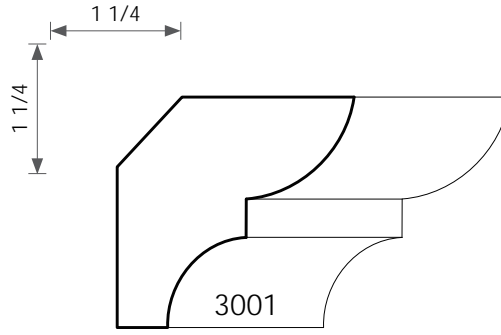


CROWN

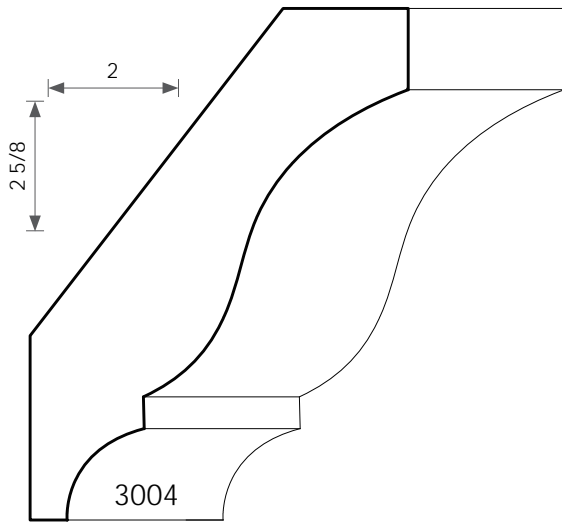
IN-STOCK



3/4T X 2-3/8W

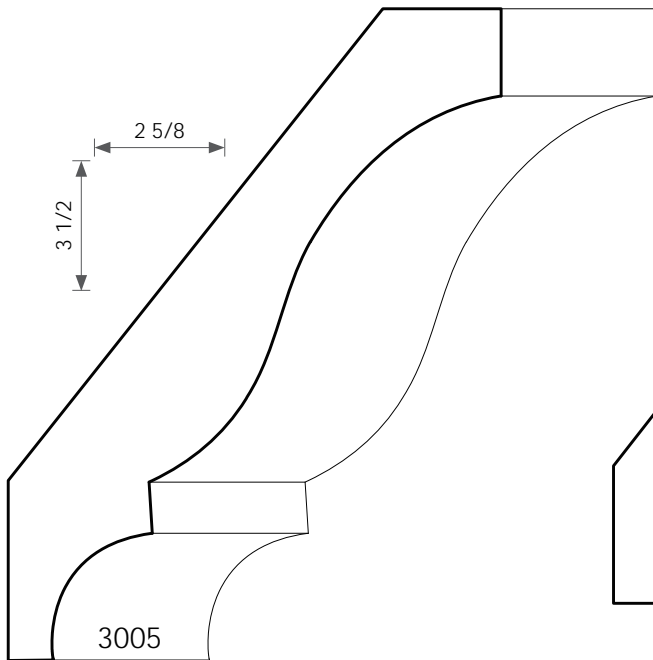


3/4T X 1-3/4W

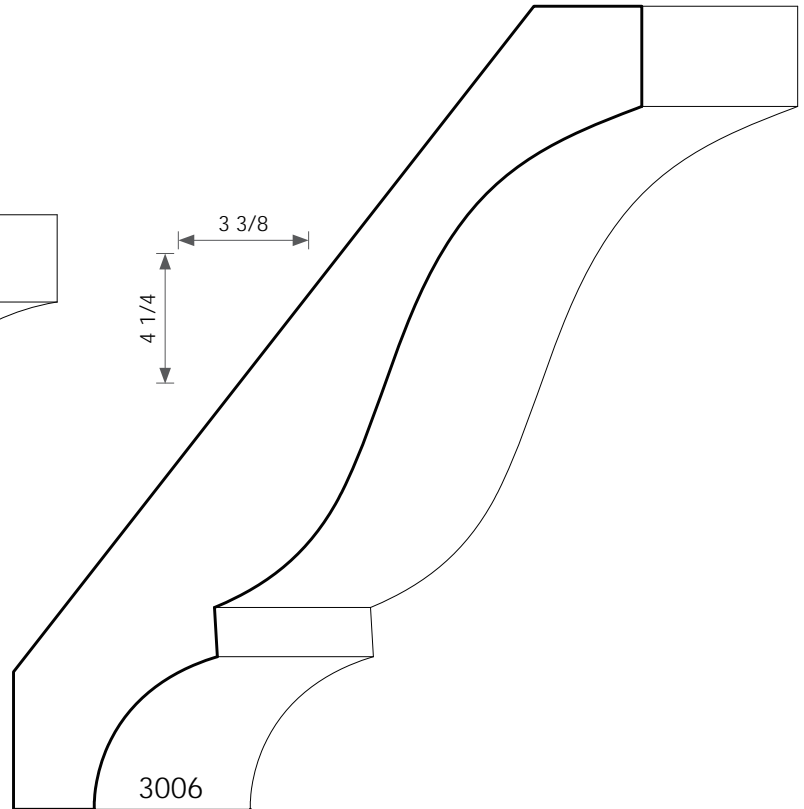


3/4T X 3-1/4W

CROWN MEASURES FARTHEST LENGTH AND WIDTH.

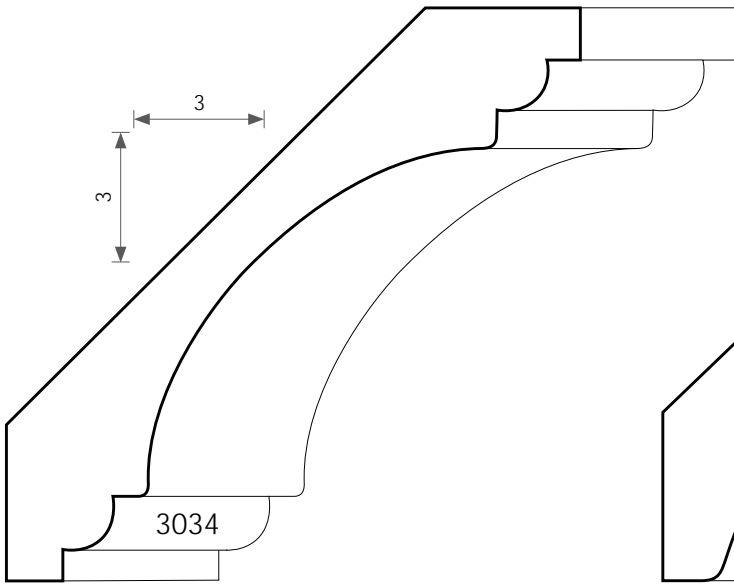


3/4T X 4-1/4W



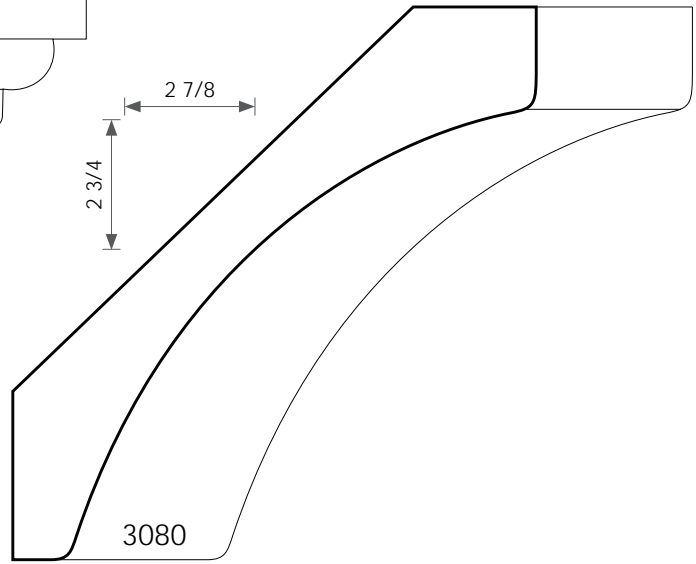
3/4T X 5-1/4W

CROWN  
IN-STOCK



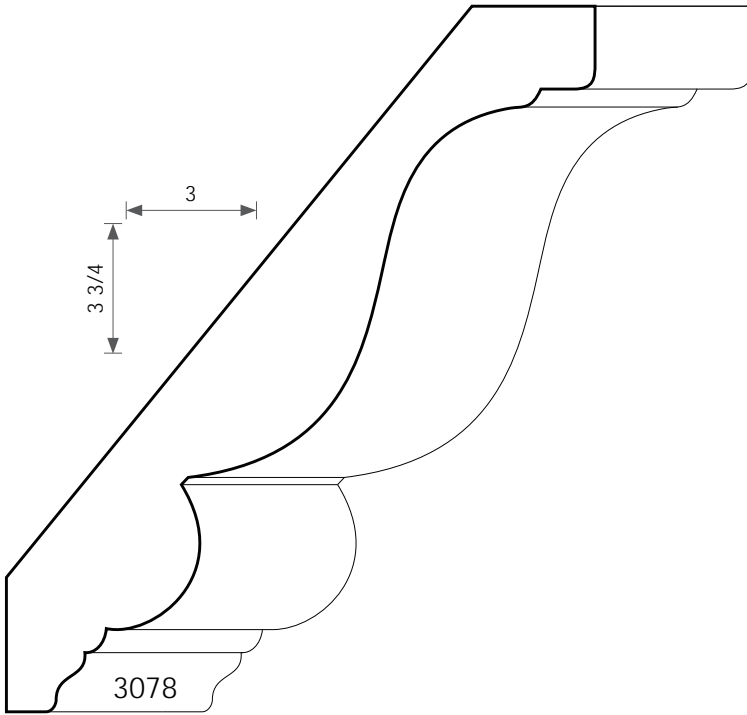
3/4T X 4-3/16W

3034



3/4T X 4W

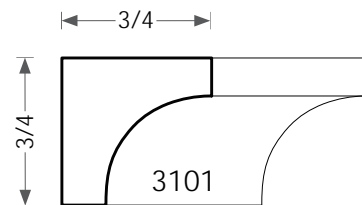
3080



3/4T X 4-3/4W

3078

MOULDINGS ARE INVENTORIED  
IN POPLAR AND RED OAK IN  
LENGTHS UP TO 16'. PROFILE  
DESIGNS 3001, 3002, 3004, AND  
3101 ARE ALSO INVENTORIED IN  
MAPLE.

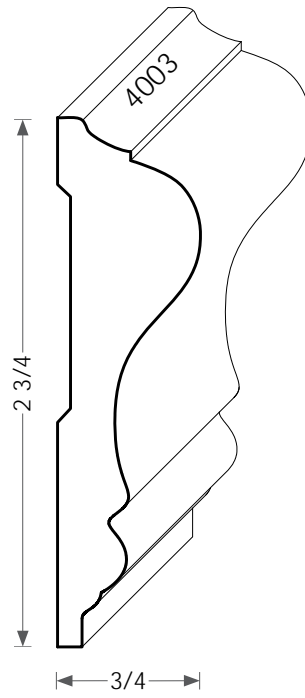
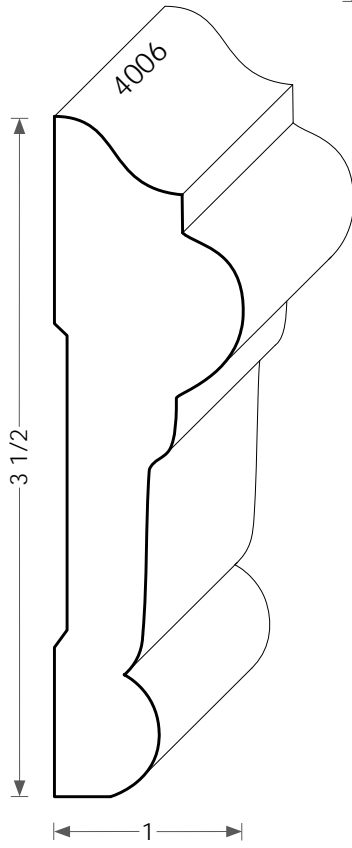
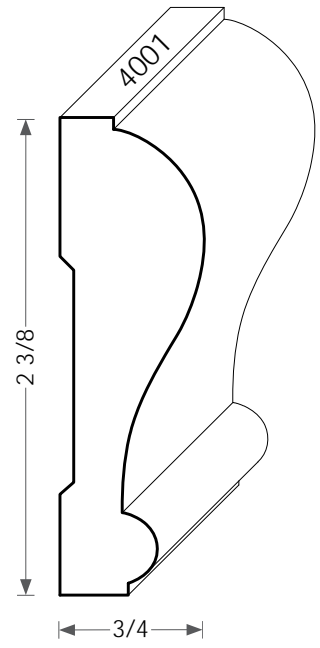
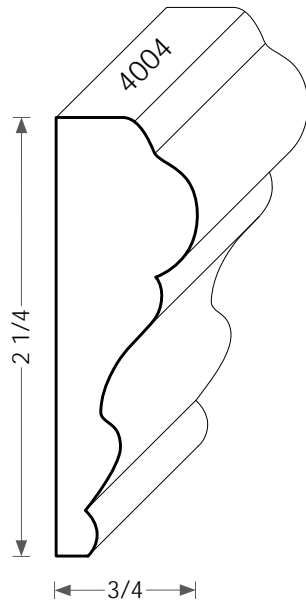
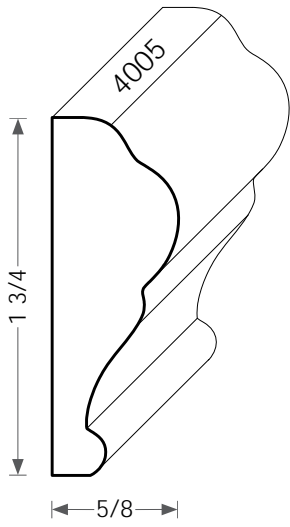


3101

COVER  
IN-STOCK

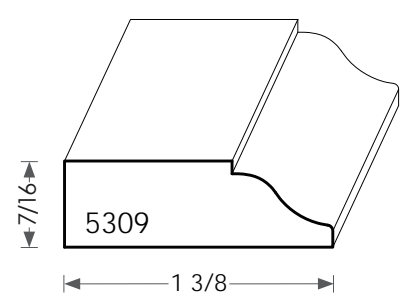
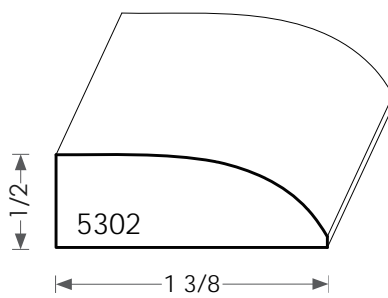
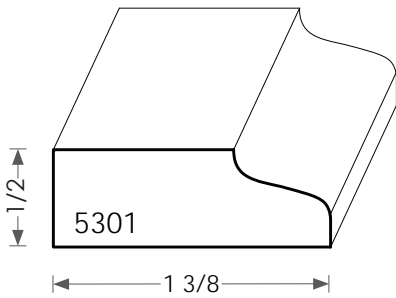
# CHAIR RAIL

IN-STOCK



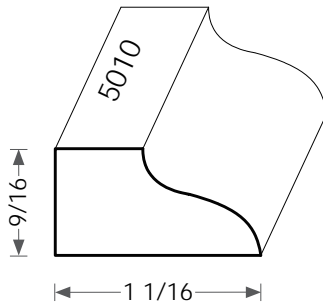
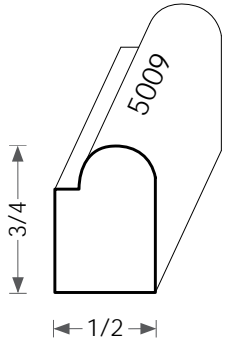
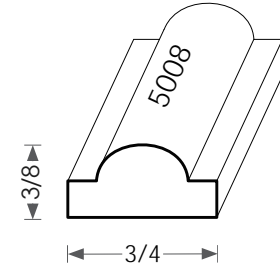
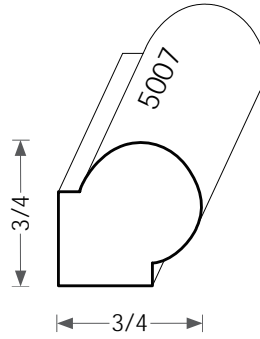
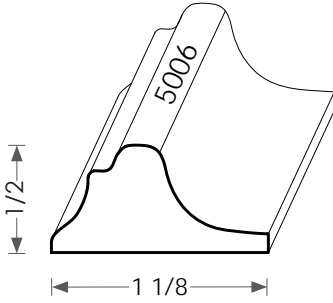
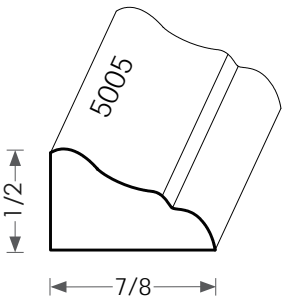
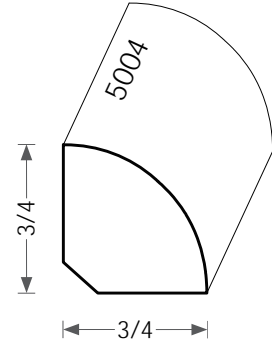
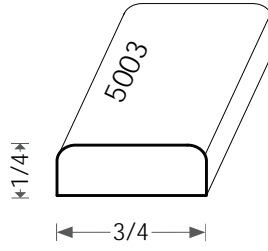
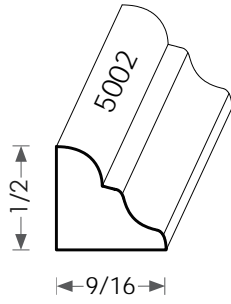
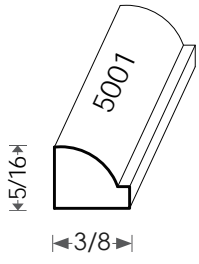
# DOOR STOP

IN-STOCK

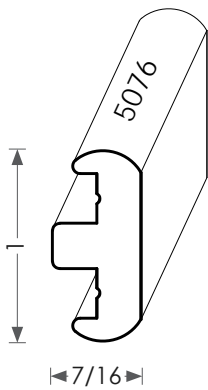


# SMALL MOULDINGS

IN-STOCK

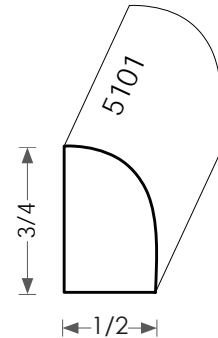
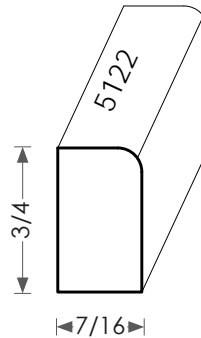


MOULDINGS ARE INVENTORIED IN POPLAR AND RED OAK IN LENGTHS UP TO 16'. PROFILE DESIGNS 5001, 5002, 5003, 5004, 5005, 5006, 5007, 5008, 5009, 5010, 5101 AND 5301 ARE ALSO INVENTORIED IN MAPLE.



SHELF EDGE  
IN-STOCK

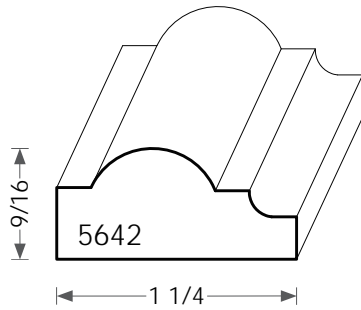
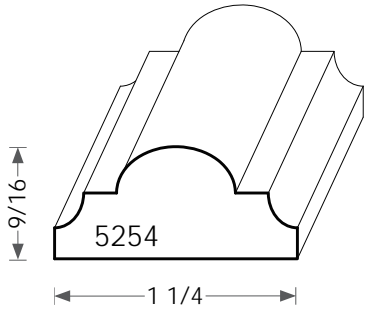
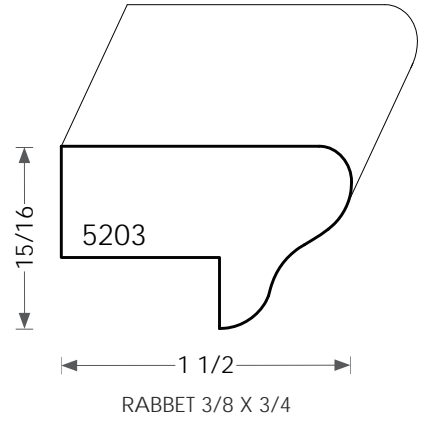
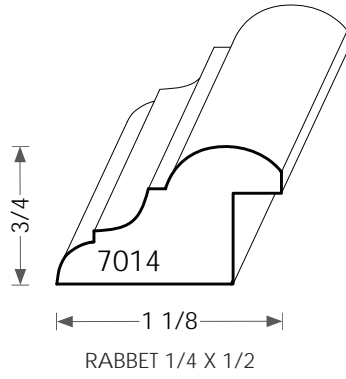
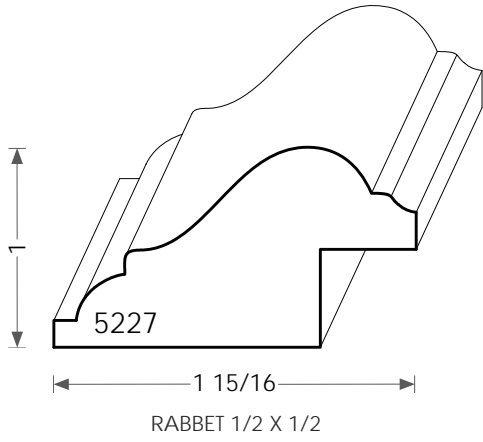
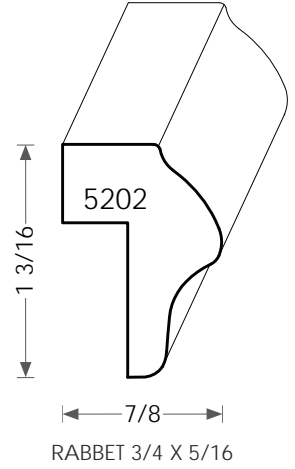
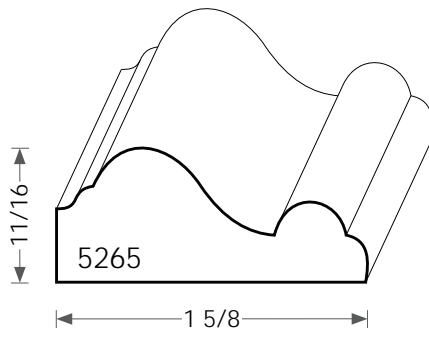
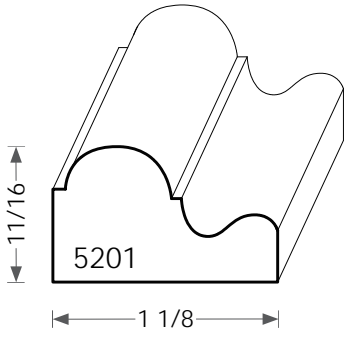
RABBET 1/4 X 1/4



SHOE  
IN-STOCK

PANEL MOLD

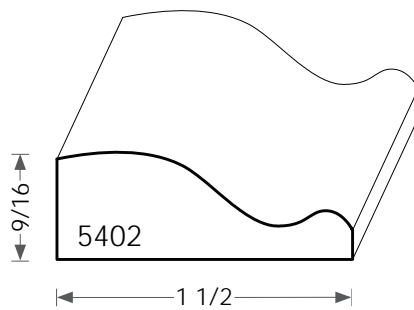
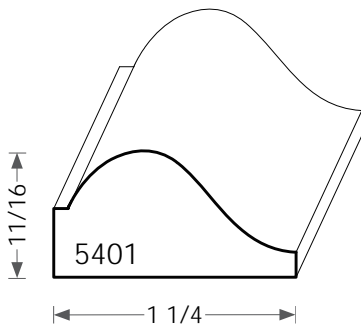
IN-STOCK



MOULDINGS ARE INVENTORIED IN POPLAR AND RED OAK IN LENGTHS UP TO 16'. PROFILE DESIGNS 5201, 5202, 5203, 5401, AND 5402 ARE ALSO INVENTORIED IN MAPLE.

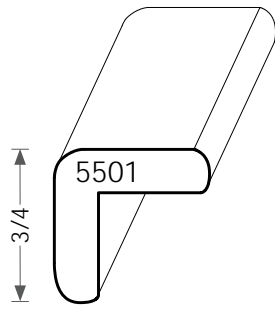
BASE CAP

IN-STOCK

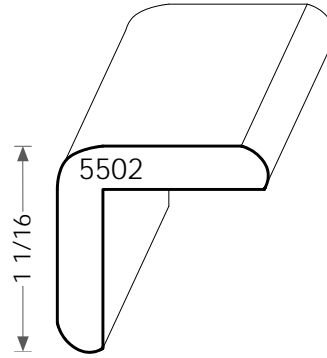


OUTSIDE CORNER

IN-STOCK



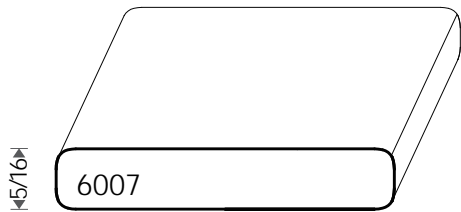
5501  
RABBET 9/16 X 9/16



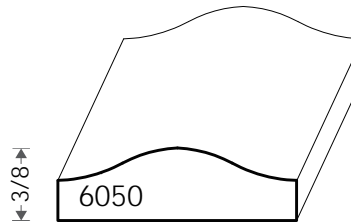
5502  
RABBET 7/8 X 7/8

FILLET

IN-STOCK



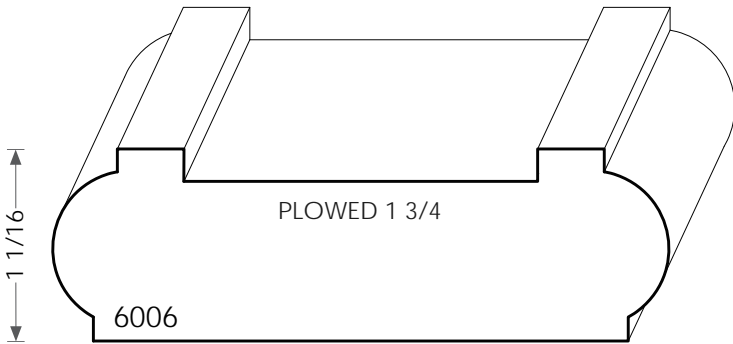
6007  
1 3/4



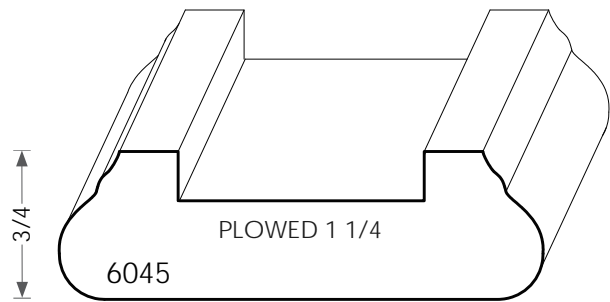
6050  
1 1/4

SHOERAIL

IN-STOCK

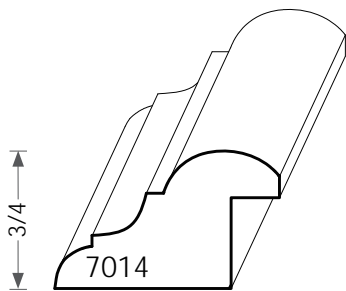


6006  
3 1/8

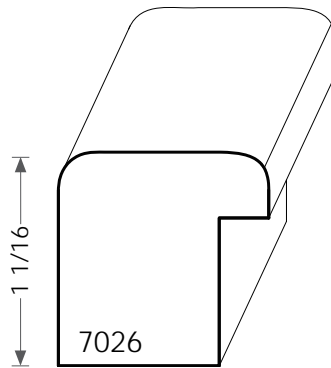


6045  
2 1/2

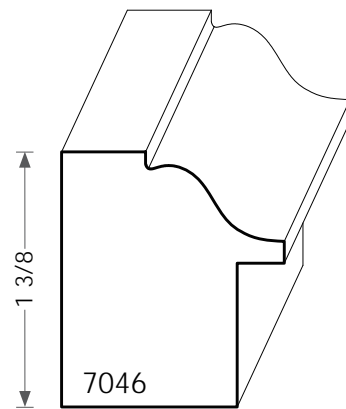
MOULDINGS ARE INVENTORIED  
IN POPLAR AND RED OAK (7026  
AND 7046 ARE NOT INVENTORIED  
IN RED OAK).



7014  
RABBET 1/4 X 1/2



7026  
RABBET 1/4 X 3/4



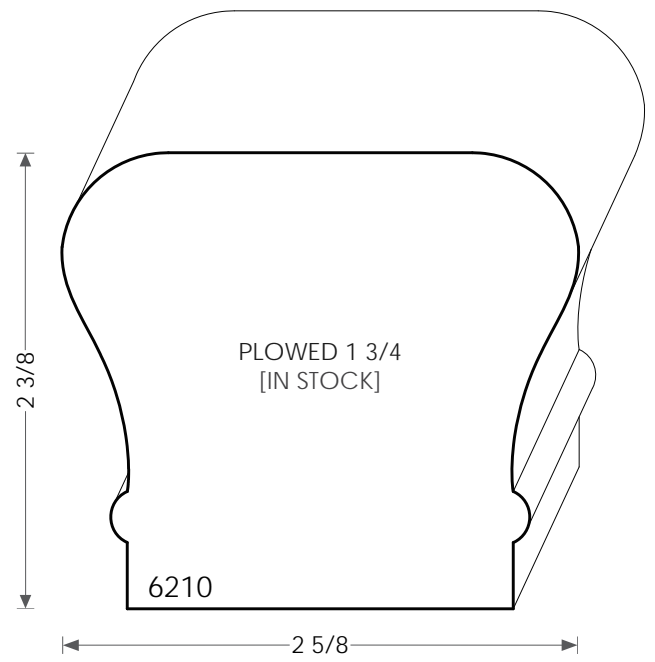
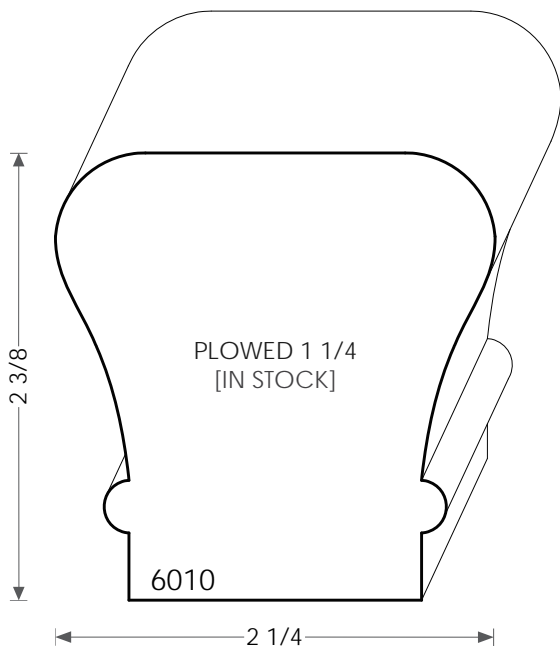
7046  
RABBET 1/4 X 3/4

BACKBAND

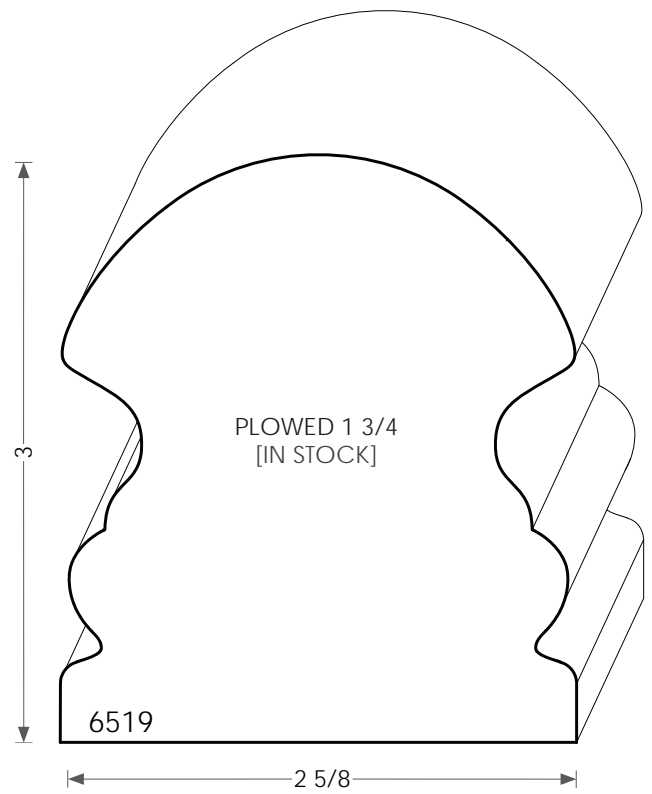
IN-STOCK

# HANDRAIL

IN-STOCK

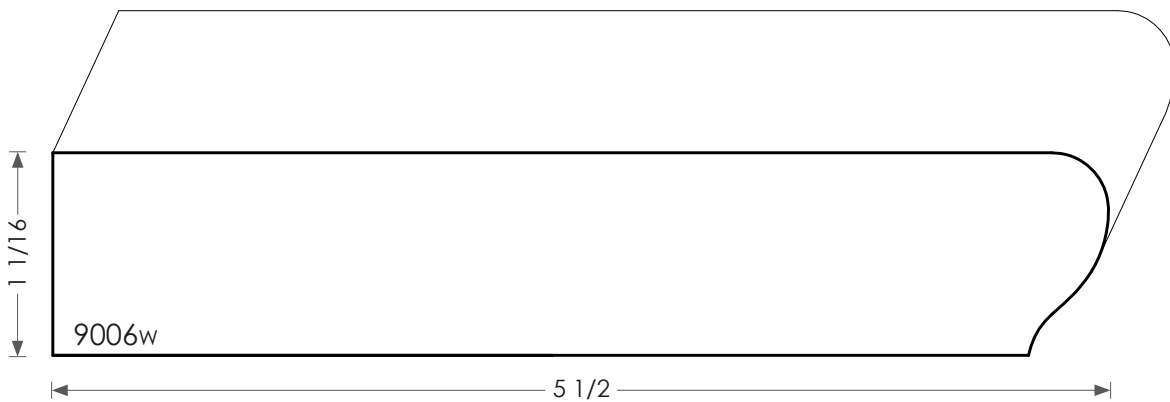
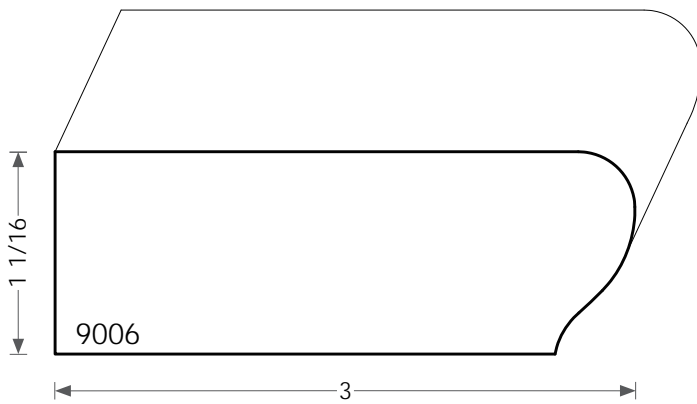
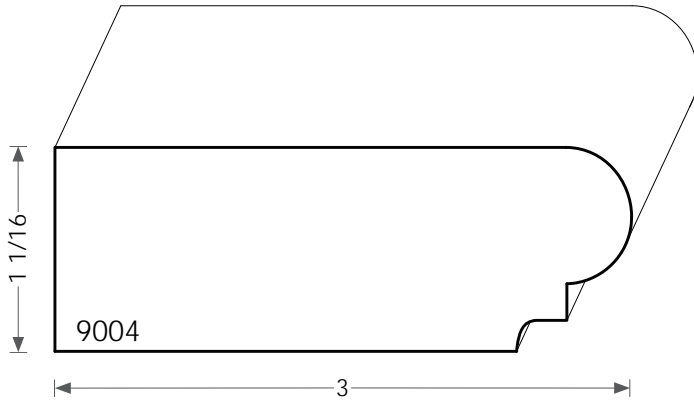


MOULDINGS ARE INVENTORIED  
IN POPLAR AND RED OAK IN  
LENGTHS UP TO 16'. PROFILE  
DESIGNS 6010 AND 6210 ARE  
ALSO INVENTORIED IN MAPLE.



WINDOW SILL  
IN-STOCK

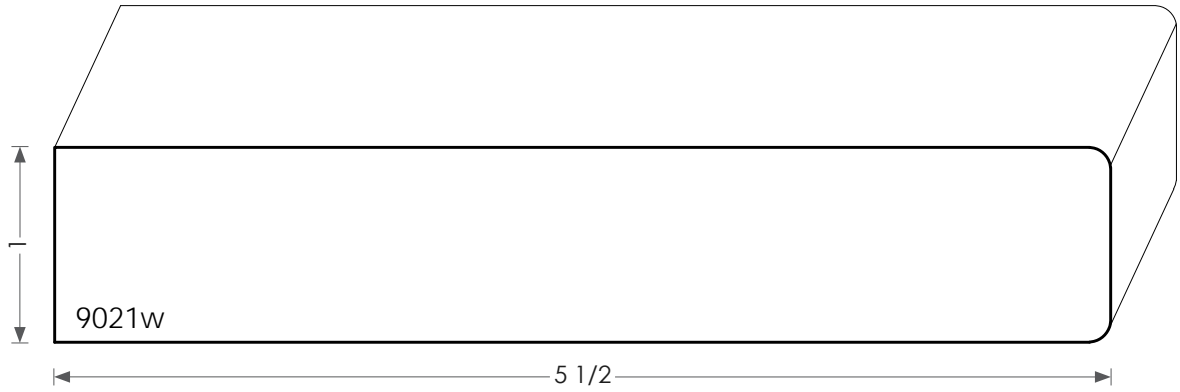
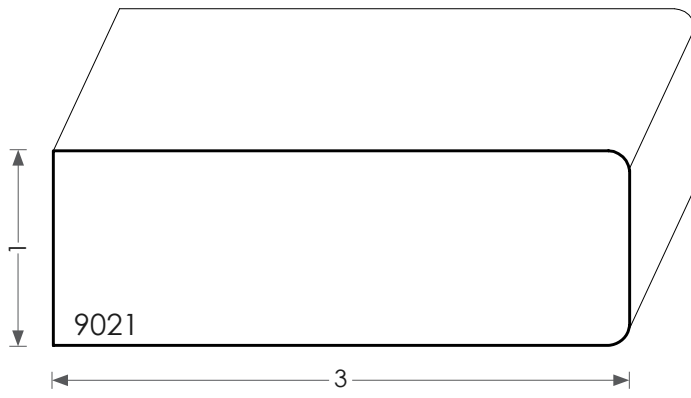
MOULDINGS ARE INVENTORIED  
IN POPLAR AND RED OAK IN  
LENGTHS UP TO 16'.





WINDOW SILL

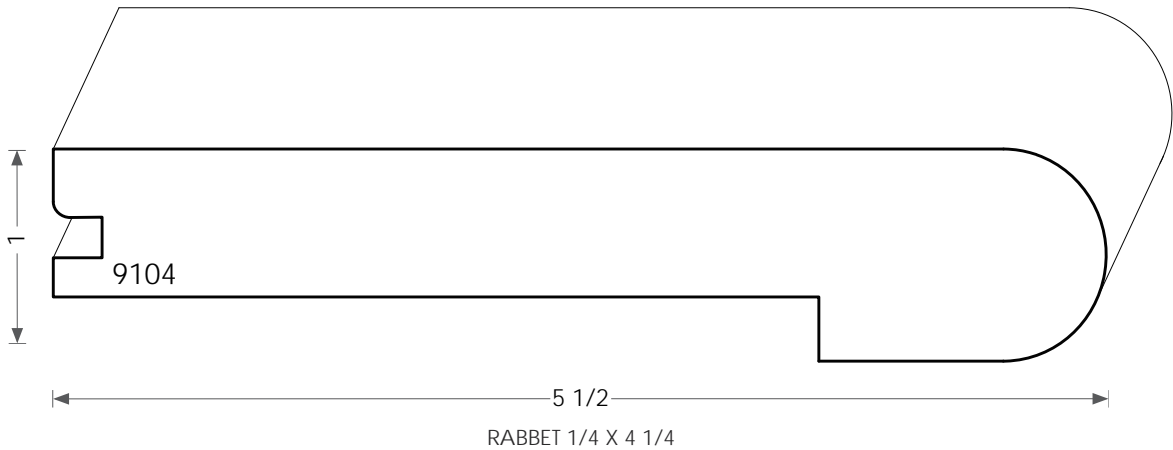
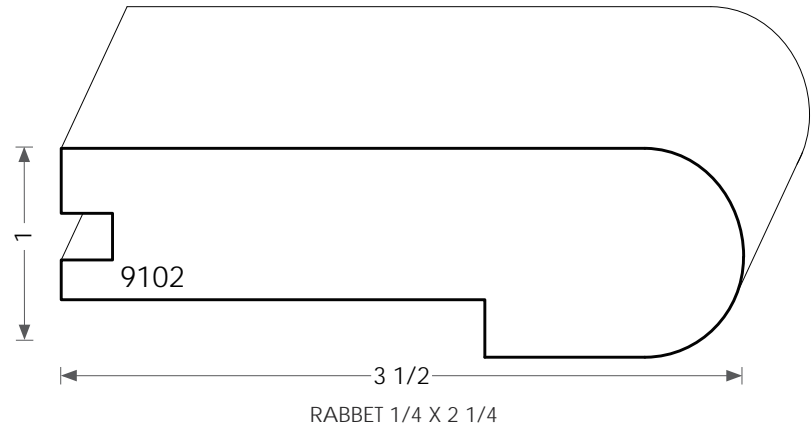
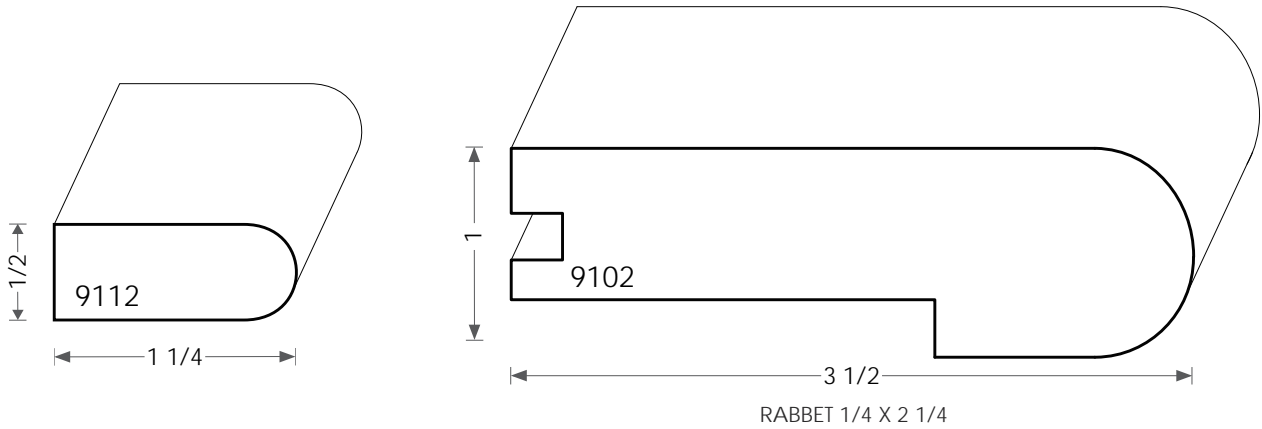
IN-STOCK



MOULDINGS ARE INVENTORIED  
IN POPLAR AND RED OAK IN  
LENGTHS UP TO 16'. PROFILE  
DESIGNS 9102 AND 9104 ARE  
ALSO INVENTORIED IN MAPLE.

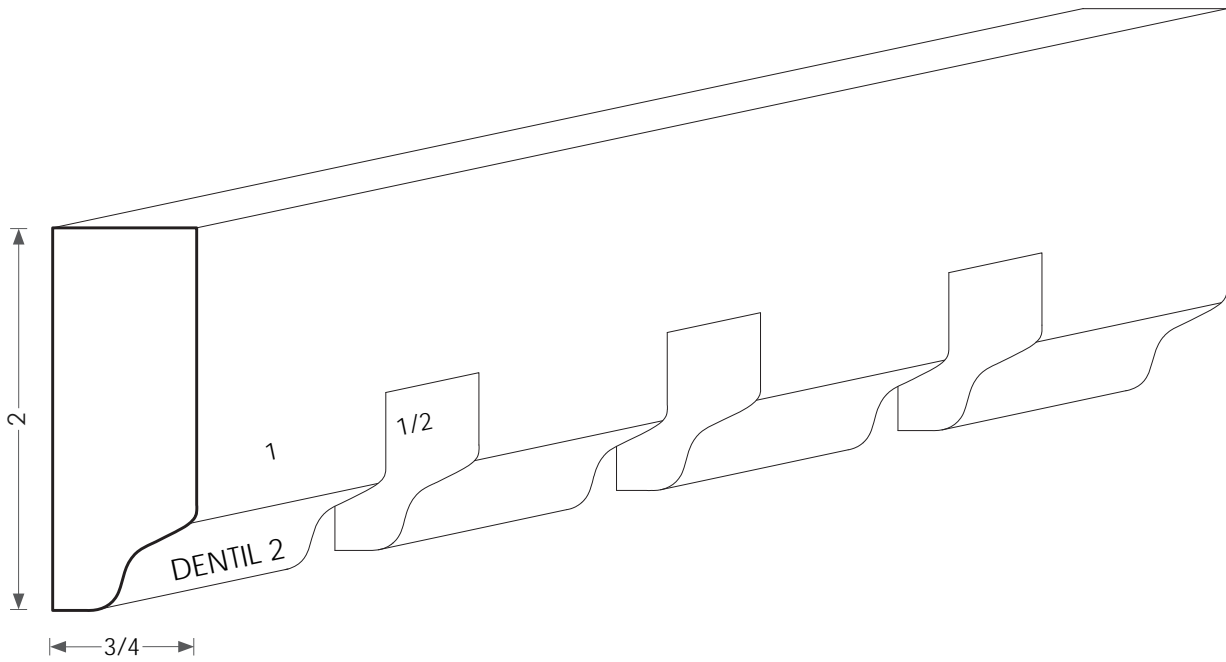
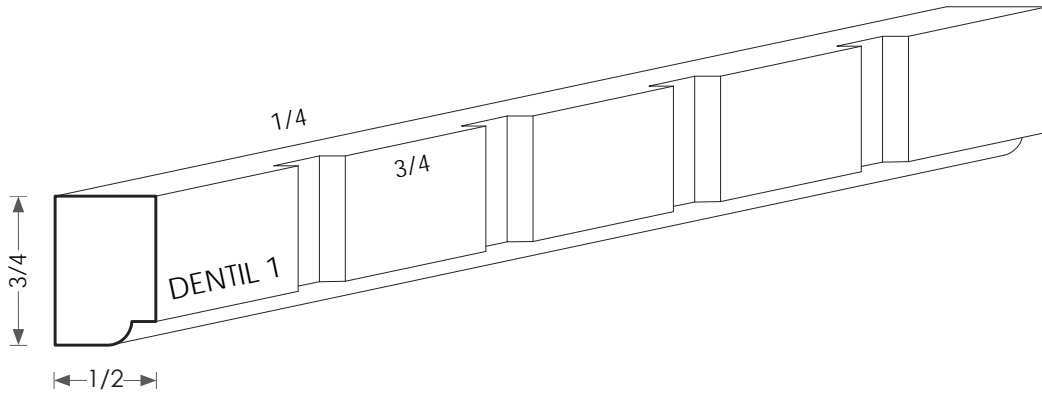
NOSING

IN-STOCK



## DENTIL MOULDINGS

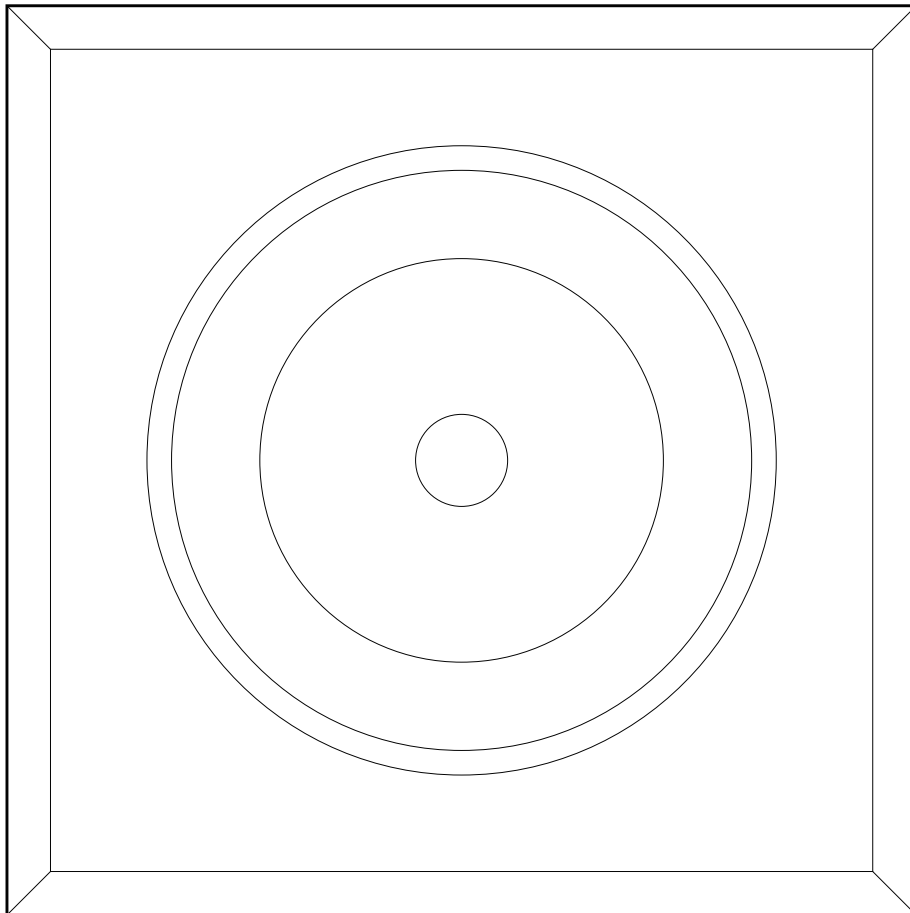
Shown below are the two styles of dentil mold that we inventory in Poplar and Red Oak. Custom sizes are available.



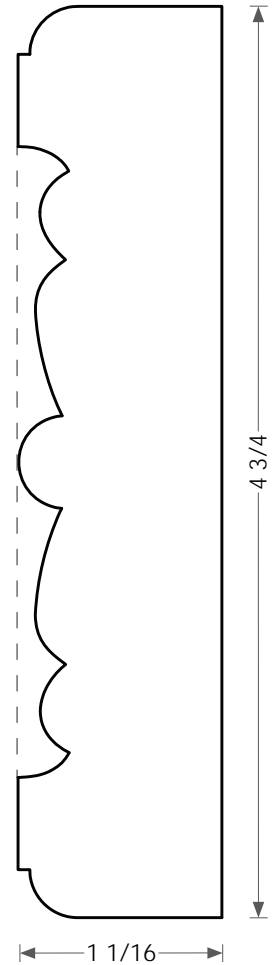
## ROSETTE AND PLINTH BLOCKS

We inventory the Rosette sizes and styles shown in Poplar, Red Oak, and Maple. We can also create a custom design of your choosing. Plinth blocks are also inventoried in matching widths and thicknesses.

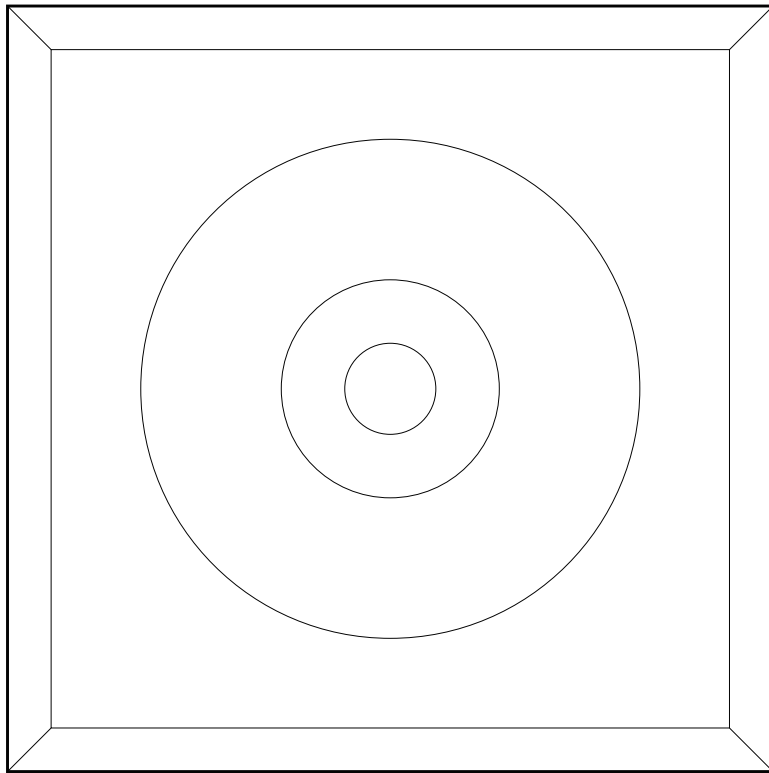
Style	Width	Thickness
1	4 3/4	1 1/16
	5 3/4	1 1/16
2	3 3/4	1 1/16
	4	1 1/16
3	2 3/4	15/16



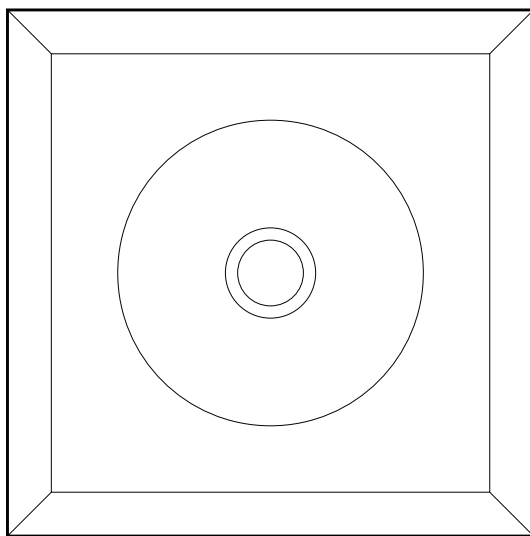
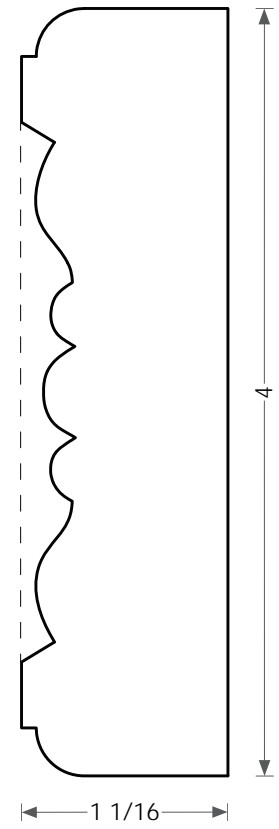
STYLE 1 ROSETTE



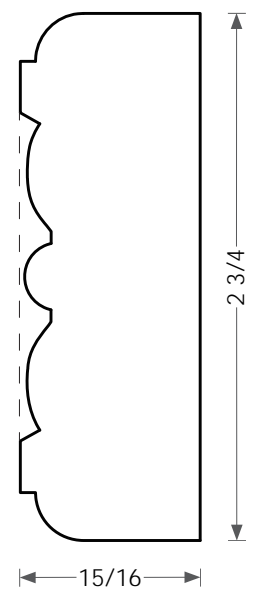
ROSETTE AND PLINTH  
IN-STOCK



STYLE 2 ROSETTE



STYLE 3 ROSETTE



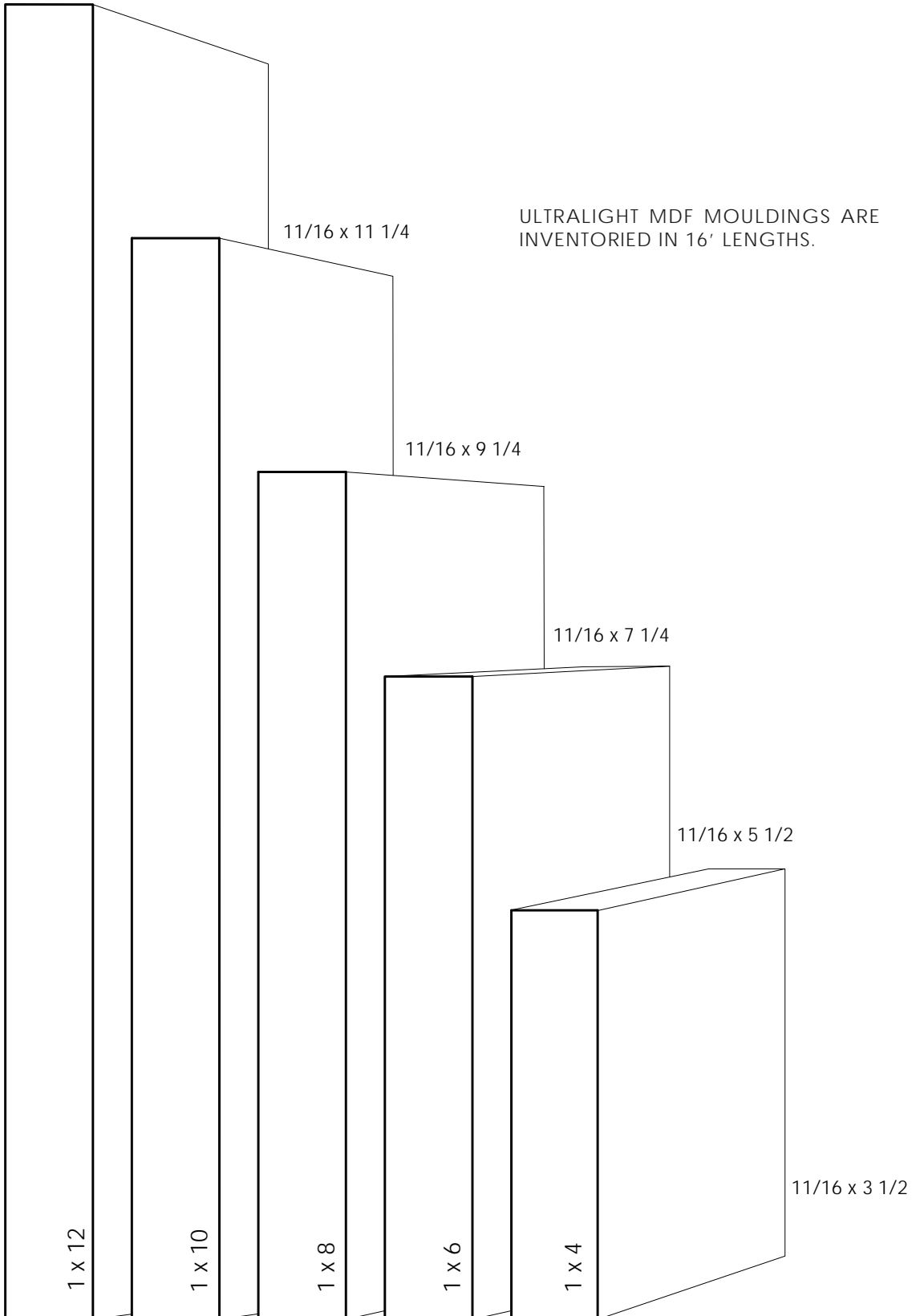
## ULTRALIGHT MDF

Ultralight Medium Density Fiberboard (MDF), composed of wood fibers from Radiata Pine combined with a synthetic resin and wax, is an ecologically sound product and an excellent substitute for solid wood mouldings.

For more information, read our MDF section toward the back of the book.

**MDF S4S**  
IN-STOCK

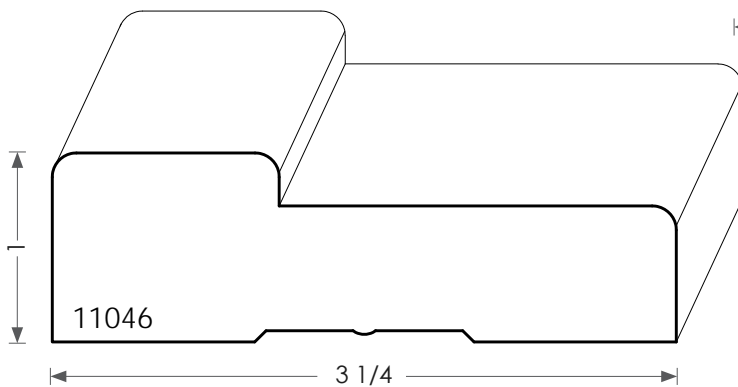
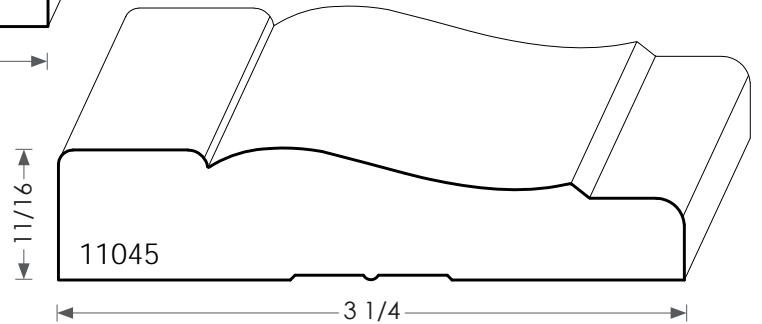
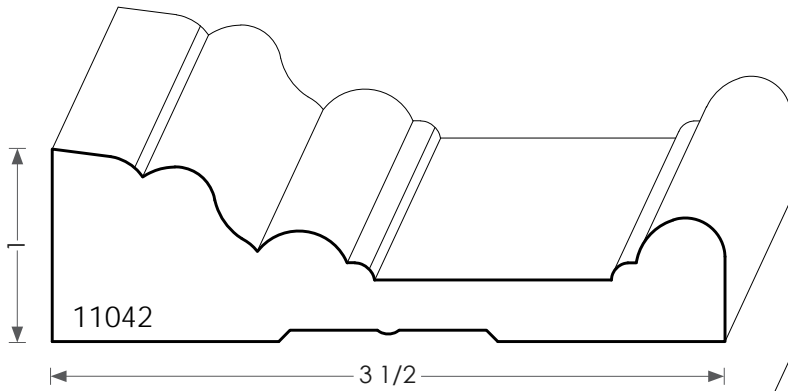
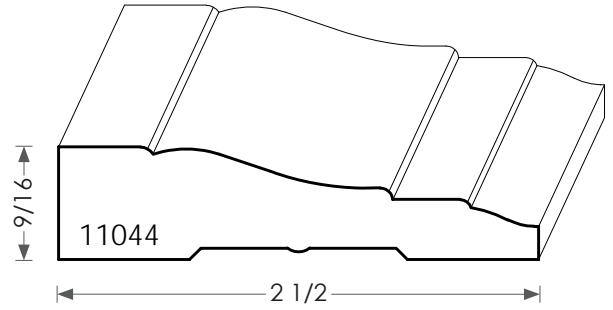
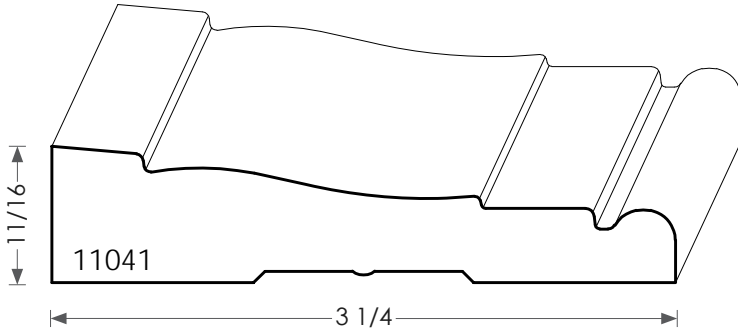
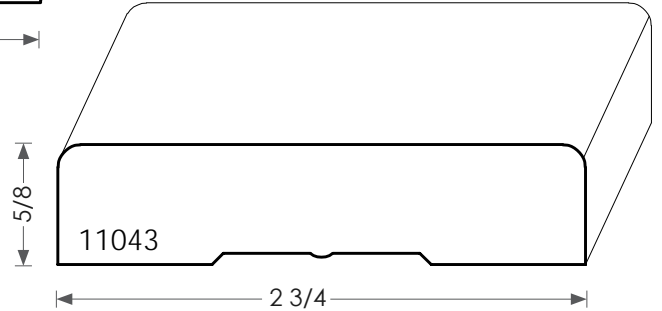
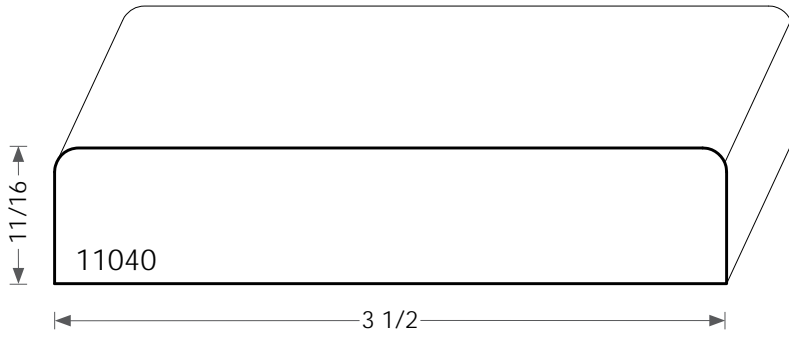
ULTRALIGHT MDF MOULDINGS ARE  
INVENTORIED IN 16' LENGTHS.



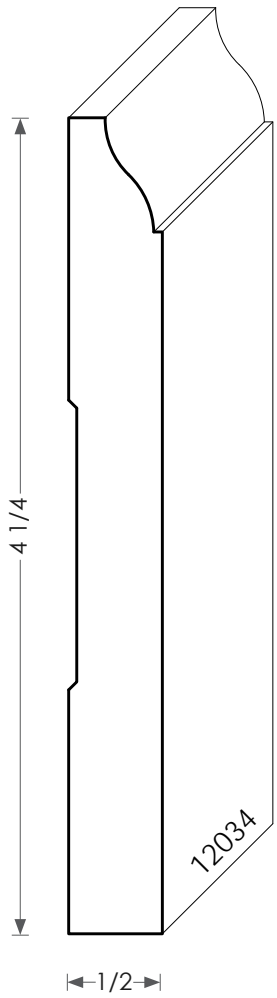
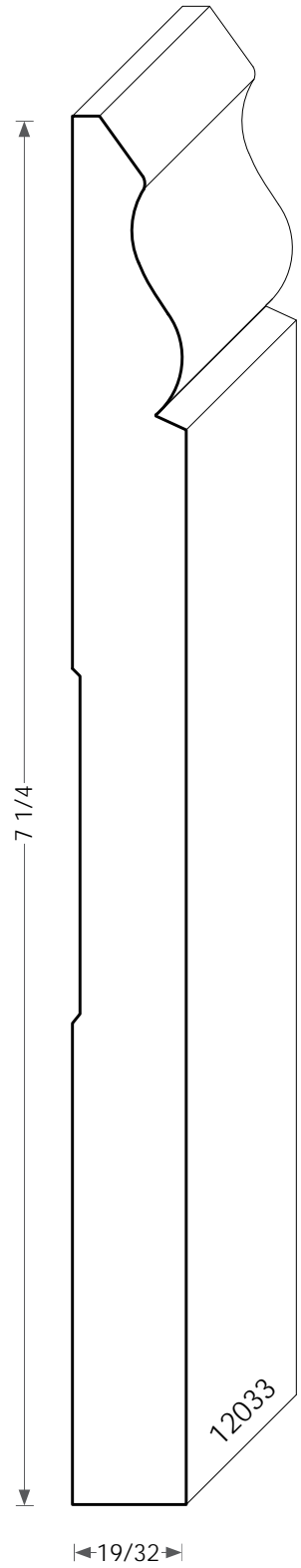
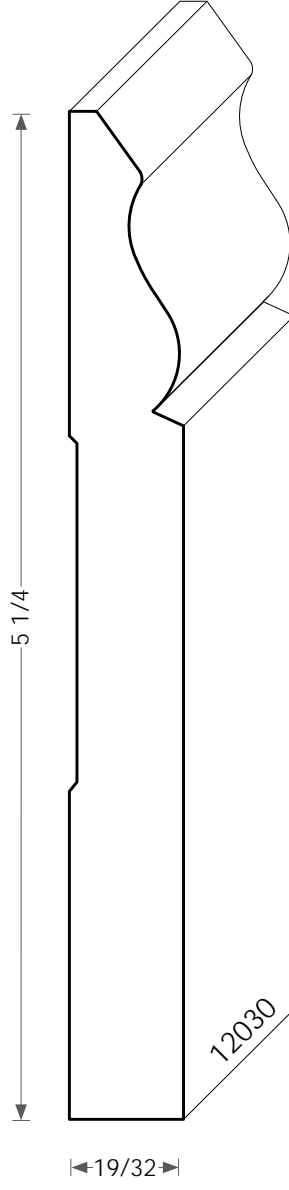
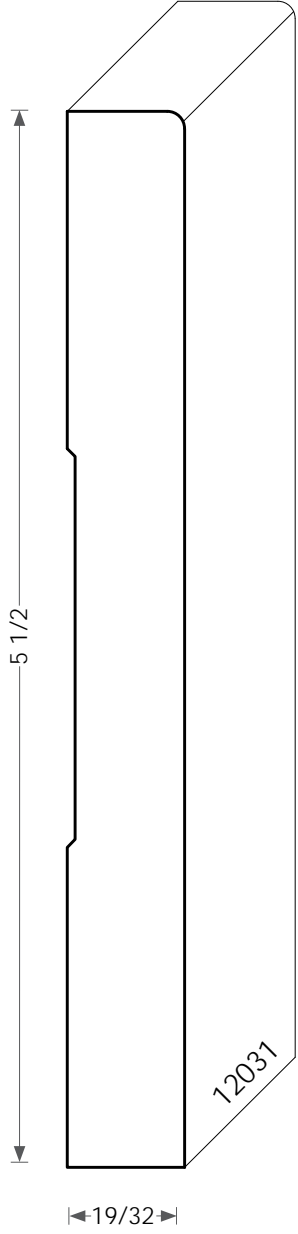
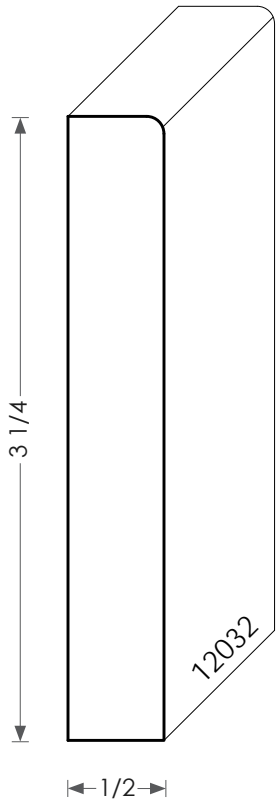
MDF CASING

IN-STOCK

ULTRALIGHT MDF MOULDINGS ARE INVENTORIED IN 16' LENGTHS.



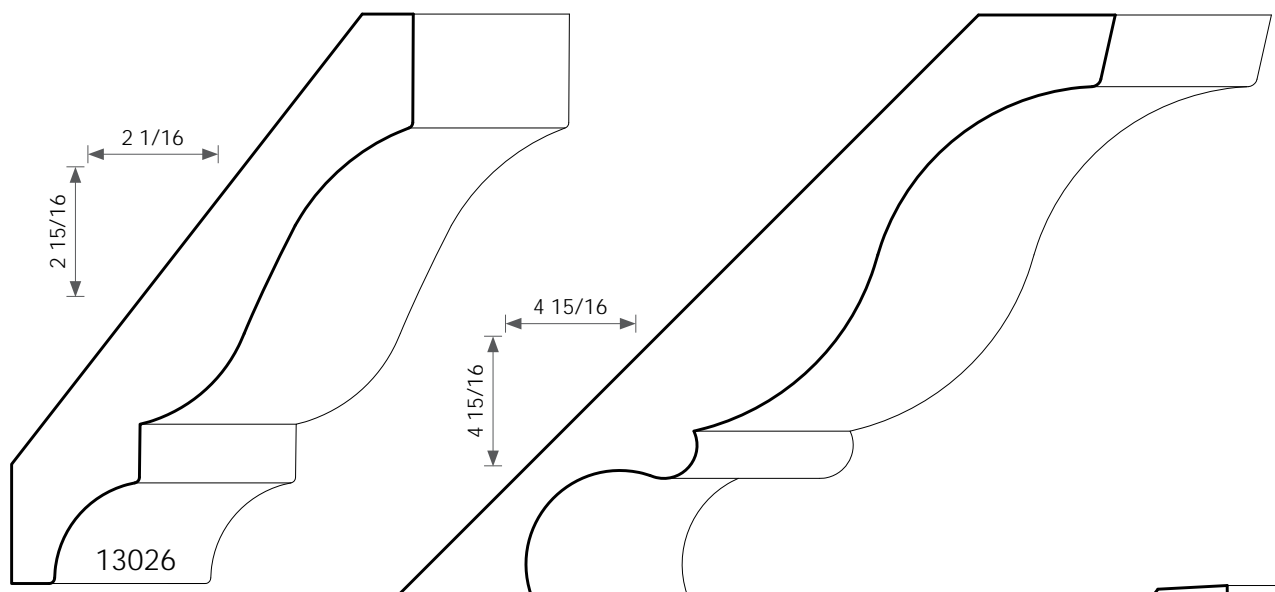
MDF BASEBOARD  
IN-STOCK



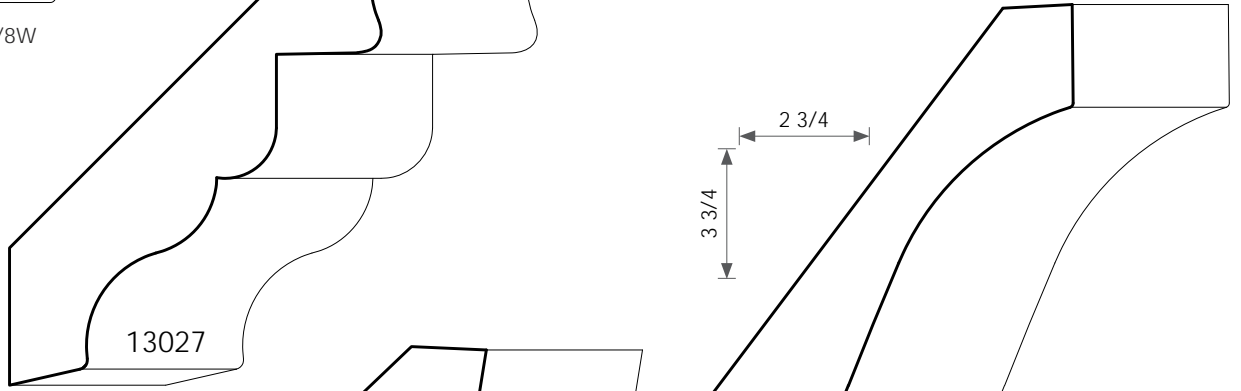


# MDF CROWN

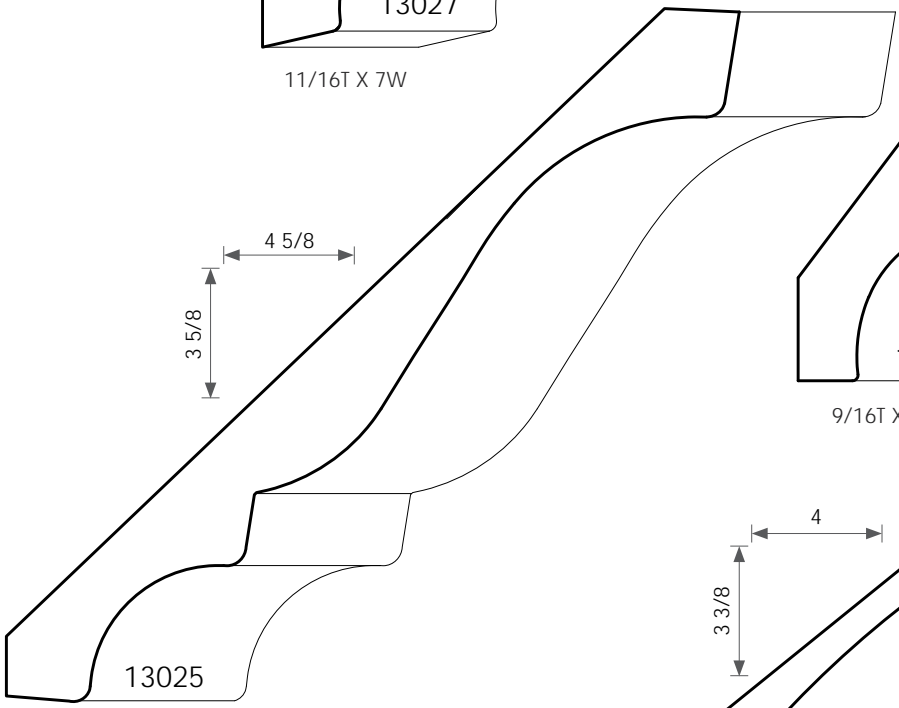
IN-STOCK



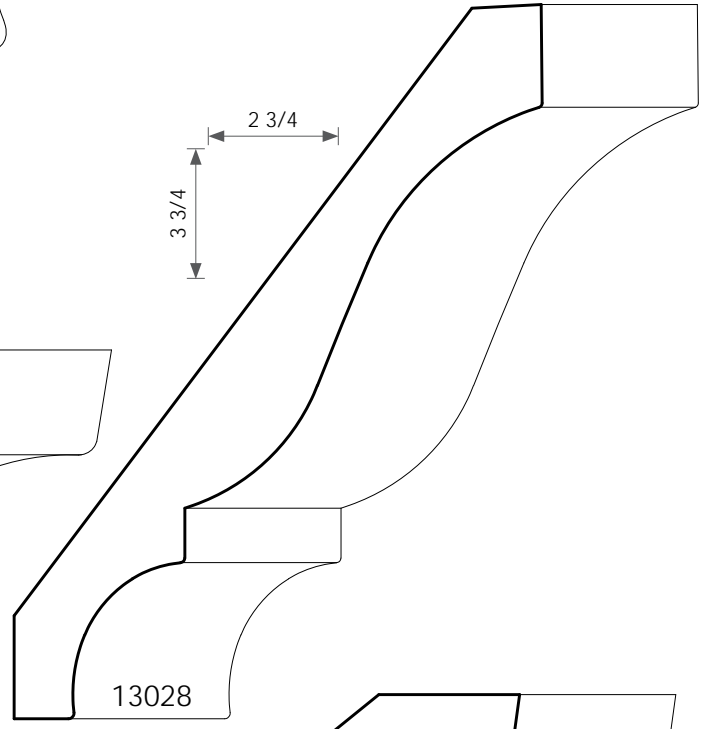
19/32T X 3-5/8W



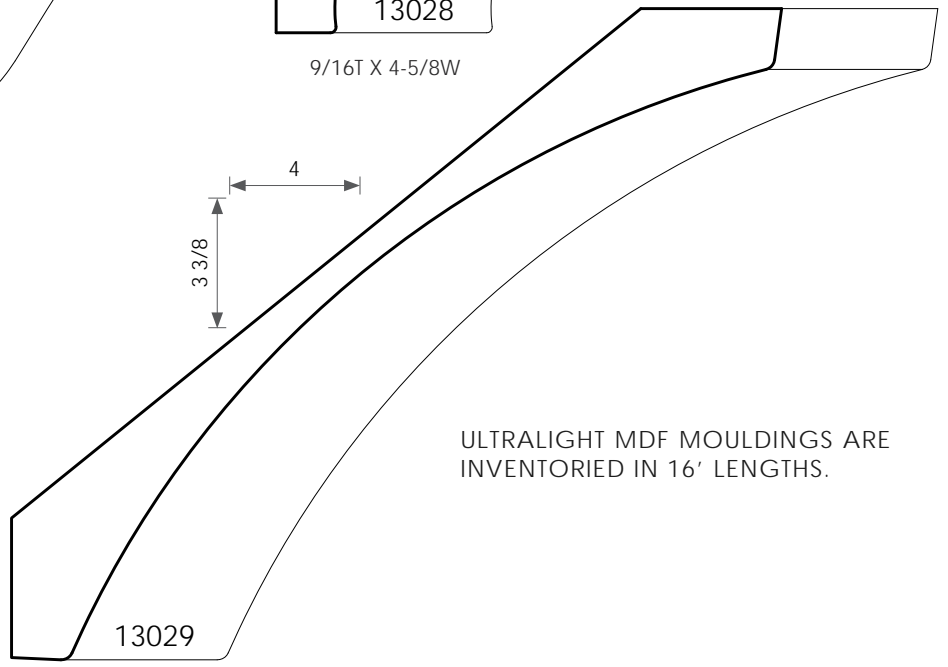
11/16T X 7W



19/32T X 5-1/4W



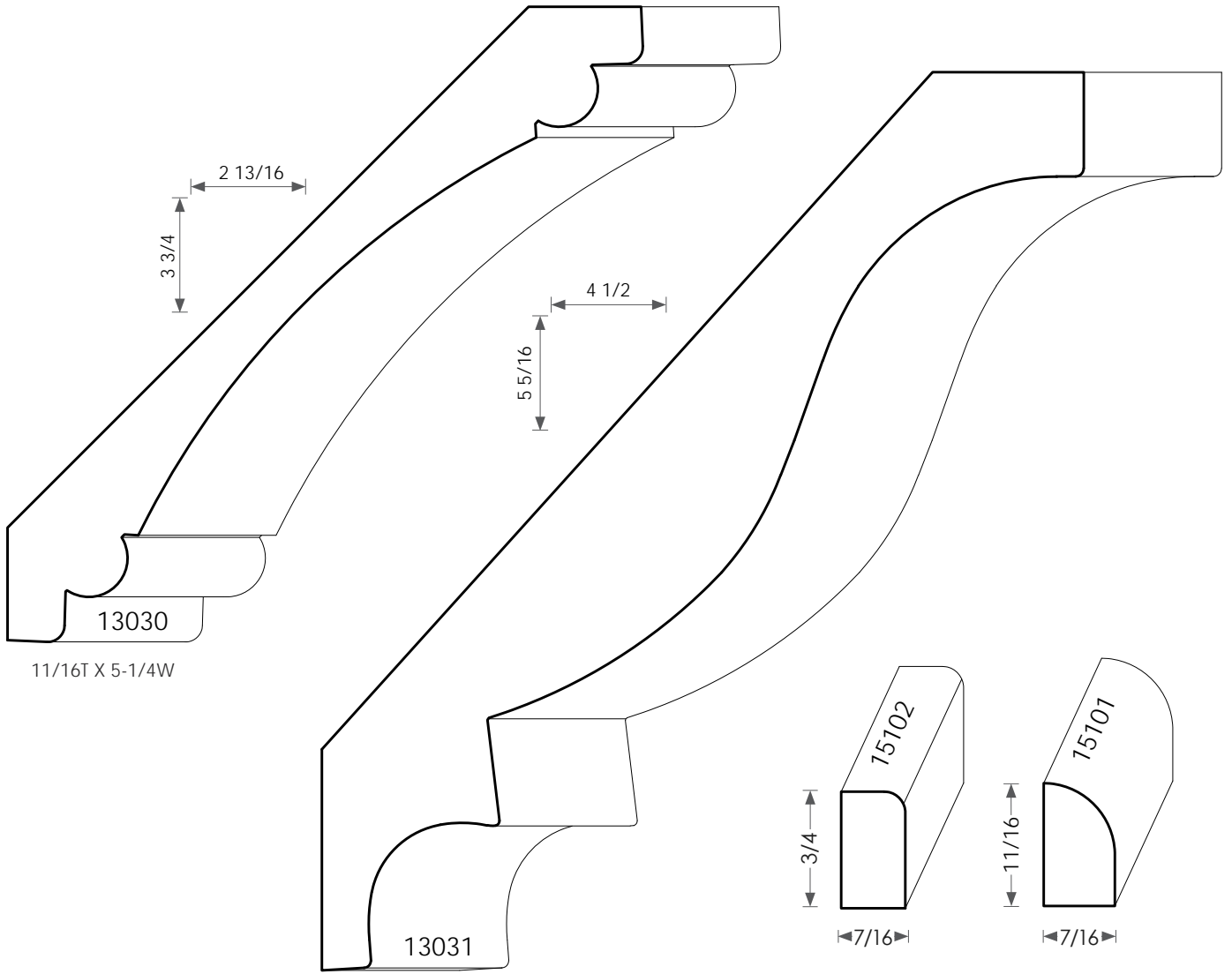
9/16T X 4-5/8W



3/4T X 5-1/4W

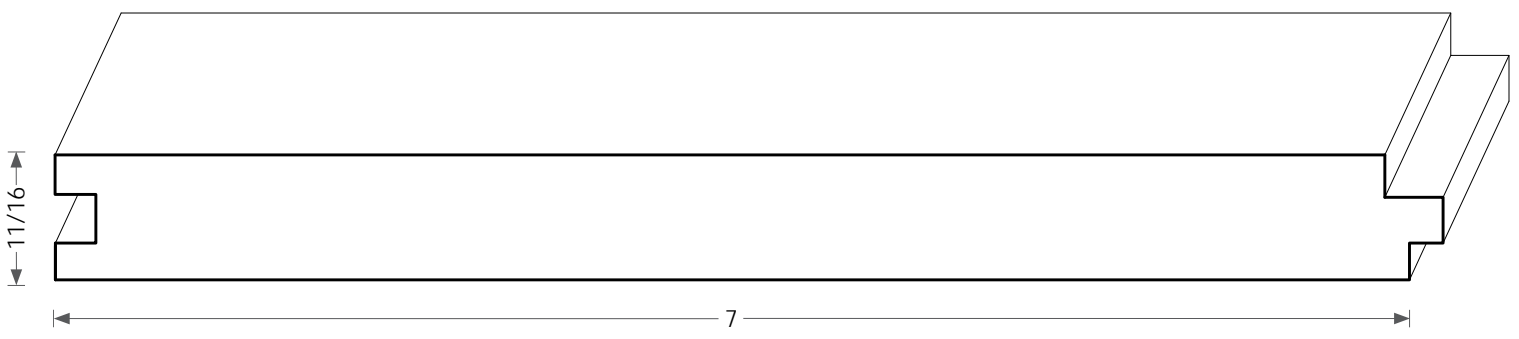
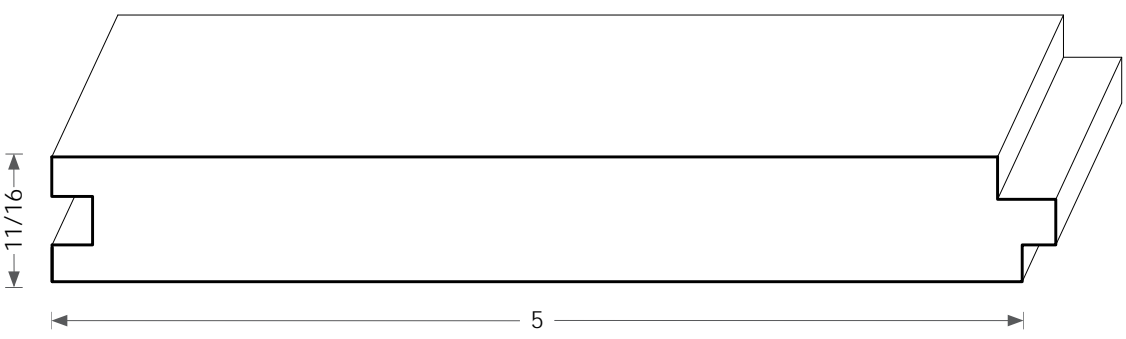
ULTRALIGHT MDF MOULDINGS ARE INVENTORIED IN 16' LENGTHS.

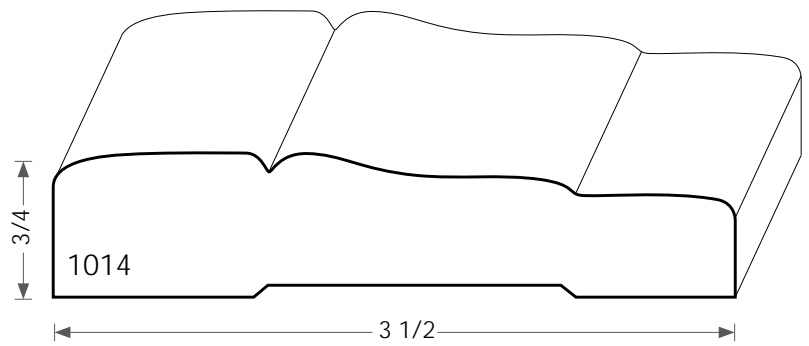
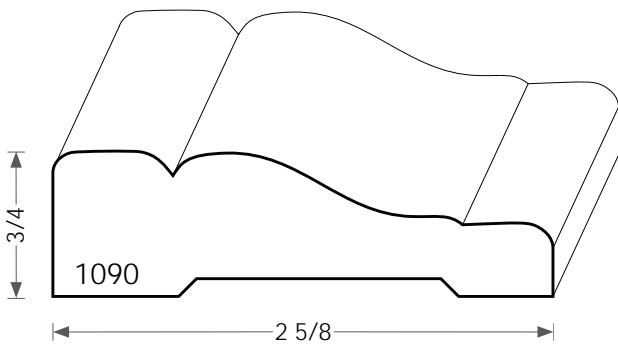
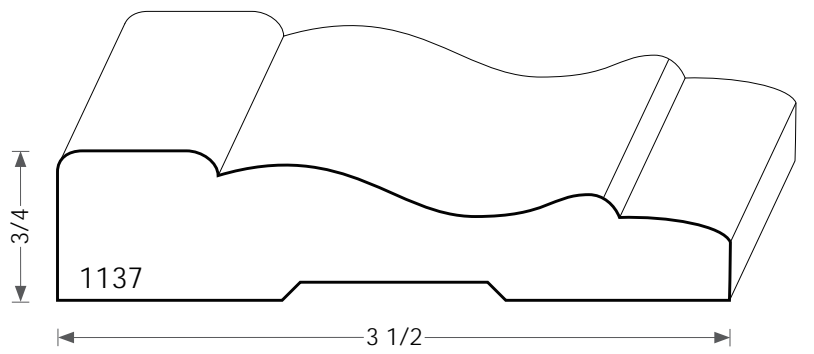
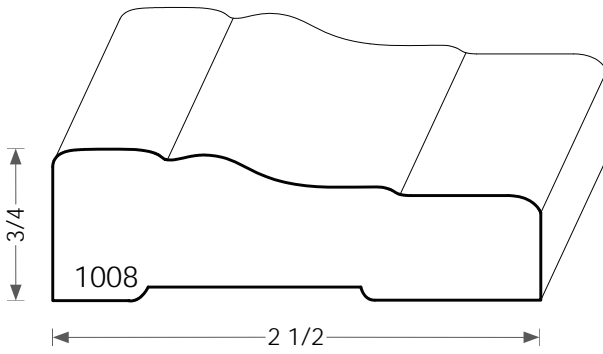
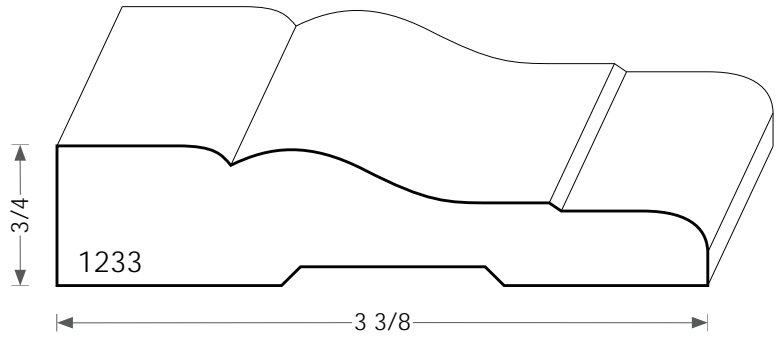
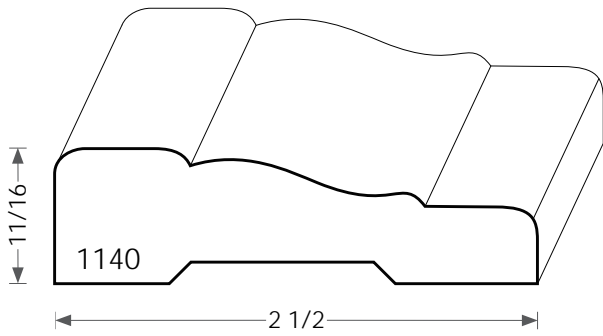
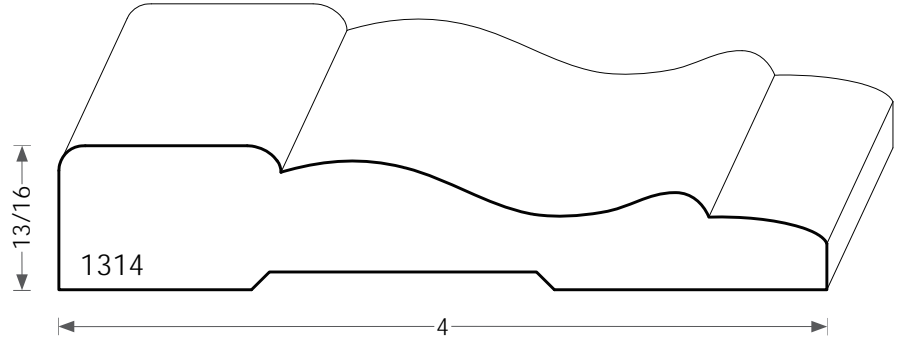
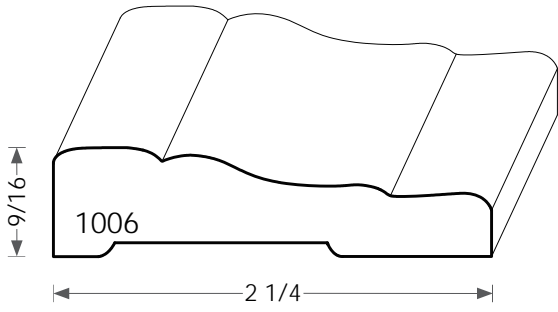
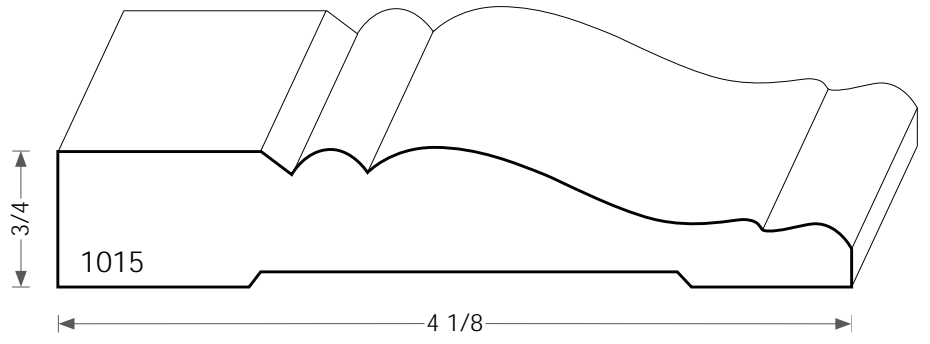
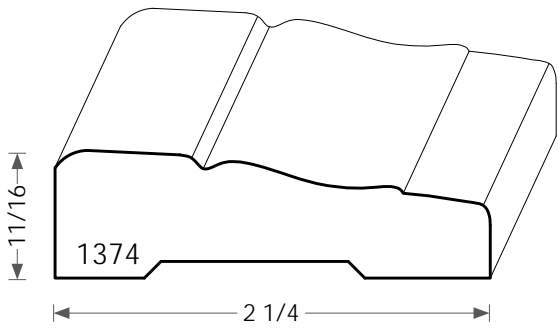
MDF CROWN  
IN-STOCK



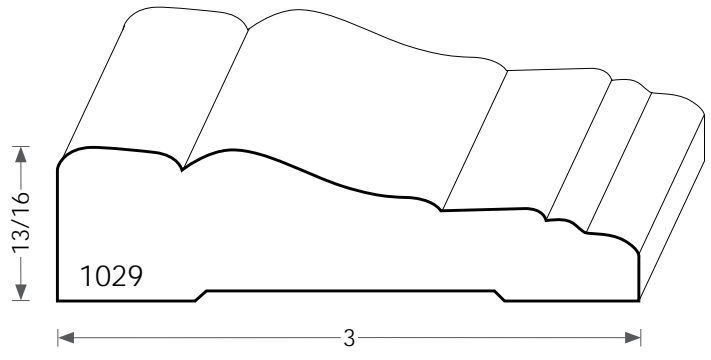
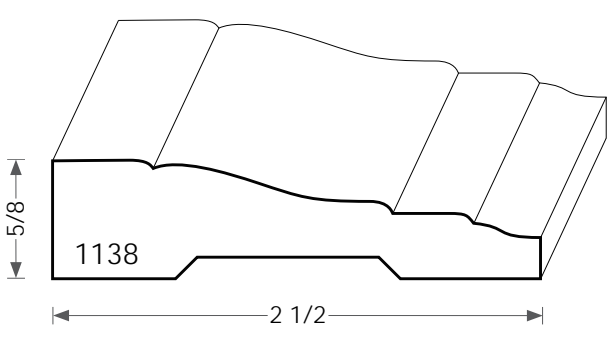
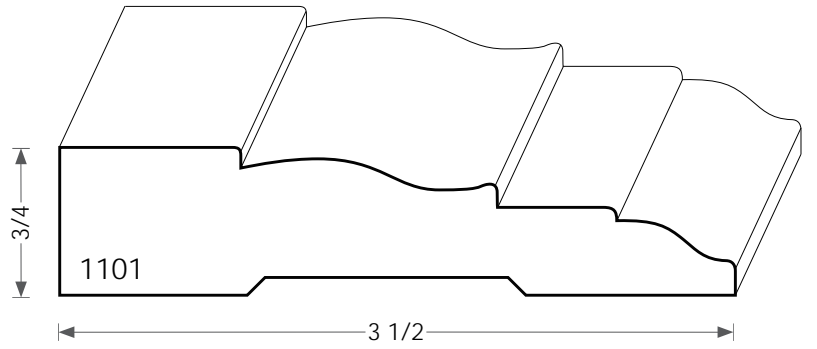
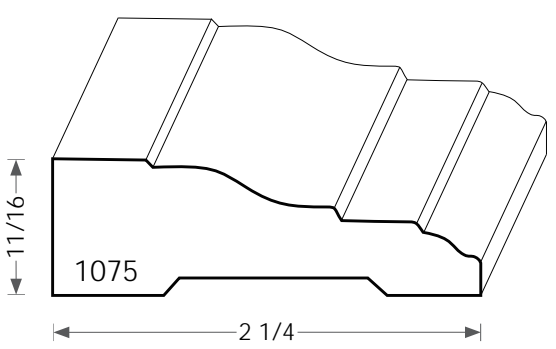
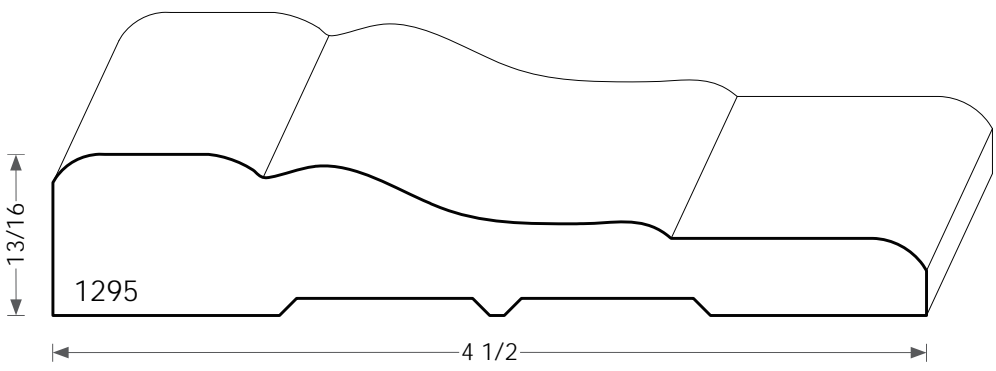
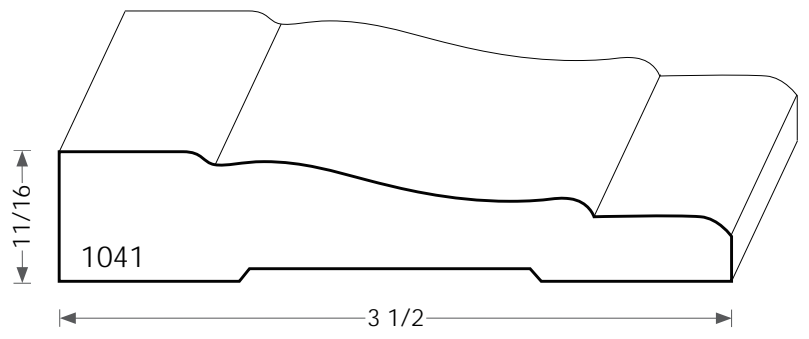
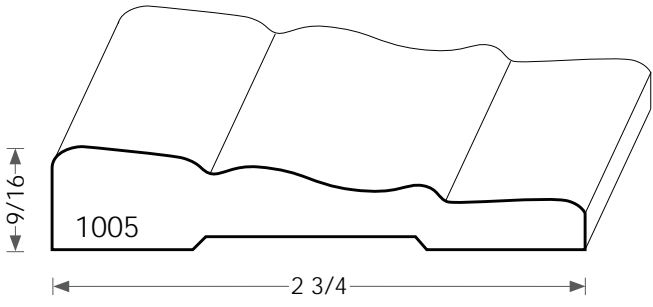
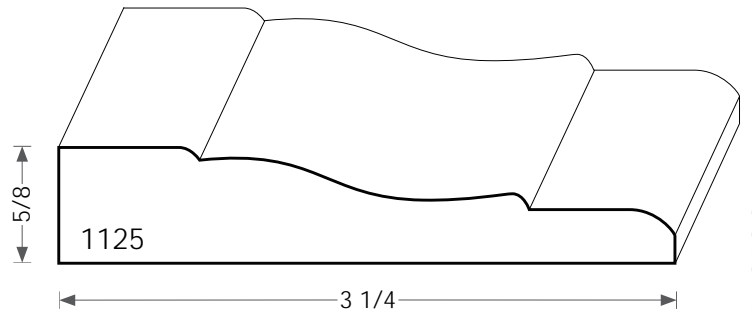
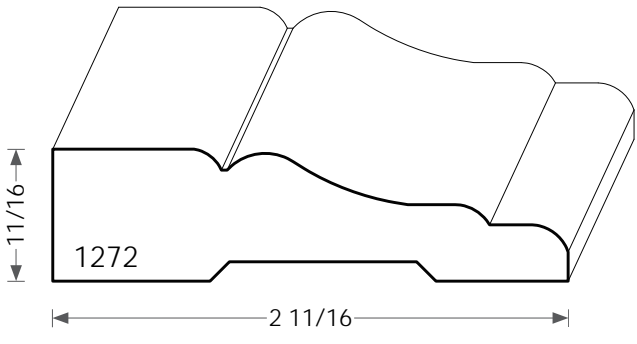
PRIMED SHOE  
IN-STOCK

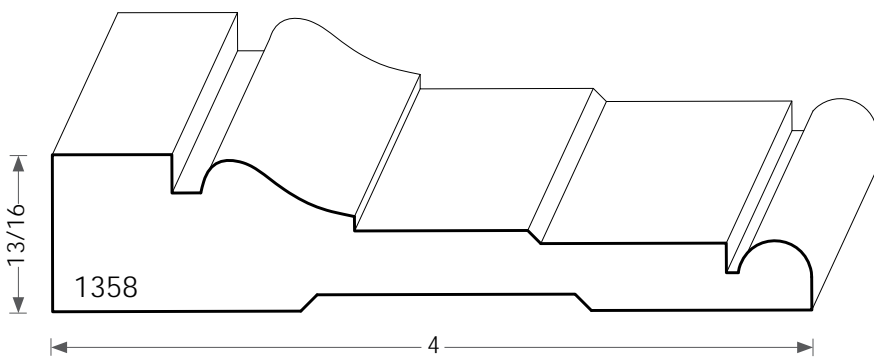
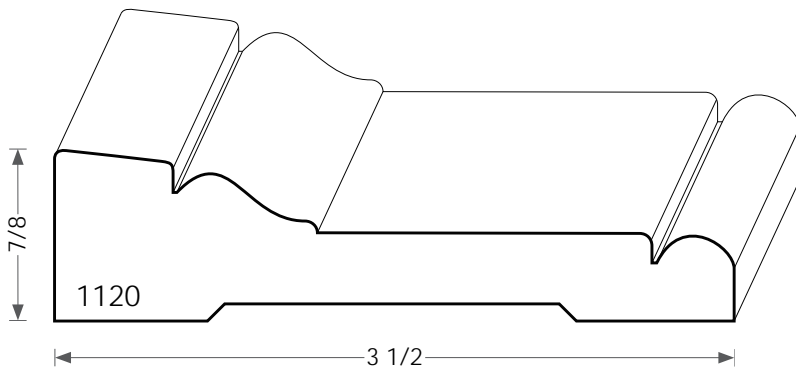
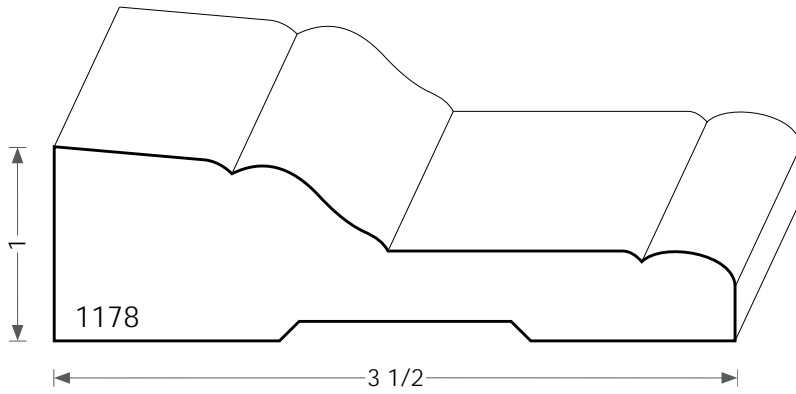
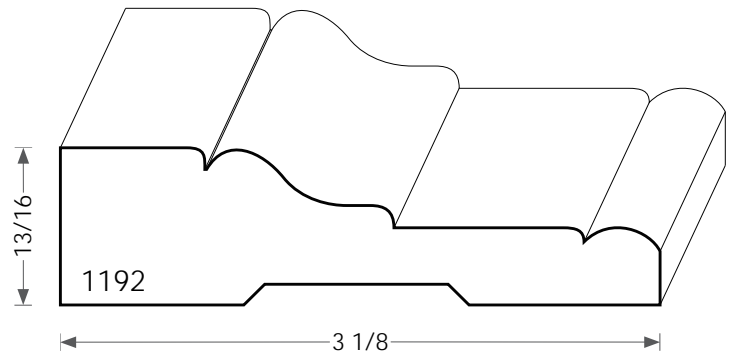
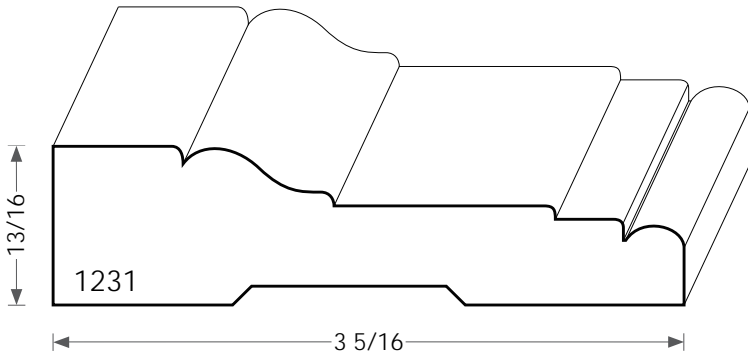
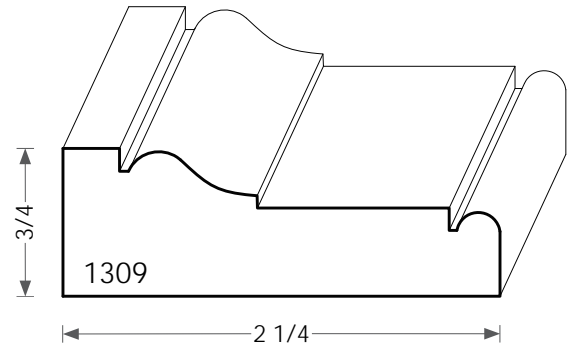
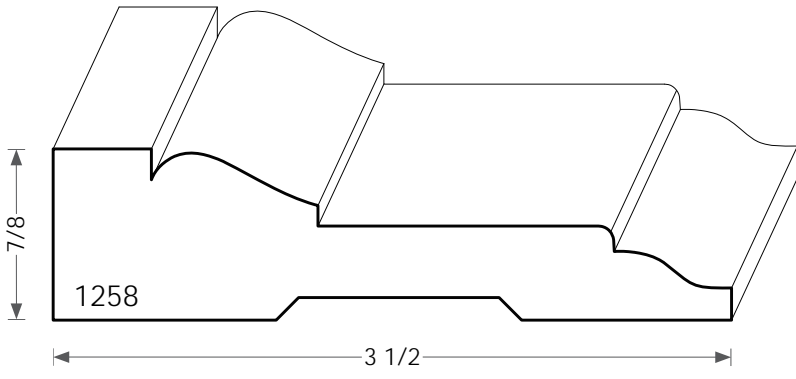
MDF SHIPLAP  
IN-STOCK

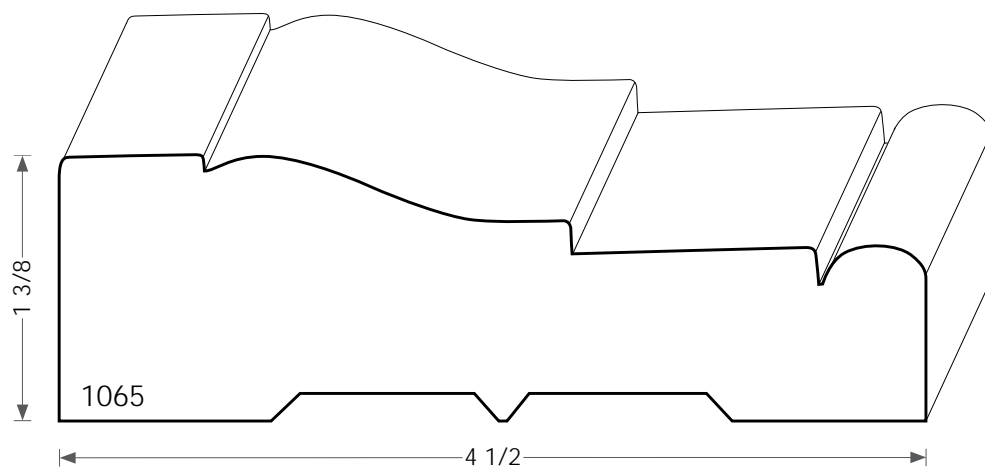
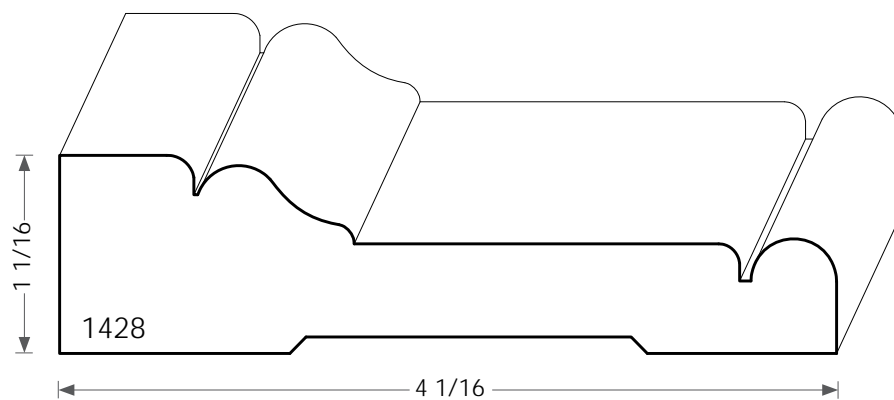
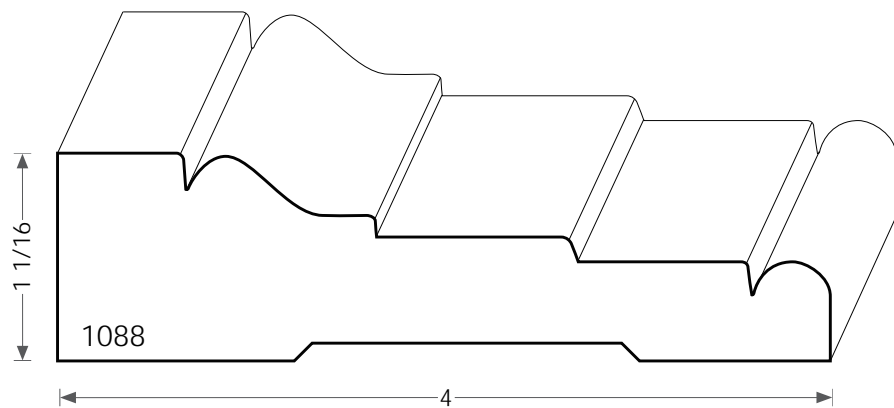
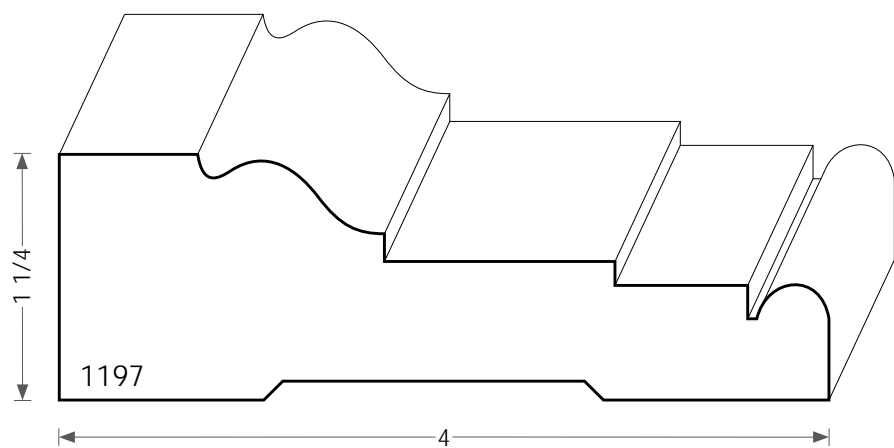


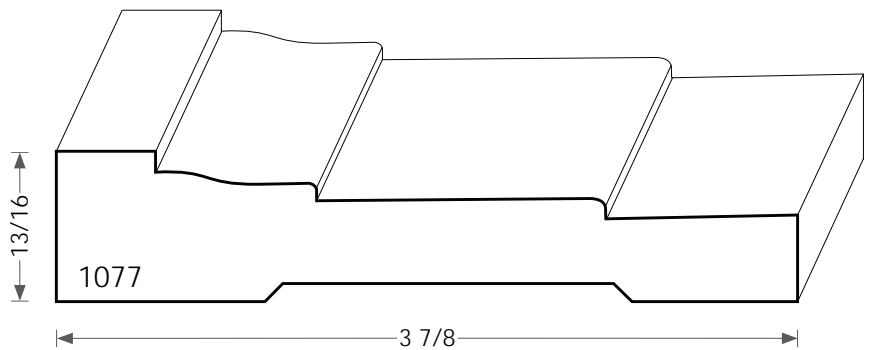
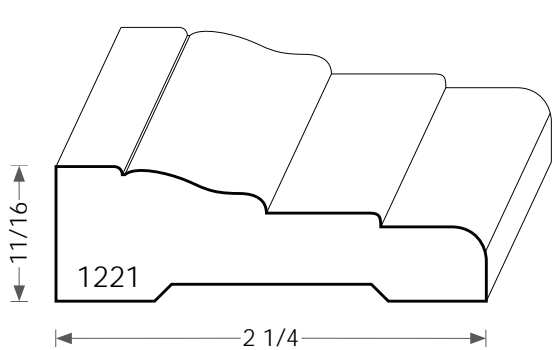
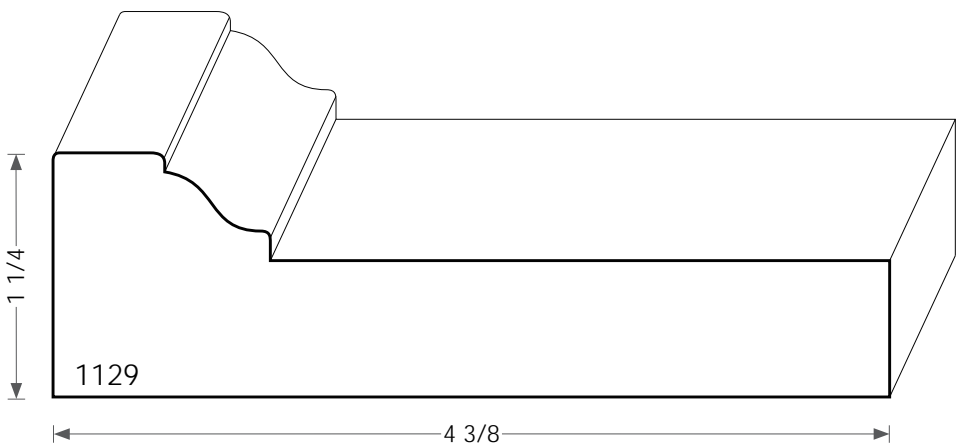
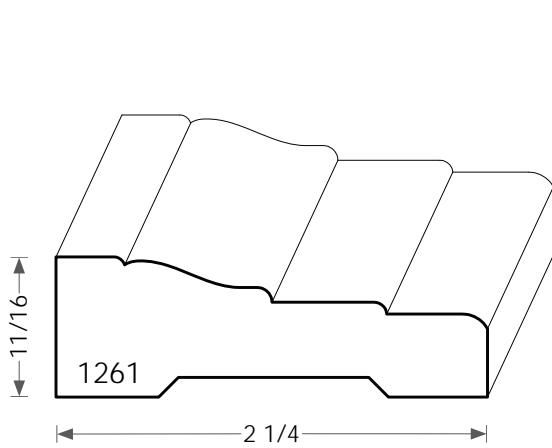
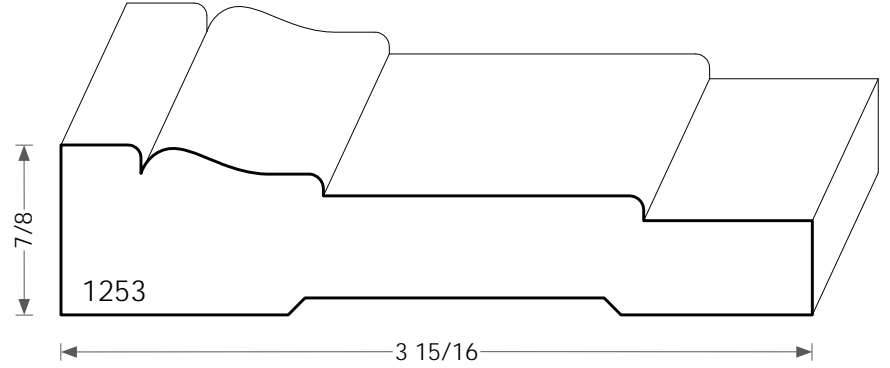
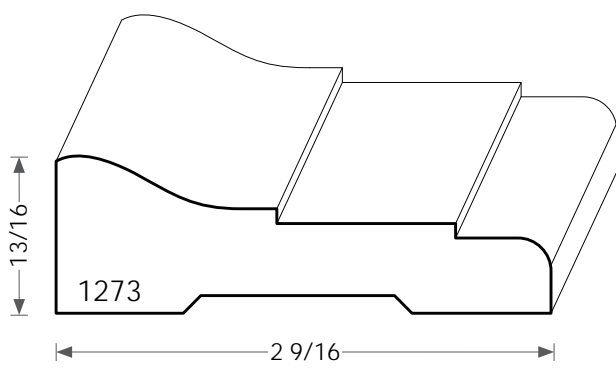
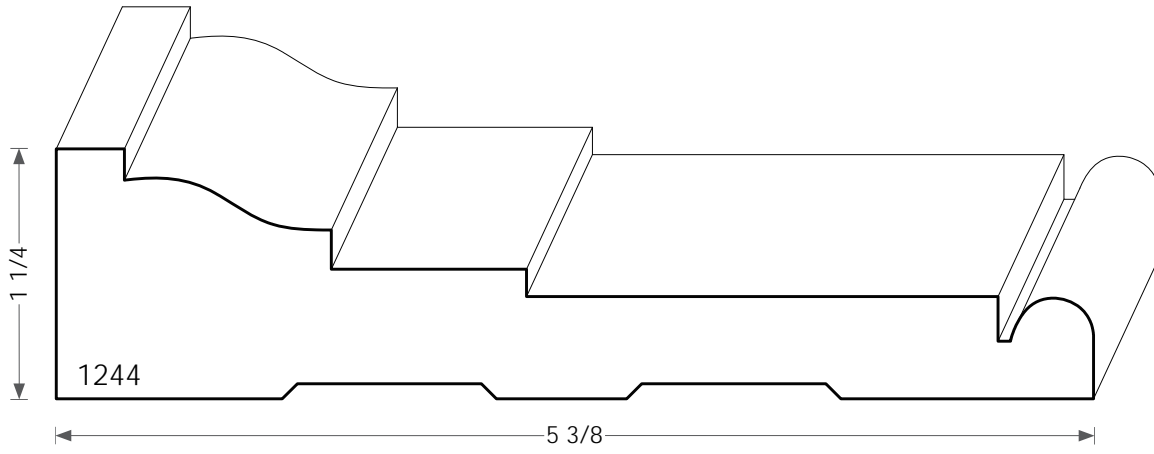
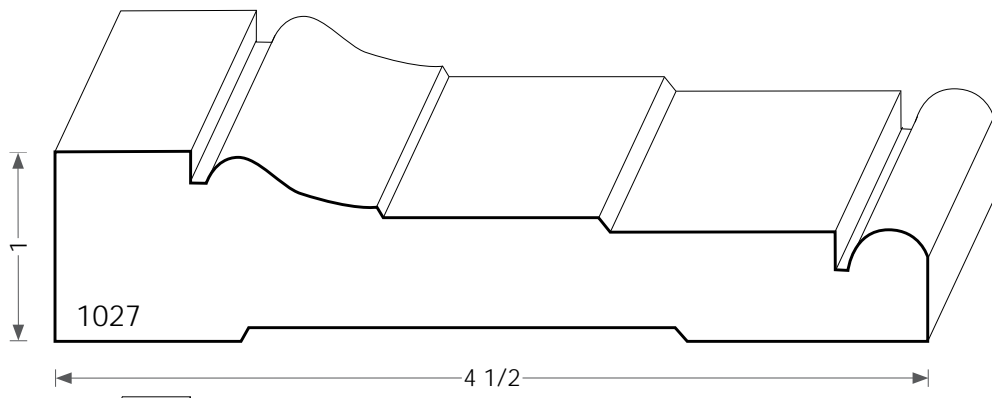


CASING  
COLONIAL

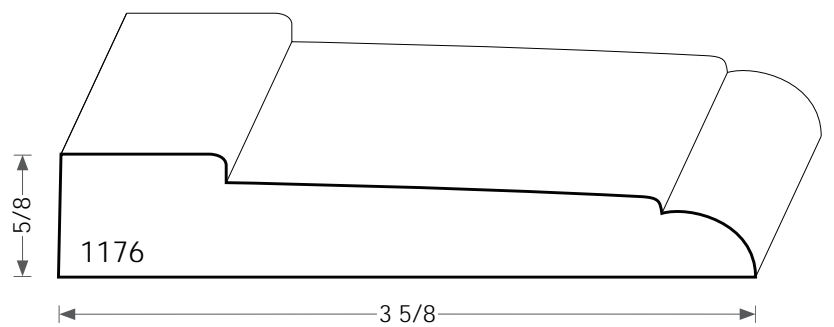
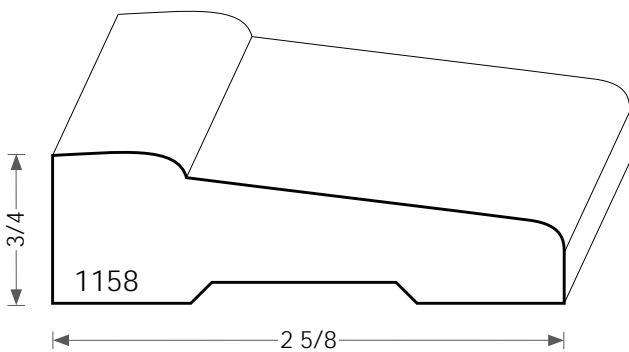
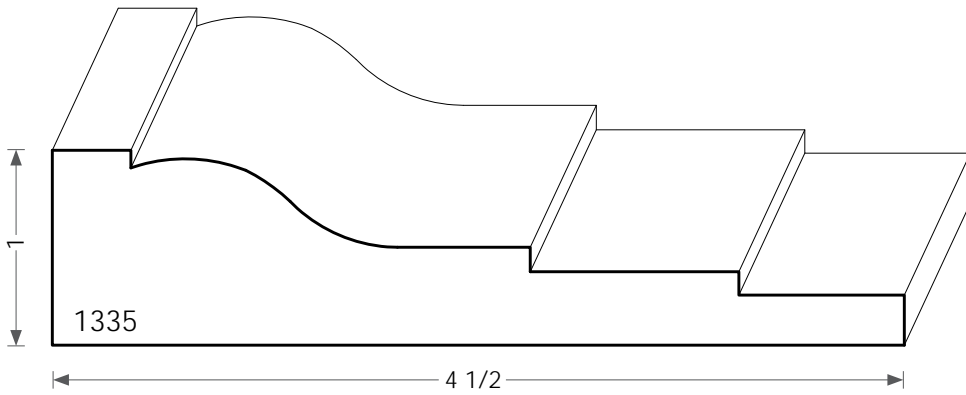
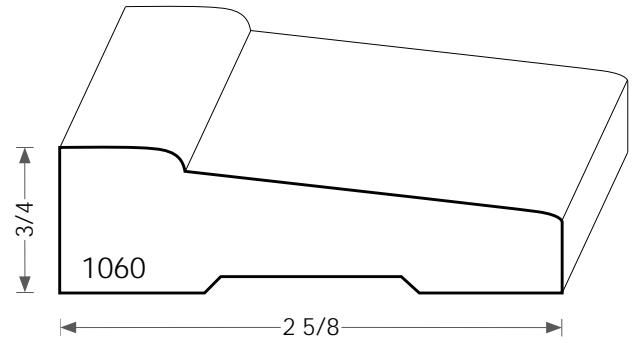
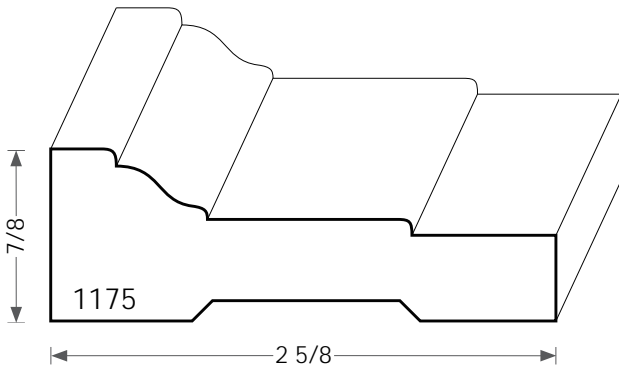
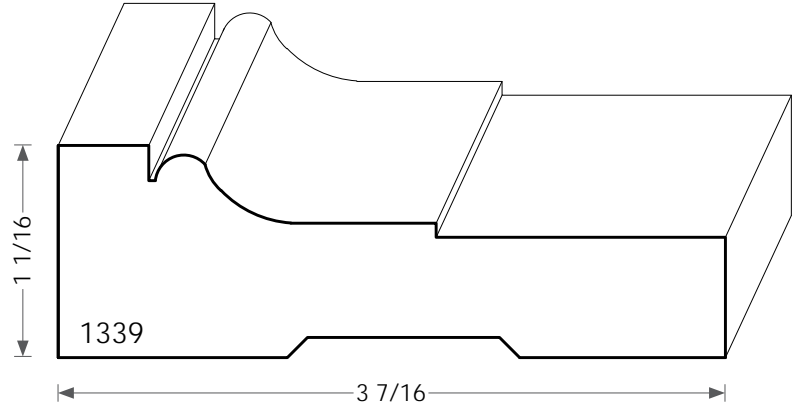
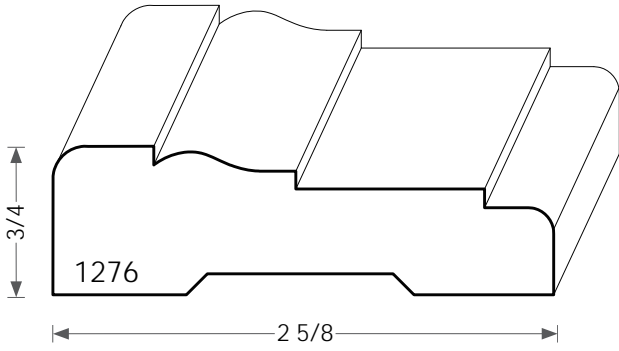
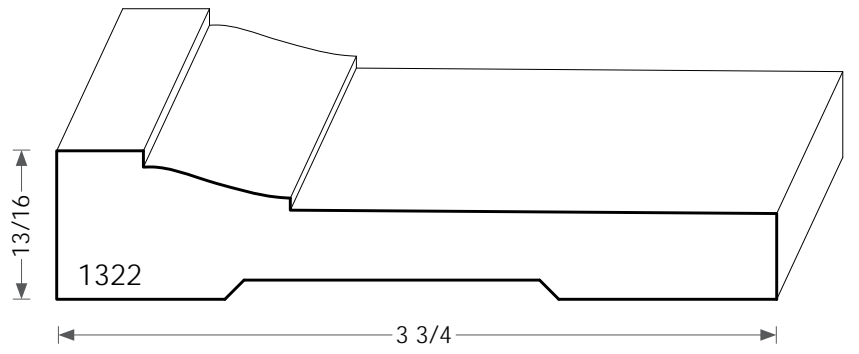
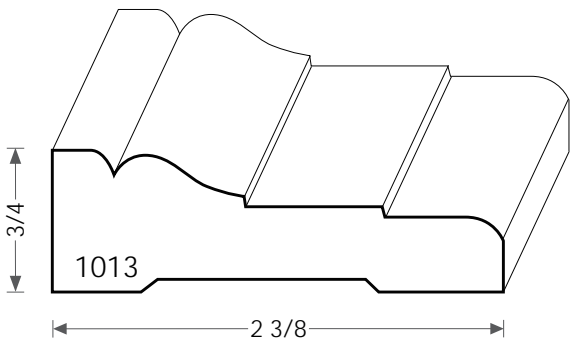




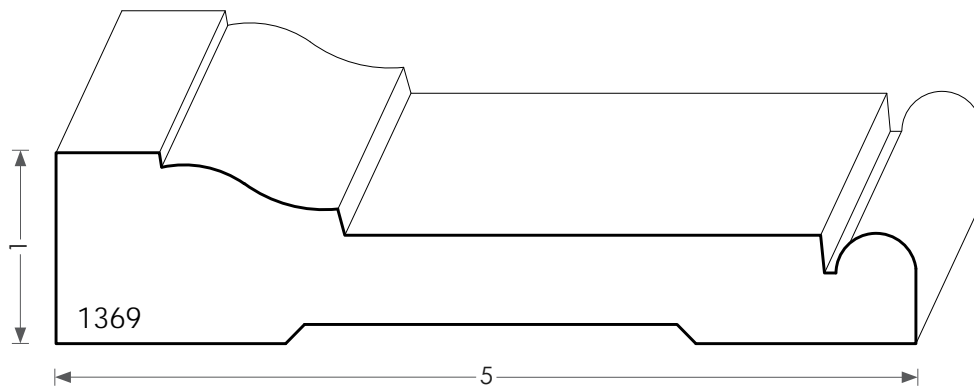
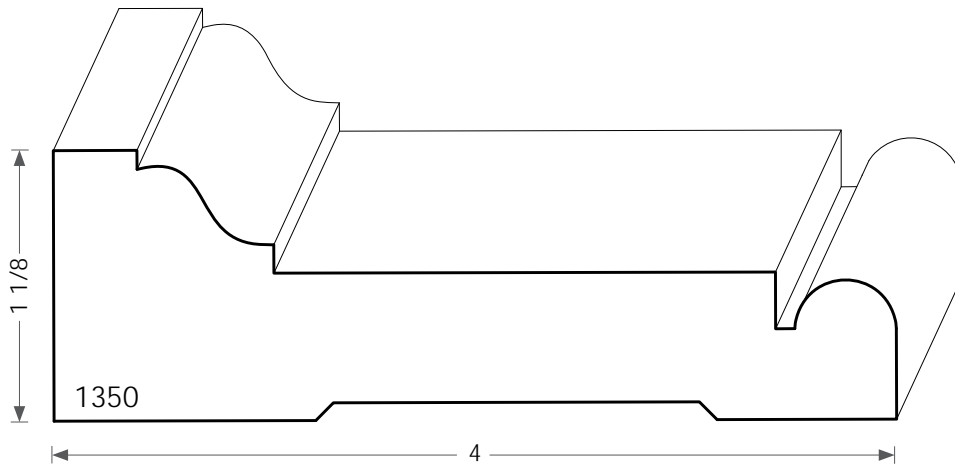
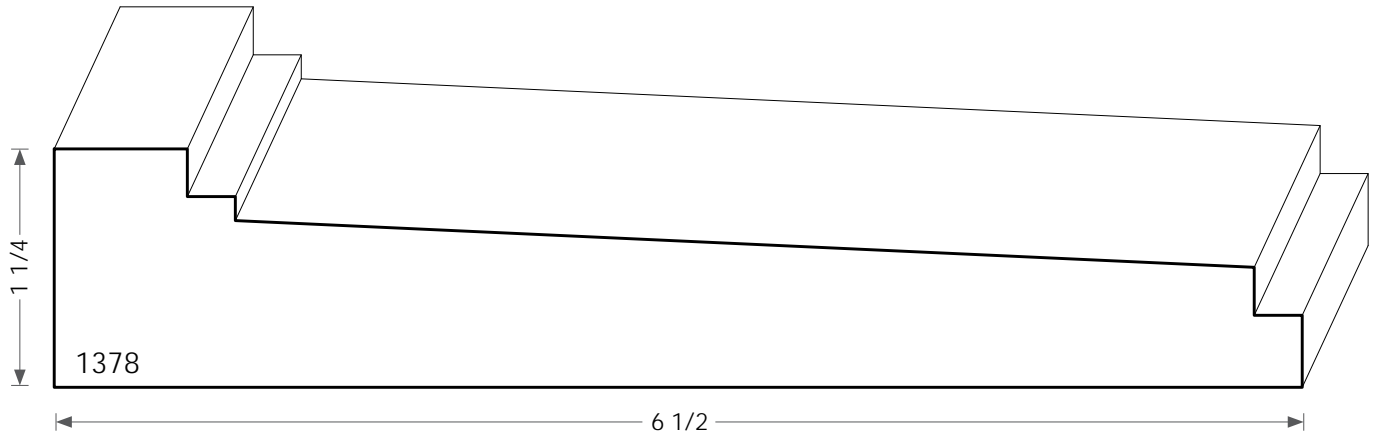
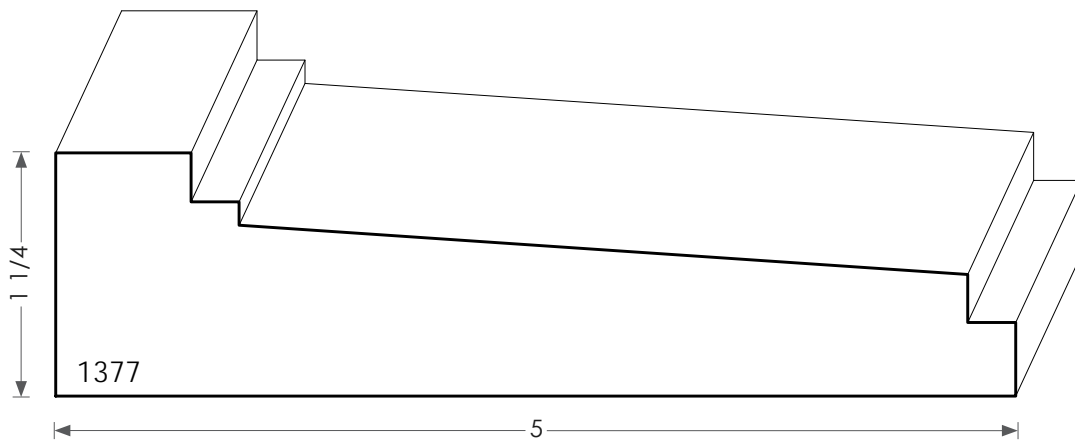




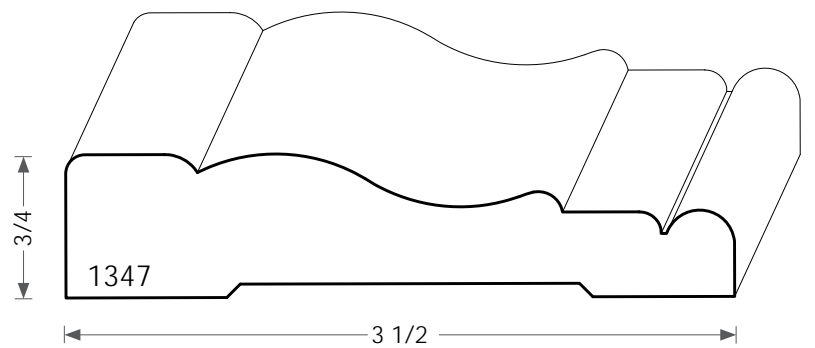
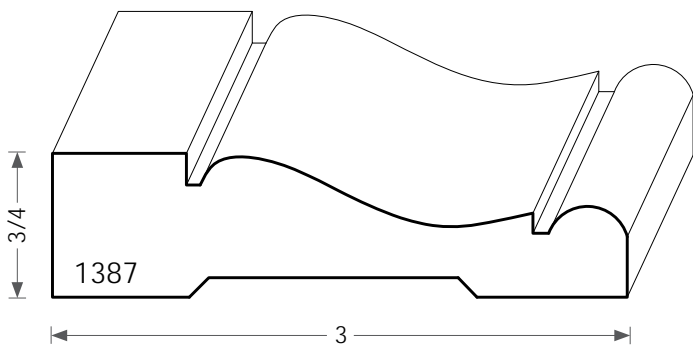
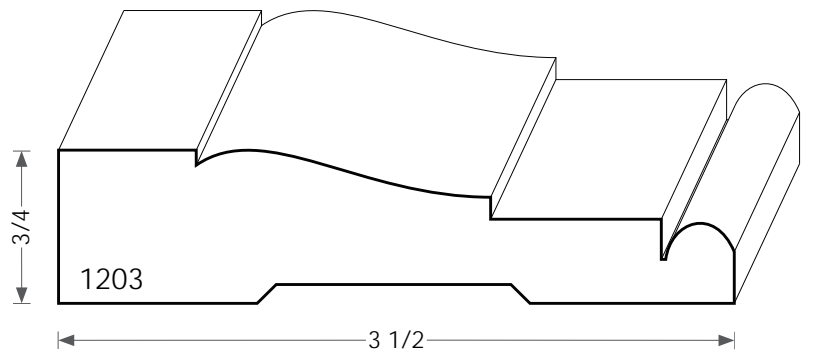
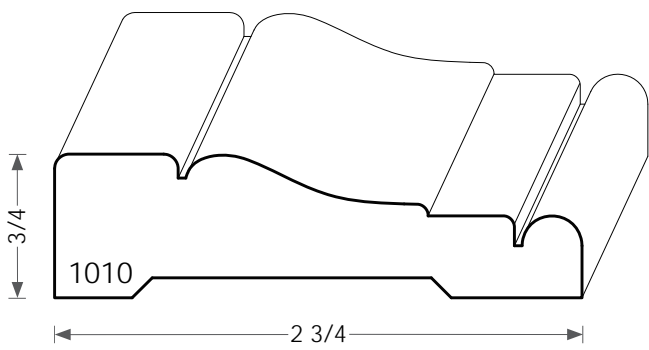
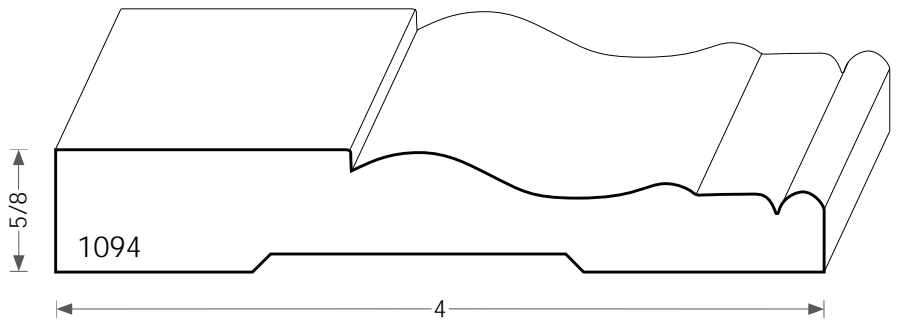
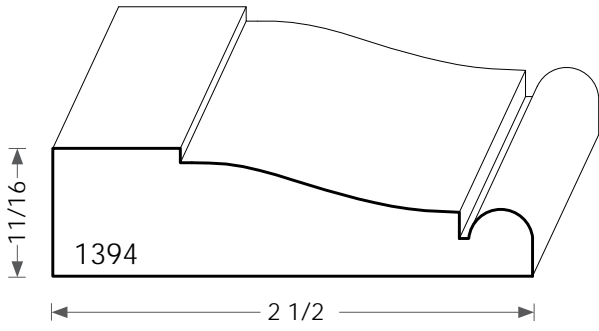
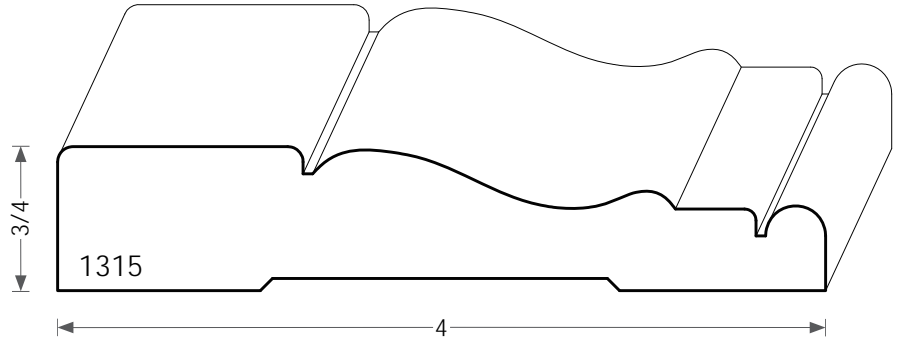
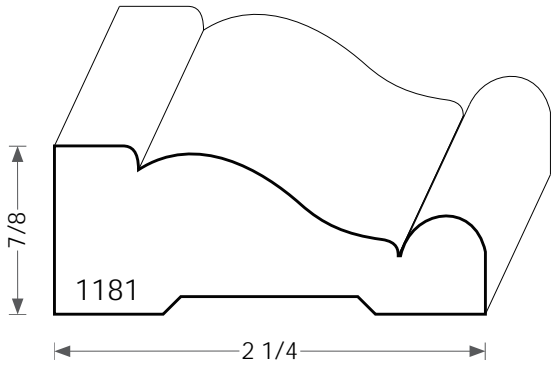
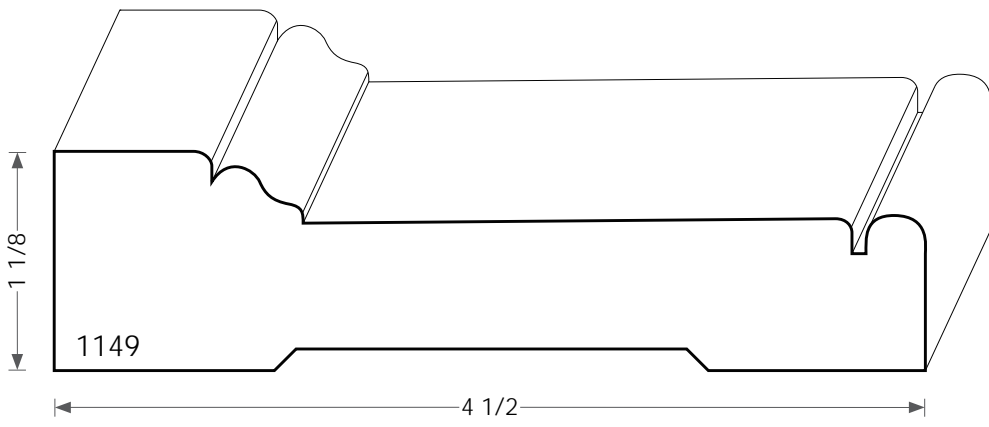
CASING

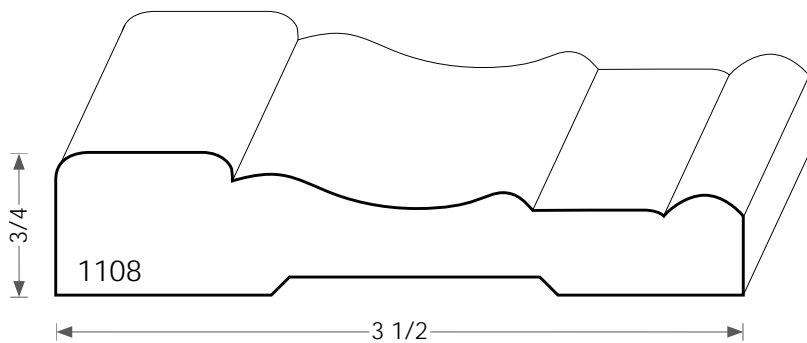
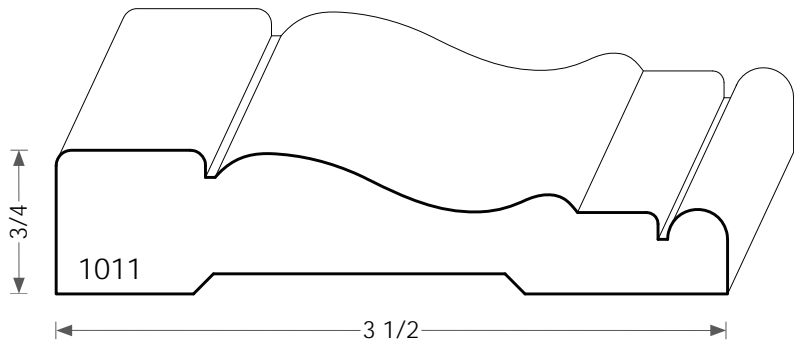
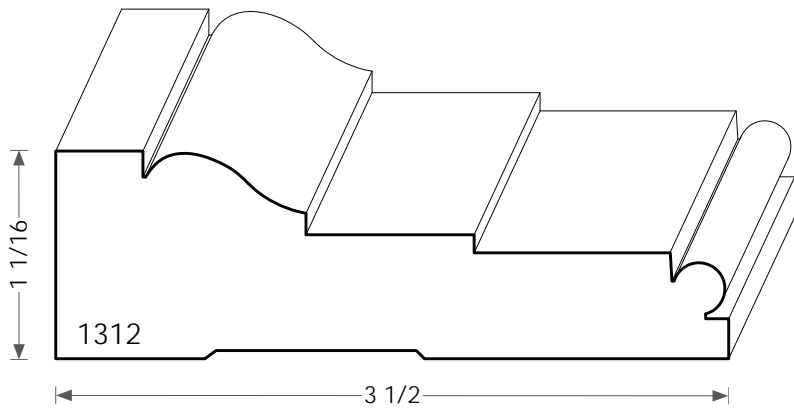
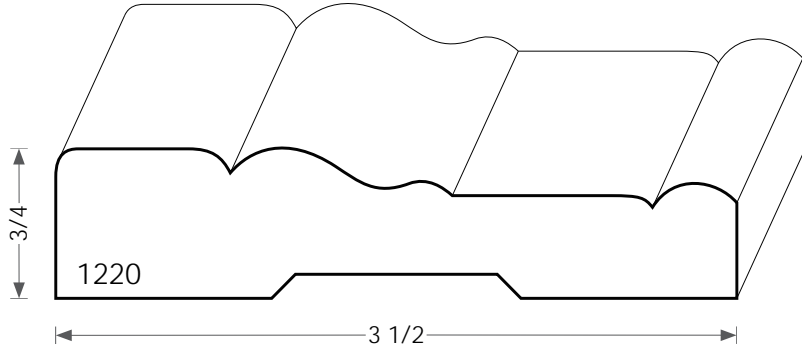
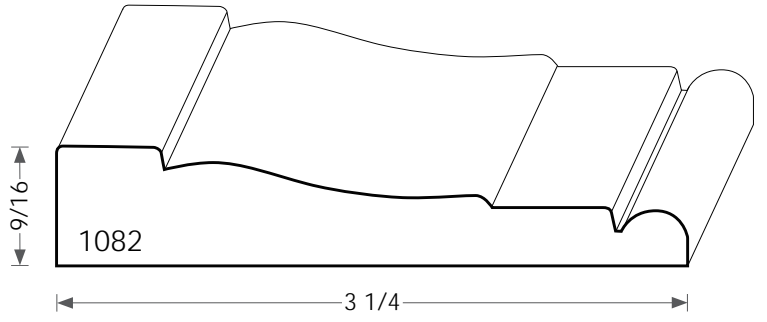
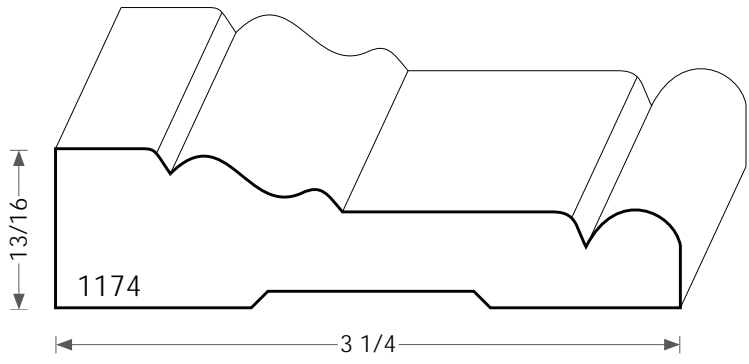




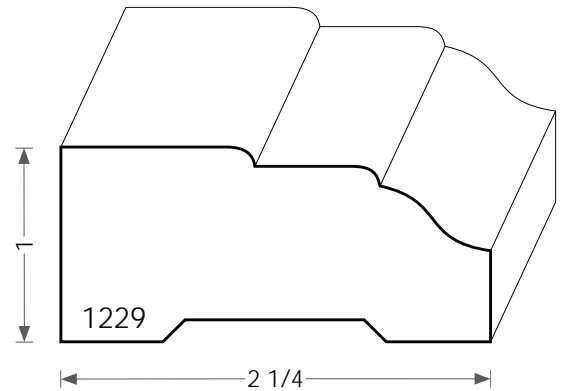
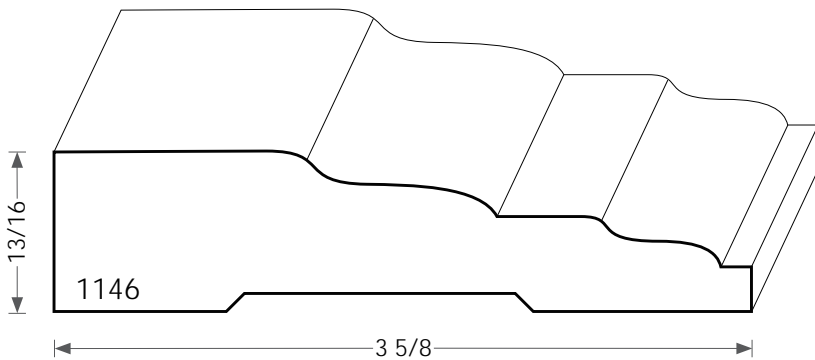
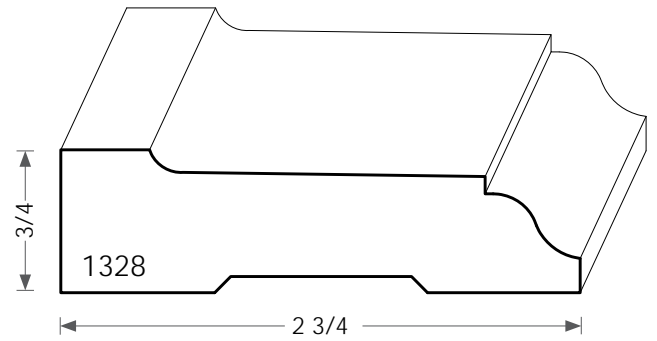
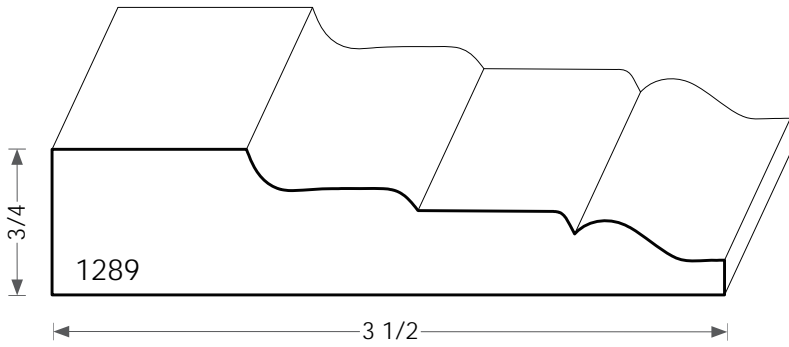
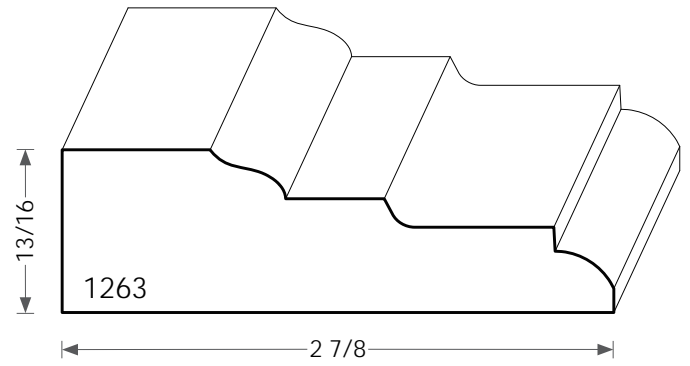
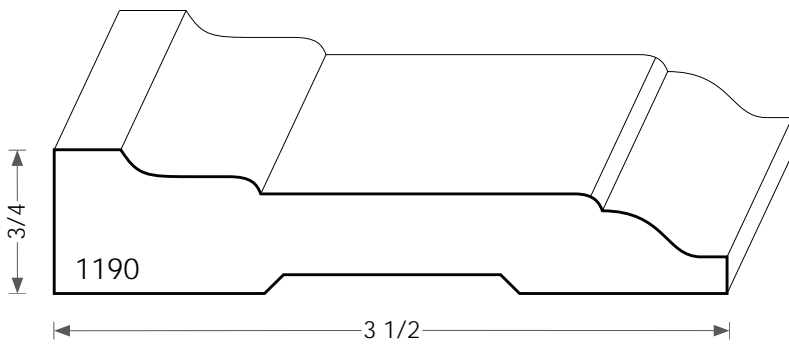
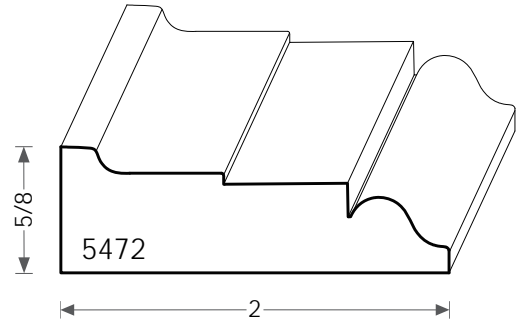
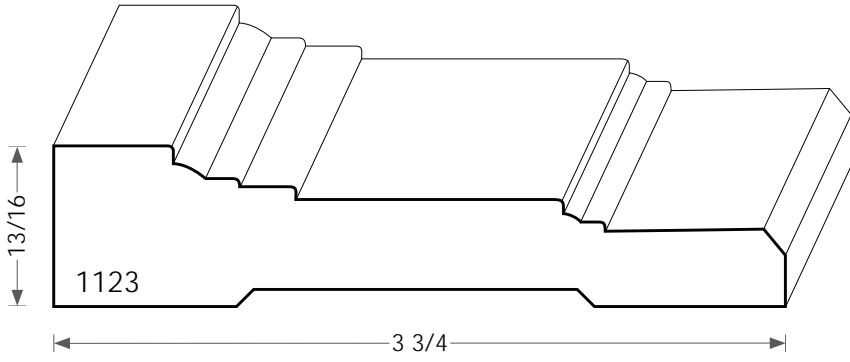
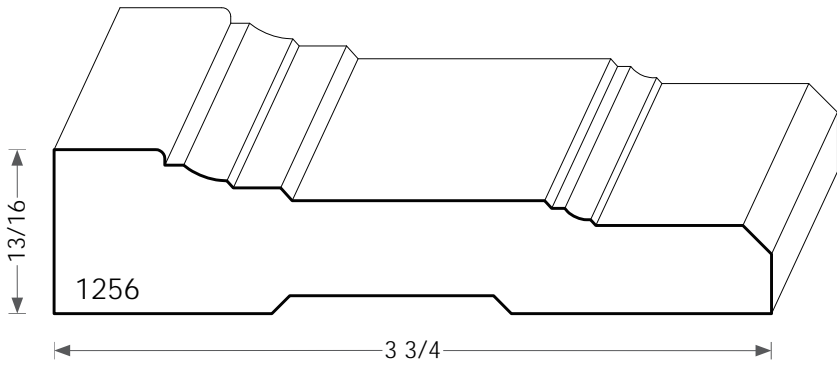


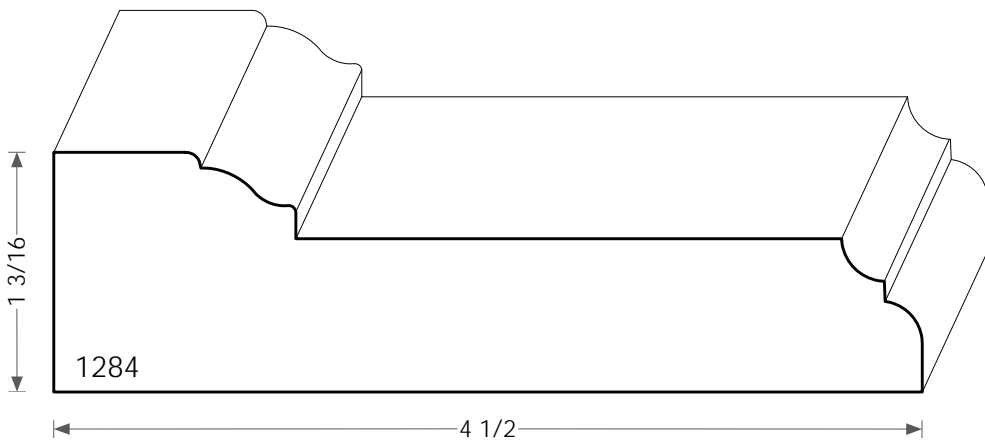
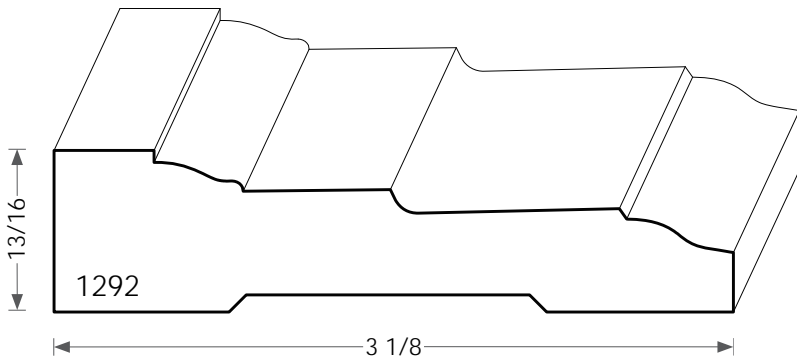
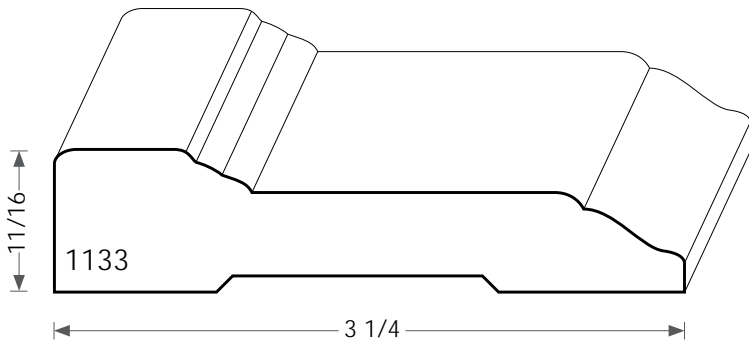
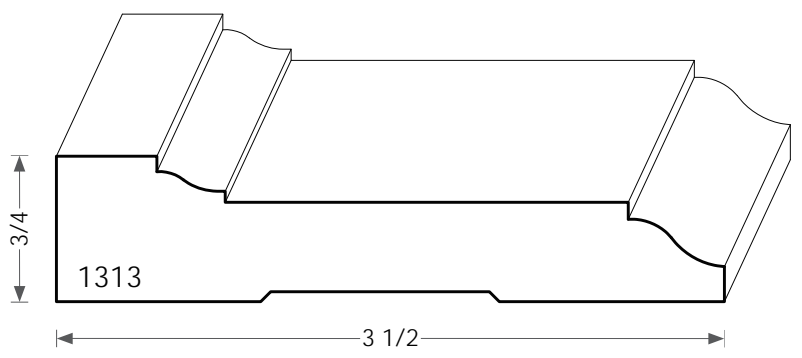
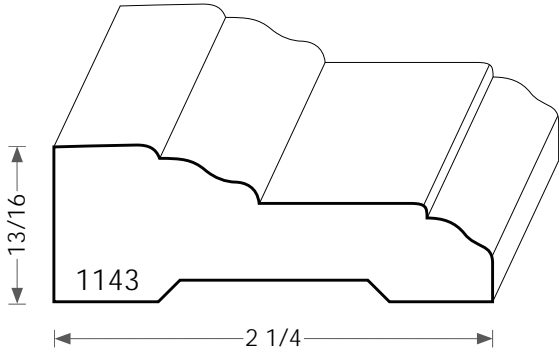
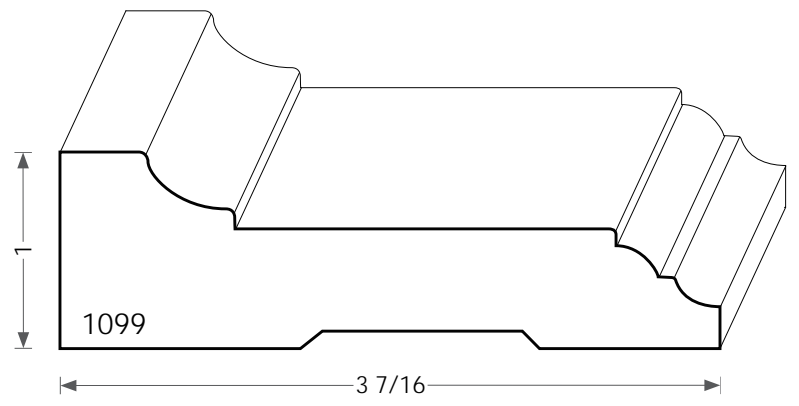
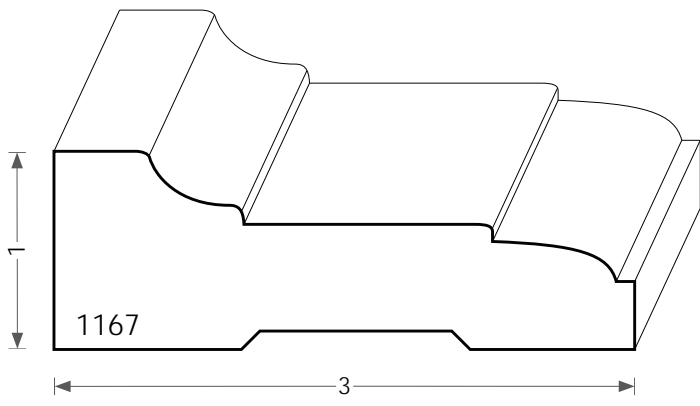
CASING



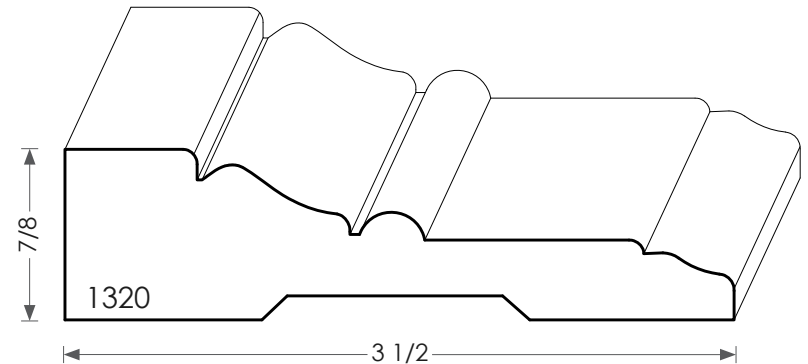
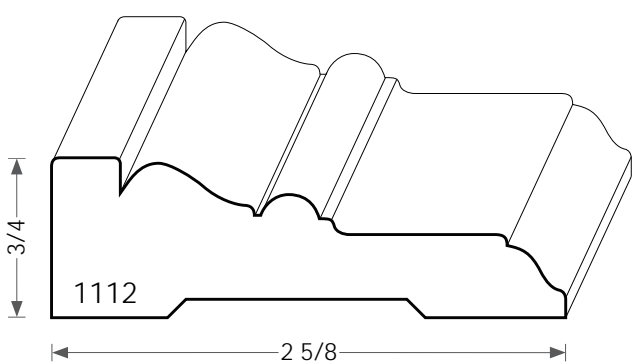
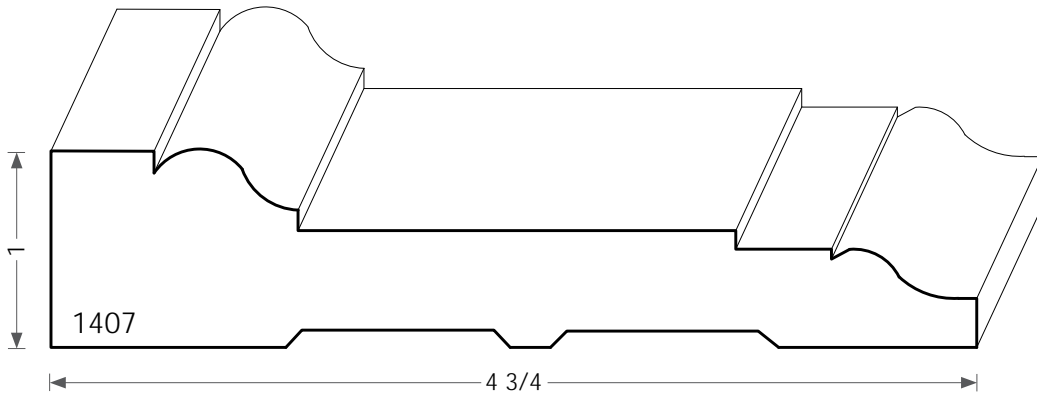
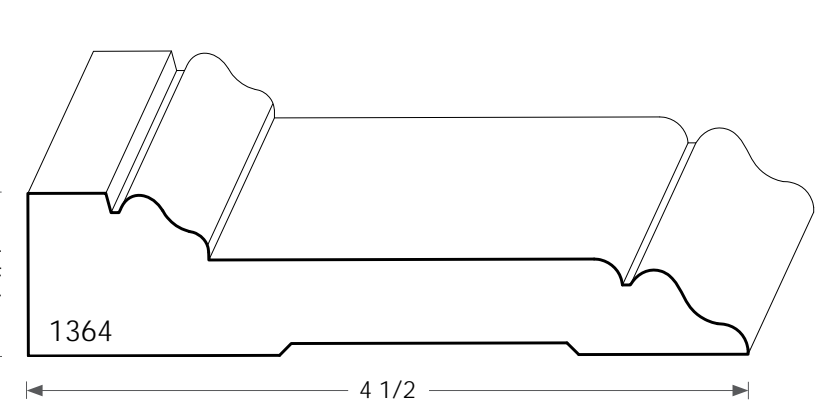
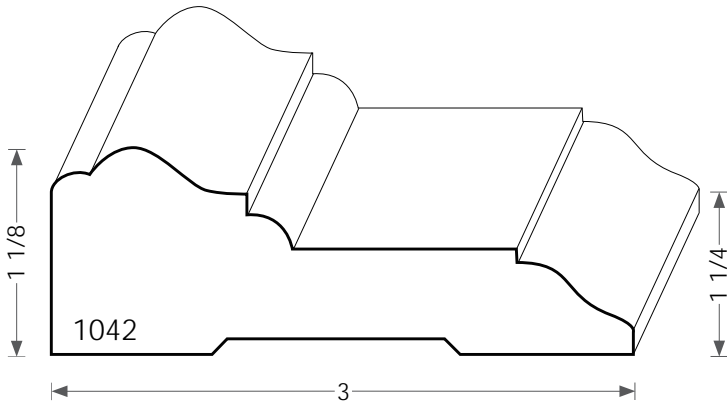
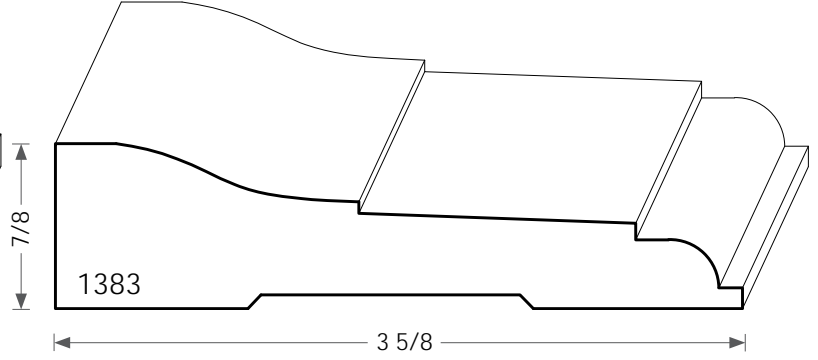
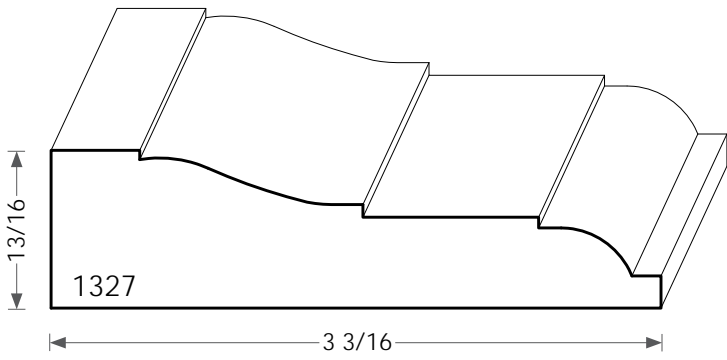
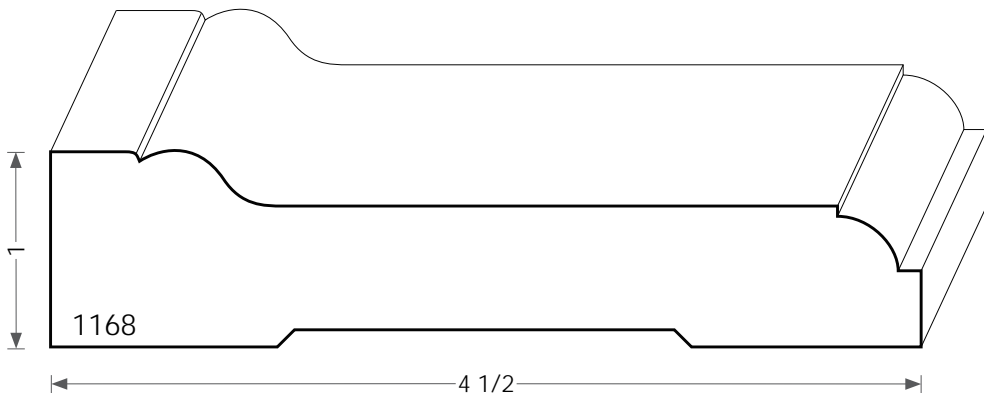


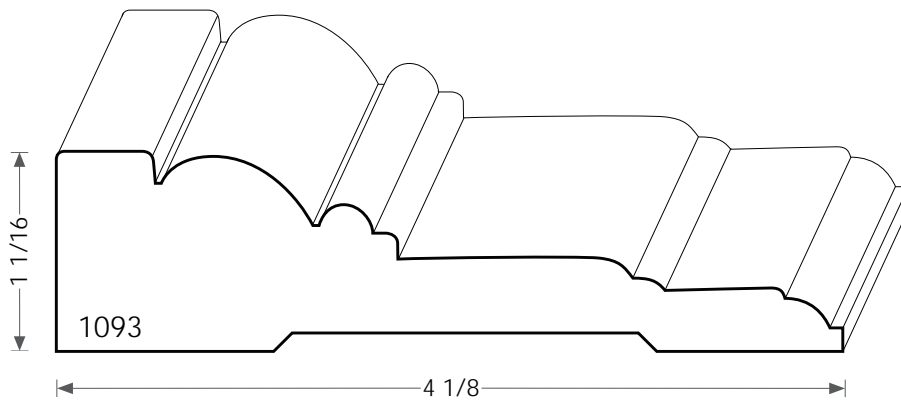
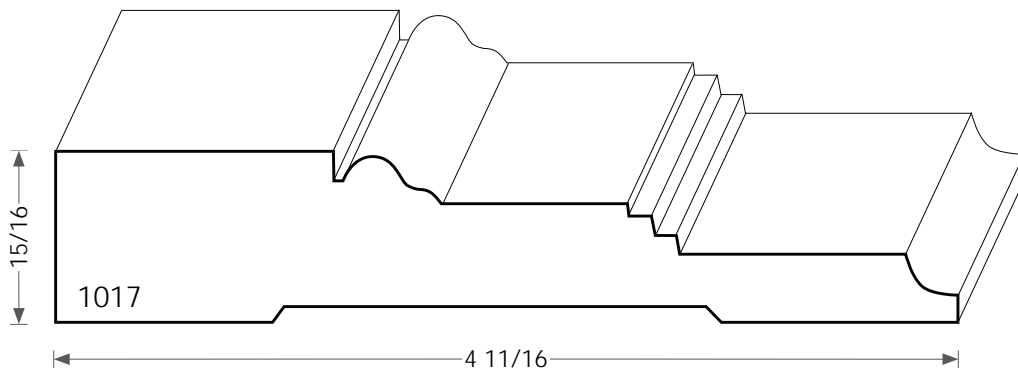
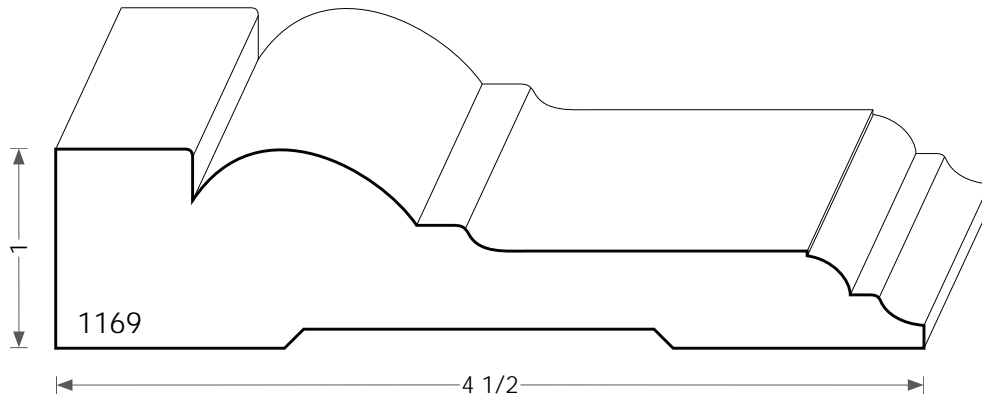
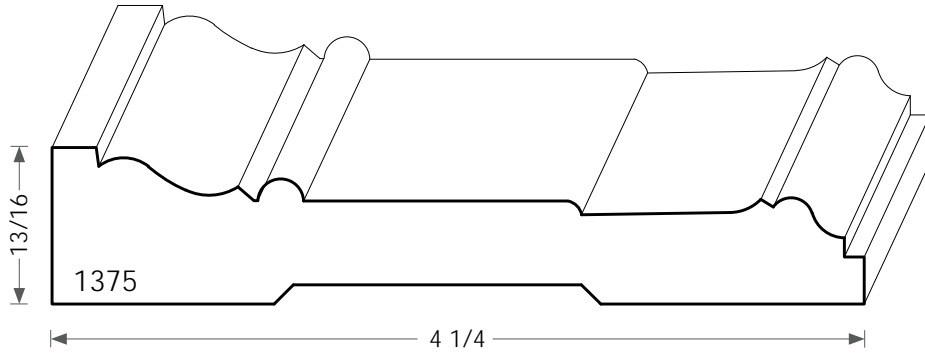
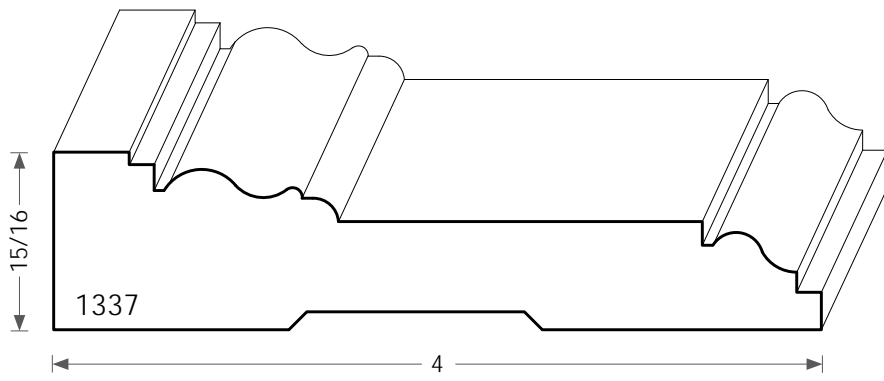
CASING



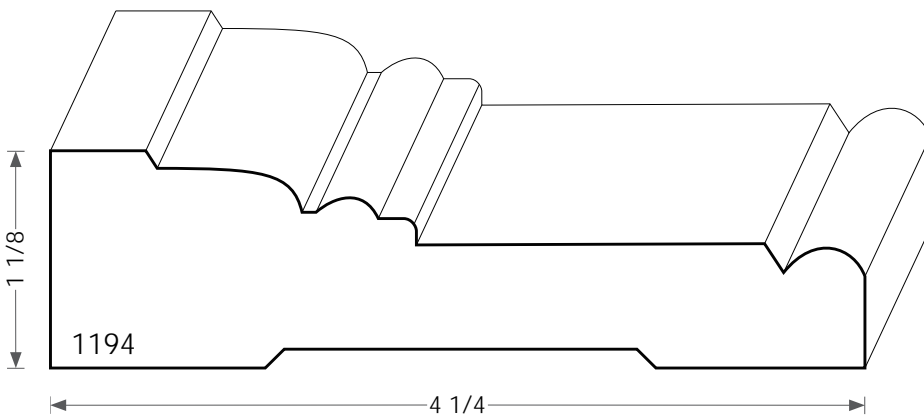
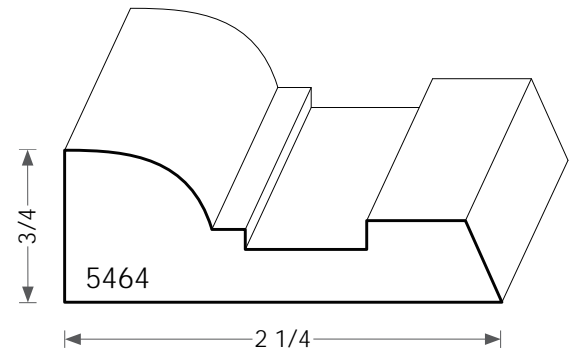
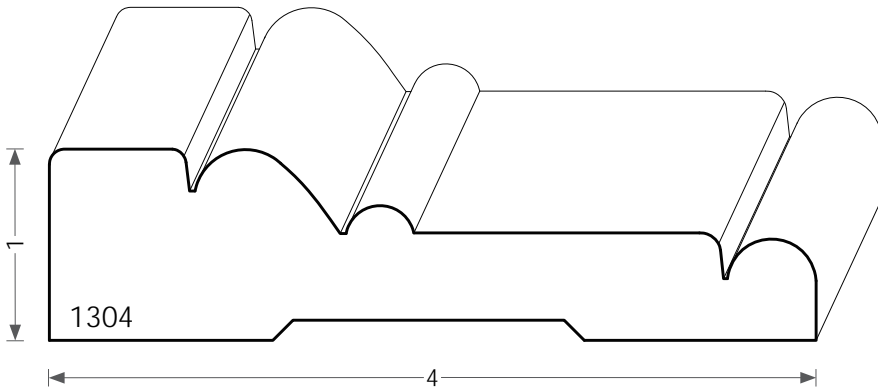
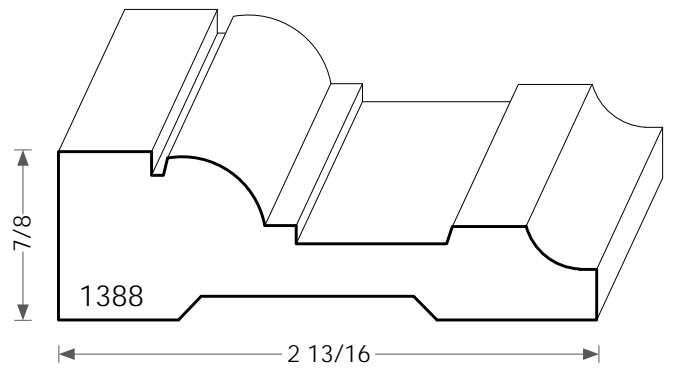
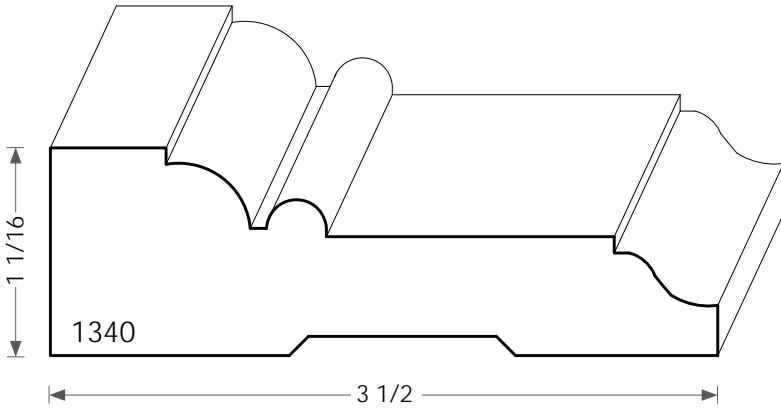
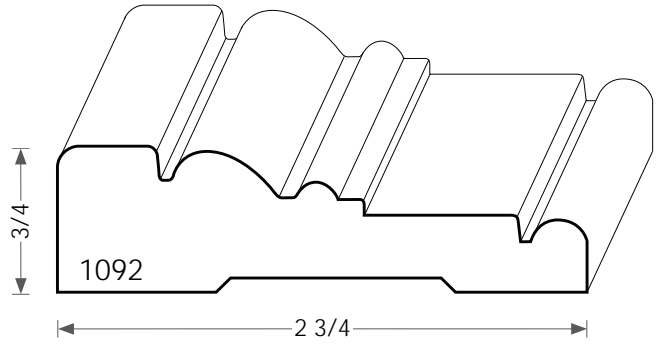
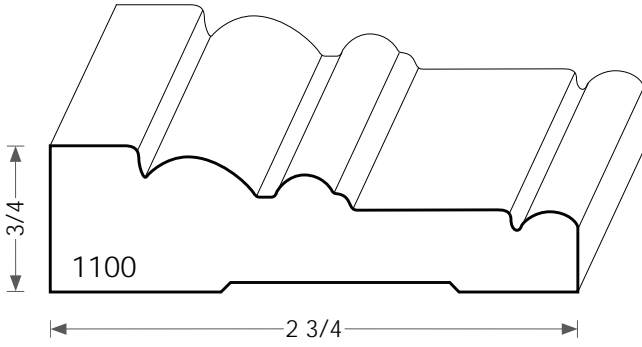
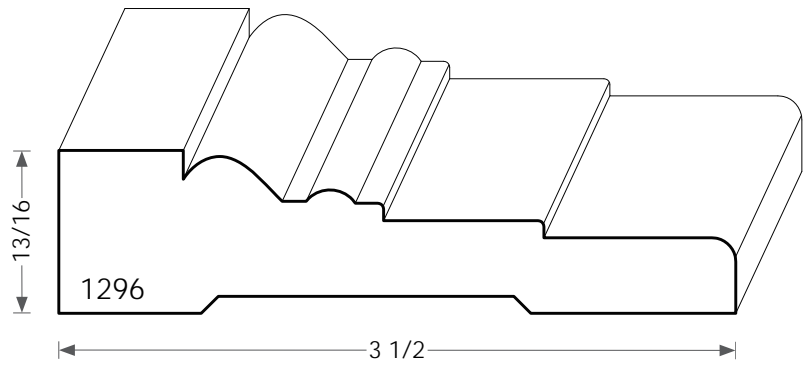
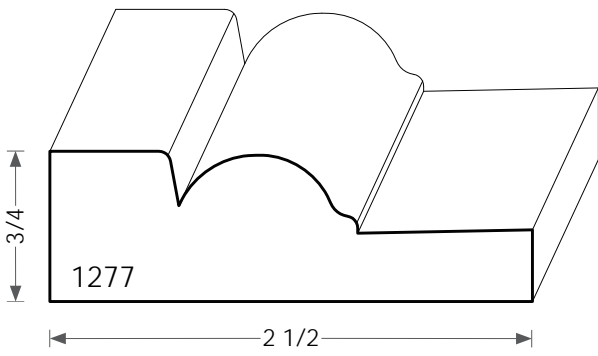


CASING

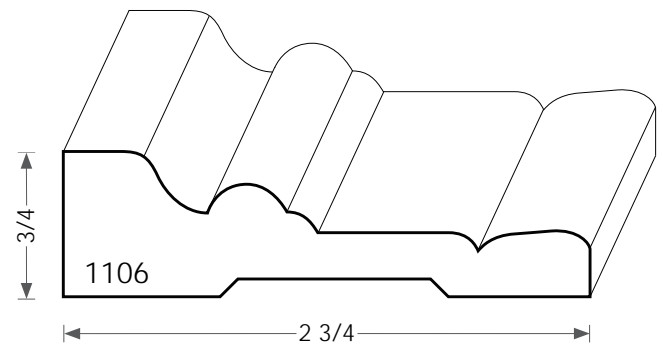
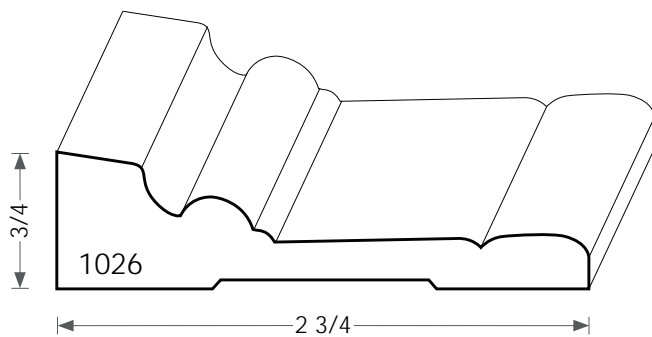
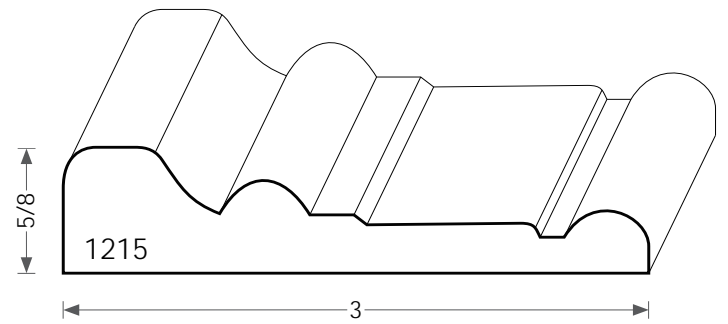
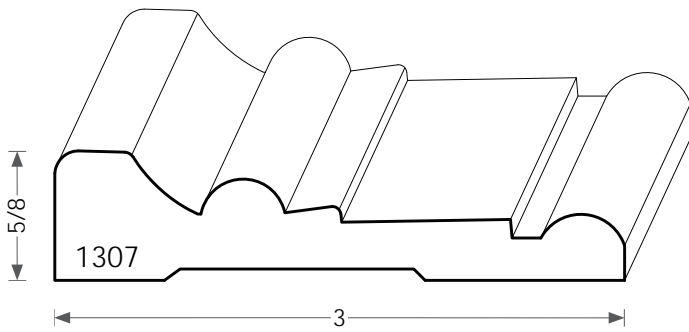
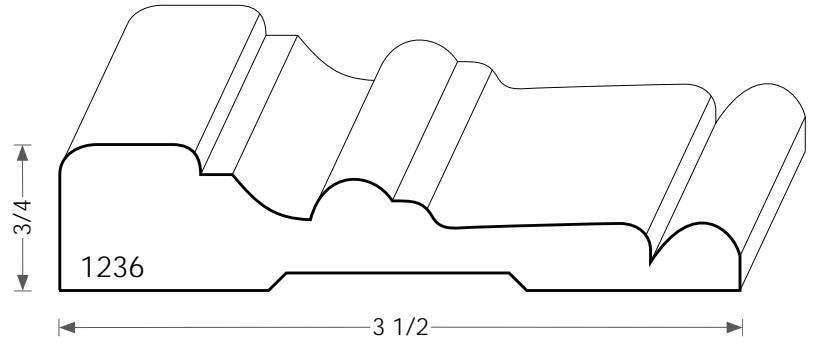
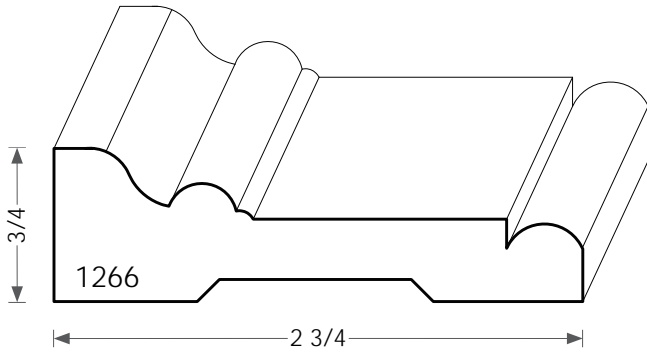
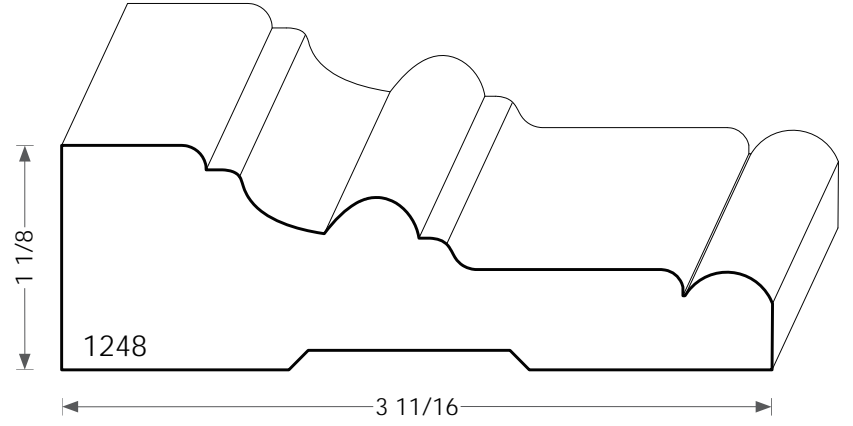
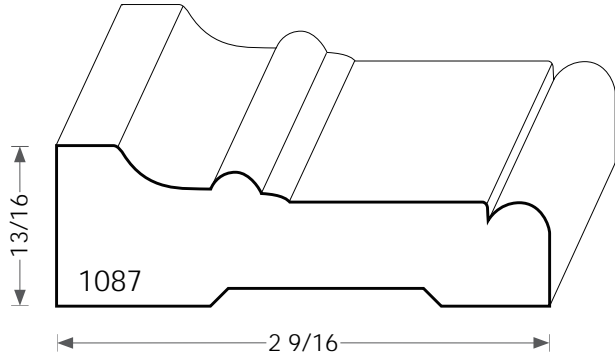
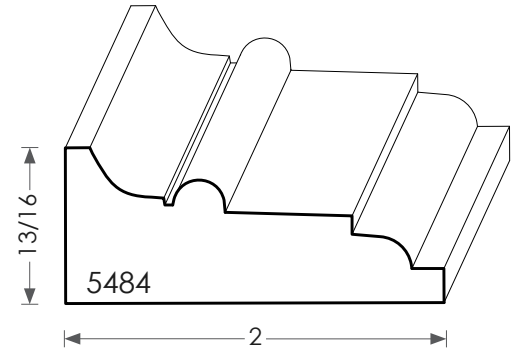
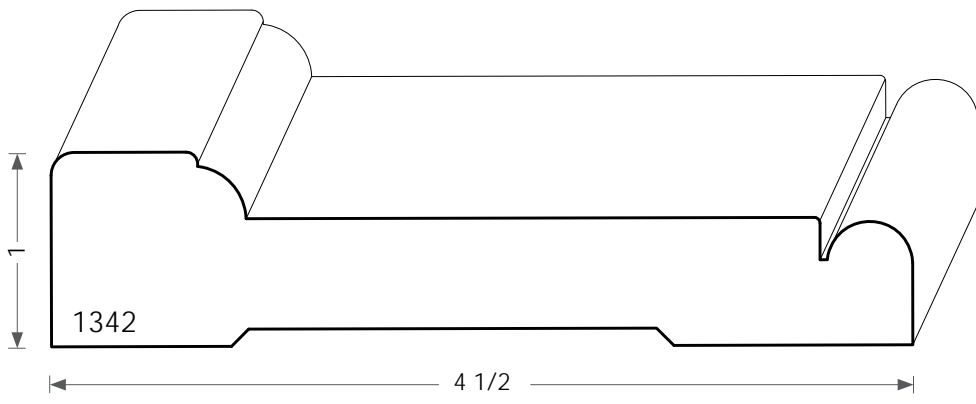


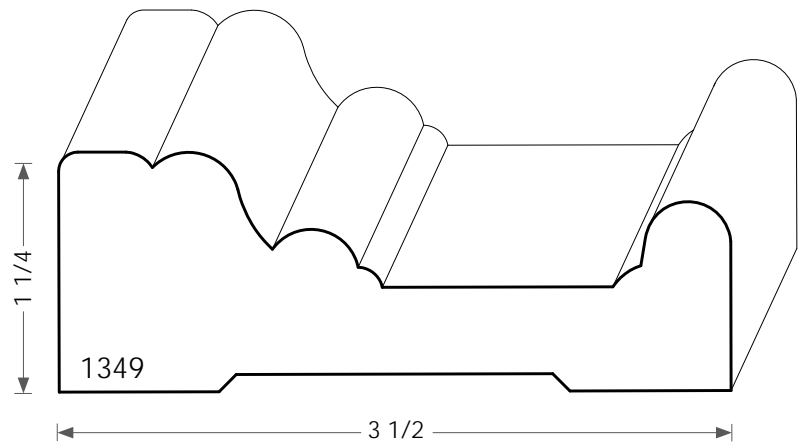
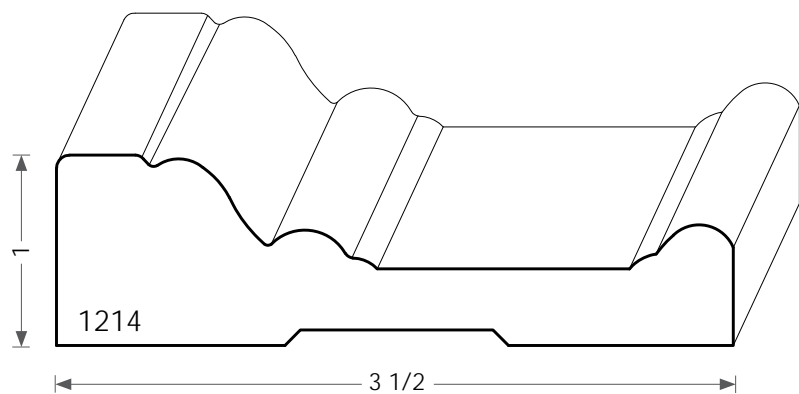
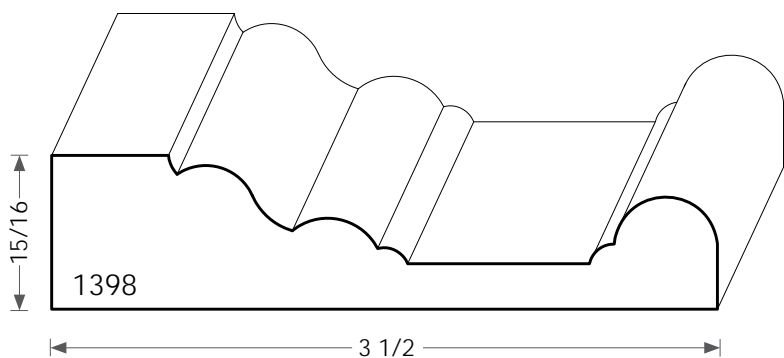
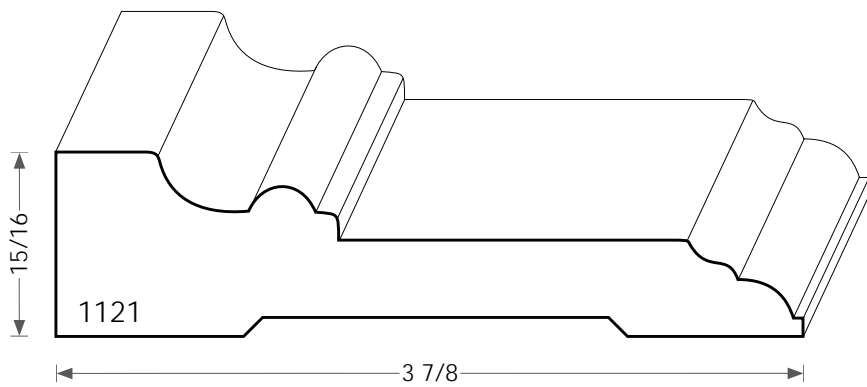
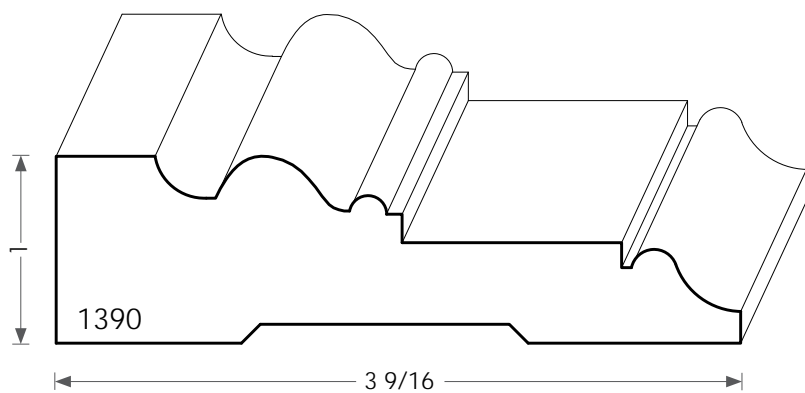


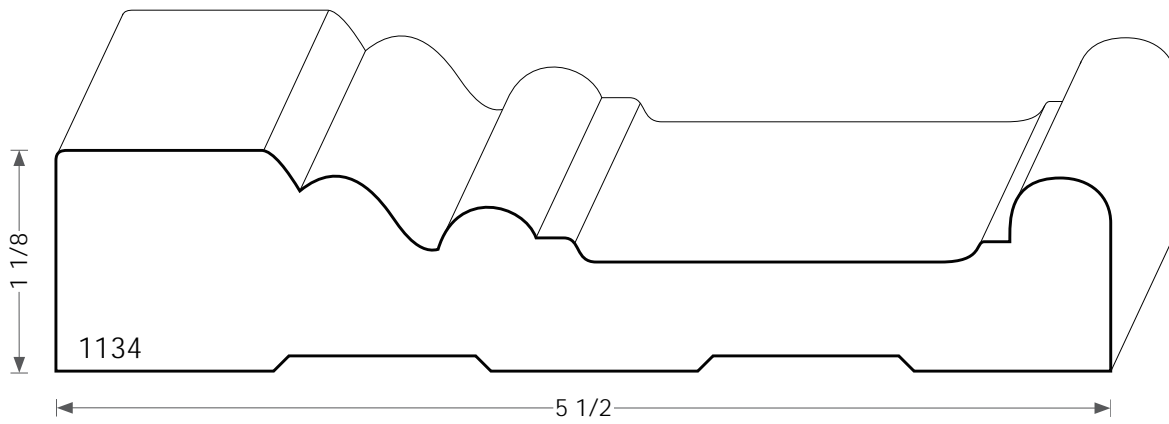
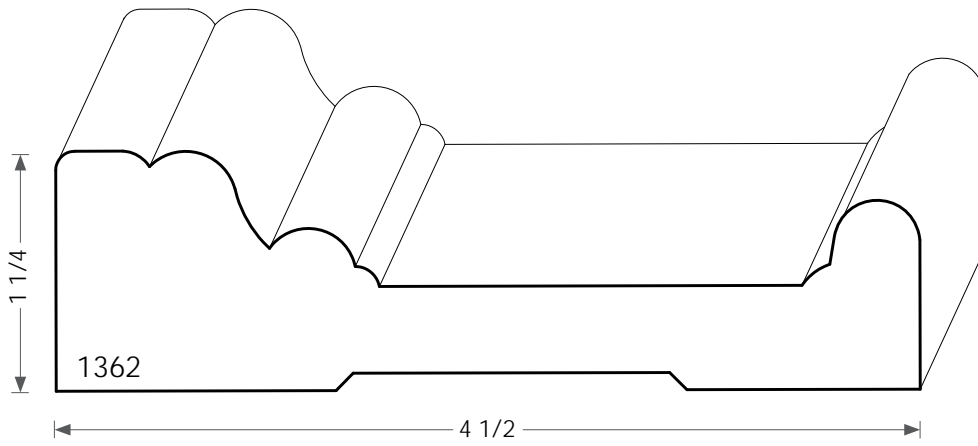
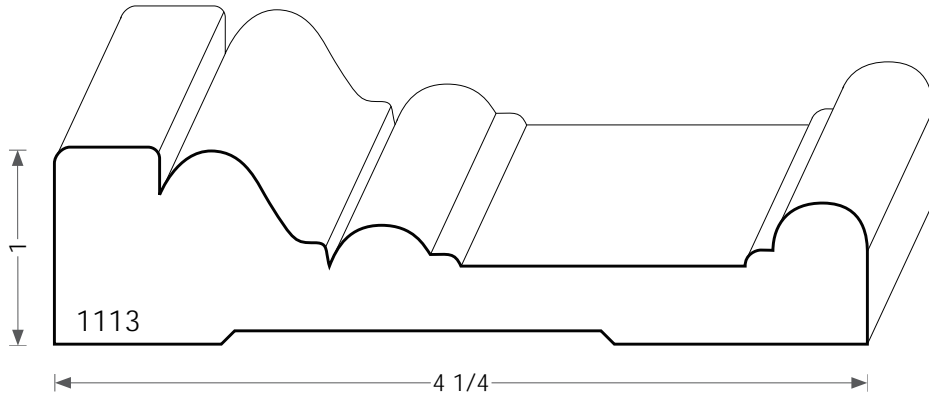
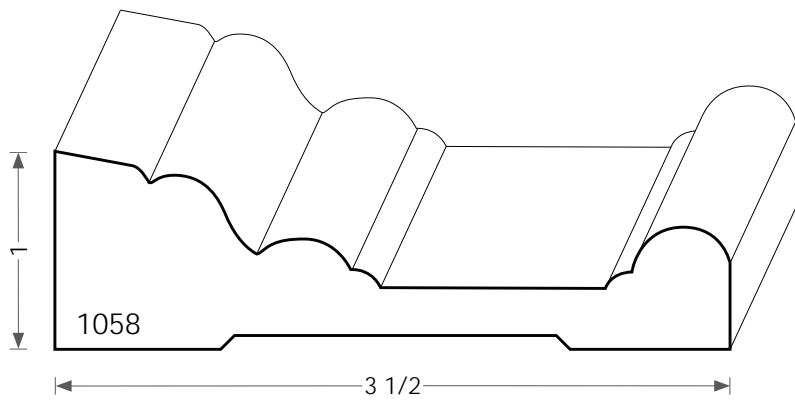
CASING

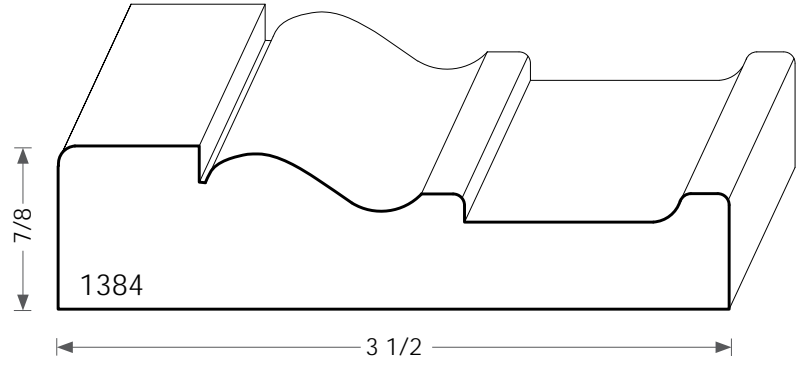
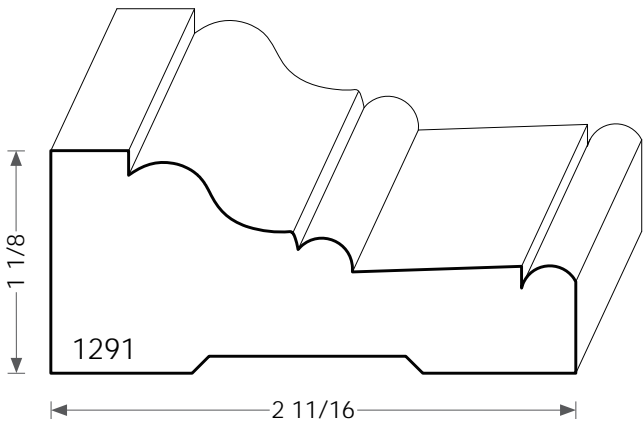




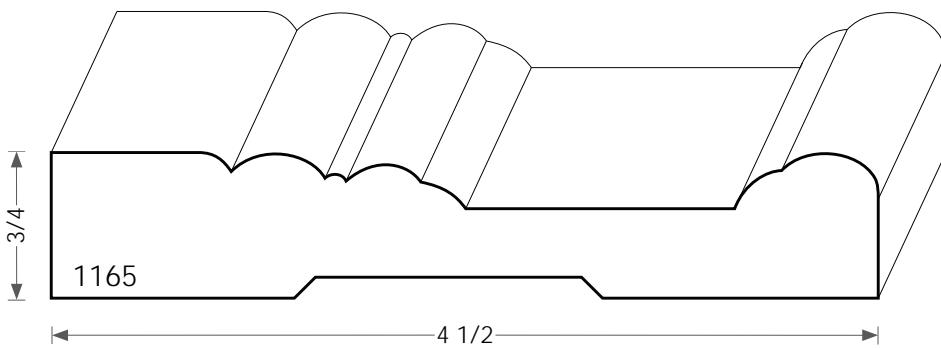
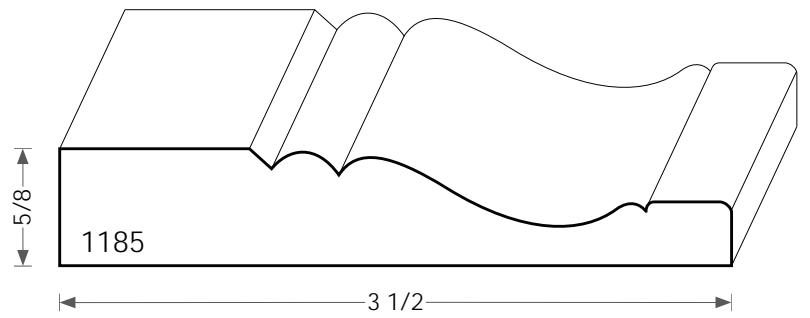
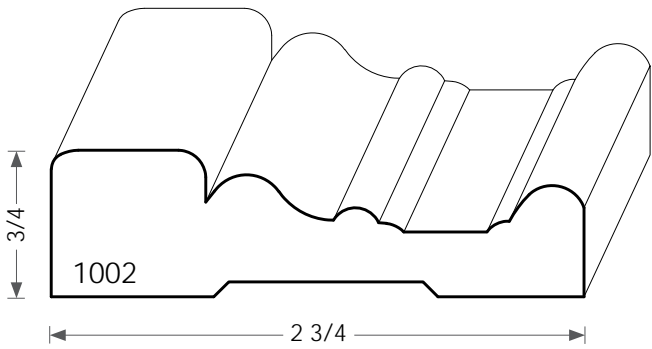
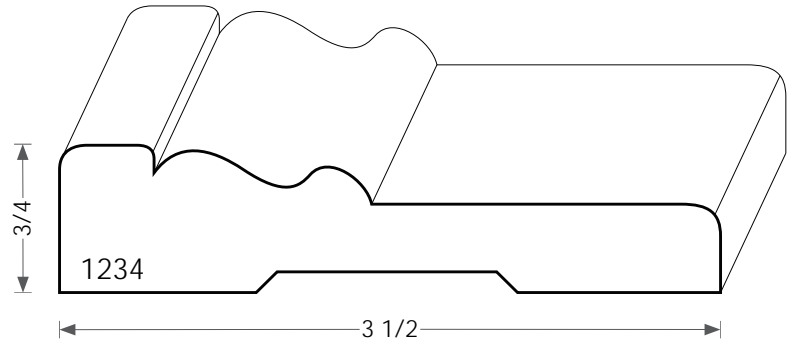
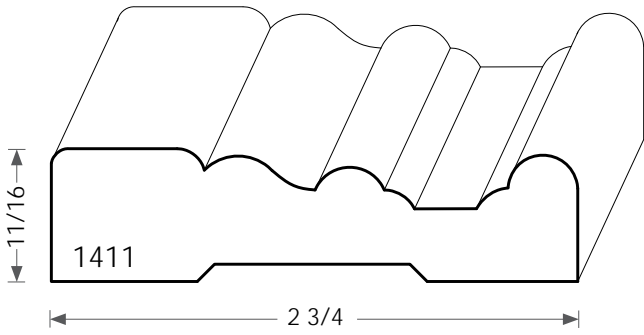
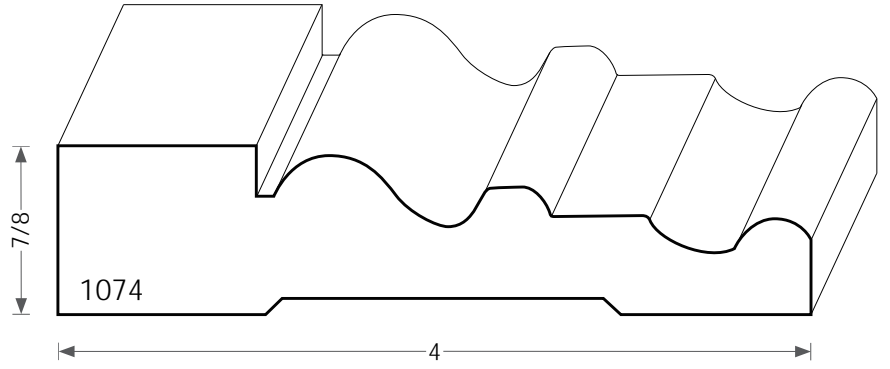
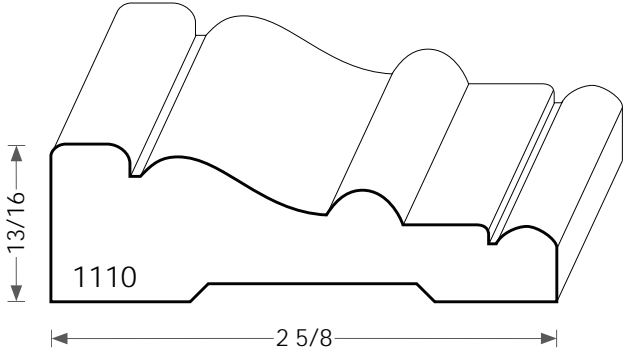


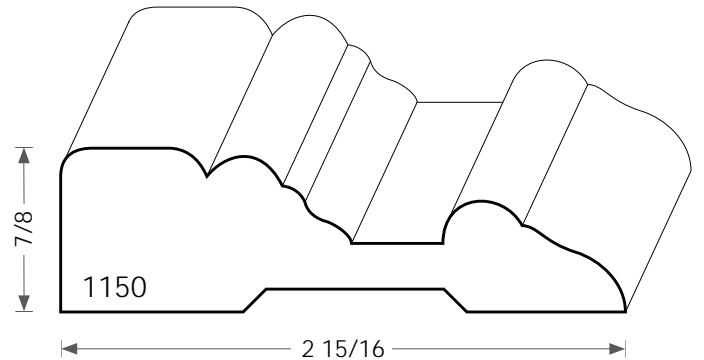
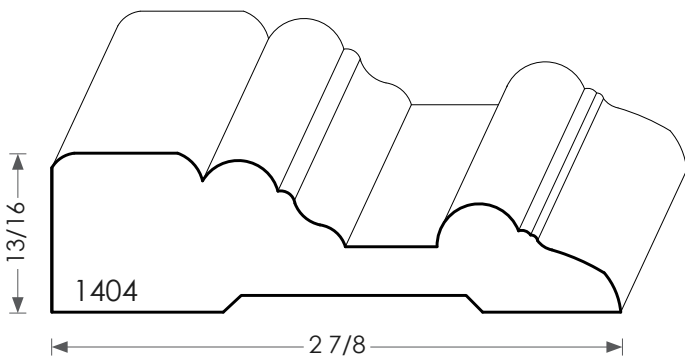
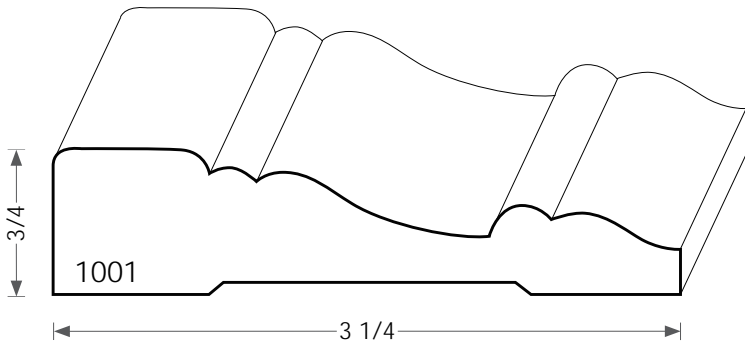
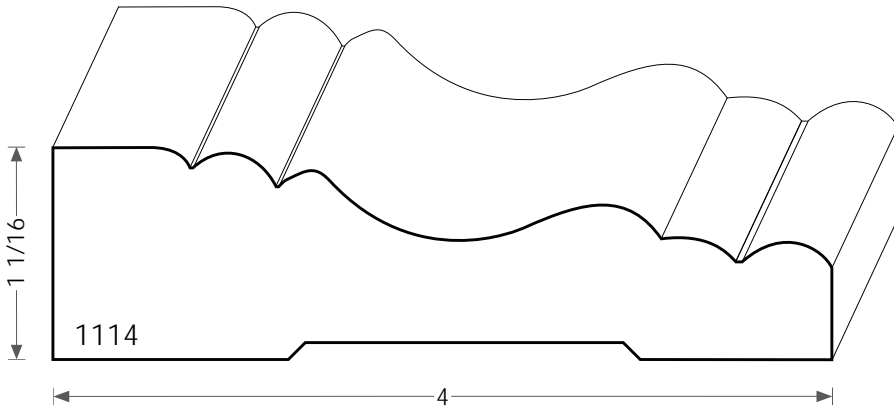
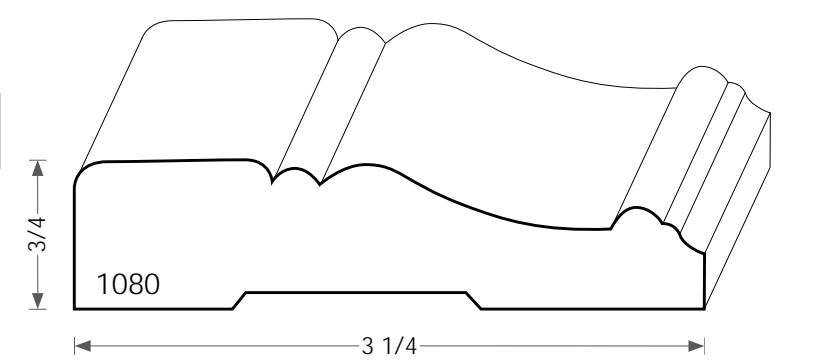
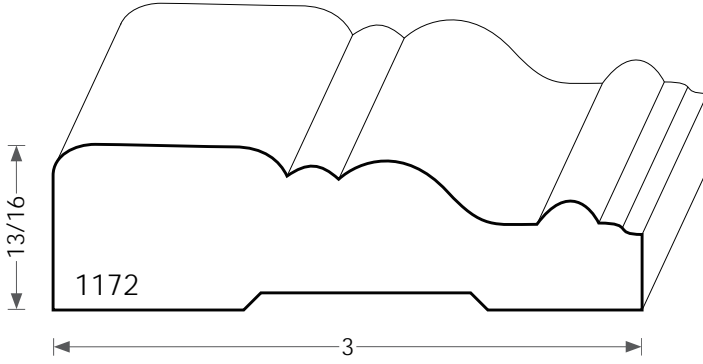
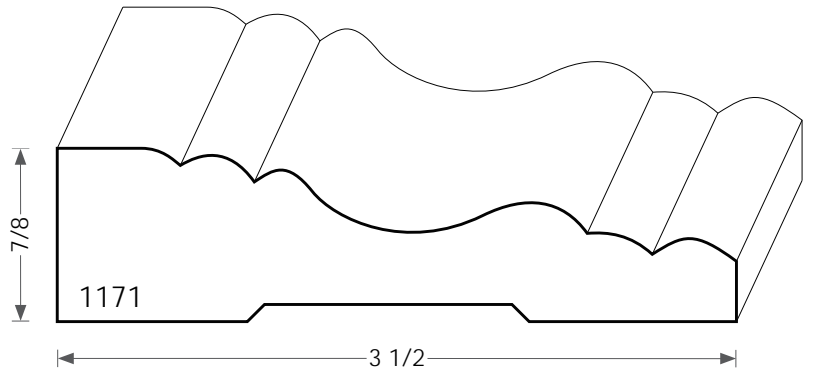
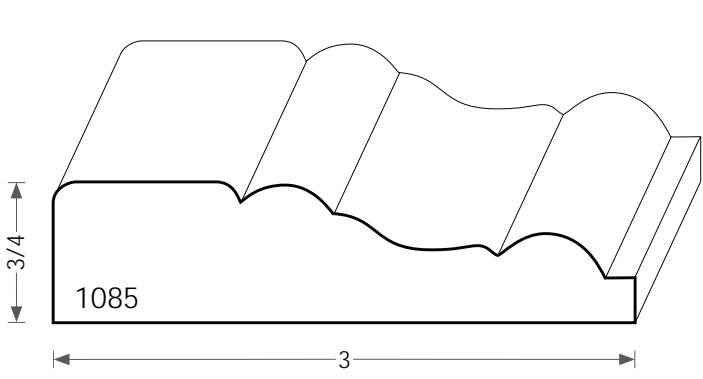




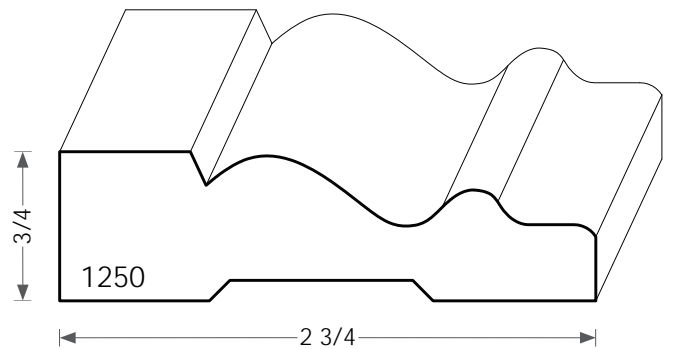
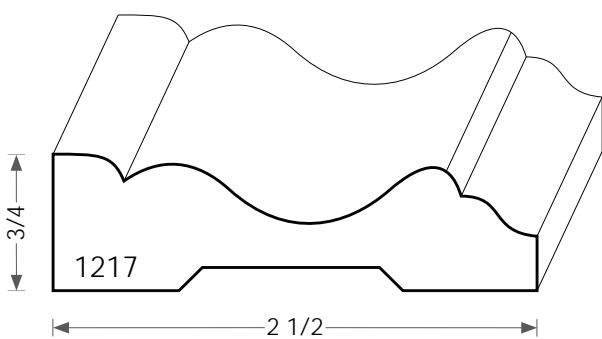
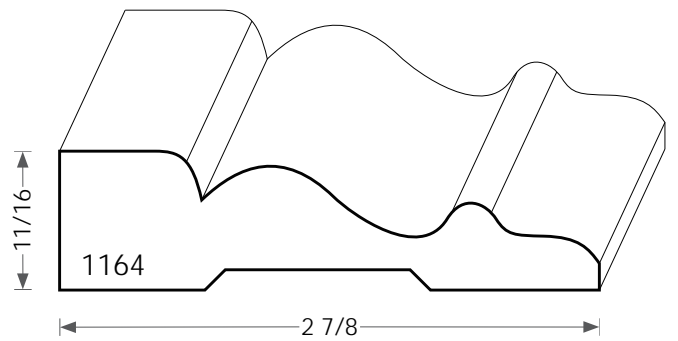
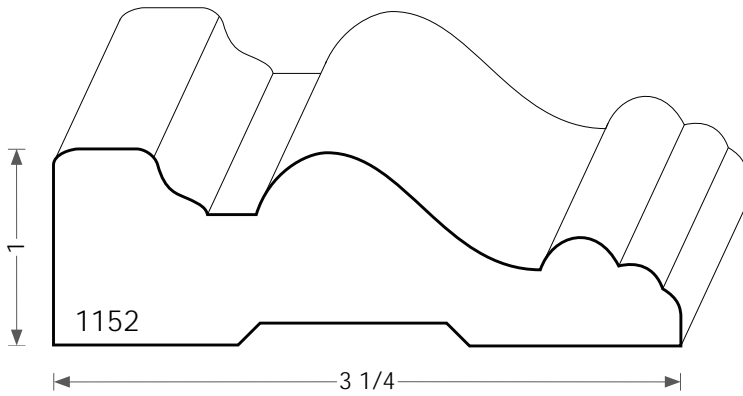
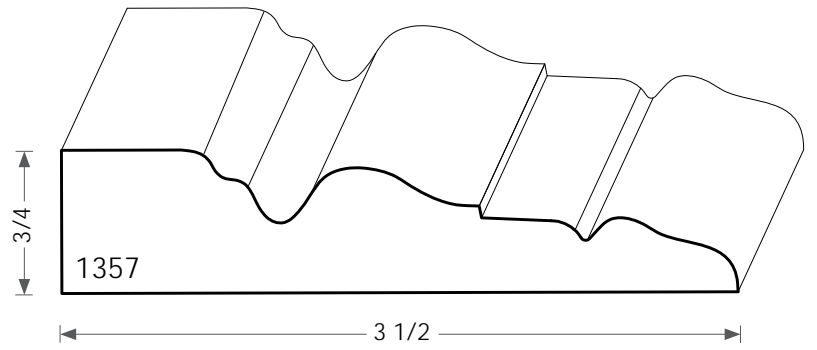
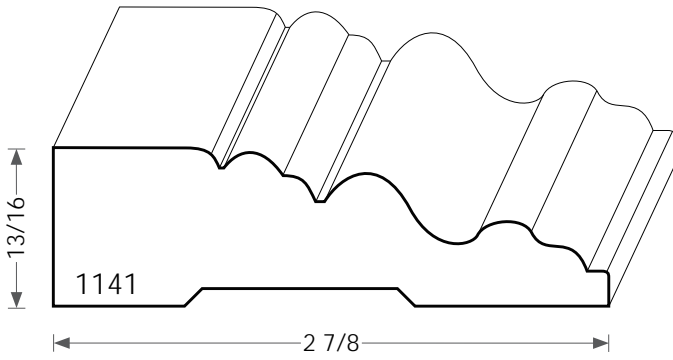
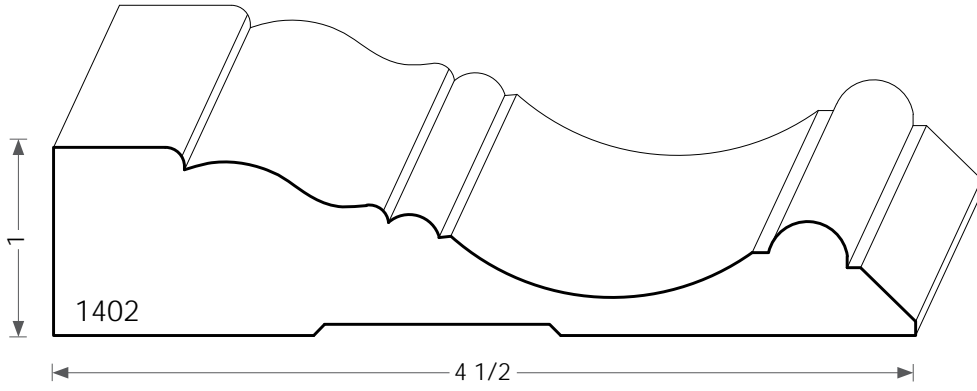
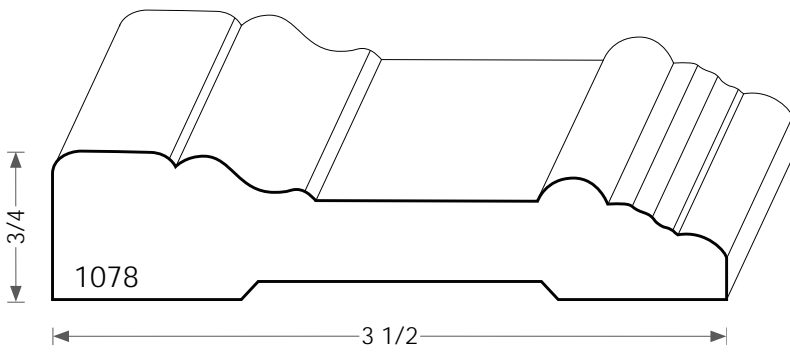


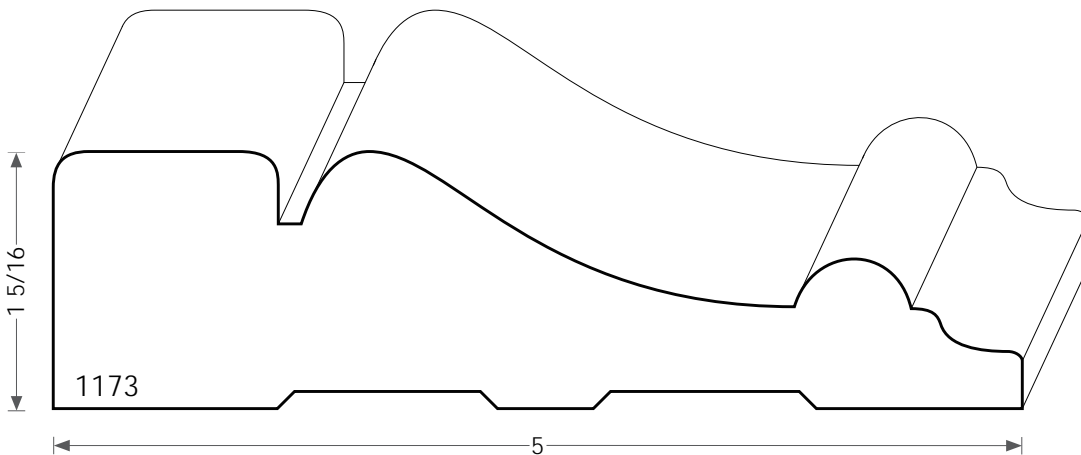
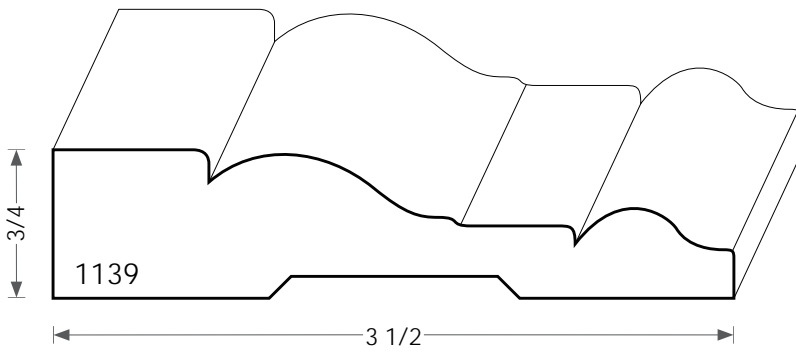
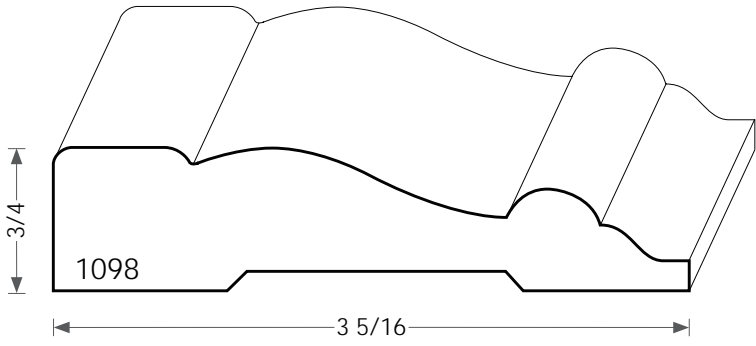
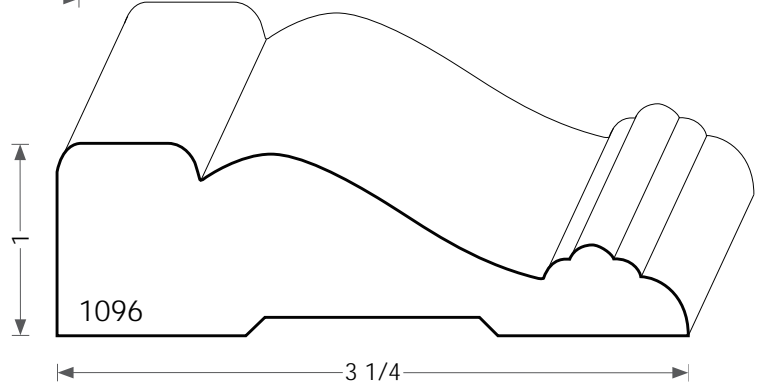
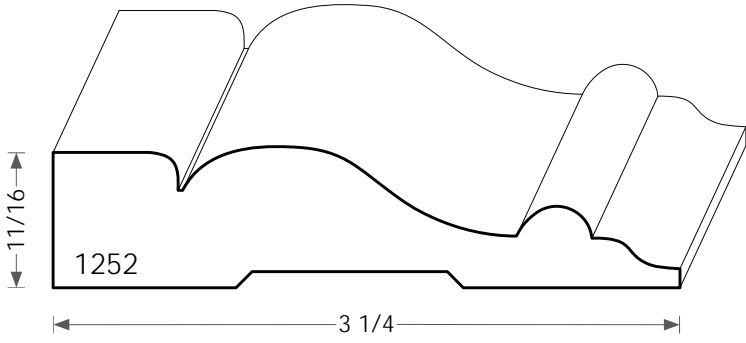
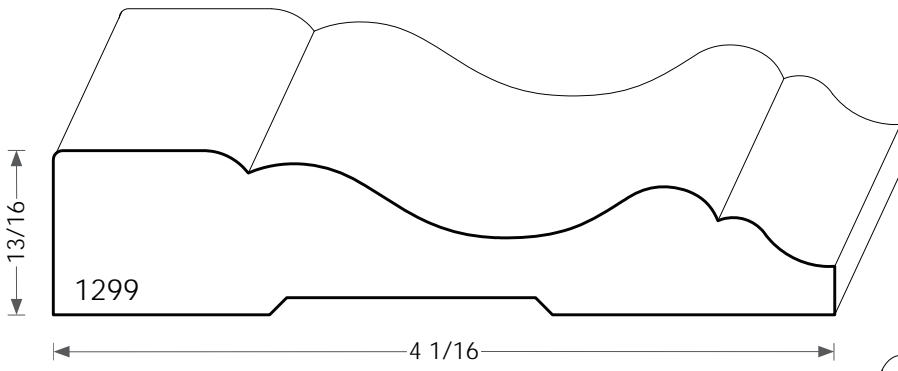
CASING



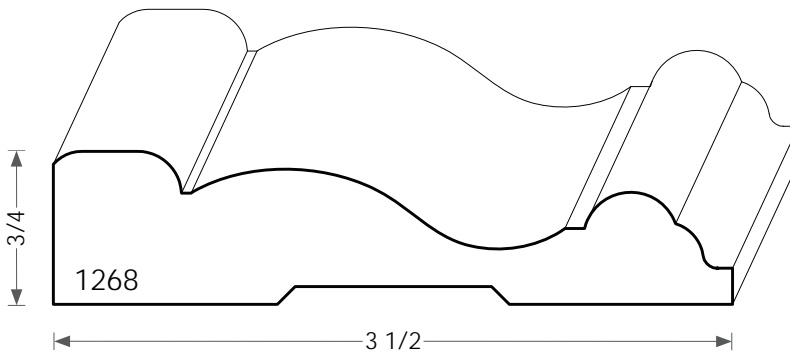
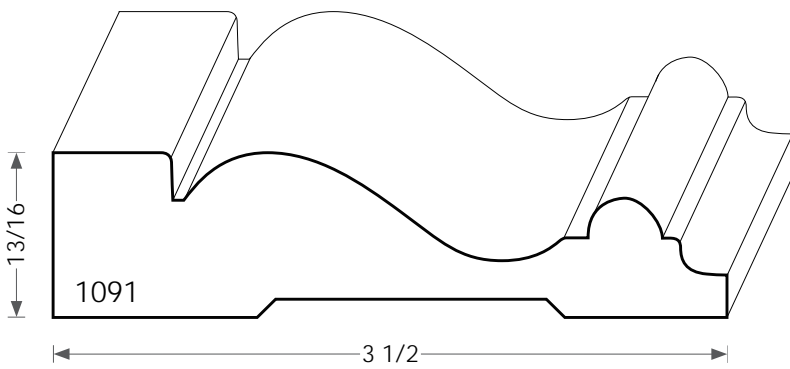
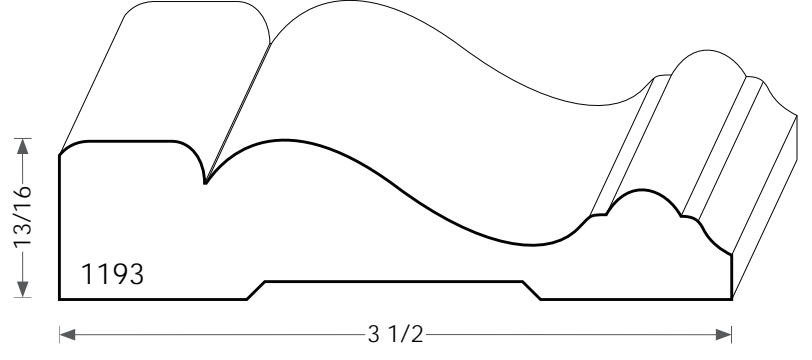
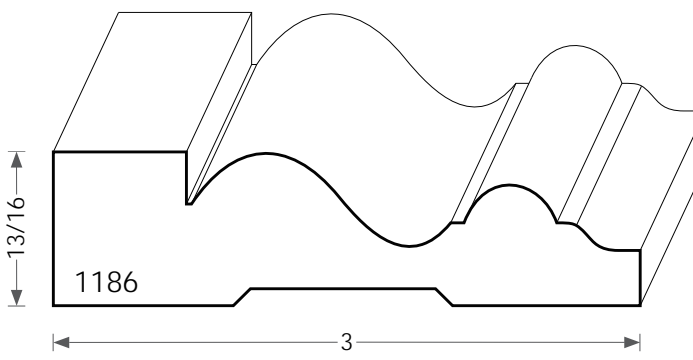
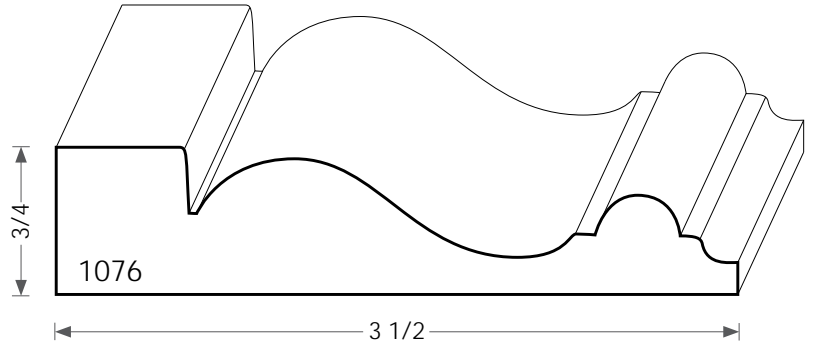
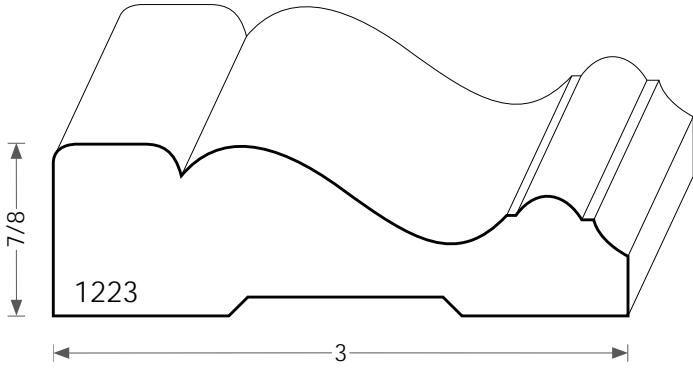
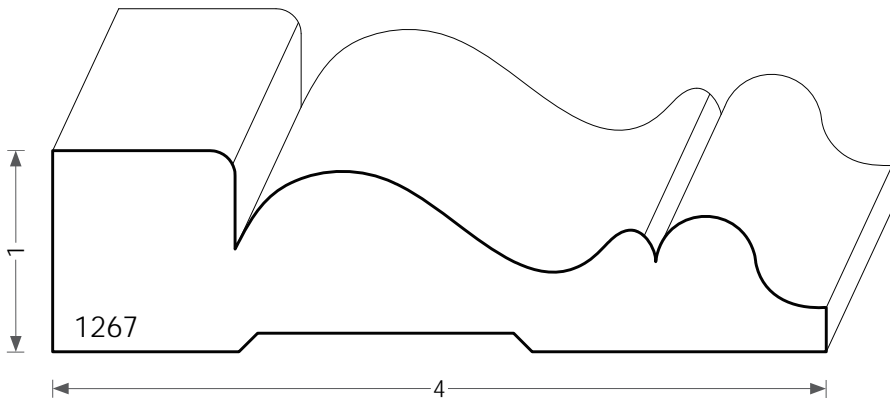


CASING

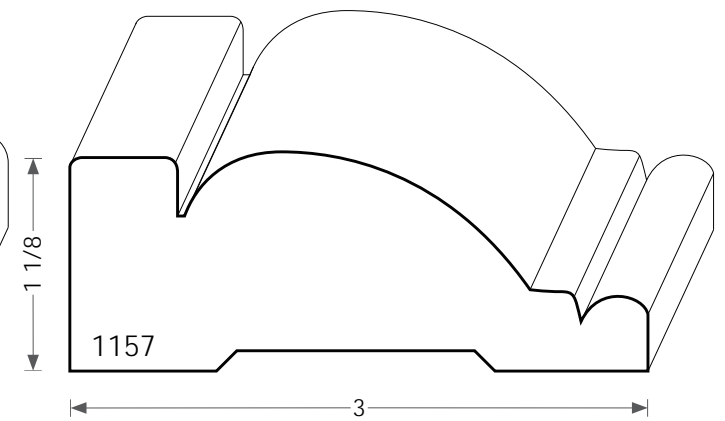
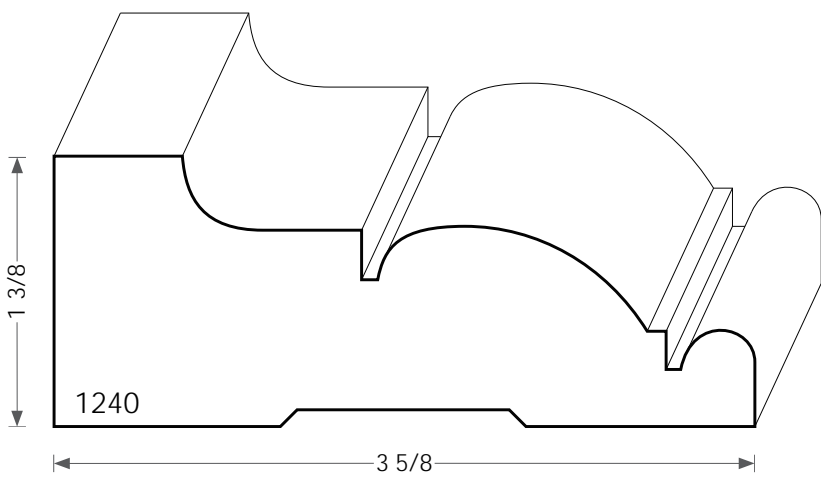
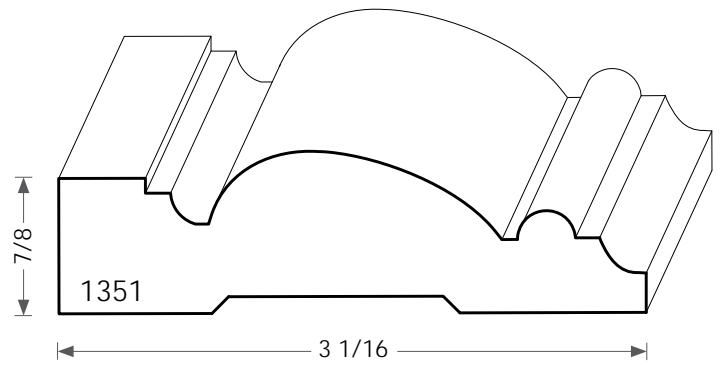
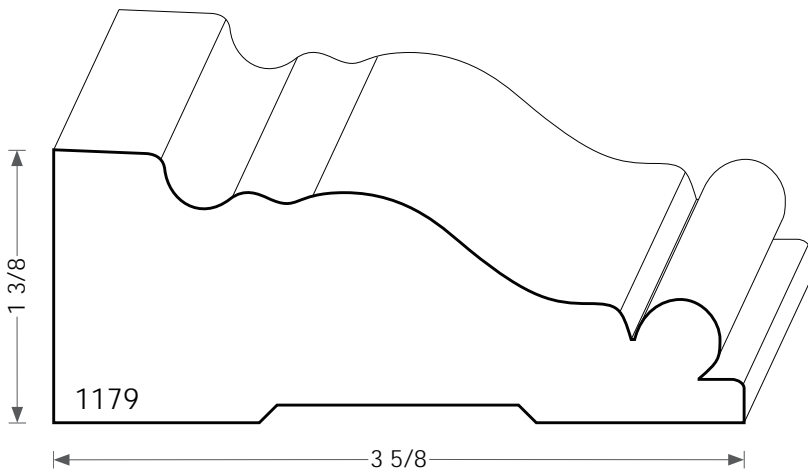
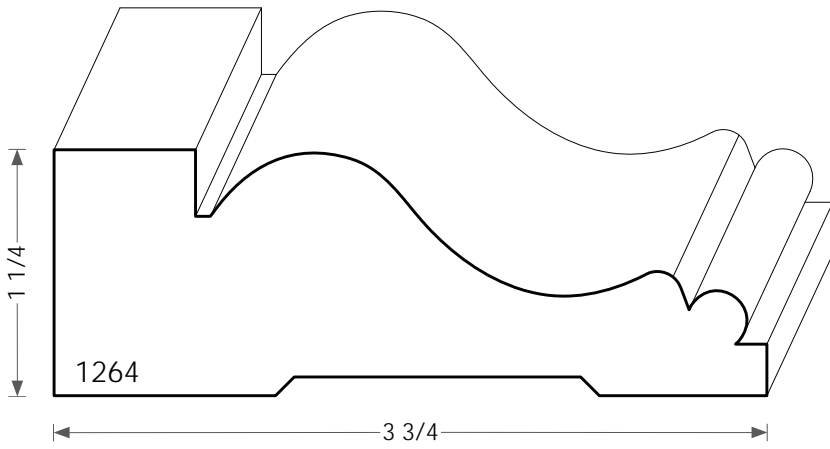
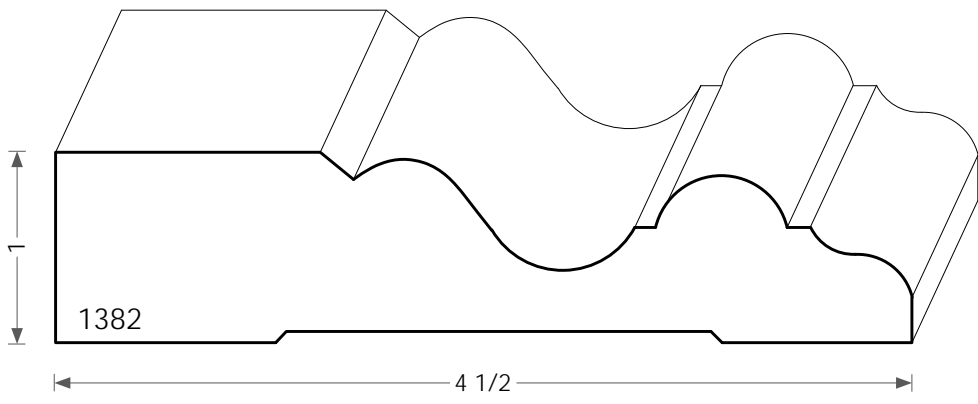


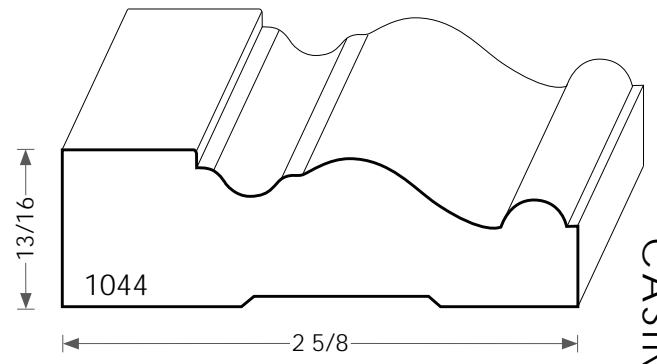
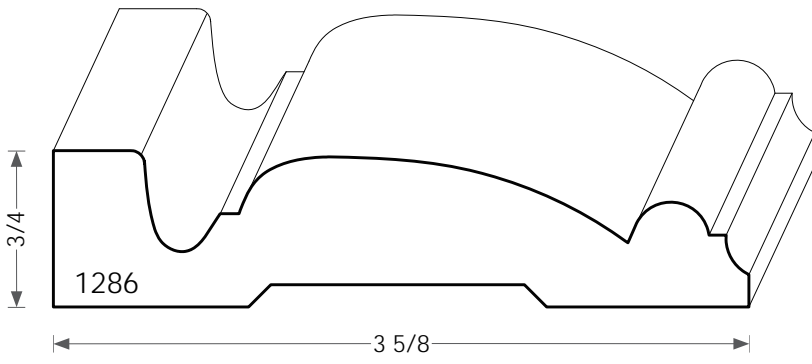


CASING

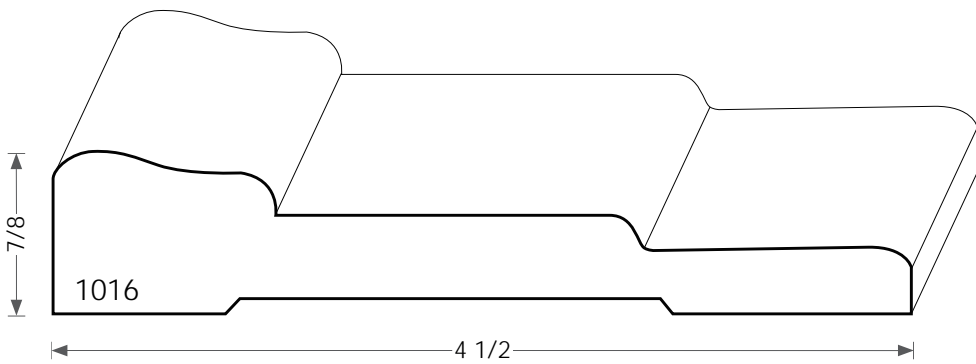
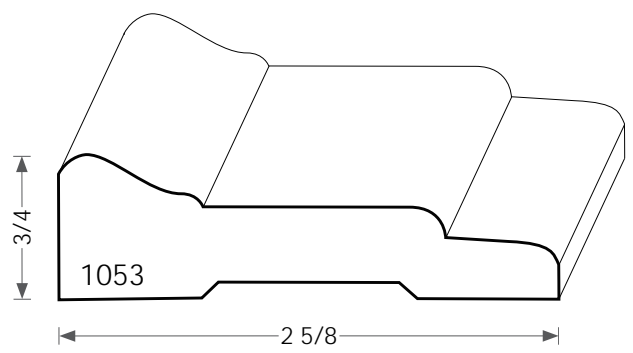
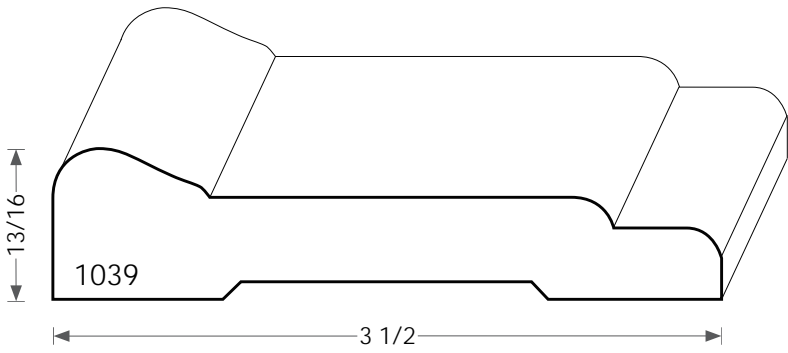
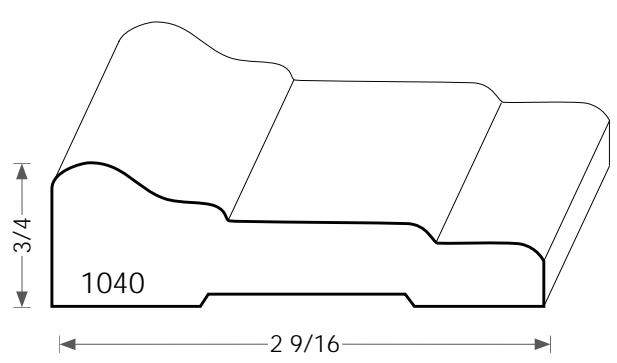
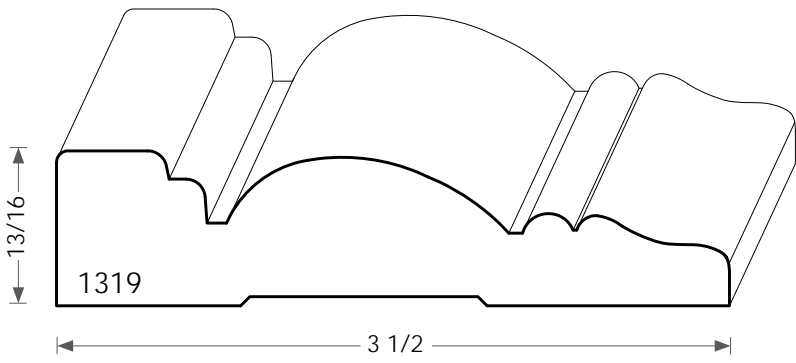
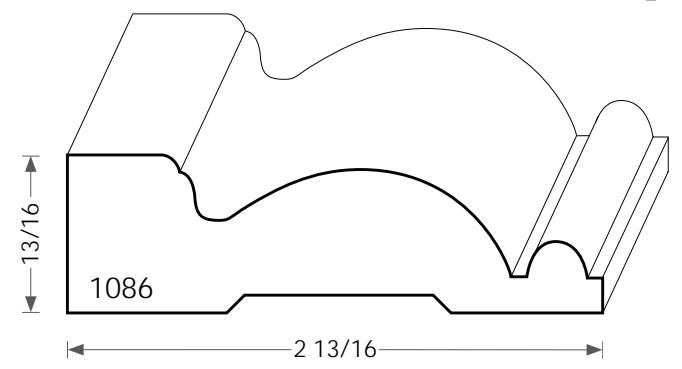
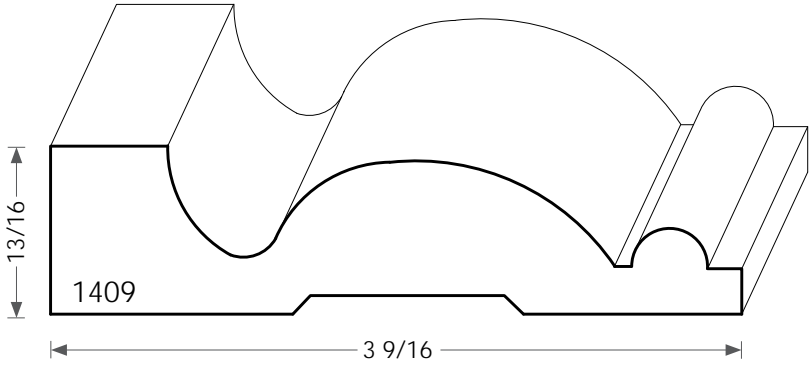


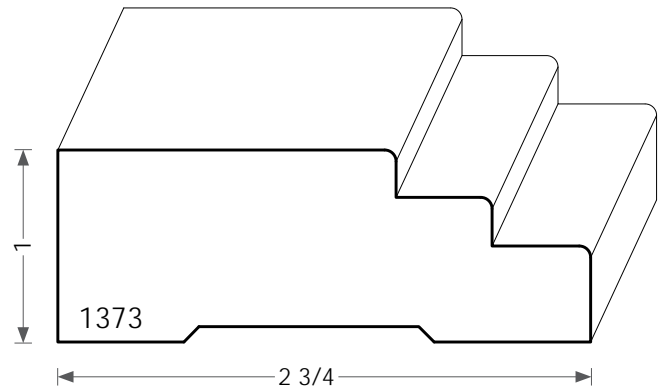
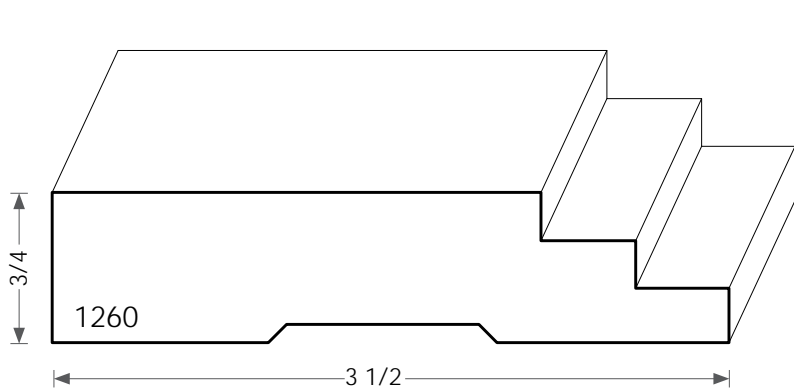
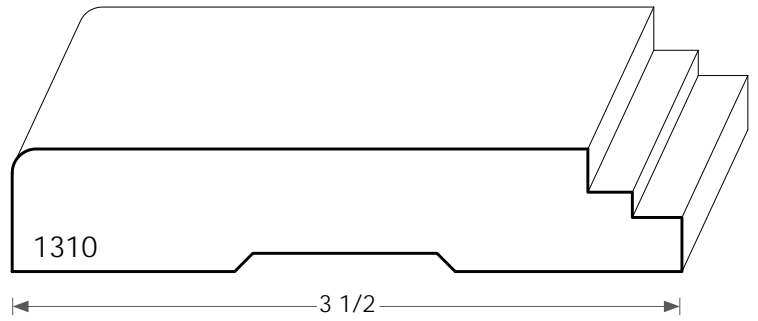
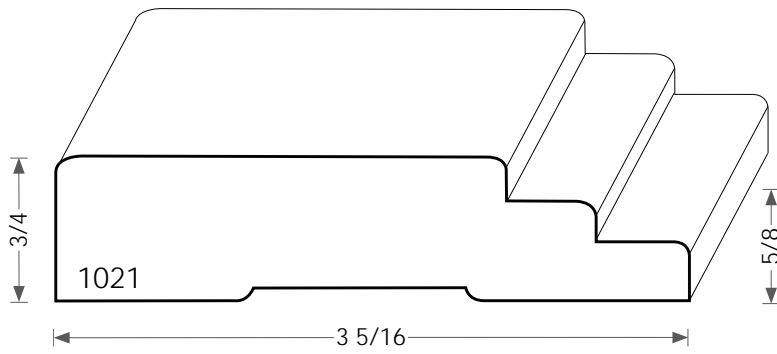
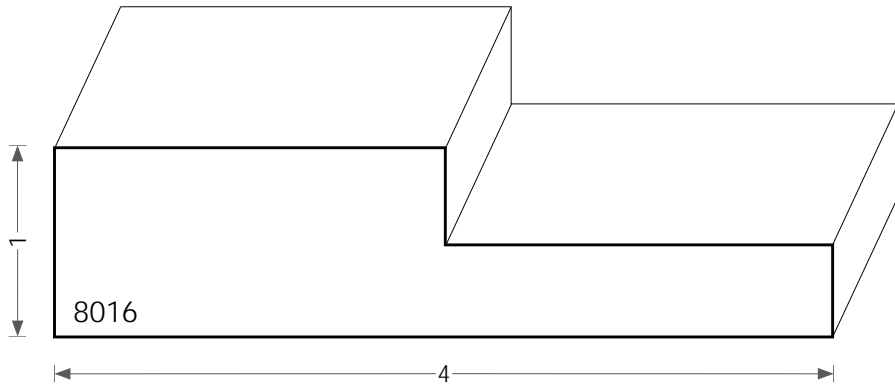
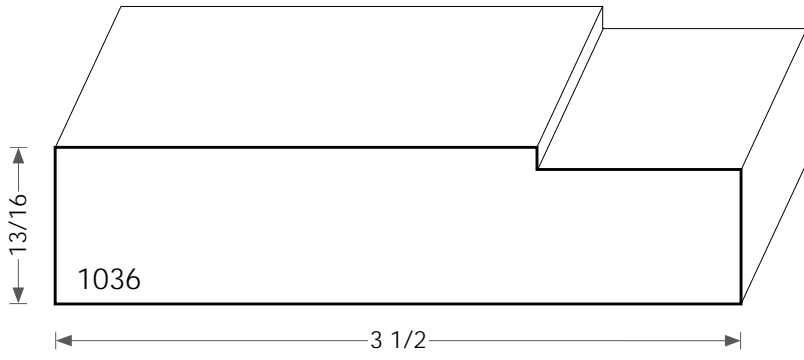
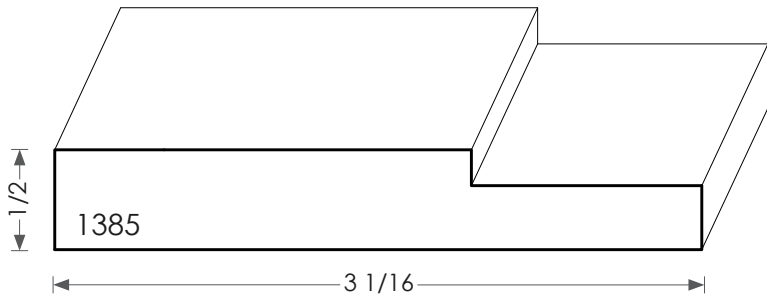




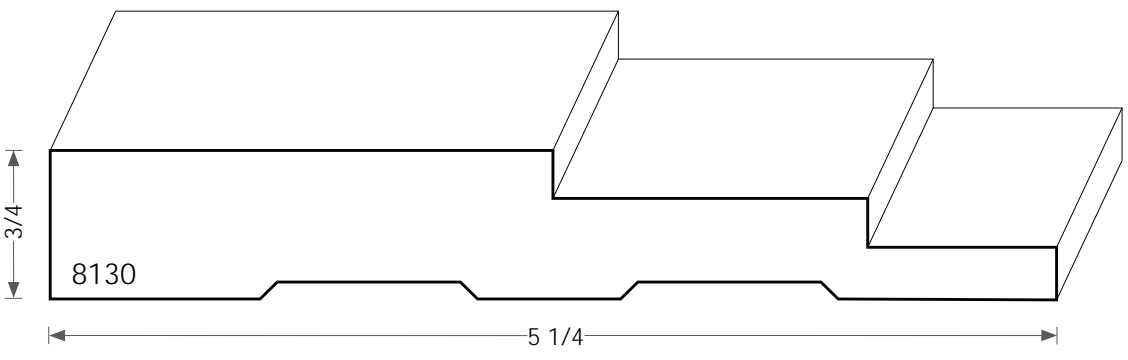
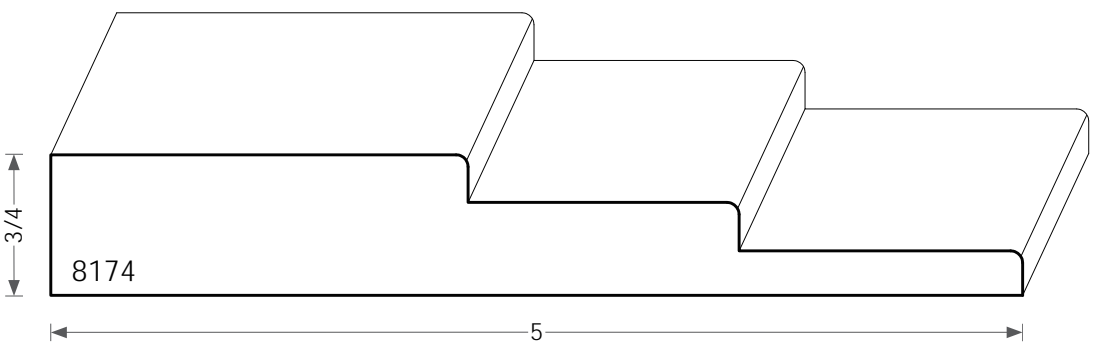
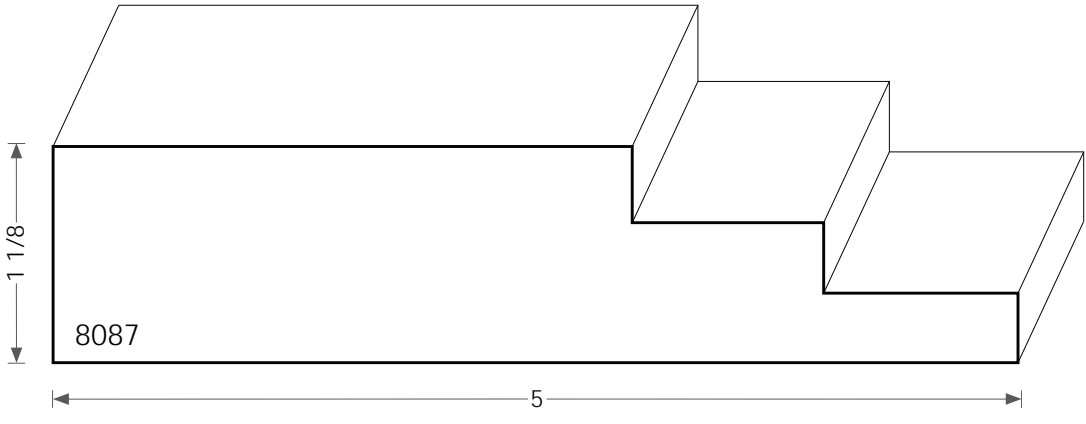
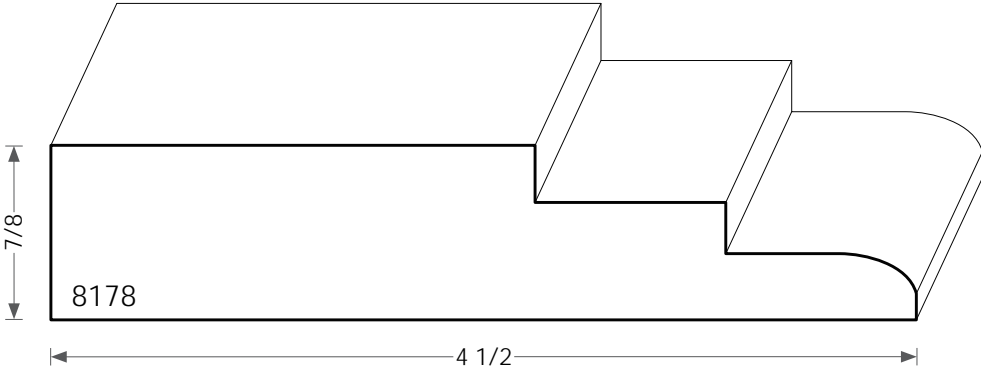
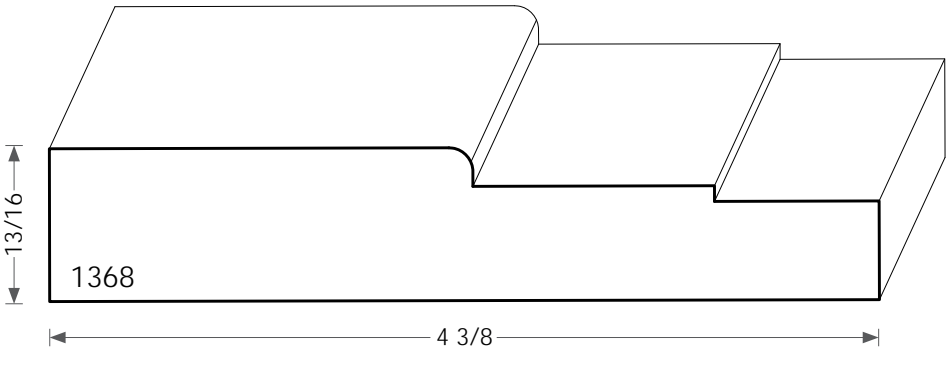


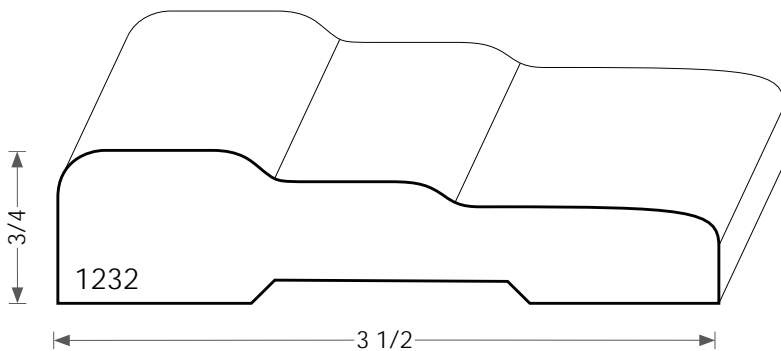
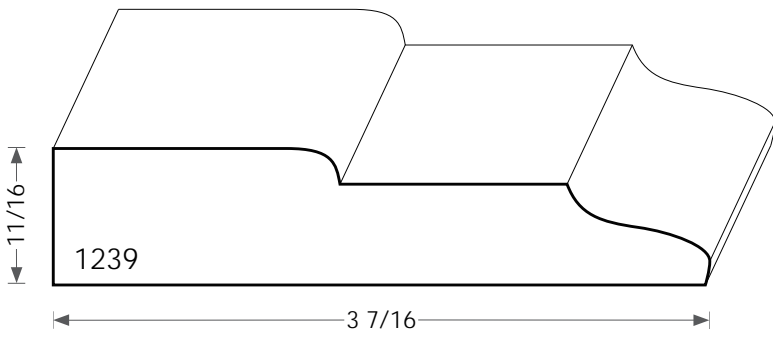
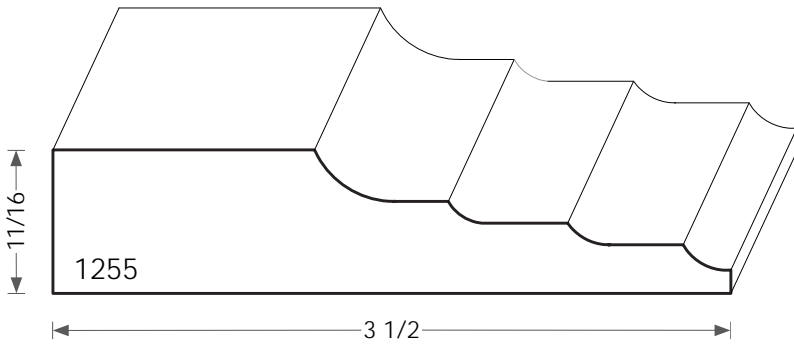
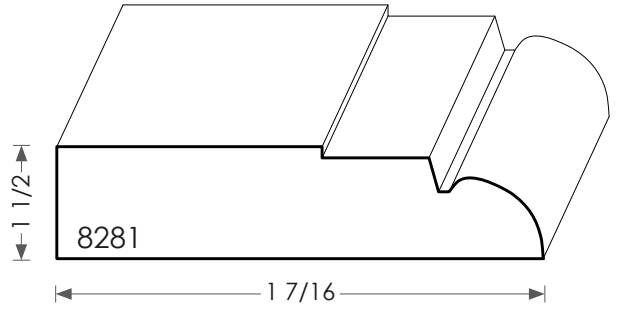
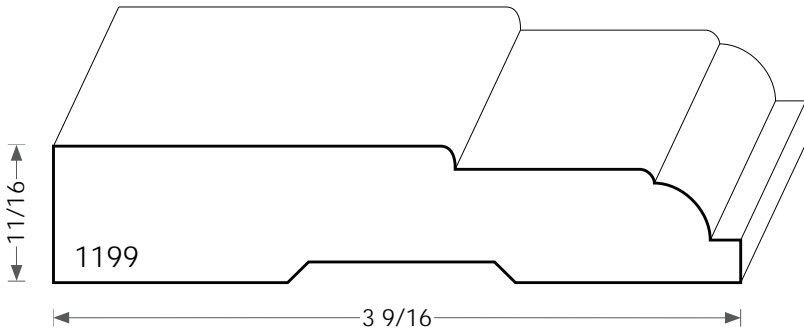
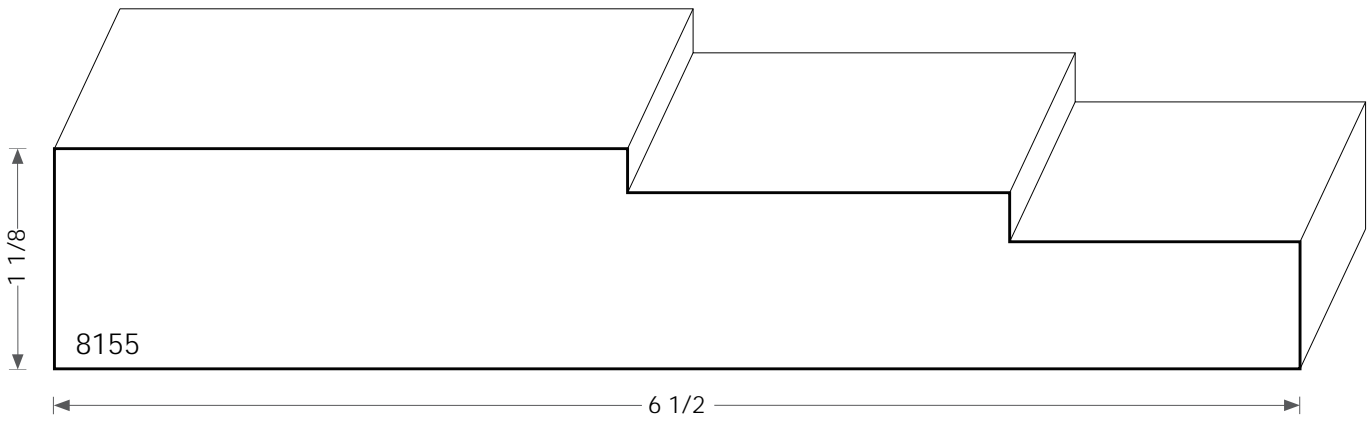
CASING



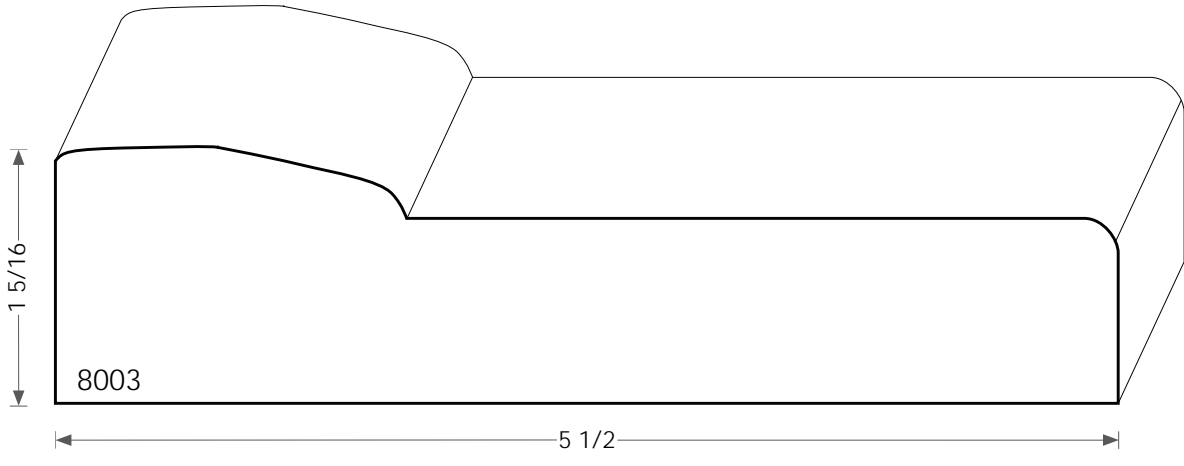
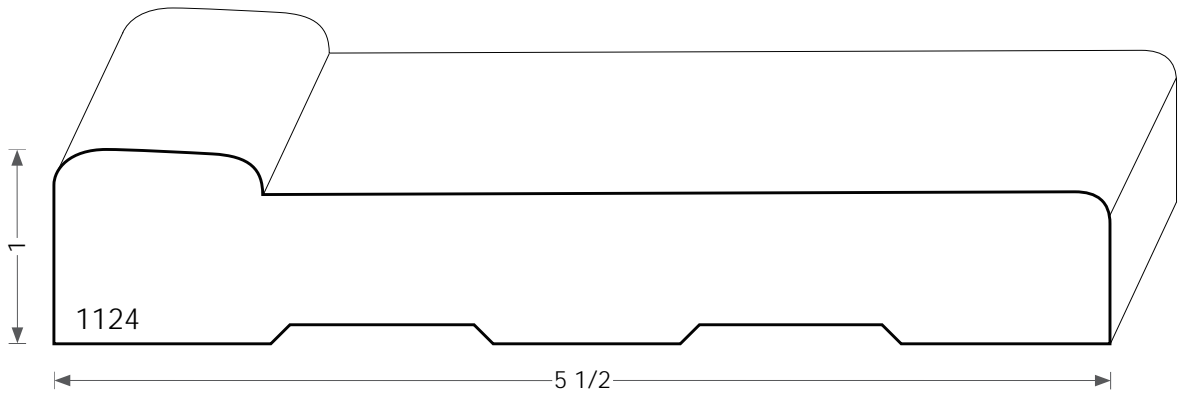
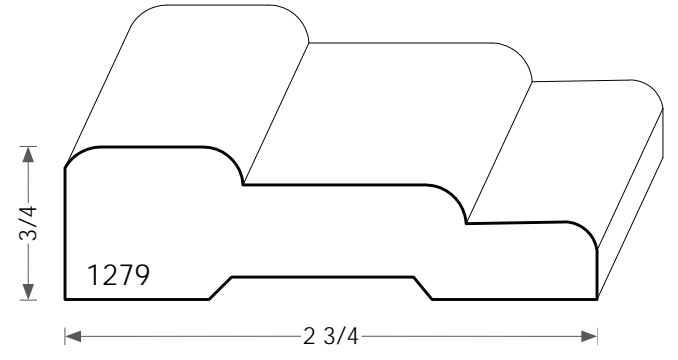
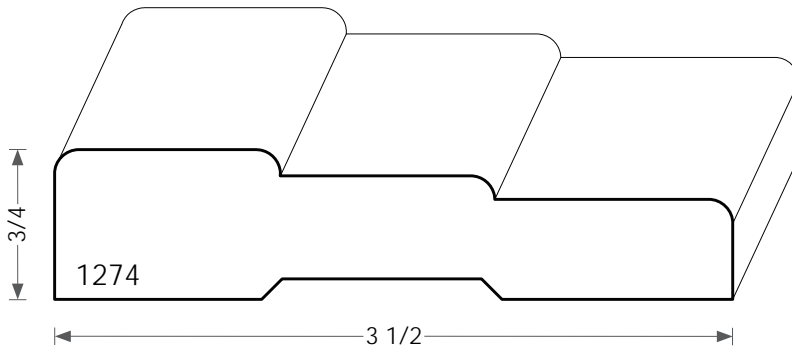
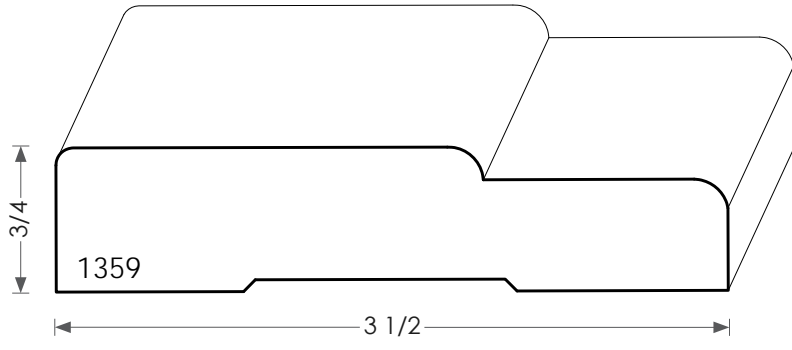
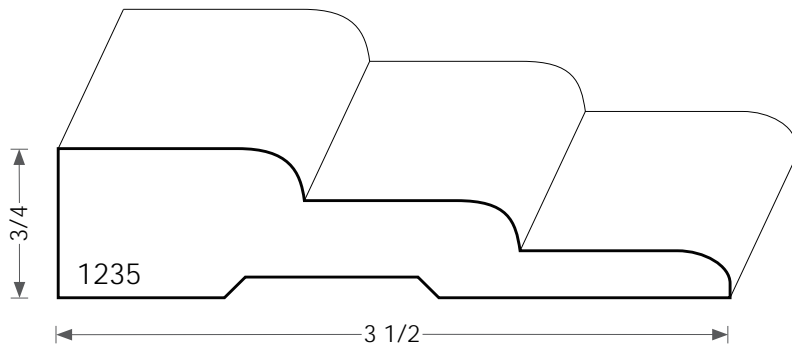


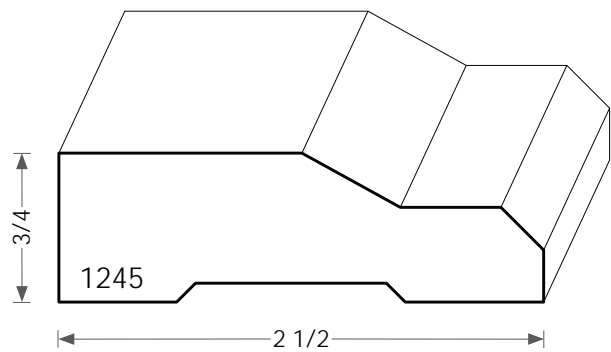
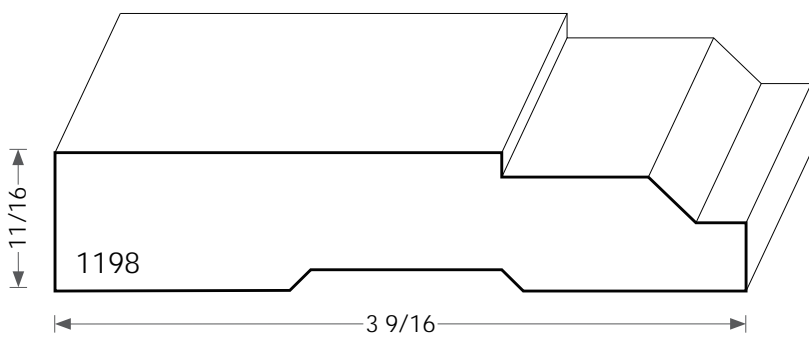
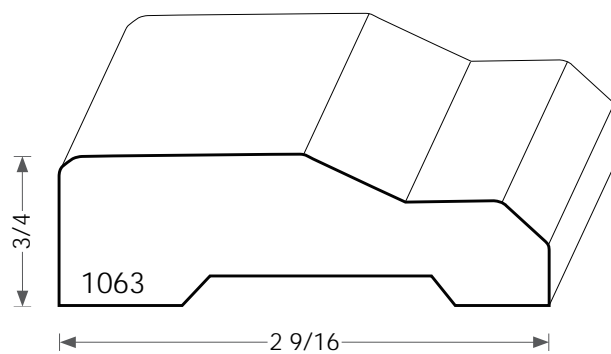
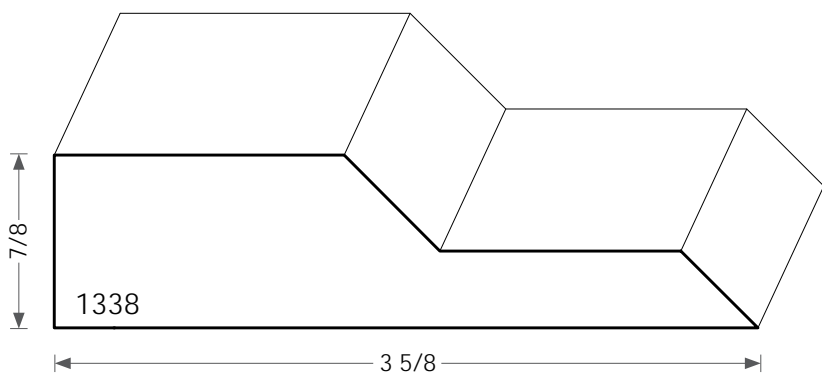
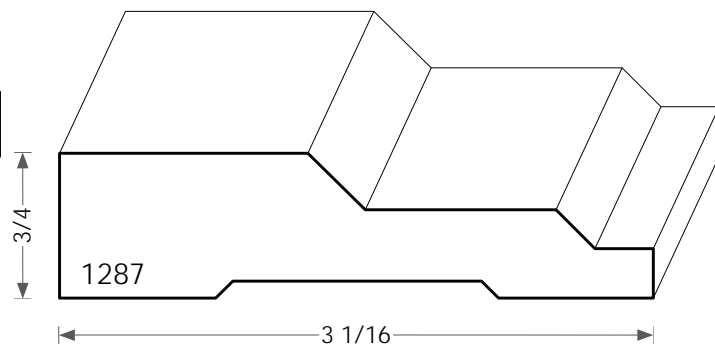
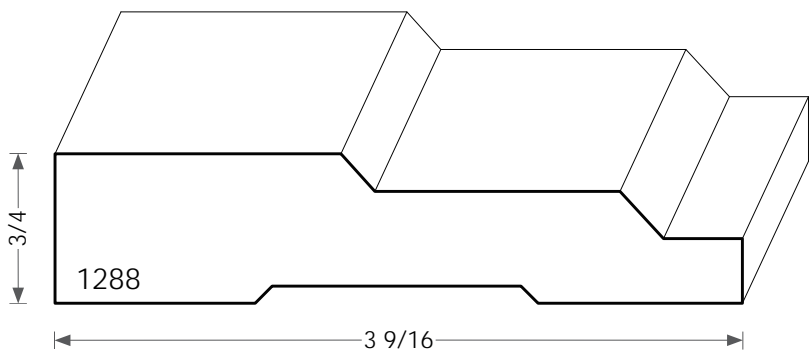
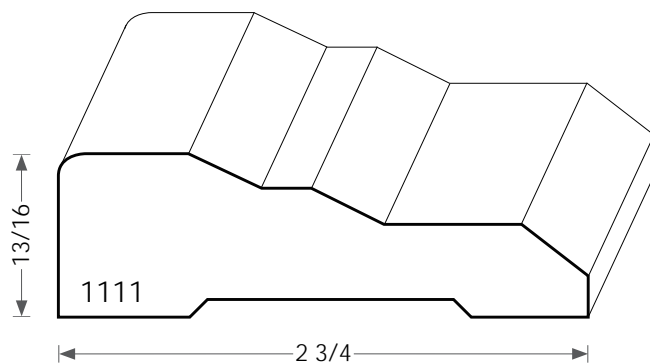
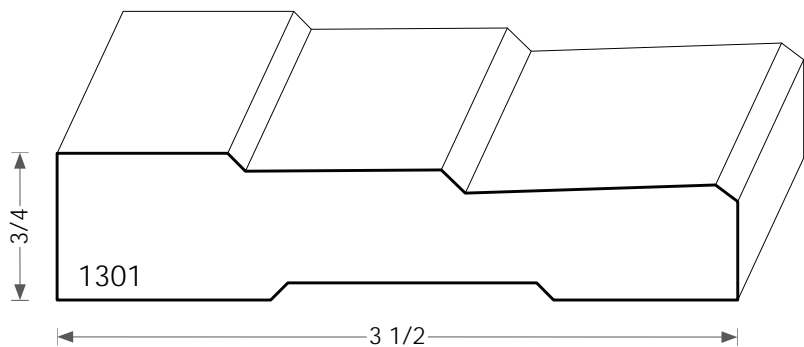
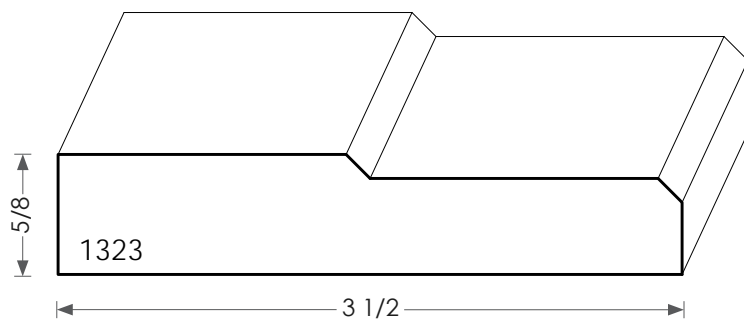
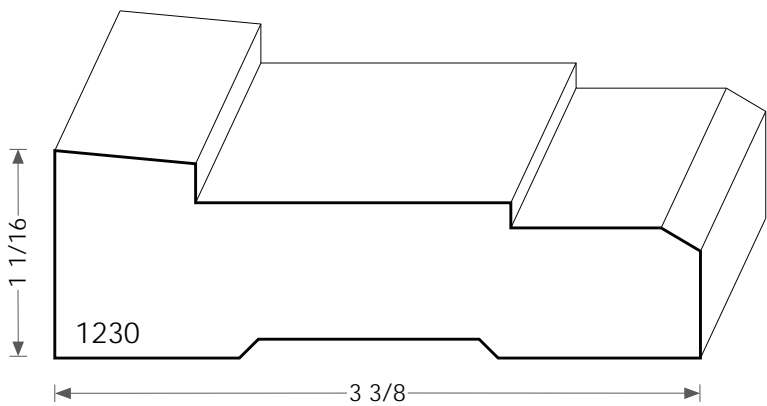
CASING  
STEPPED

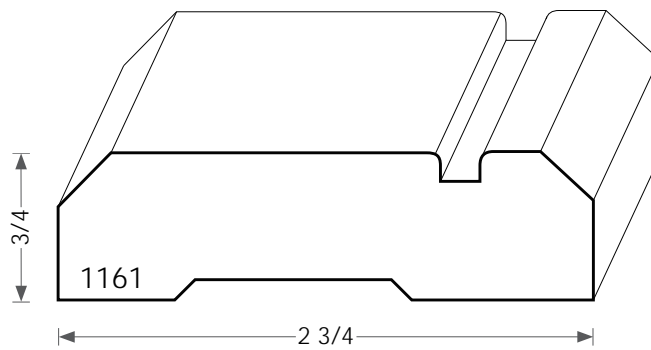
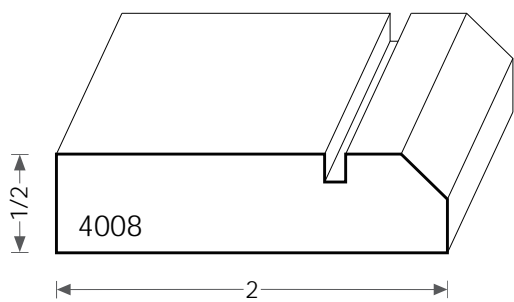
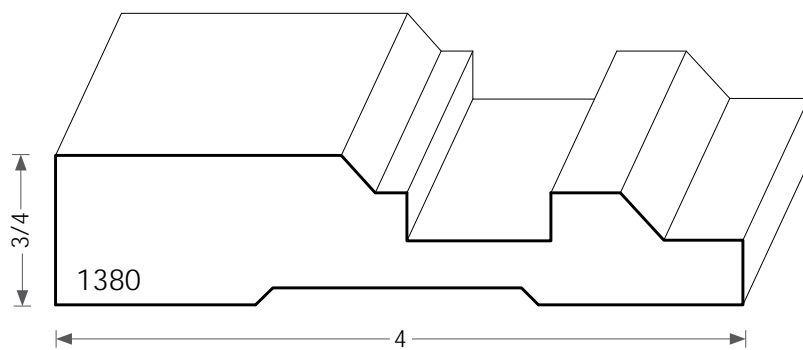
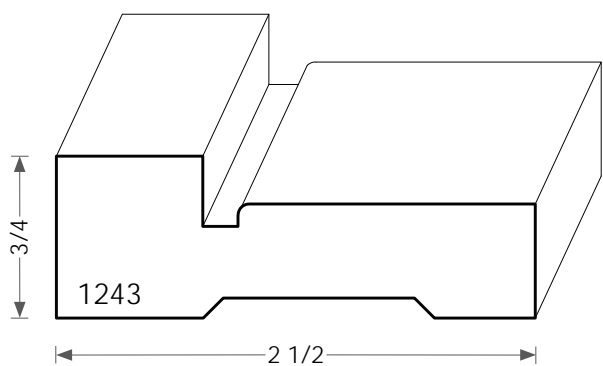
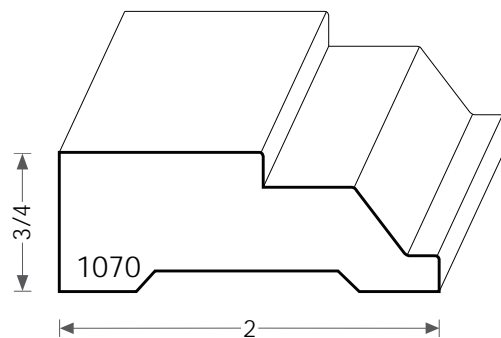
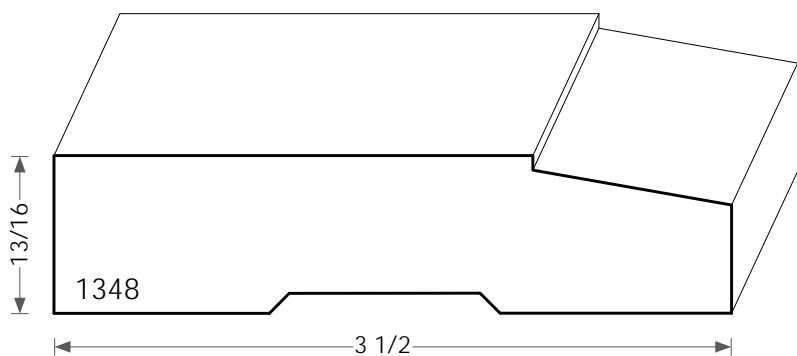
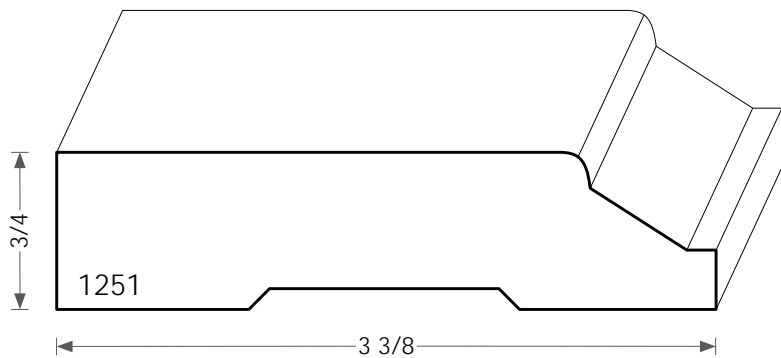




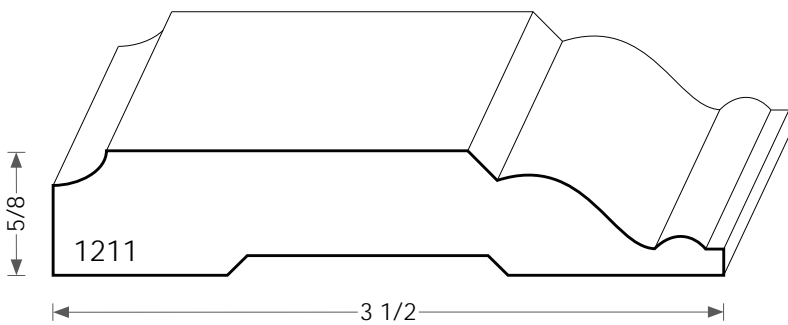
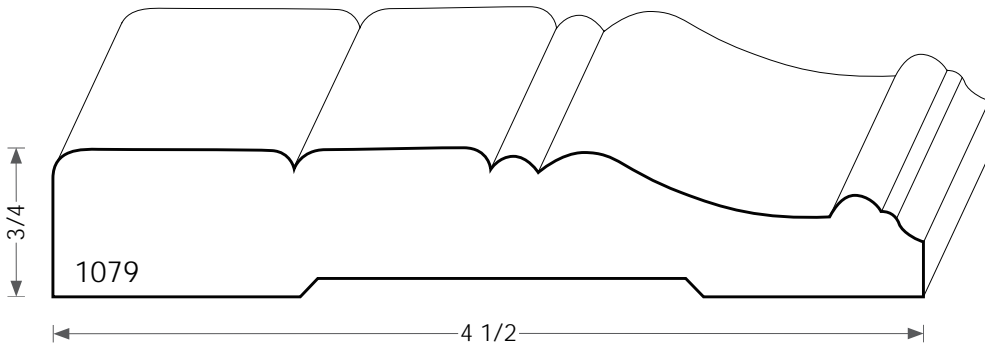
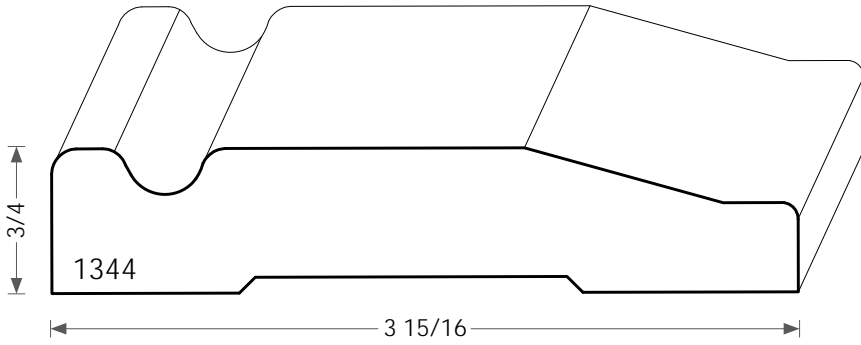
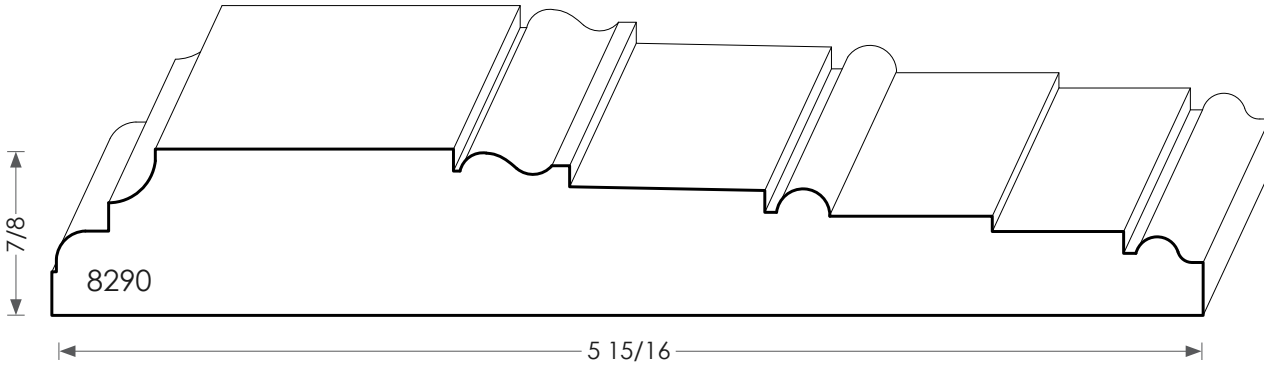
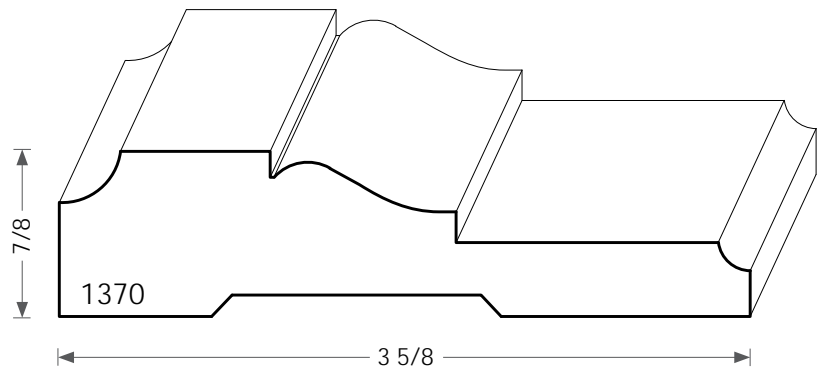
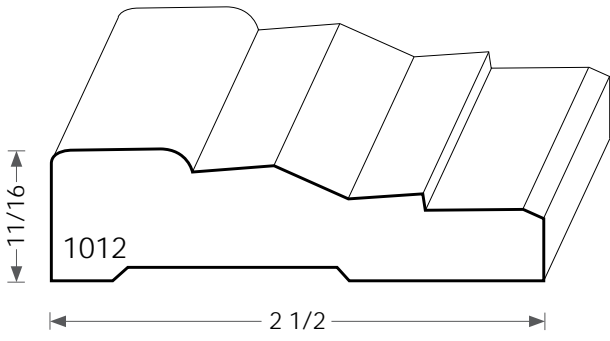
CASING  
STEPPED

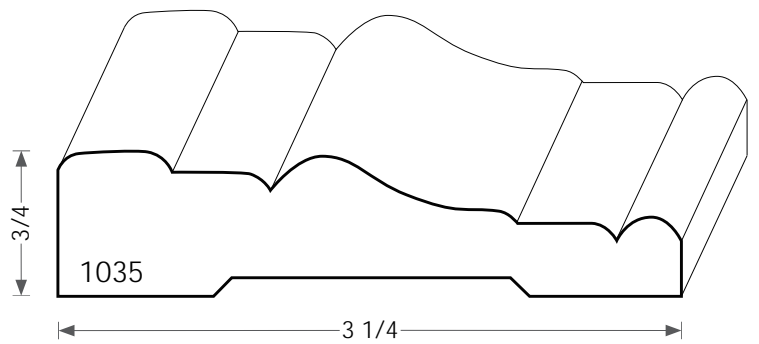
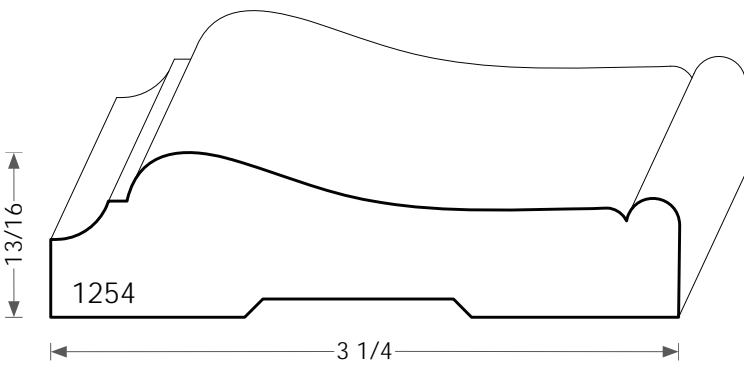
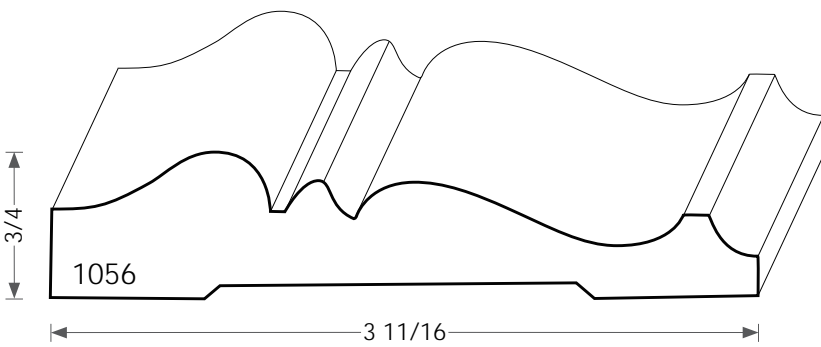
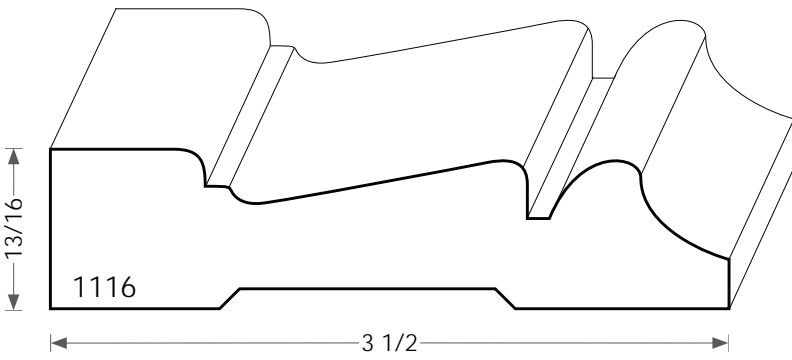
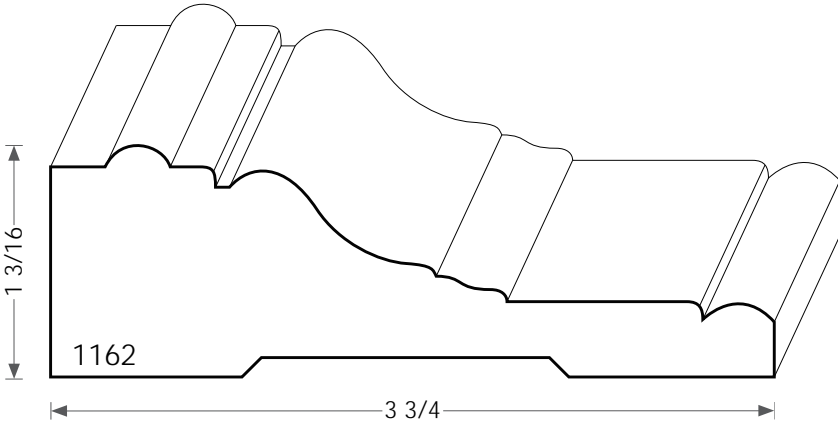
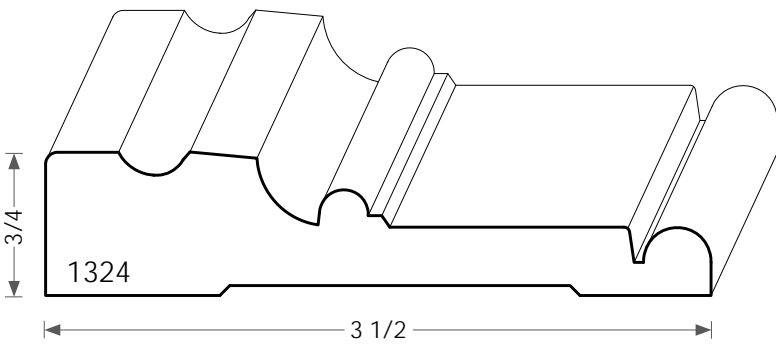


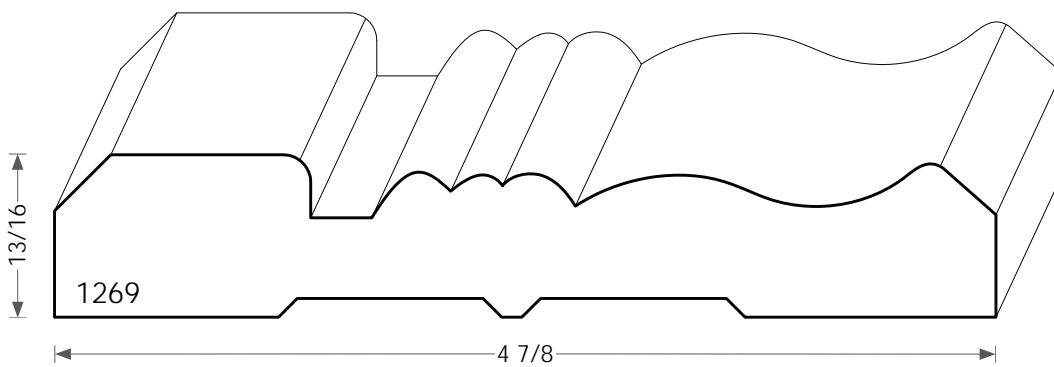
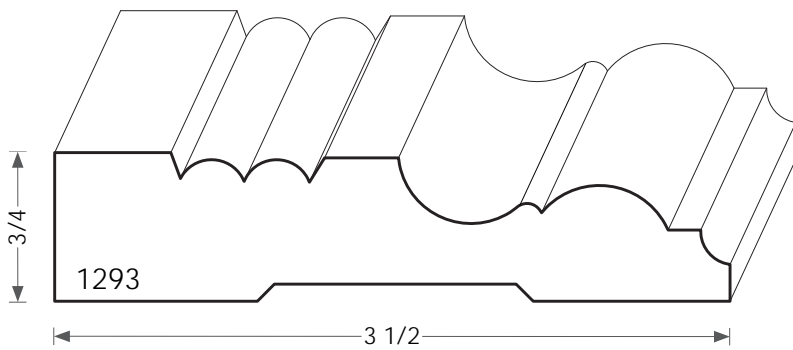
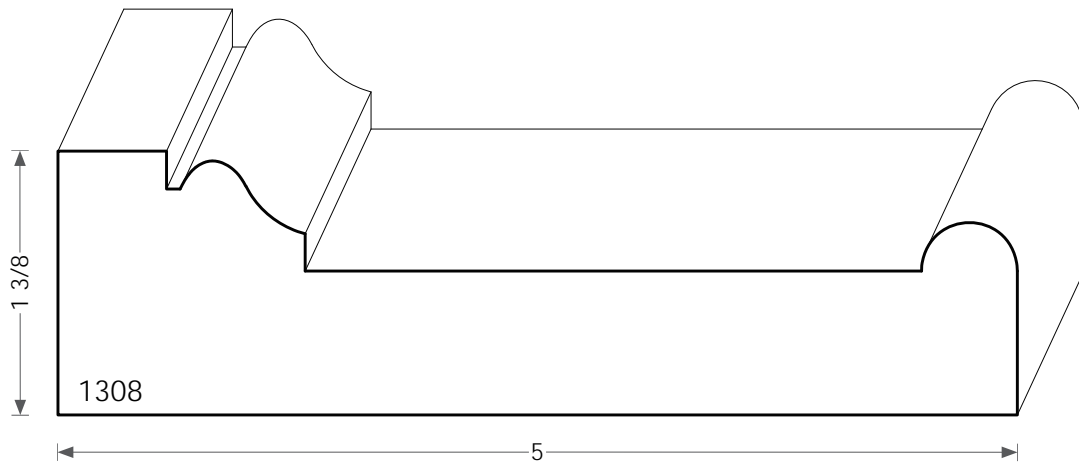
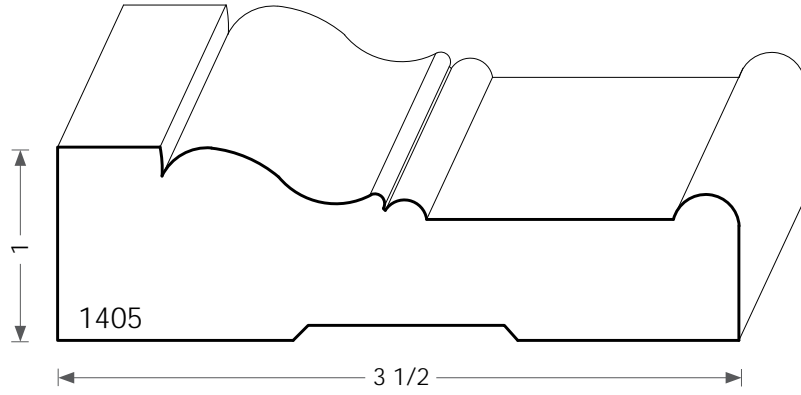
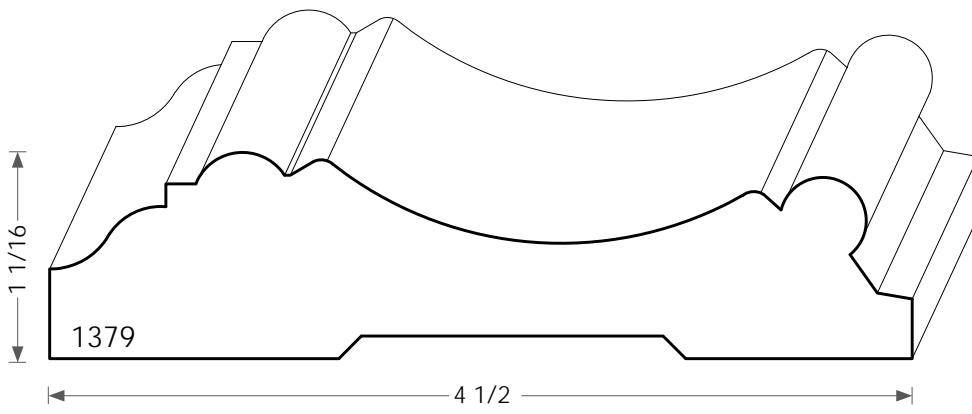




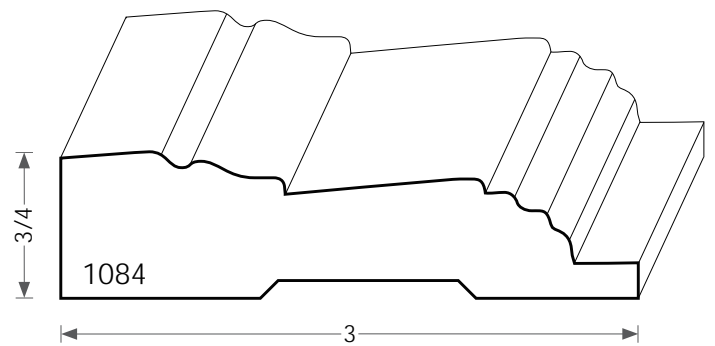
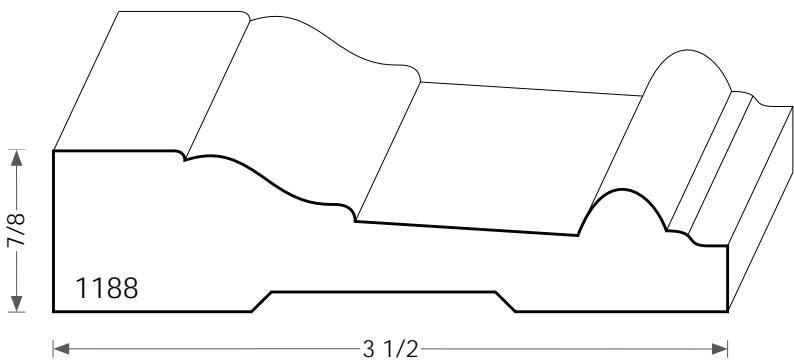
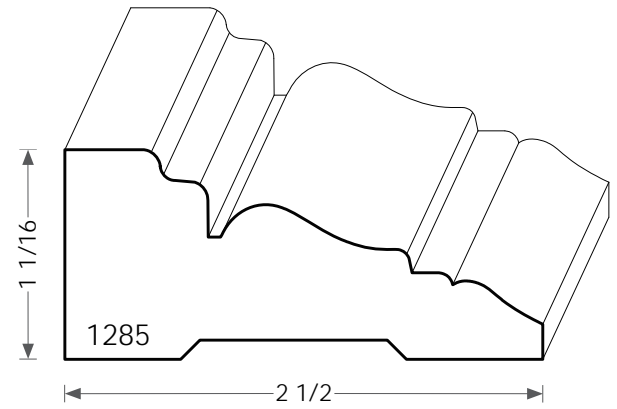
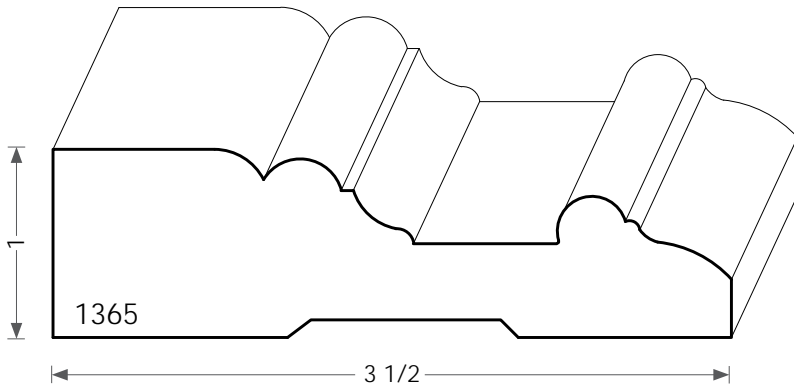
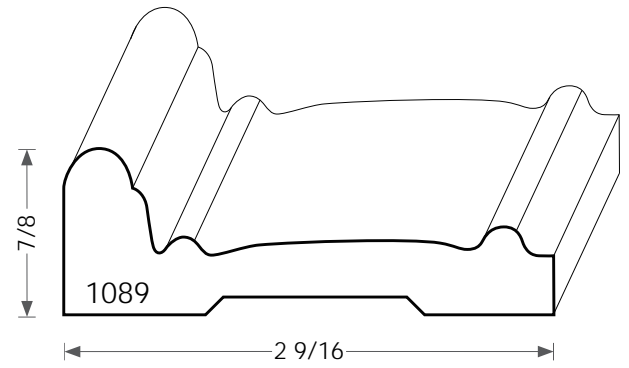
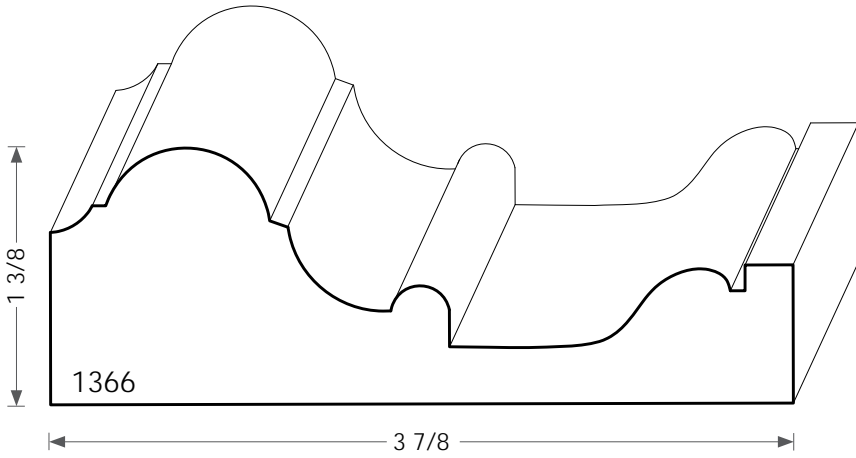
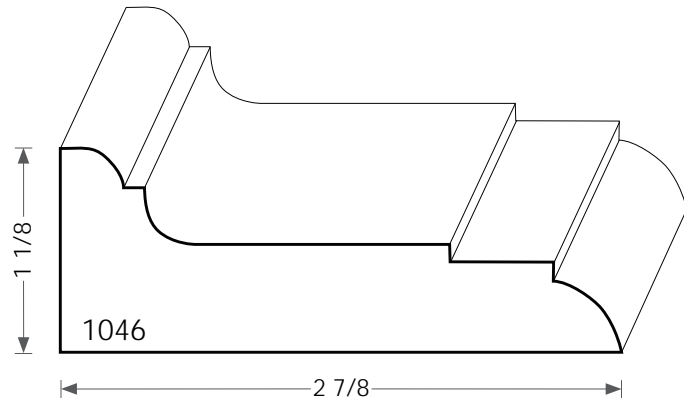
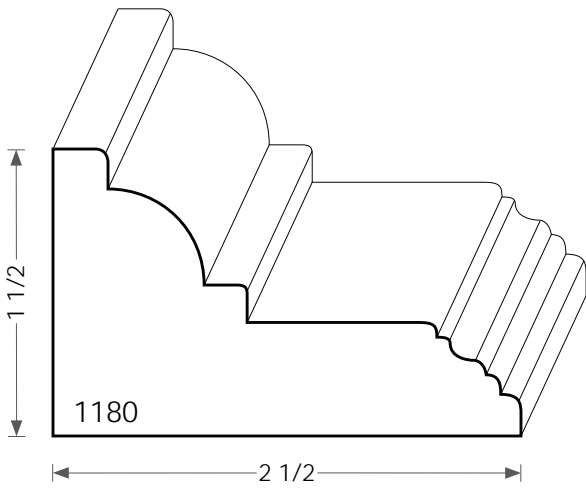


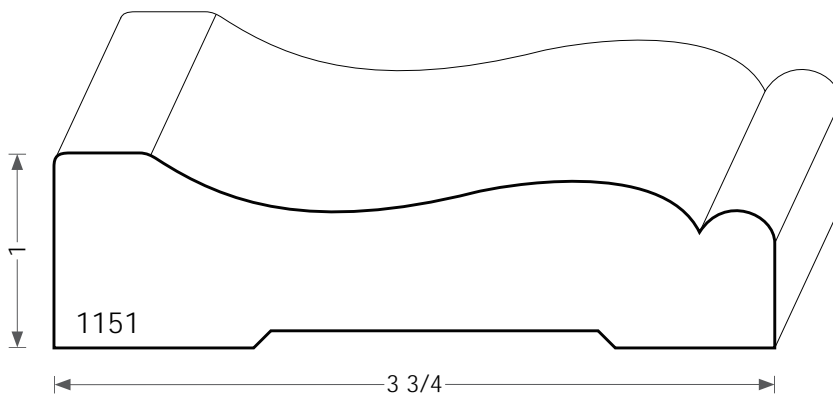
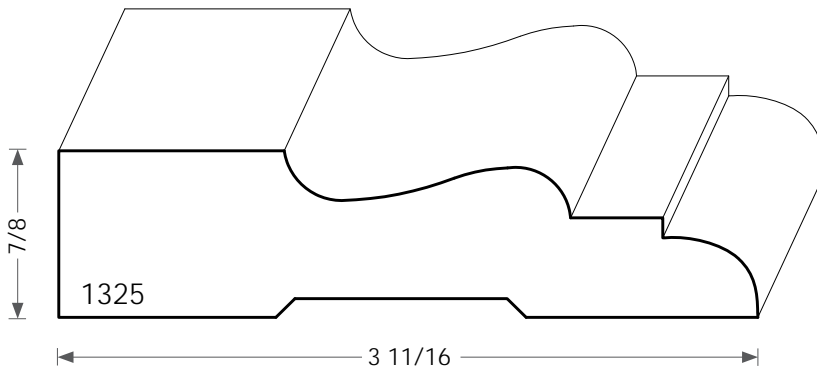
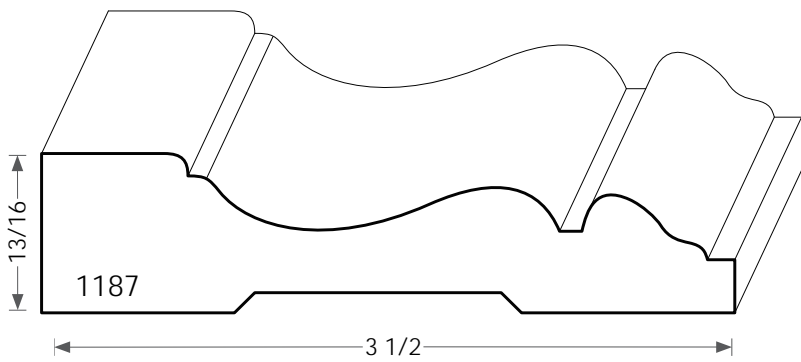
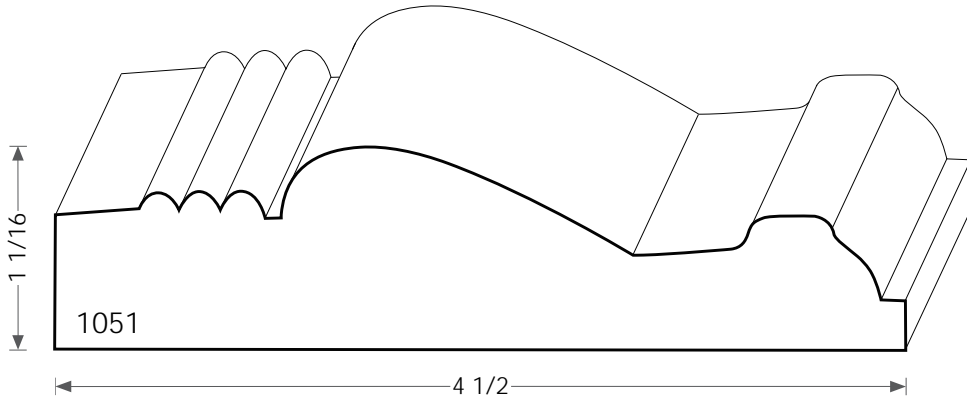
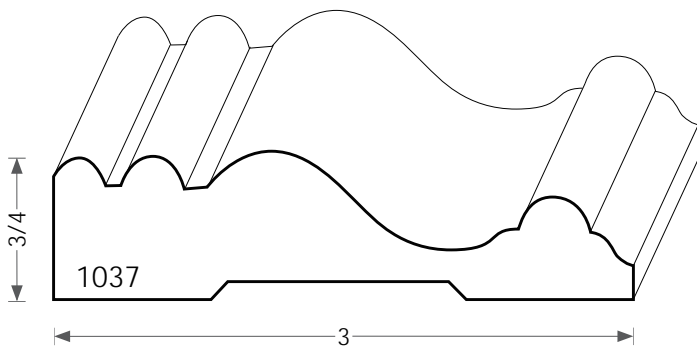




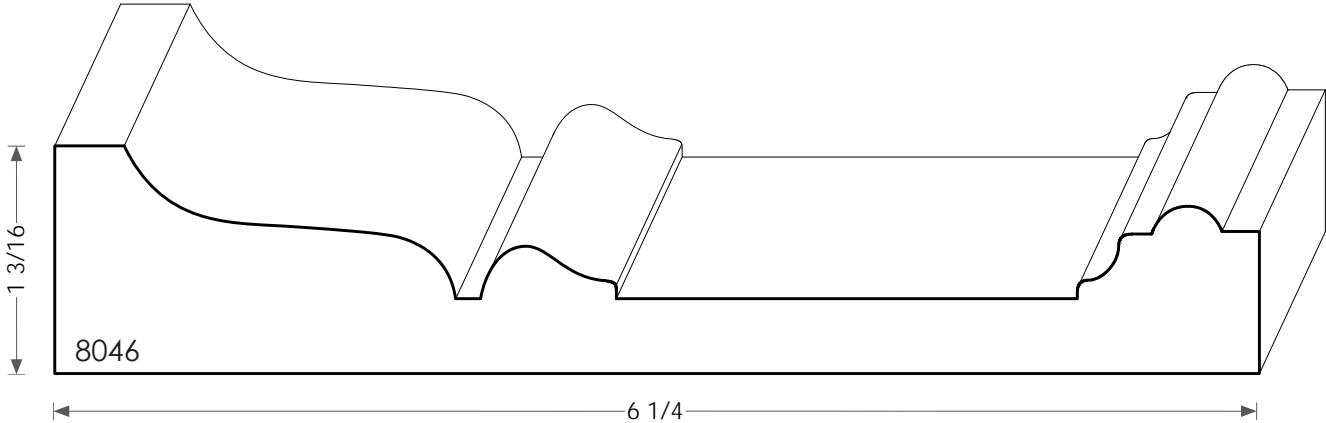
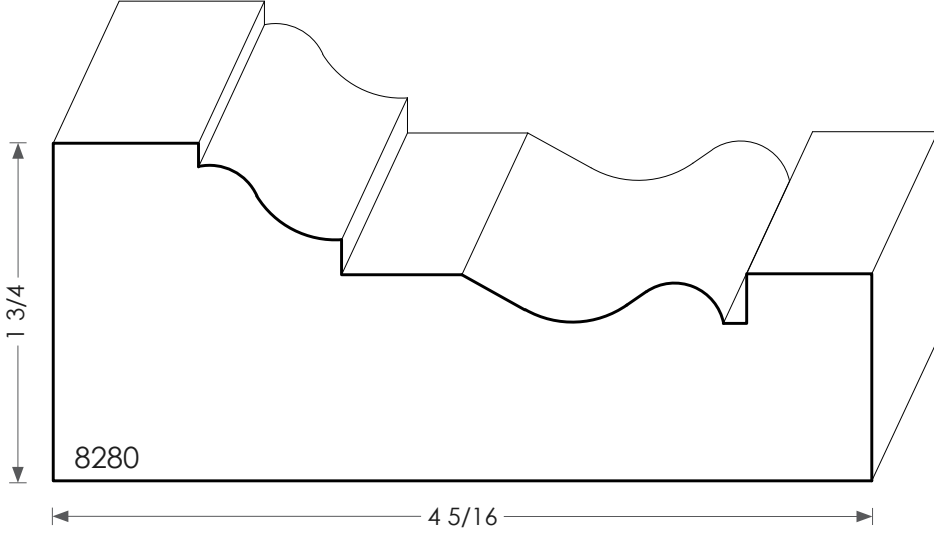
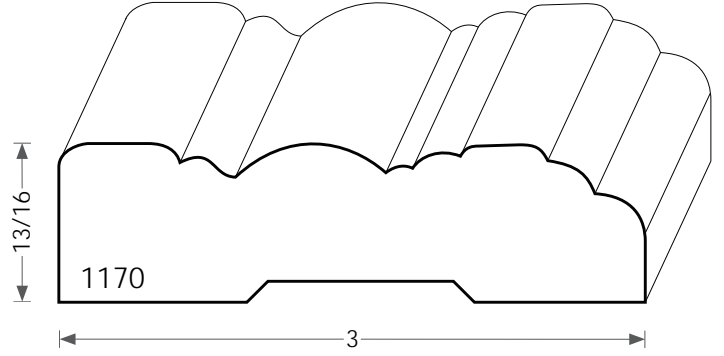
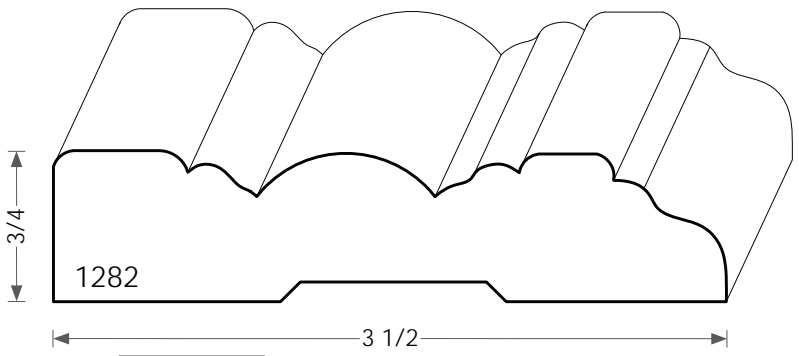
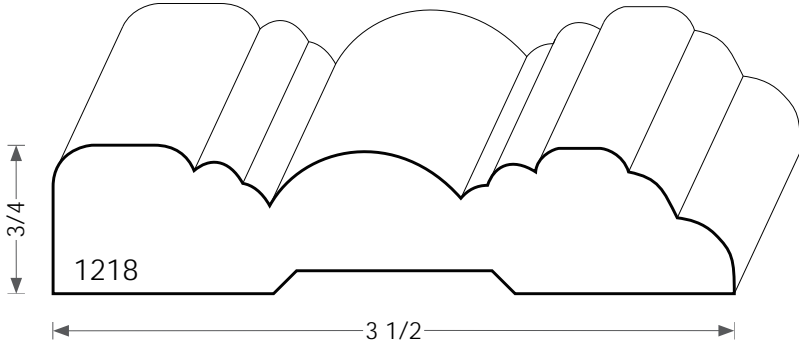
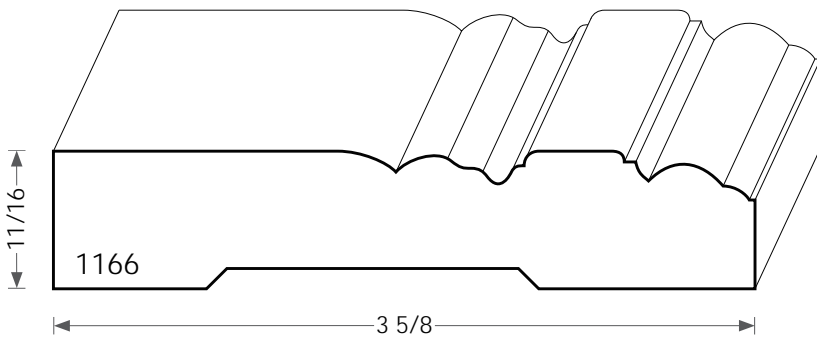


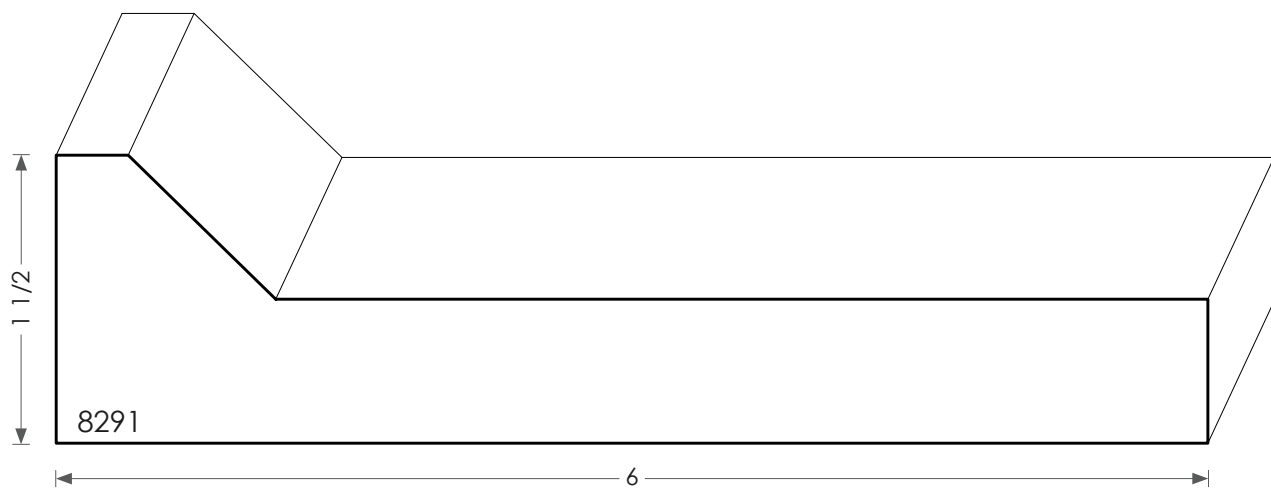
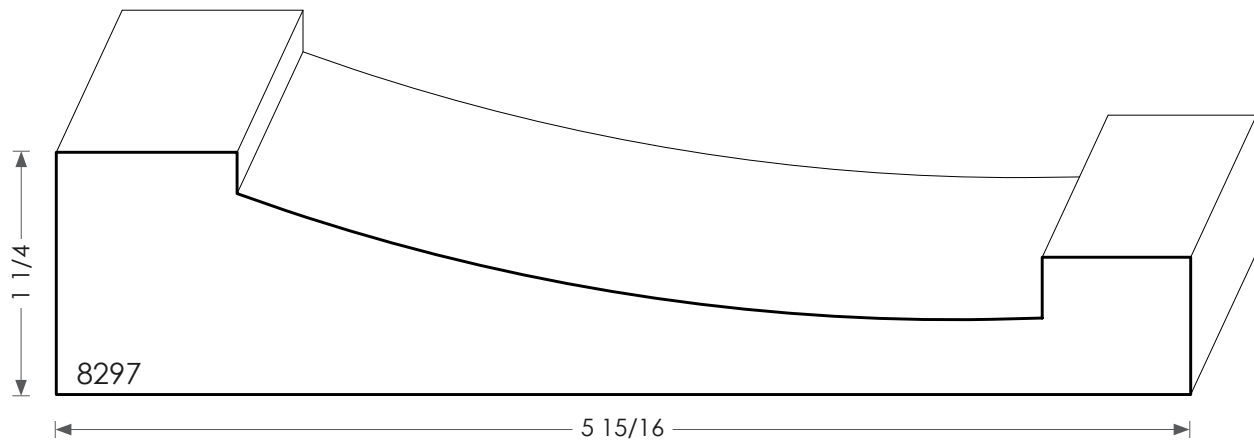
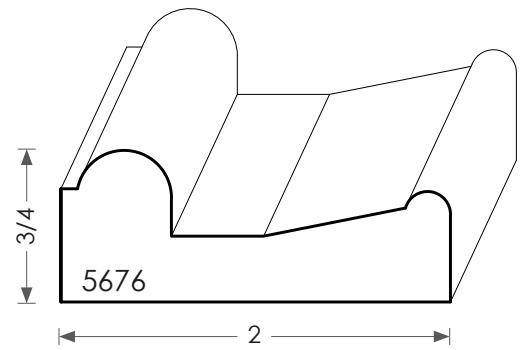
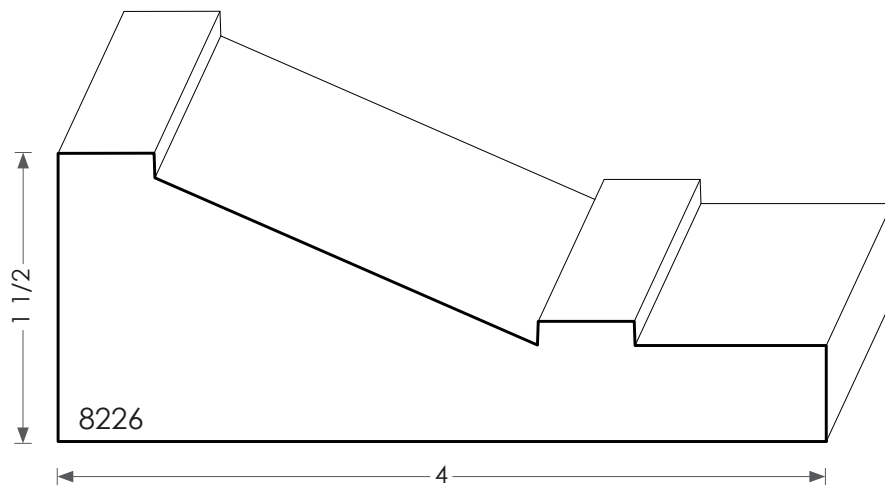
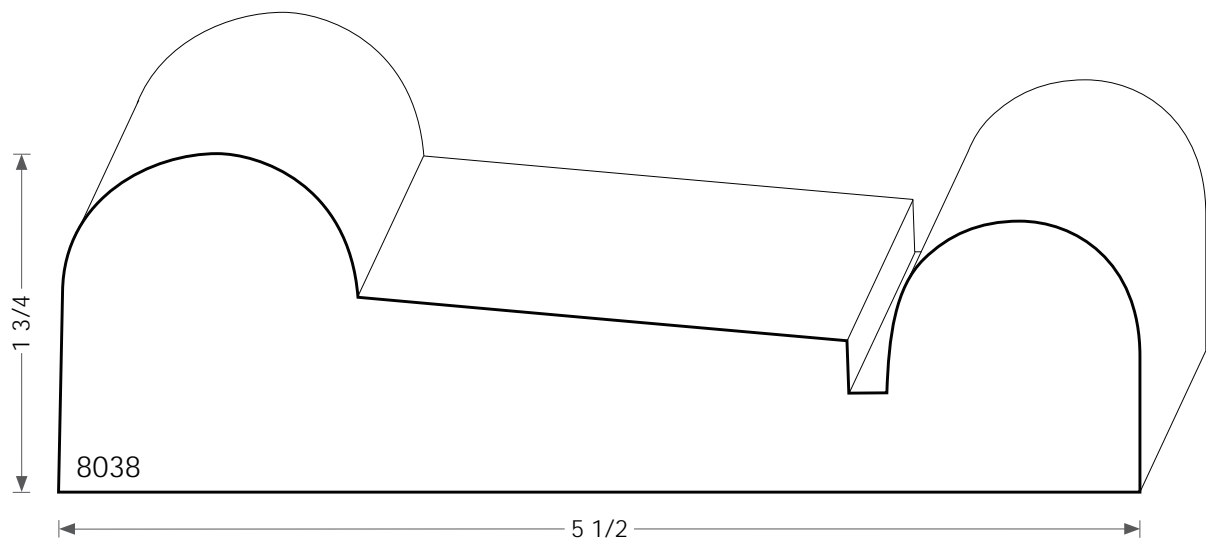
CASING



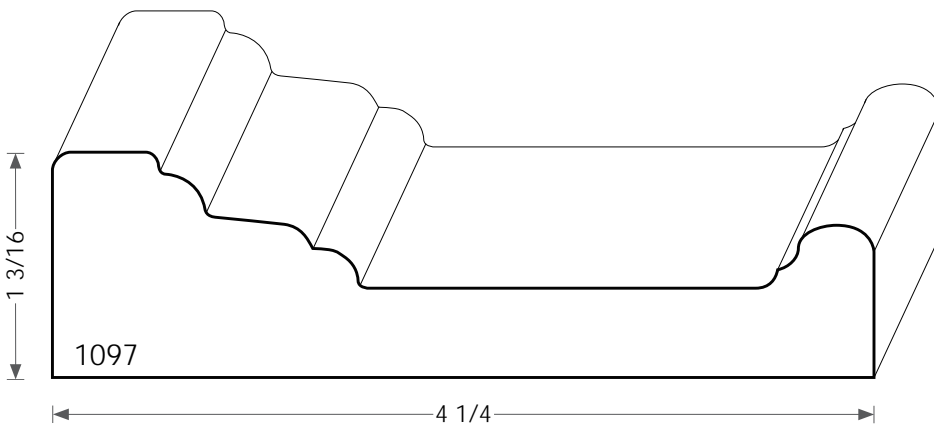
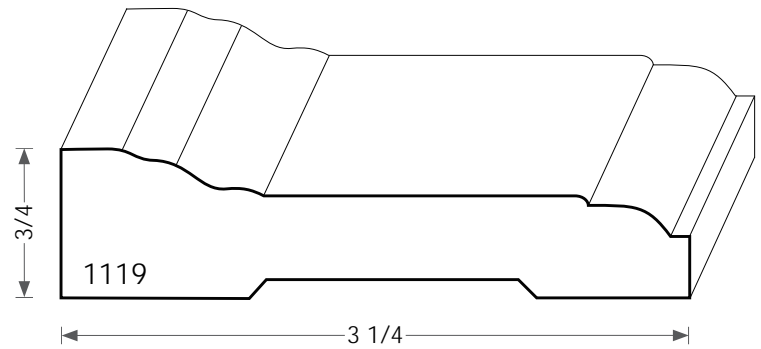
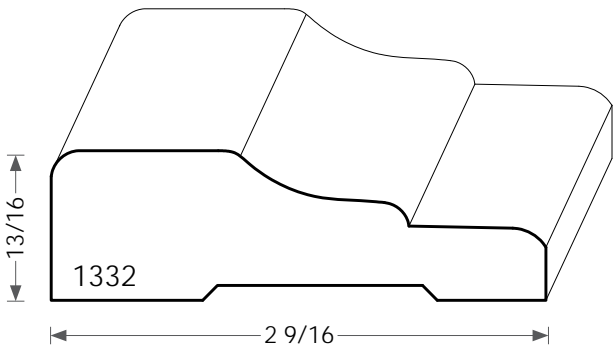
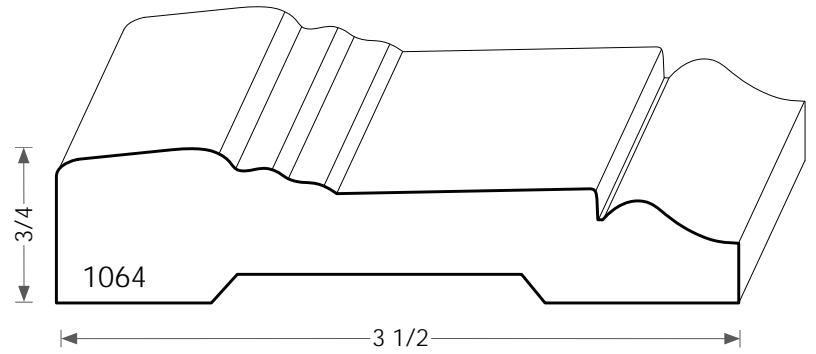
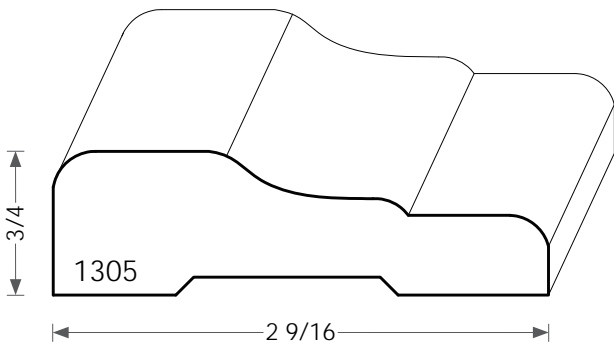
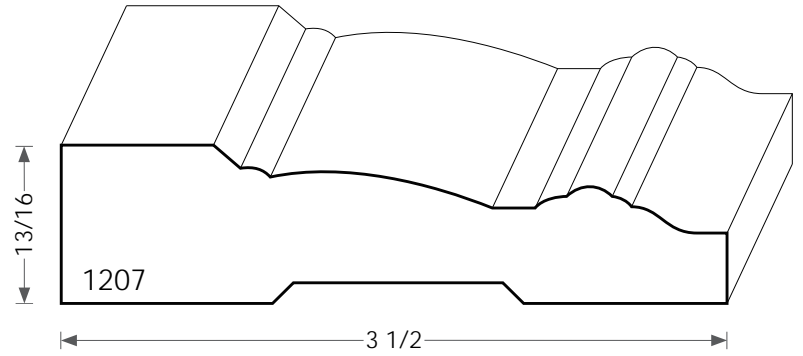
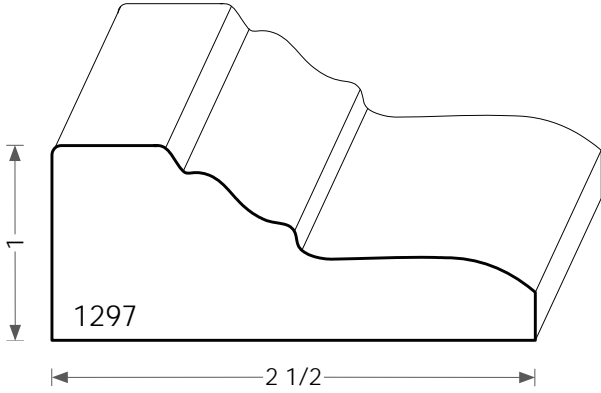
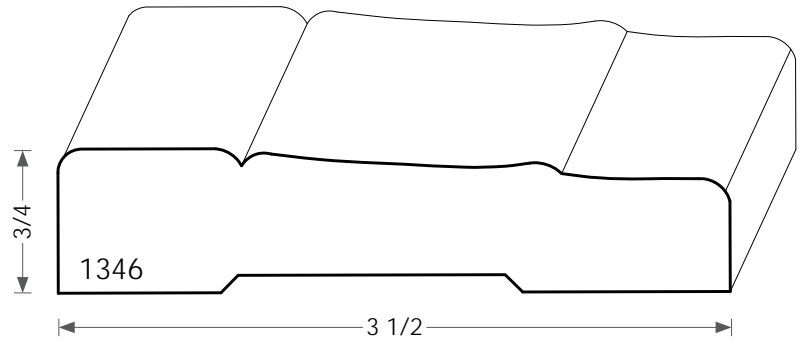
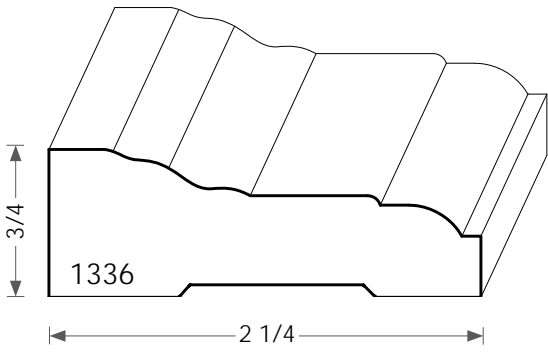


CASING

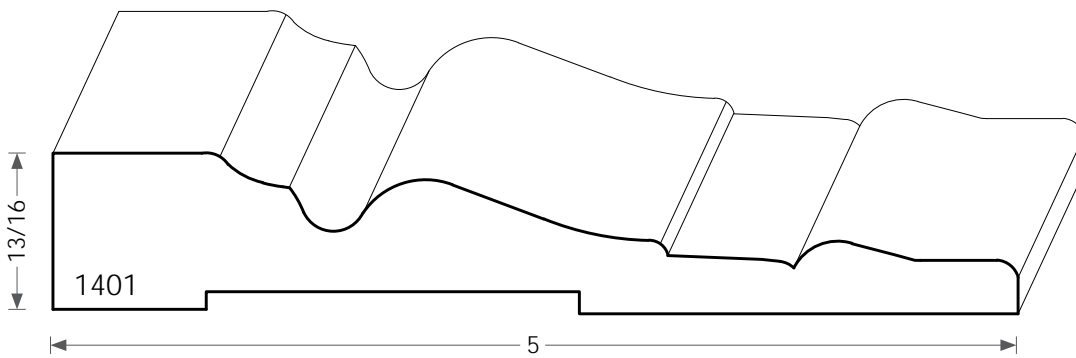
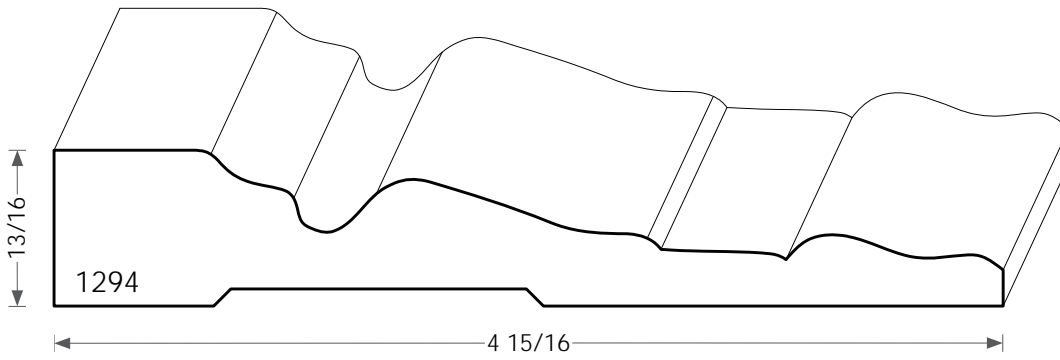
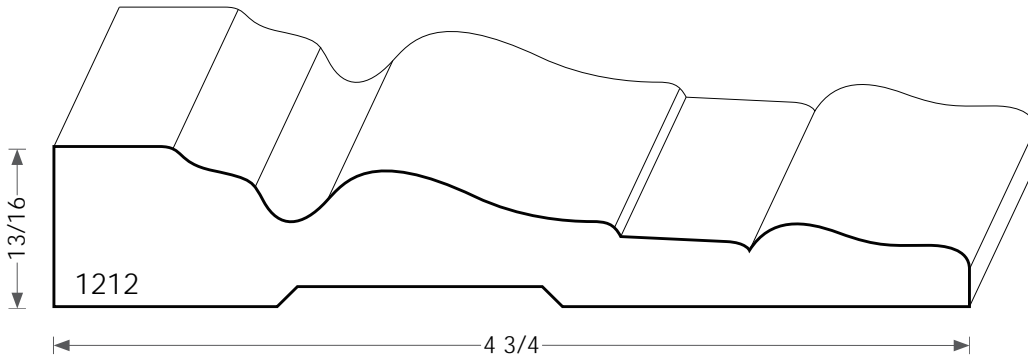
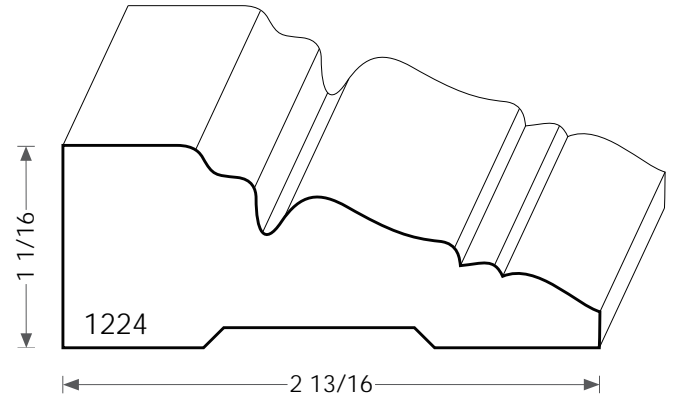
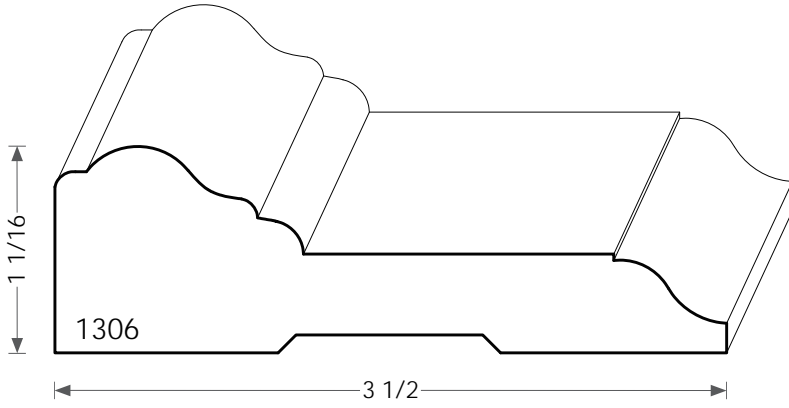
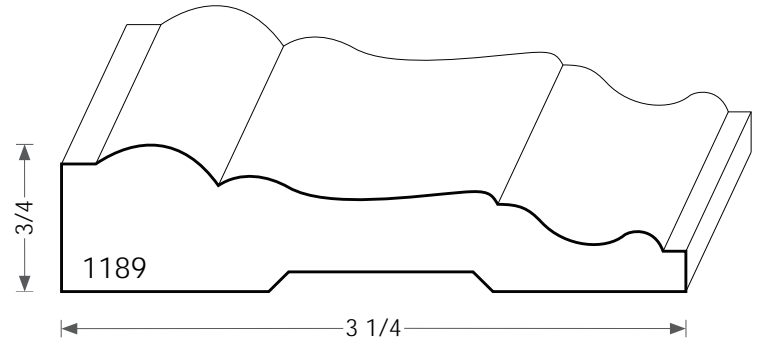
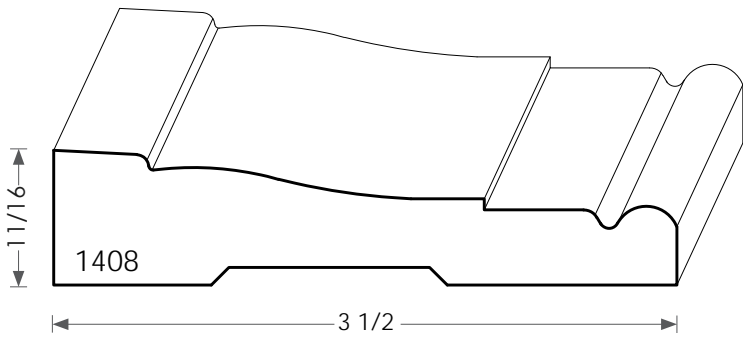




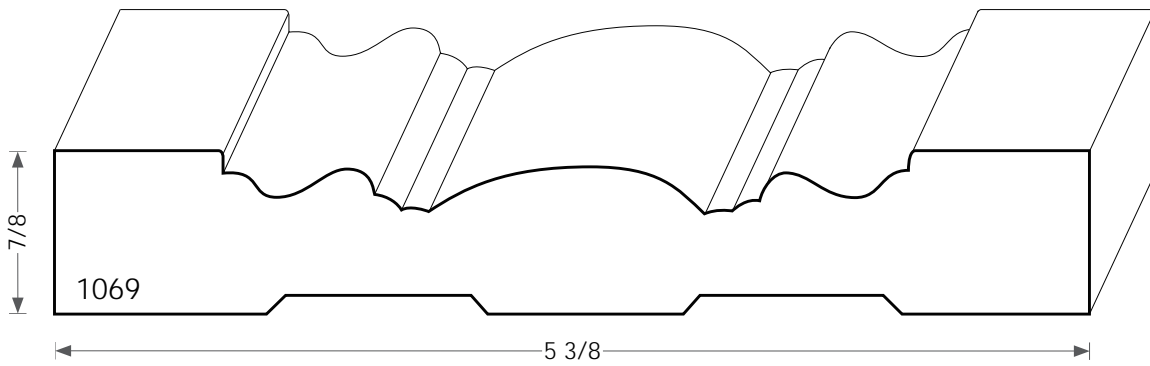
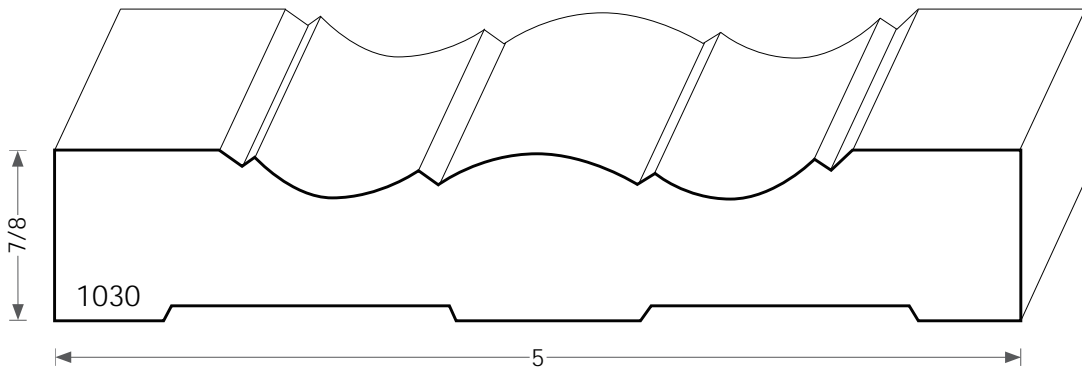
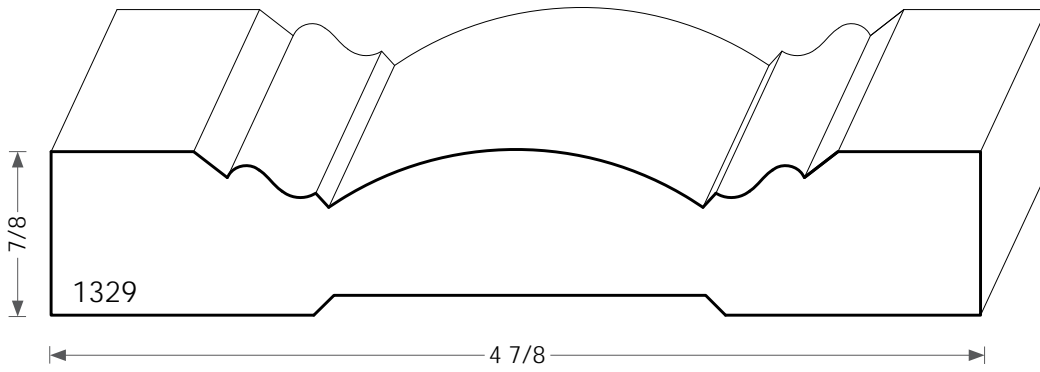
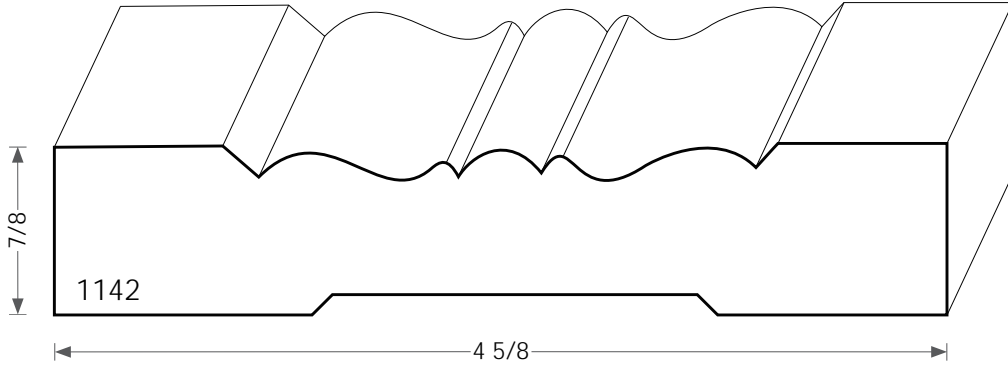
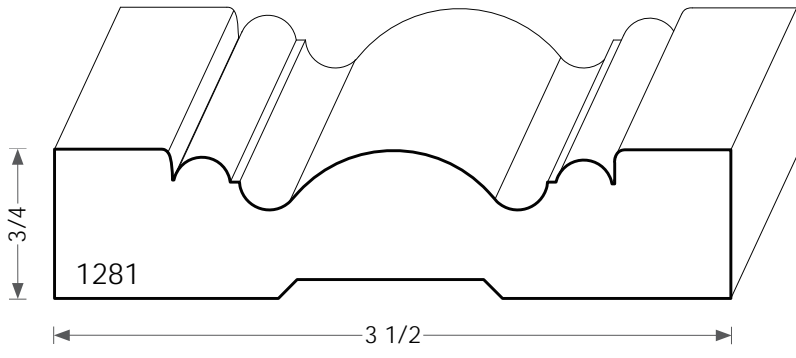
CASING

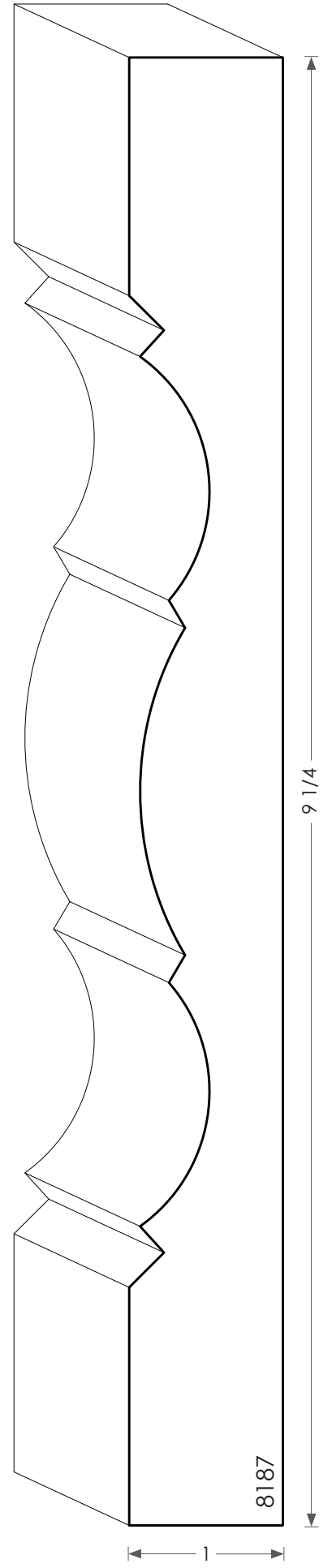
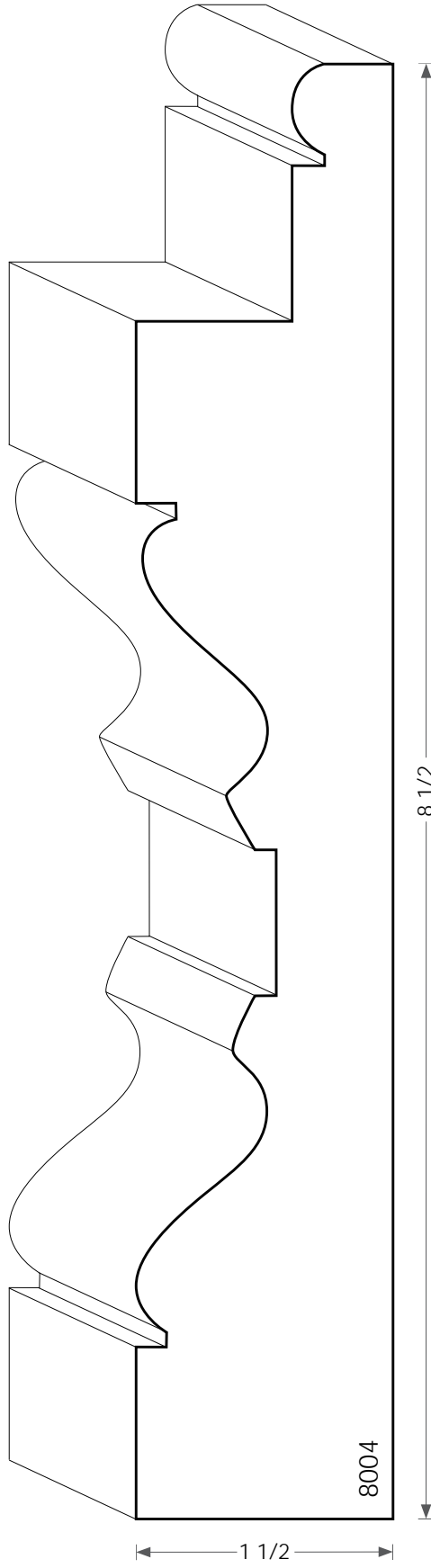
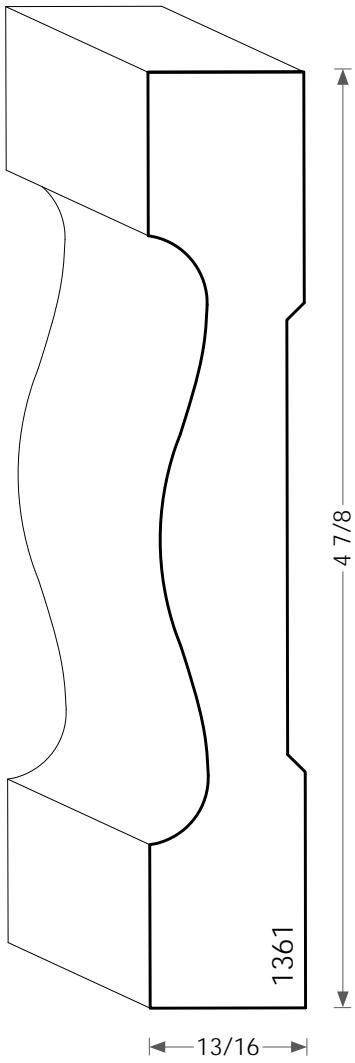




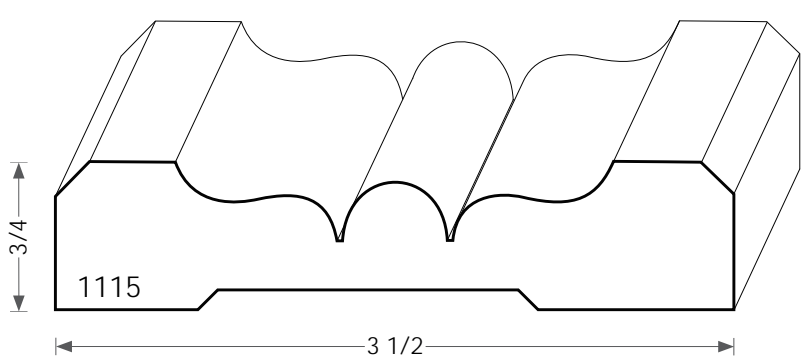
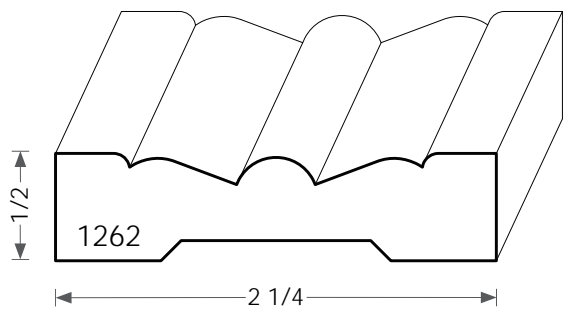
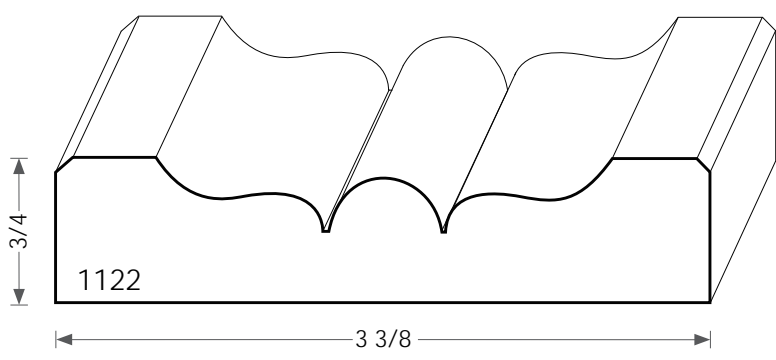
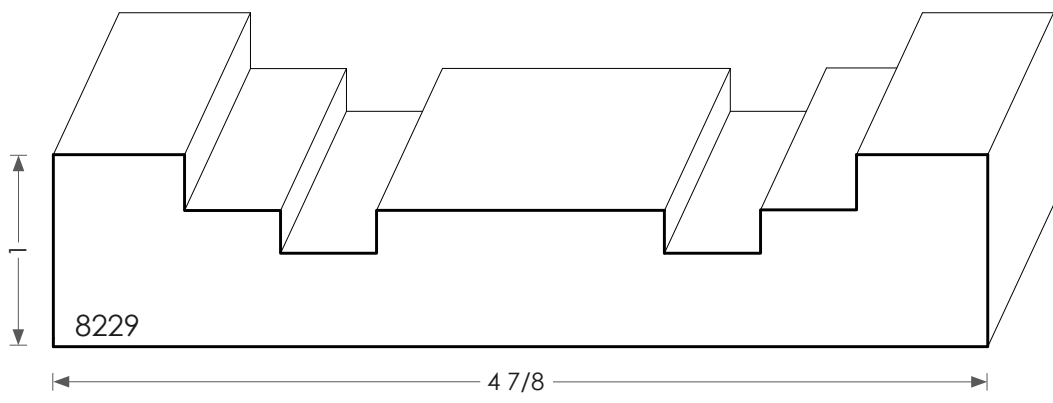
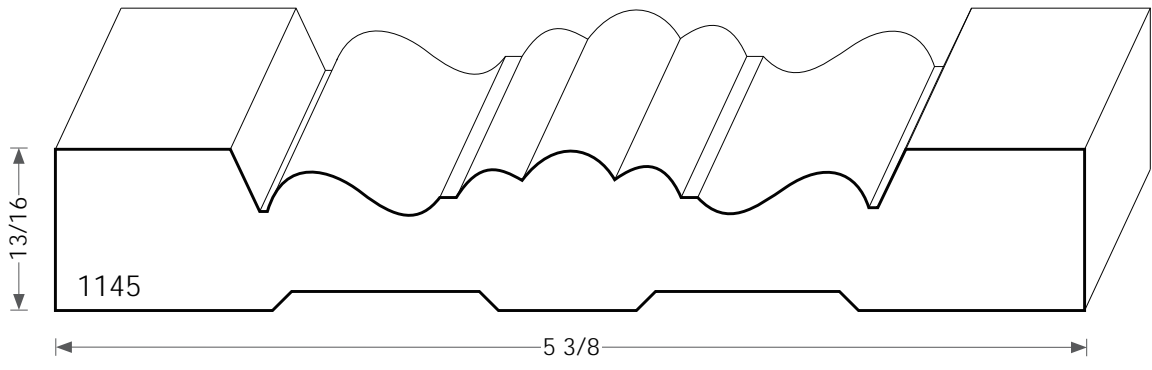
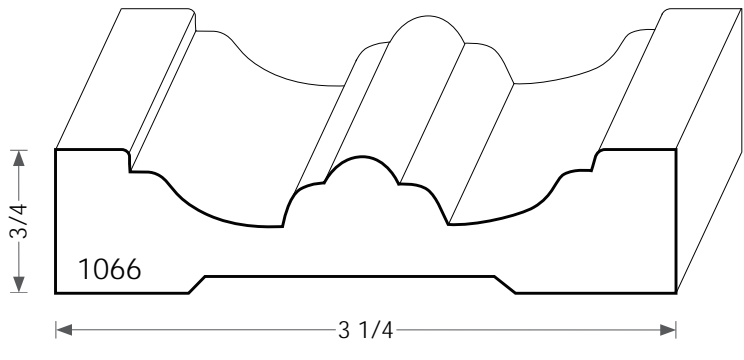


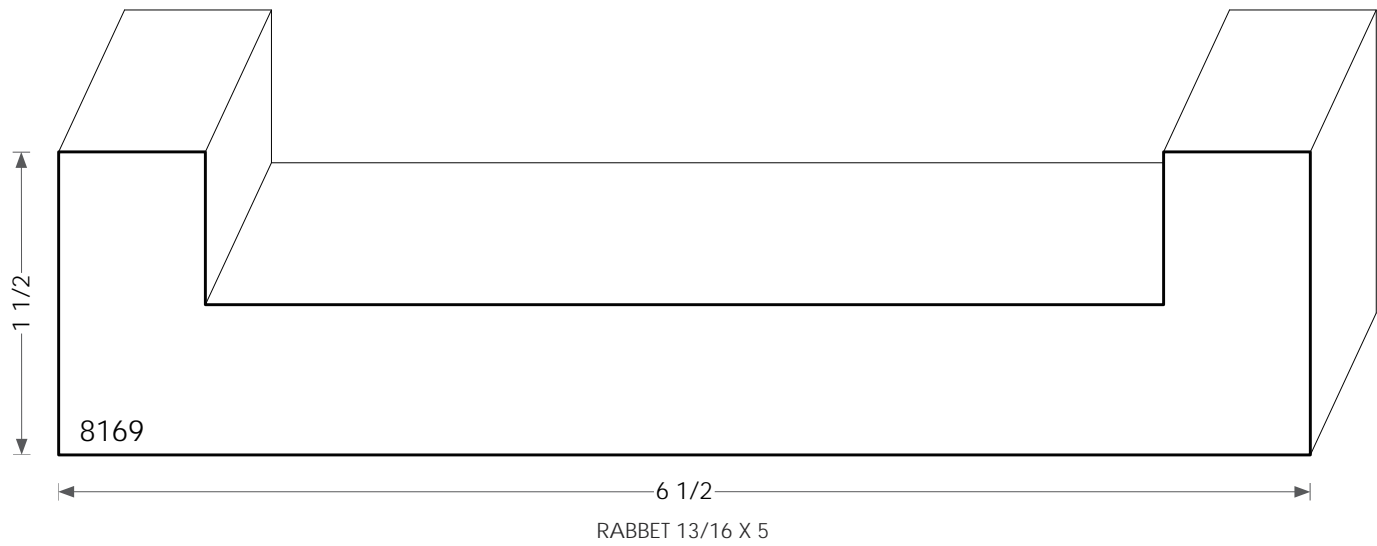
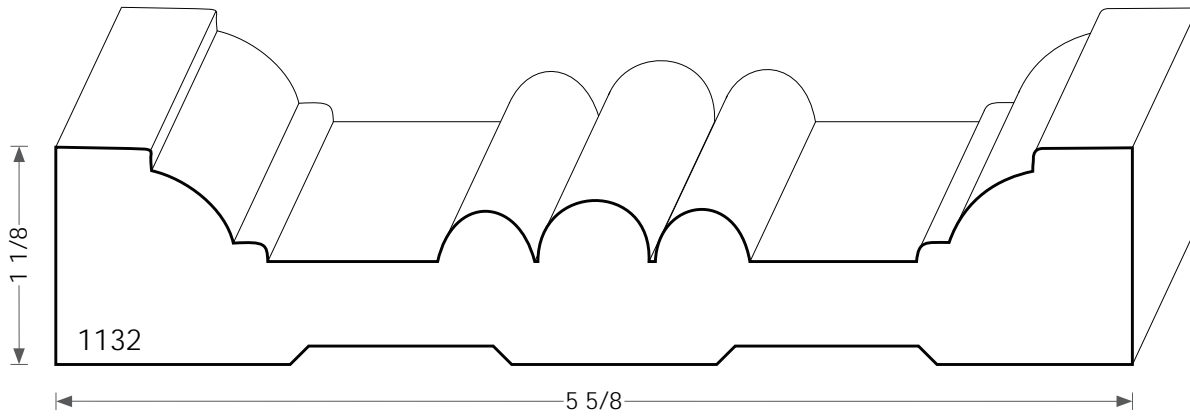
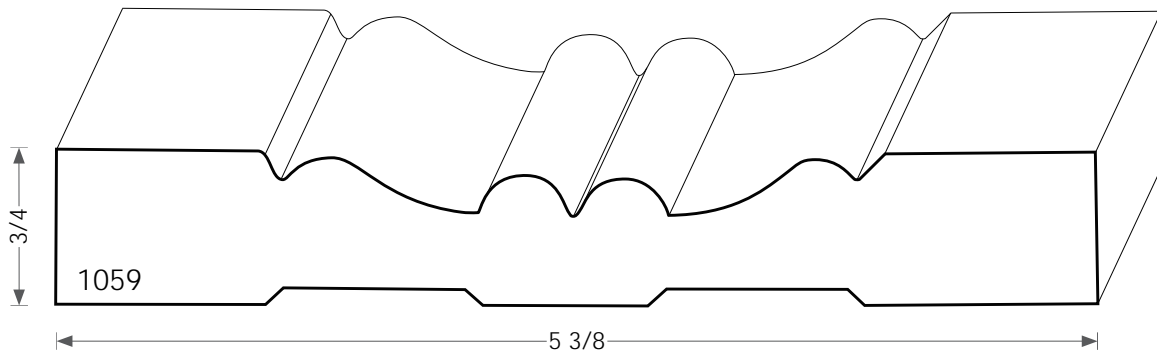
CASING  
SYMMETRIC



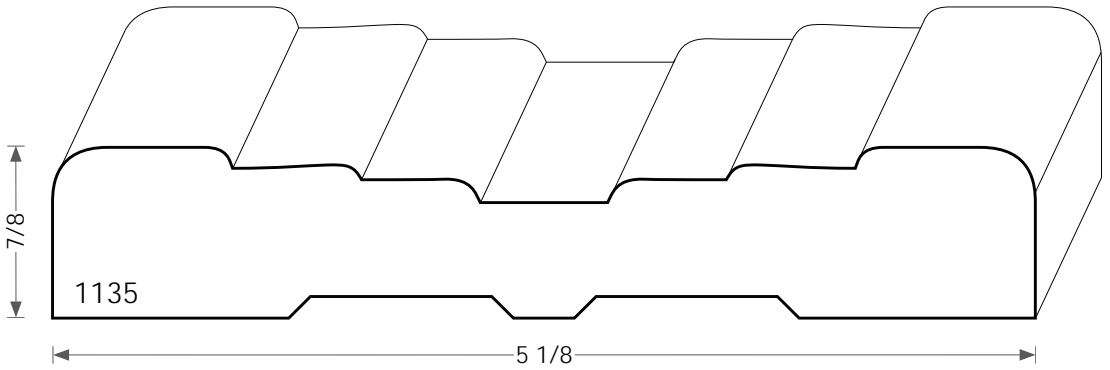
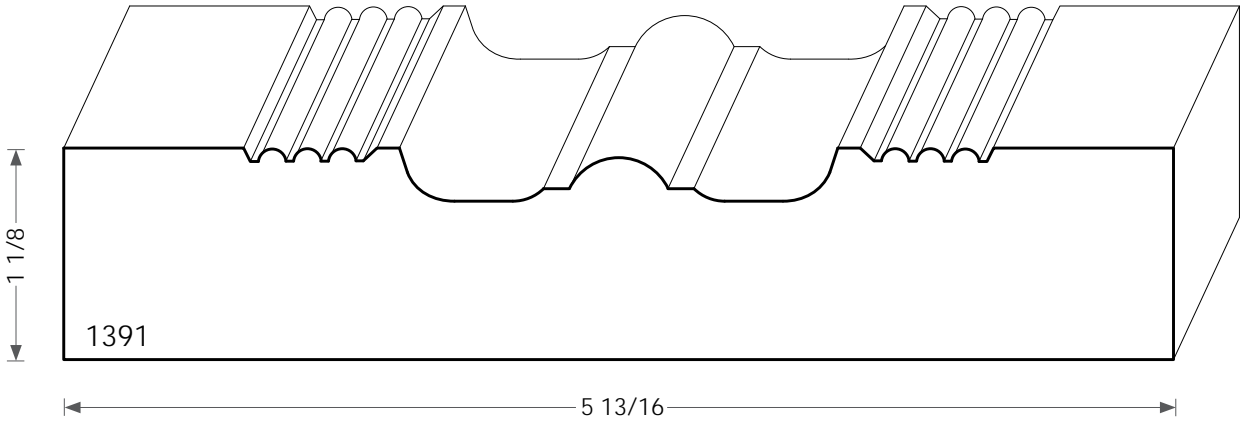
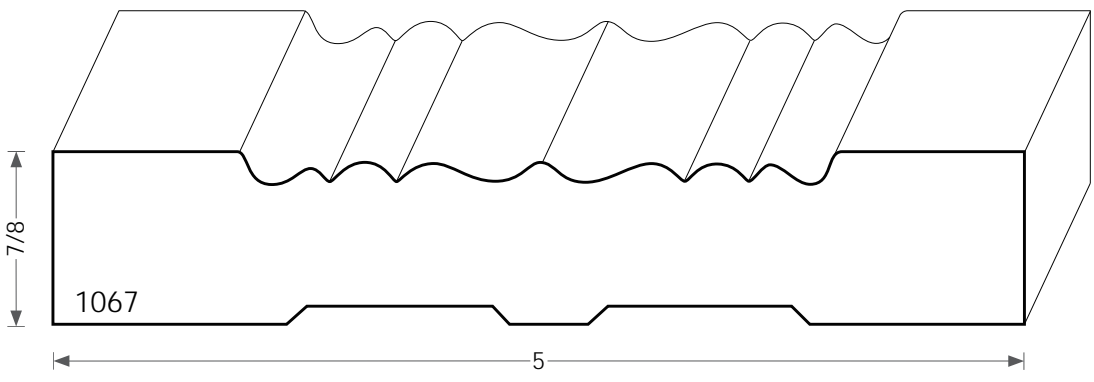
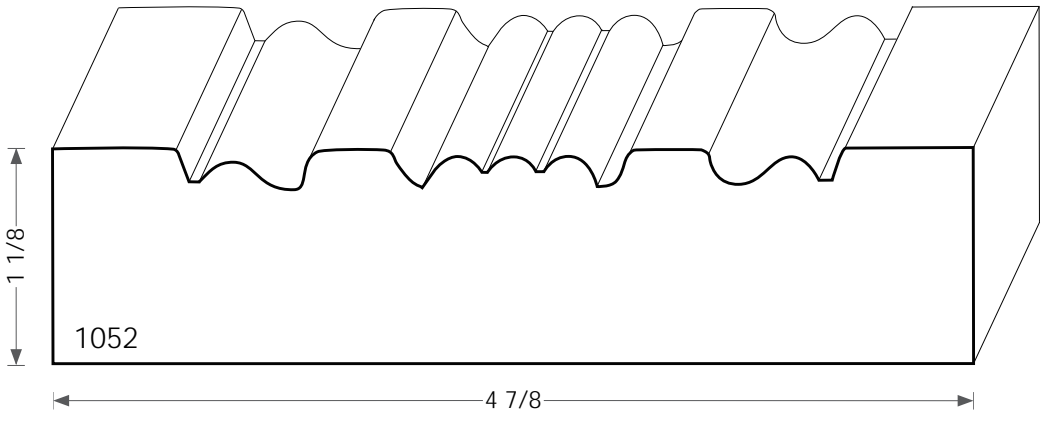
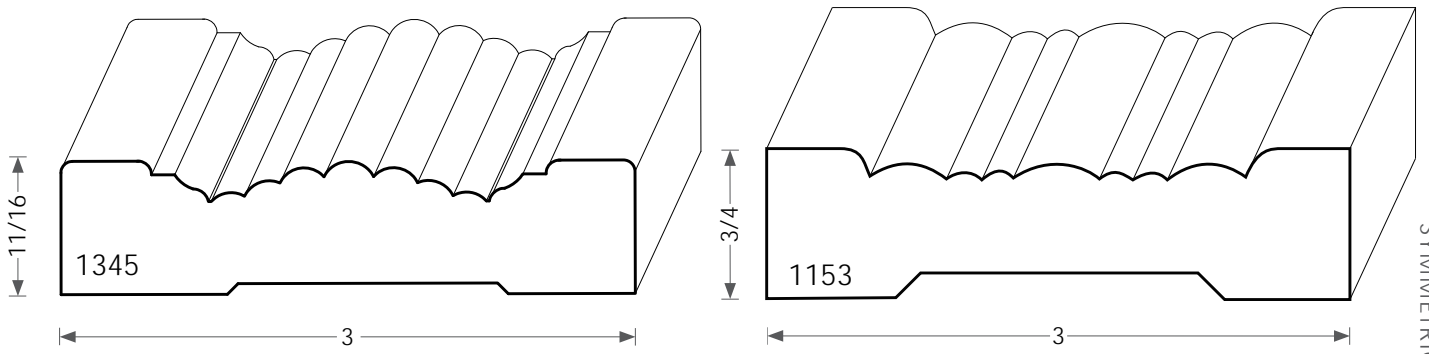


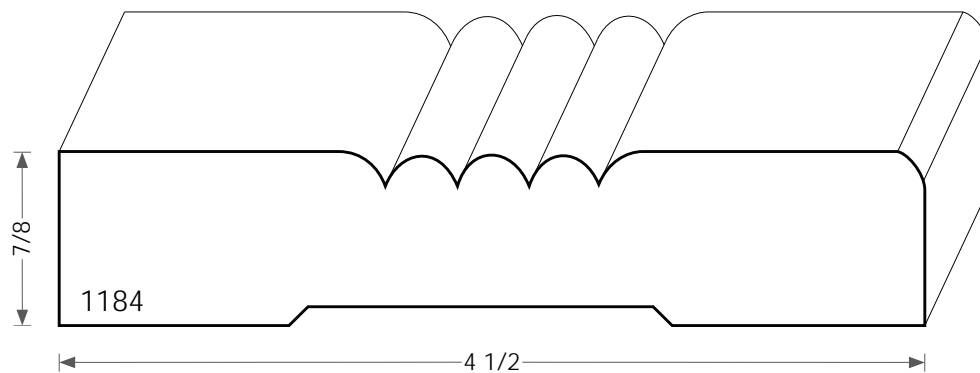
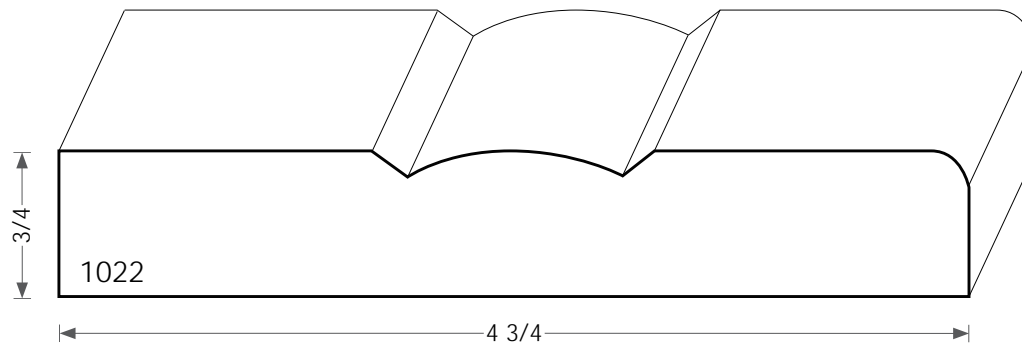
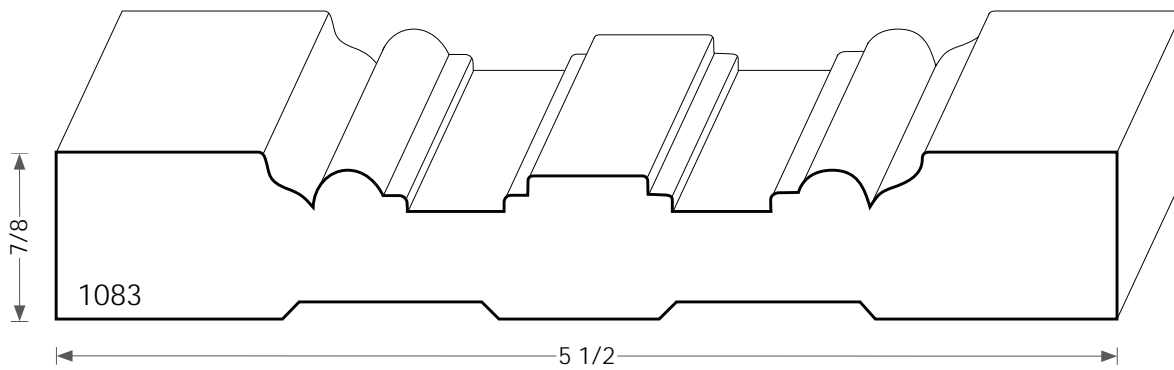
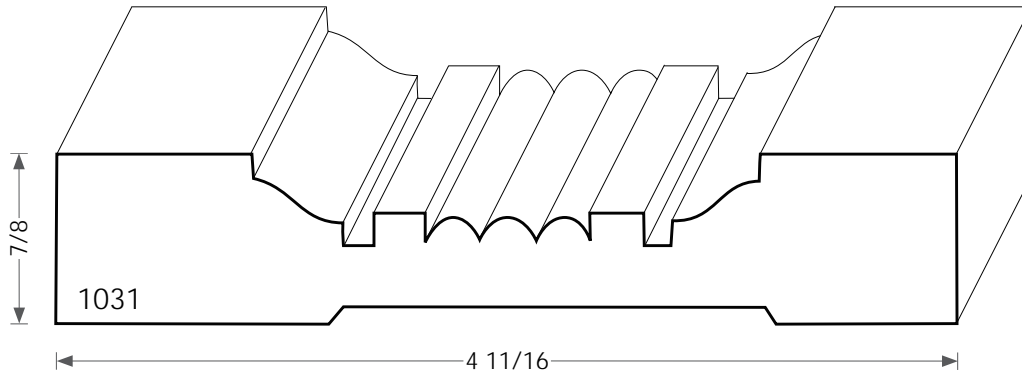
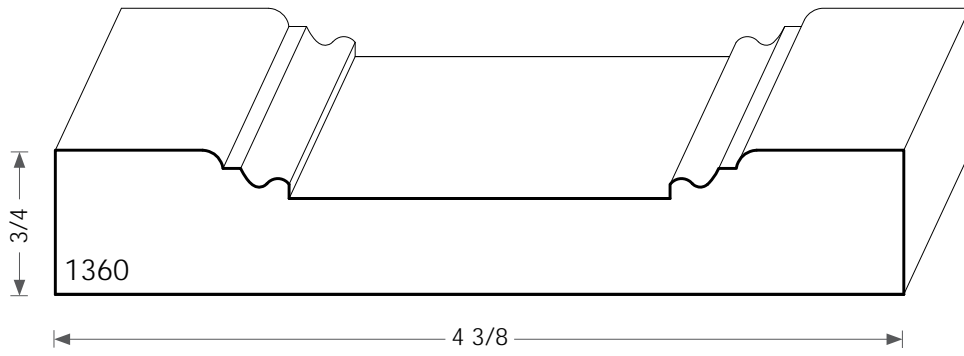
CASING  
SYMMETRIC



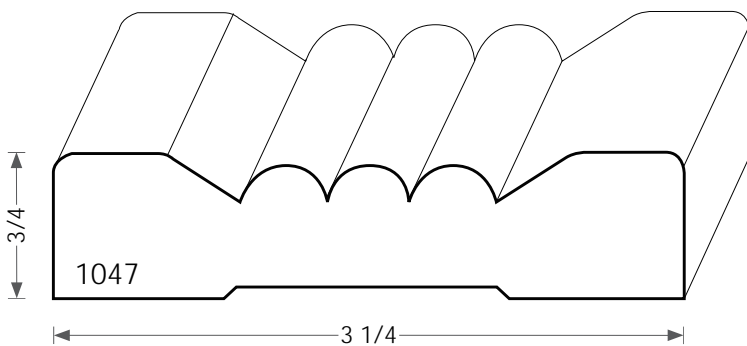
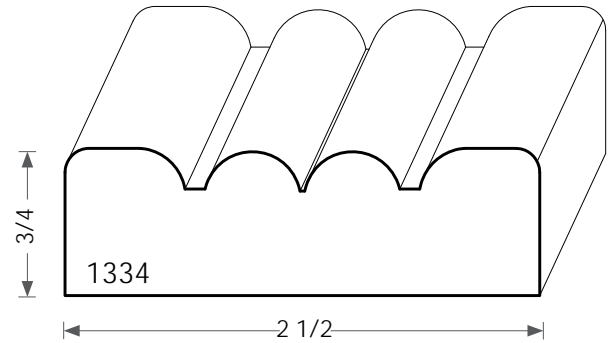
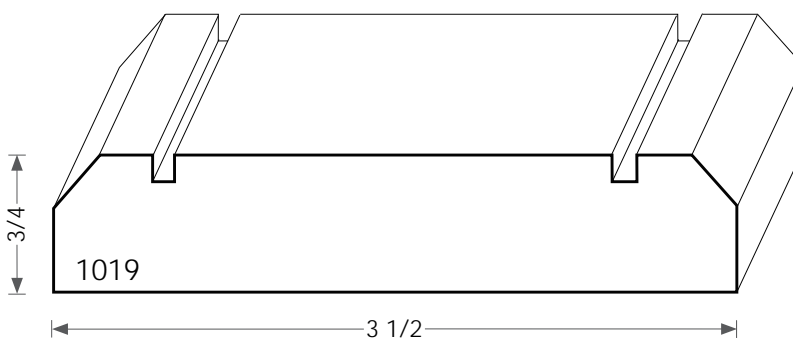
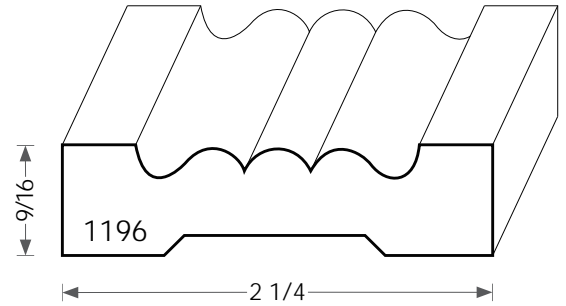
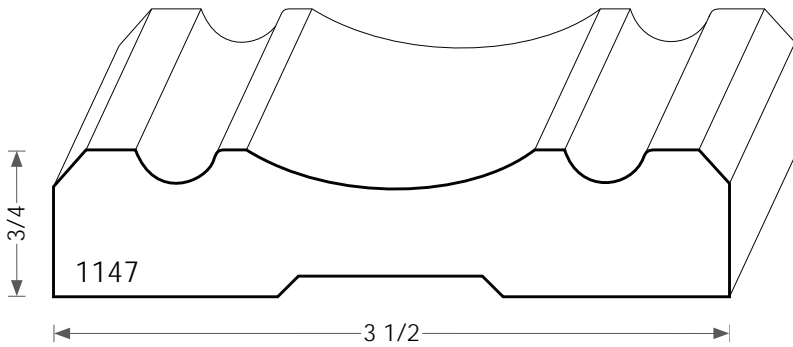
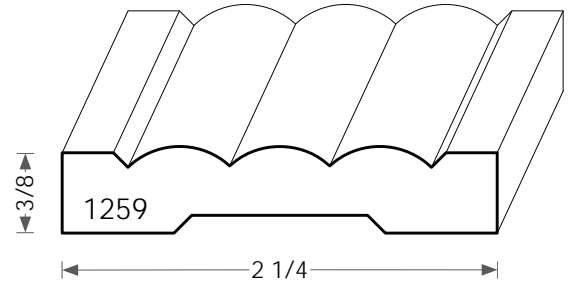
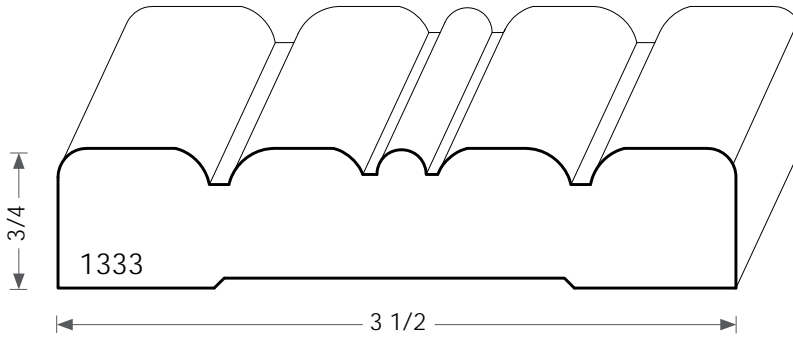
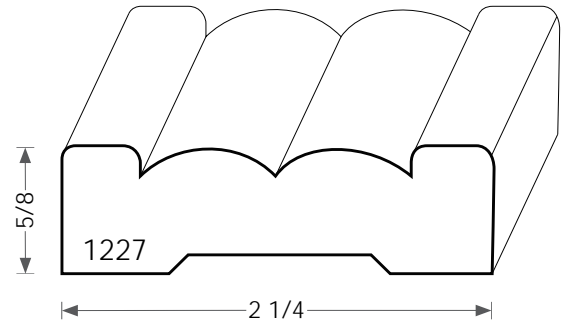
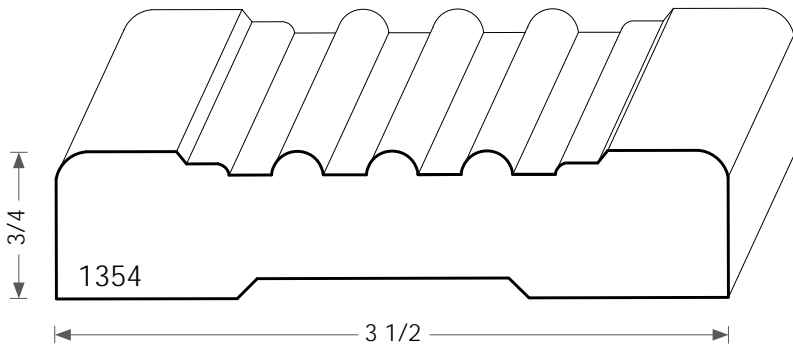


CASING  
SYMMETRIC

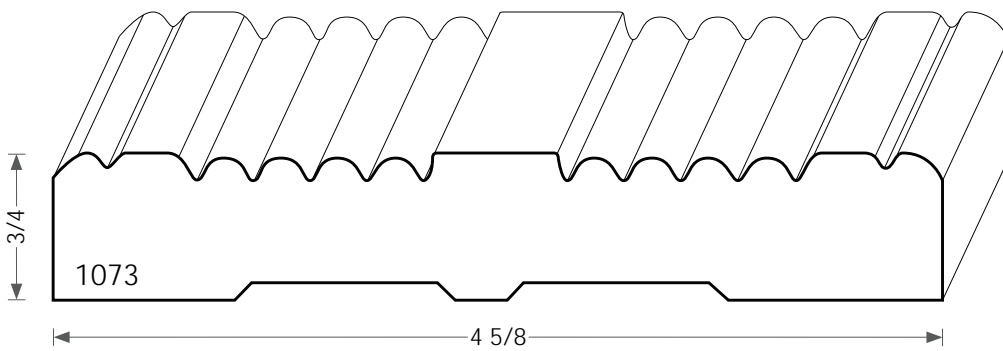
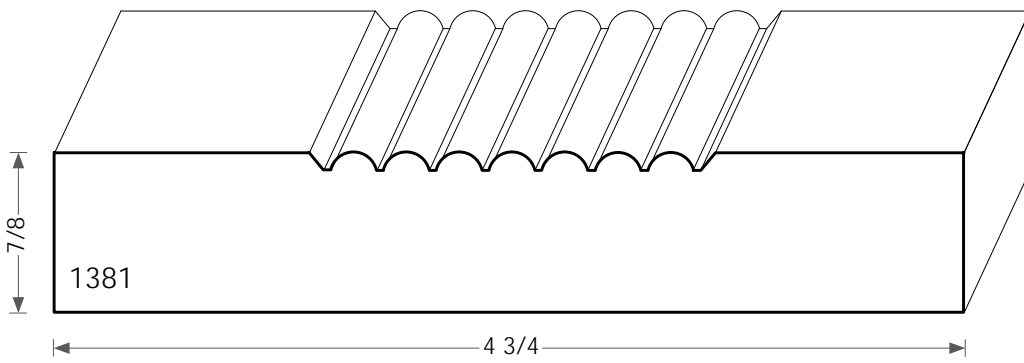
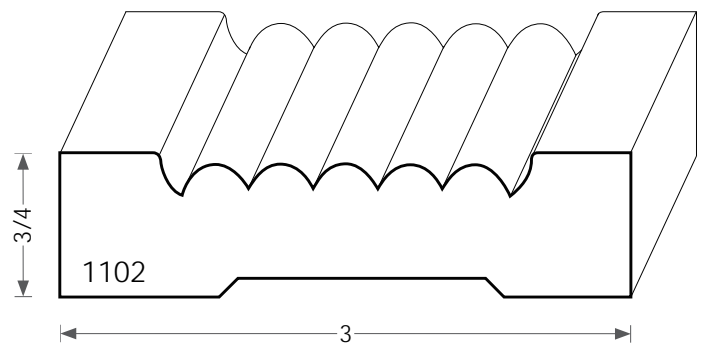
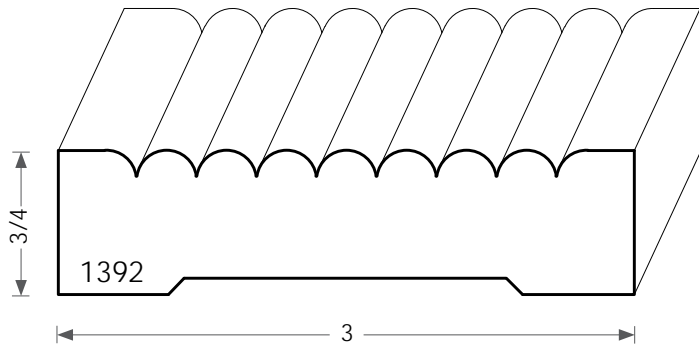
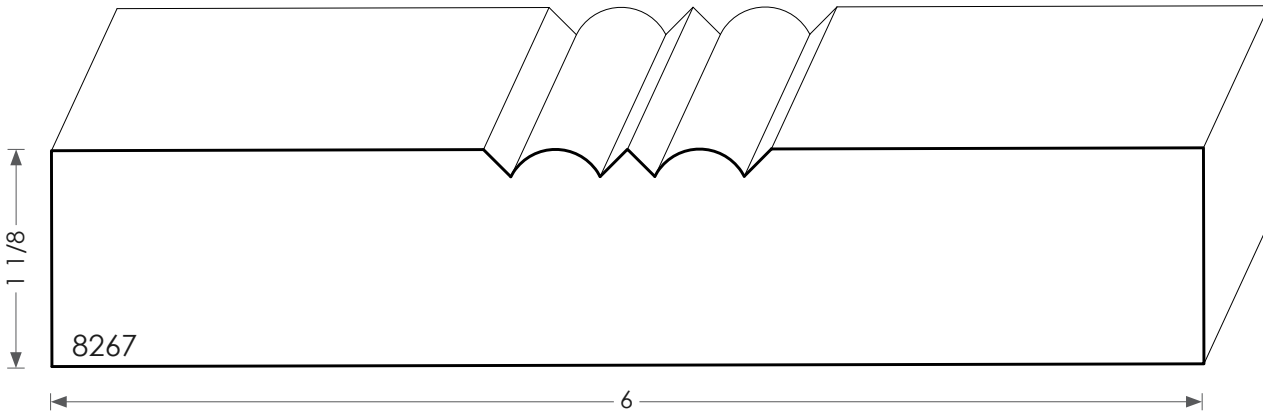
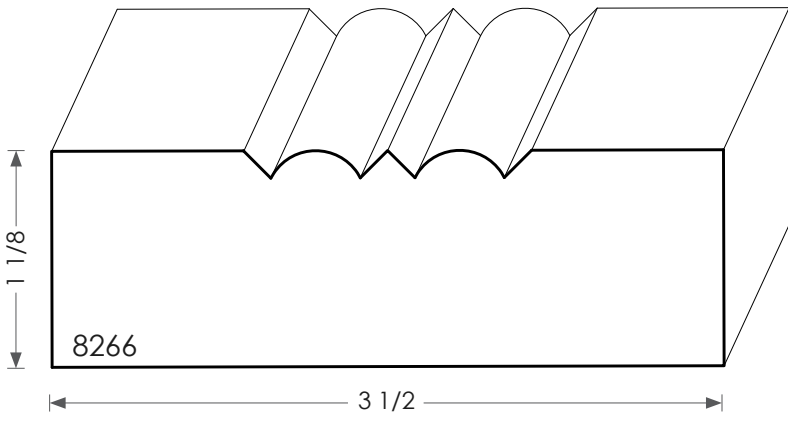




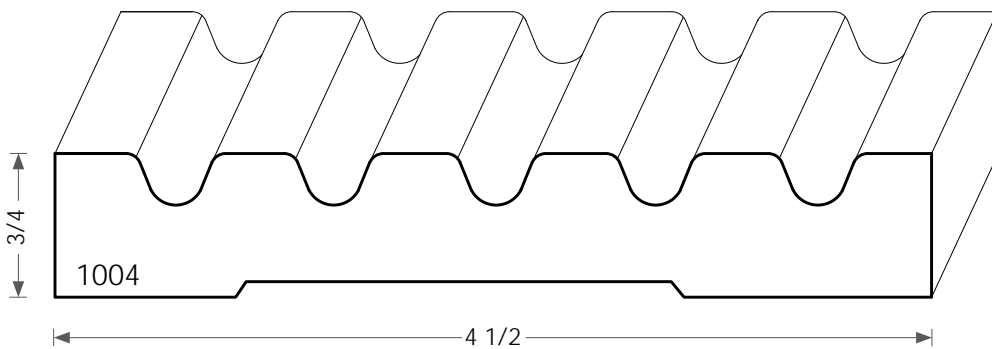
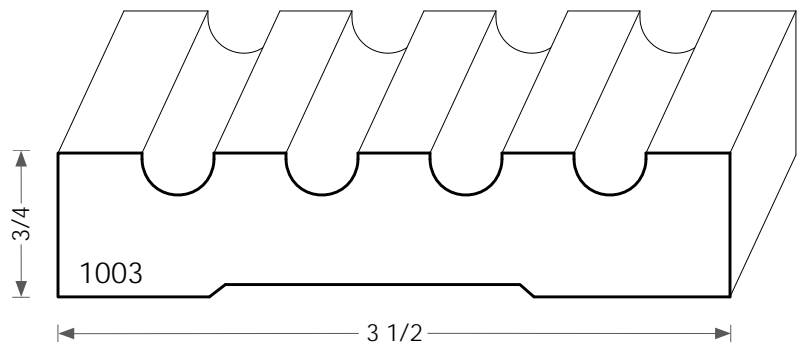
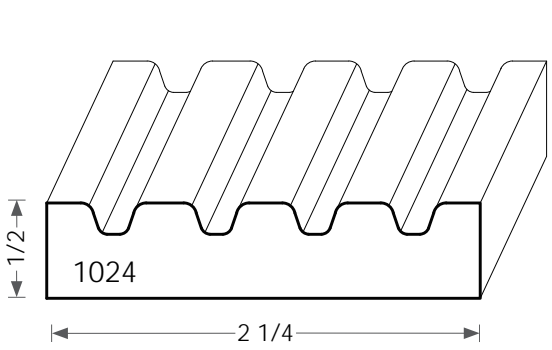
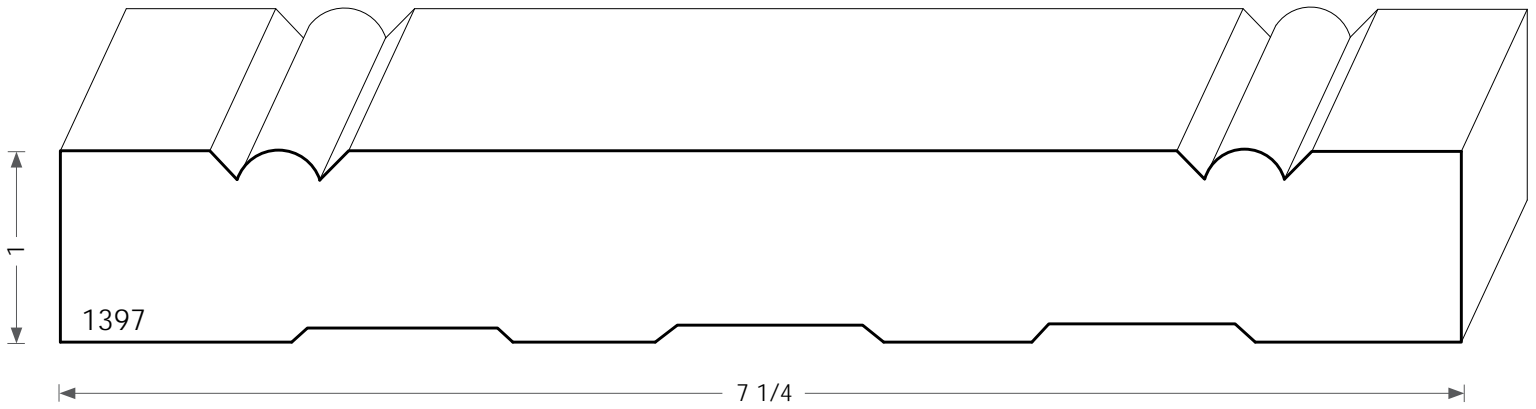
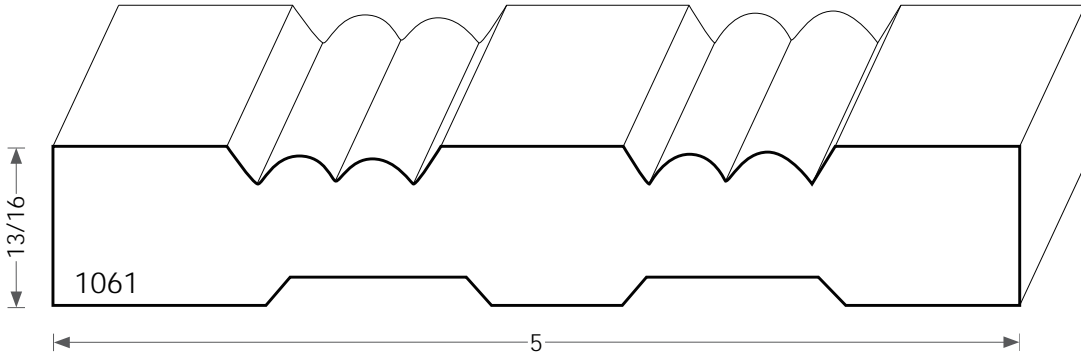
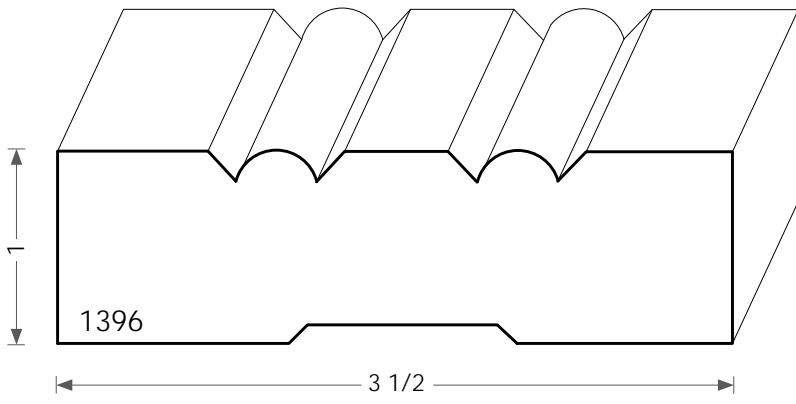
CASING  
SYMMETRIC

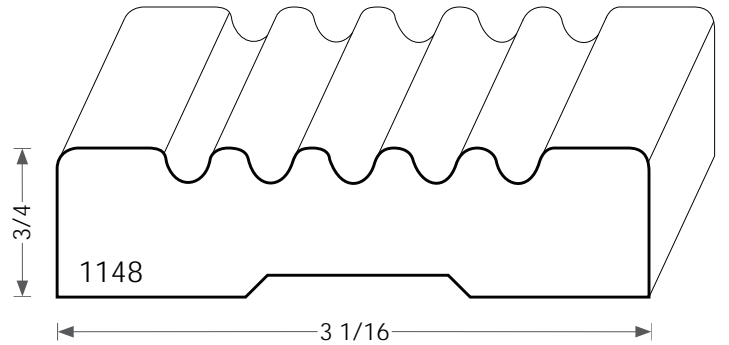
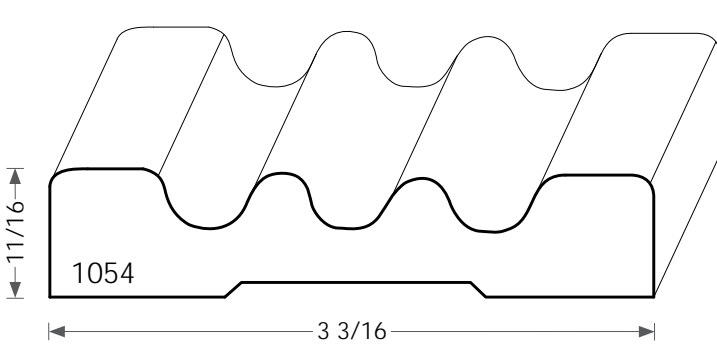
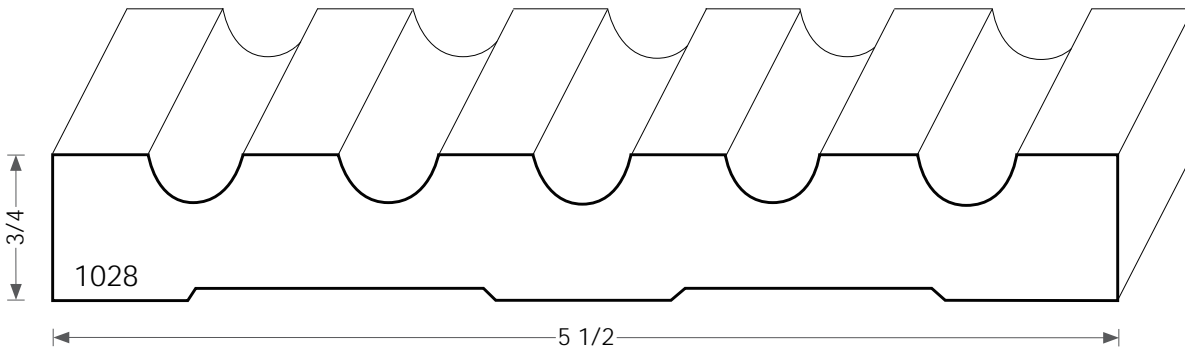
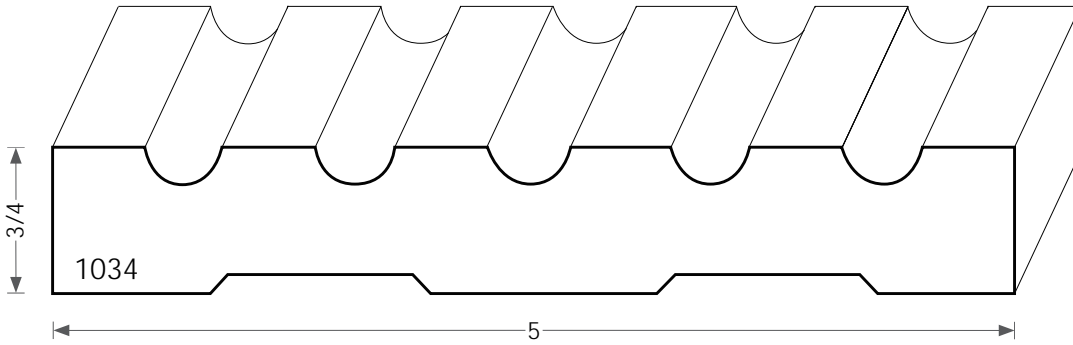
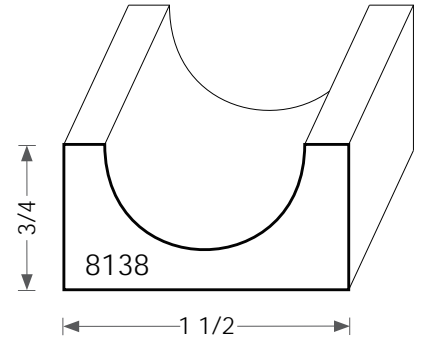
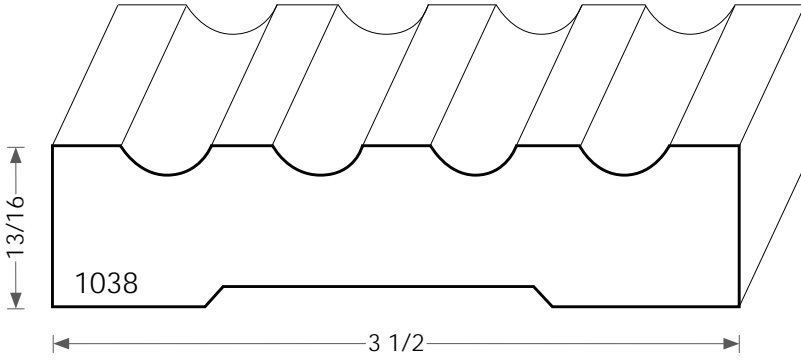
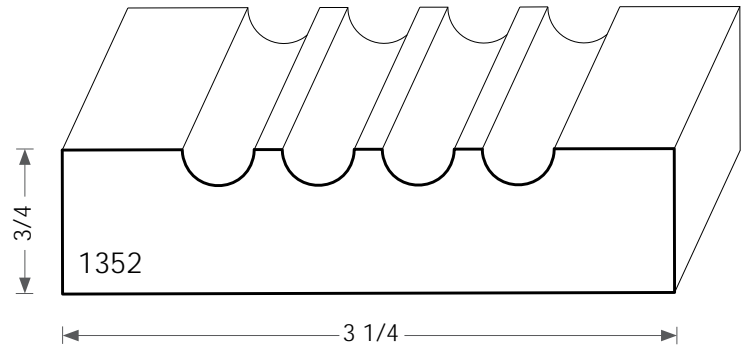
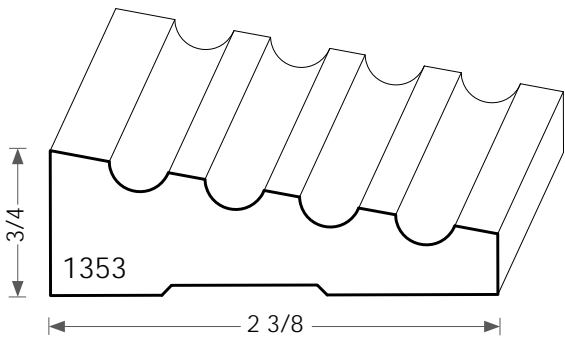




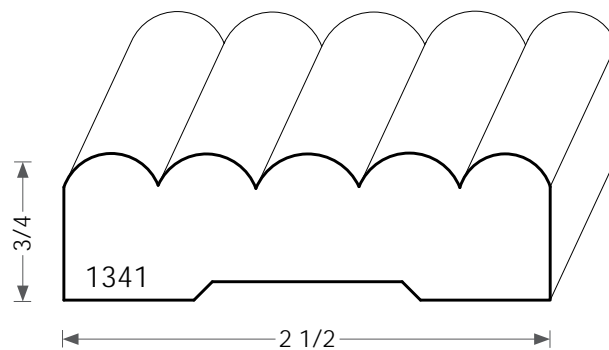
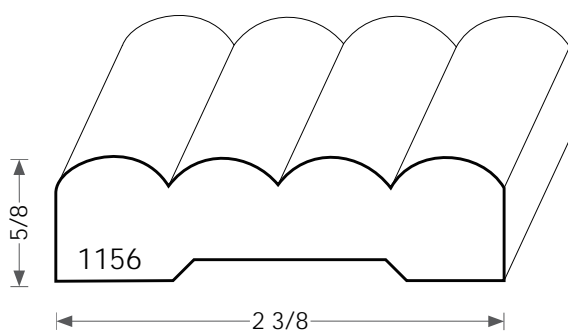
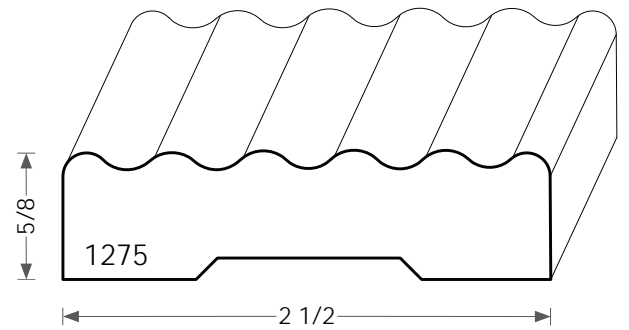
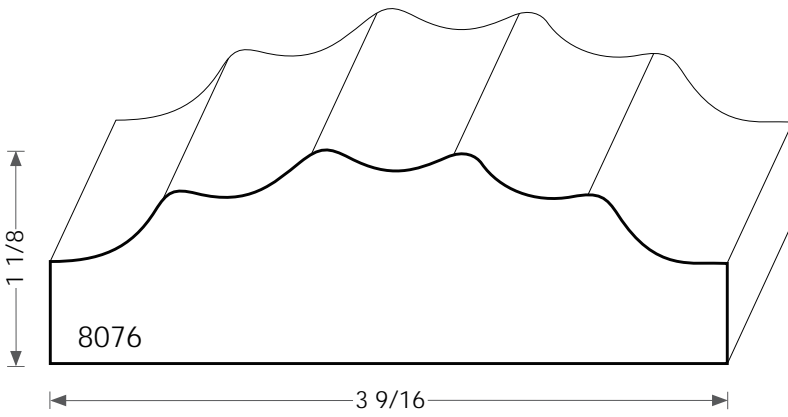
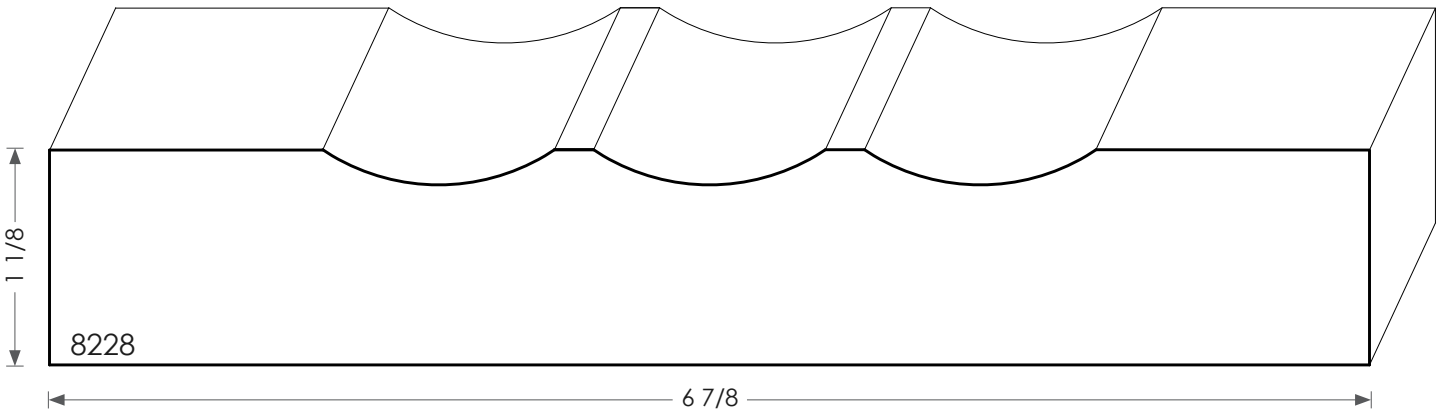
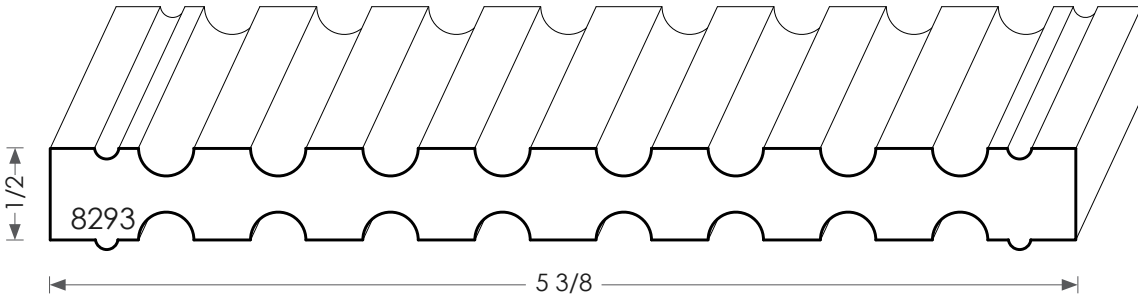
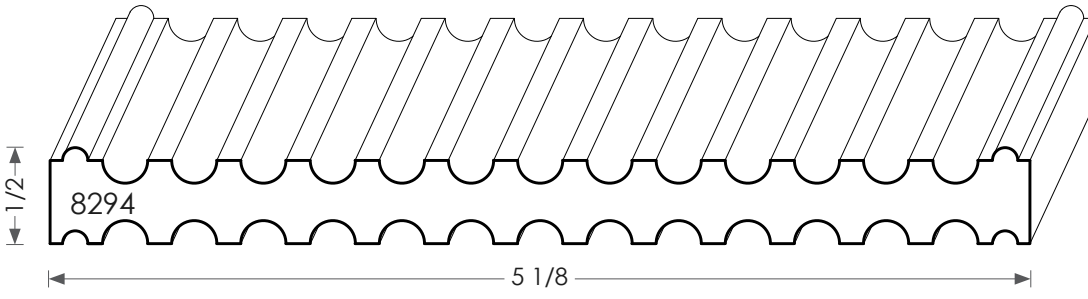


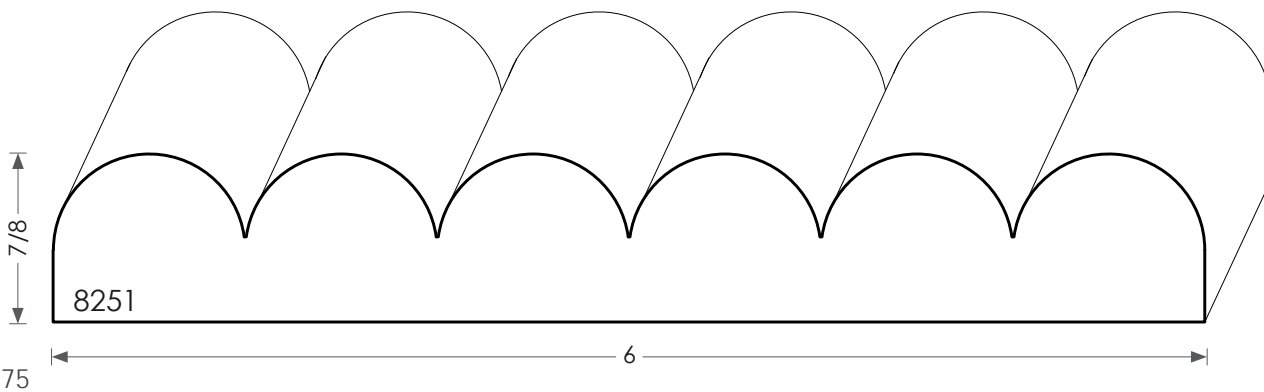
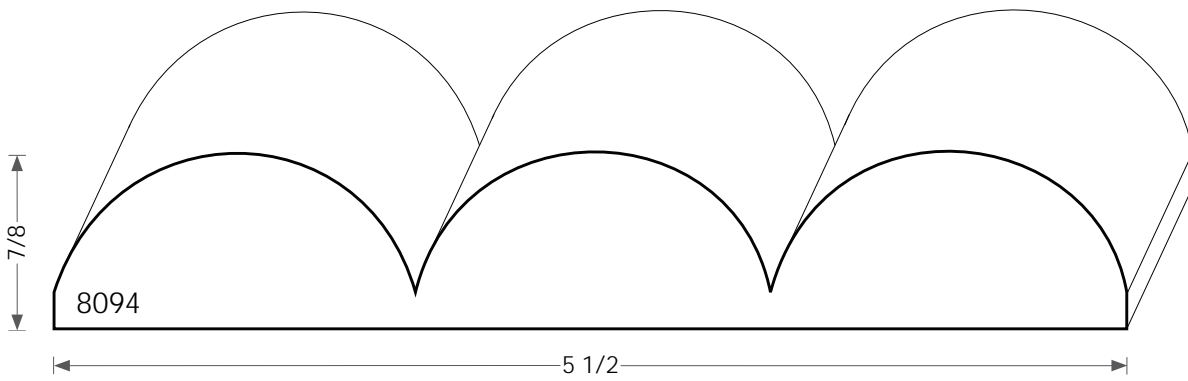
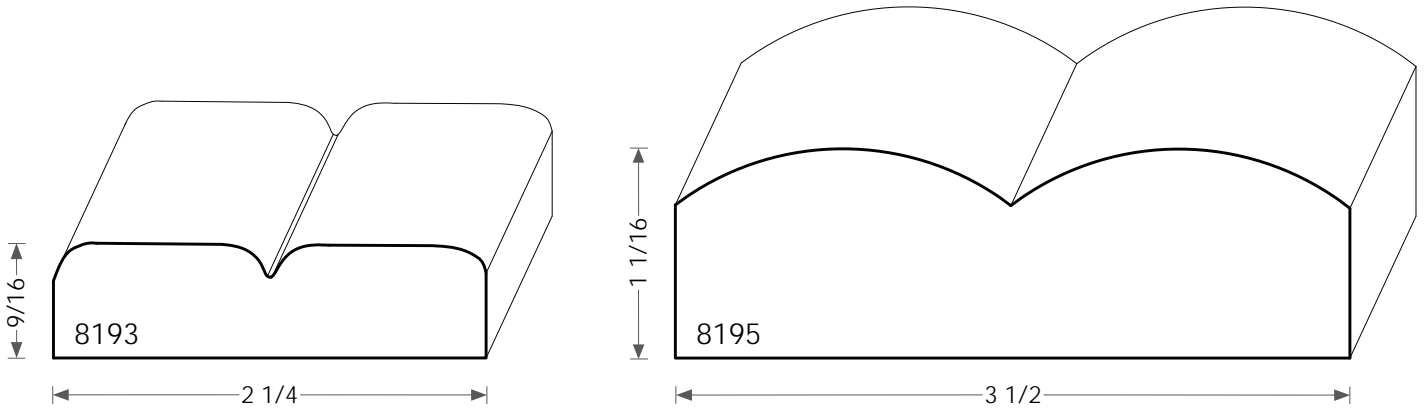
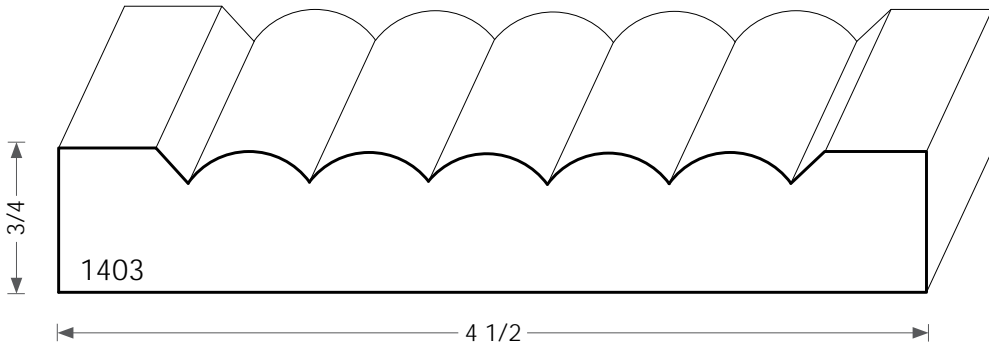
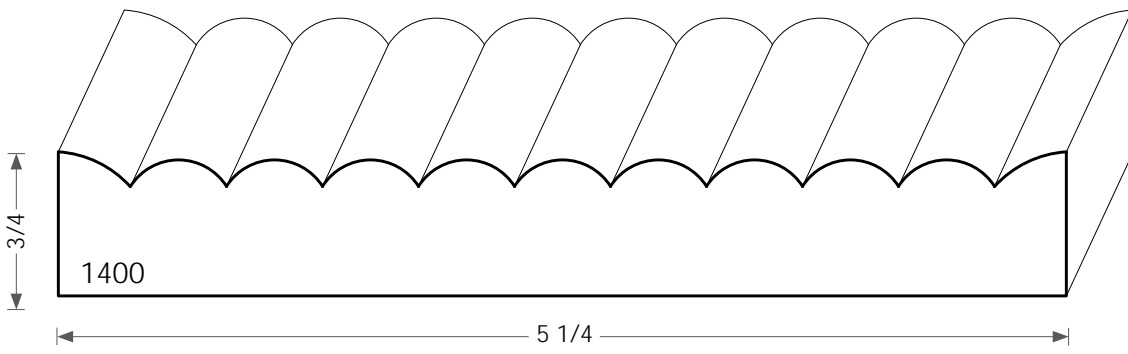
CASING  
REEDED, FLUTED

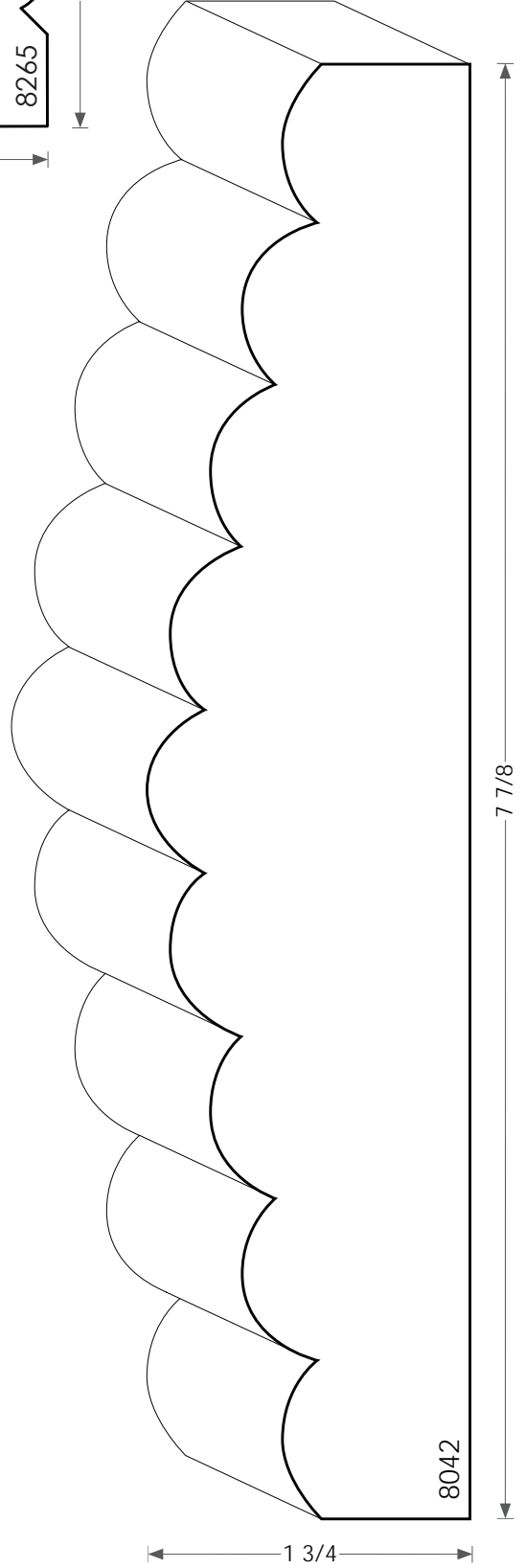
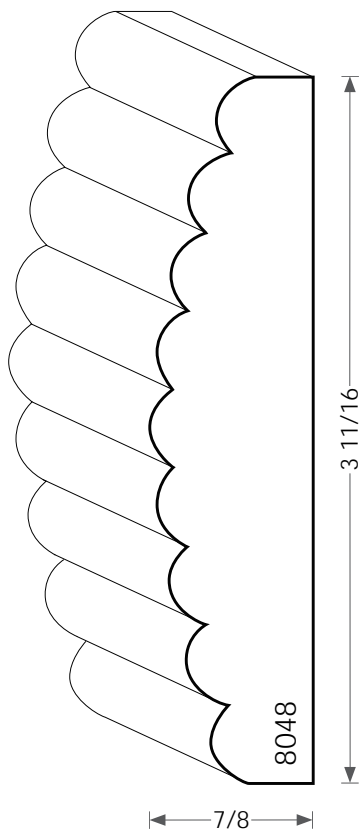
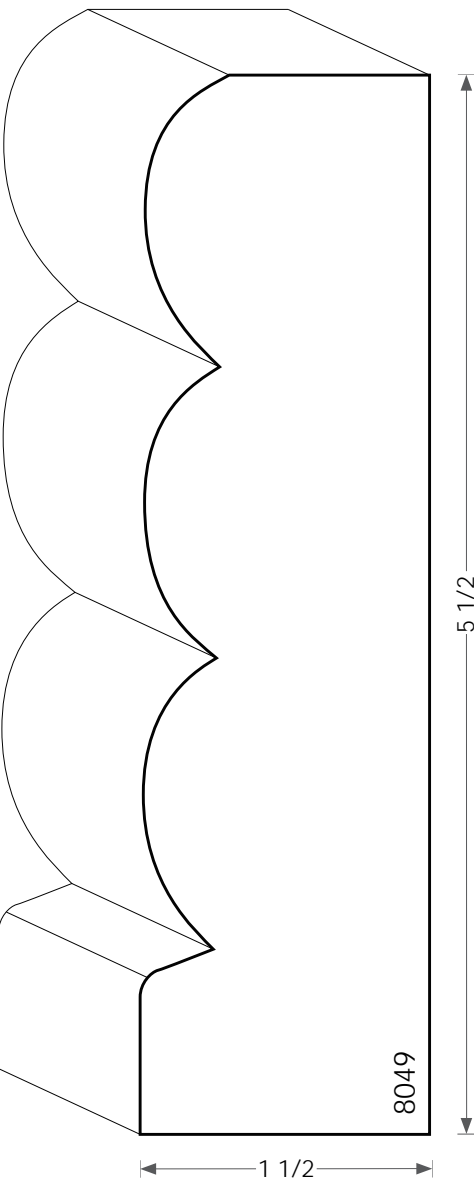
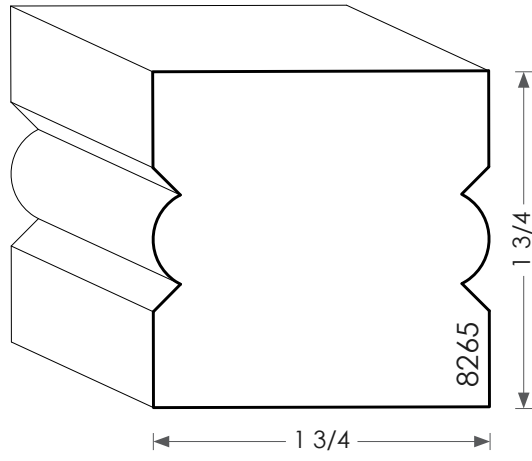
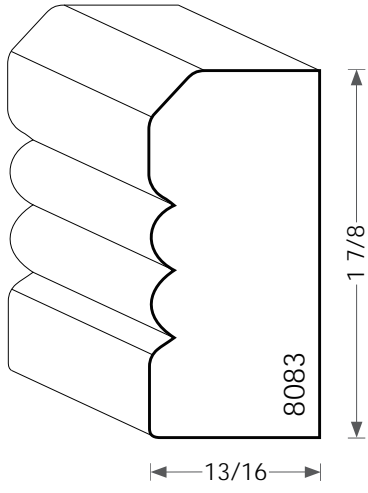




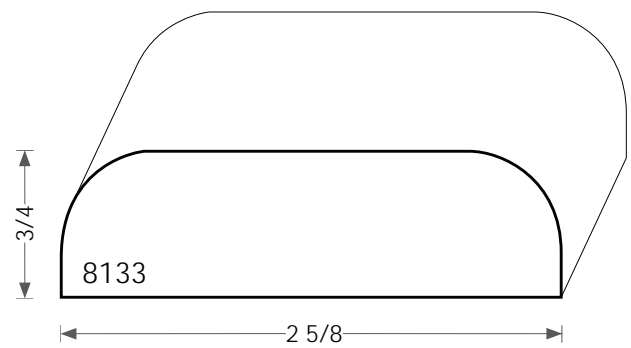
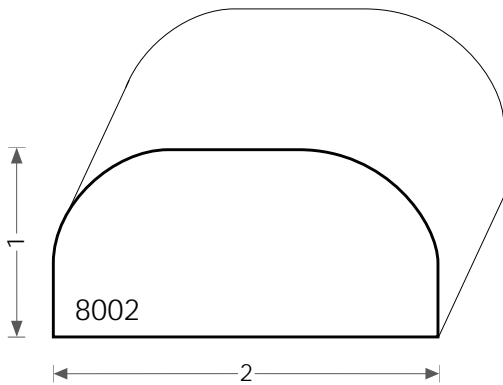
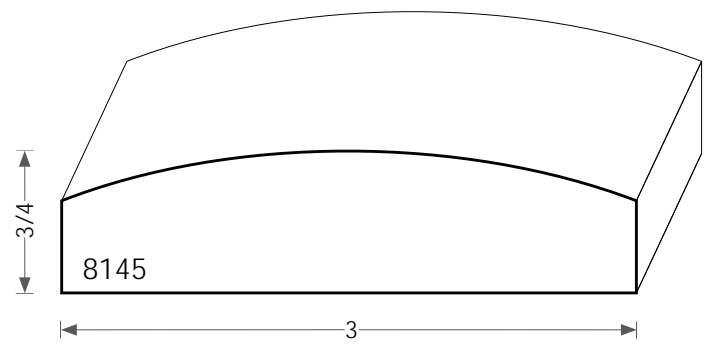
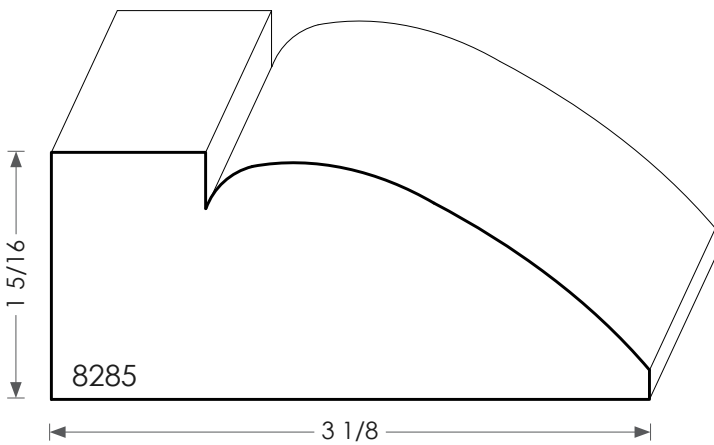
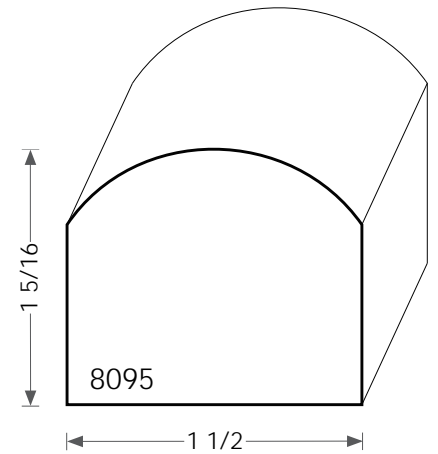
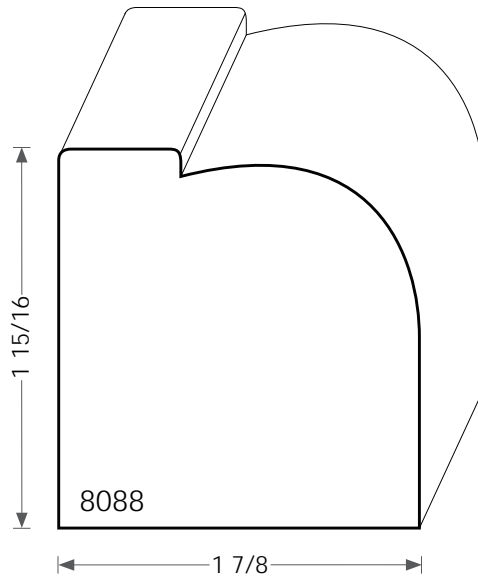
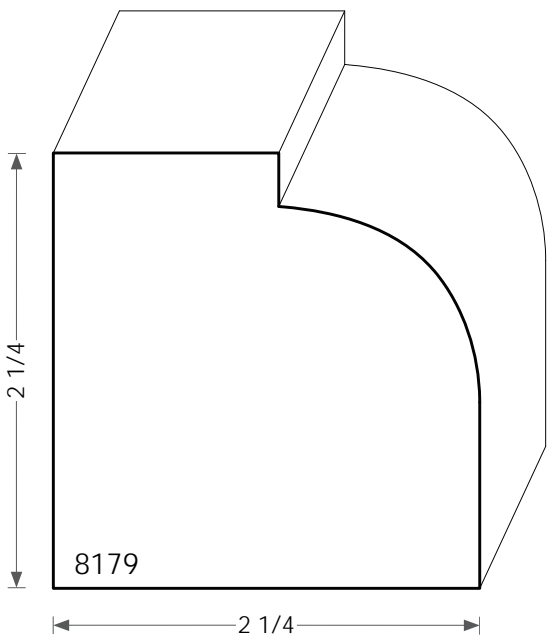
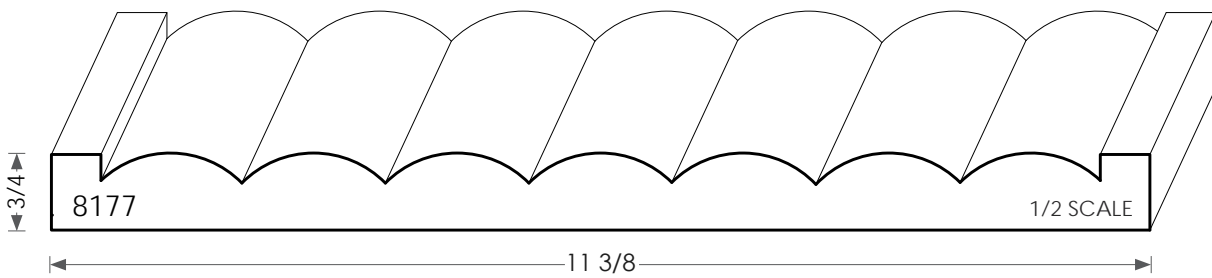
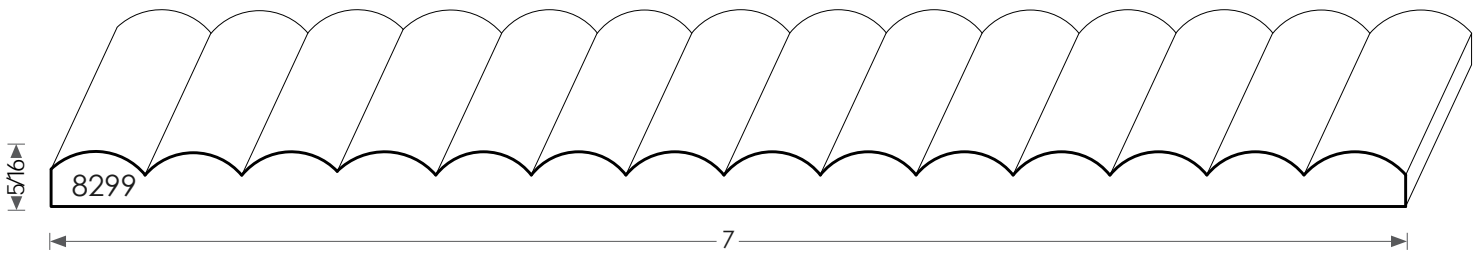
CASING  
REBEDED, FLUTED

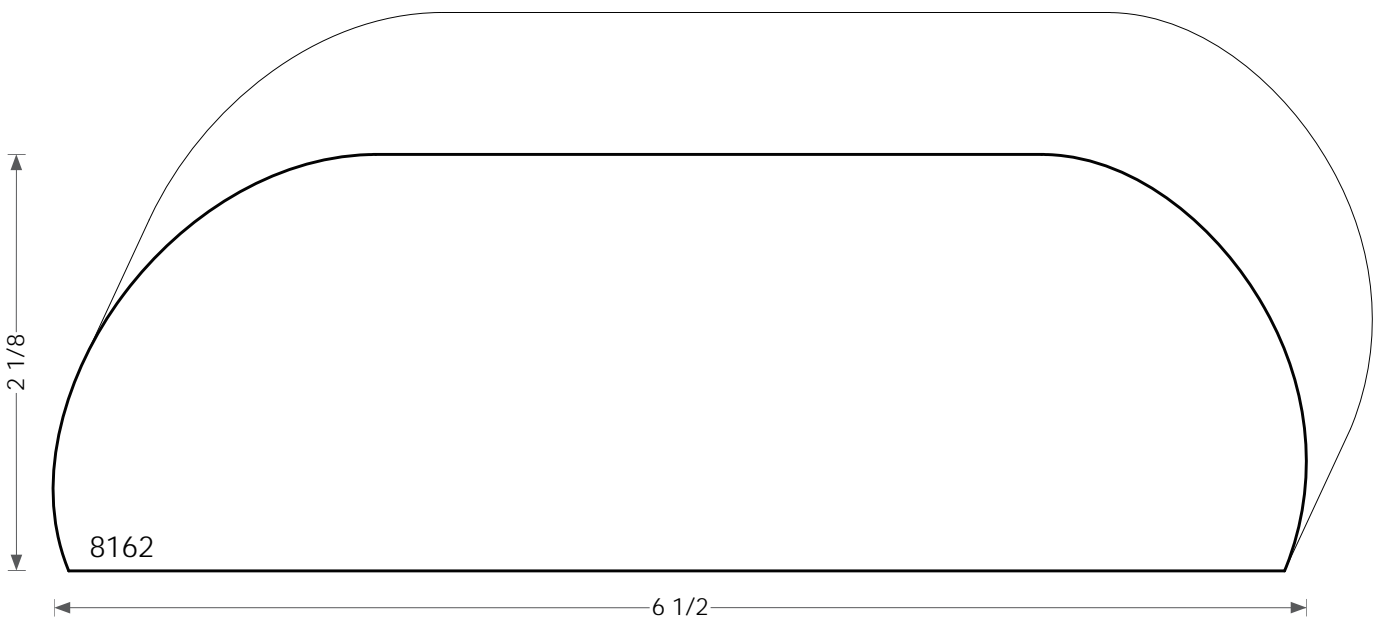
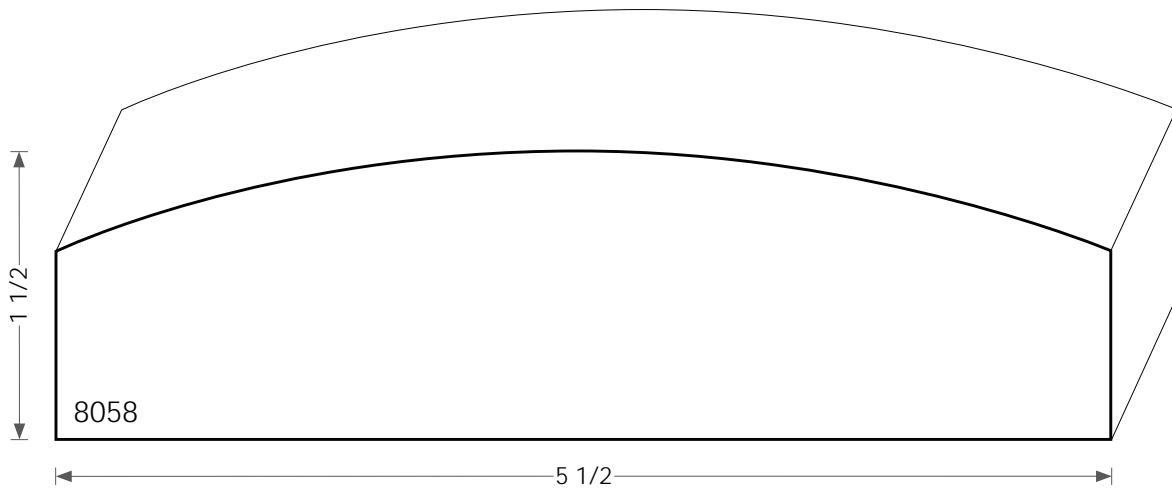
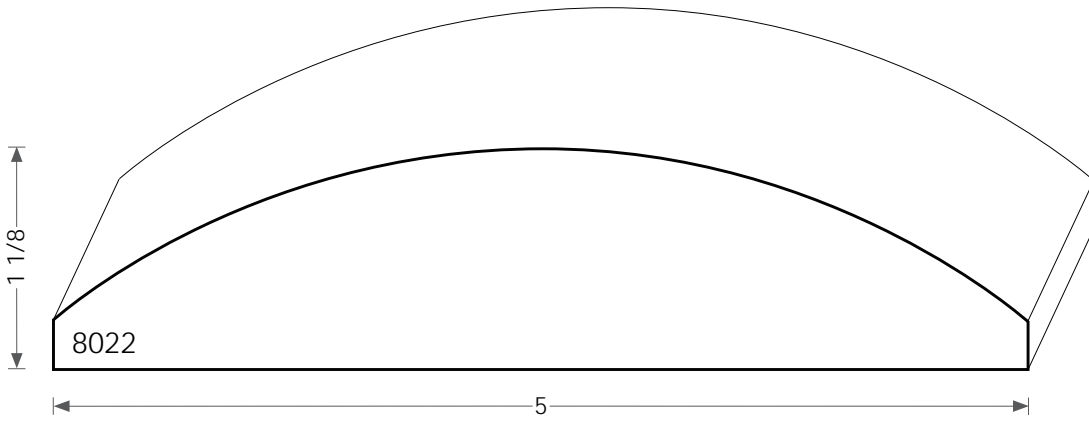
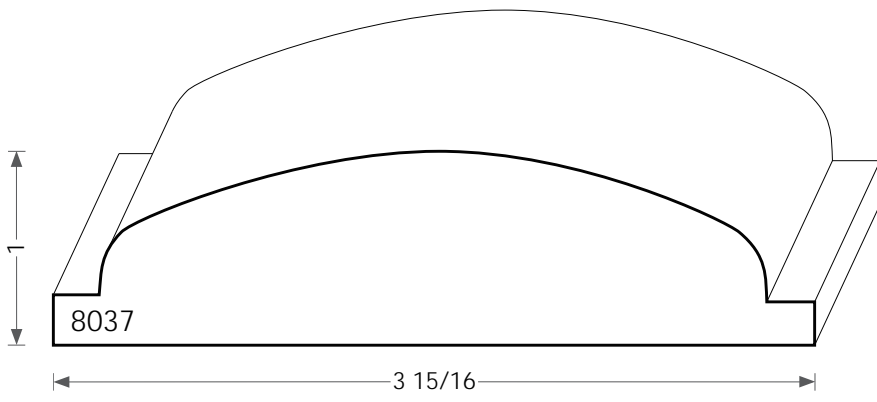




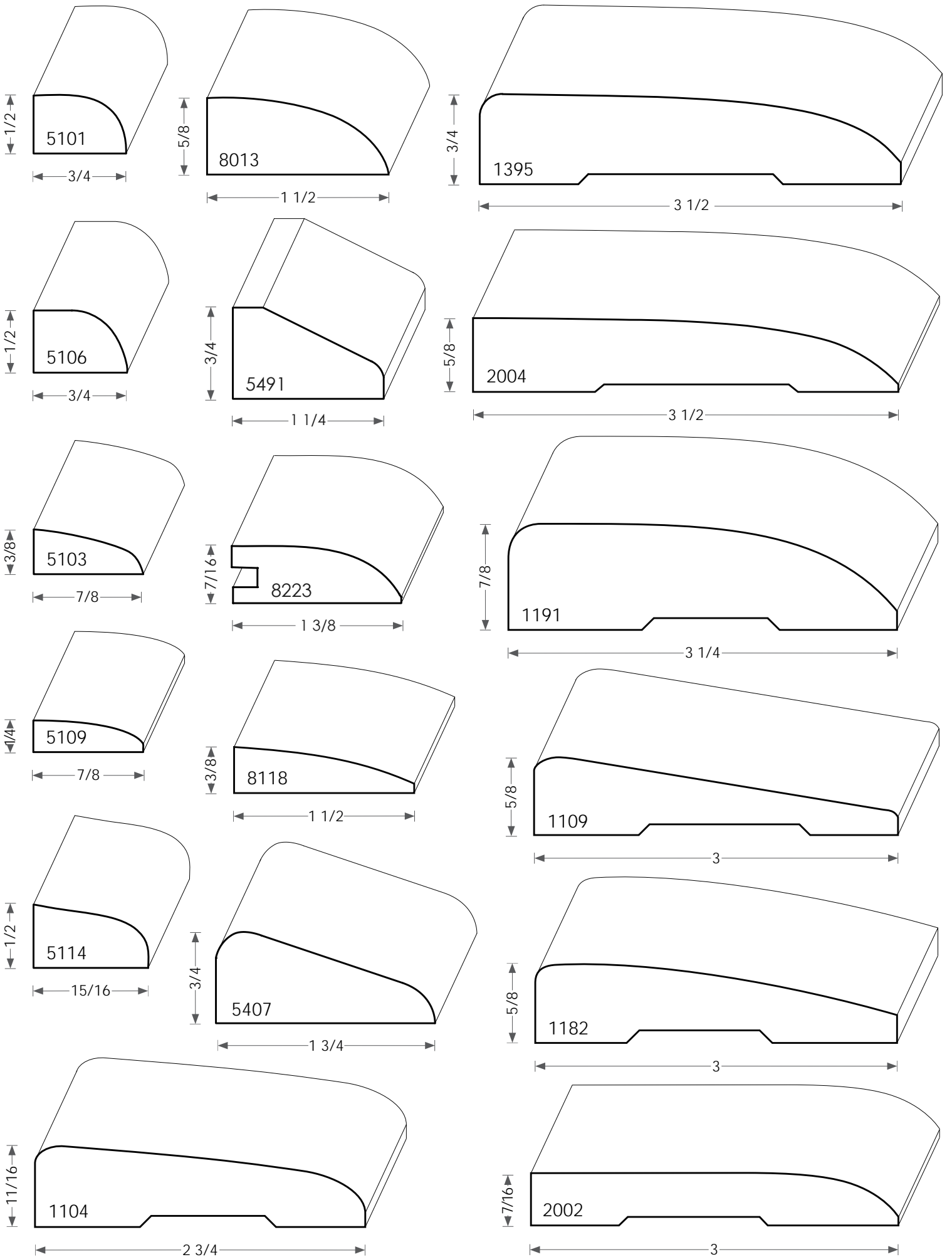


CASING  
 REEDED, FLUTED

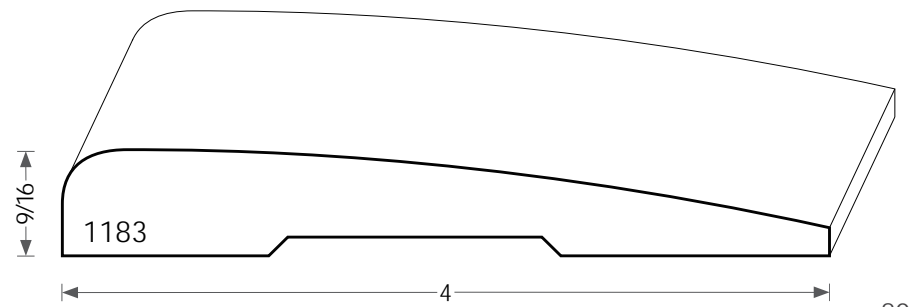
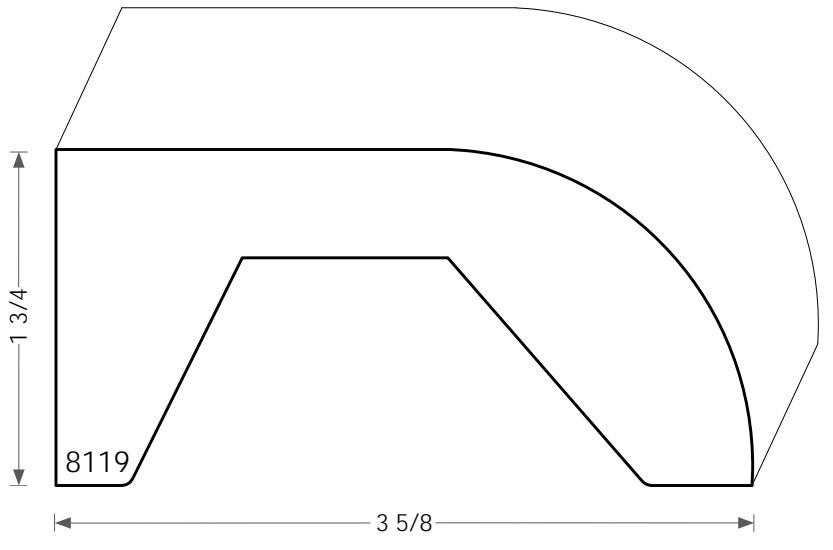
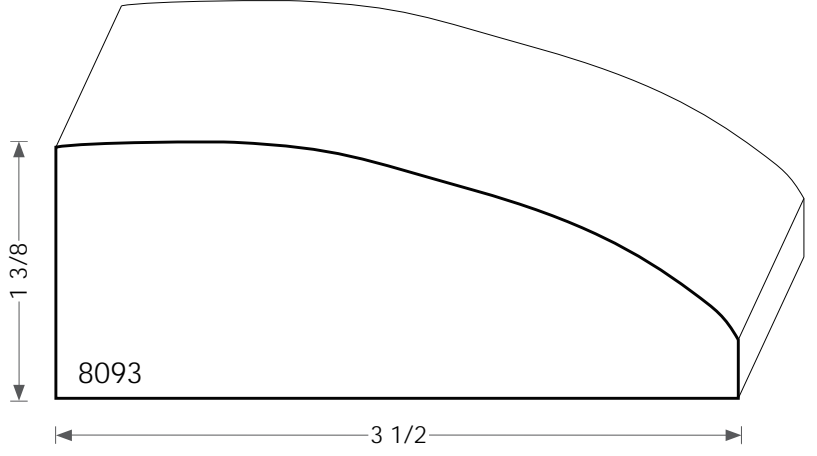
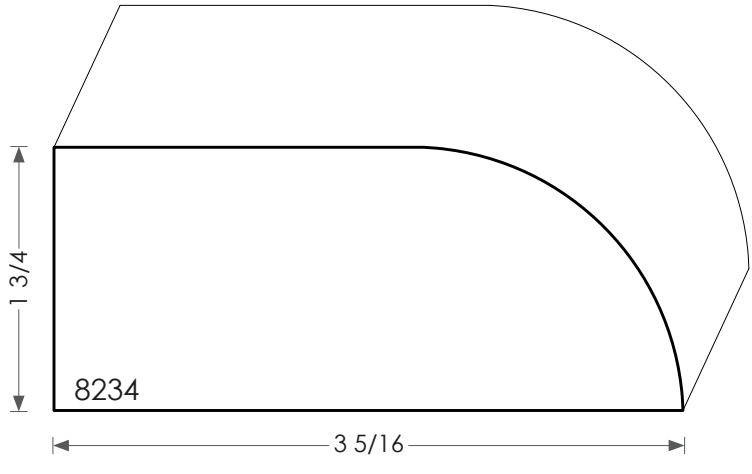
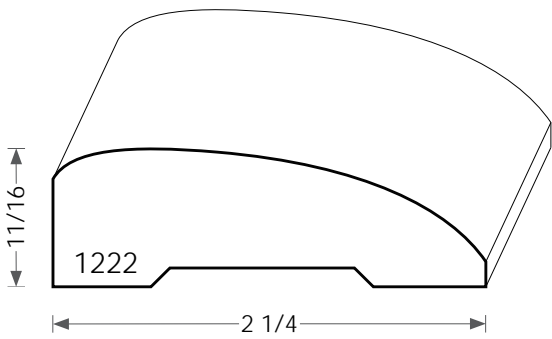
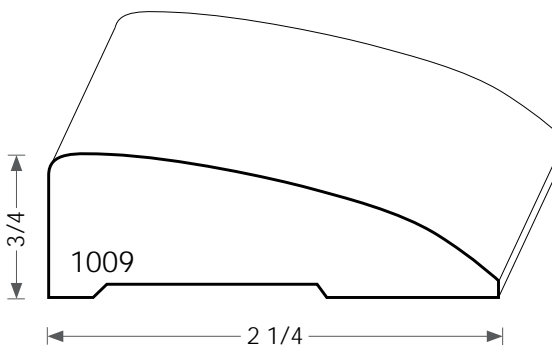
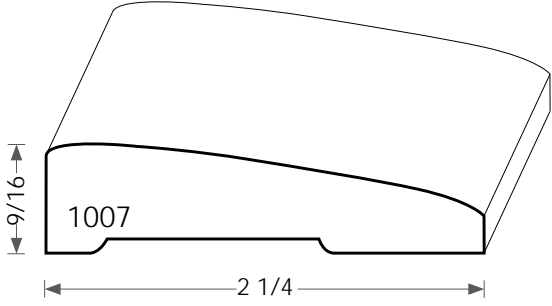
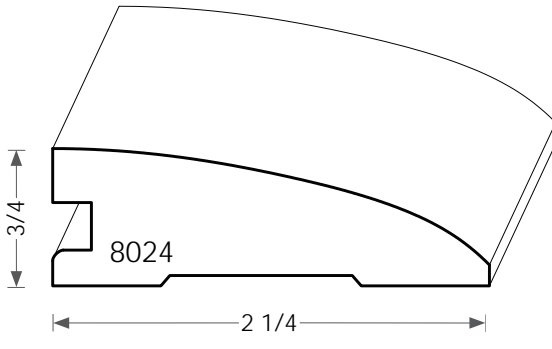
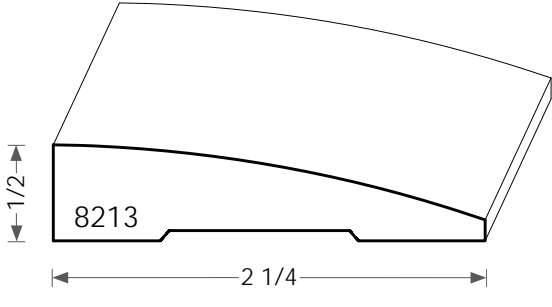
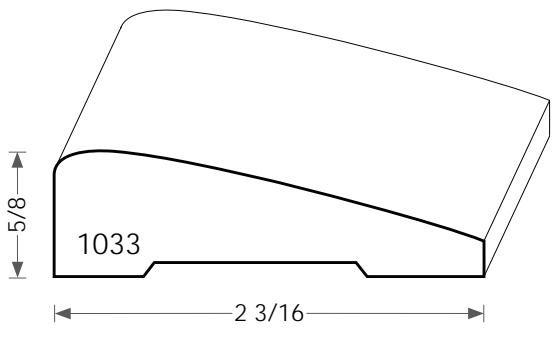


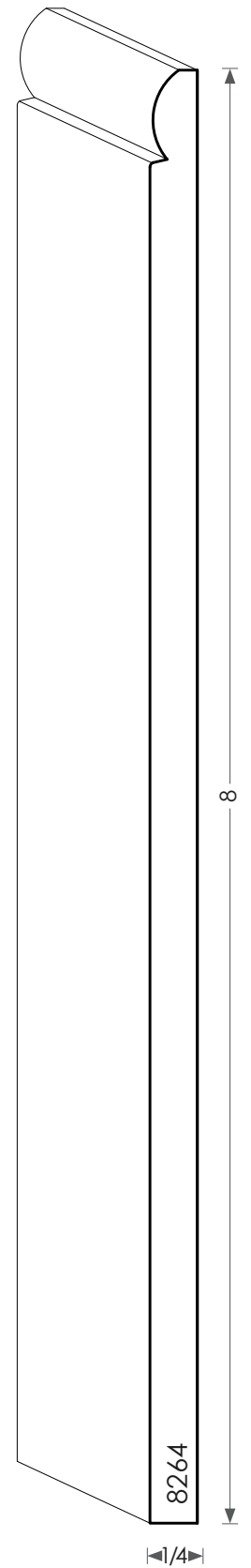
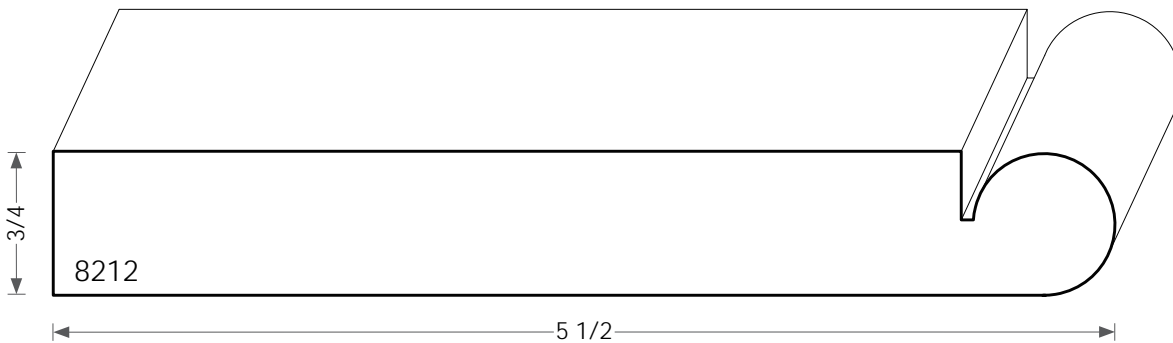
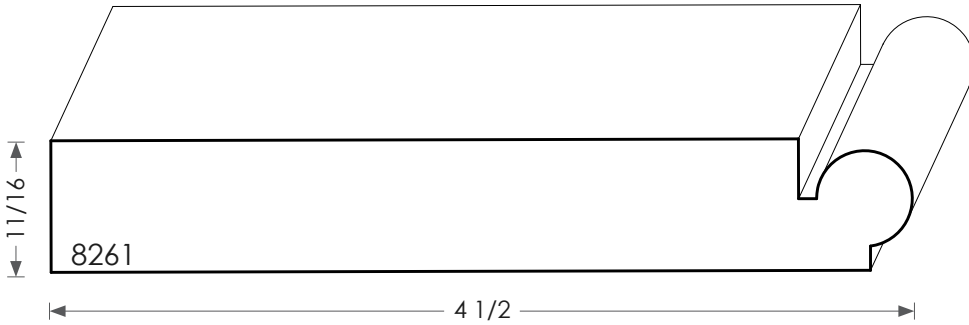
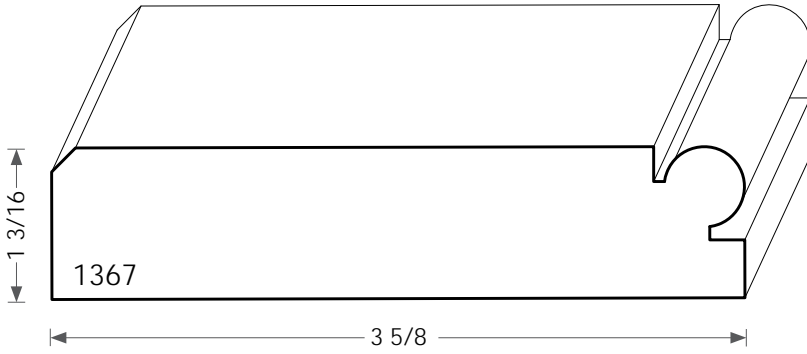
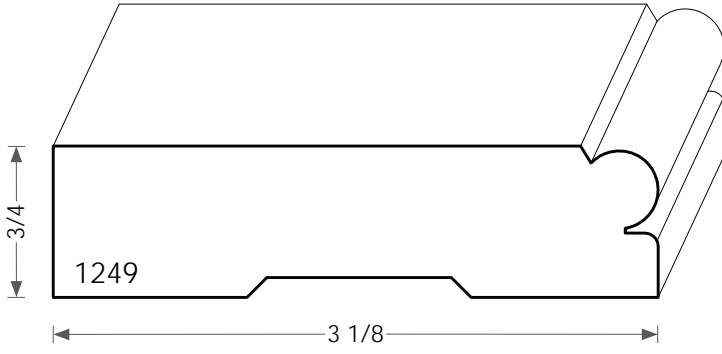
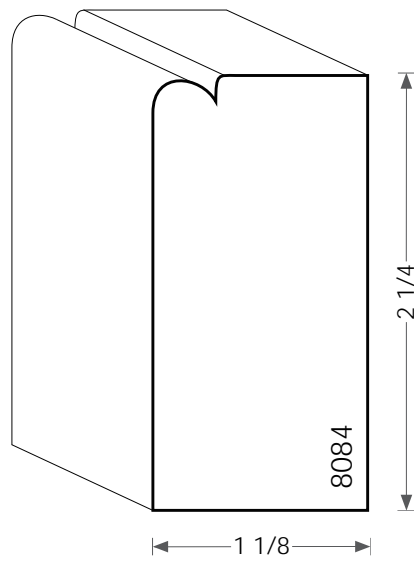
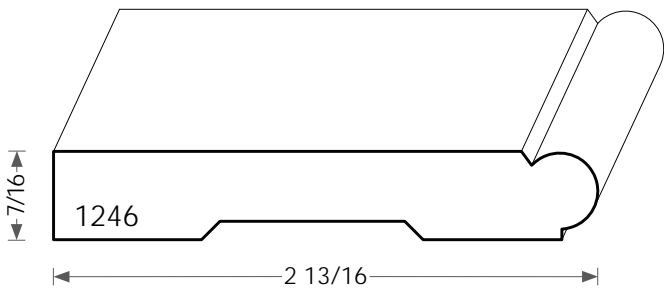




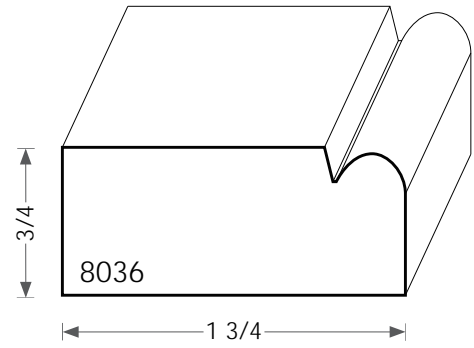
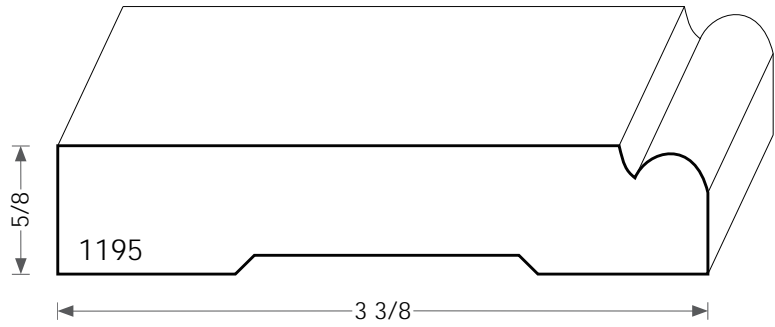
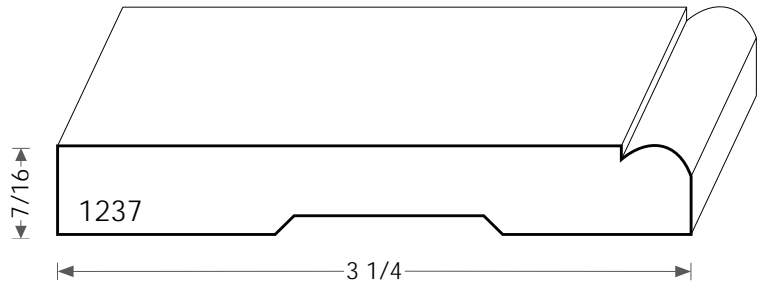
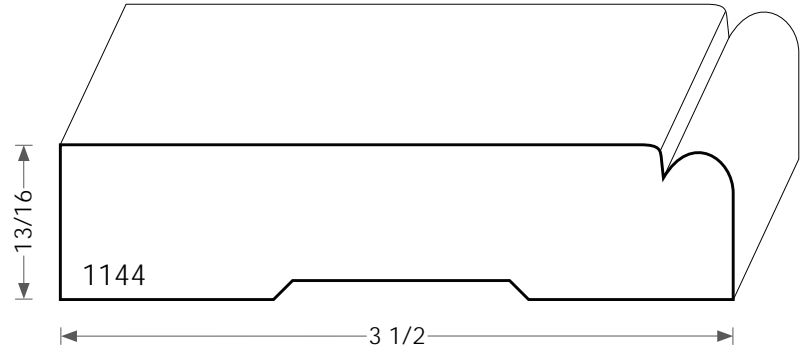
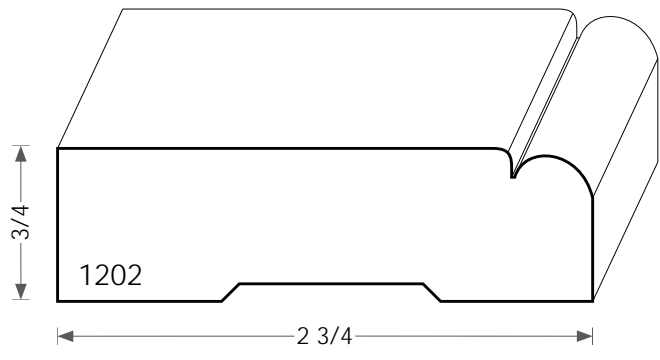
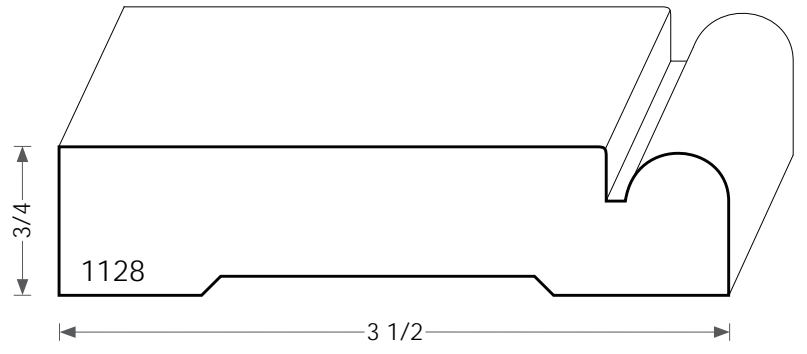
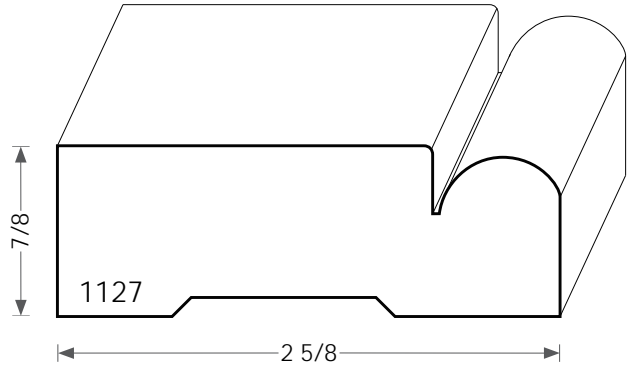
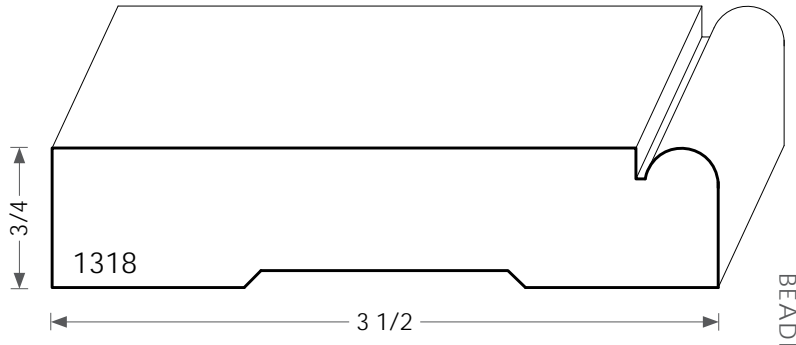
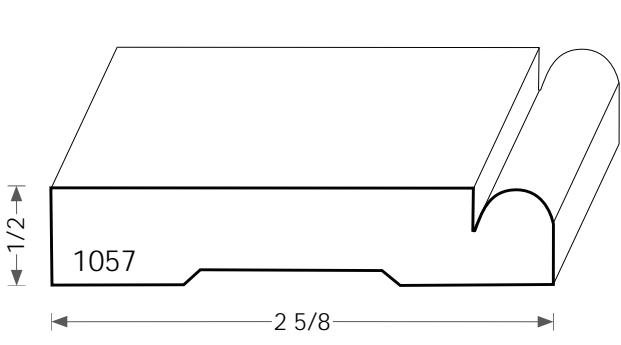


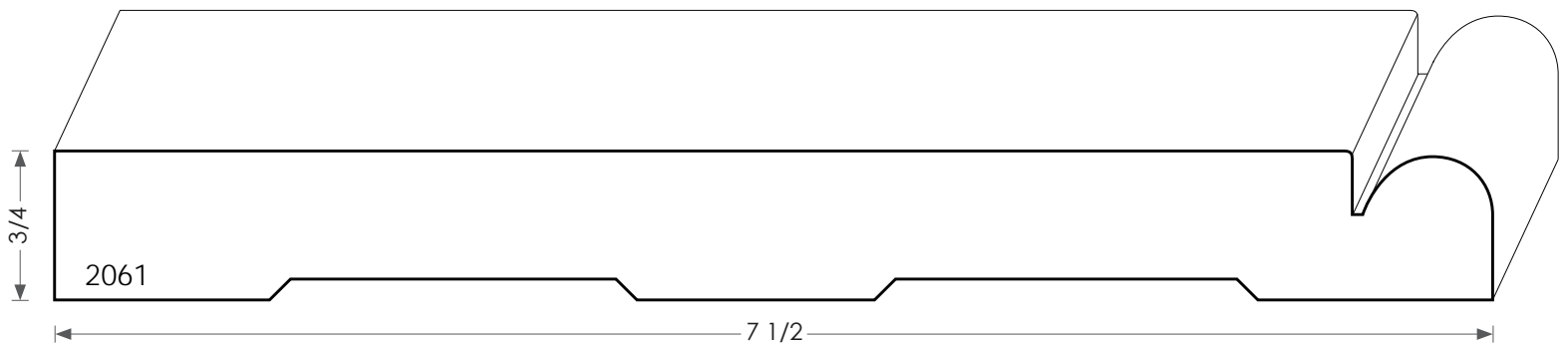
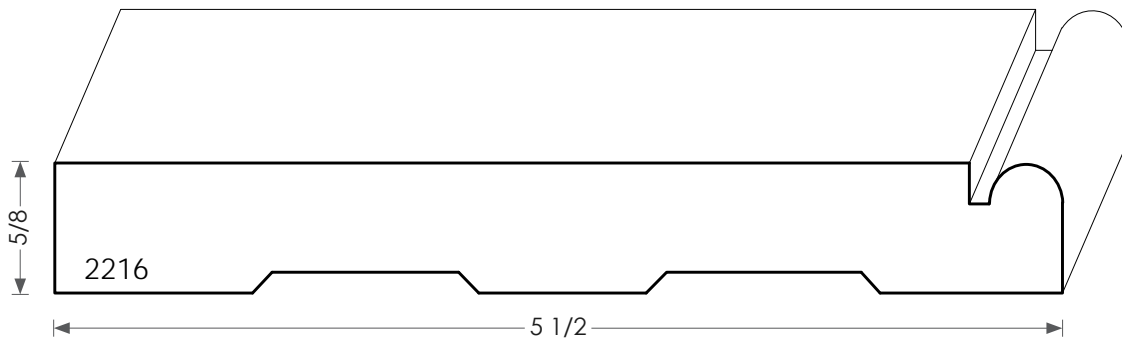
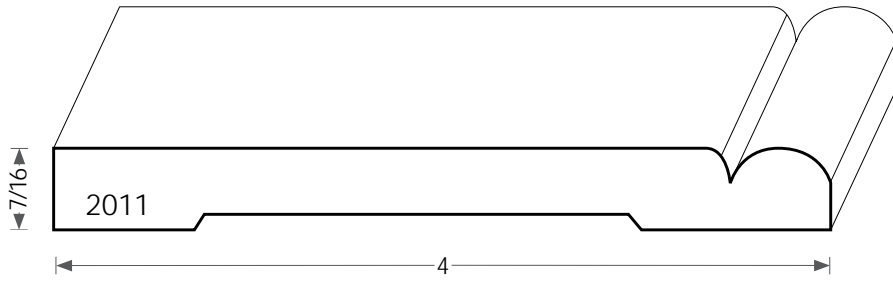
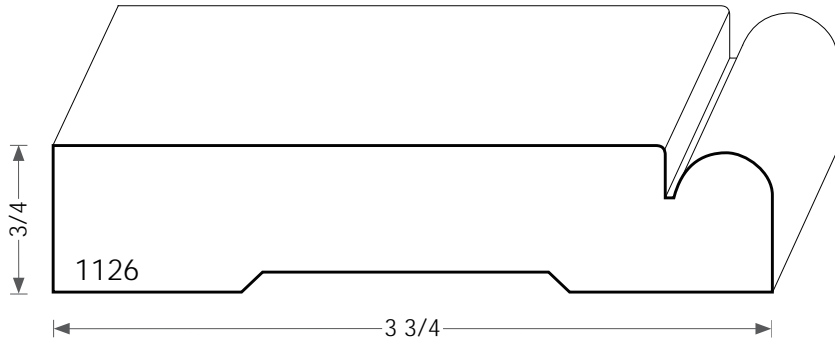
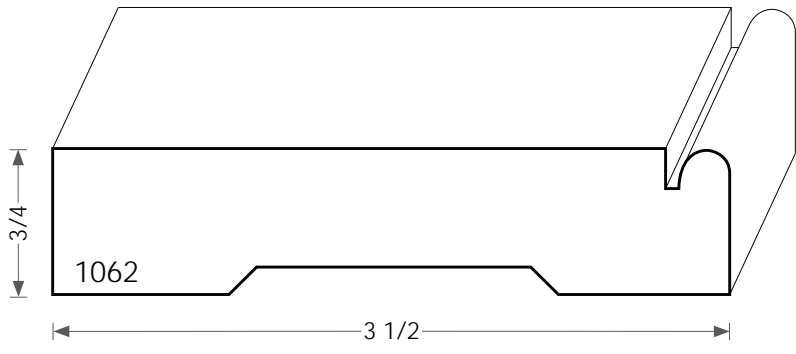
CASING  
STREAMLINED MODERN

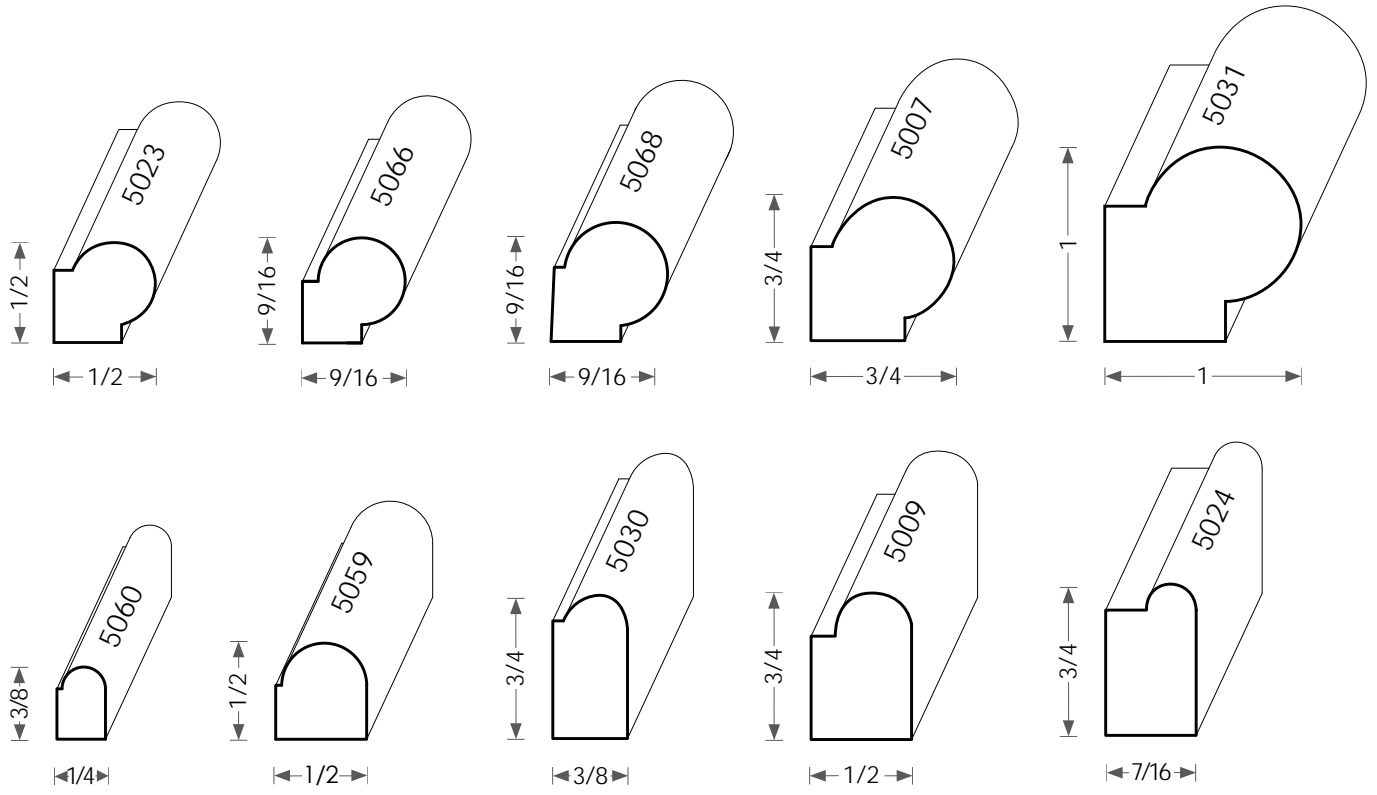




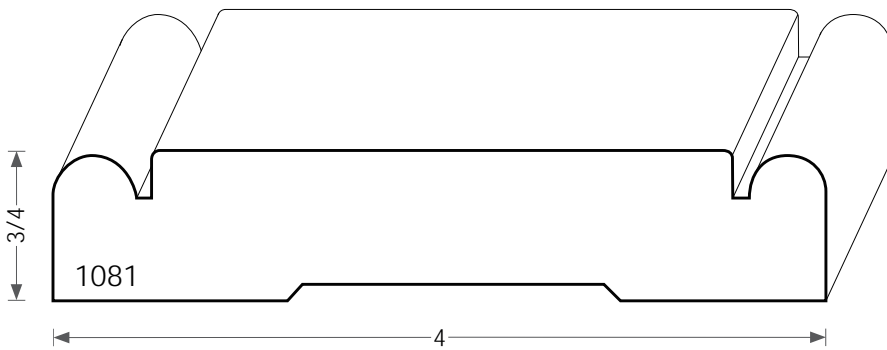
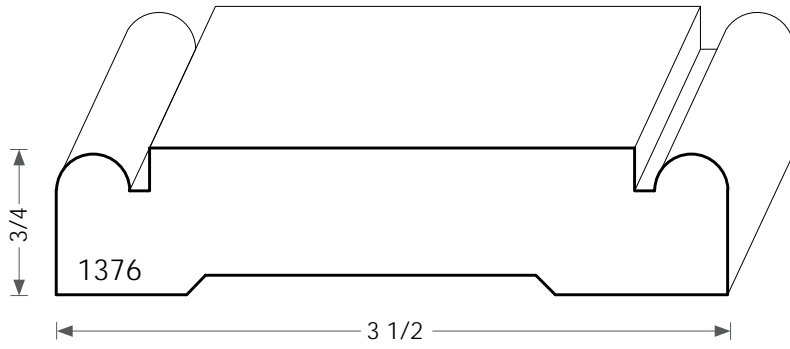
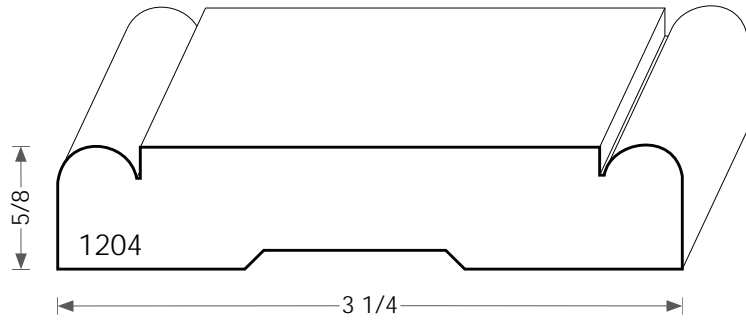
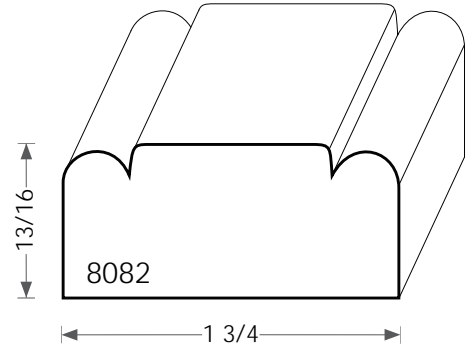
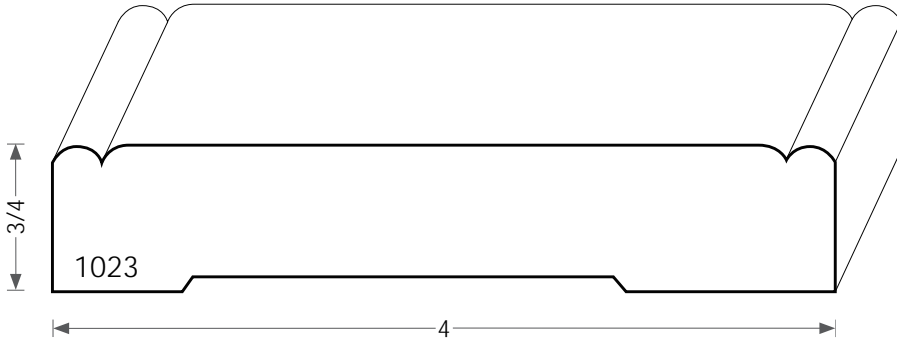
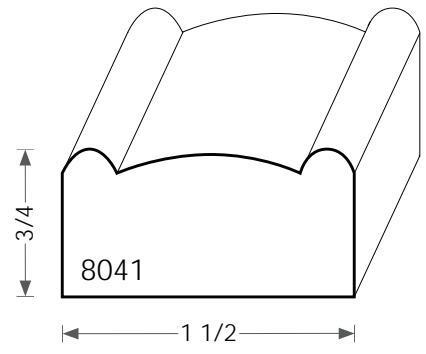
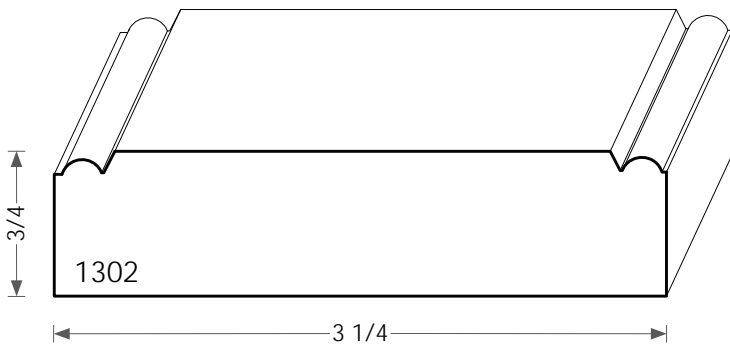
CASING  
BEADED



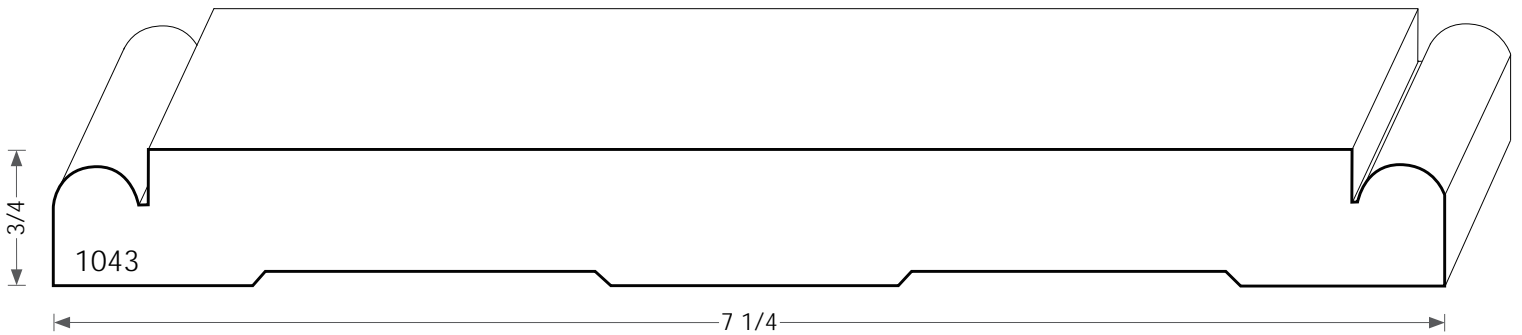
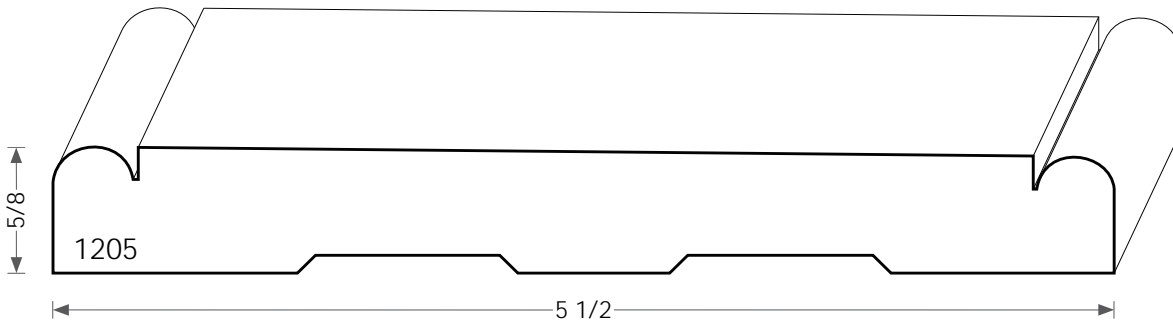
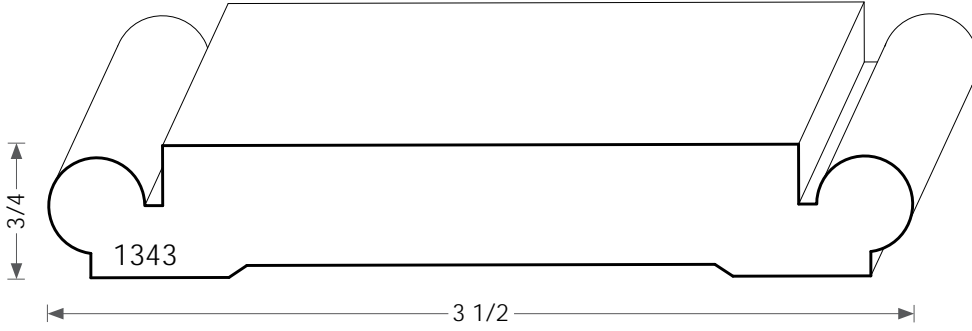
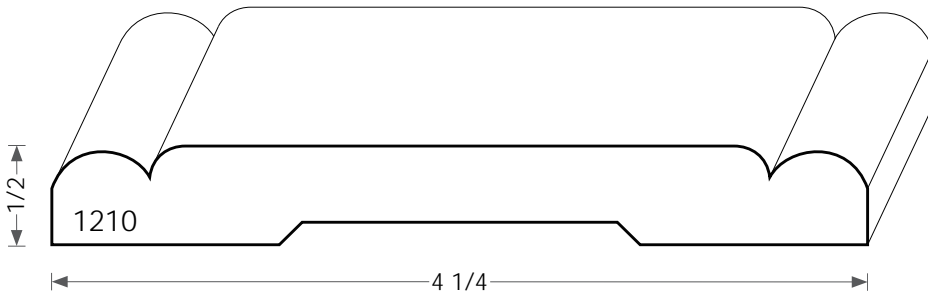




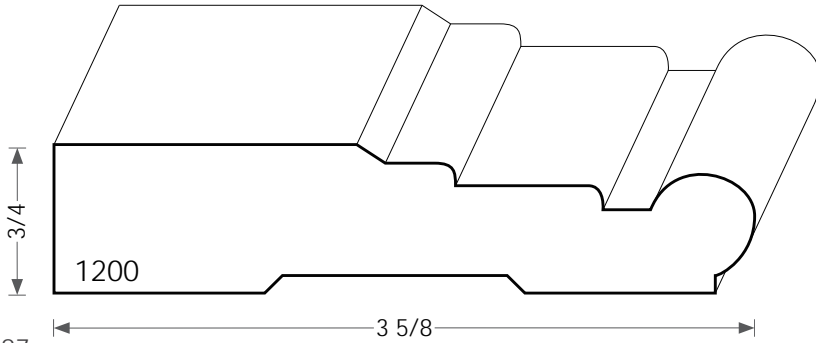
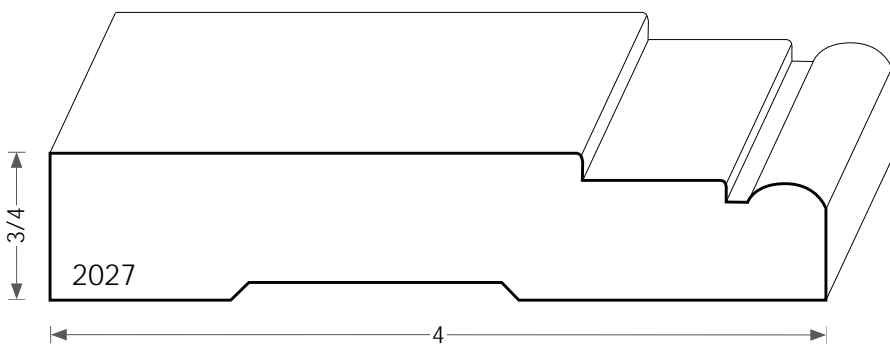
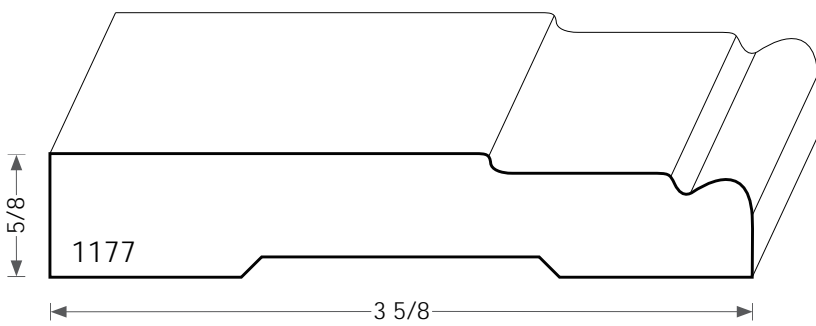
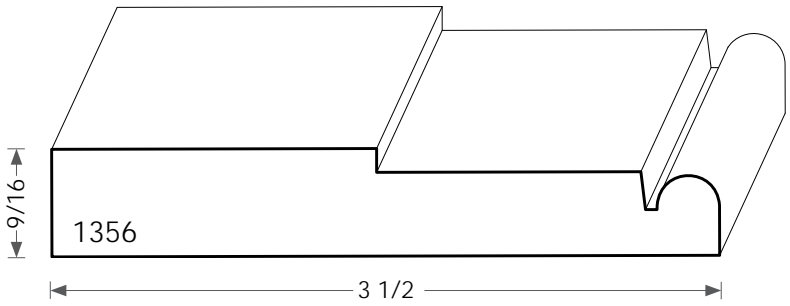
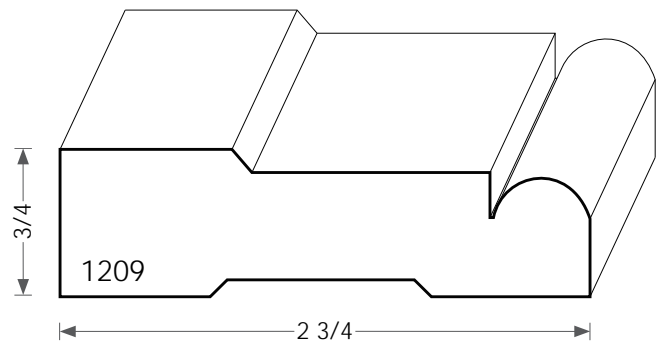
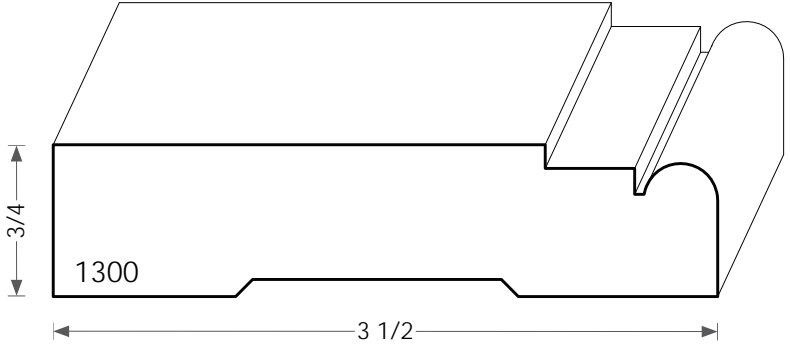
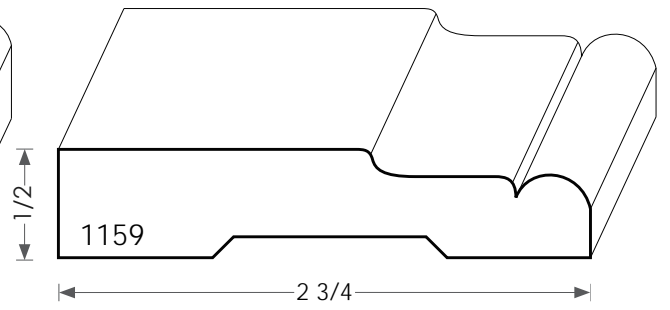
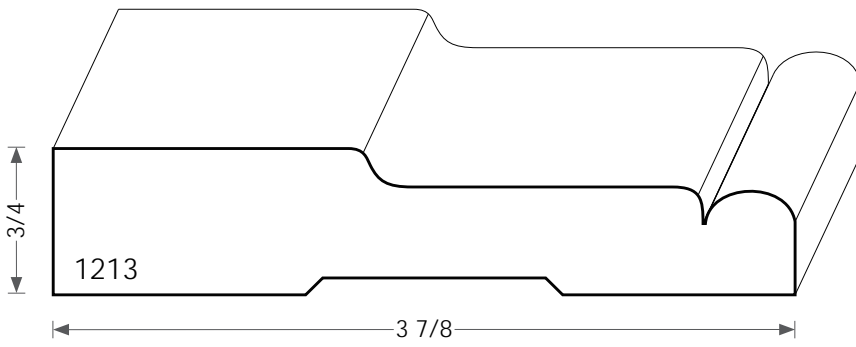
CASING  
BEADED



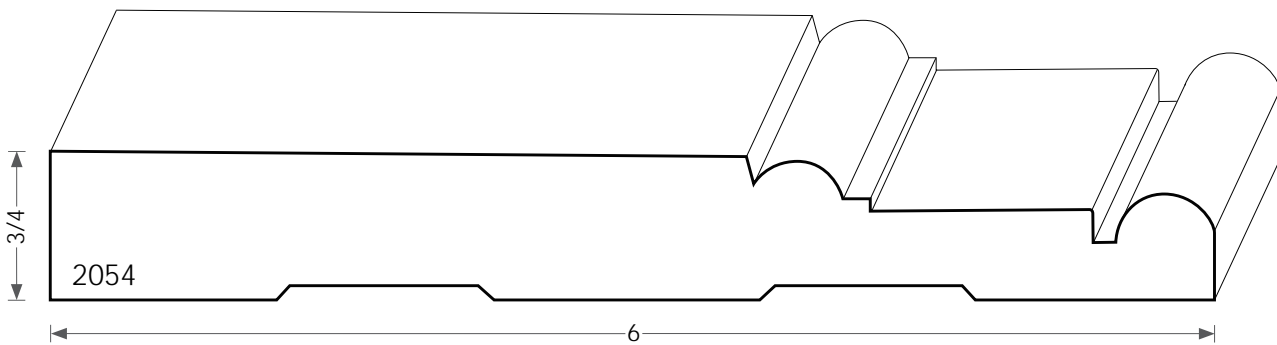
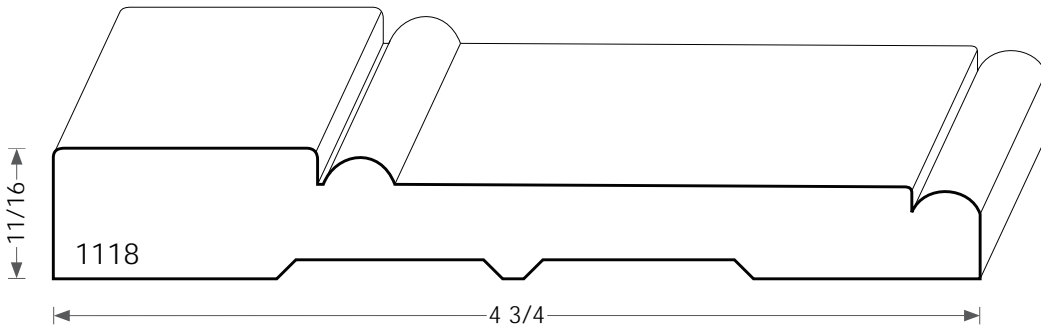
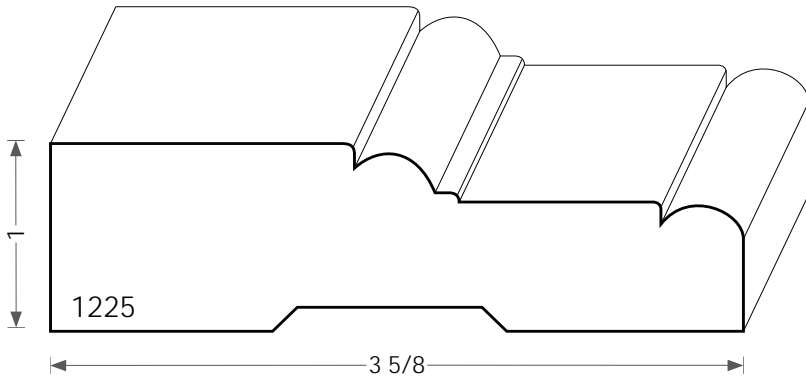
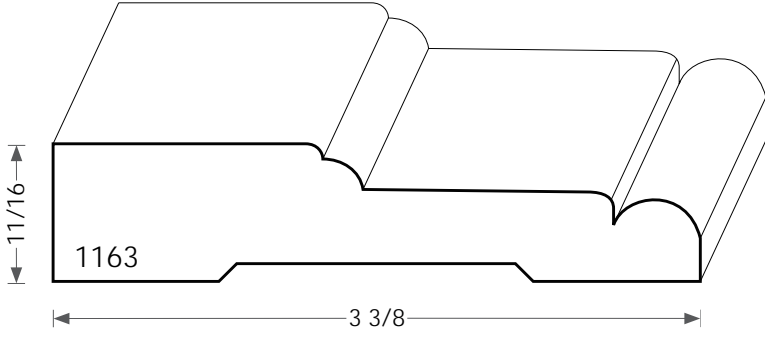
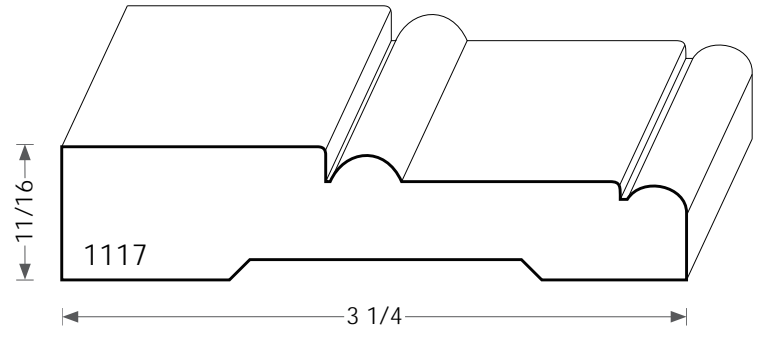
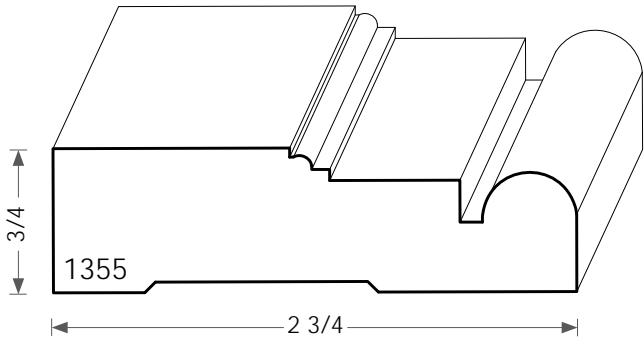
CASING  
BEADED SYMMETRIC

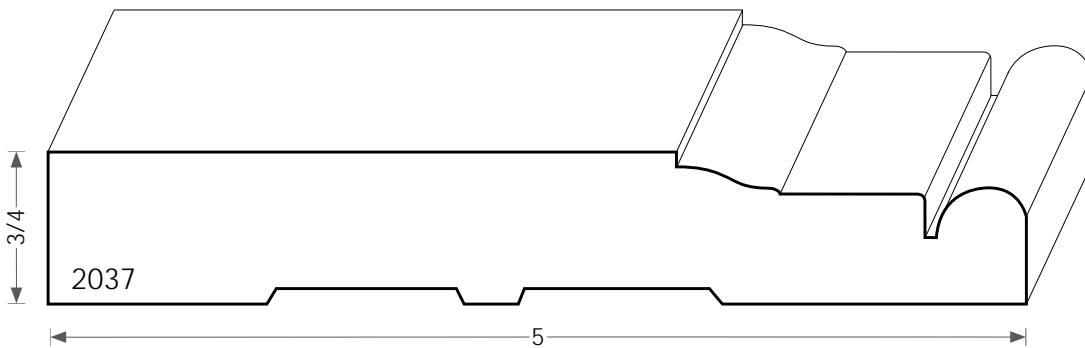
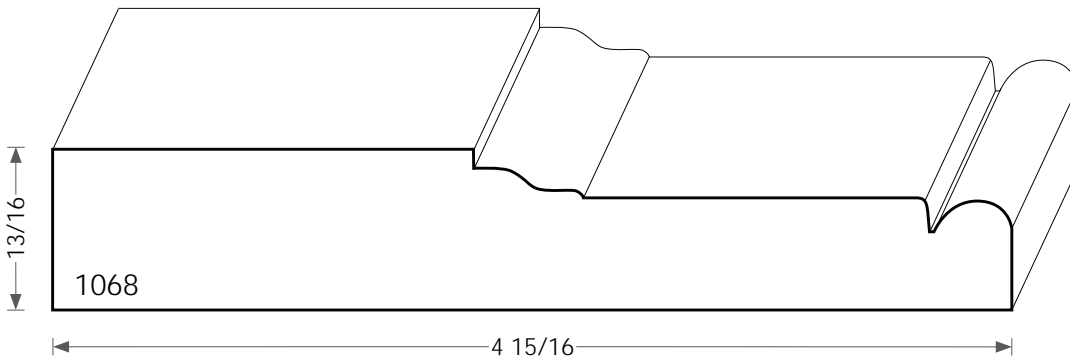
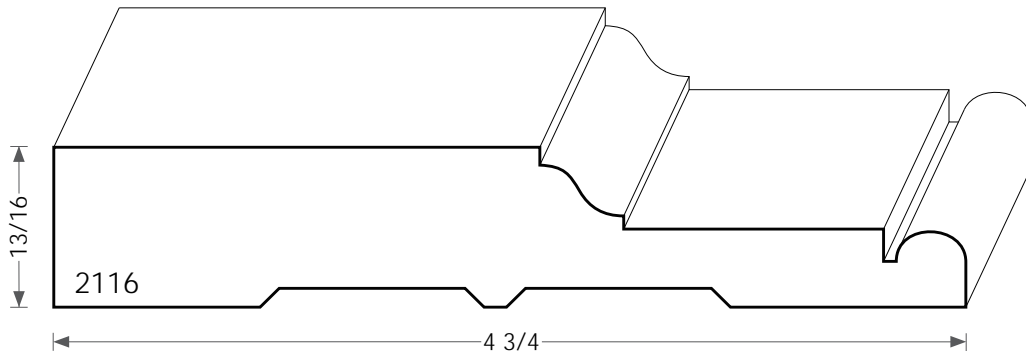
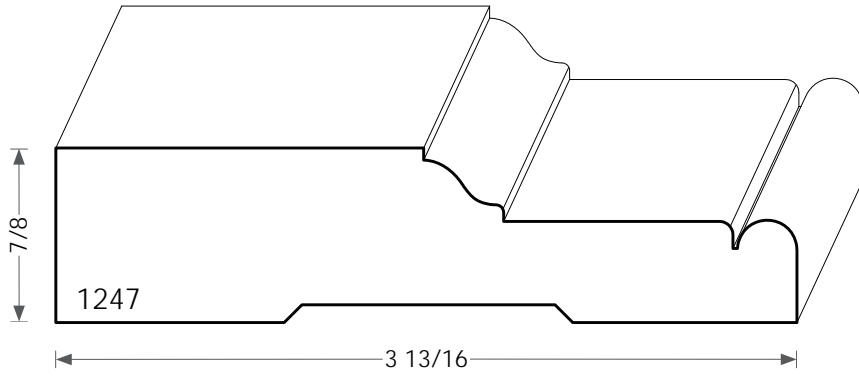
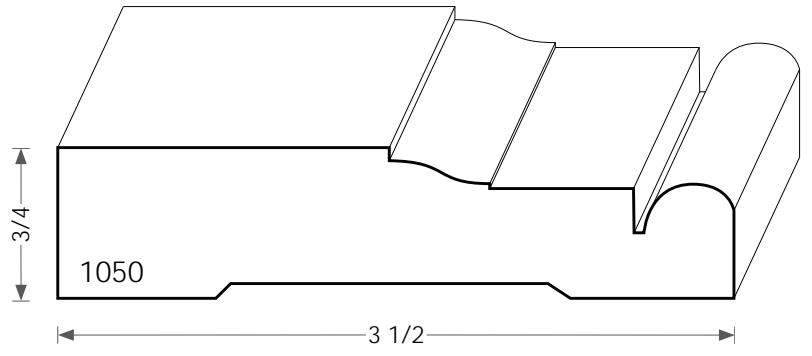
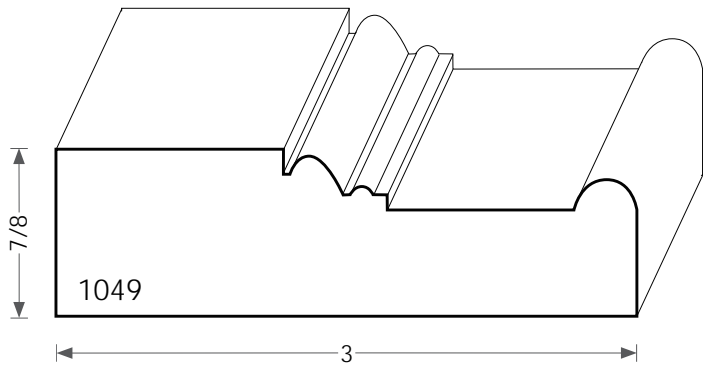




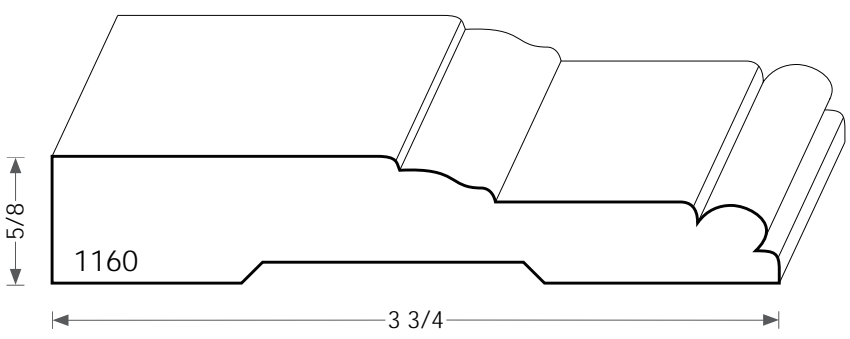
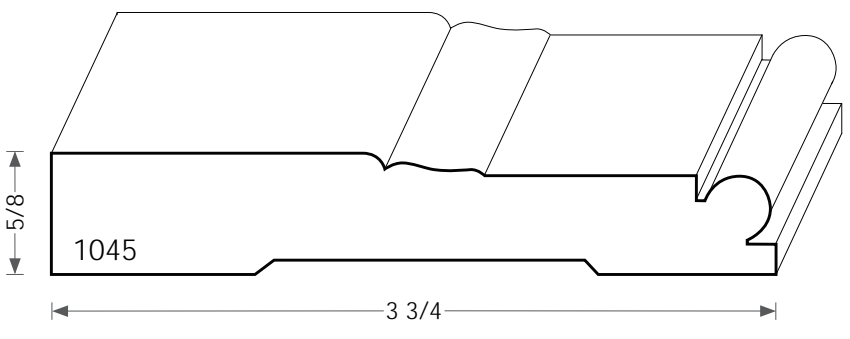
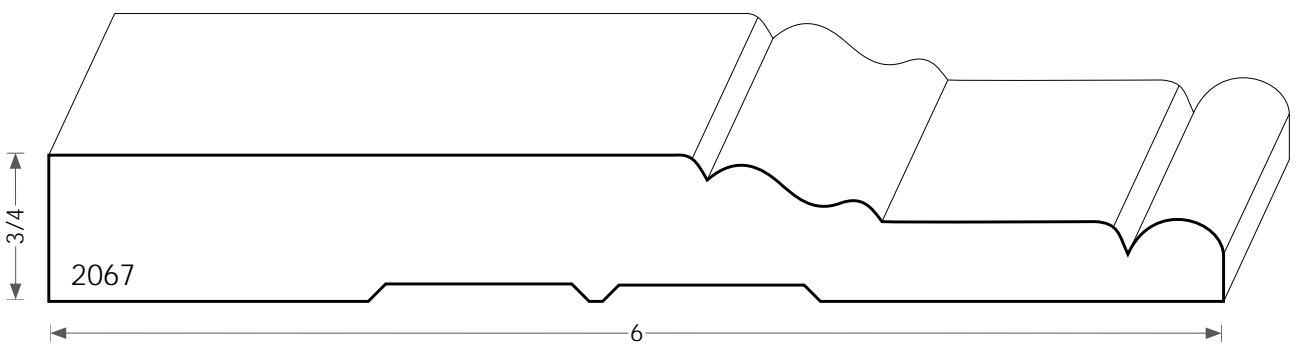
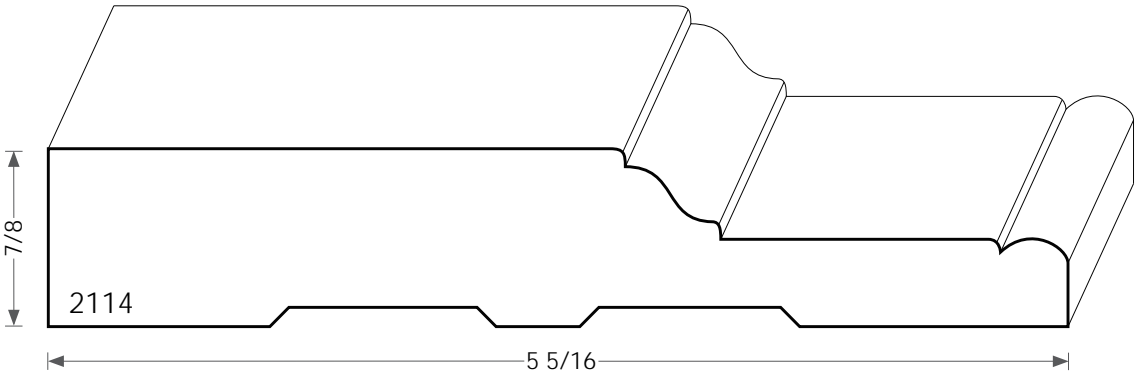
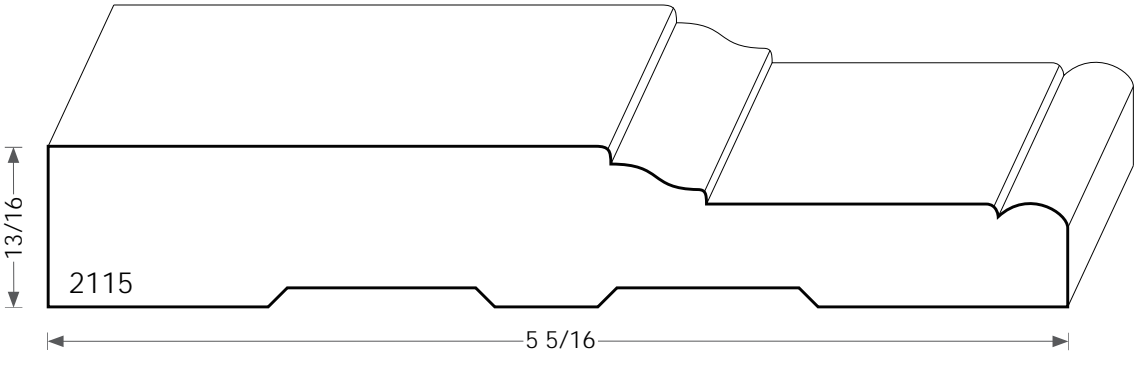


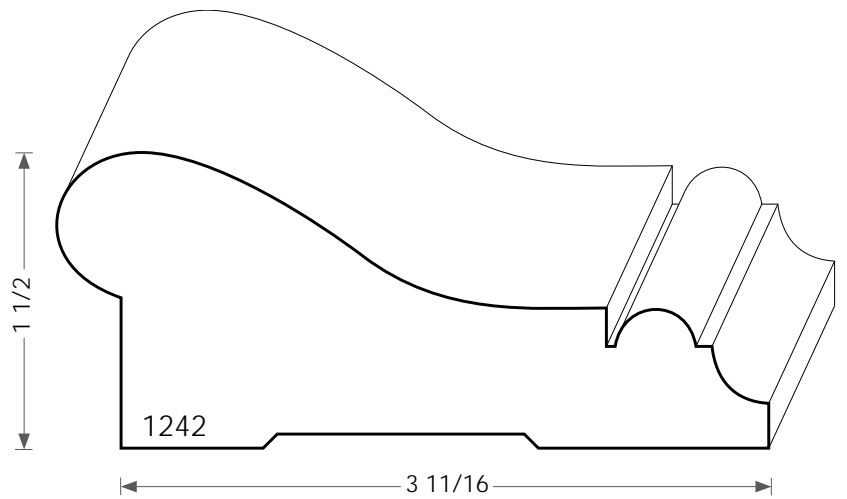
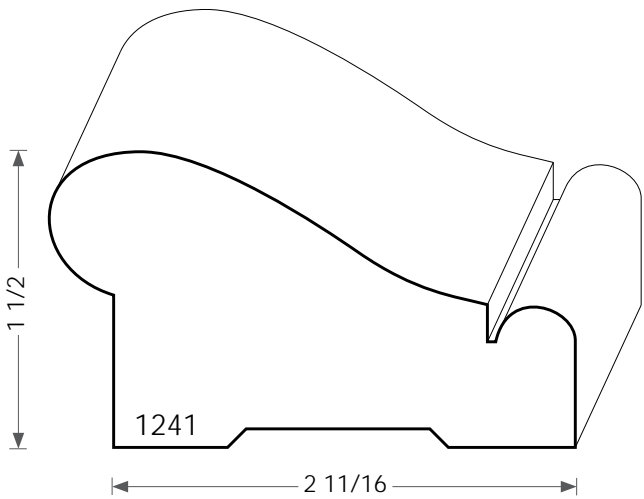
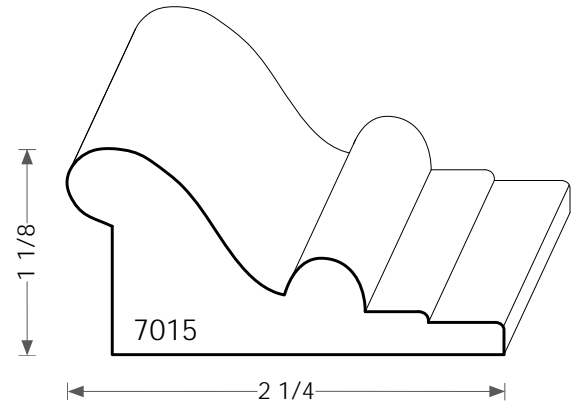
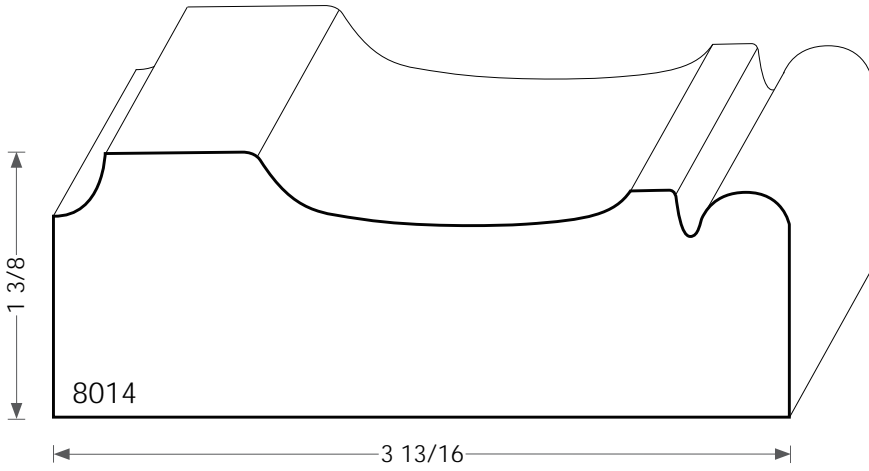
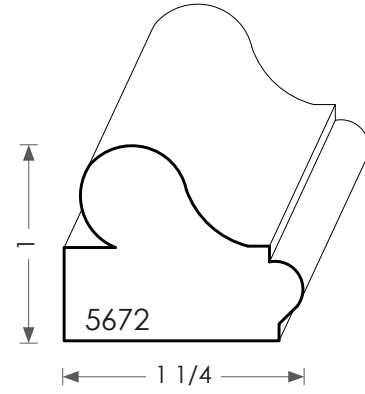
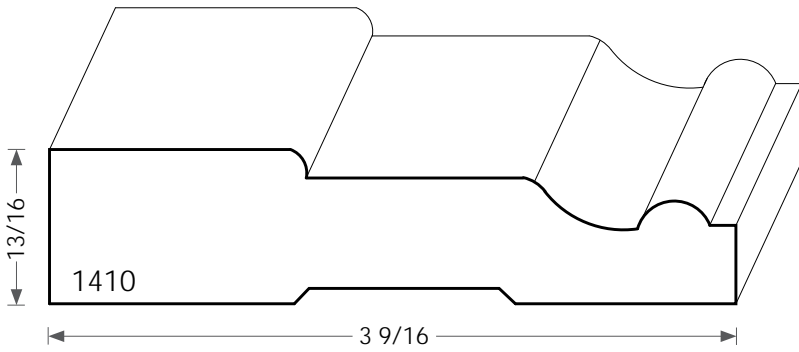
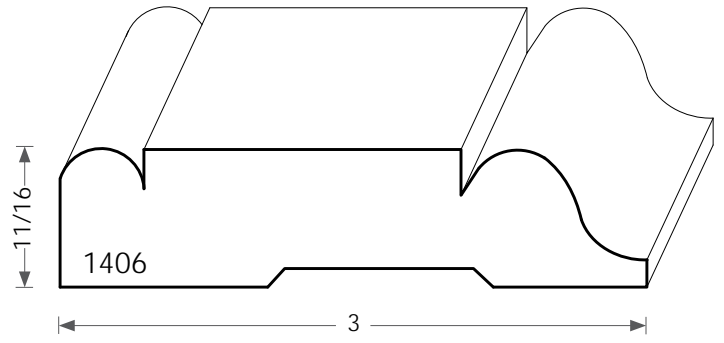
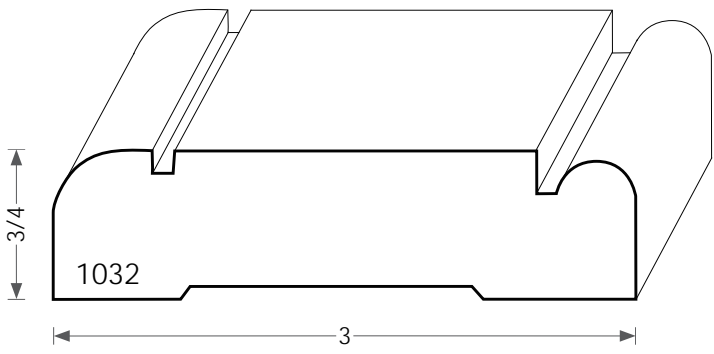
CASING  
BEADED



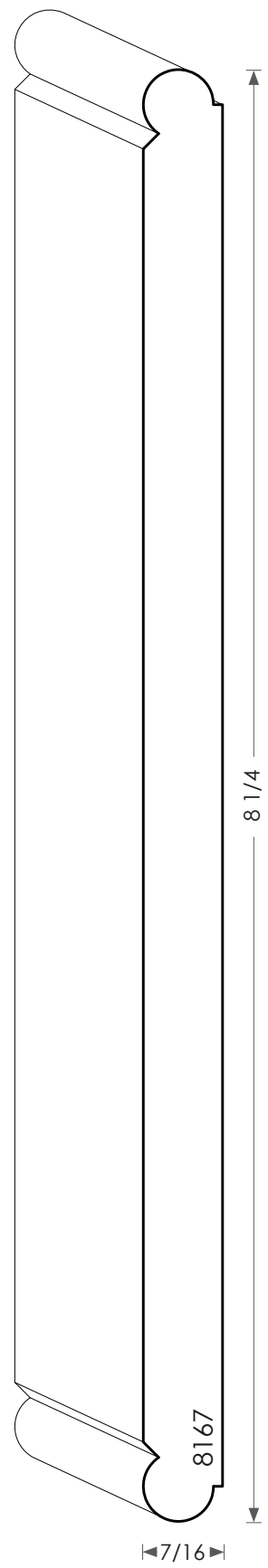
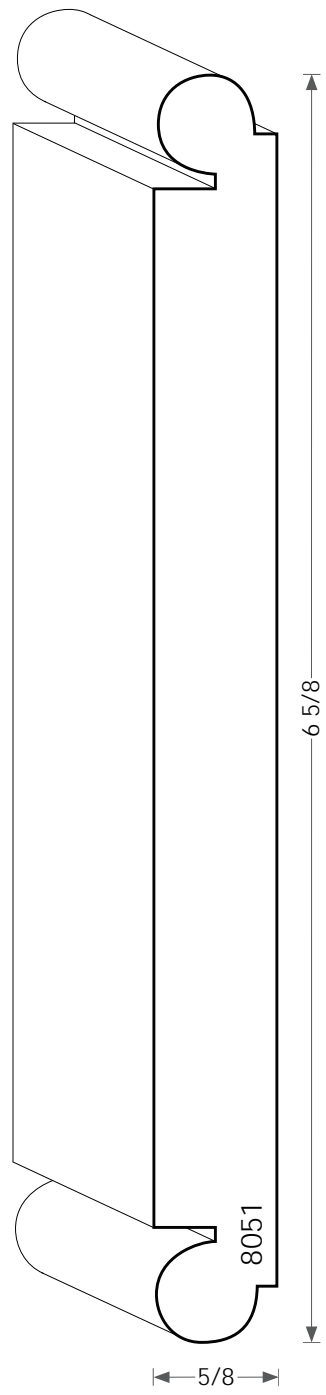
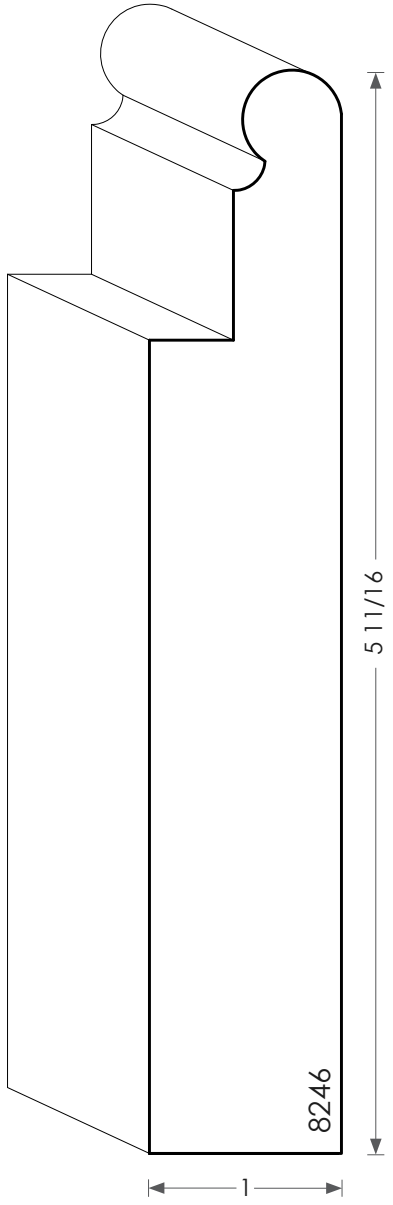


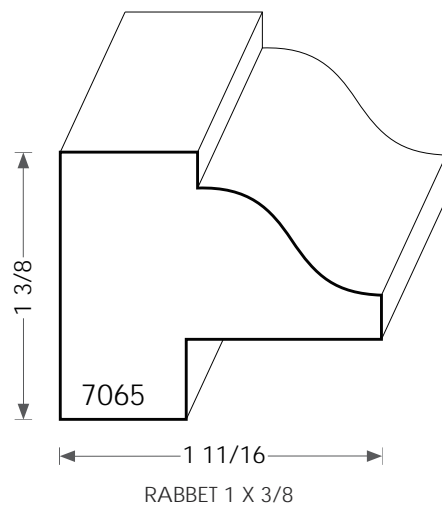
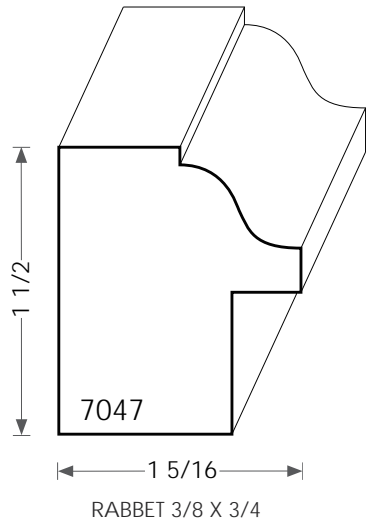
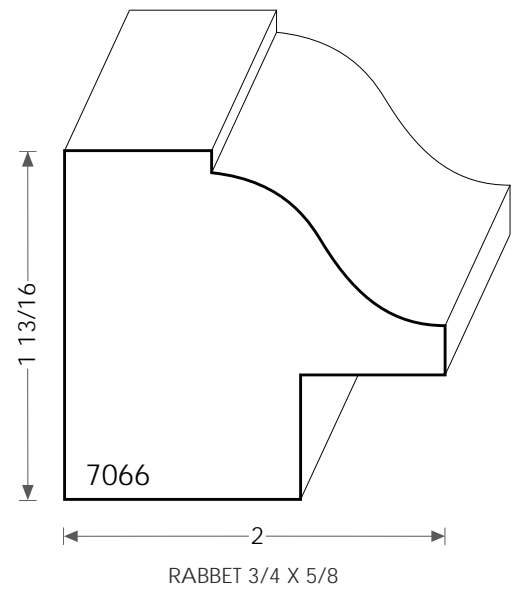
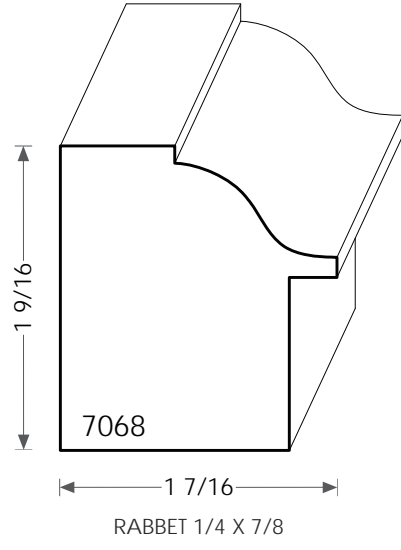
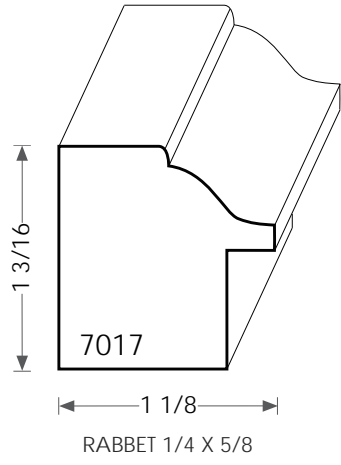
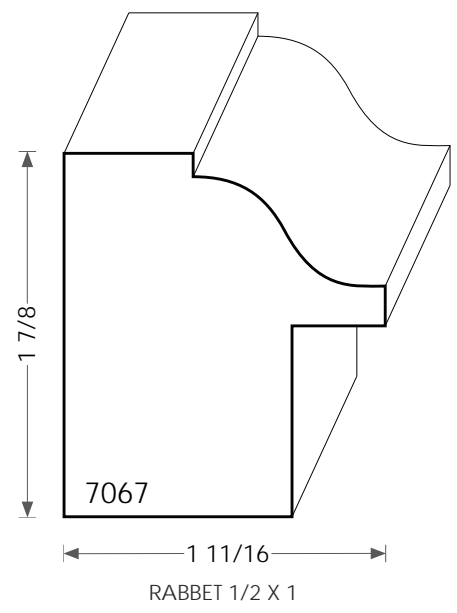
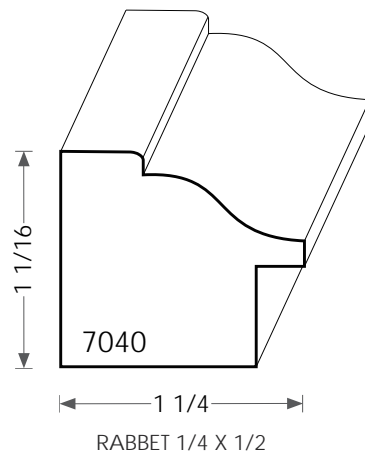
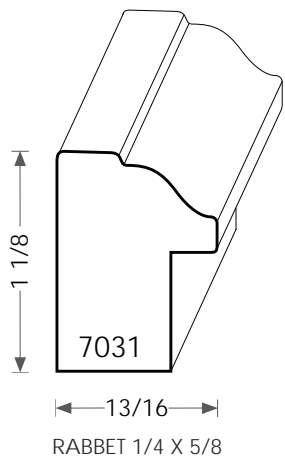
CASING  
BEADED



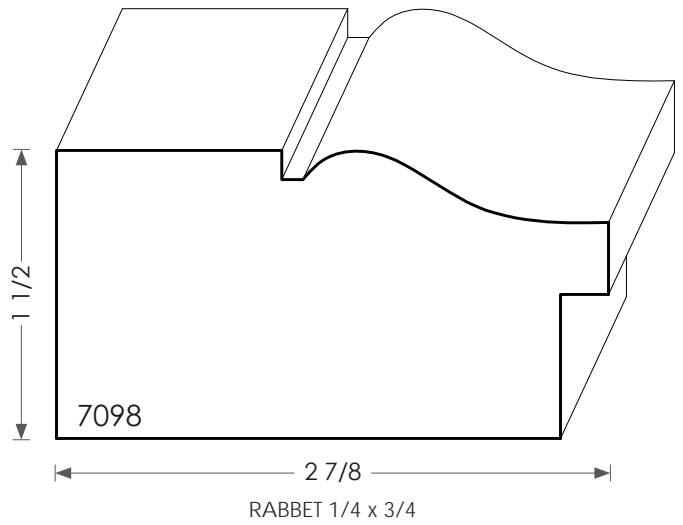
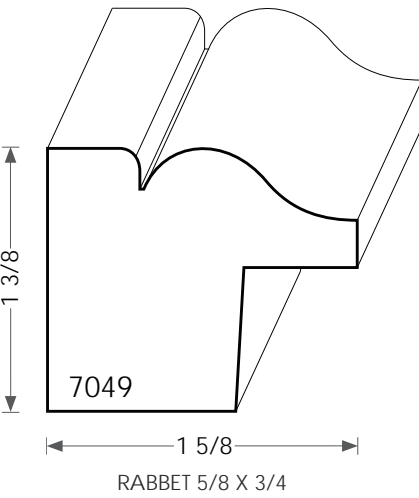
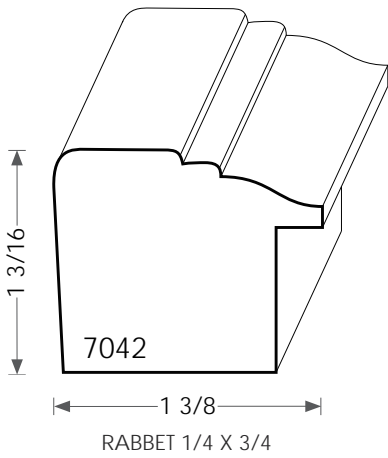
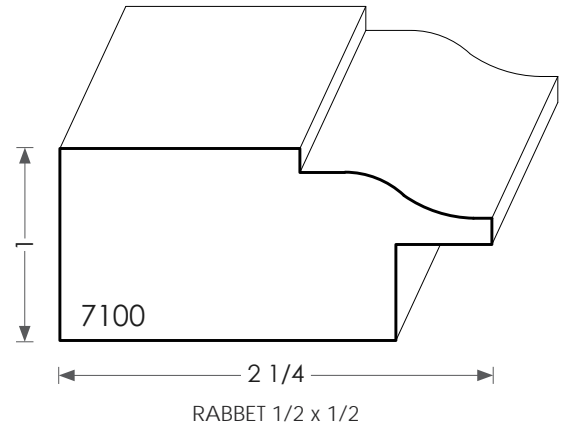
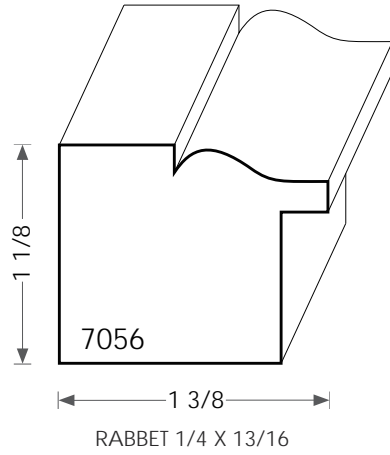
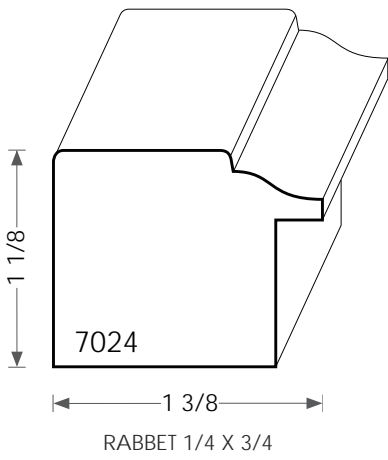
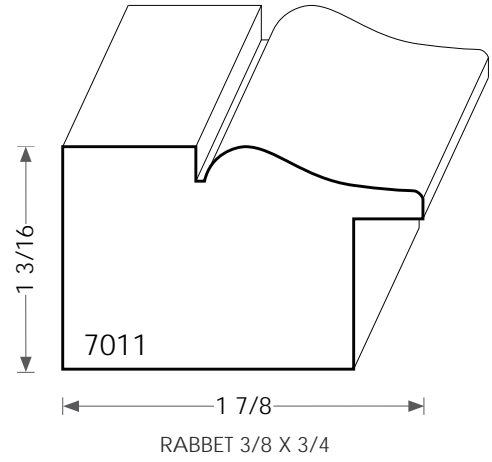
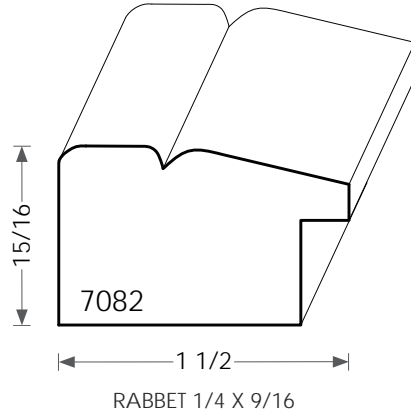
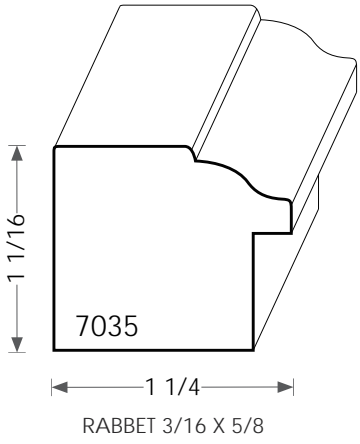
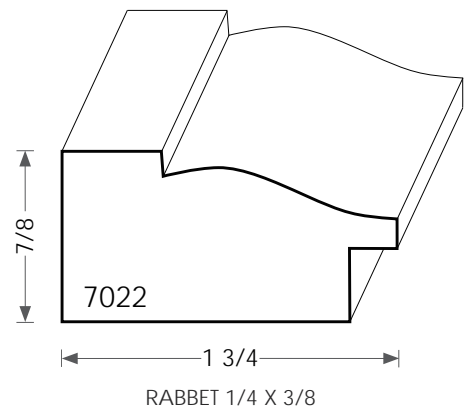
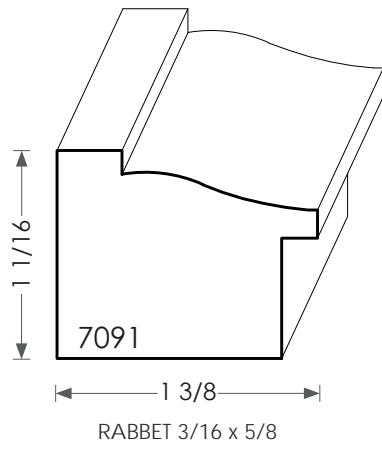
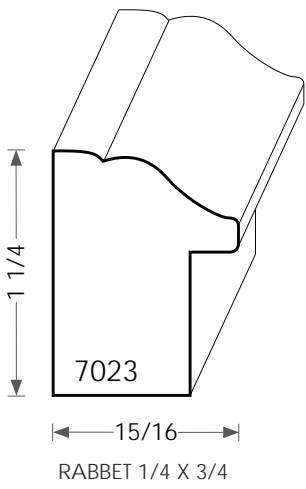


CASING  
BEADED

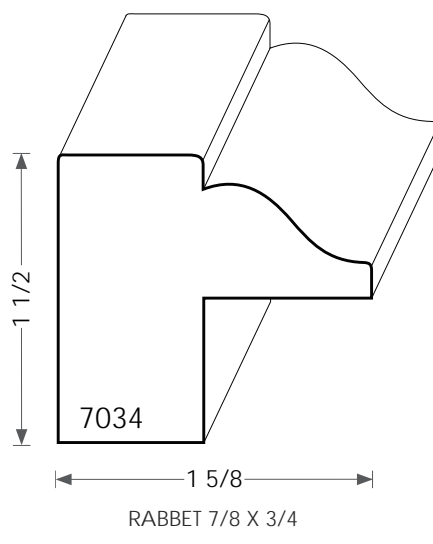
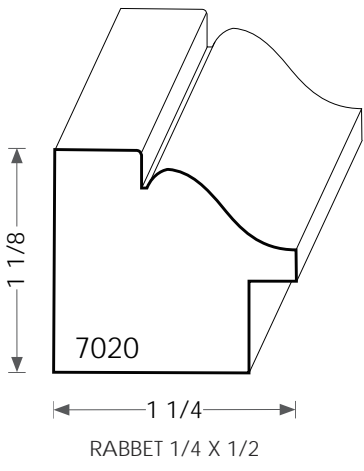
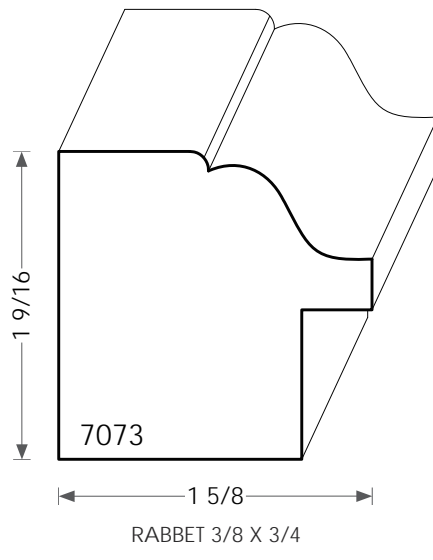
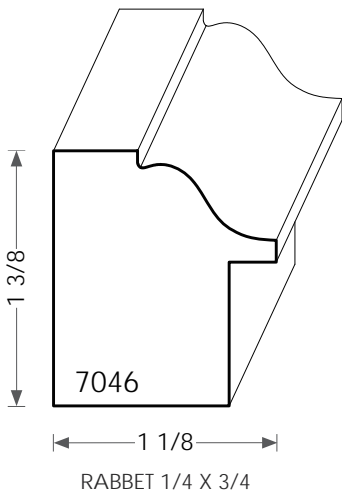
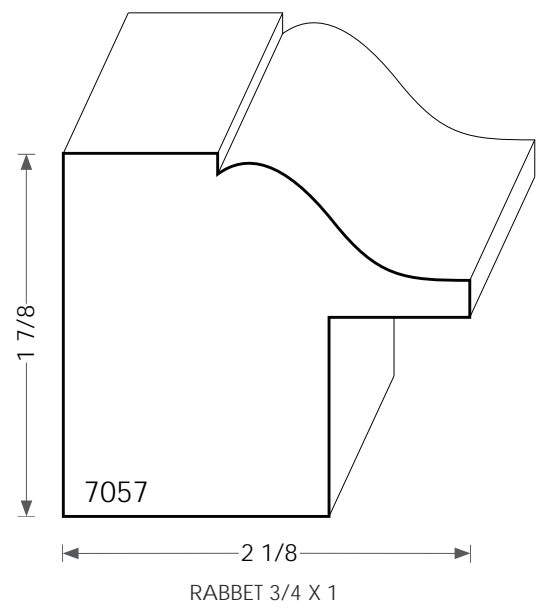
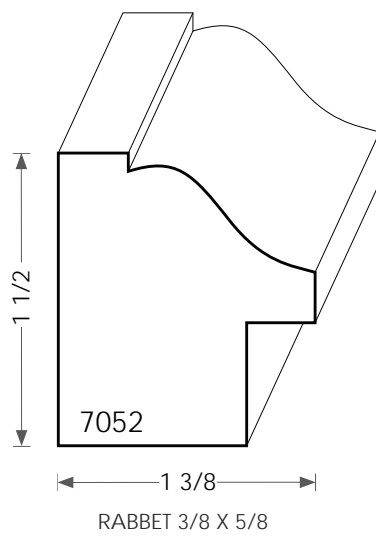
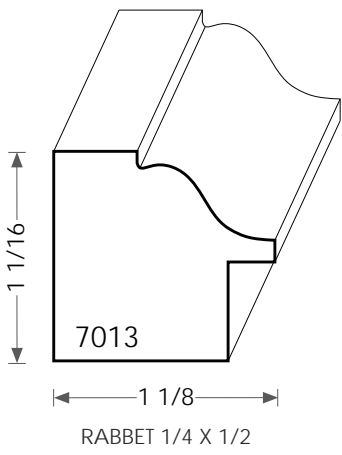




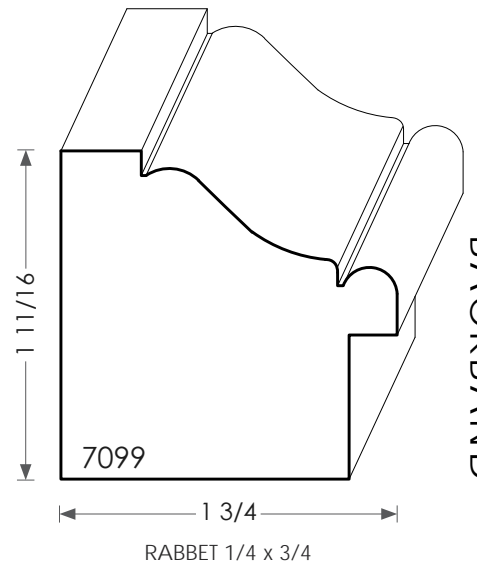
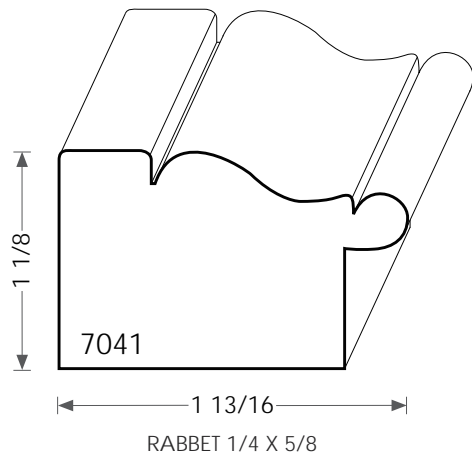
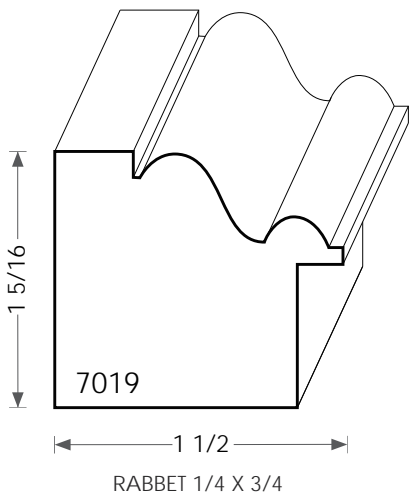
BACKBAND THICKNESS CAN BE MODIFIED TO MATCH CASING DIMENSIONS.



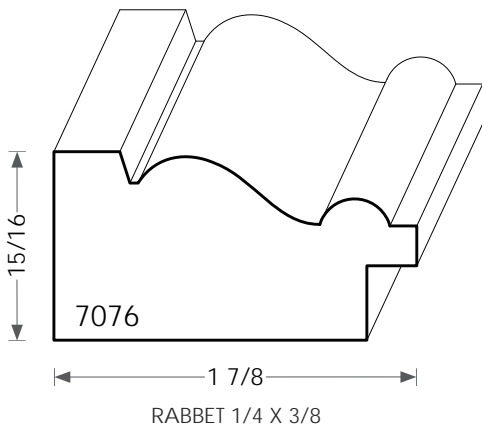
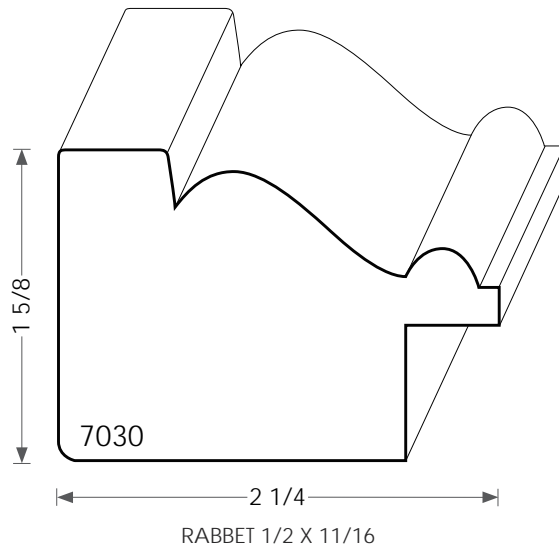
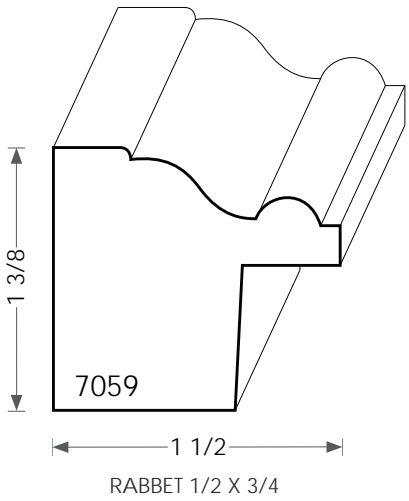
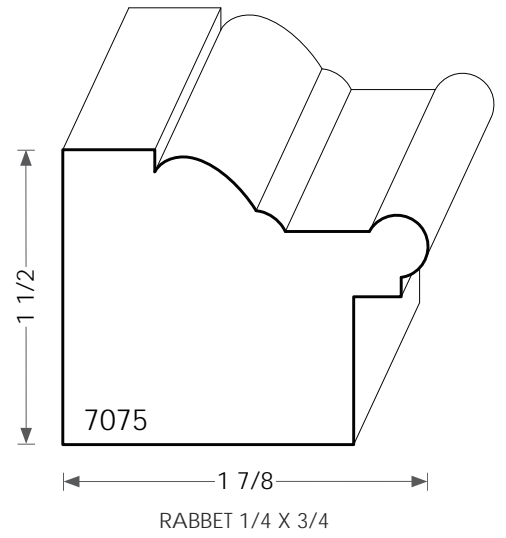
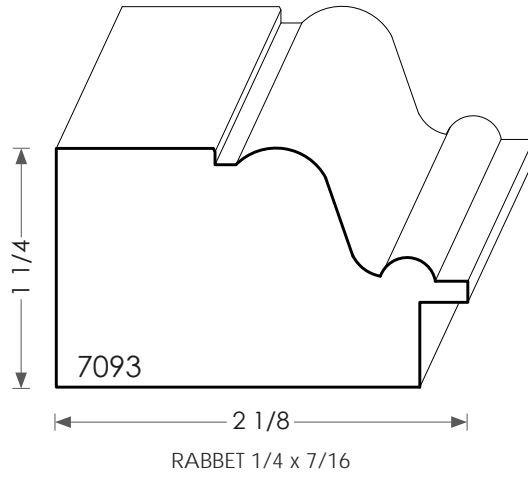
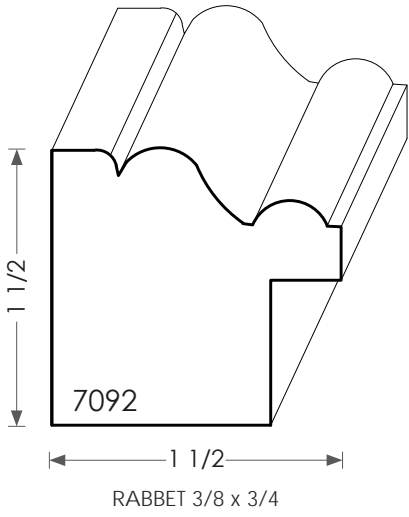


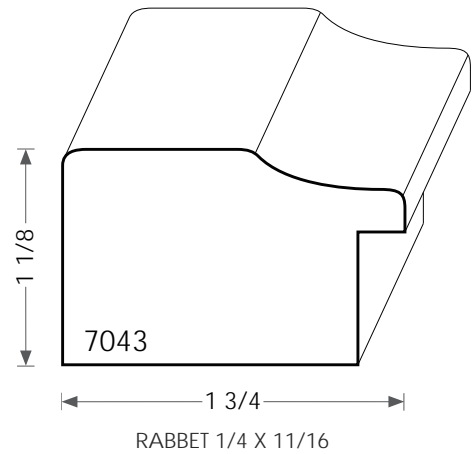
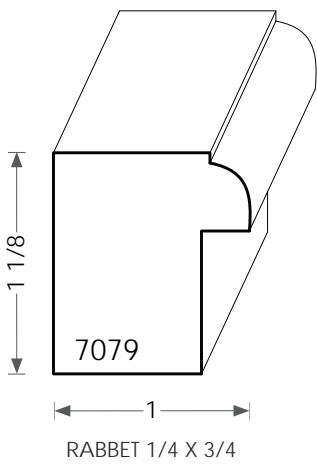
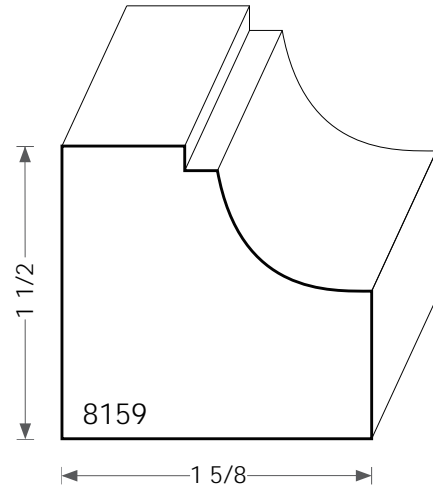
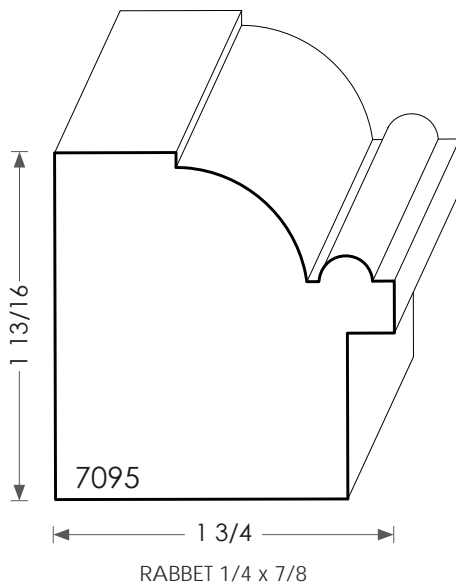
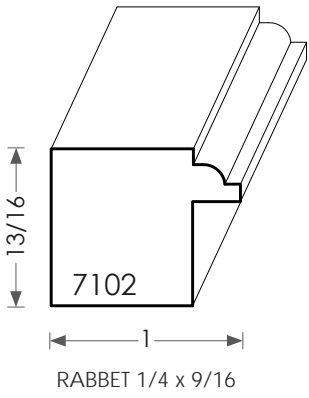
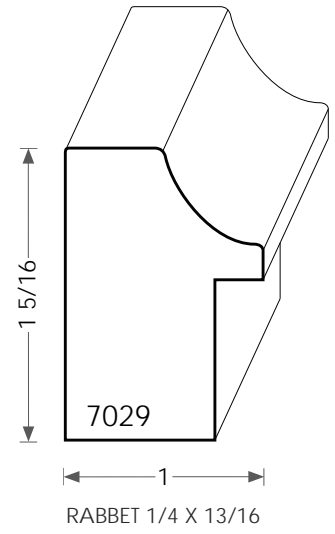
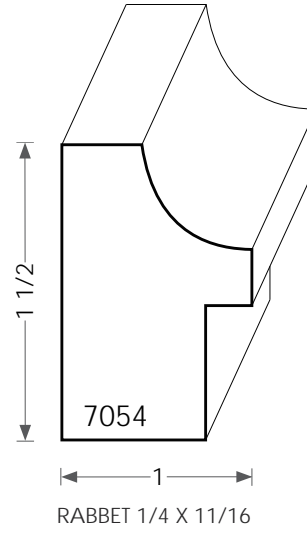
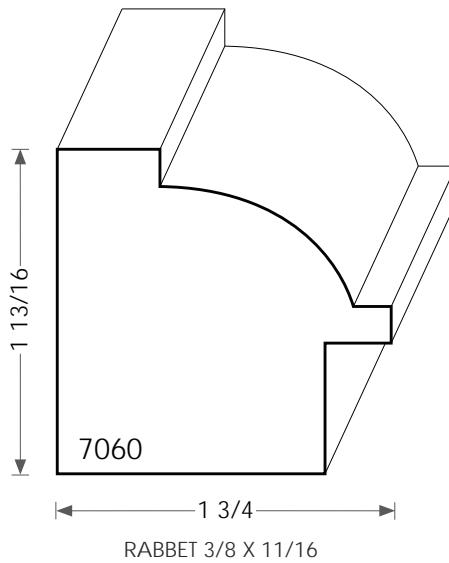
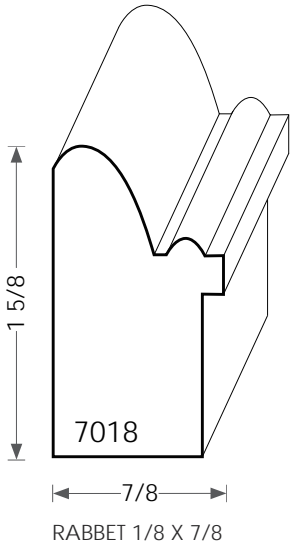
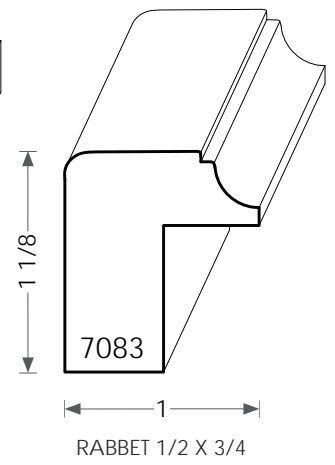
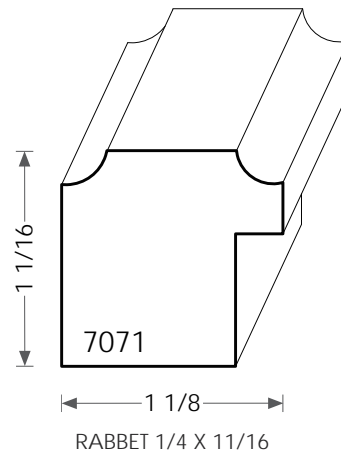
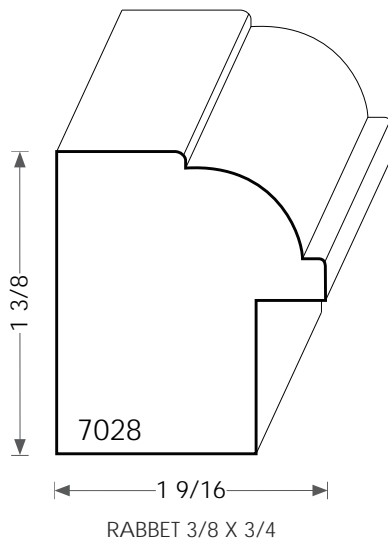
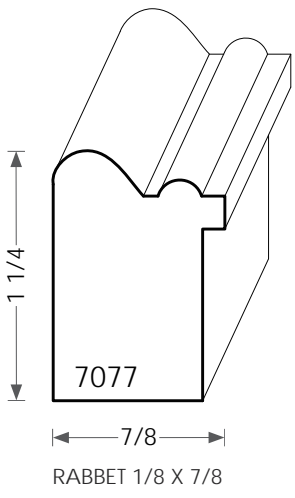


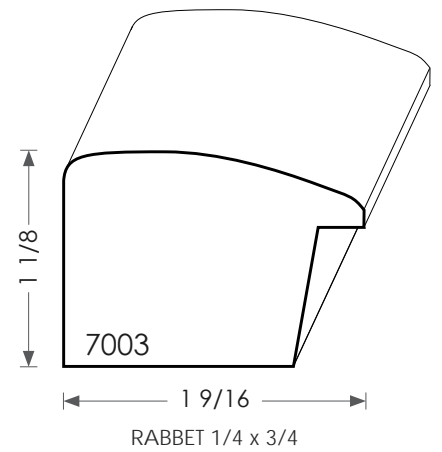
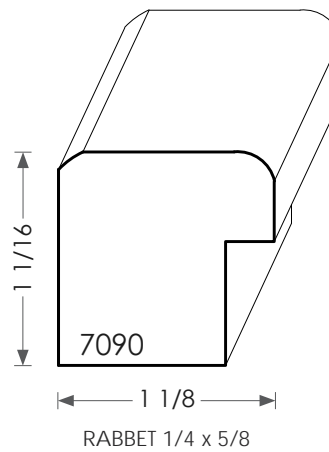
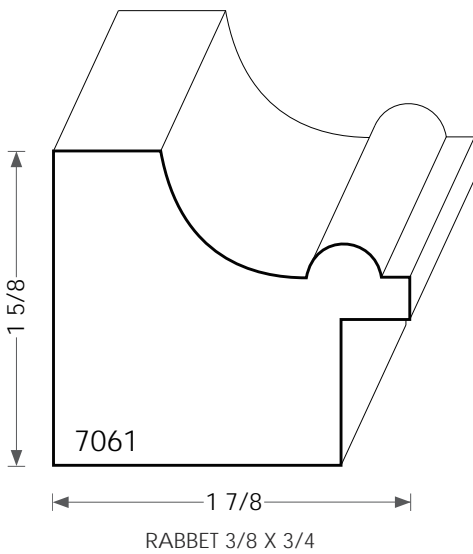
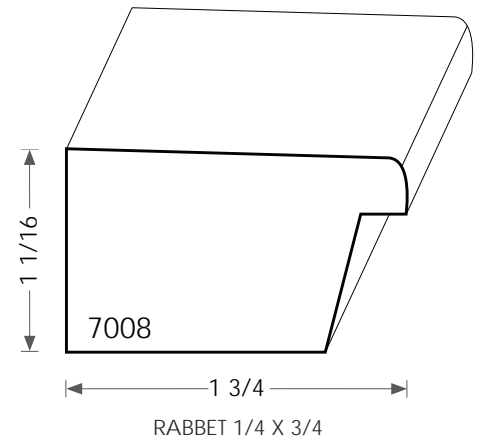
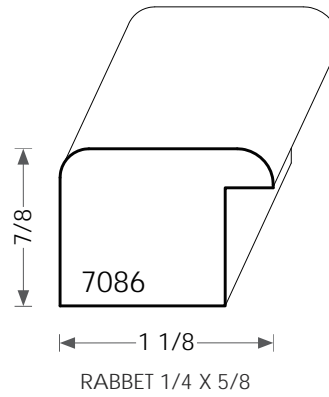
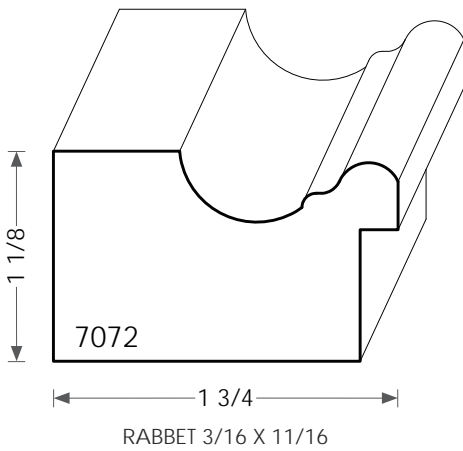
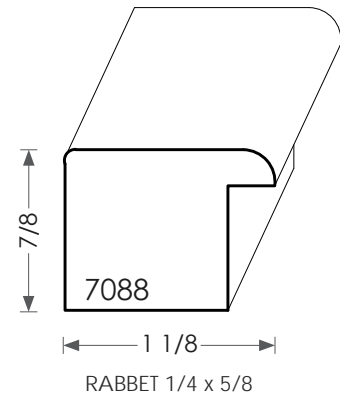
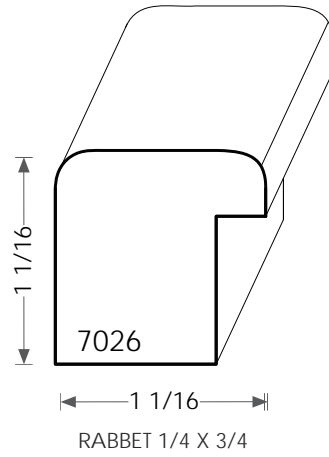
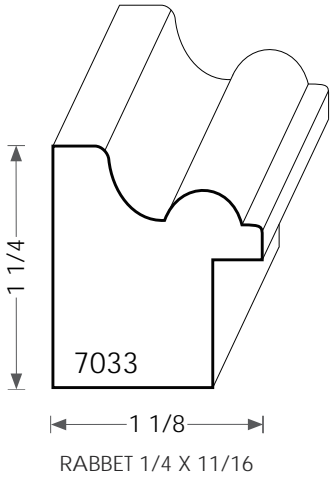
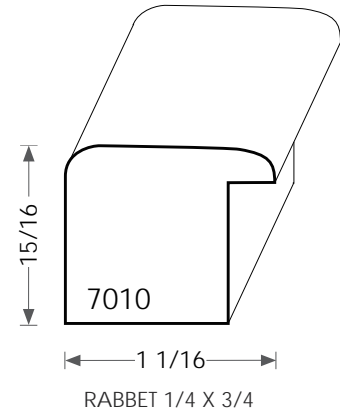
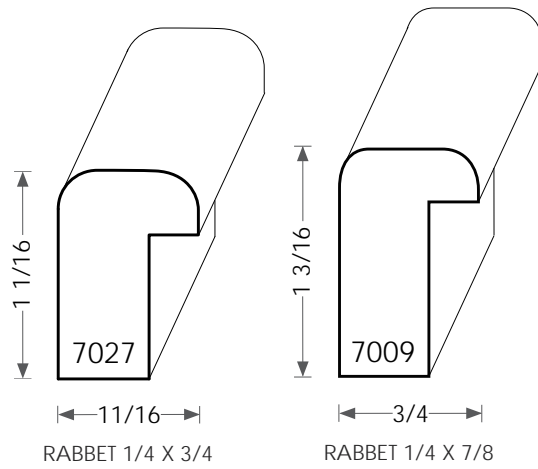
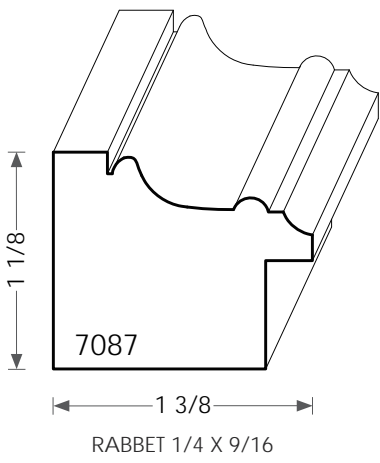
BACKBAND THICKNESS CAN BE MODIFIED TO MATCH CASING DIMENSIONS.



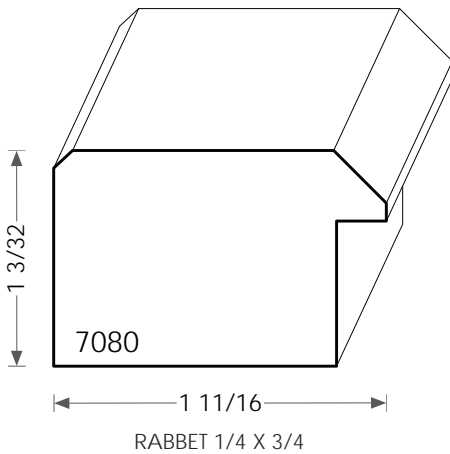
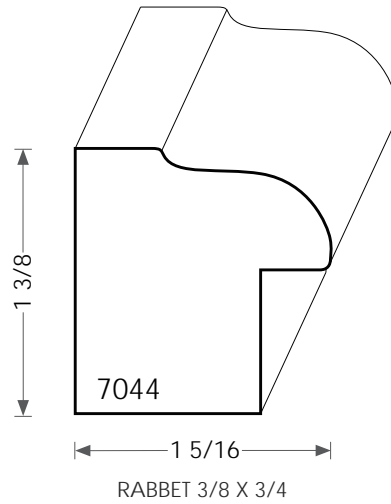
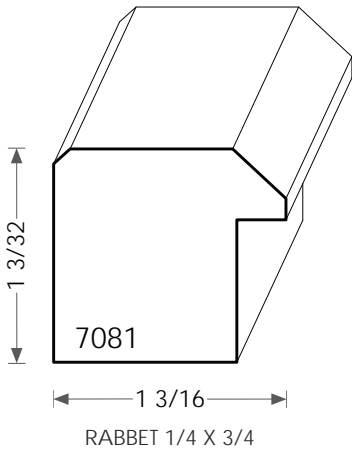
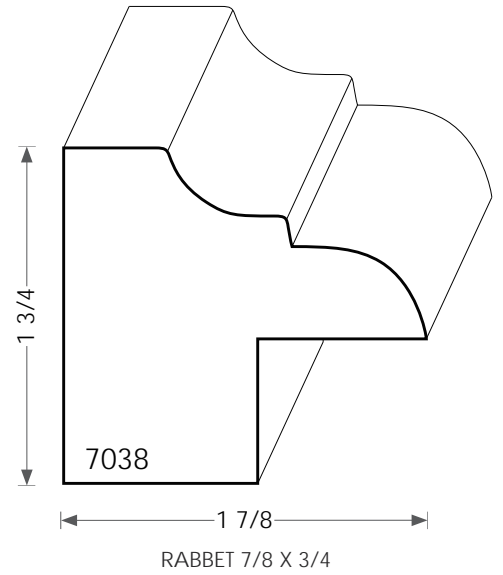
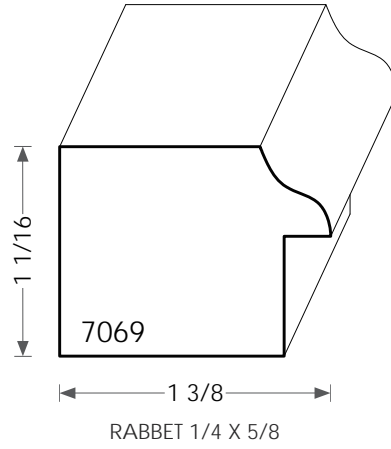
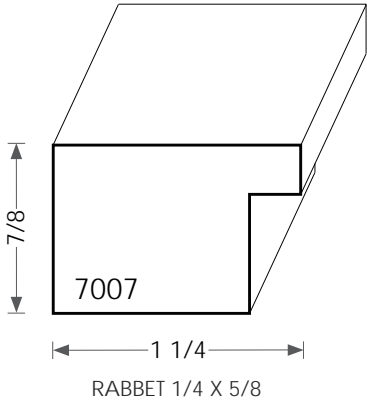
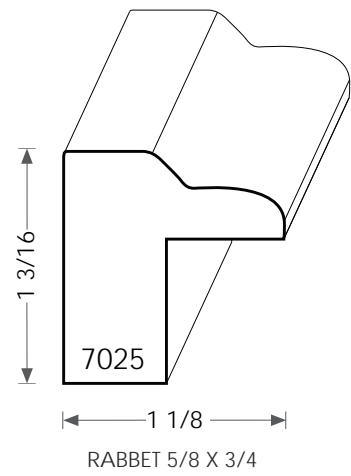
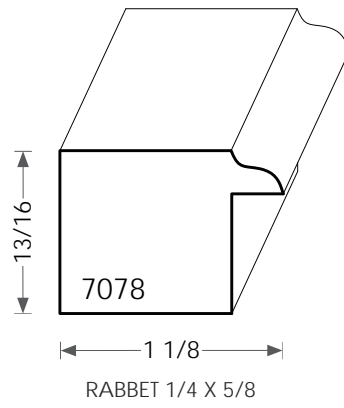
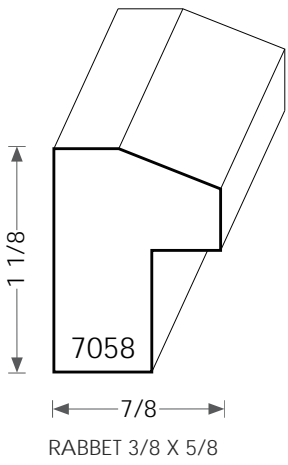
BACKBAND



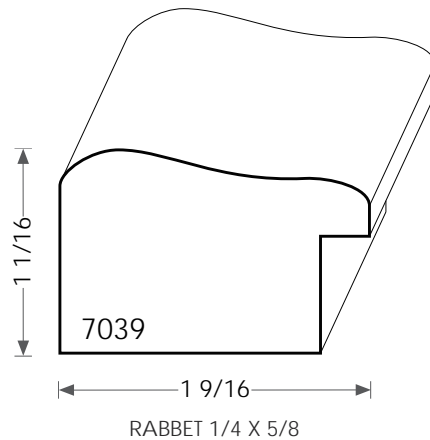
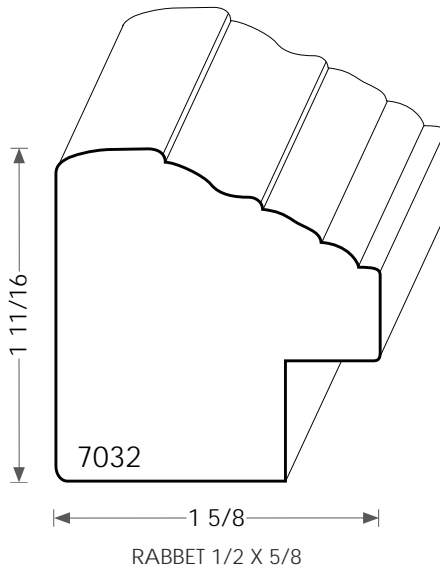
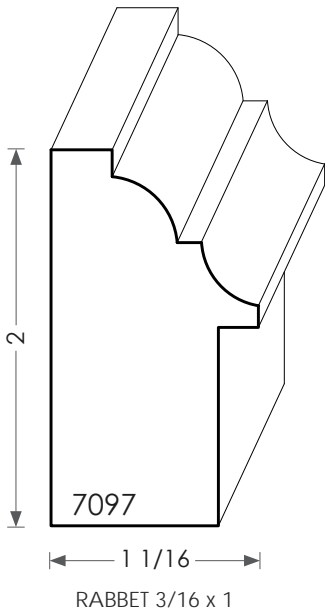
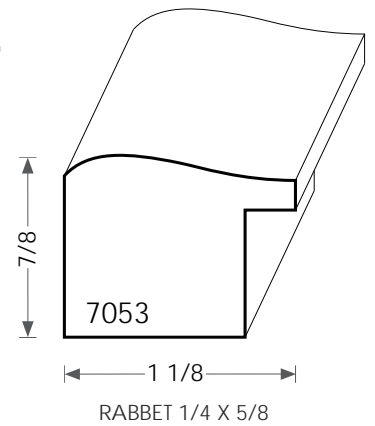
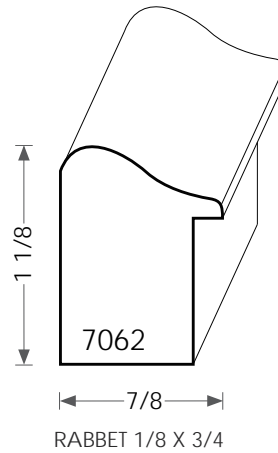
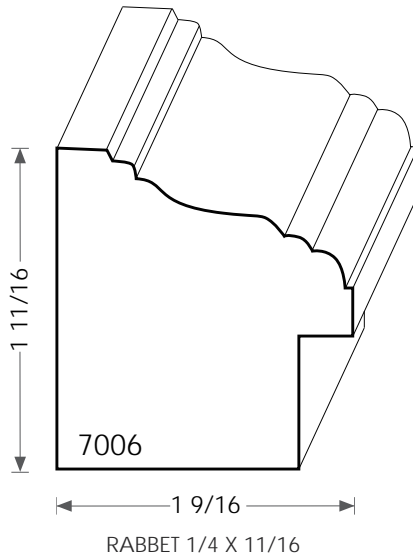
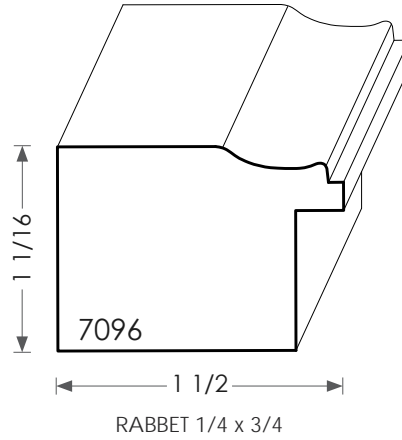
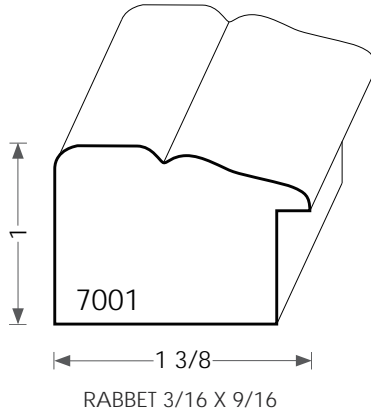
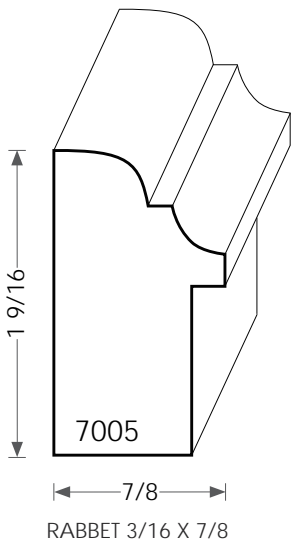
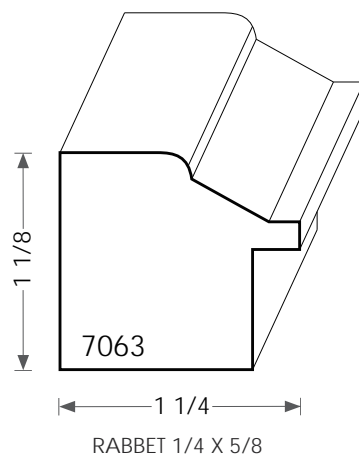
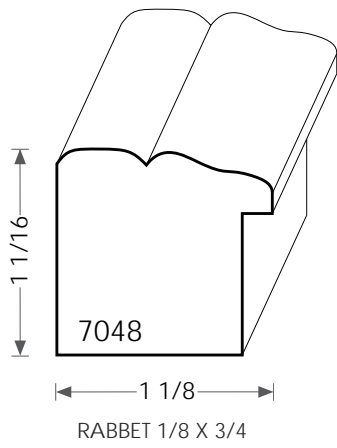
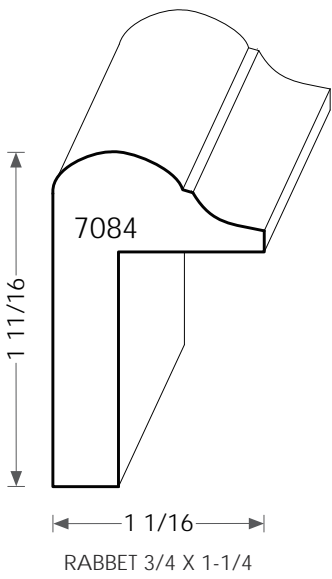


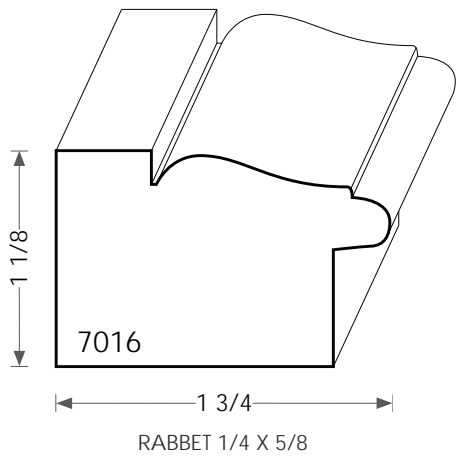
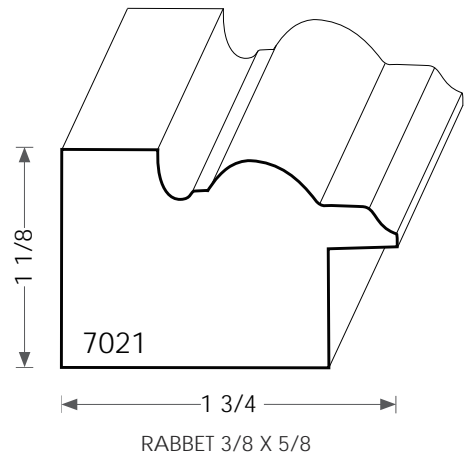
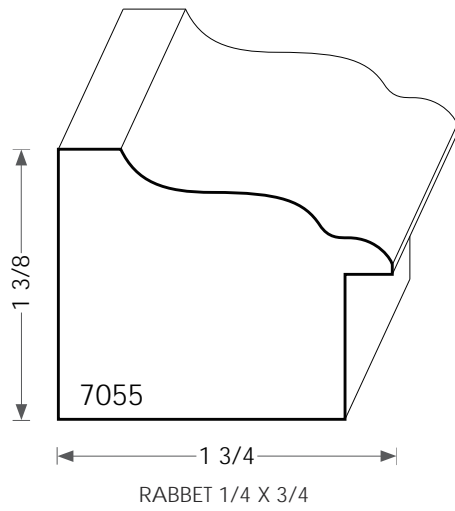
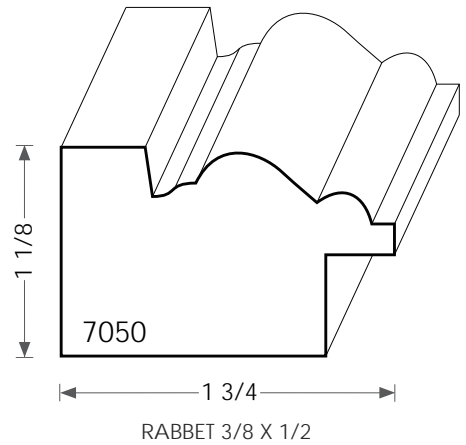
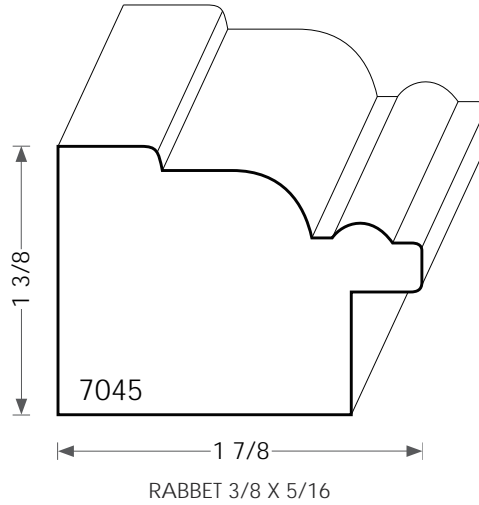
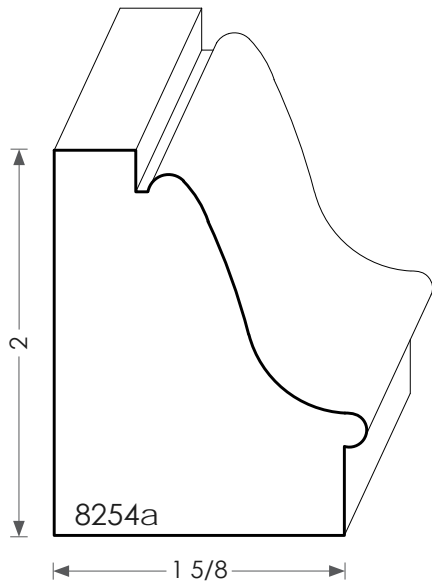
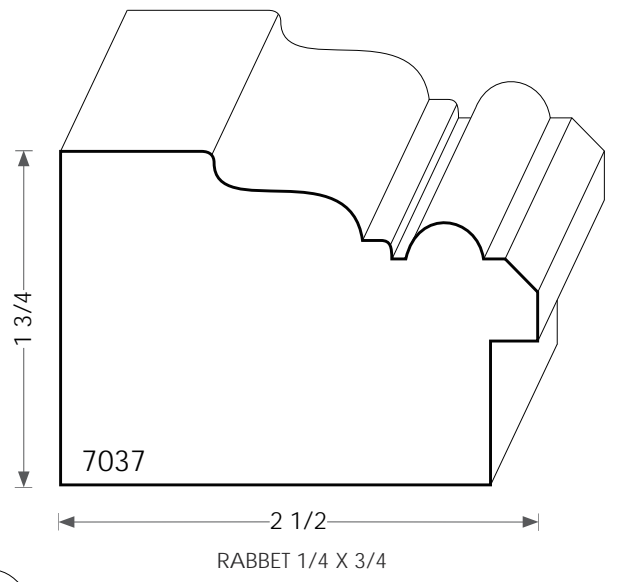
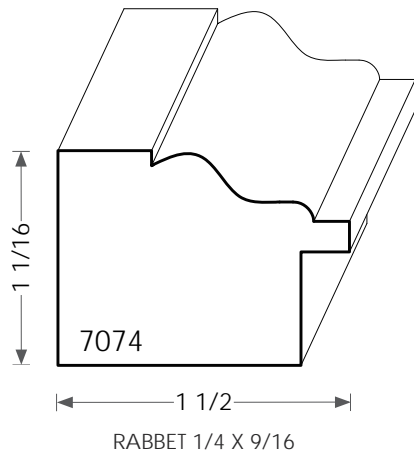
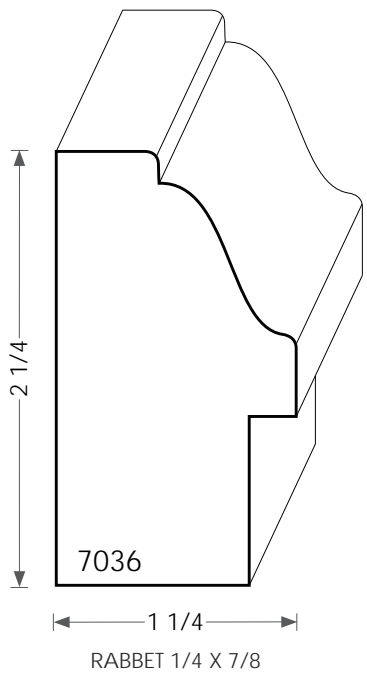


BACKBAND THICKNESS CAN BE MODIFIED TO MATCH CASING DIMENSIONS.



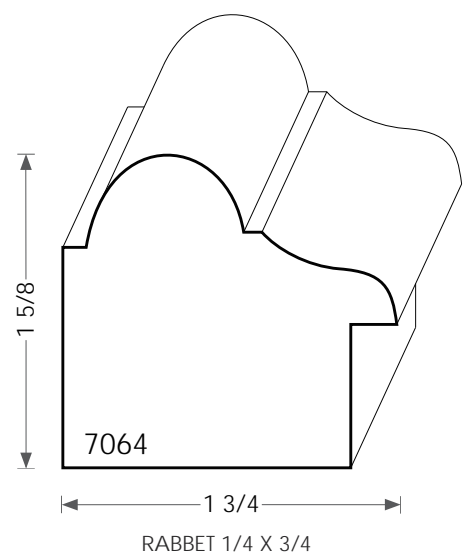
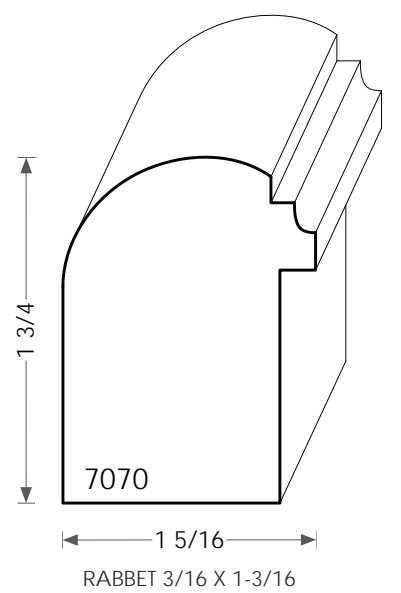
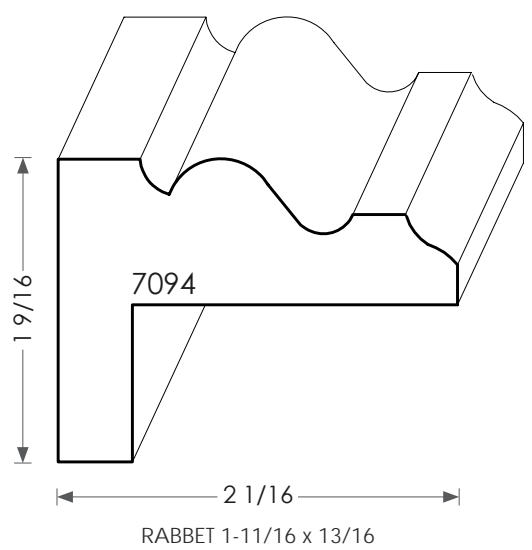
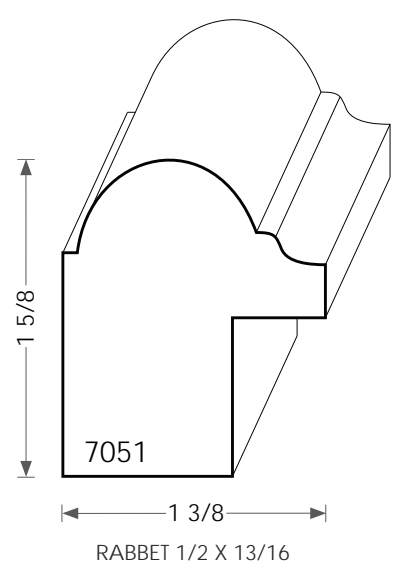
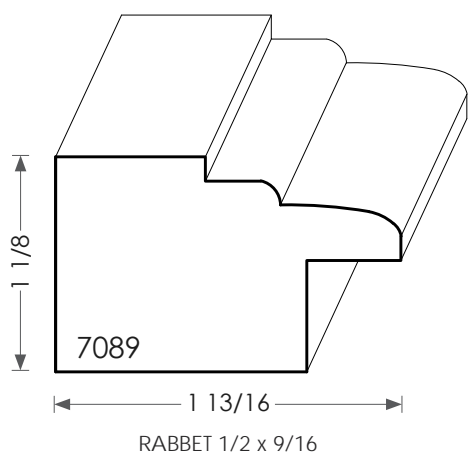
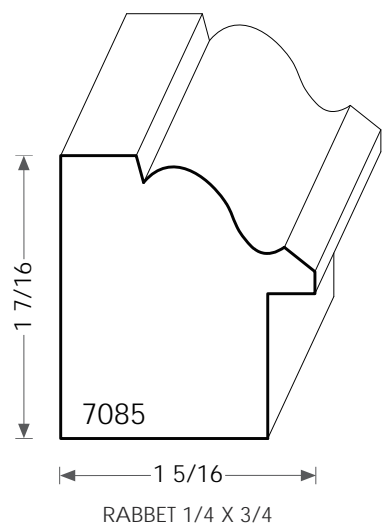
BACKBAND THICKNESS CAN BE MODIFIED TO MATCH CASING DIMENSIONS.



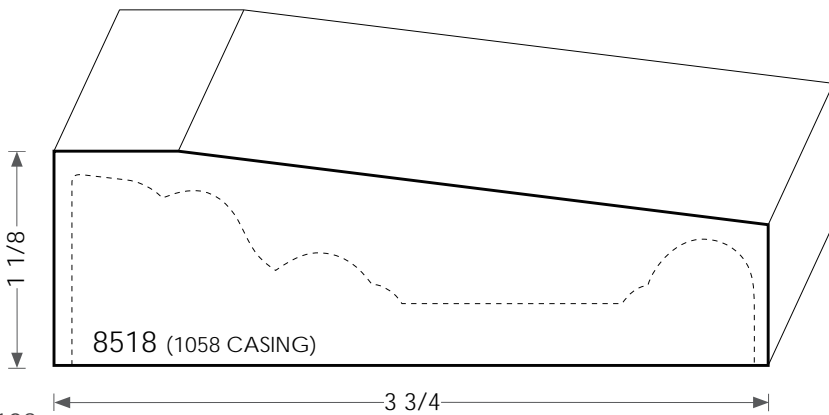
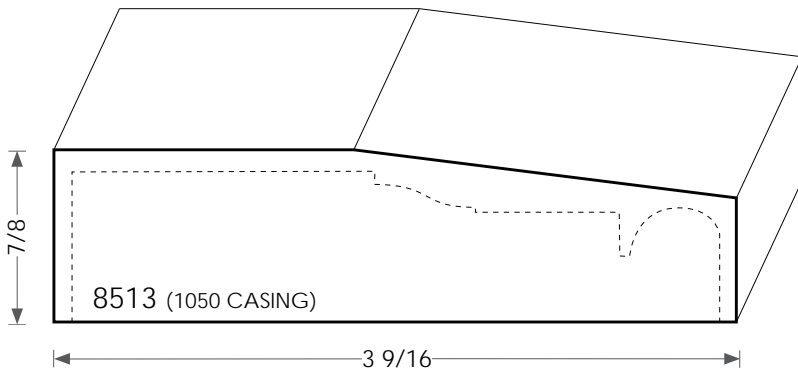
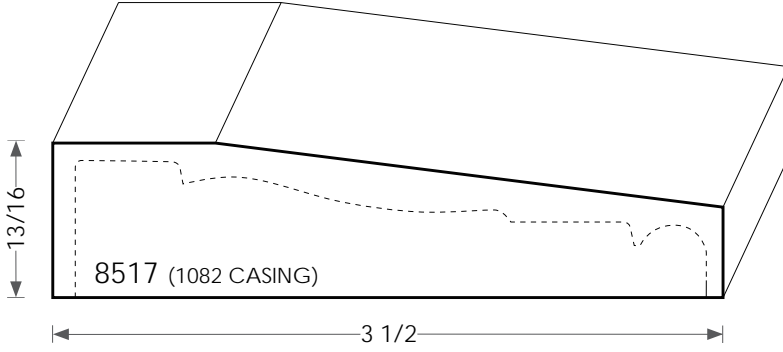
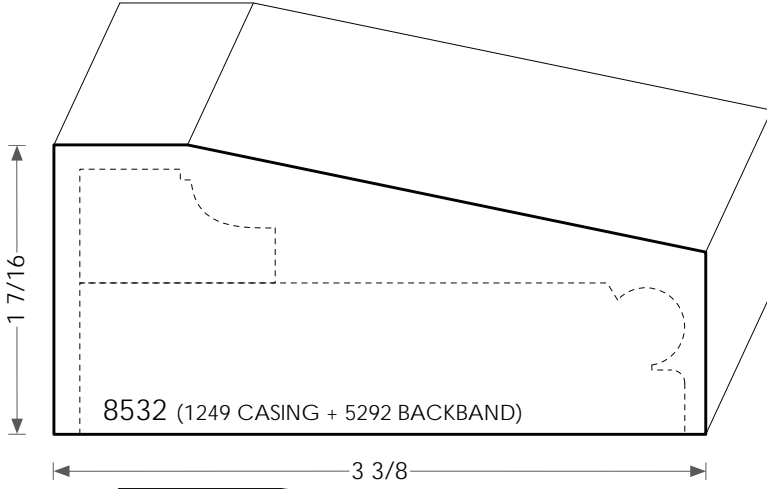
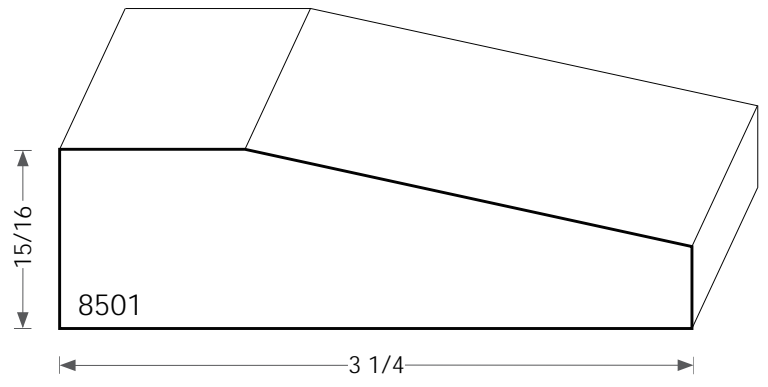
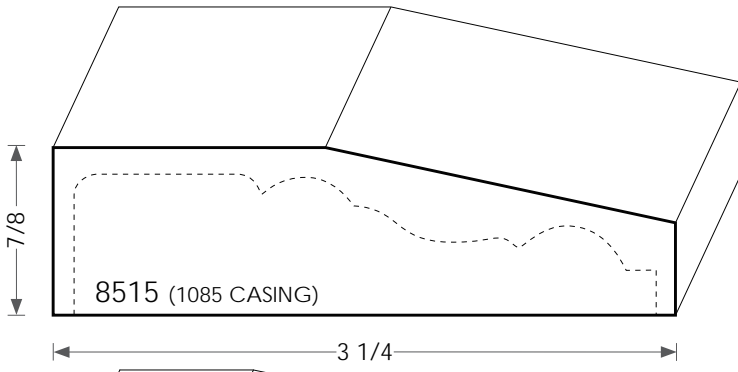


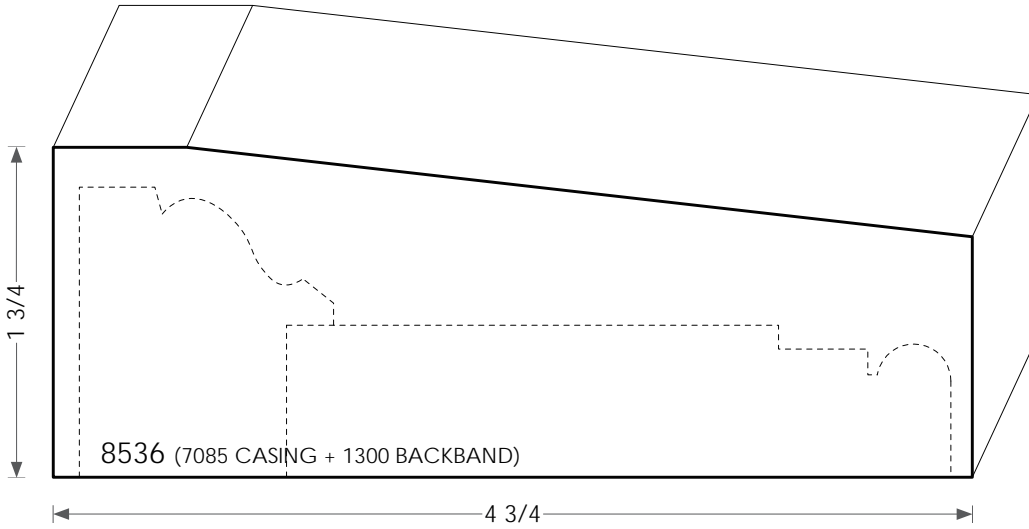
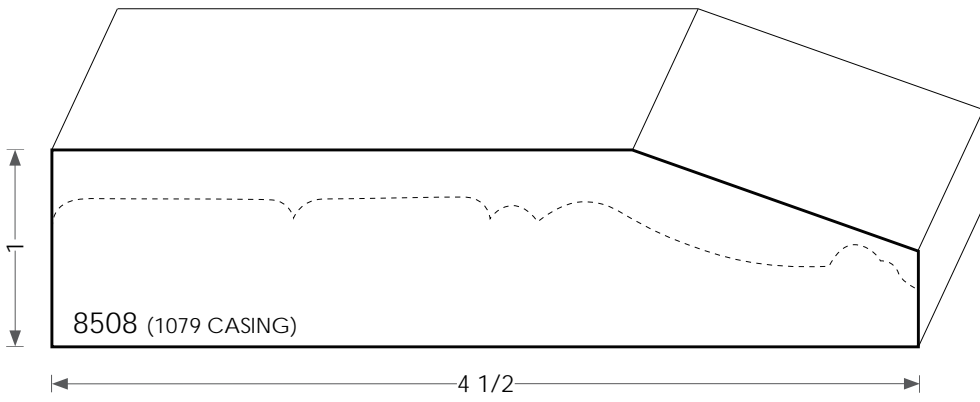
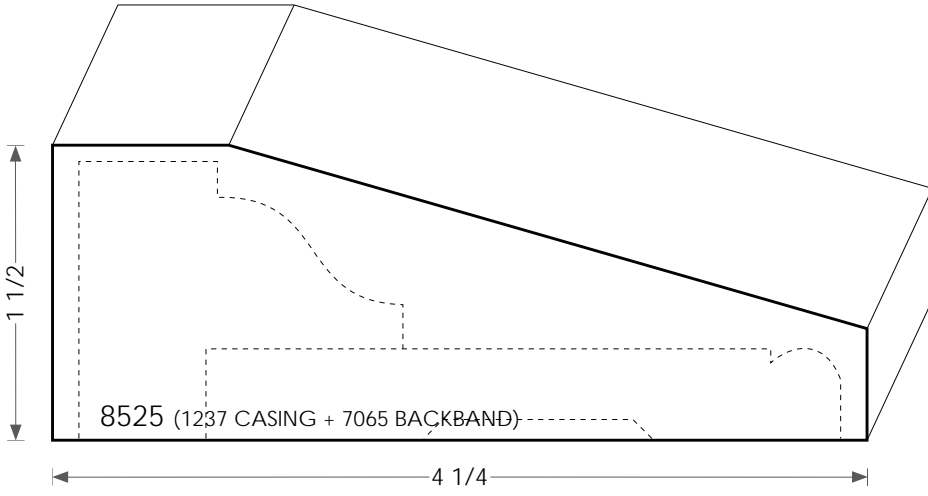
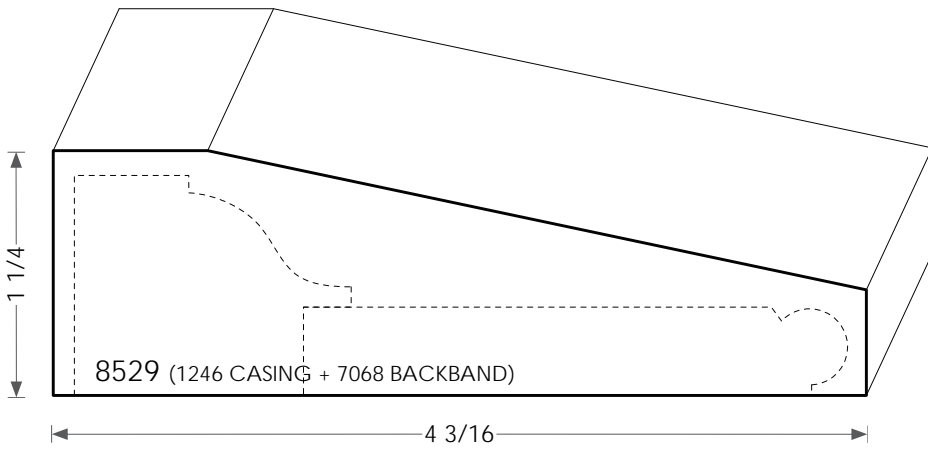
BACKBAND THICKNESS CAN BE MODIFIED TO MATCH CASING DIMENSIONS.

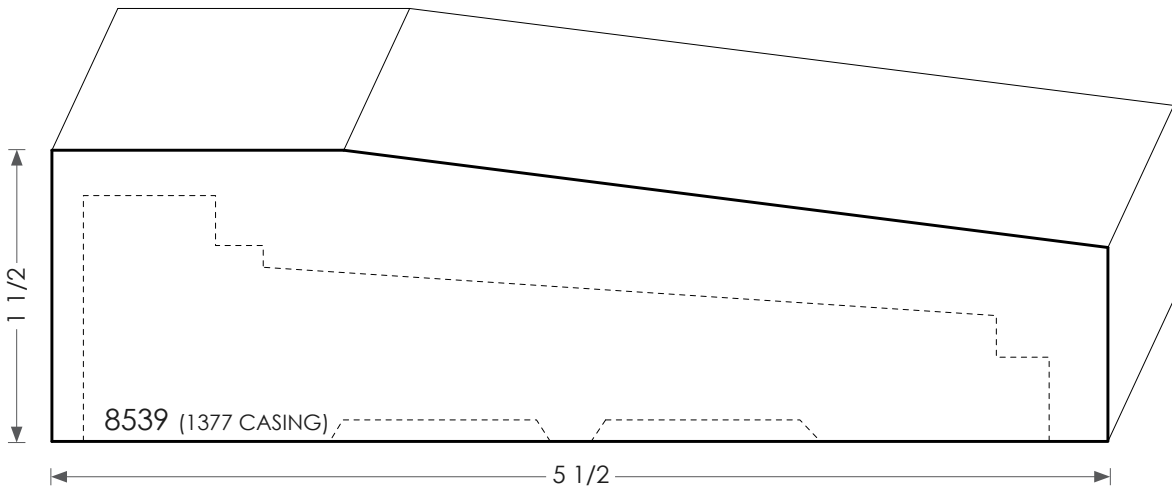
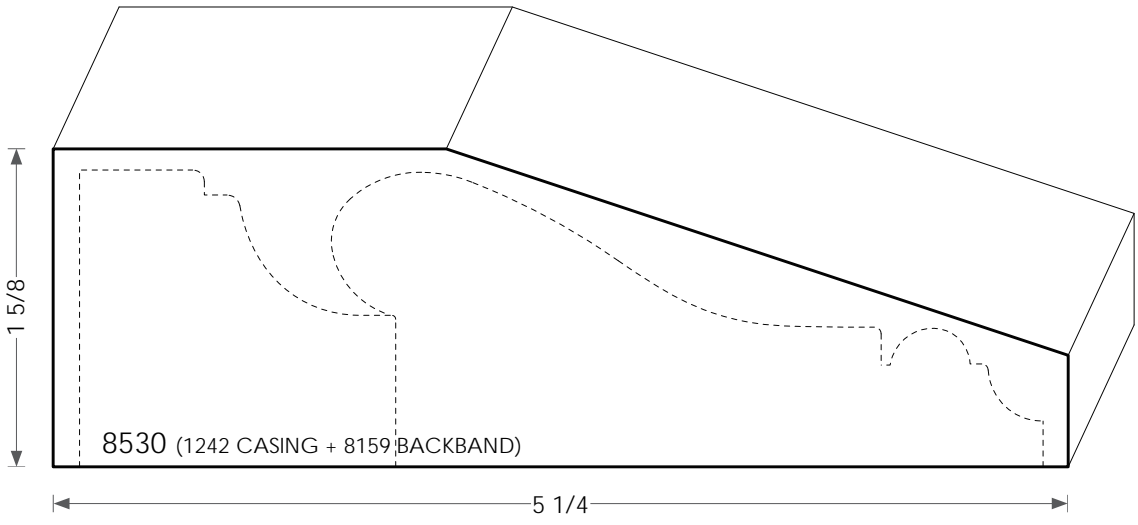
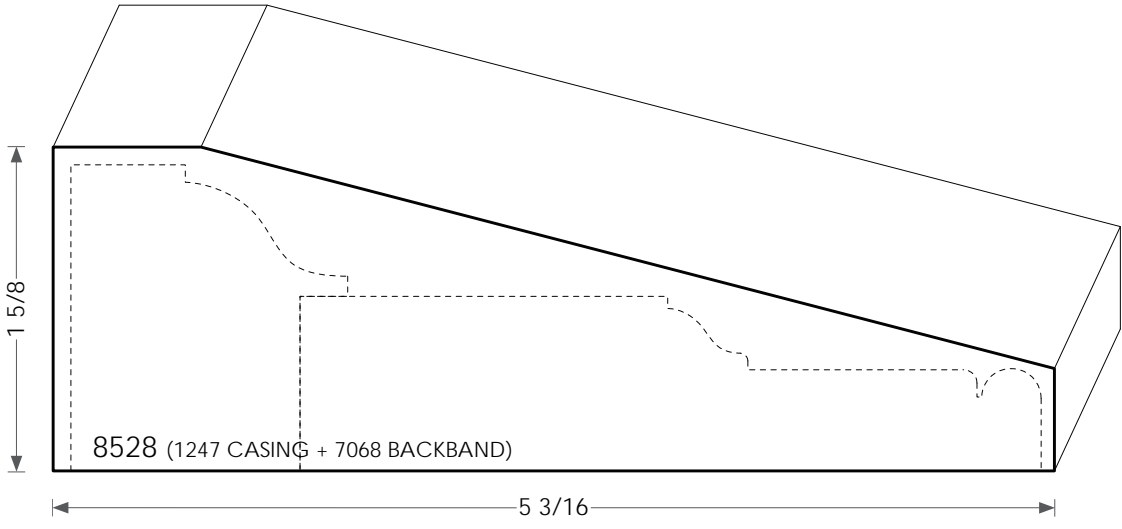
BACKBAND



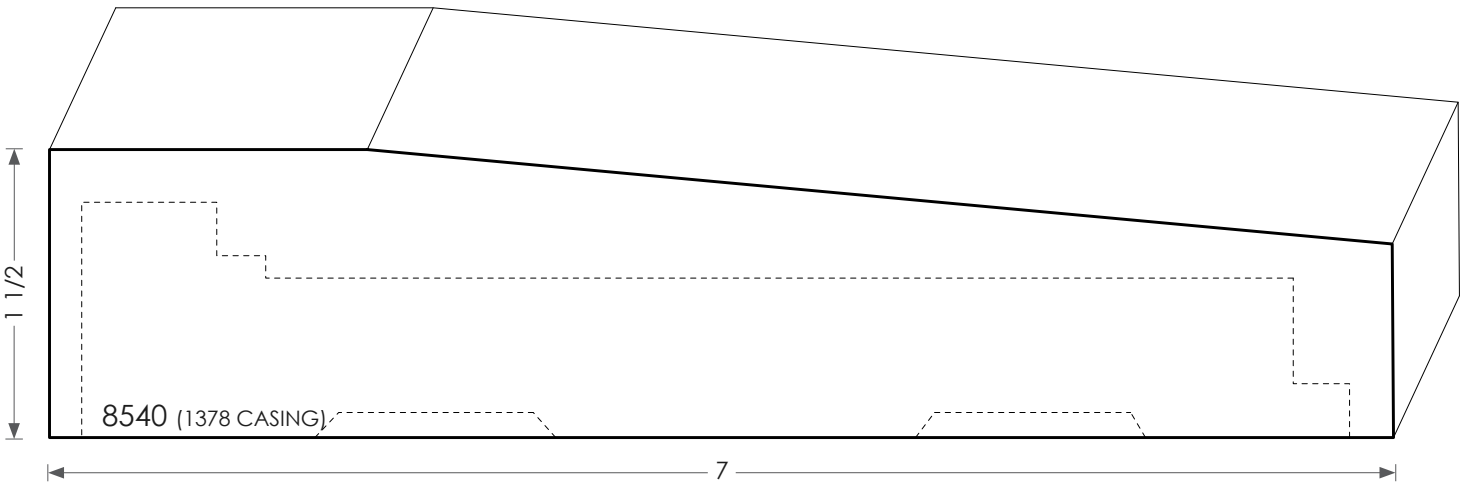
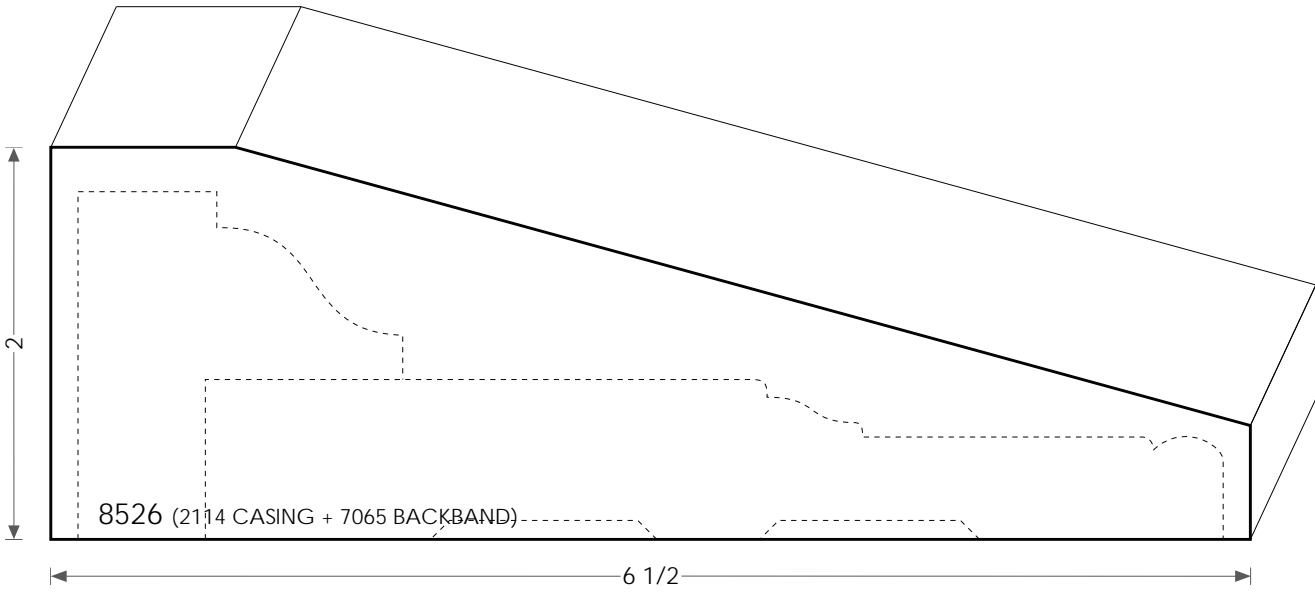
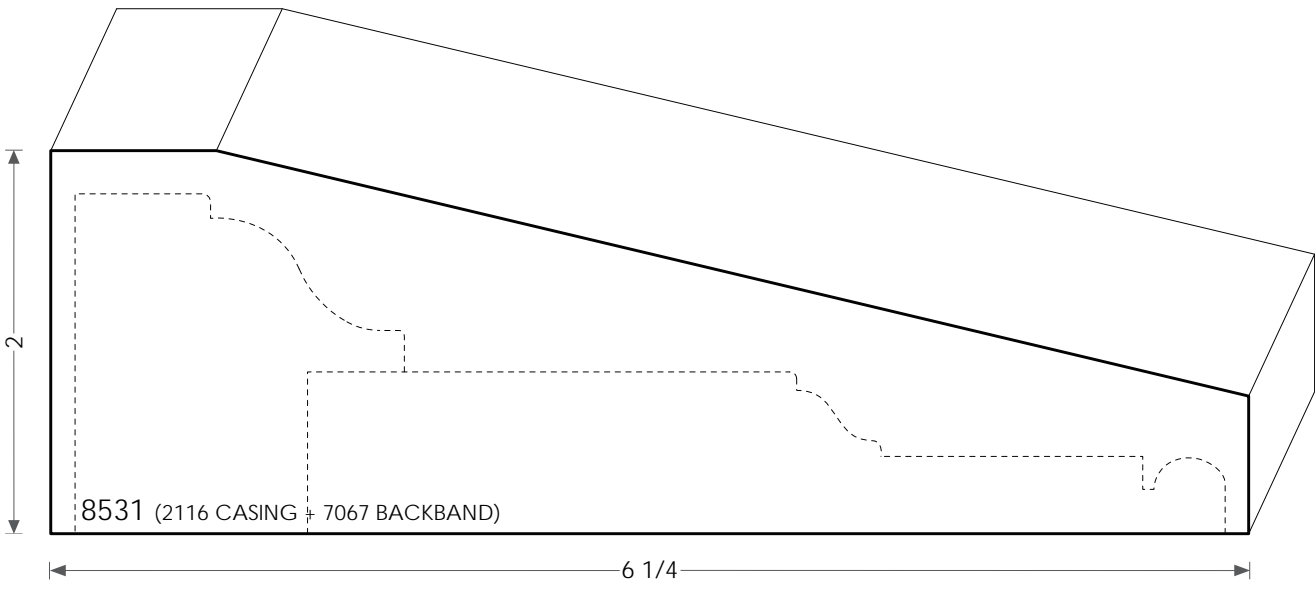


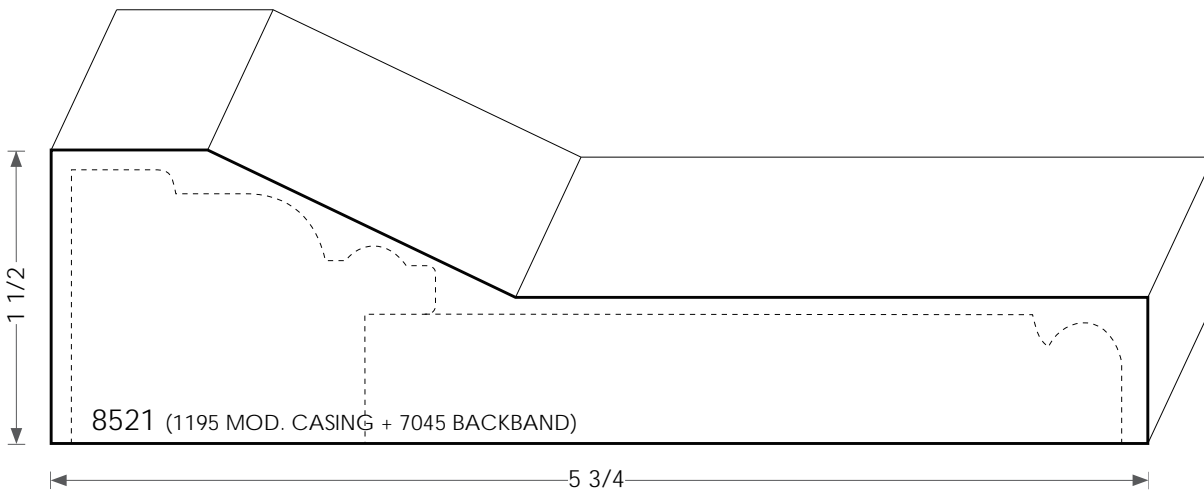
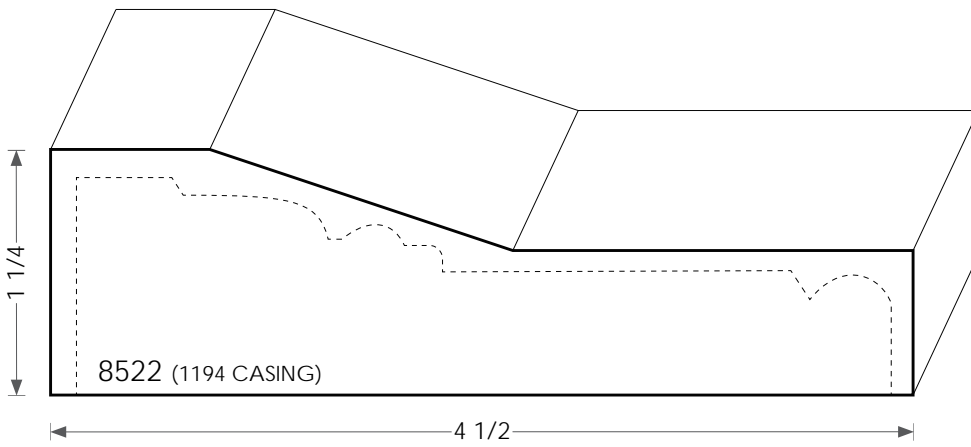
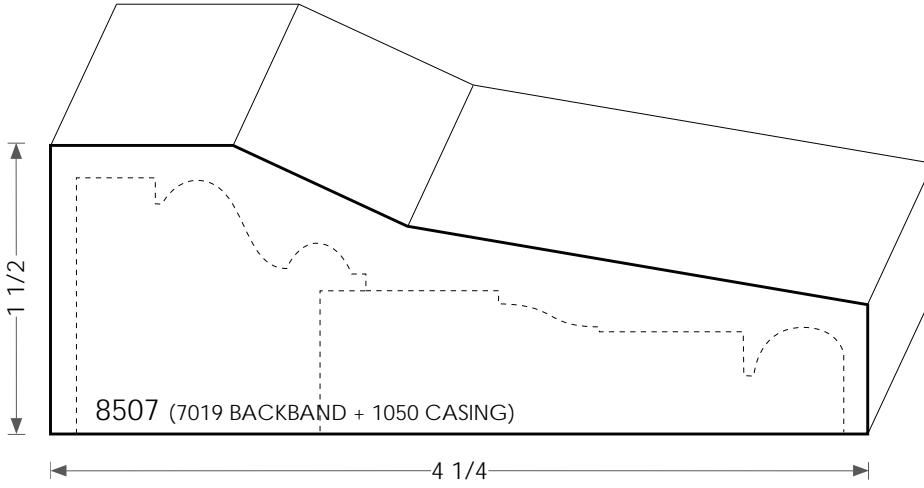
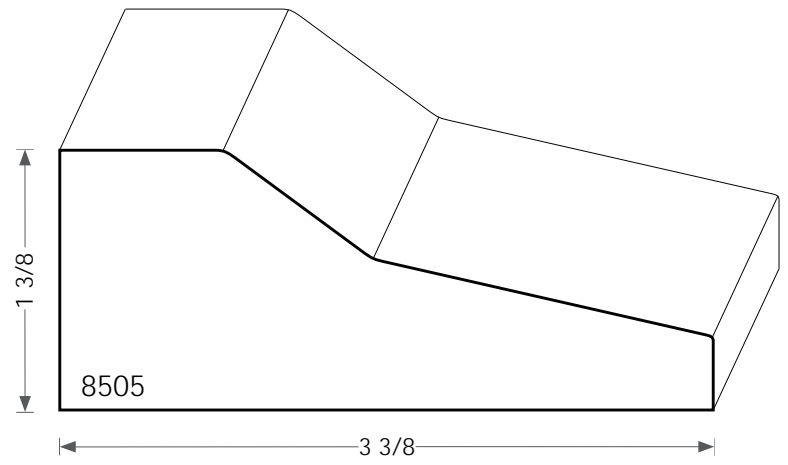
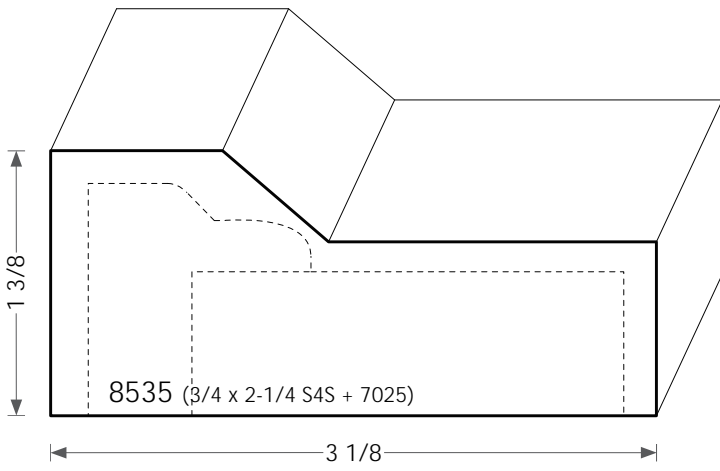


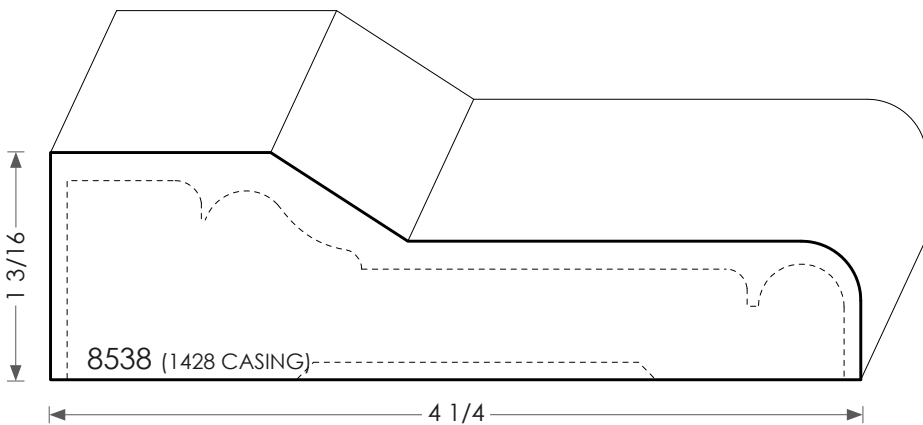
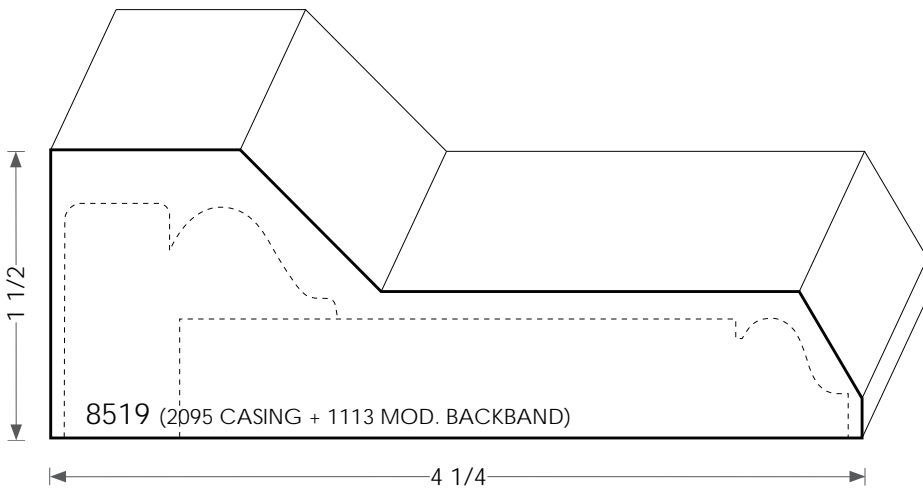
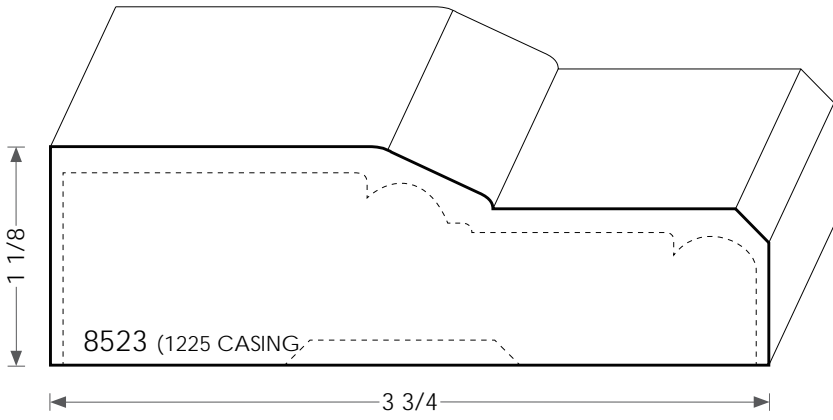
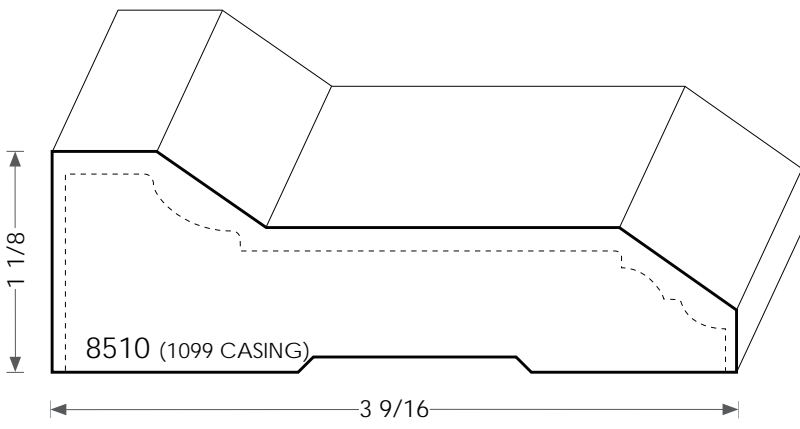


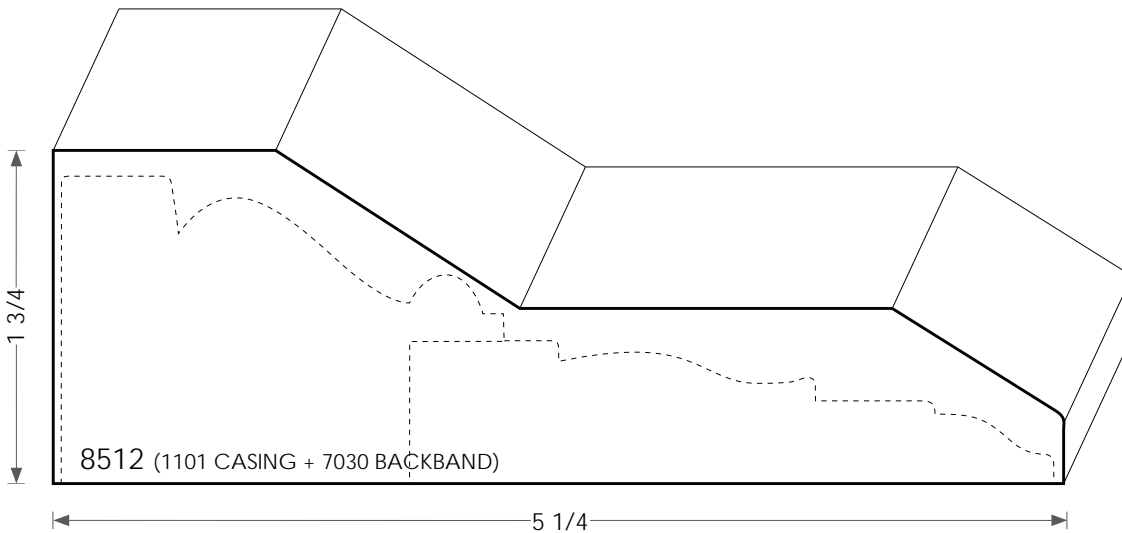
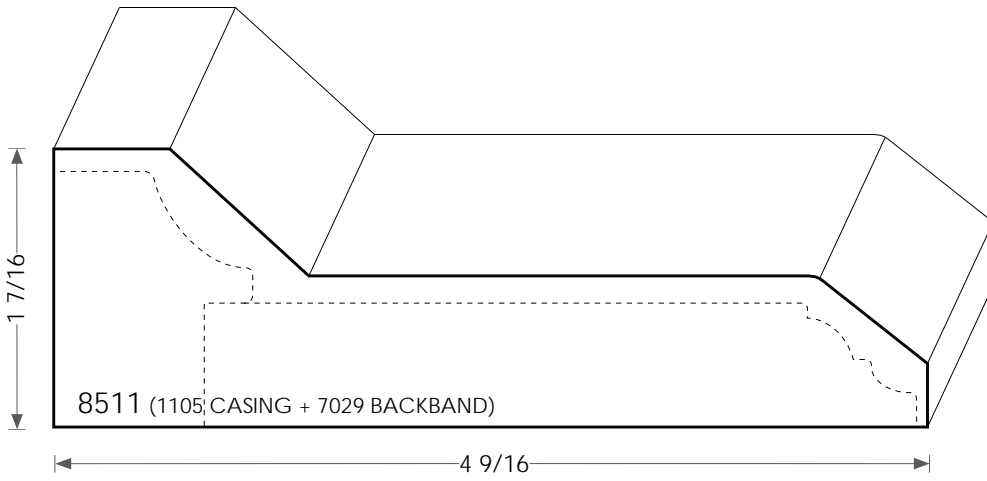
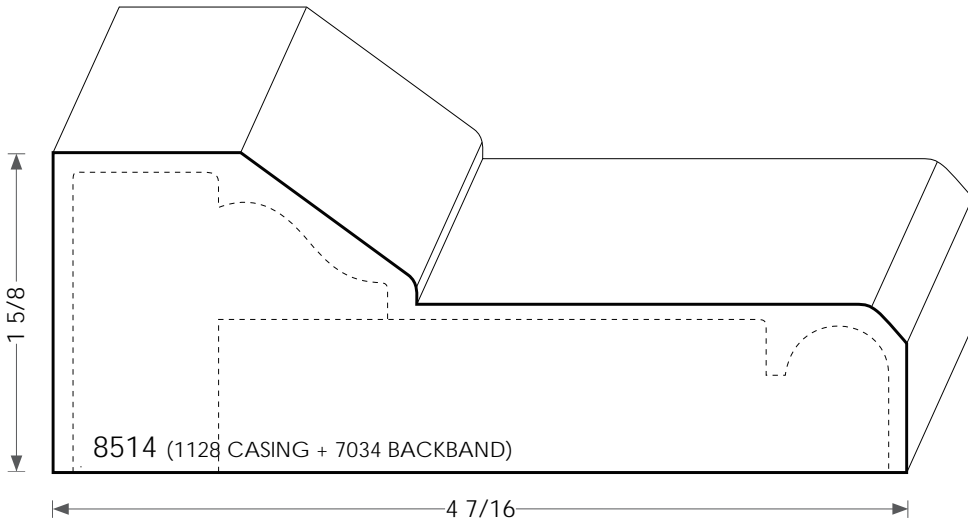
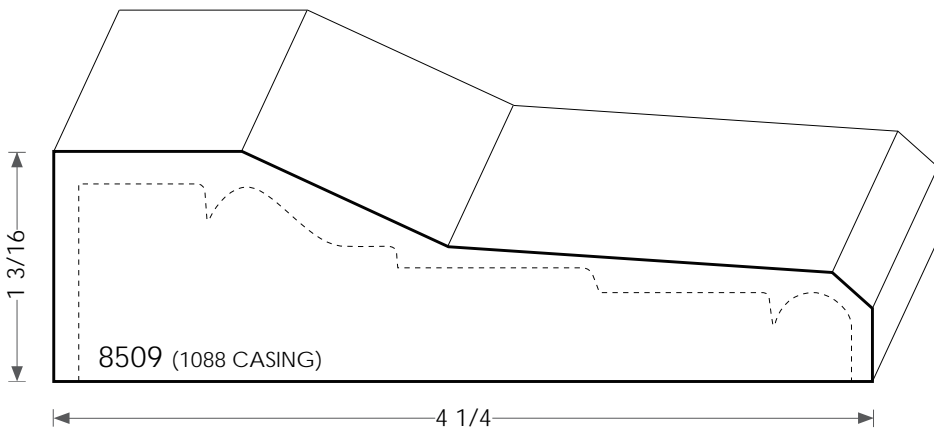


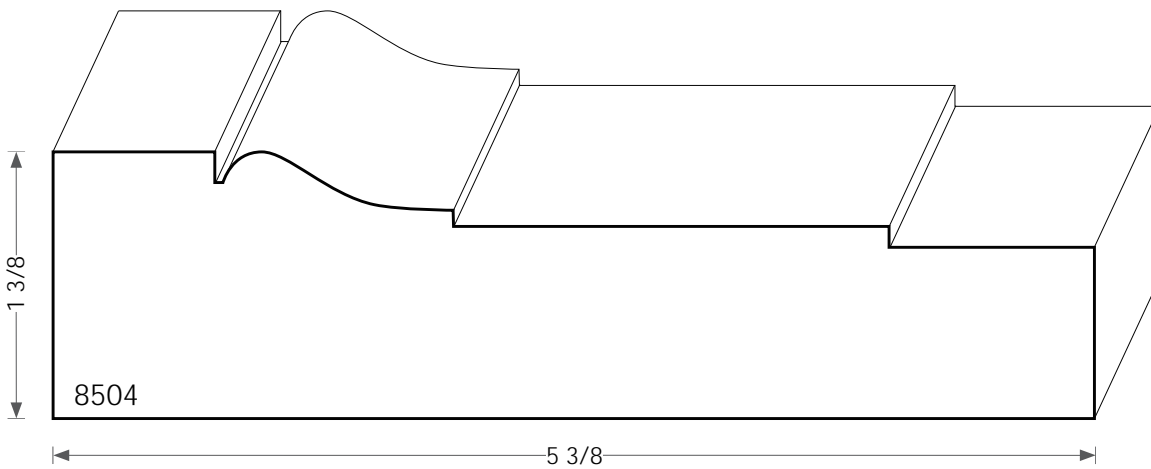
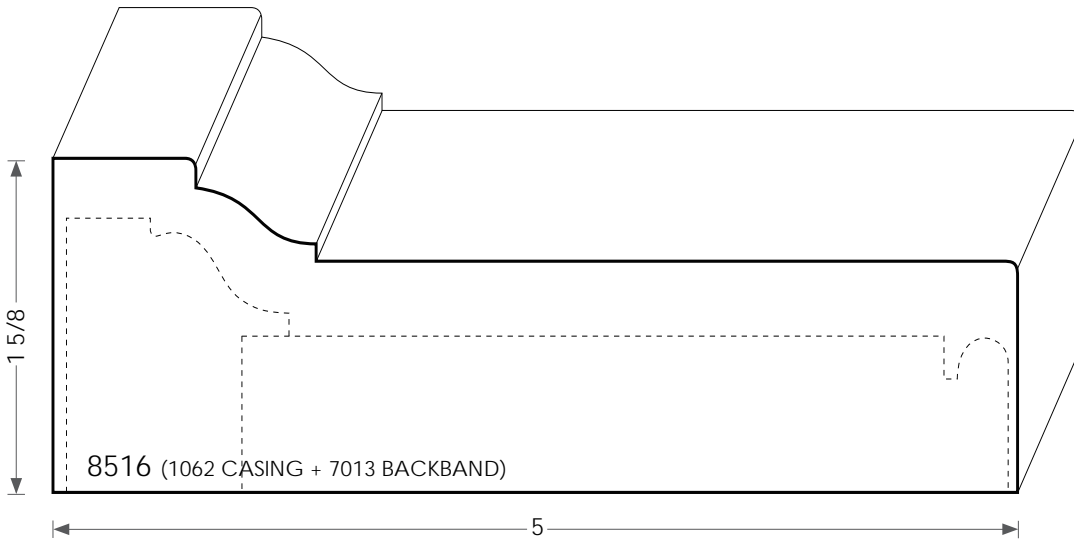
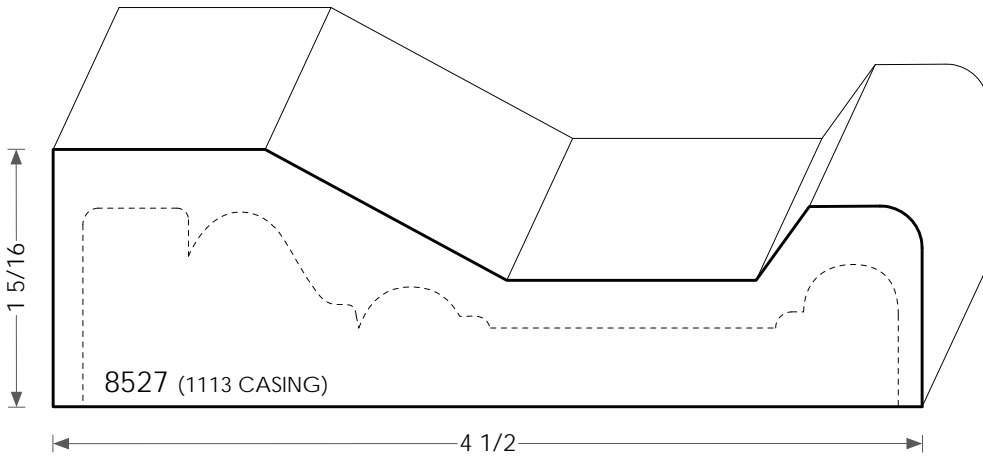
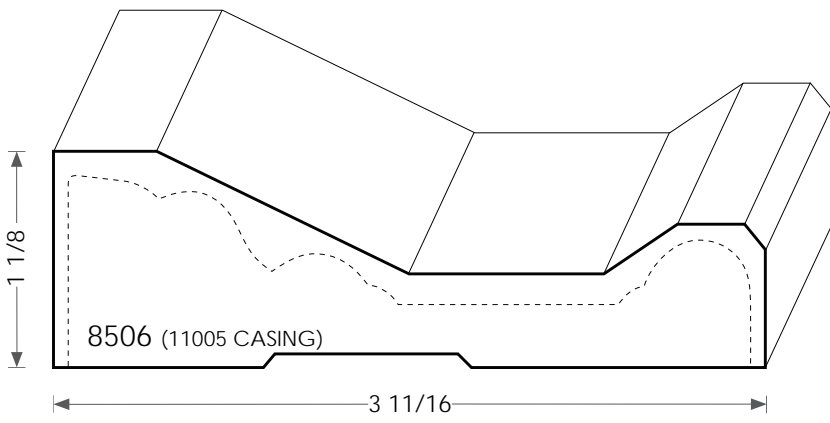
PLINTH BLOCK



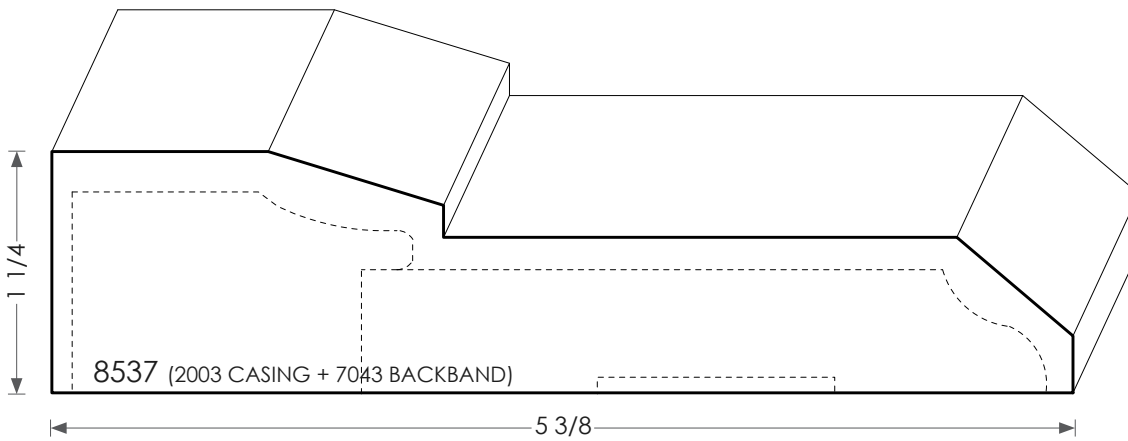
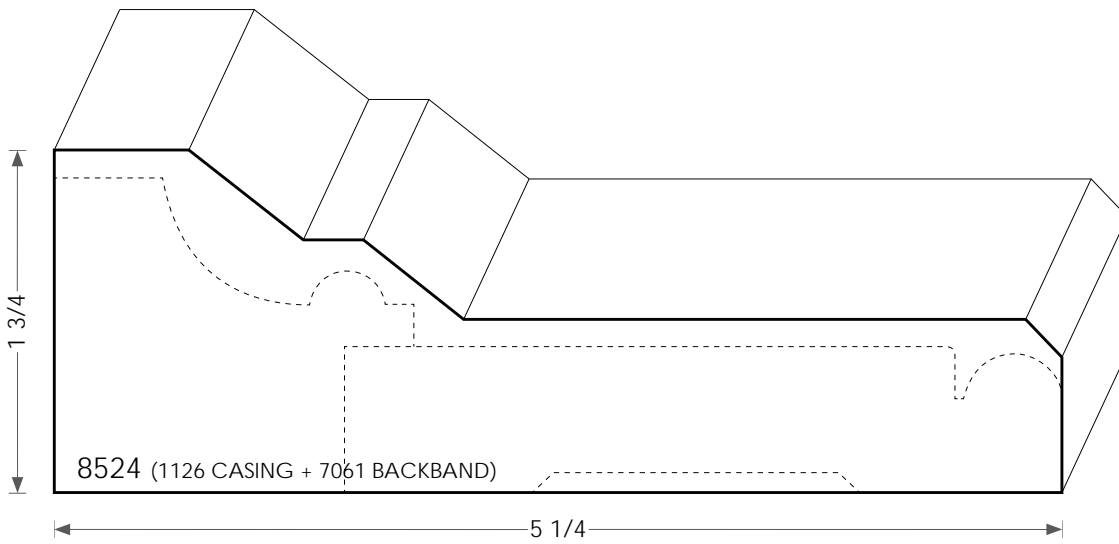
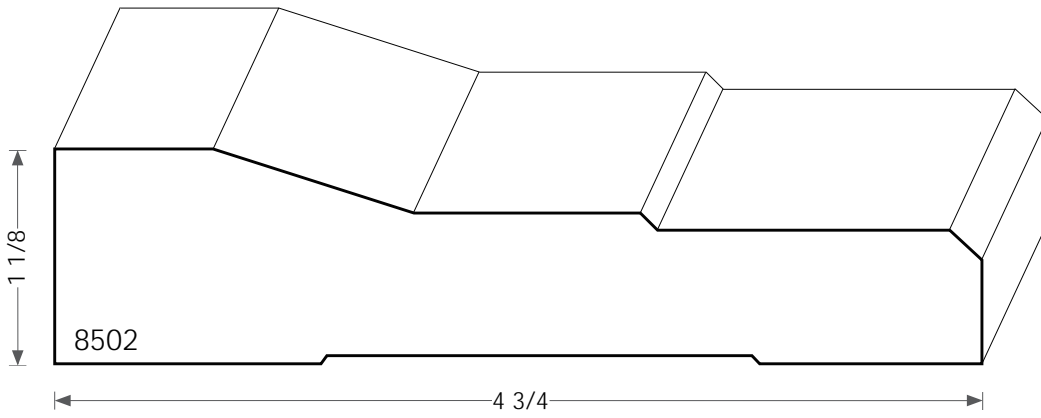
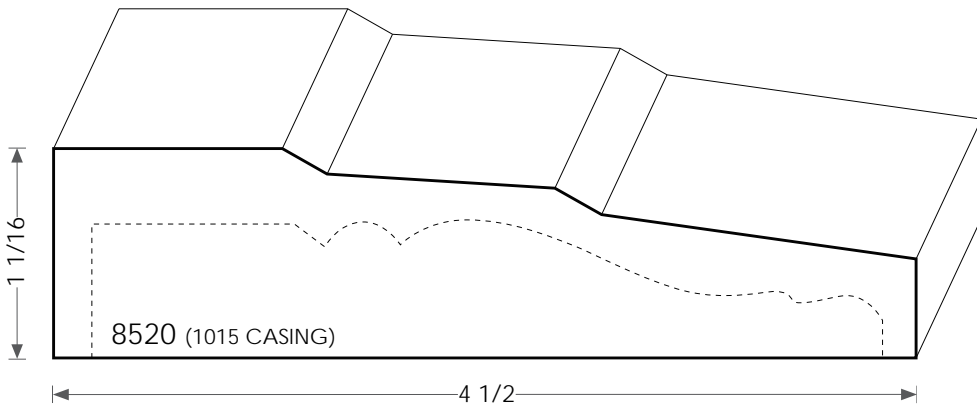




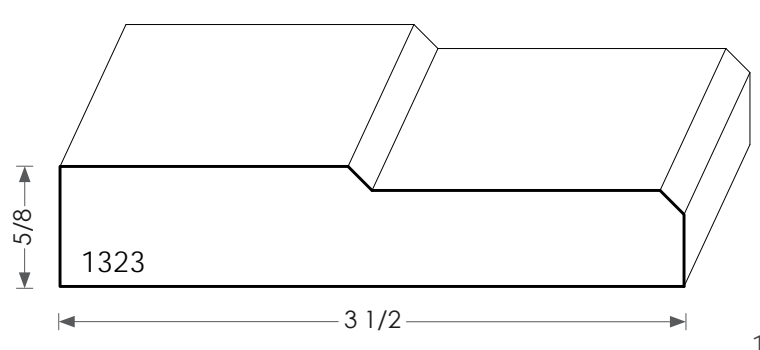
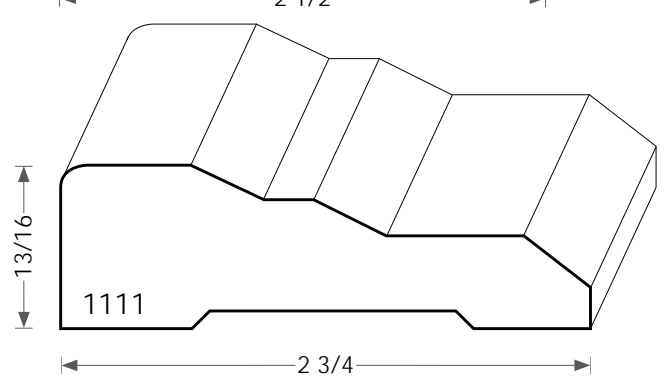
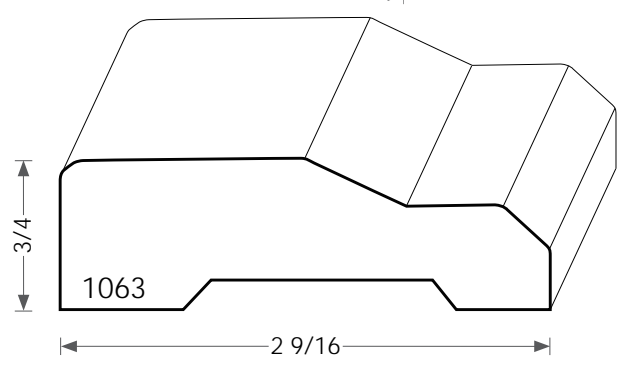
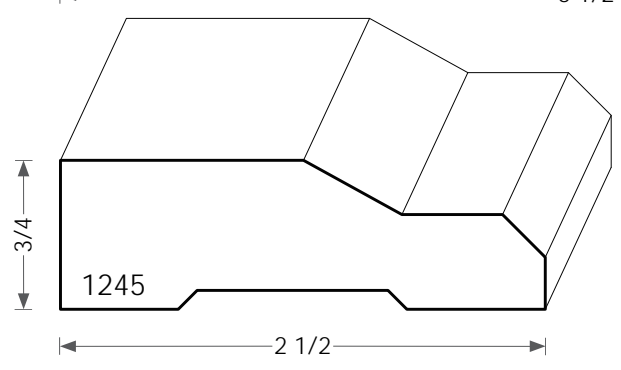
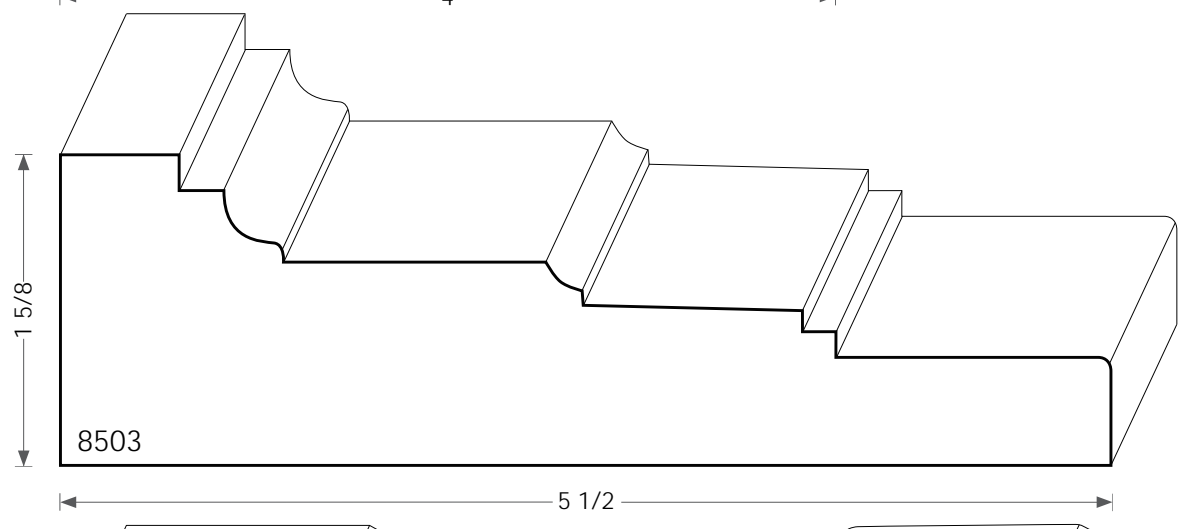
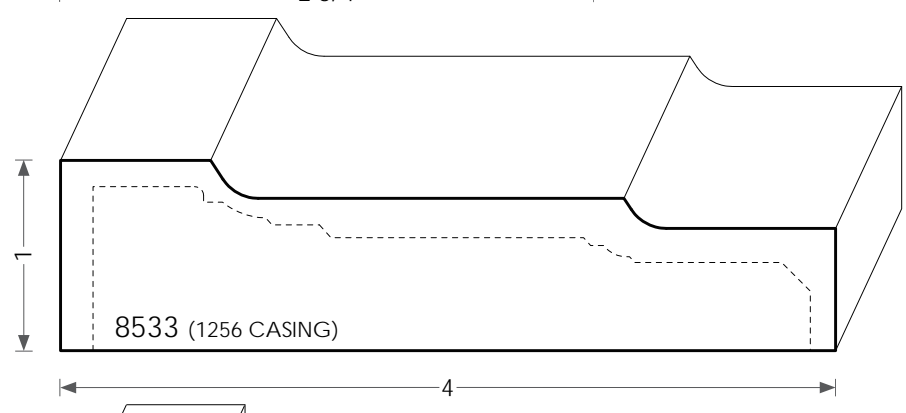
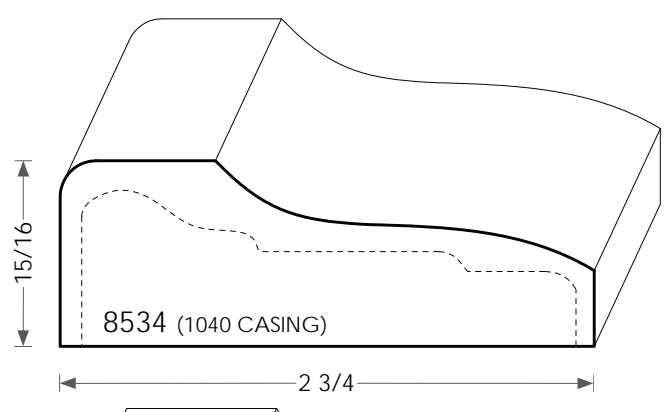


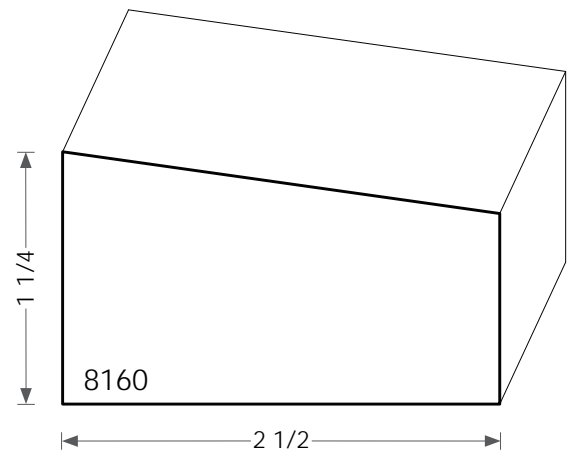
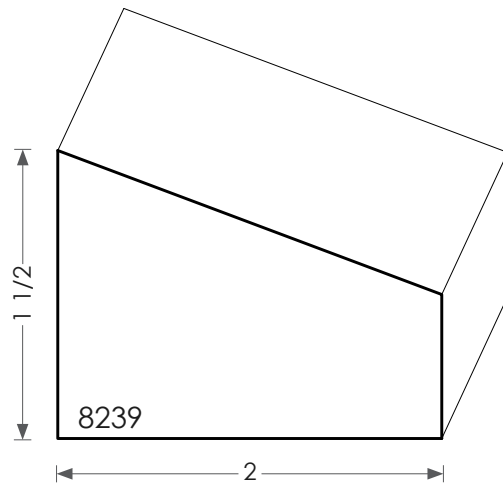
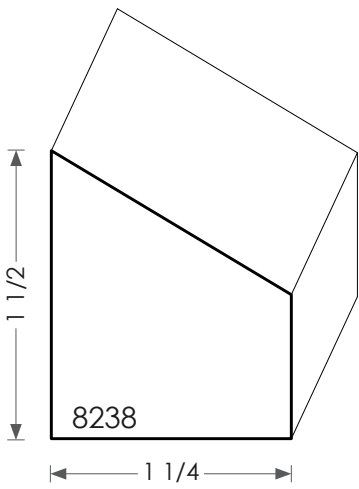
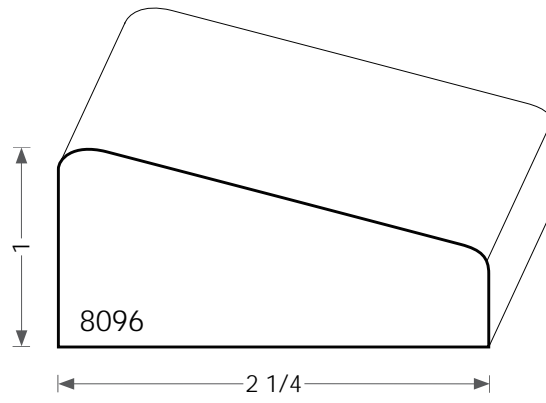
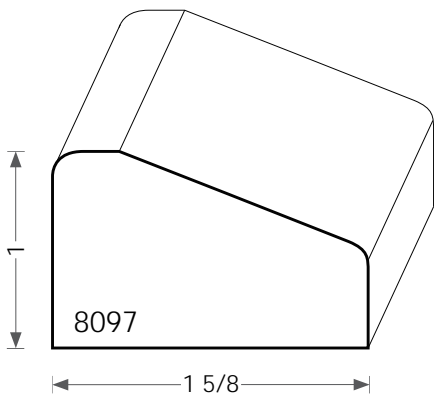
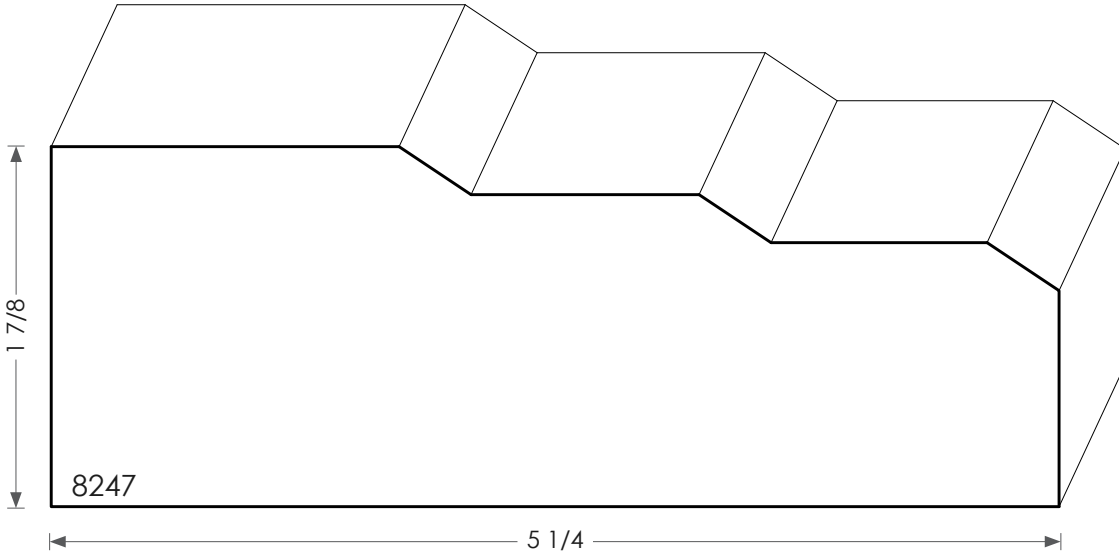
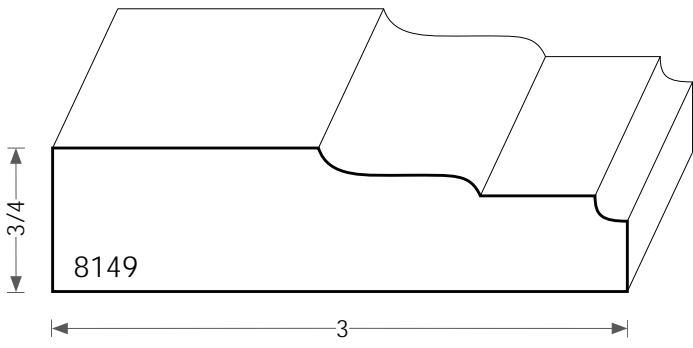


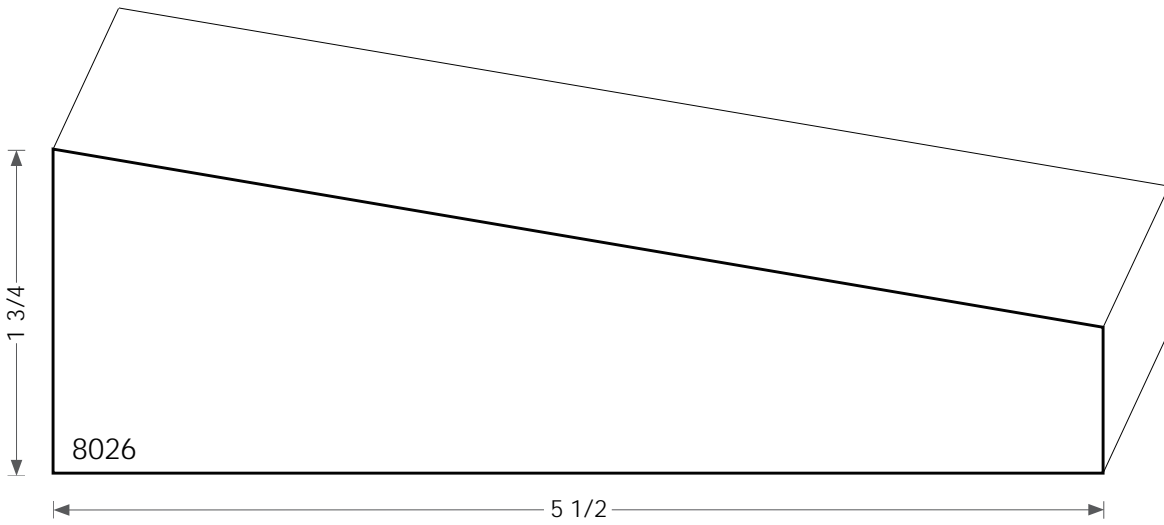
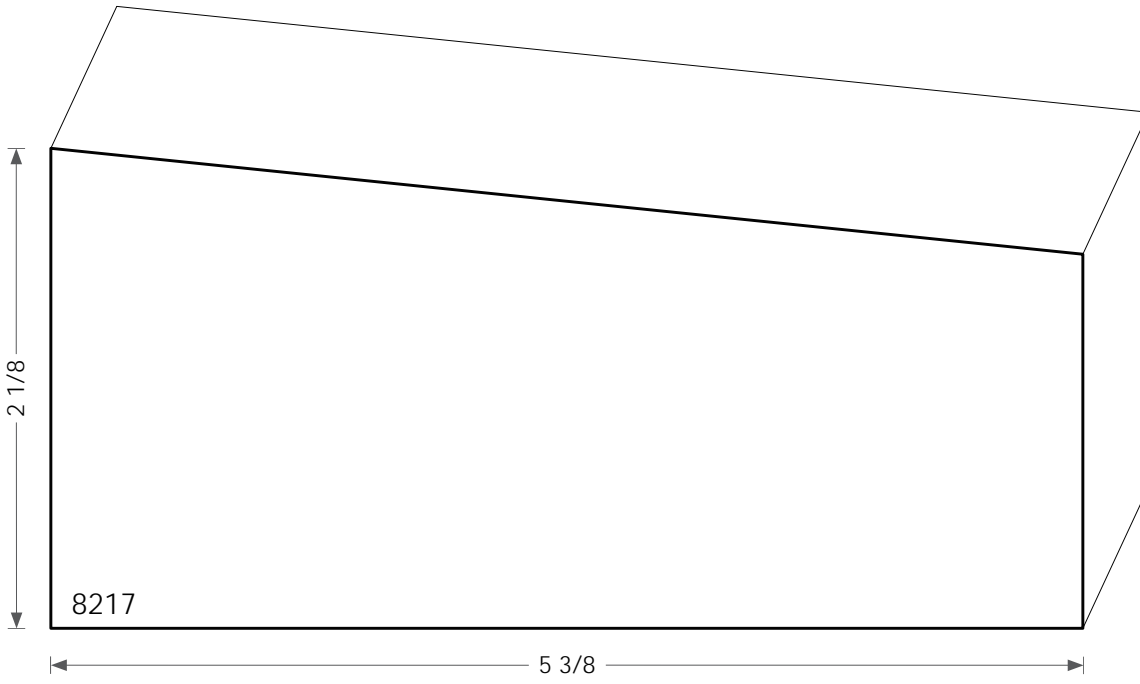
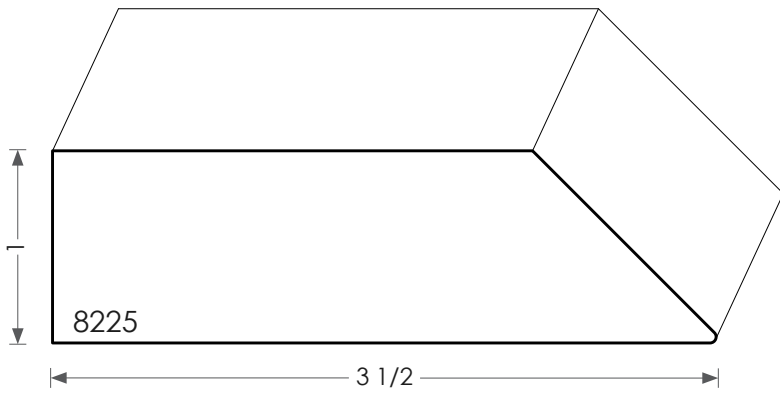


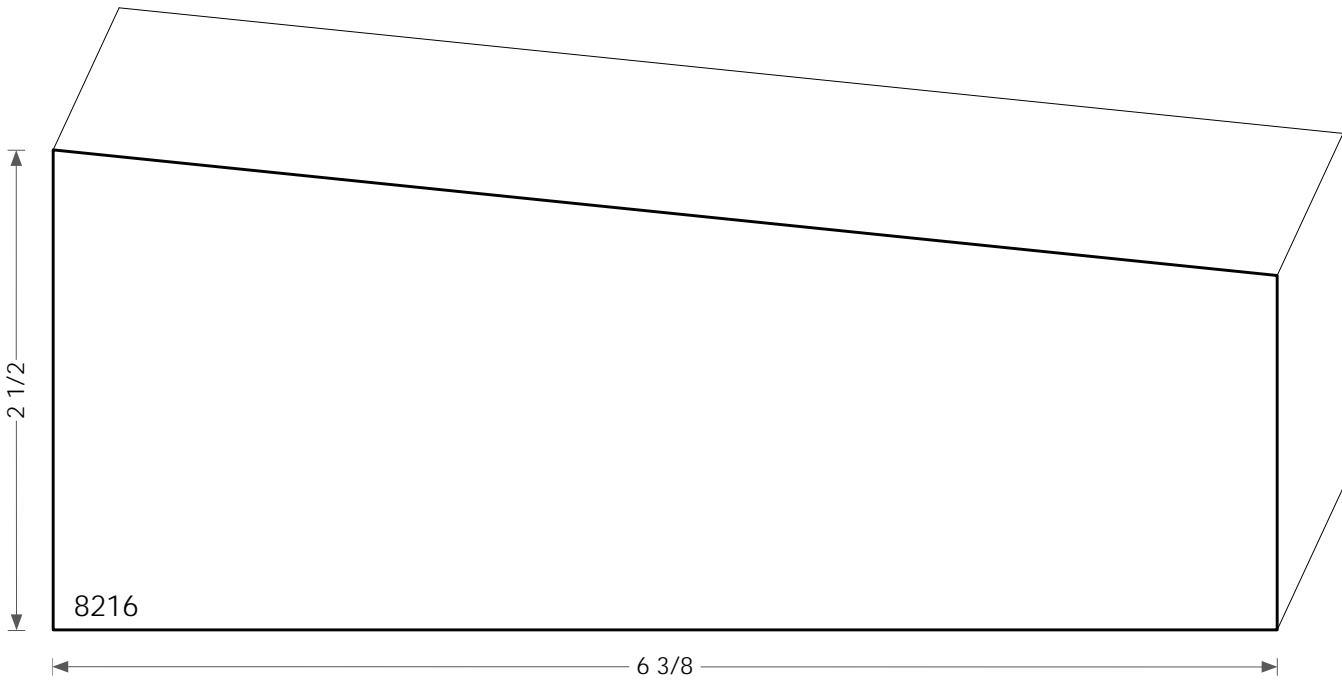
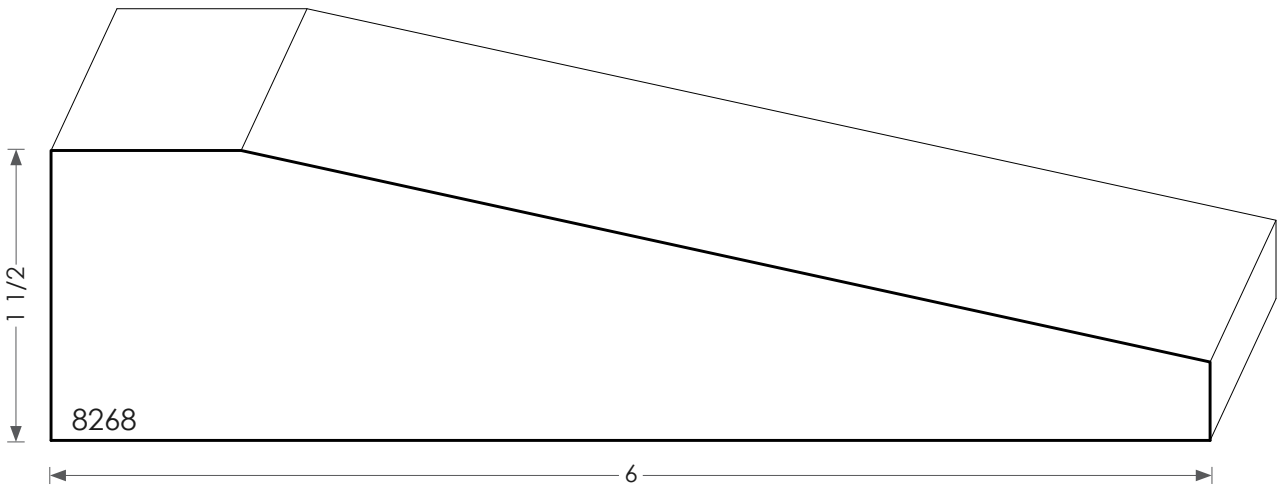


PLINTH BLOCK

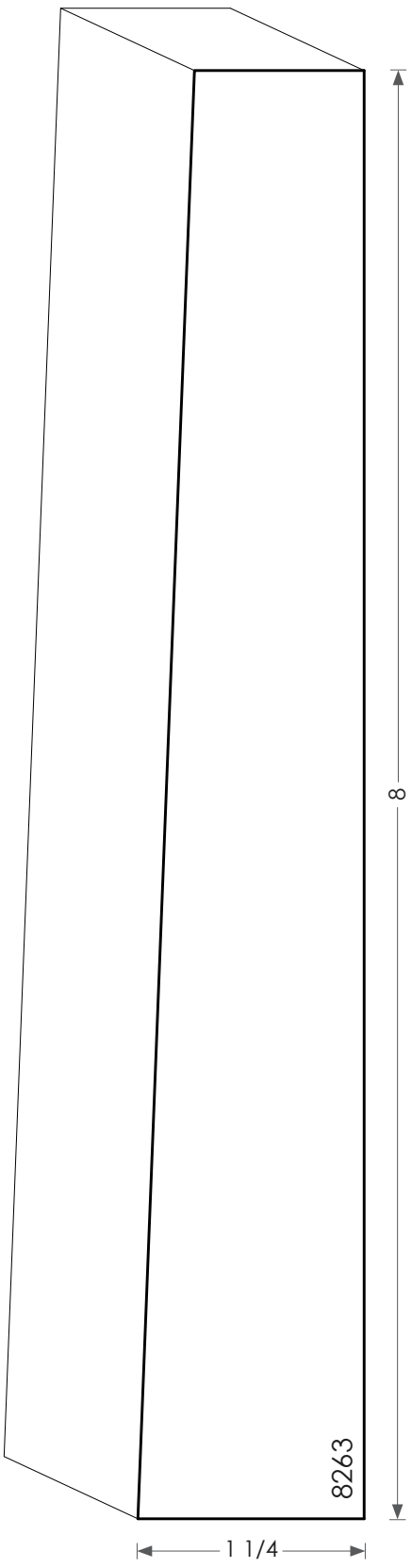


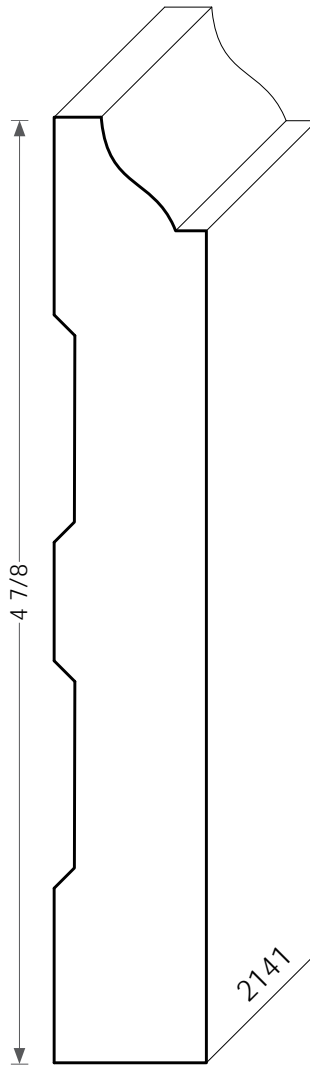
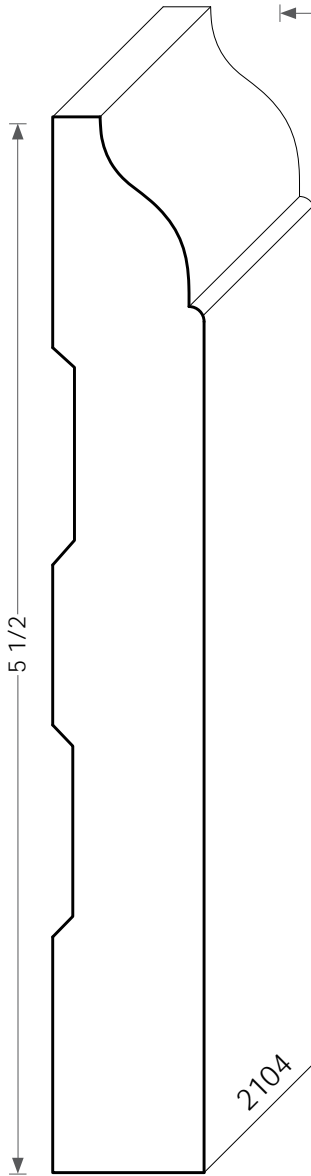
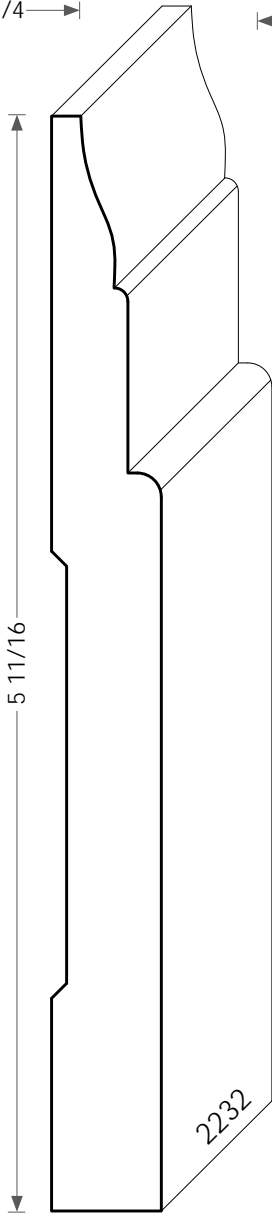
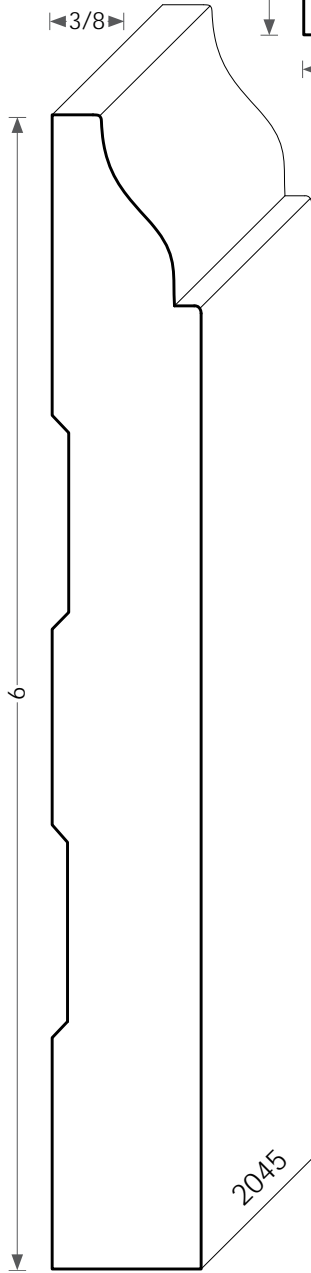
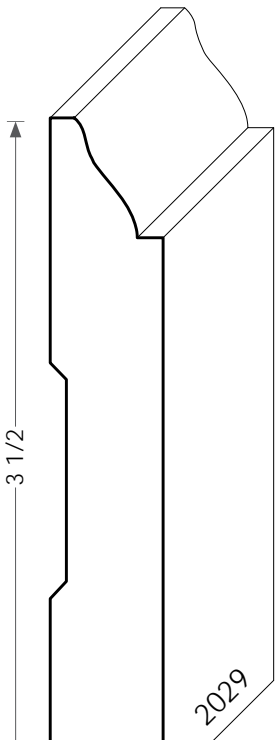
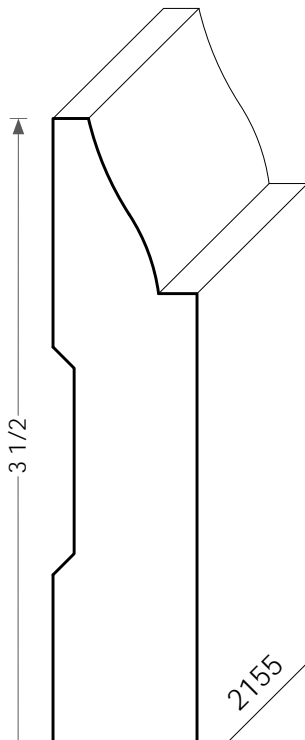
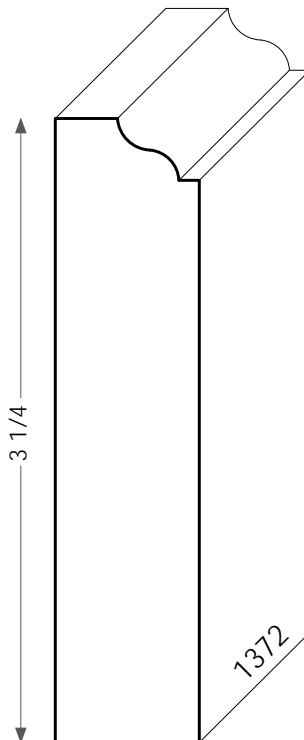
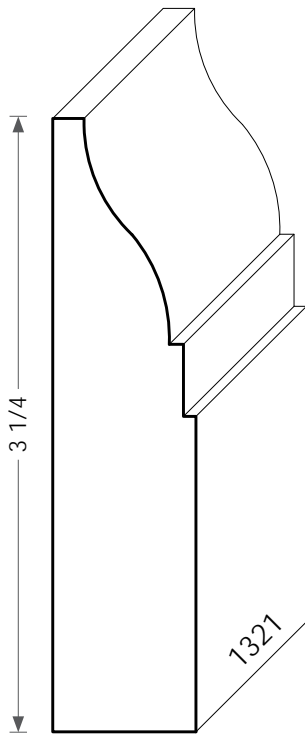
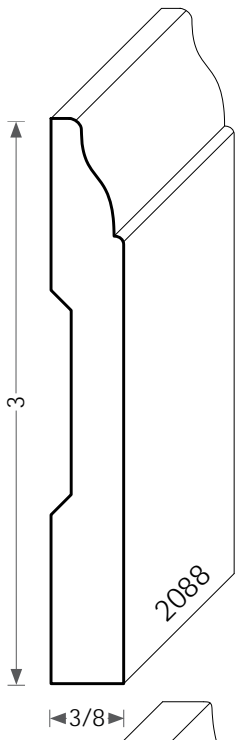




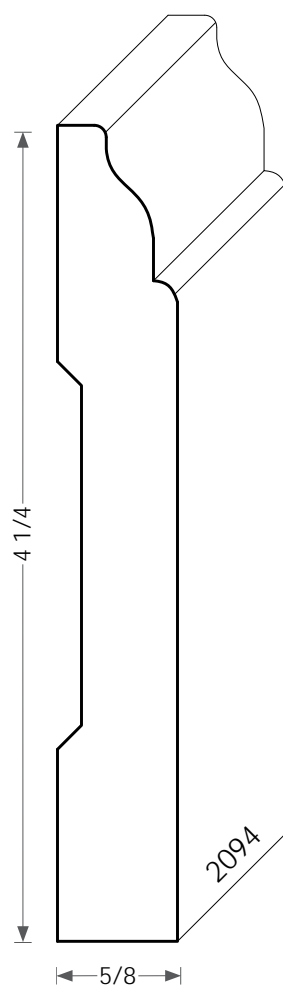
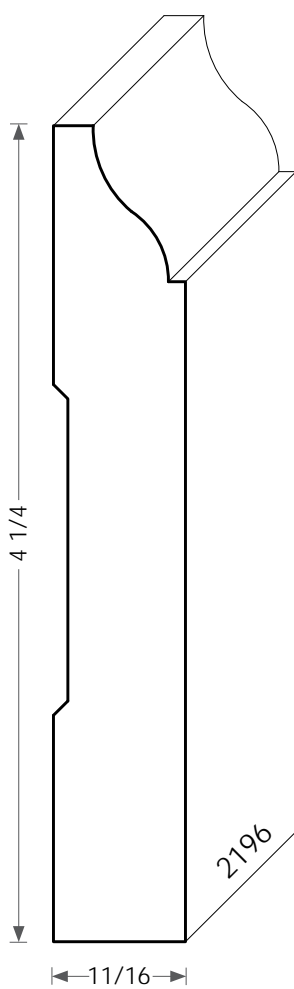
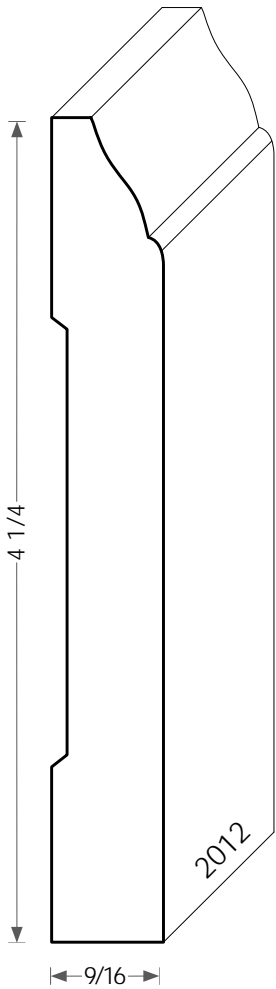
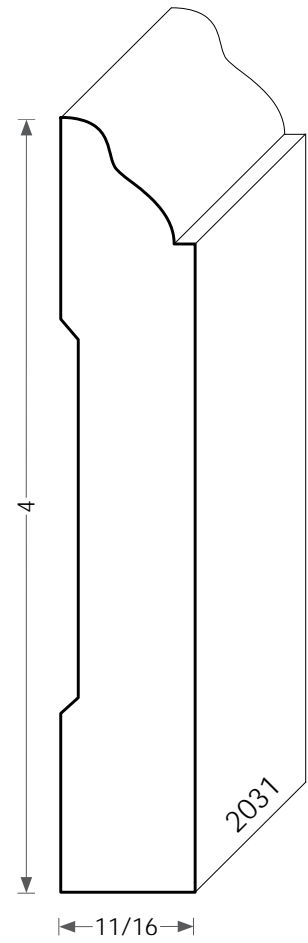
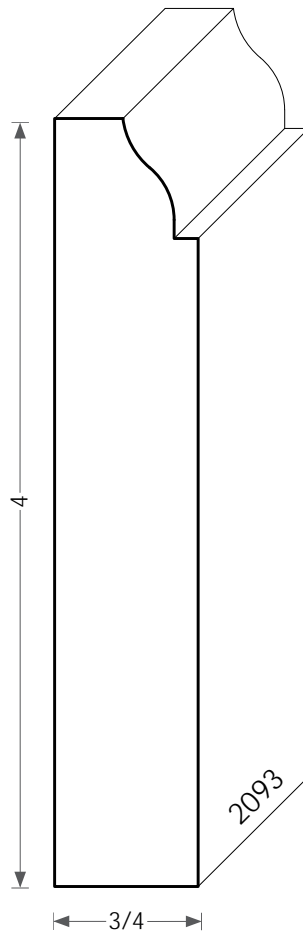
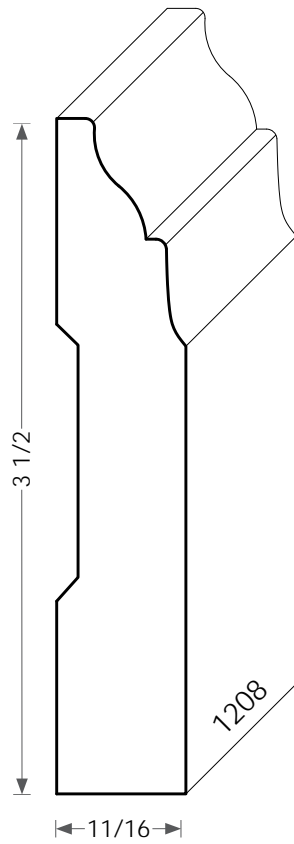
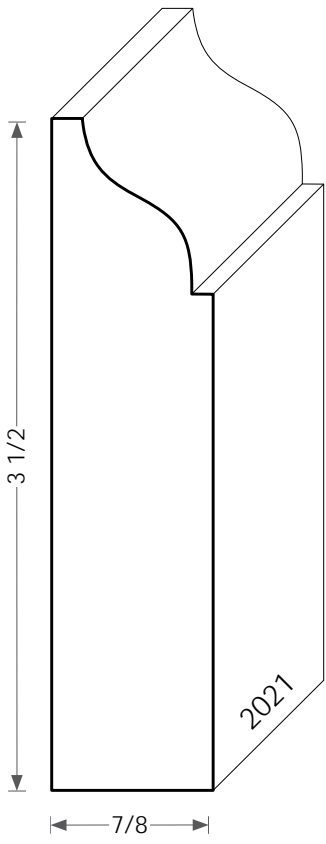


PLINTH BLOCK



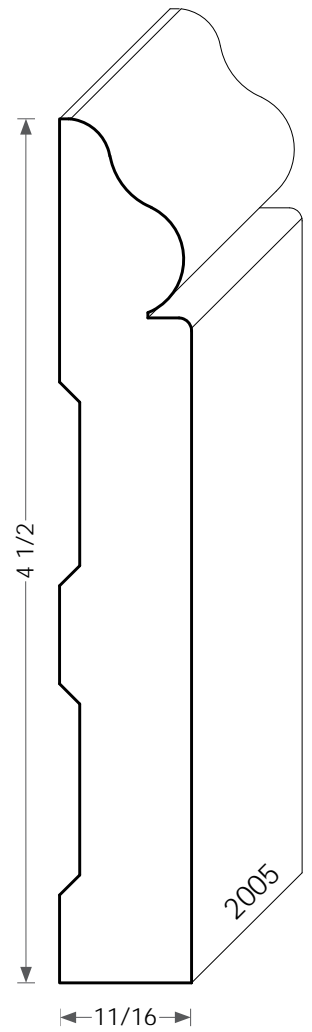
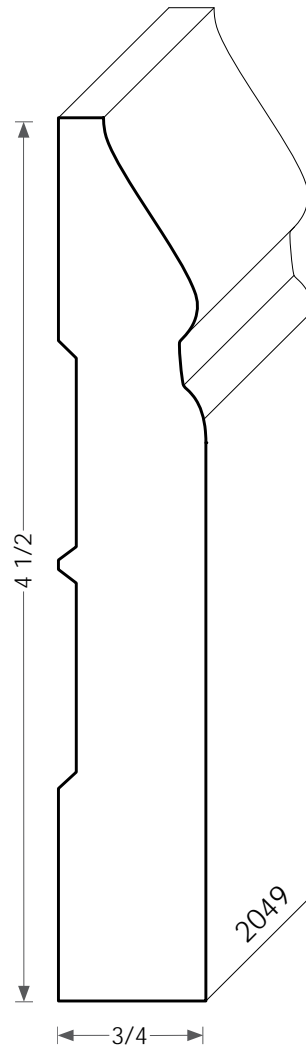
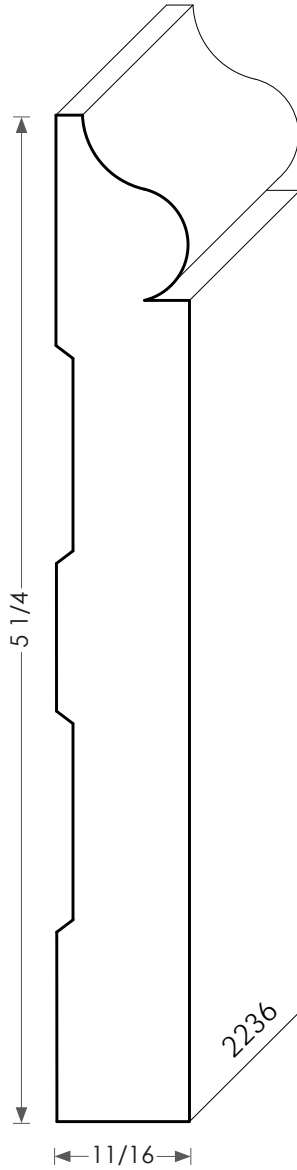
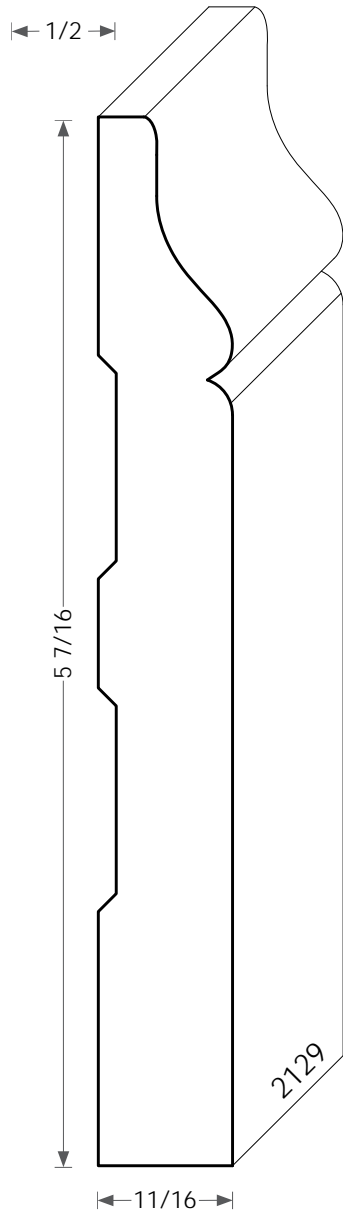
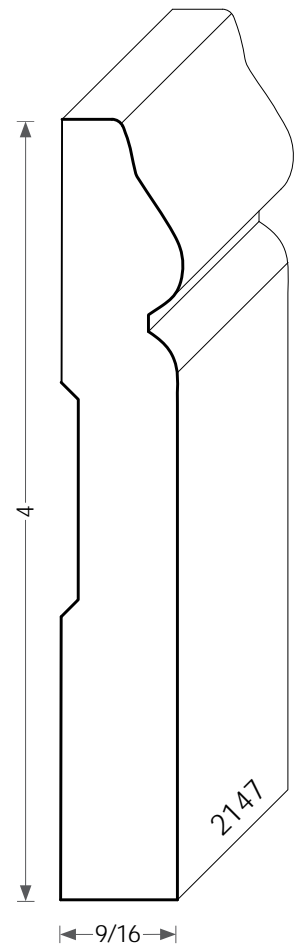
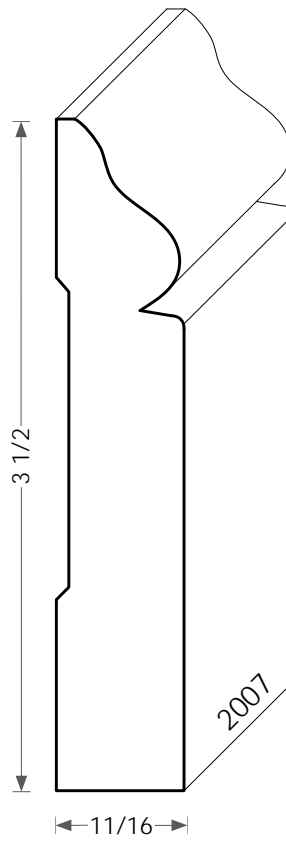
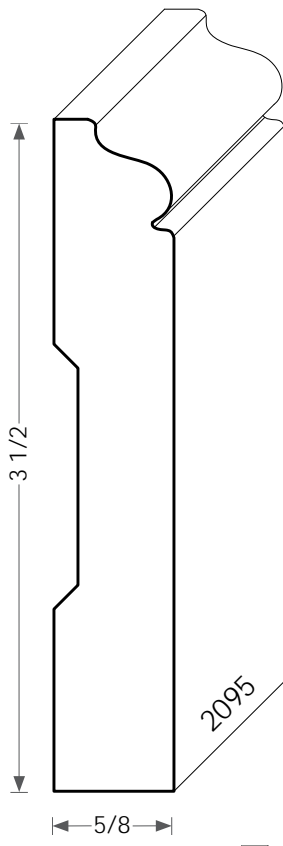
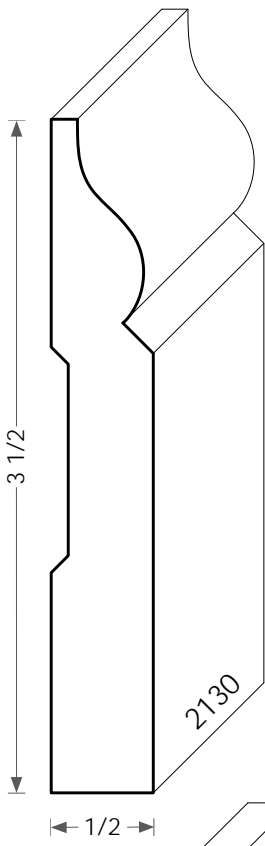


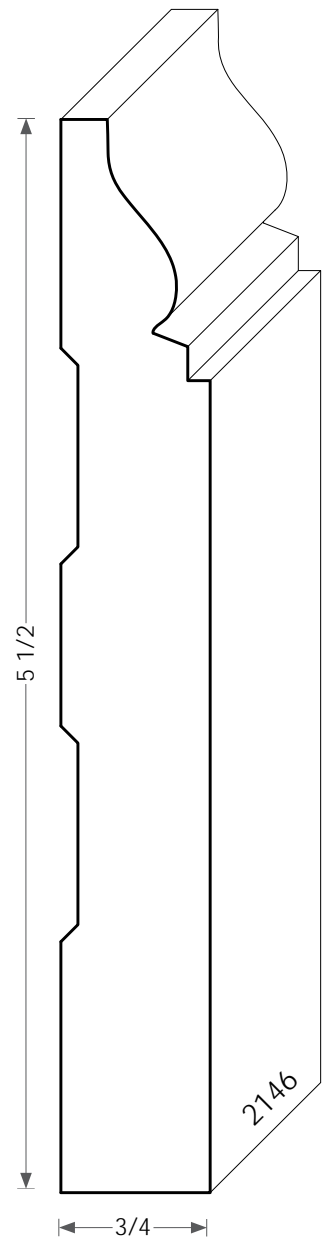
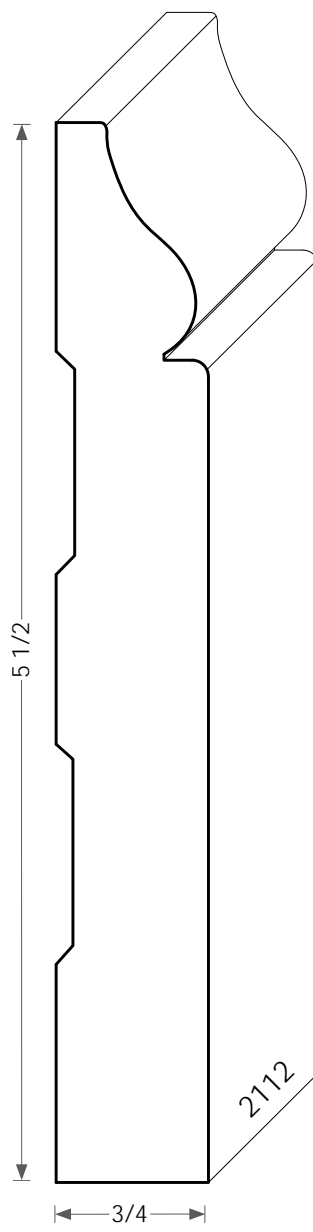
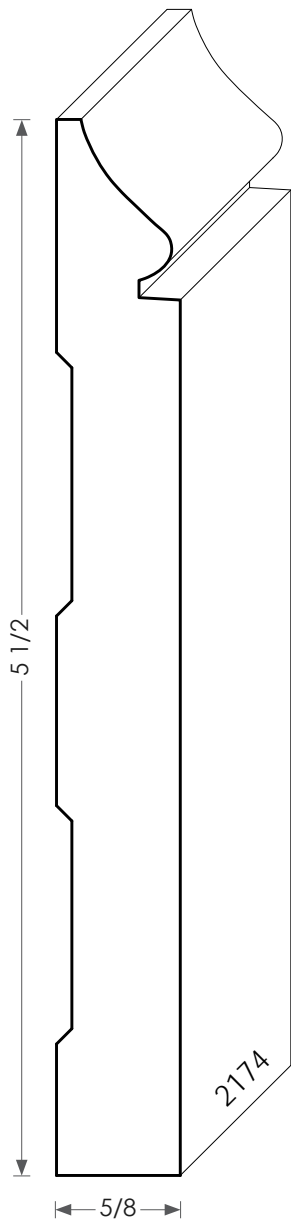
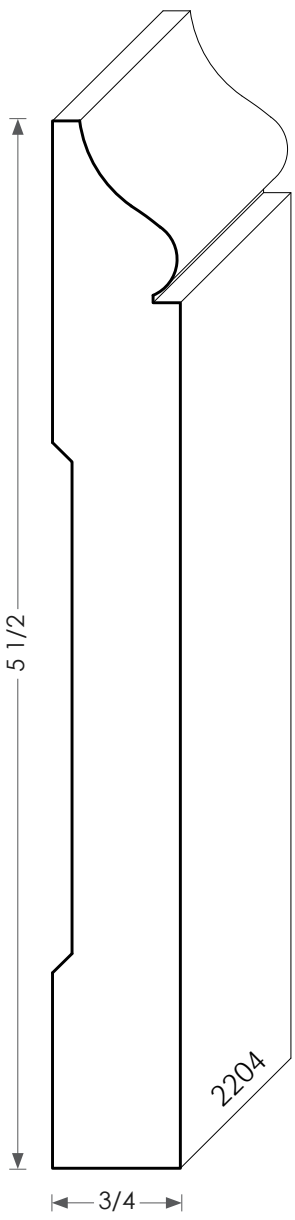
# BASEBOARD OGEE



MOST BASEBOARDS CAN  
BE MODIFIED FOR HEIGHT.

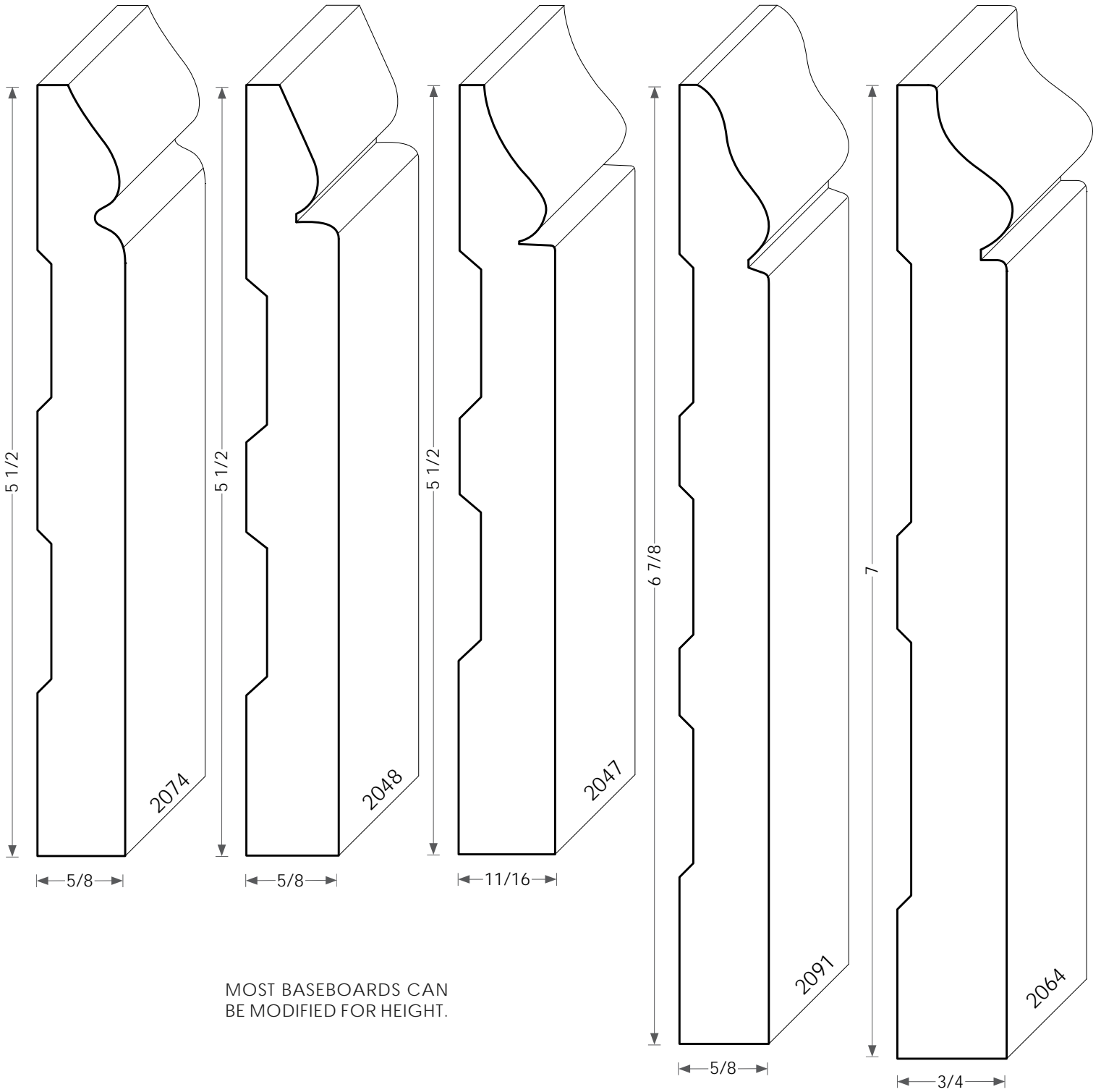




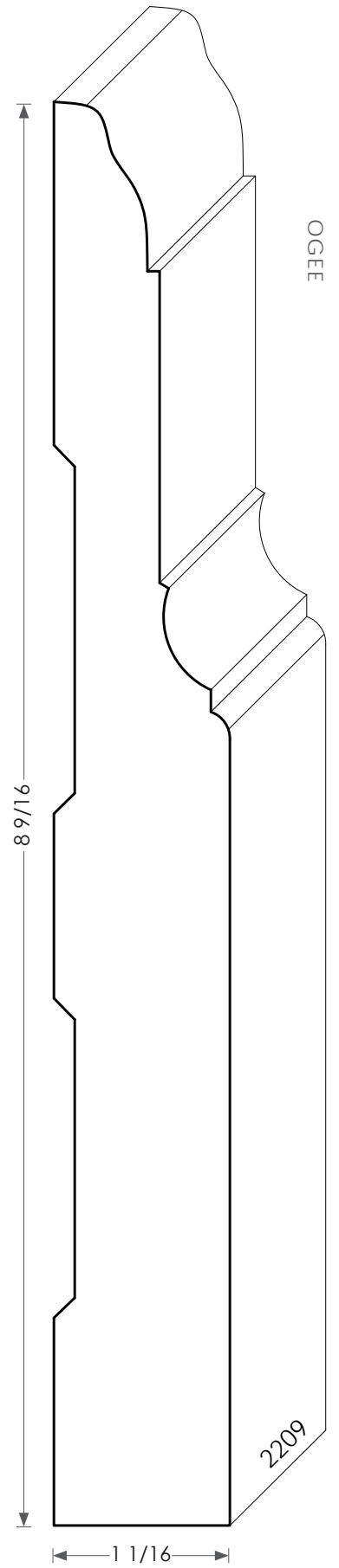
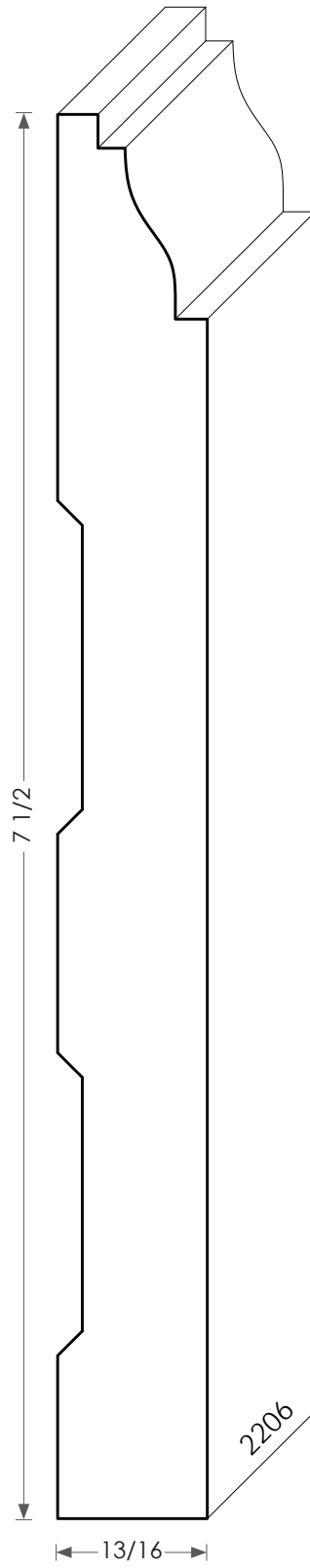
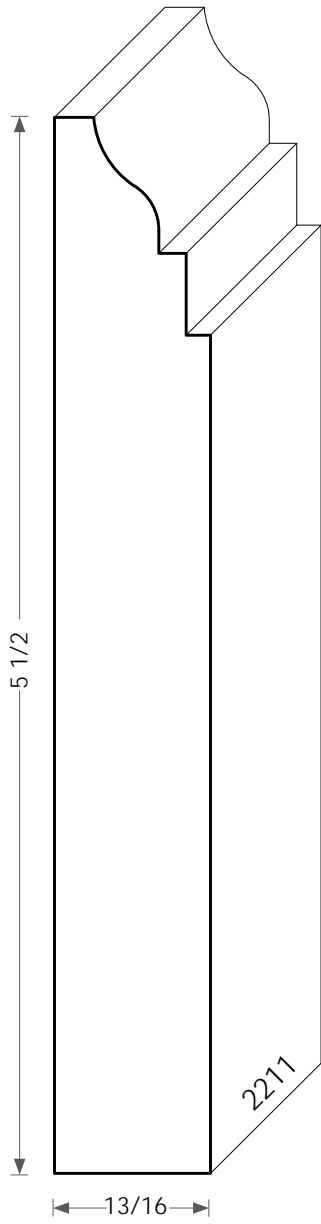
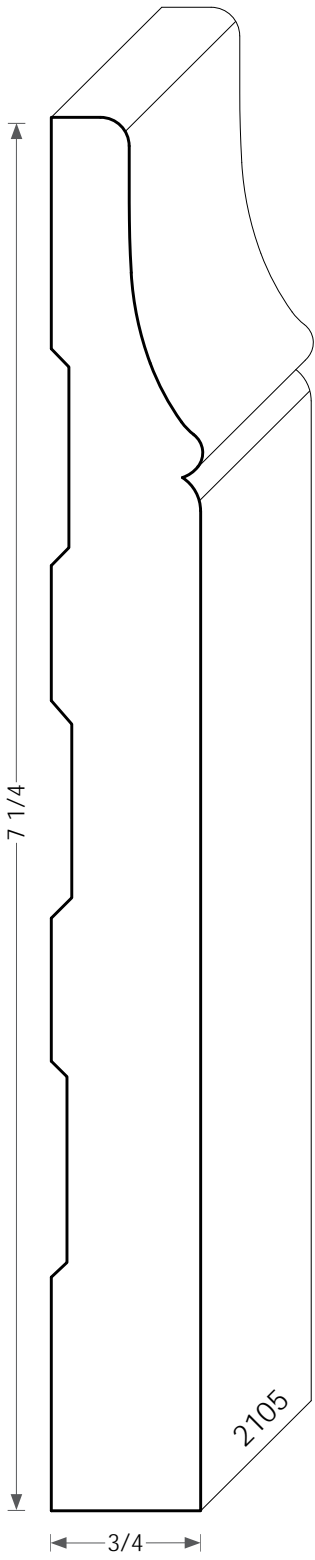


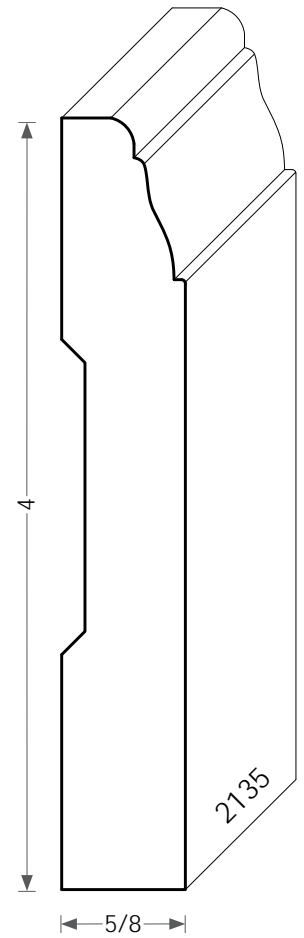
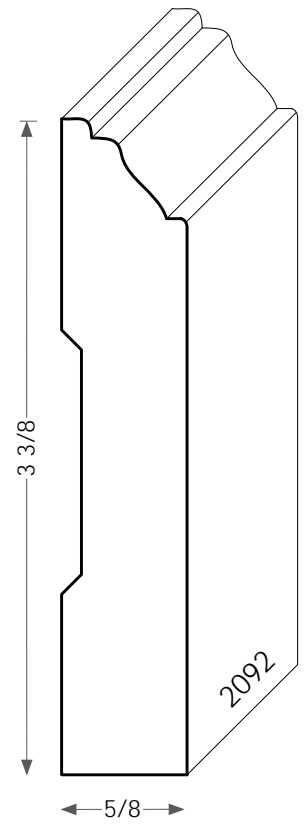
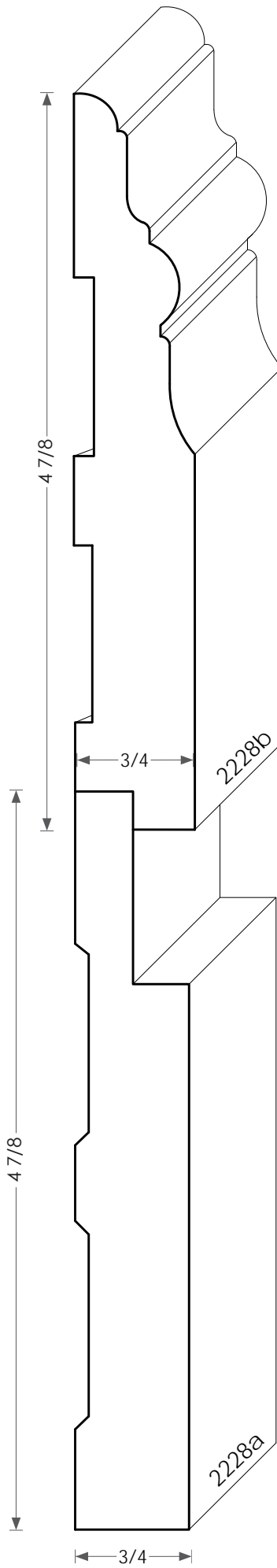
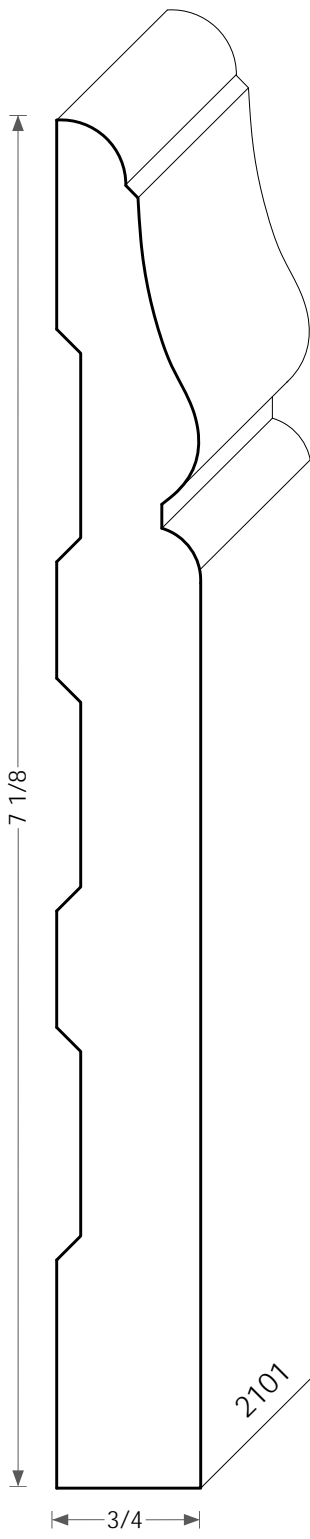
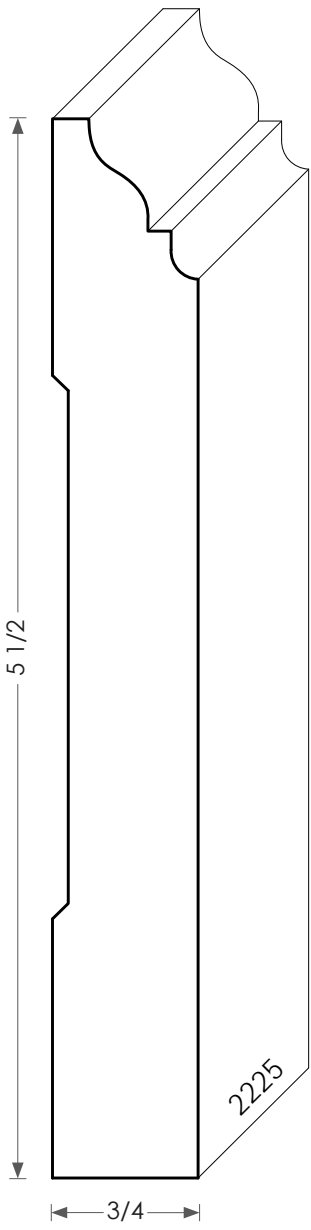
BASEBOARD  
OGEE

MOST BASEBOARDS CAN  
BE MODIFIED FOR HEIGHT.

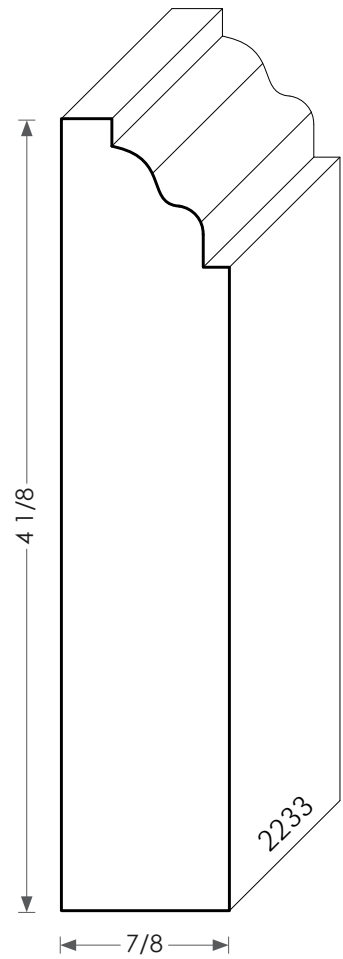
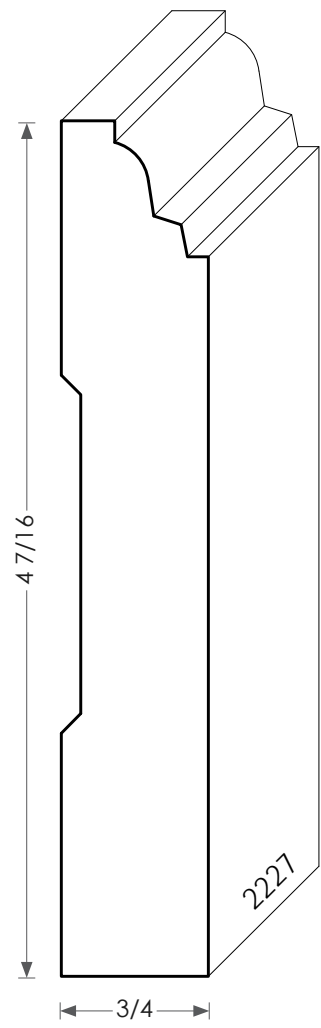
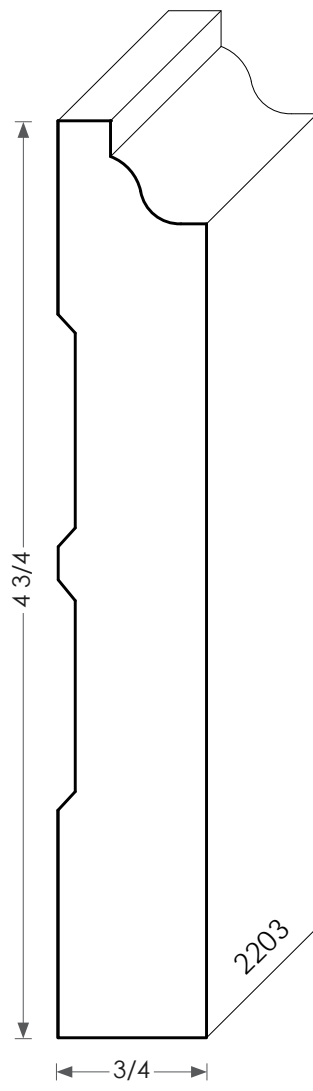
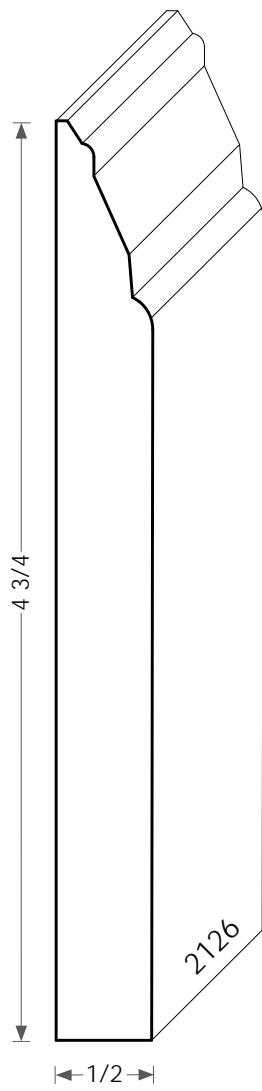
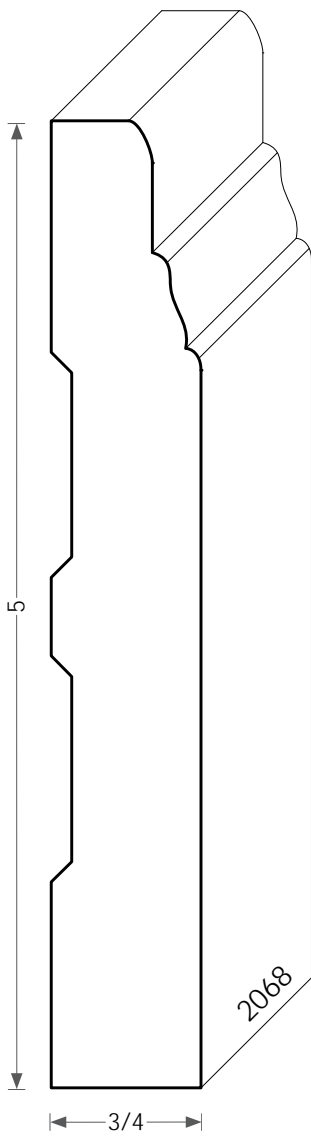


BASEBOARD  
OGEE

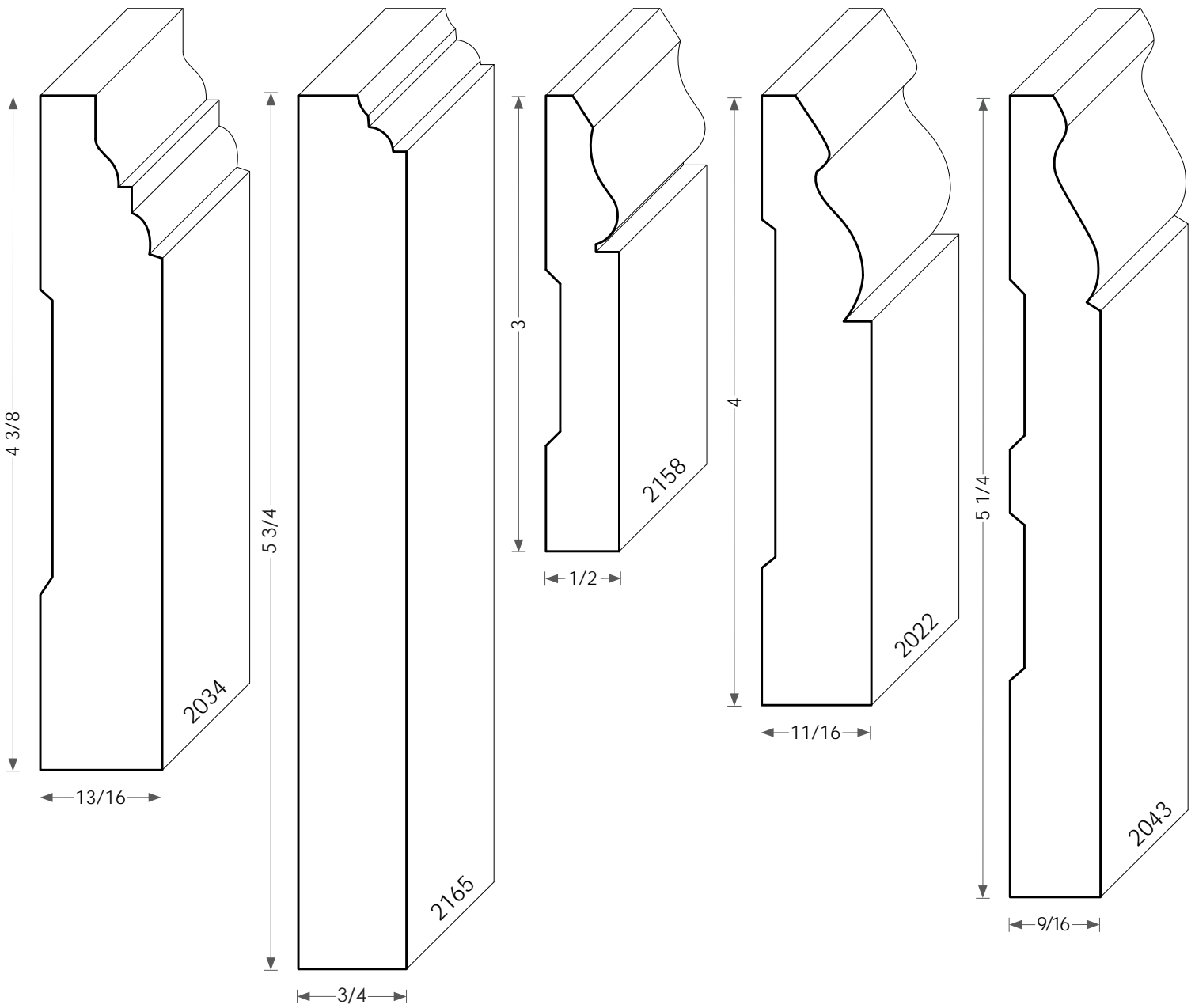




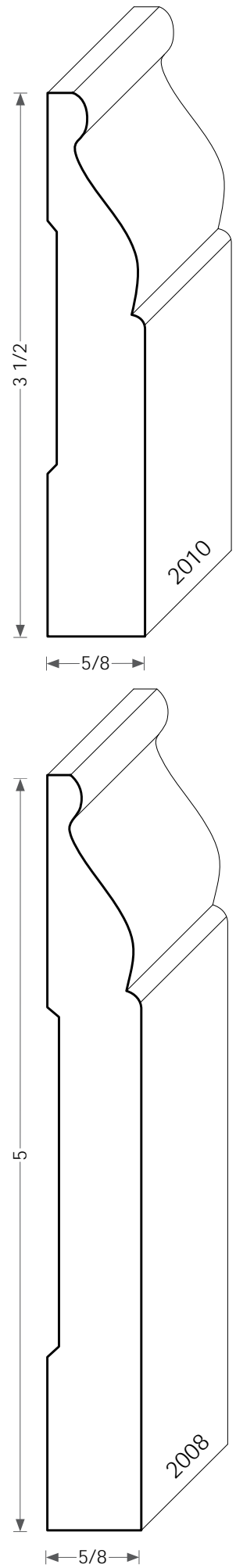
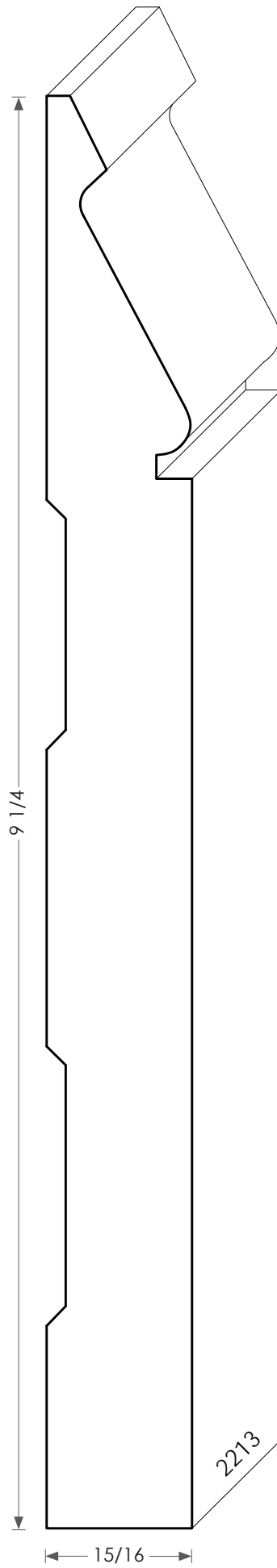
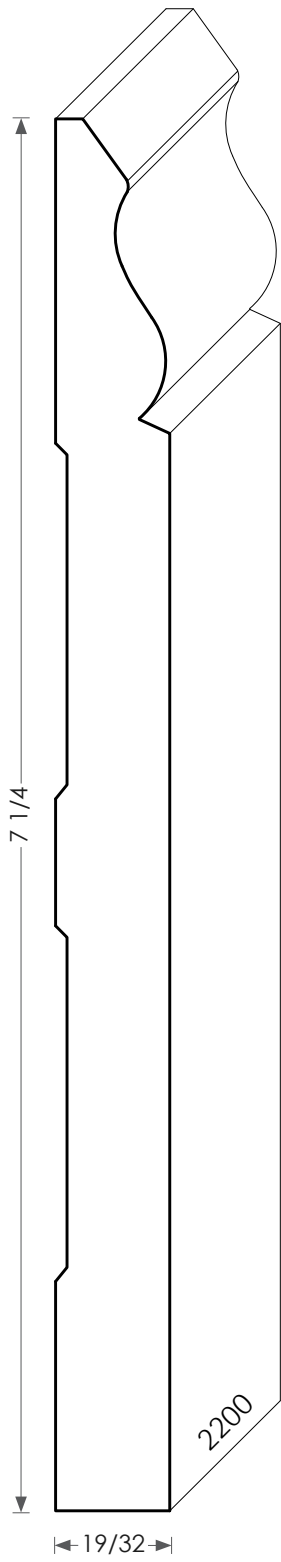
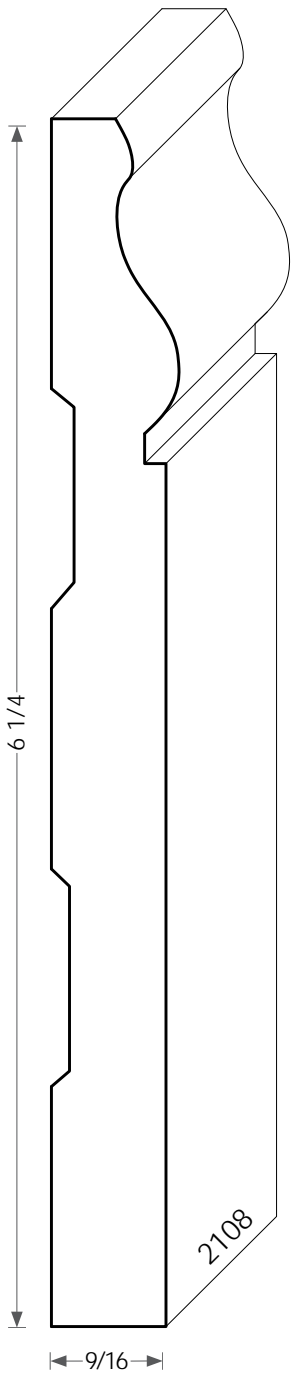
BASEBOARD



MOST BASEBOARDS CAN BE MODIFIED FOR HEIGHT.

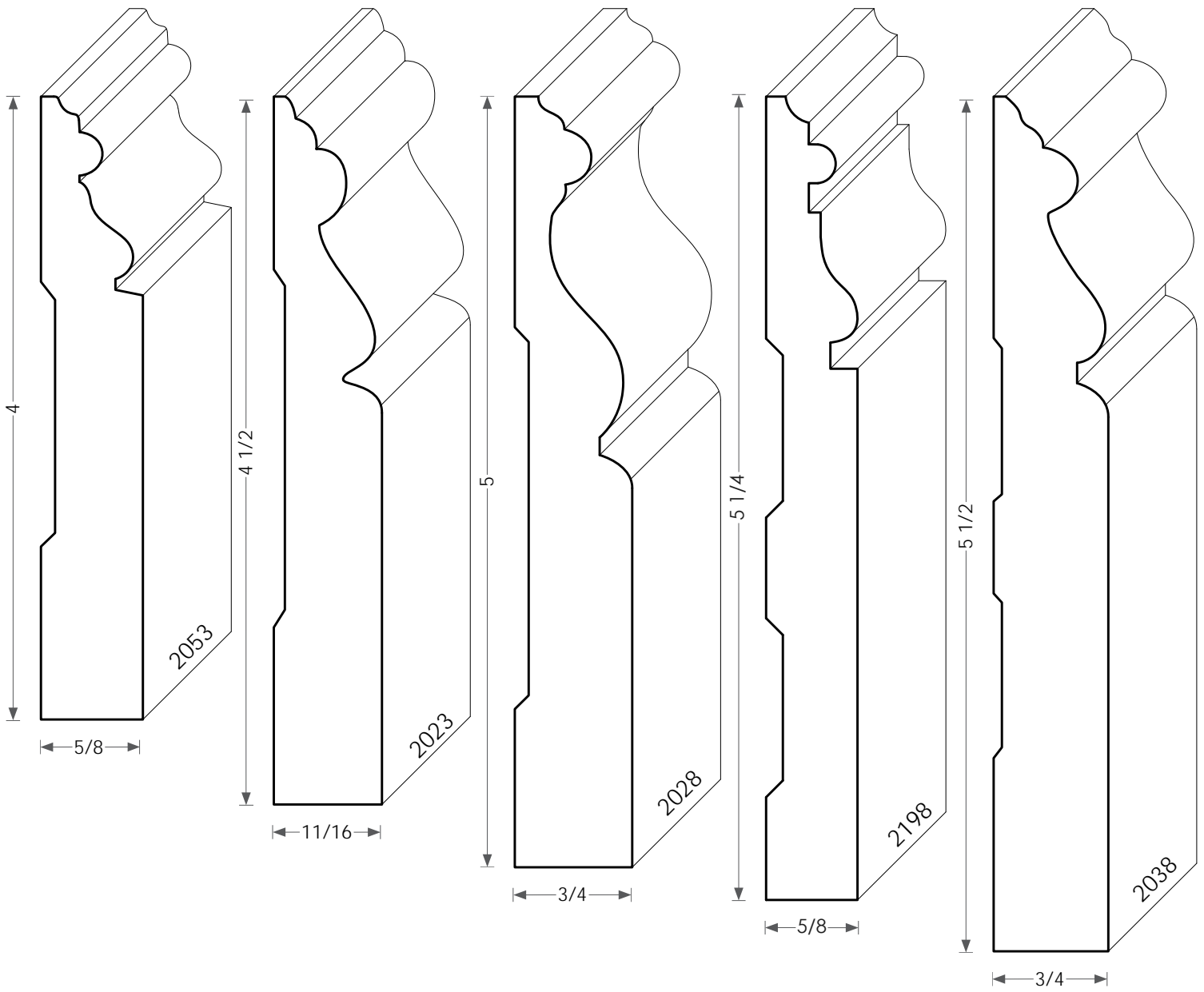


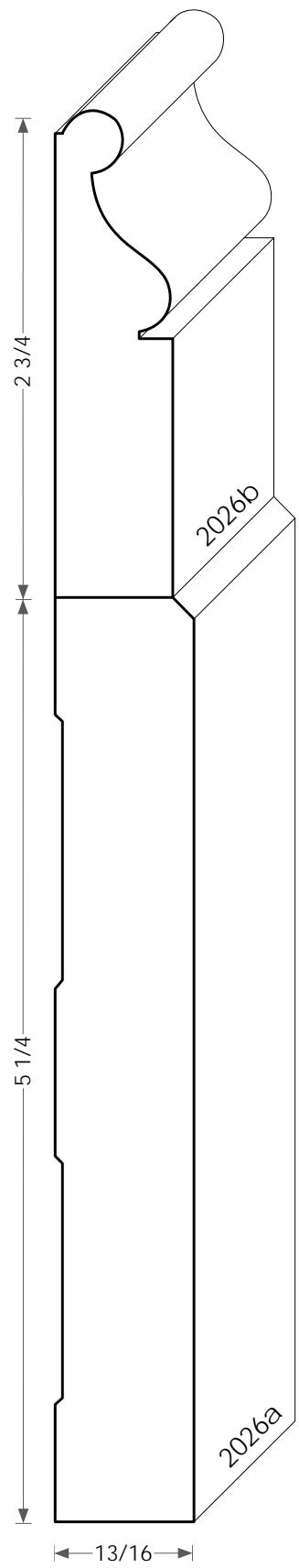
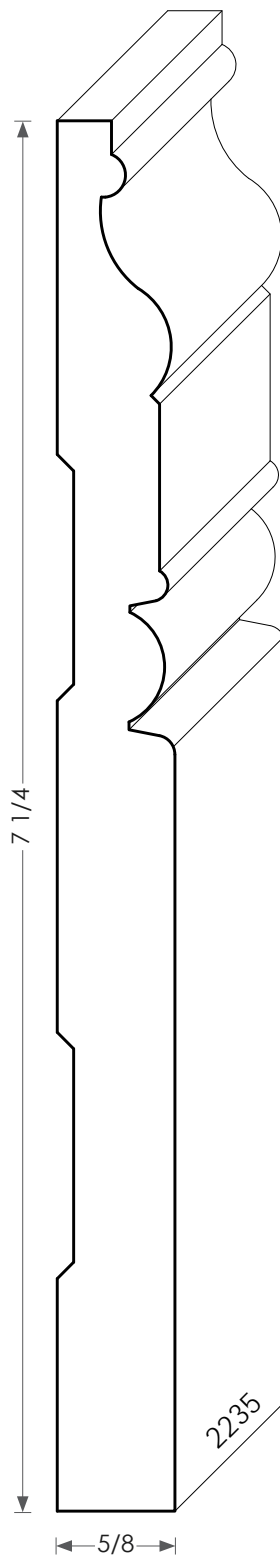
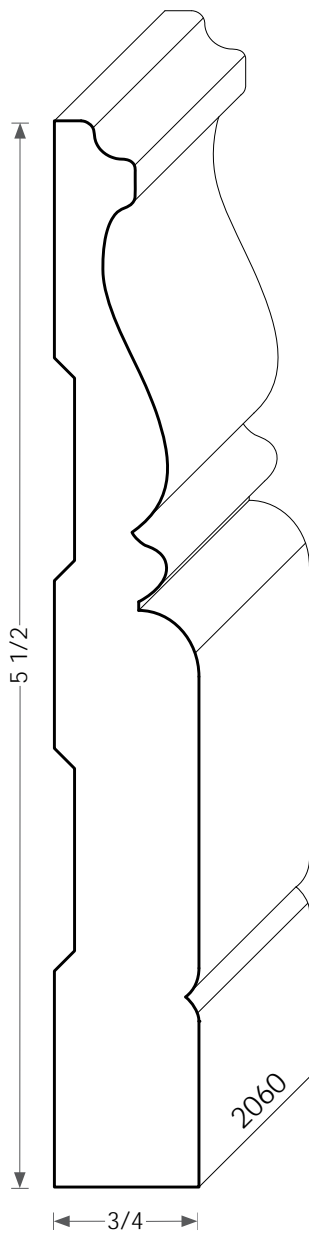
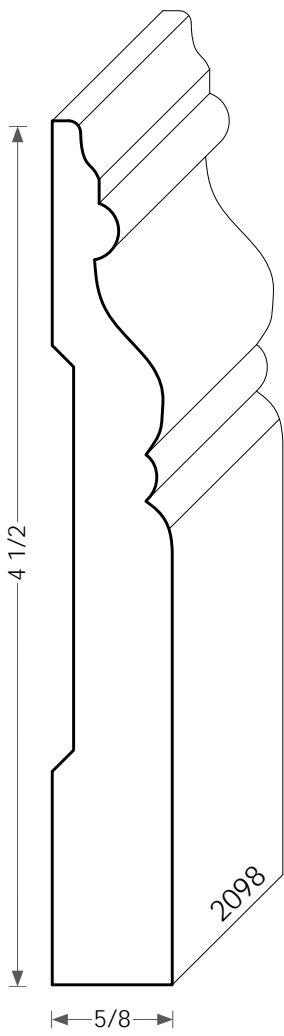
MOST BASEBOARDS CAN BE MODIFIED FOR HEIGHT.



BASEBOARD

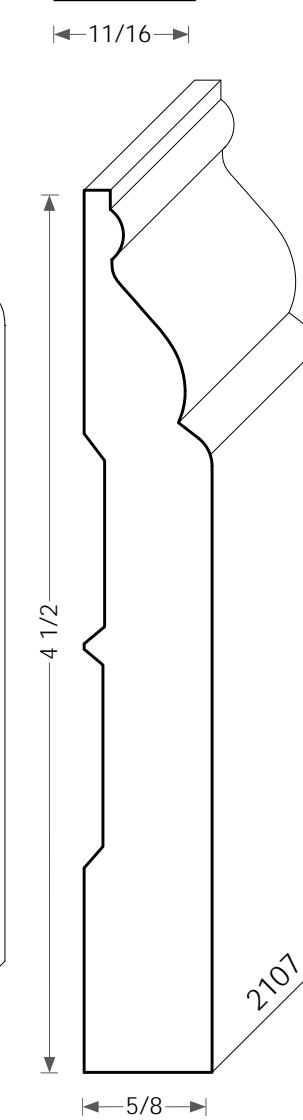
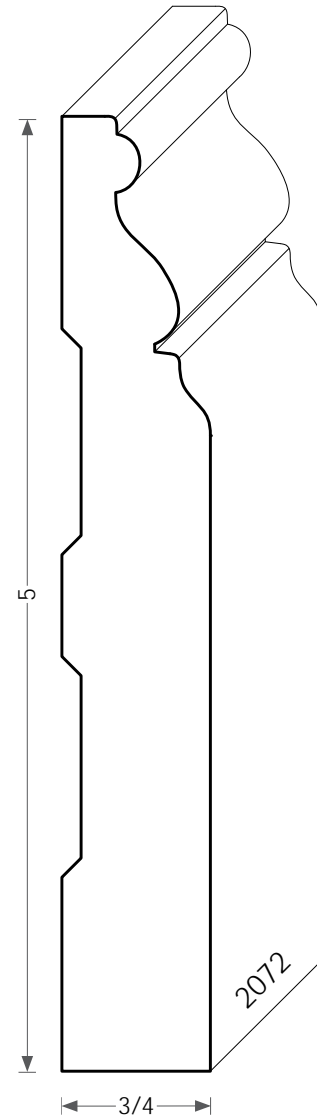
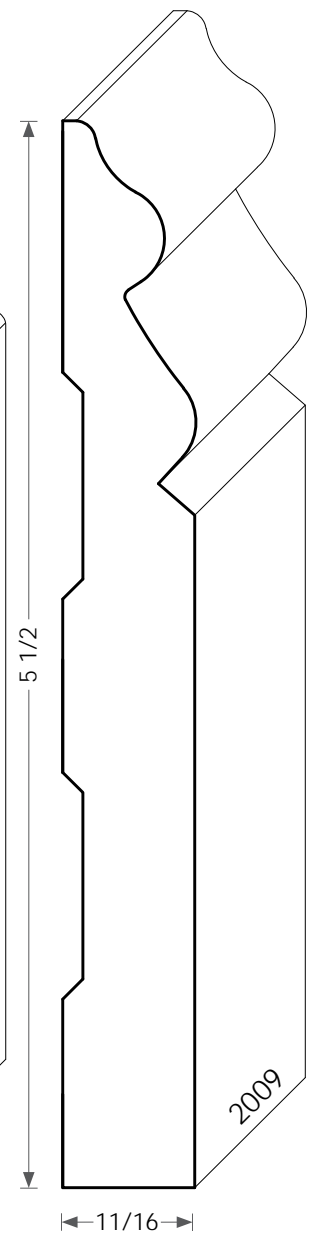
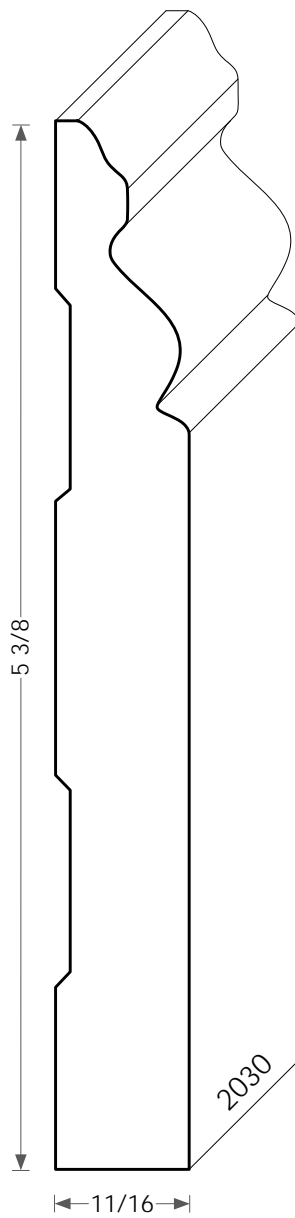
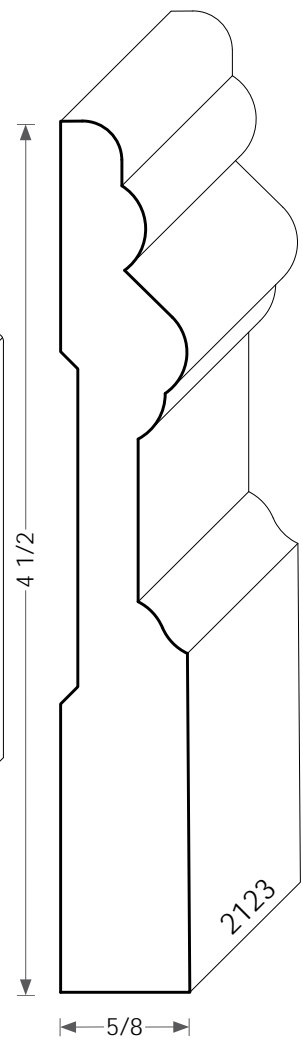
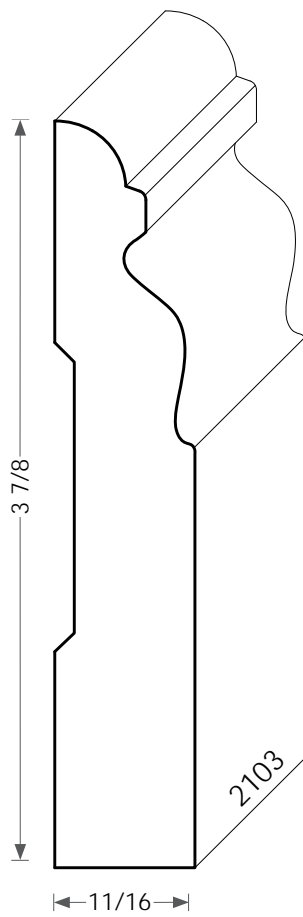
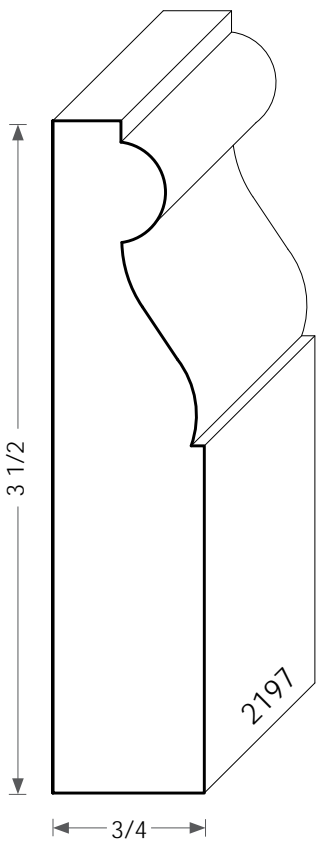




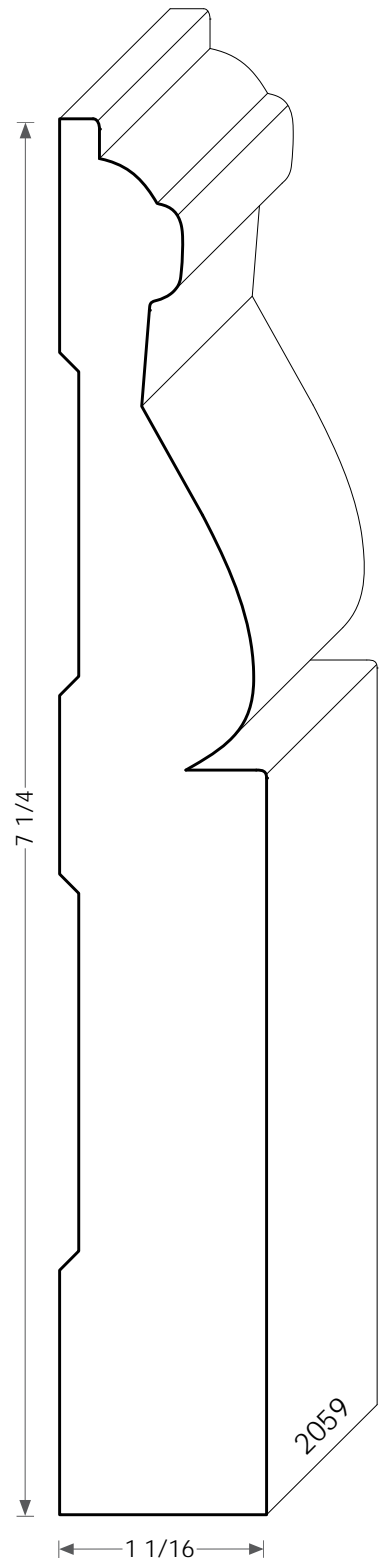
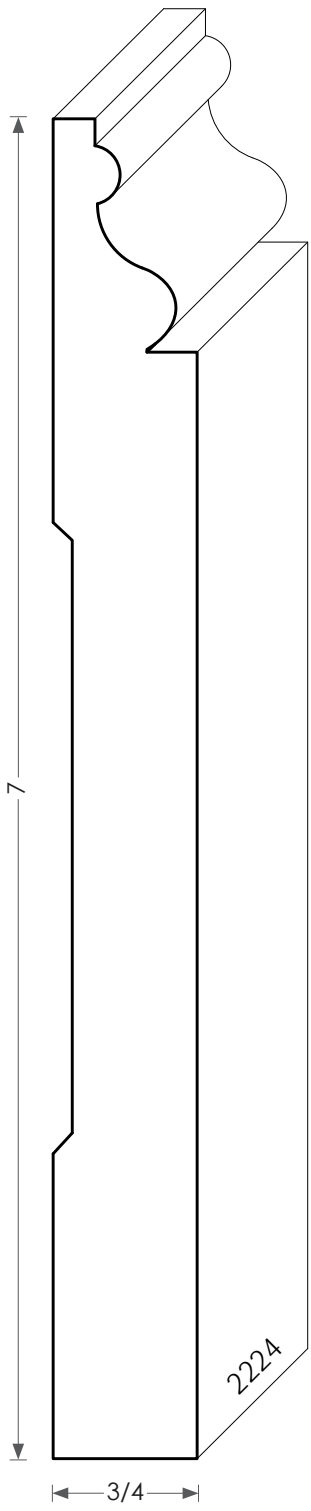
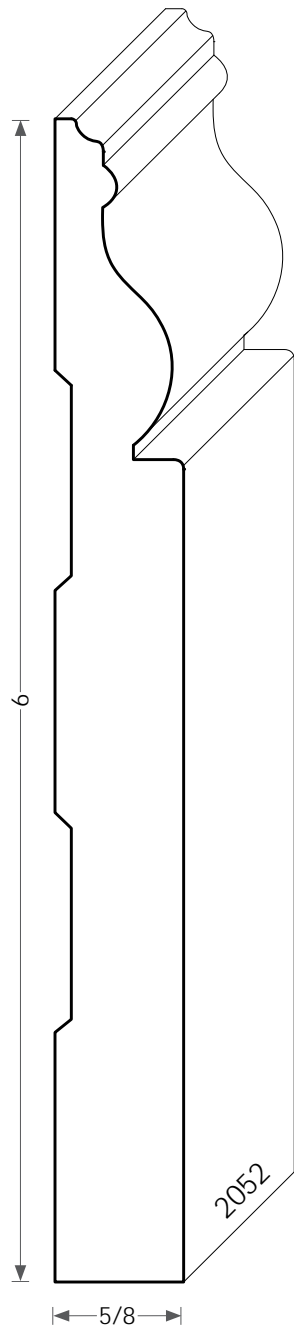
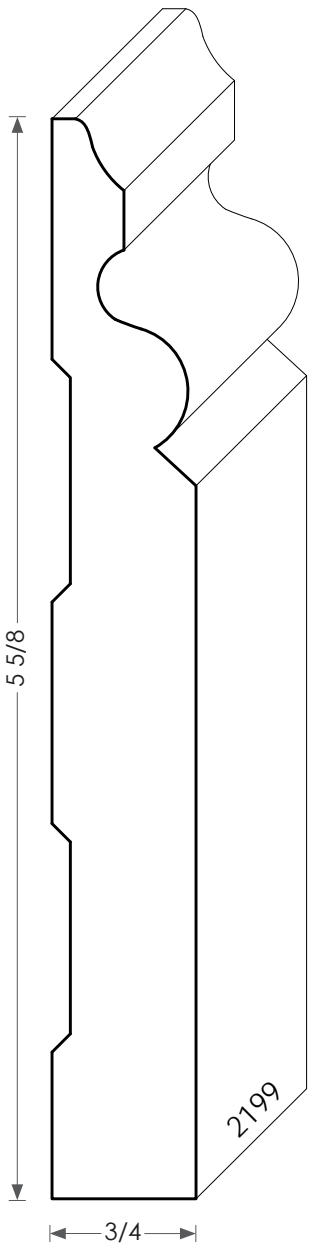


BASEBOARD

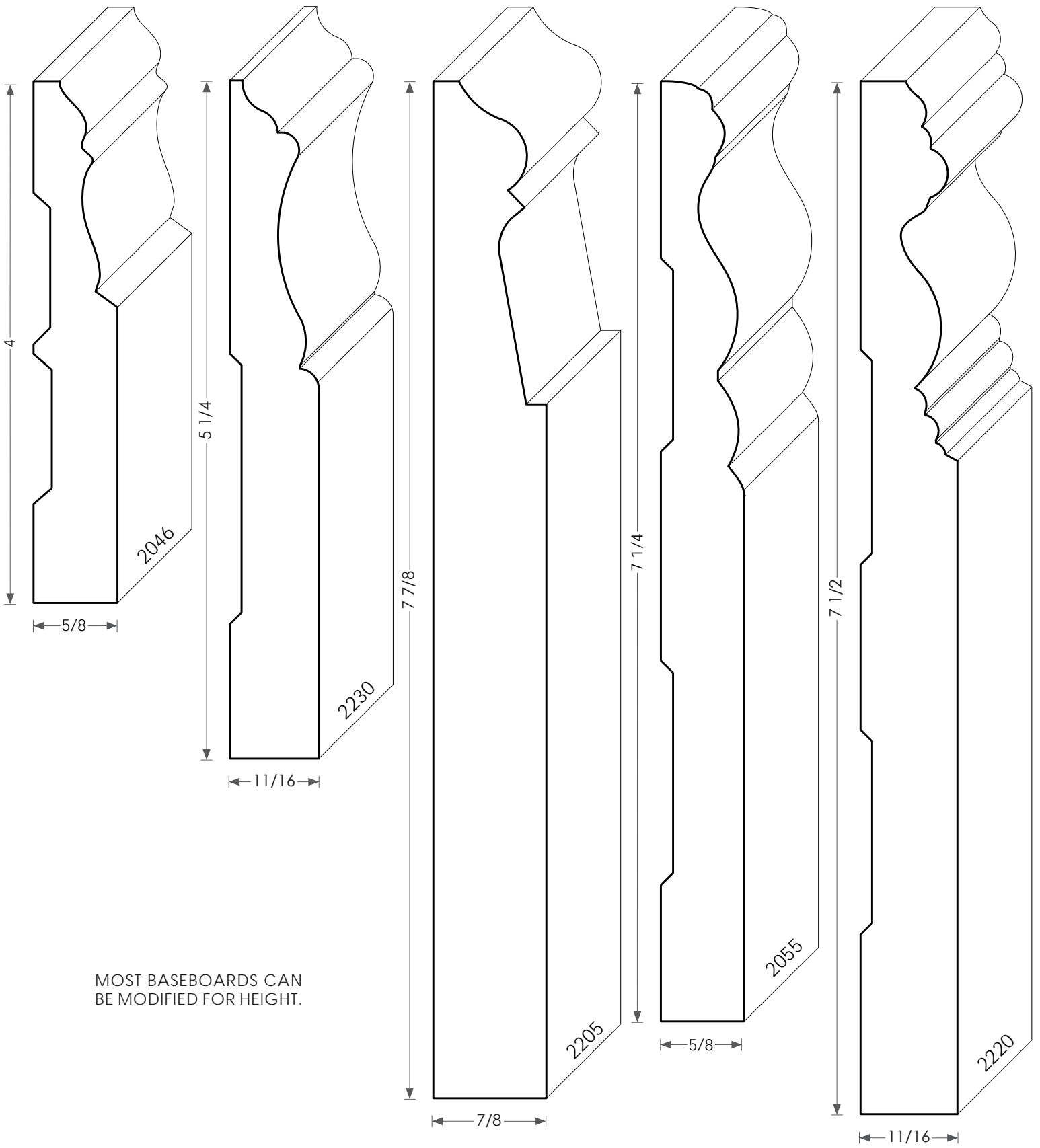
MOST BASEBOARDS CAN  
BE MODIFIED FOR HEIGHT.



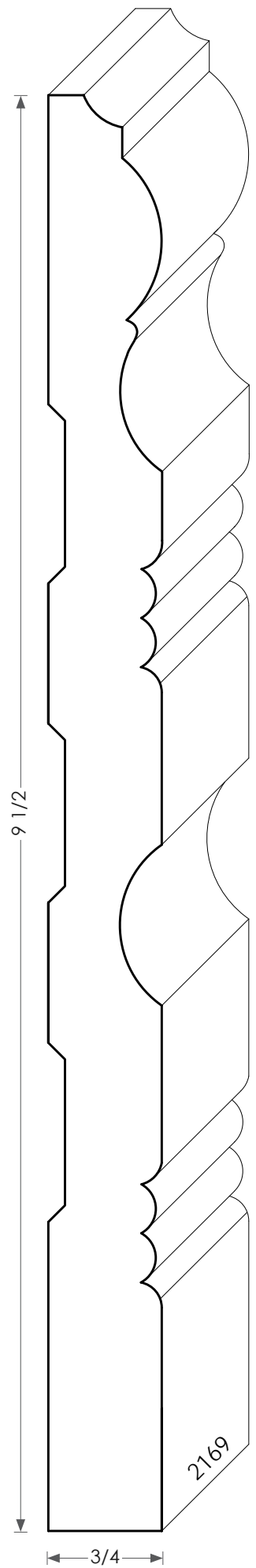
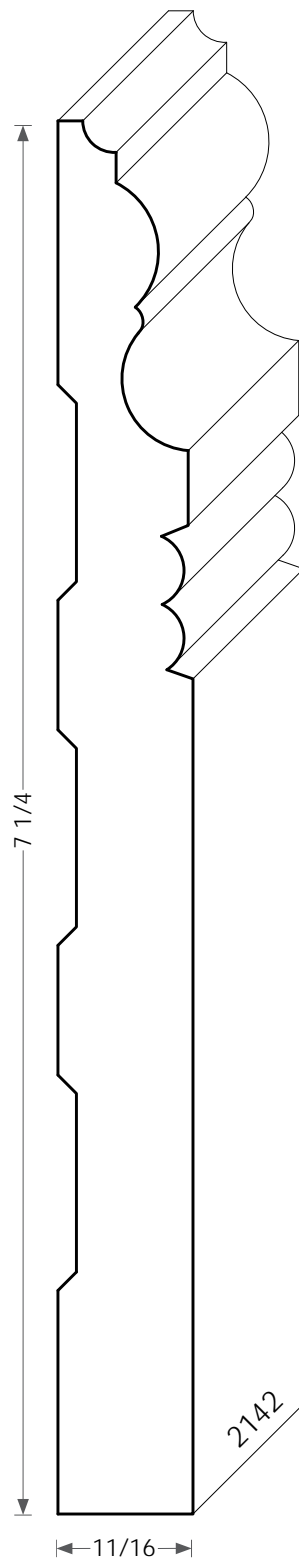
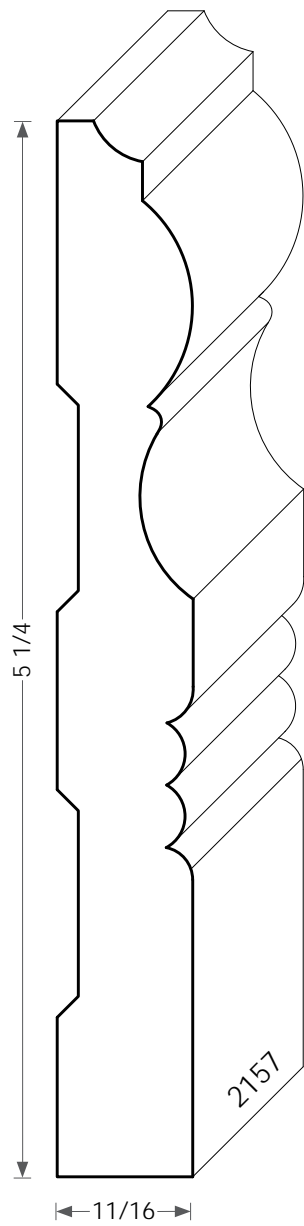
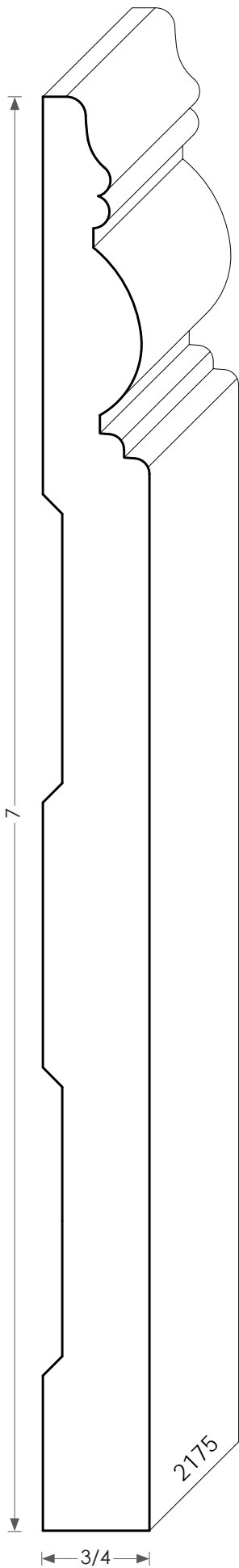
MOST BASEBOARDS CAN  
BE MODIFIED FOR HEIGHT.



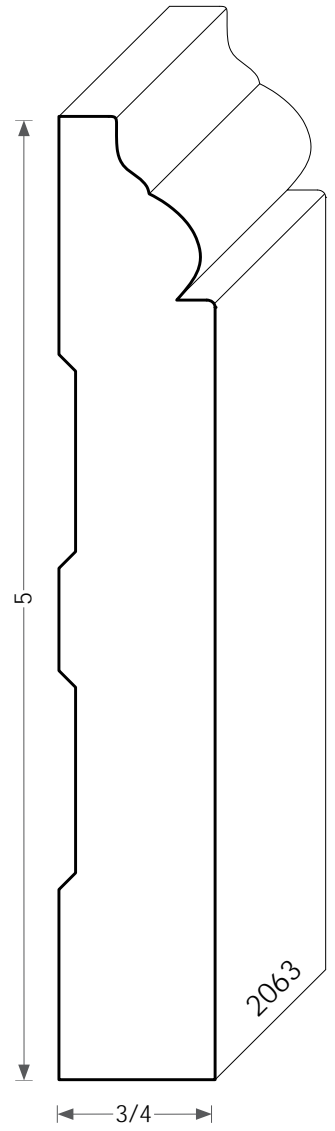
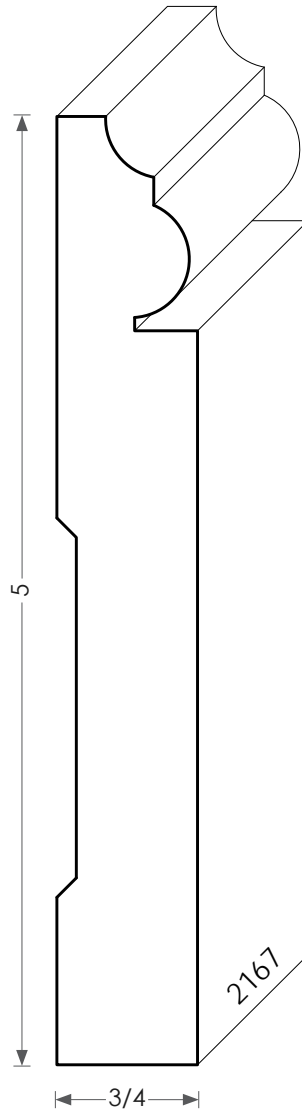
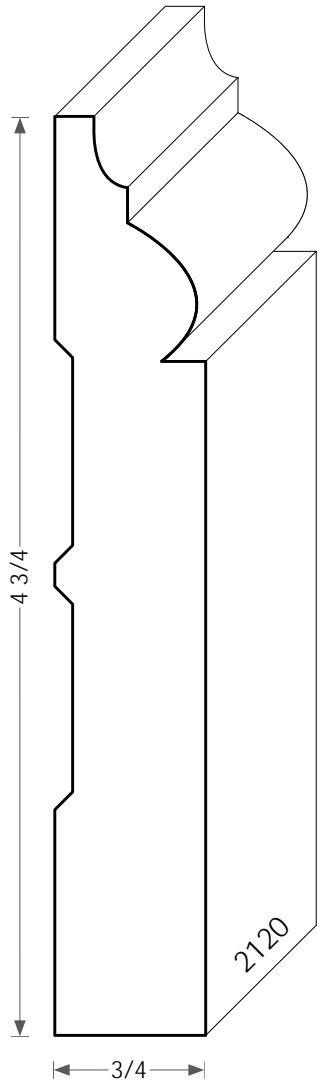
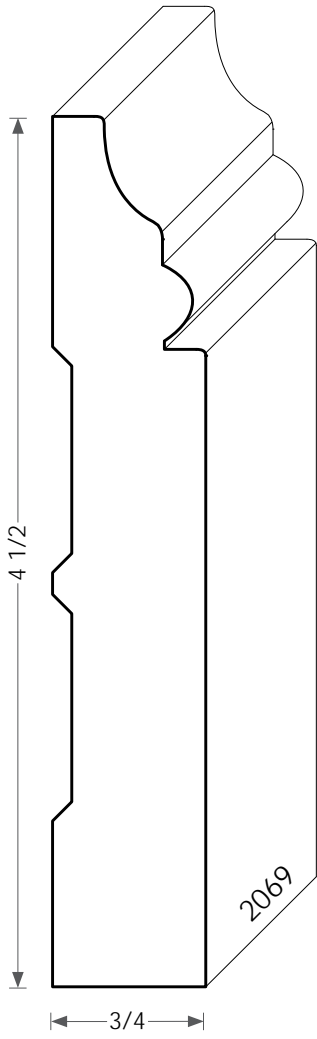
BASEBOARD



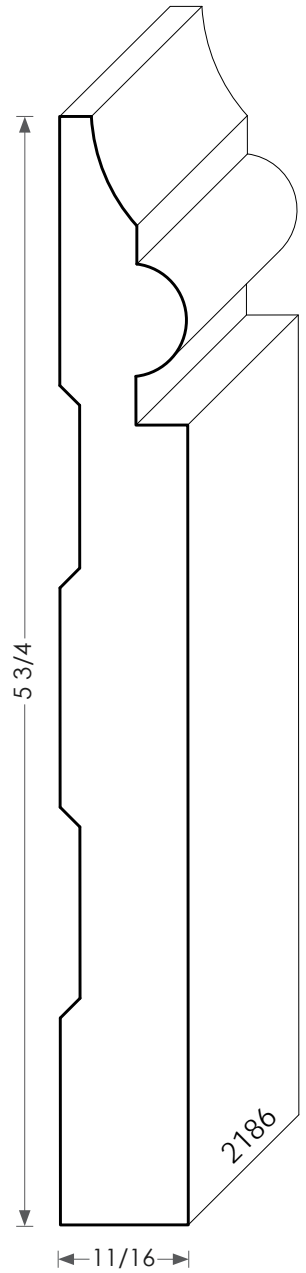
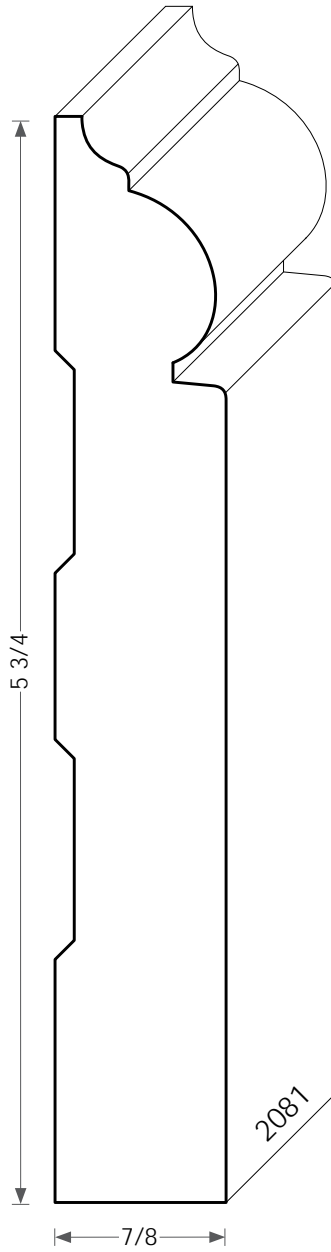
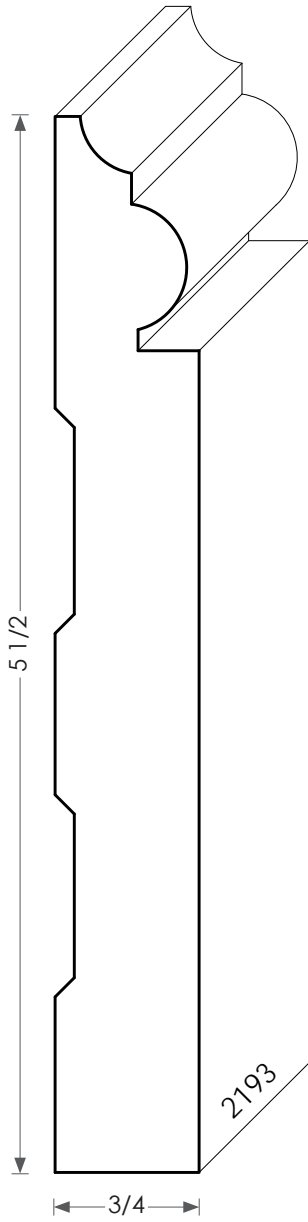
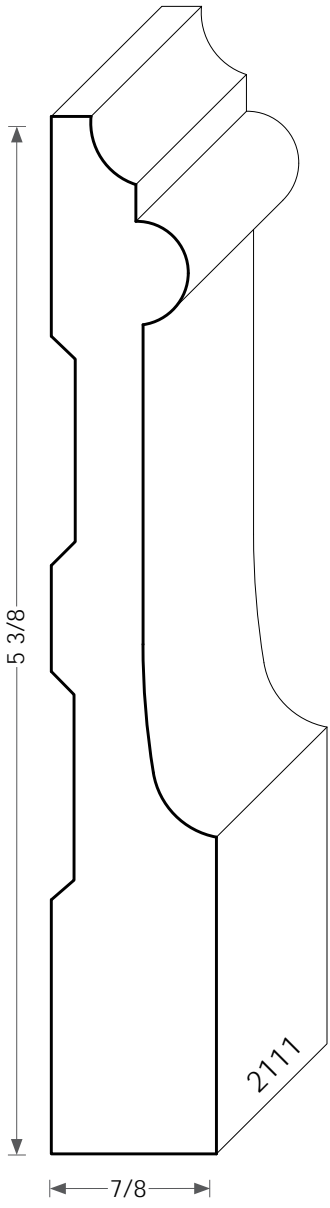
MOST BASEBOARDS CAN BE MODIFIED FOR HEIGHT.



BASEBOARD

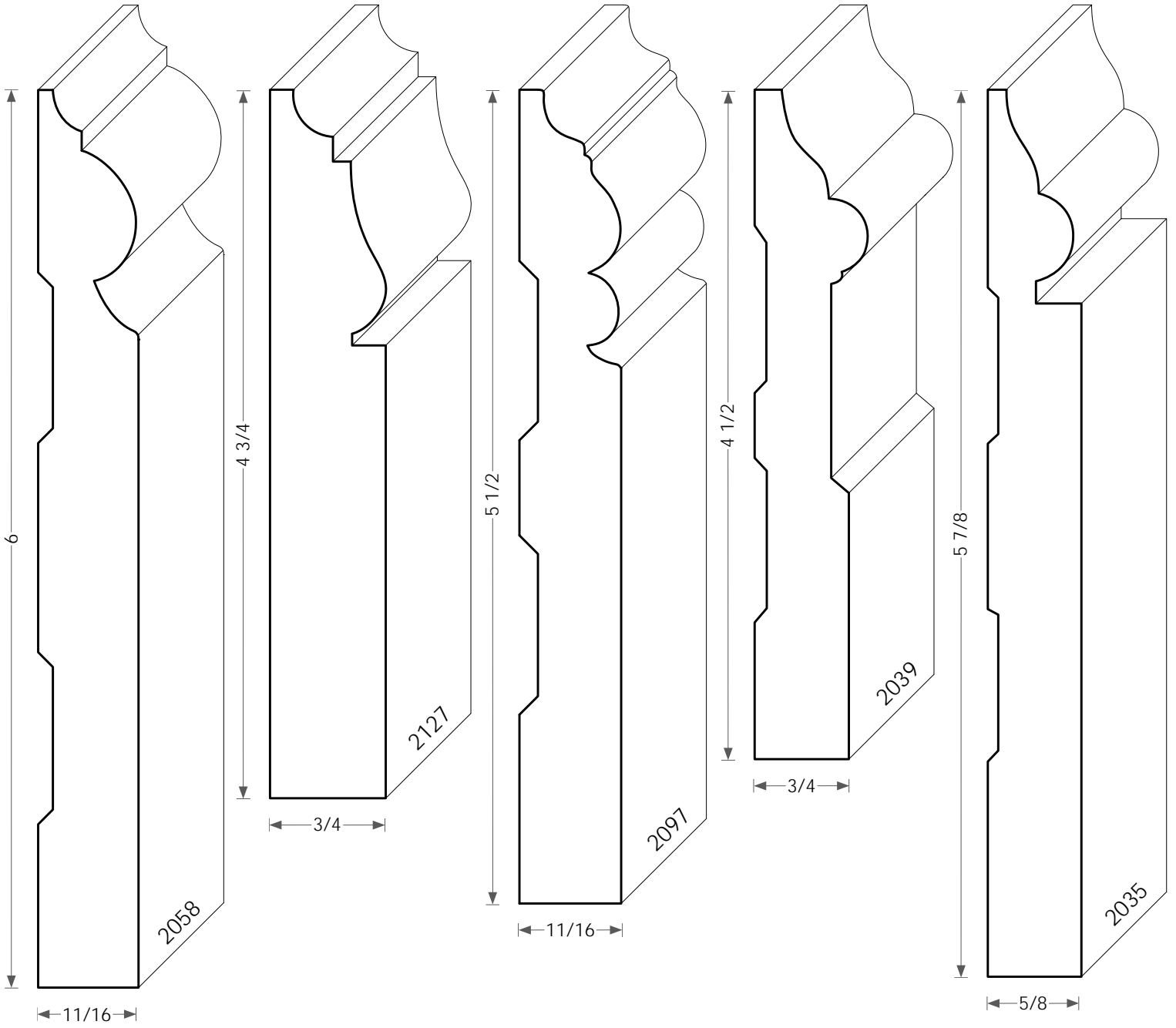


BASEBOARD

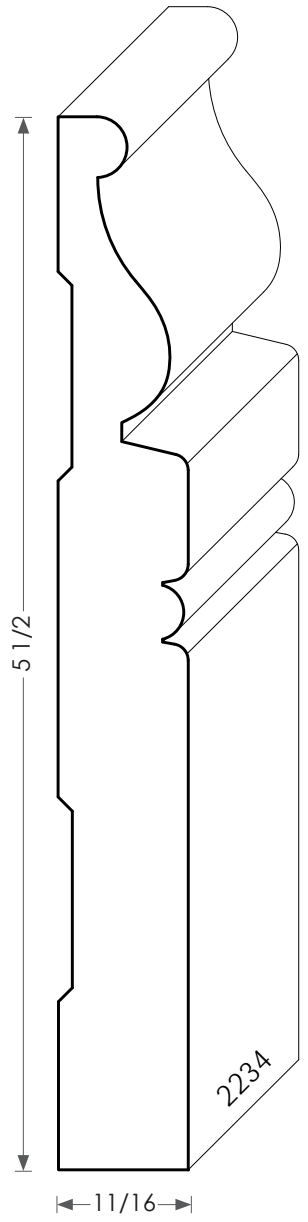
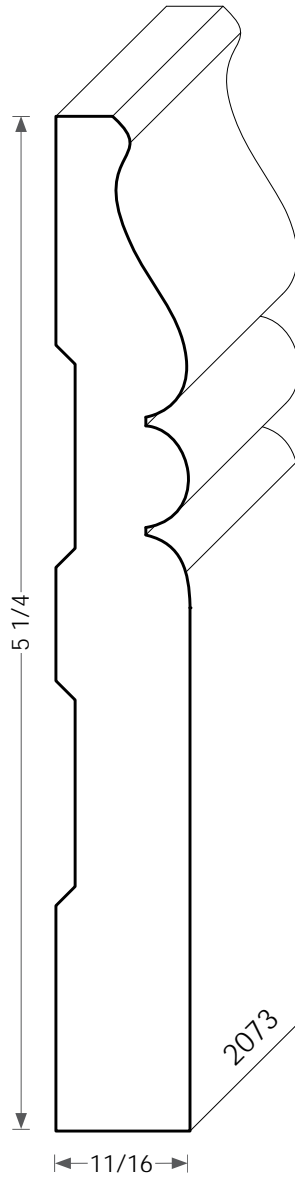
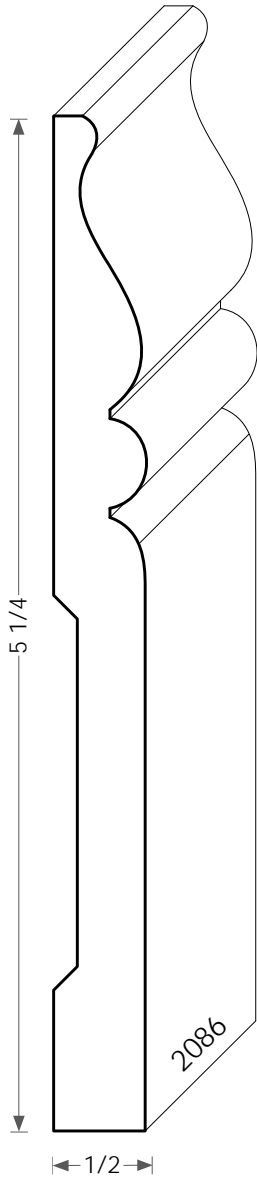
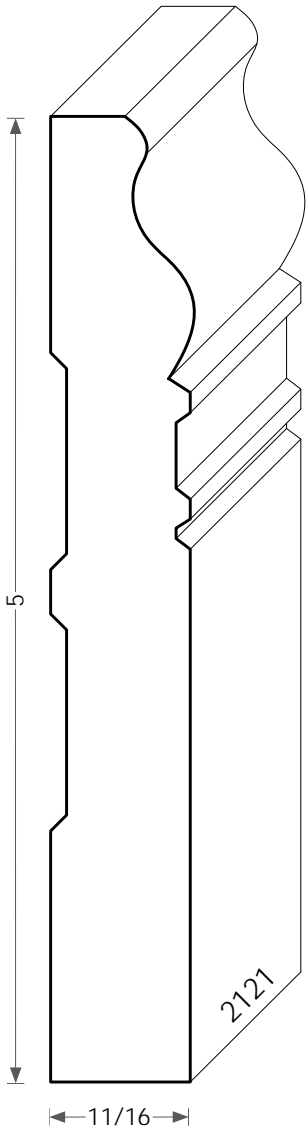


MOST BASEBOARDS CAN  
BE MODIFIED FOR HEIGHT.

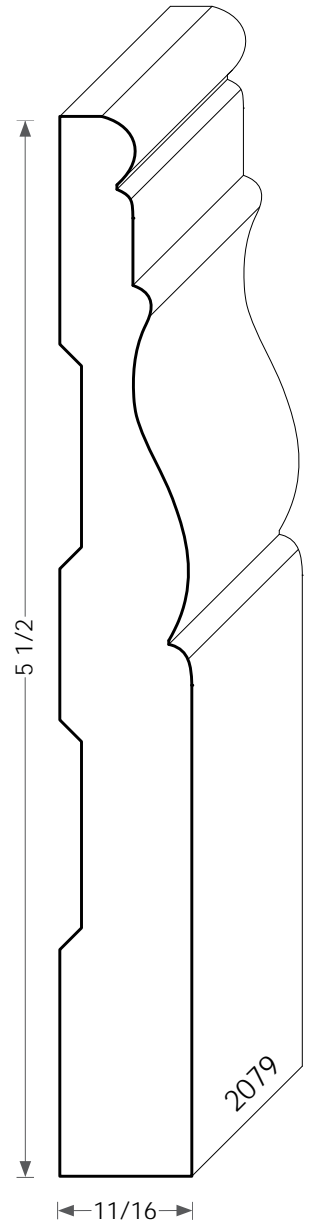
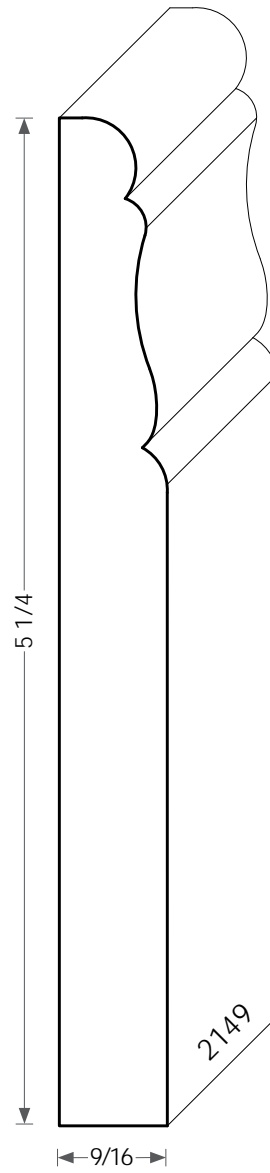
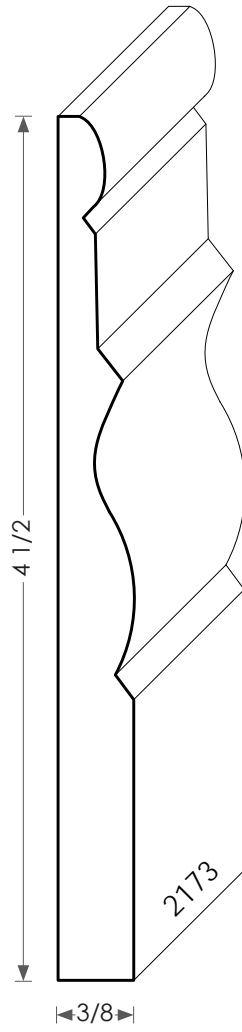
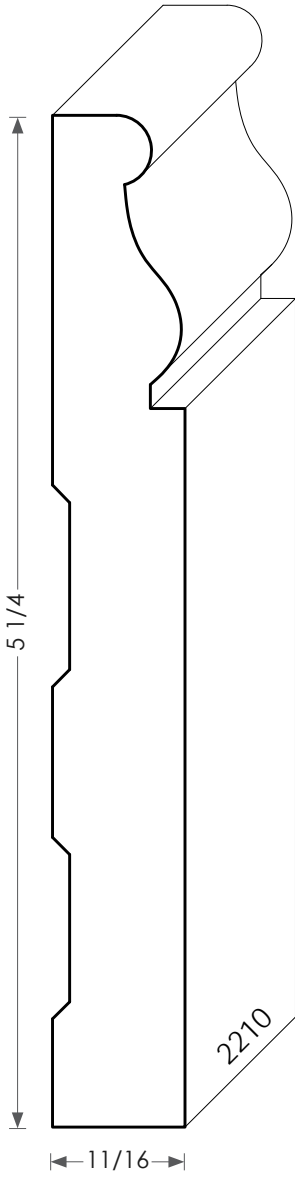
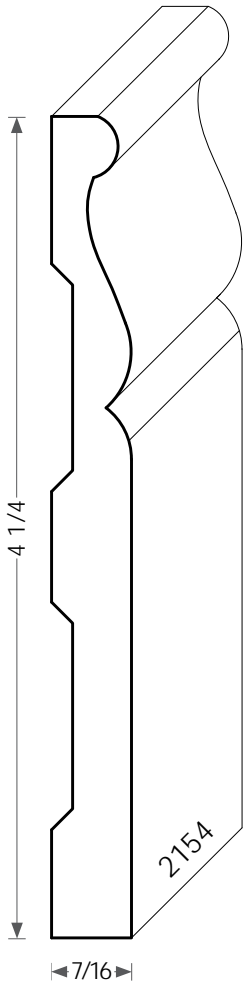




BASEBOARD

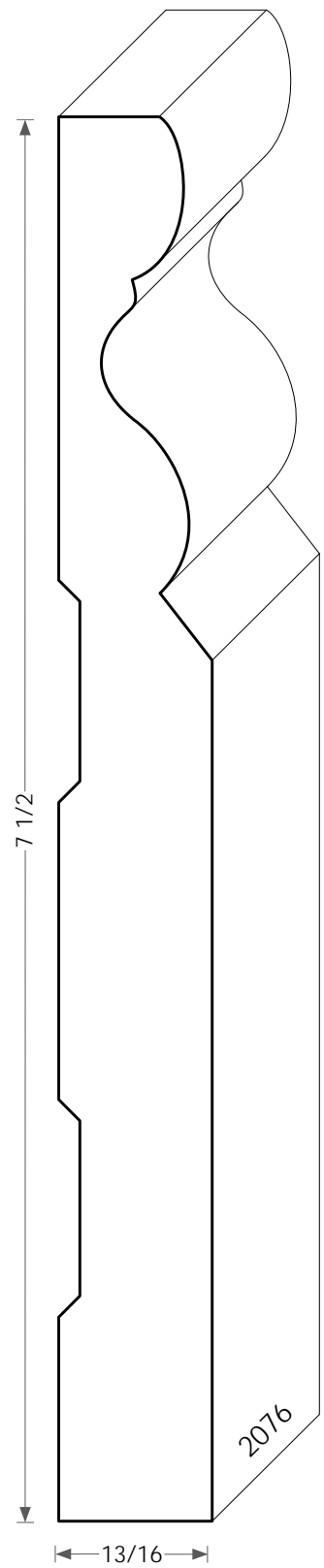
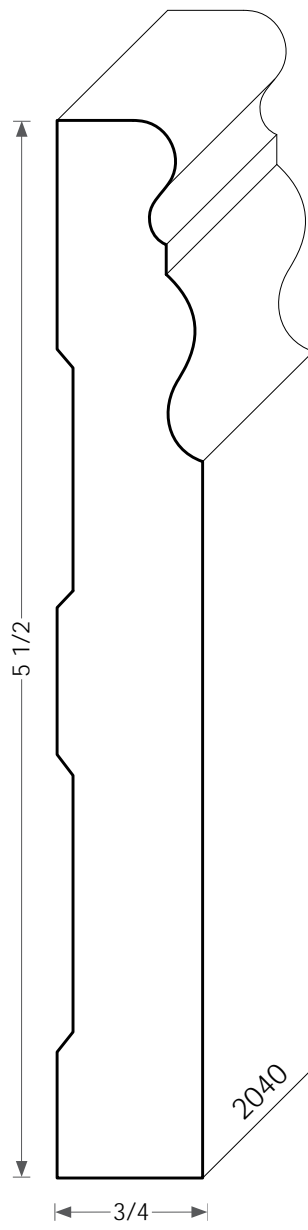
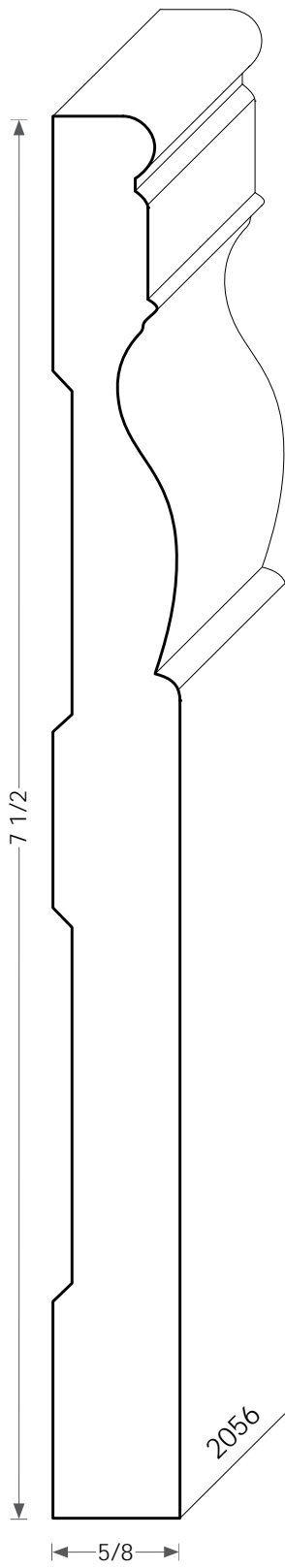
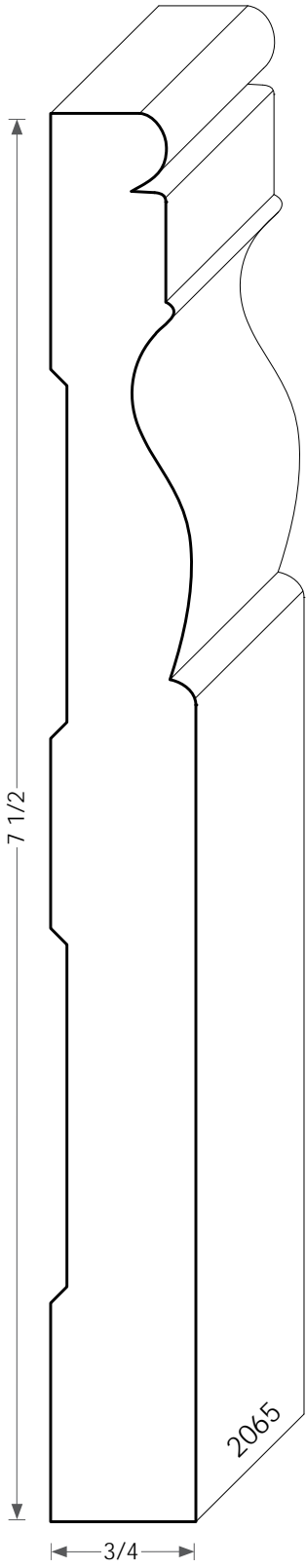


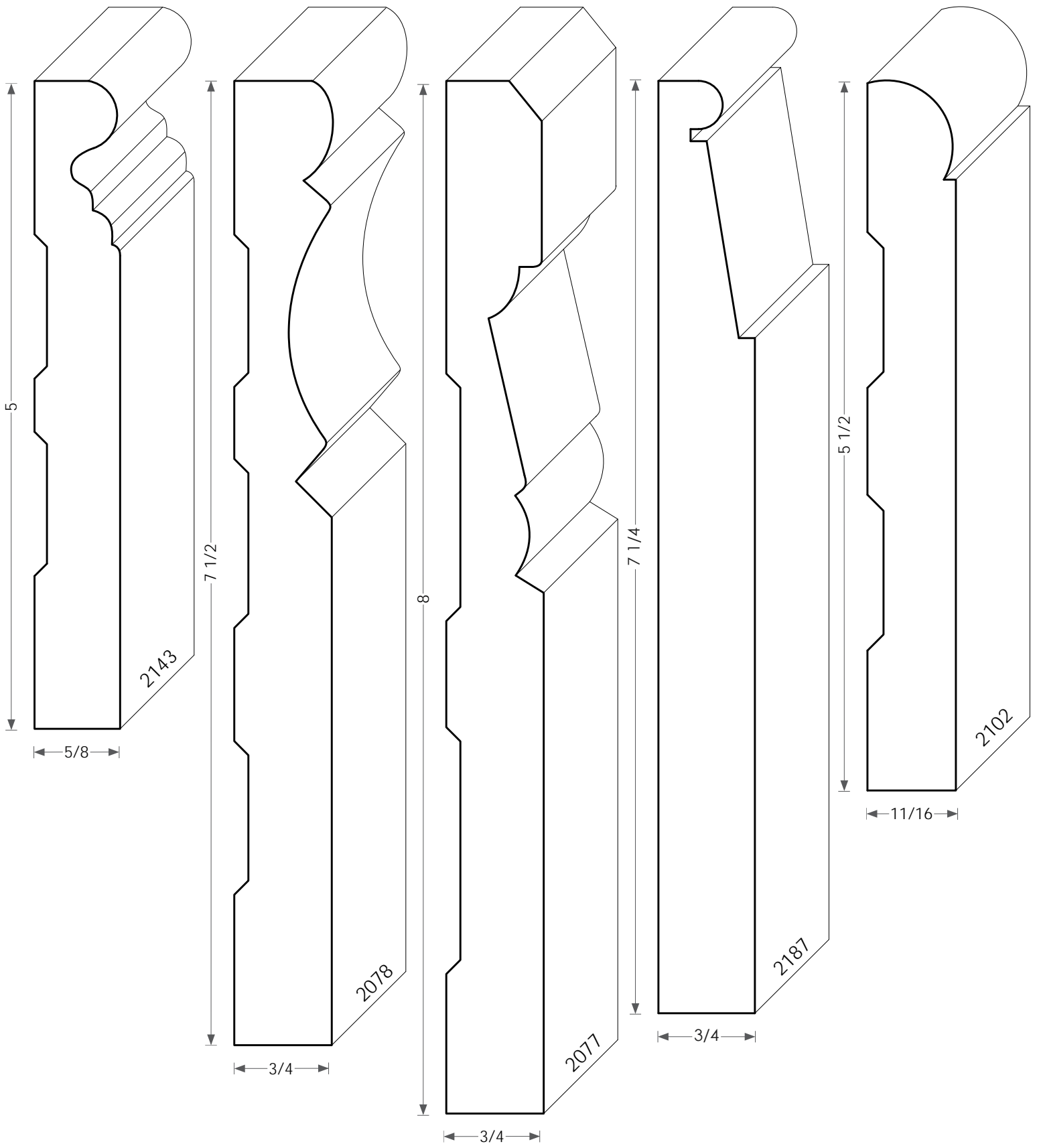
MOST BASEBOARDS CAN  
BE MODIFIED FOR HEIGHT.



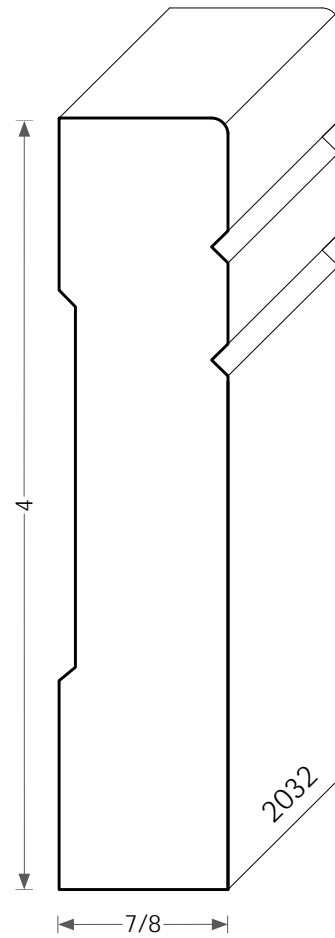
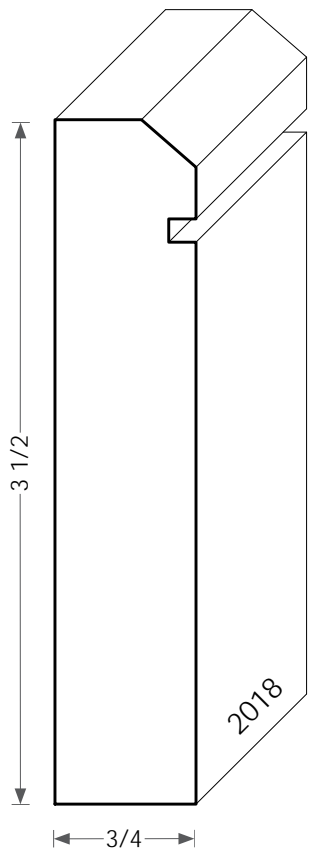
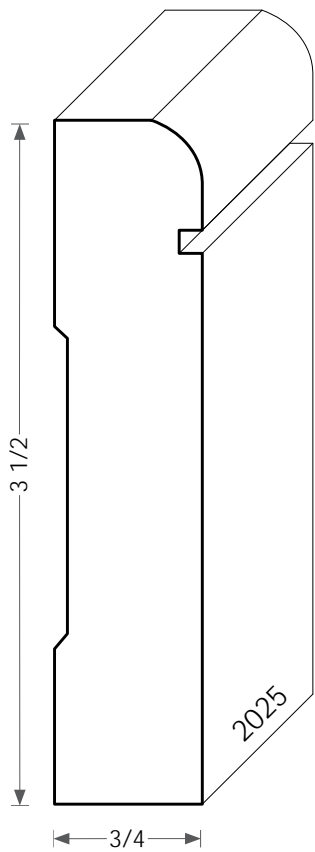
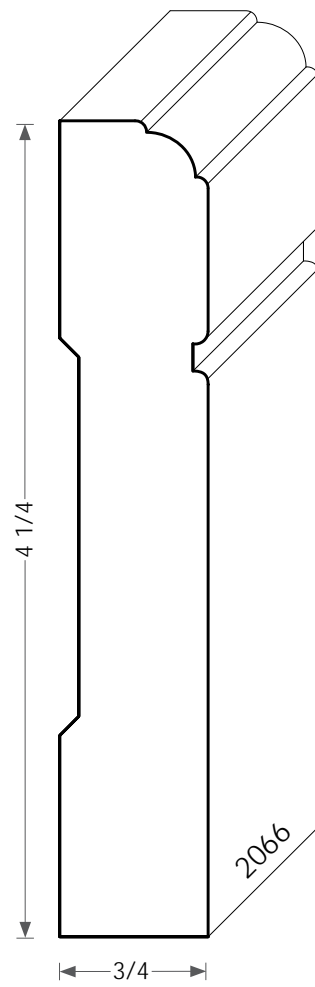
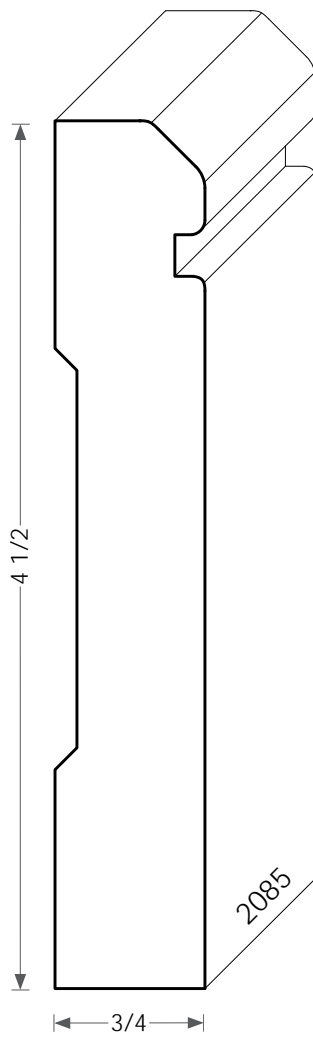
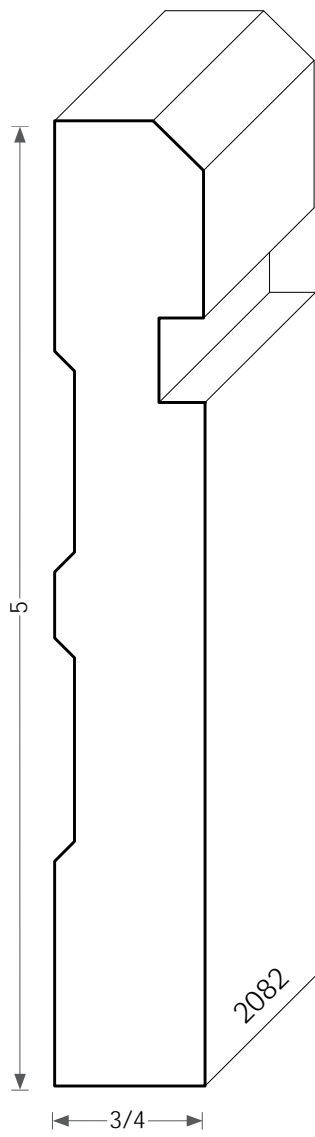
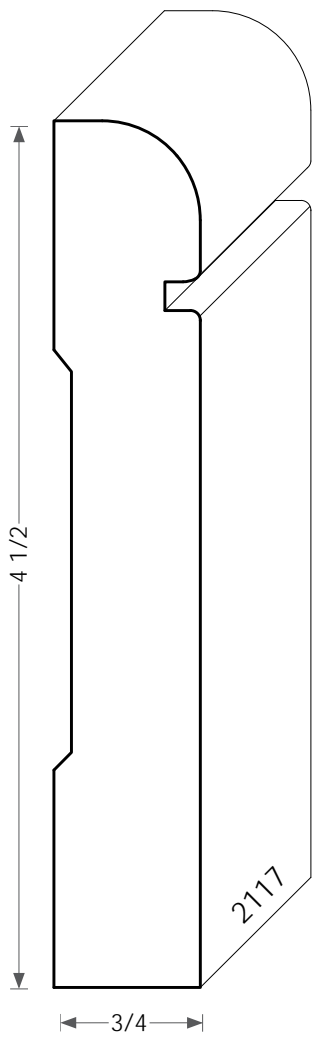
MOST BASEBOARDS CAN  
BE MODIFIED FOR HEIGHT.

BASEBOARD

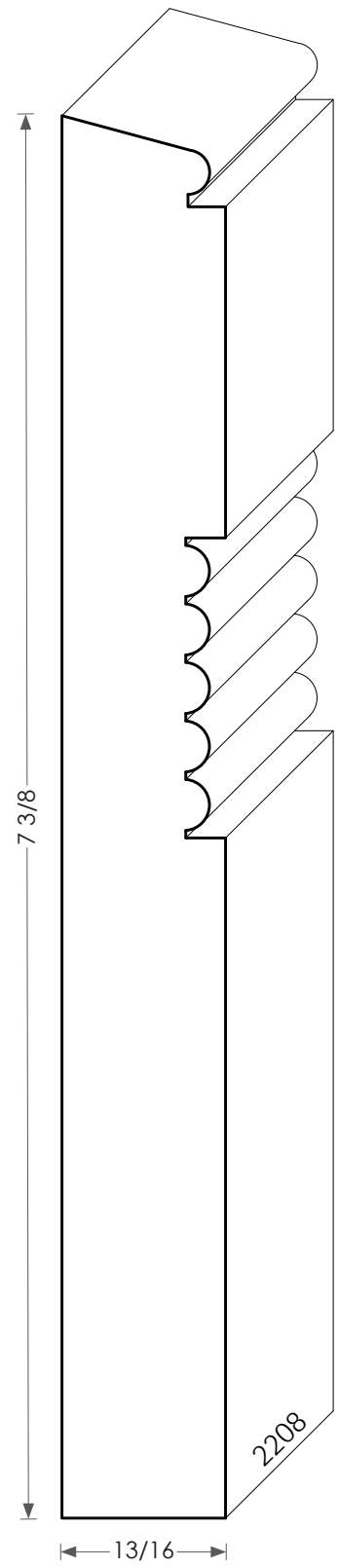
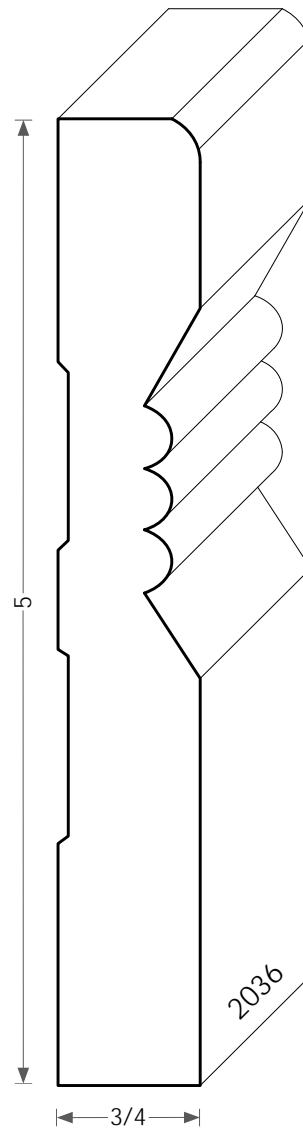
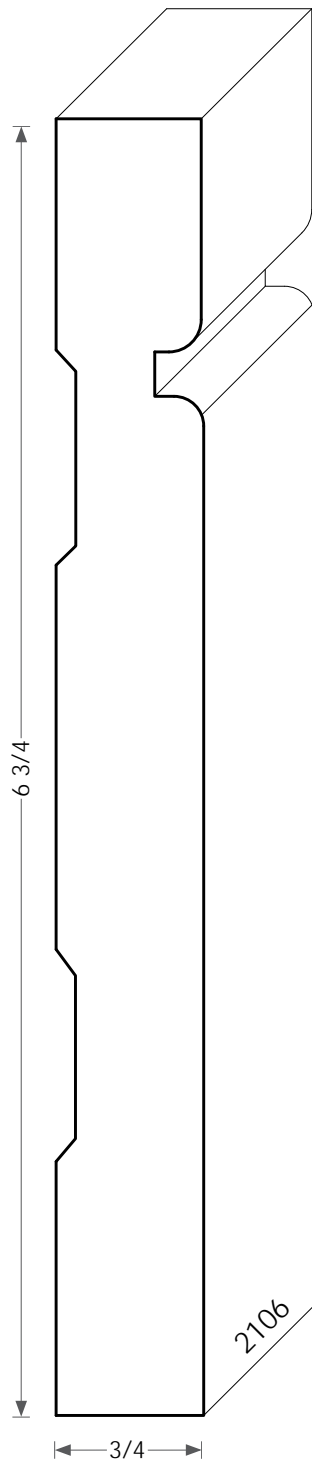
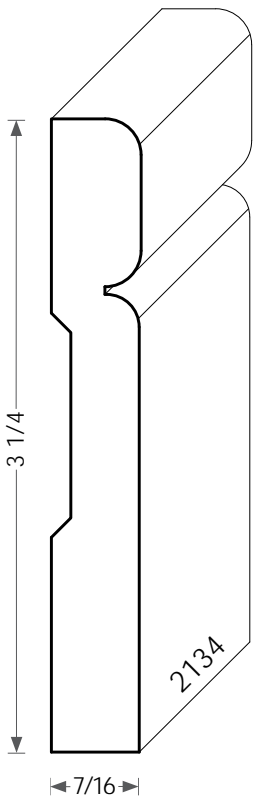




MOST BASEBOARDS CAN BE MODIFIED FOR HEIGHT.

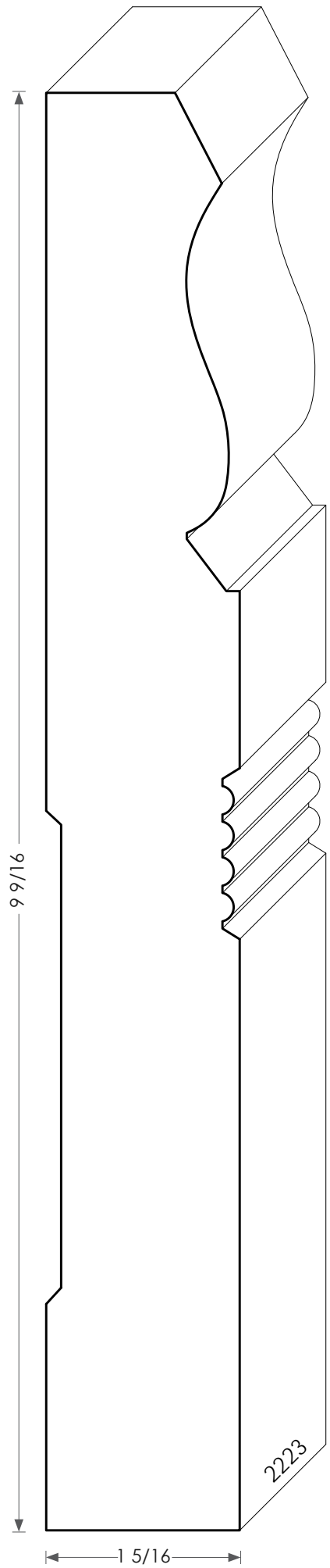
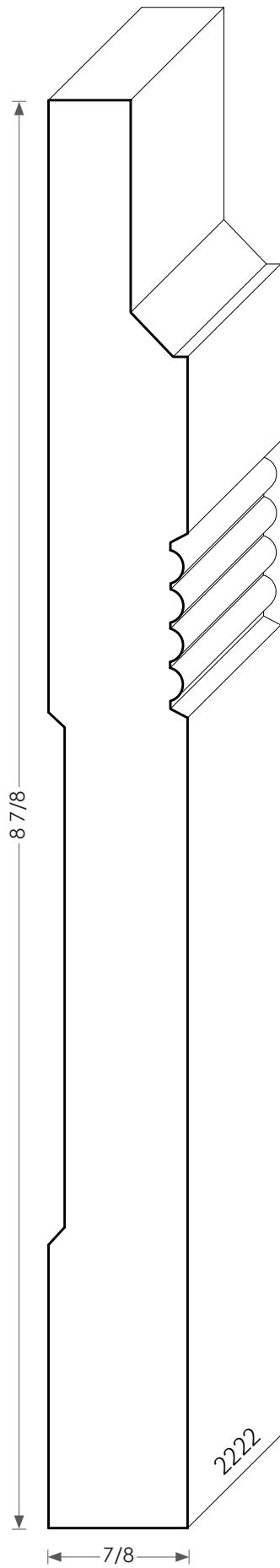
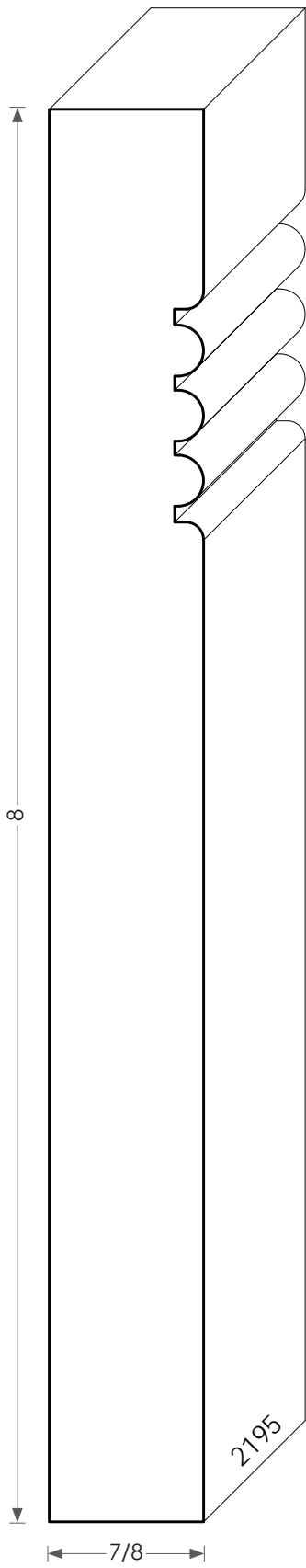


BASEBOARD

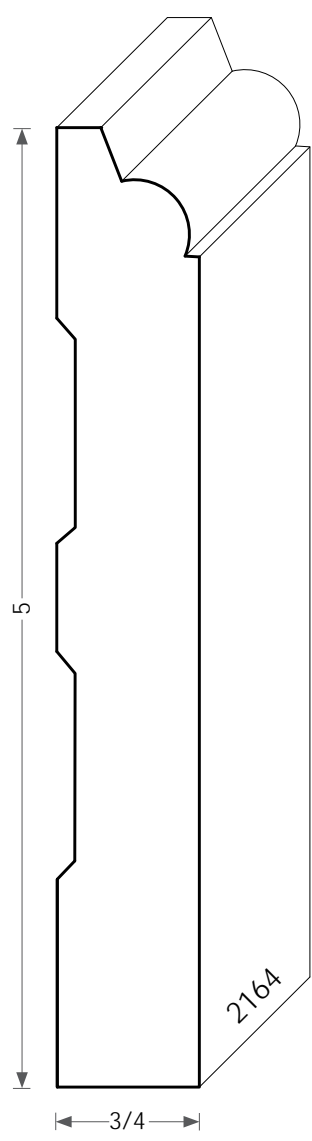
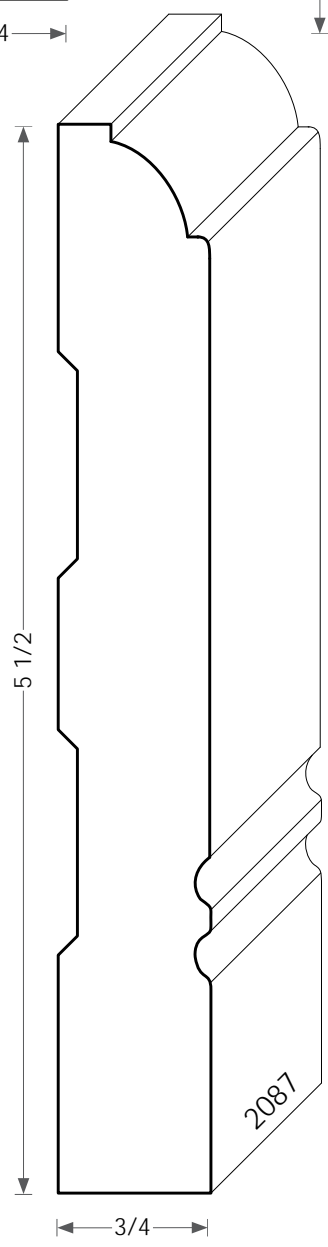
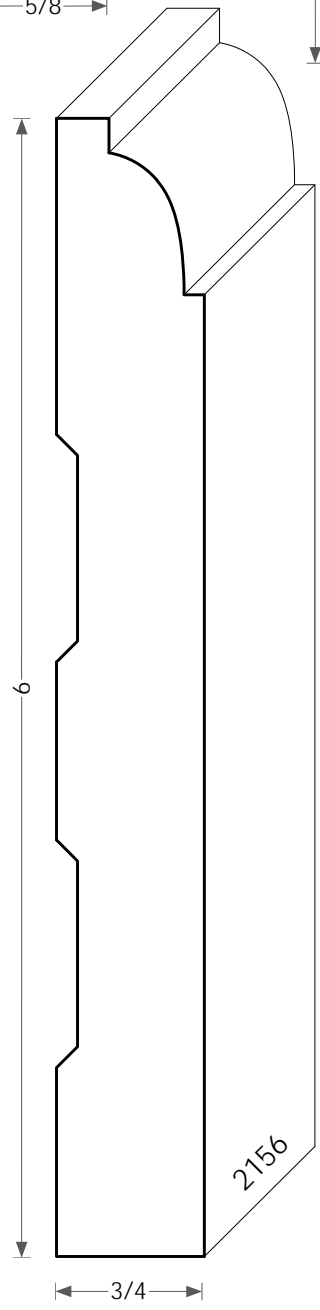
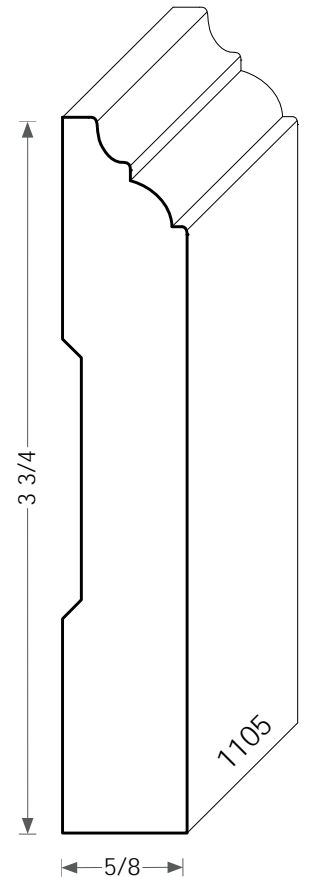
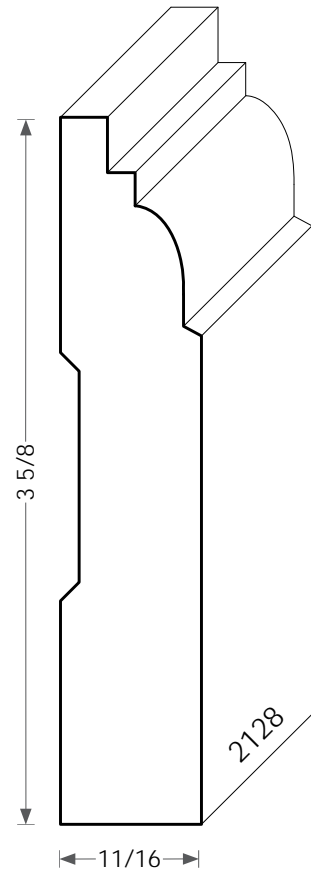
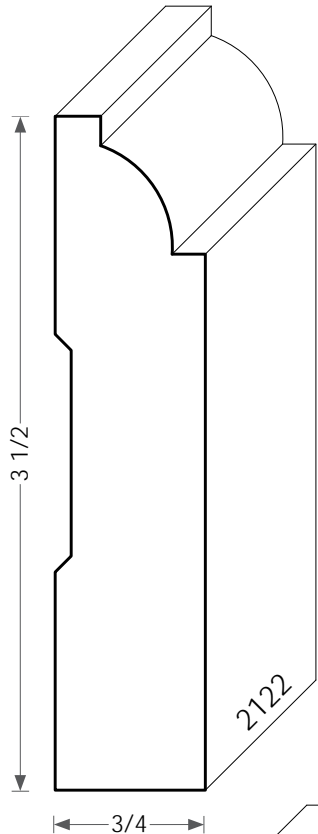
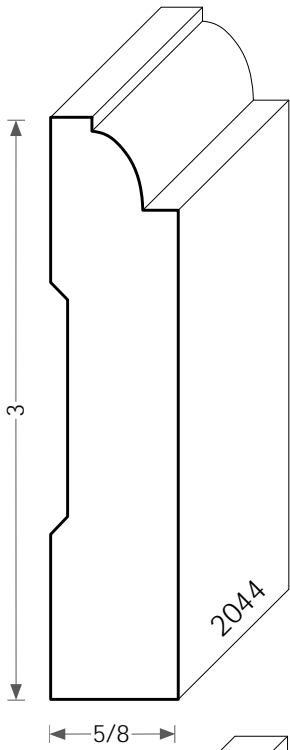


MOST BASEBOARDS CAN  
BE MODIFIED FOR HEIGHT.

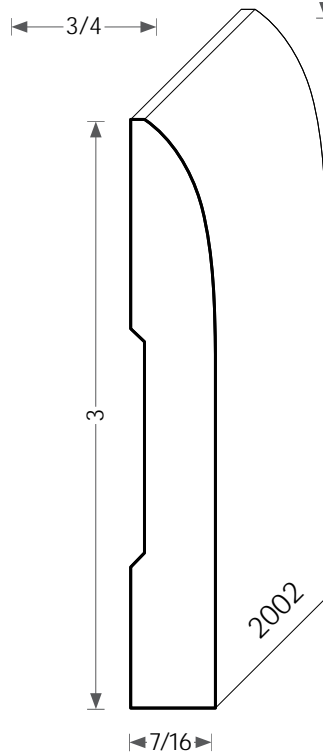
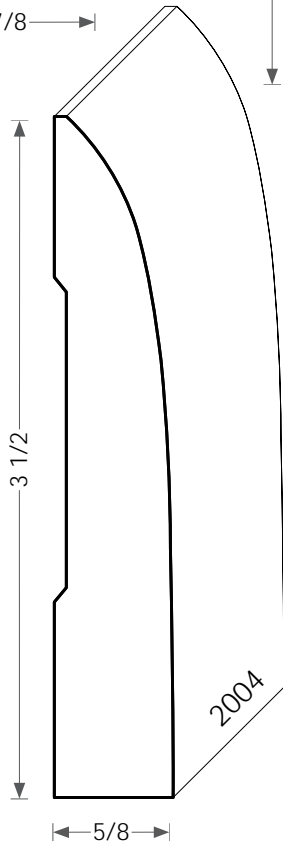
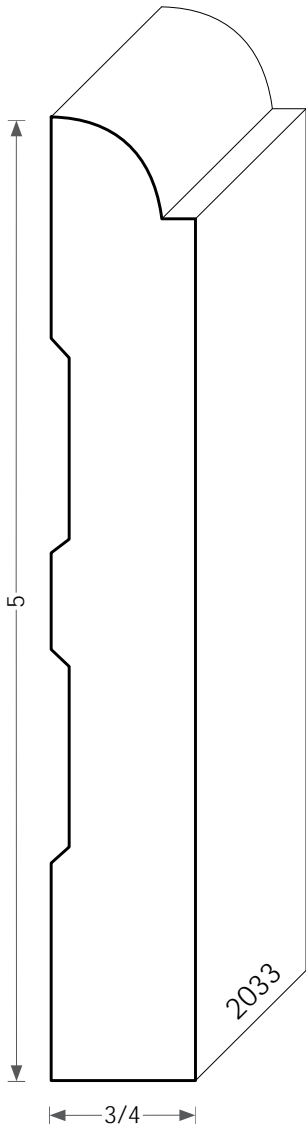
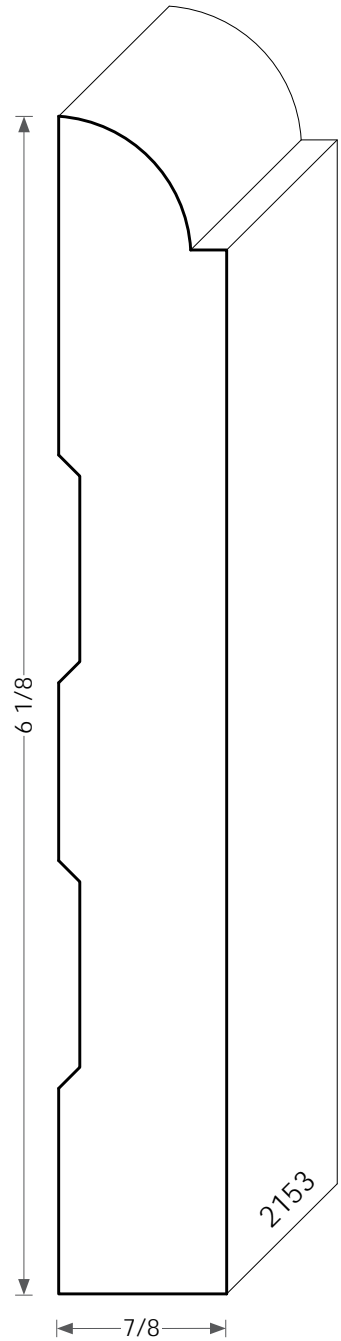
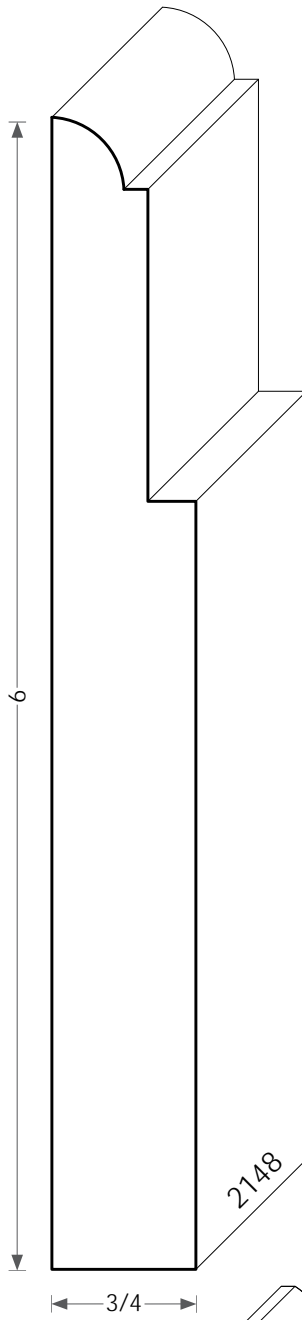
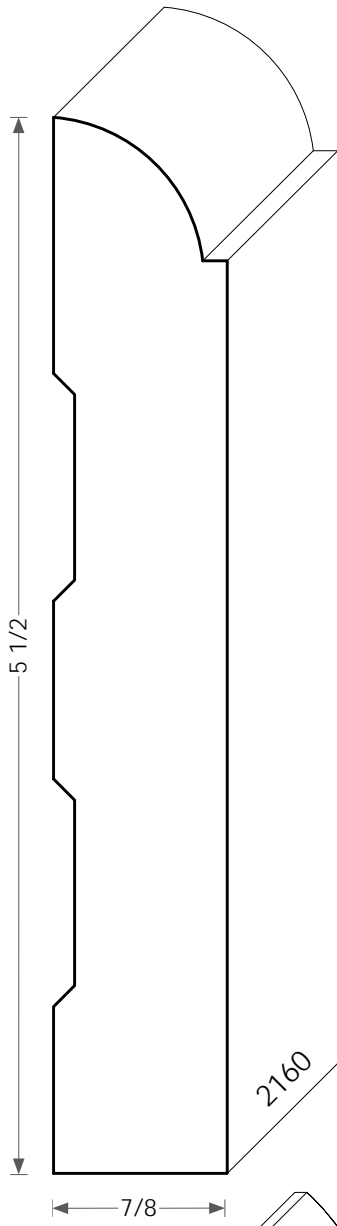
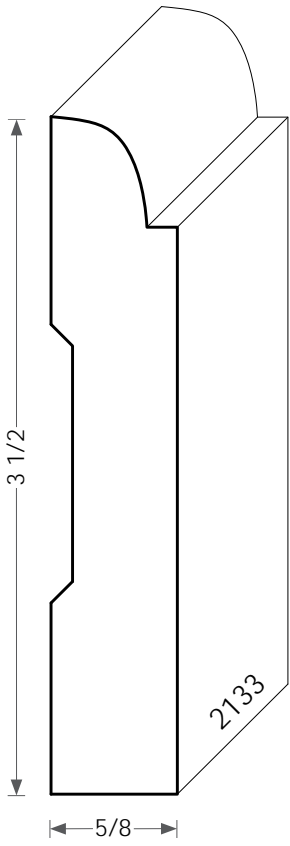
BASEBOARD



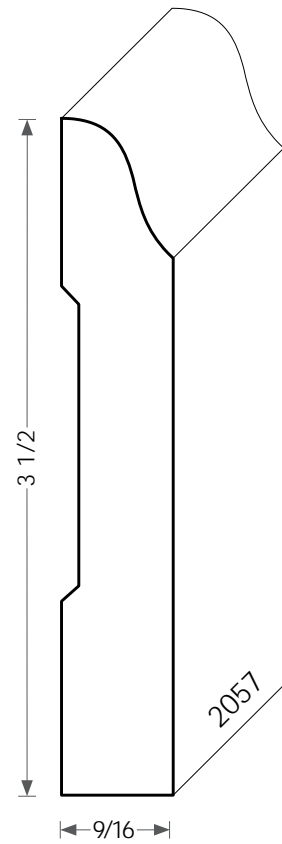
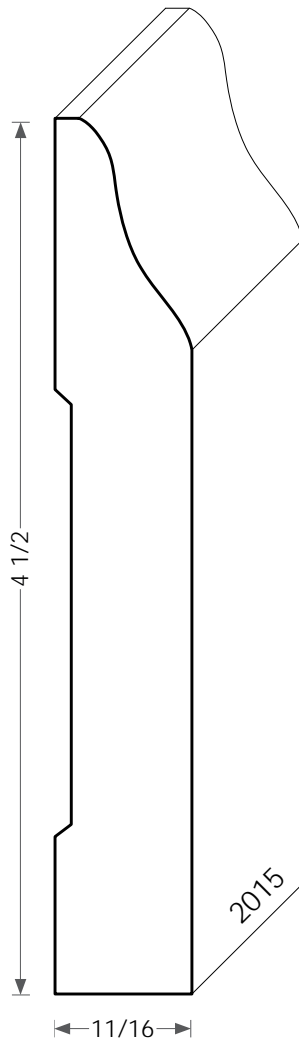
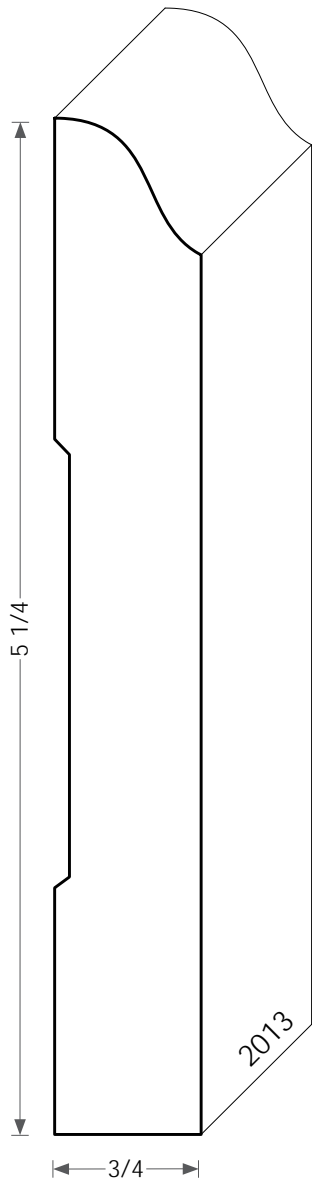
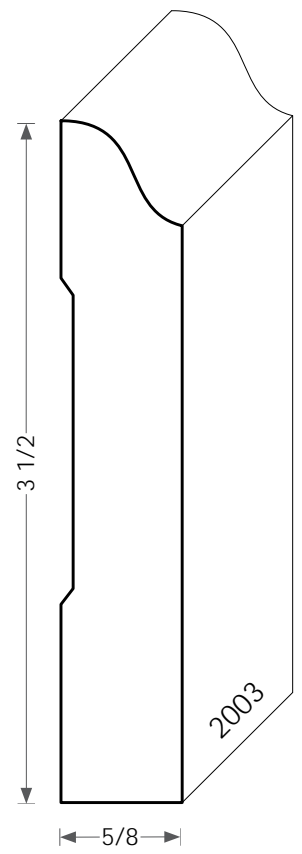
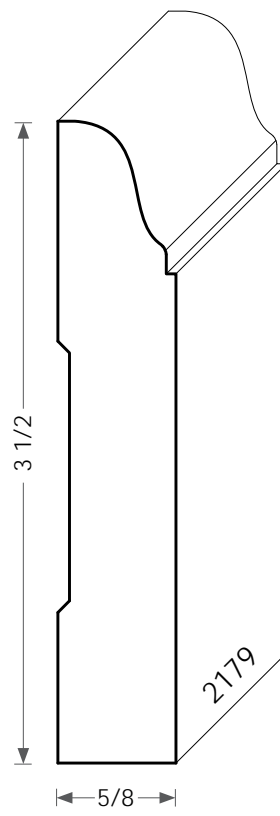
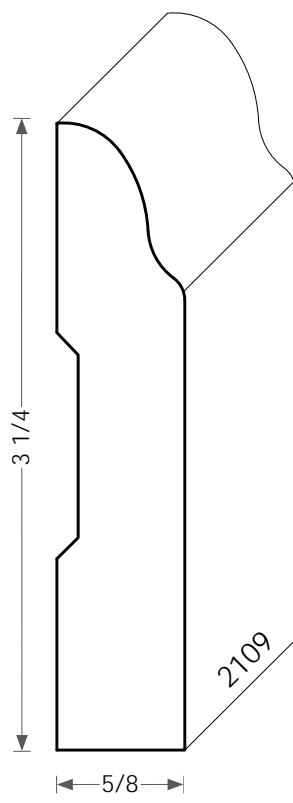
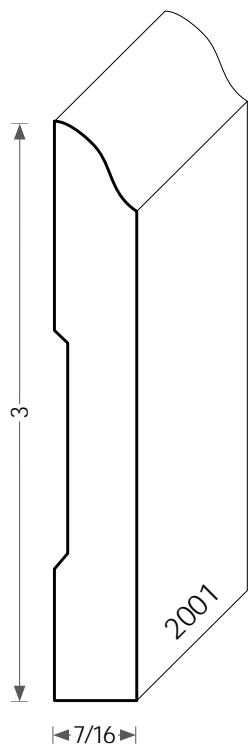
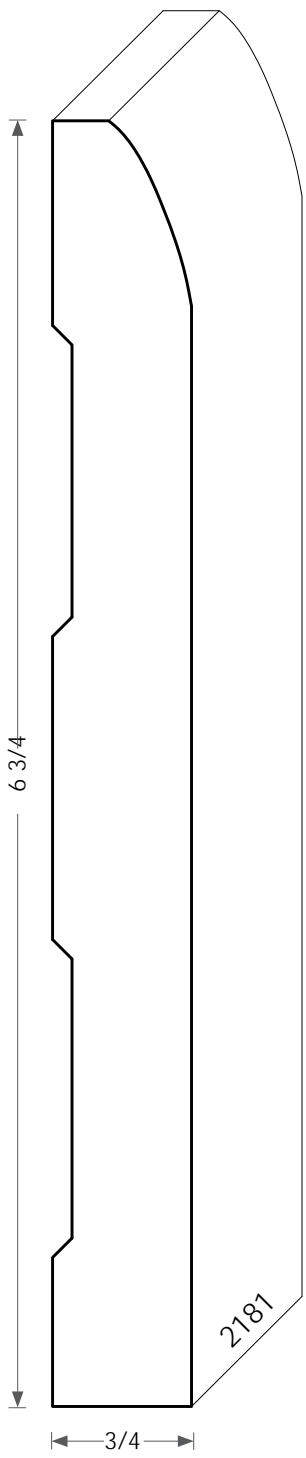




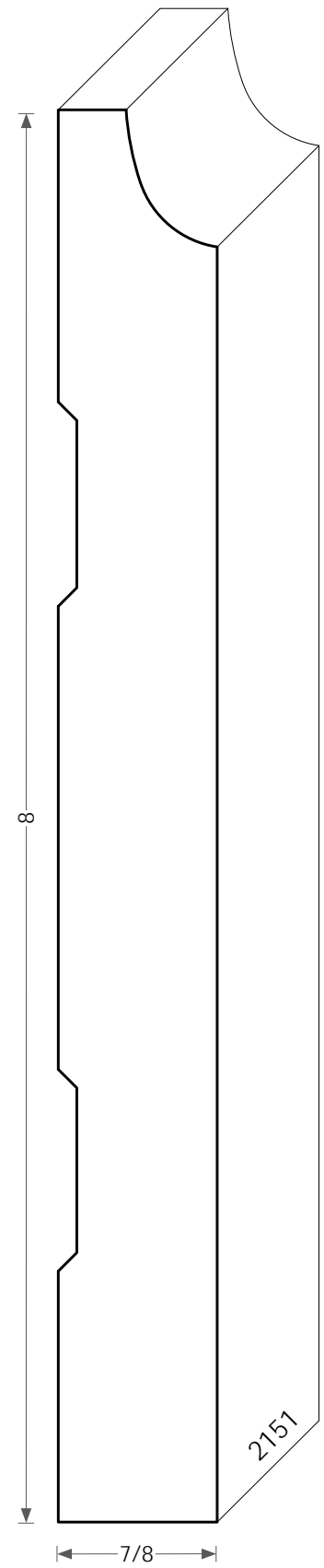
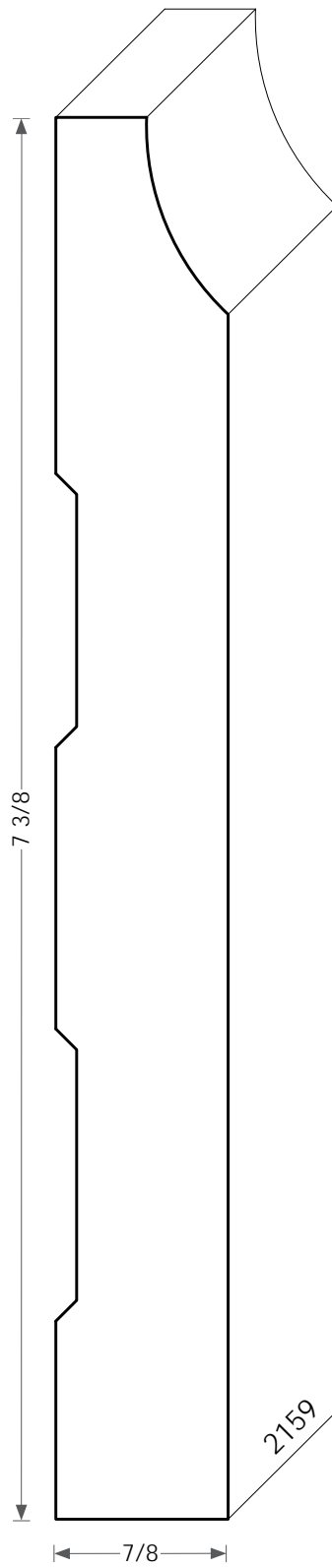
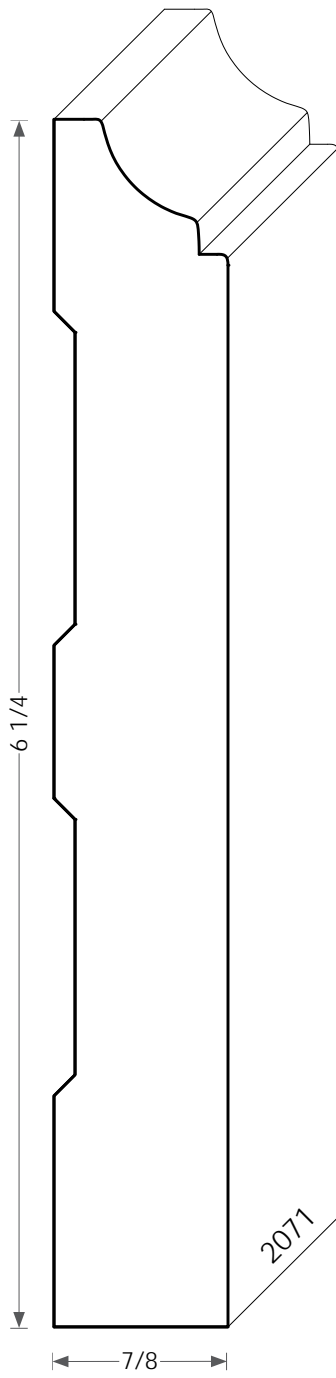
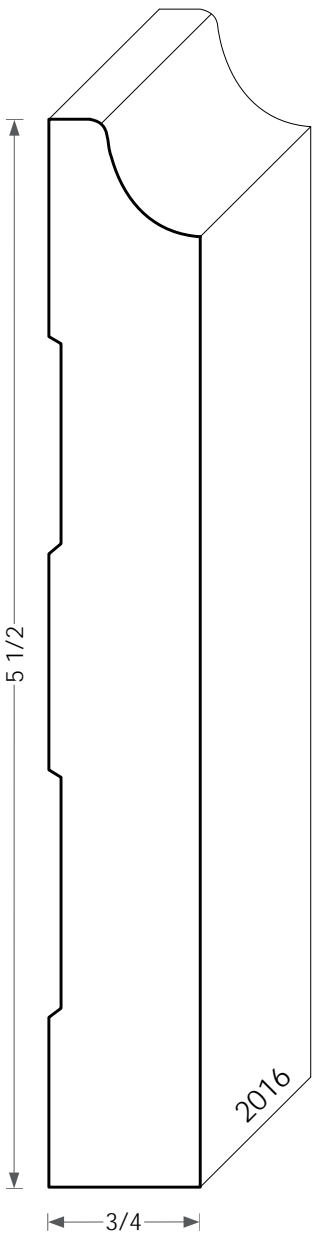
# BASEBOARD QUARTER ROUND



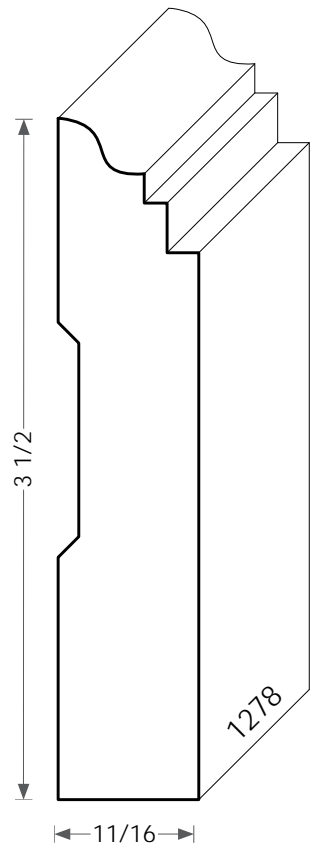
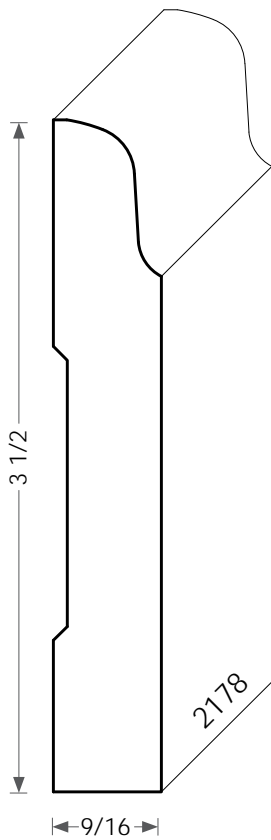
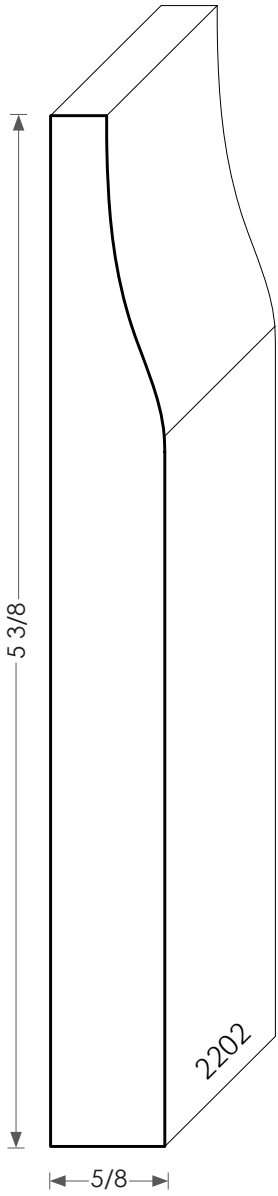
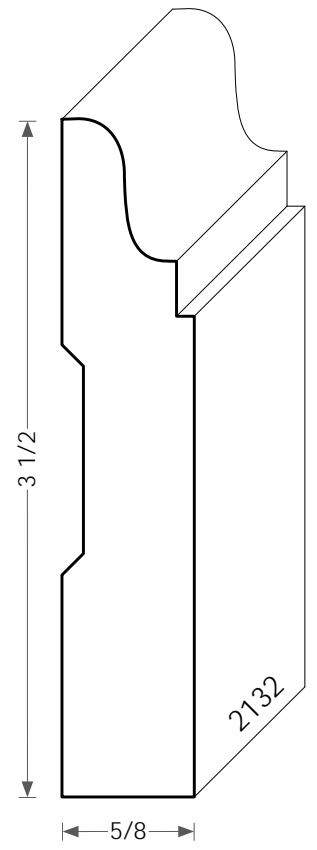
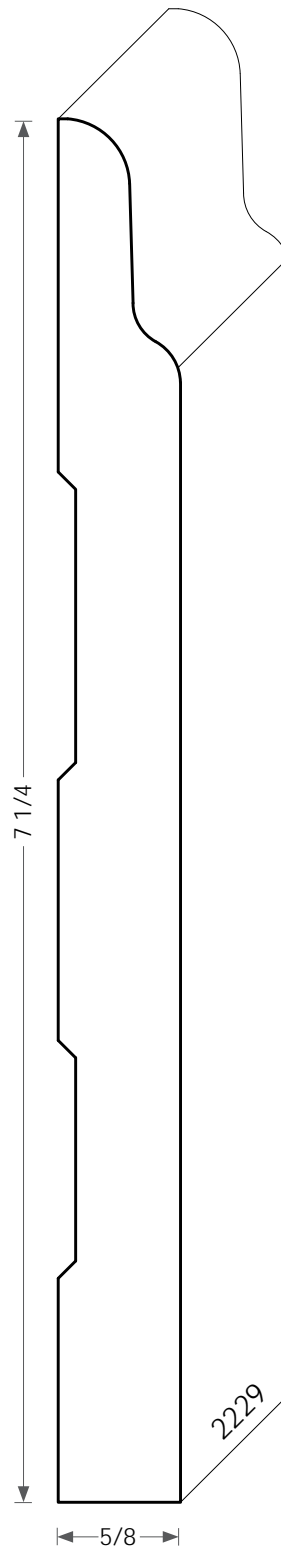
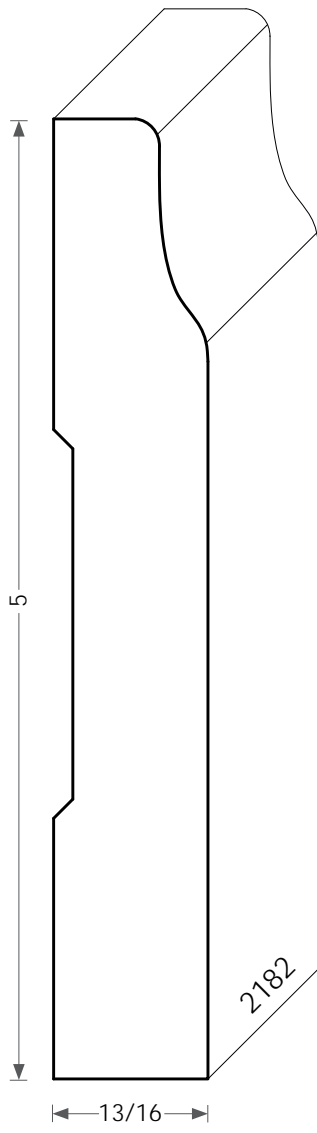
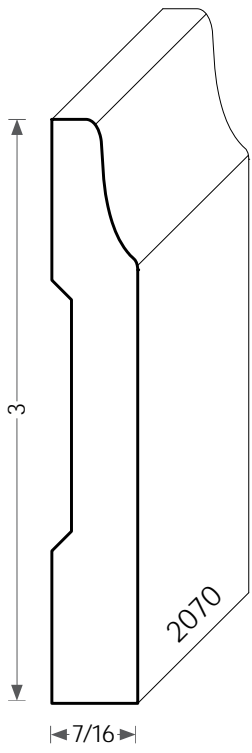
MOST BASEBOARDS CAN  
BE MODIFIED FOR HEIGHT.

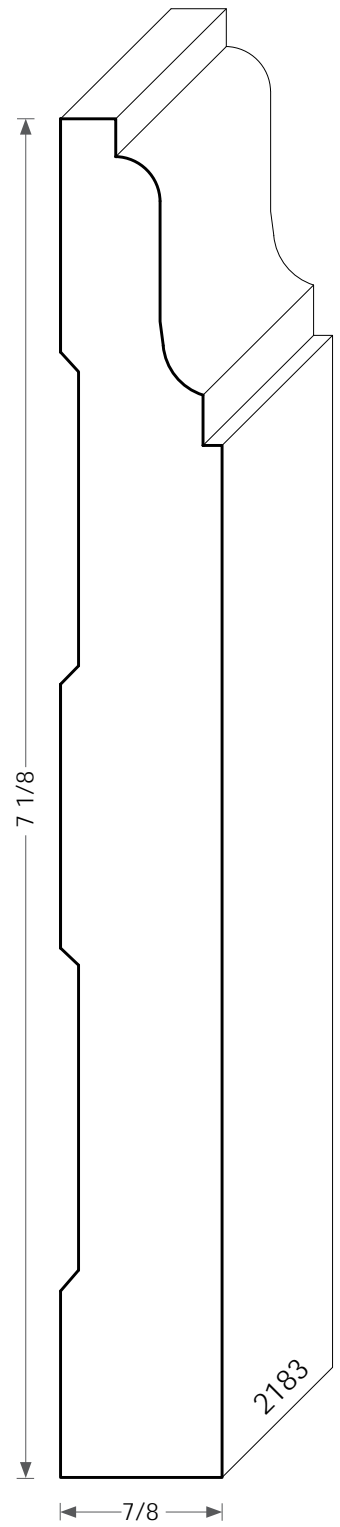
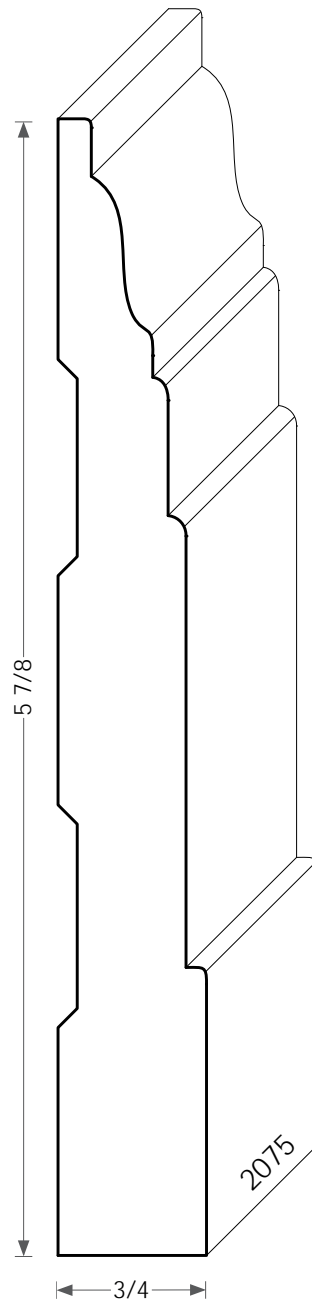
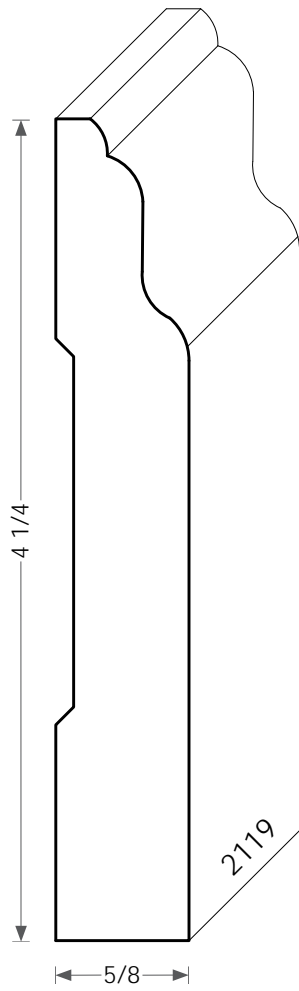
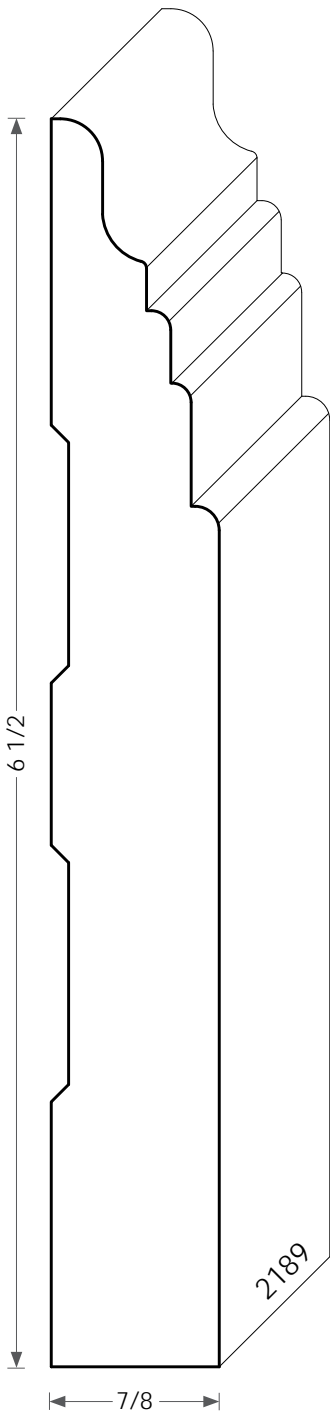


BASEBOARD  
COVE



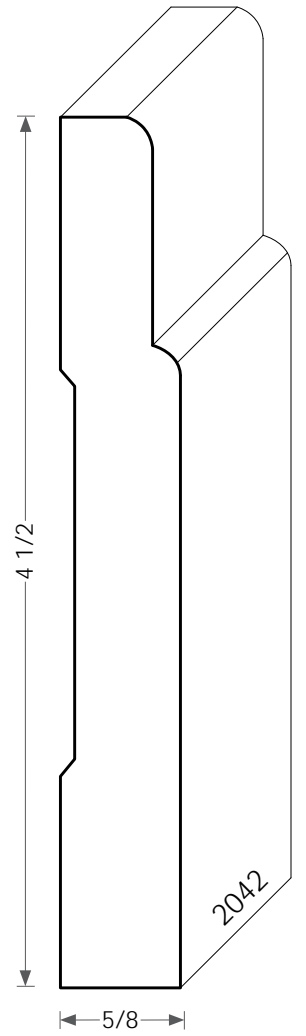
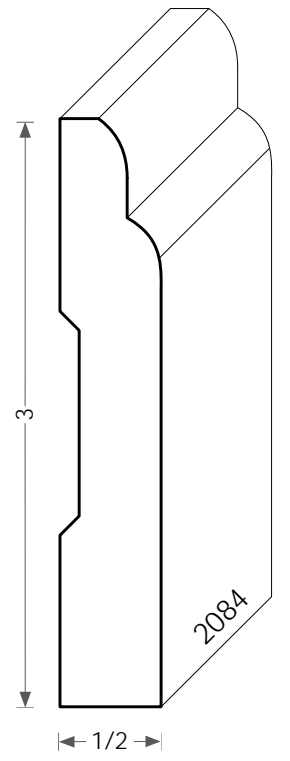
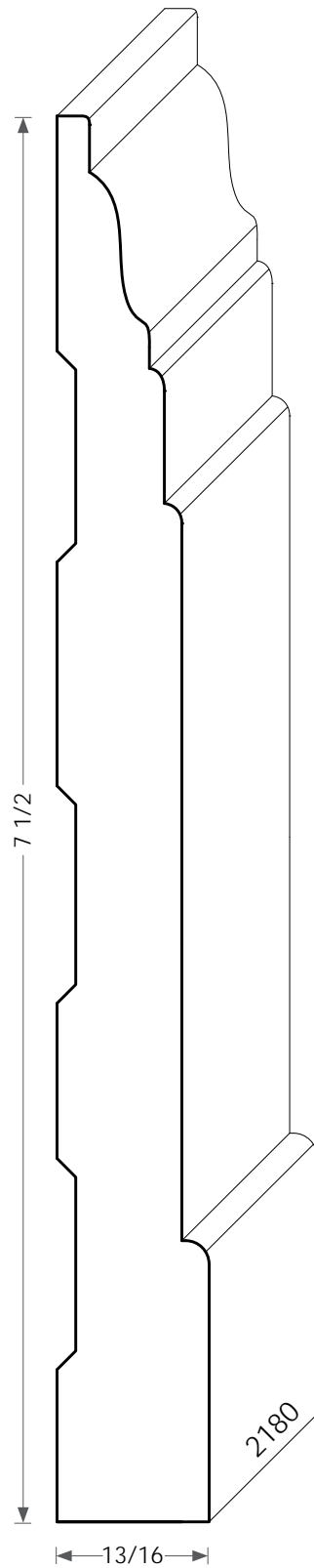
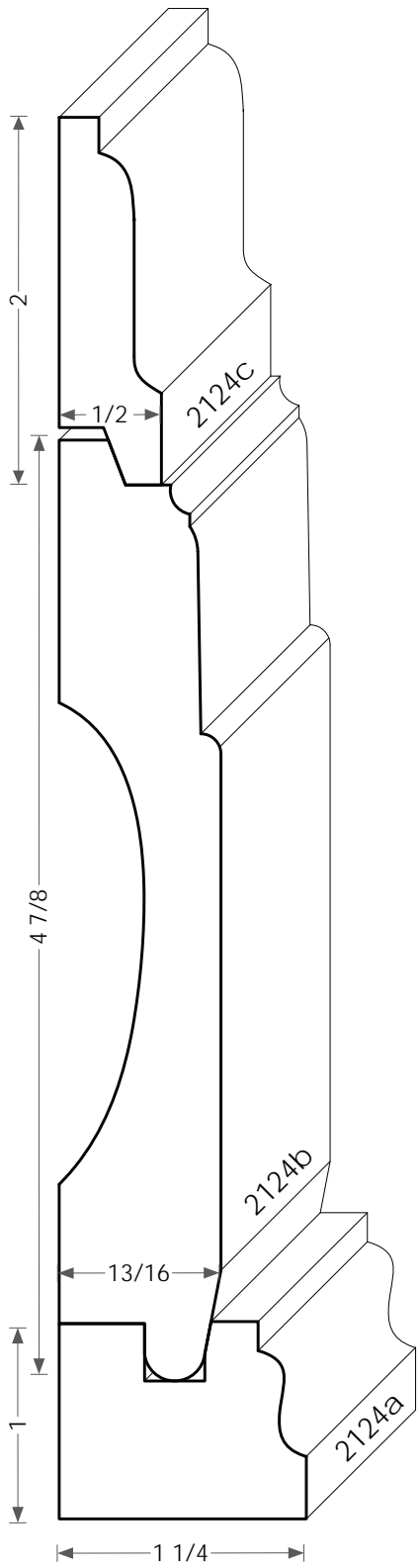
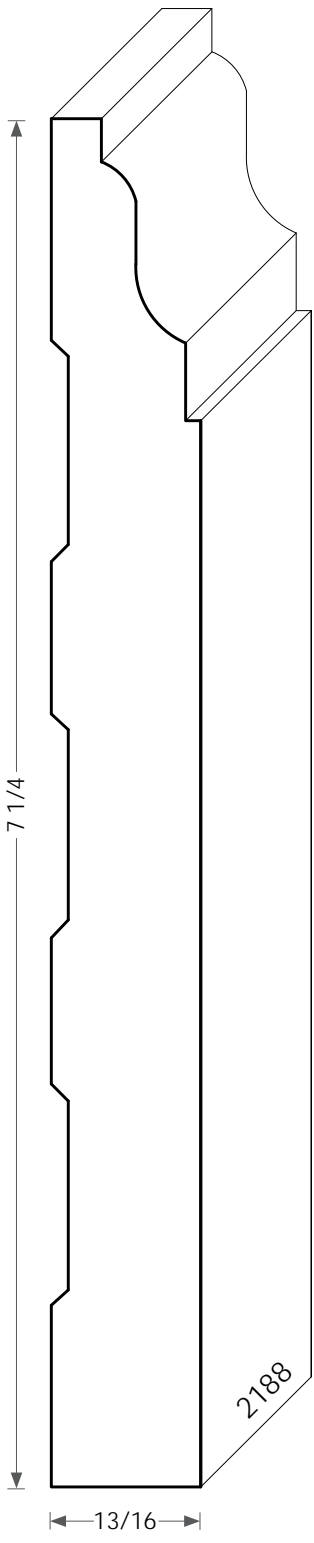
MOST BASEBOARDS CAN  
BE MODIFIED FOR HEIGHT.

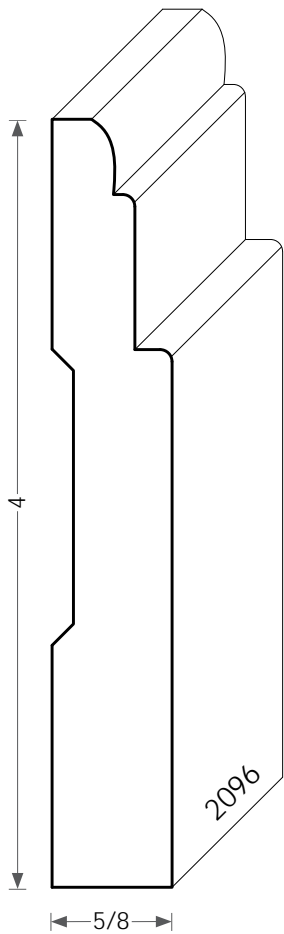
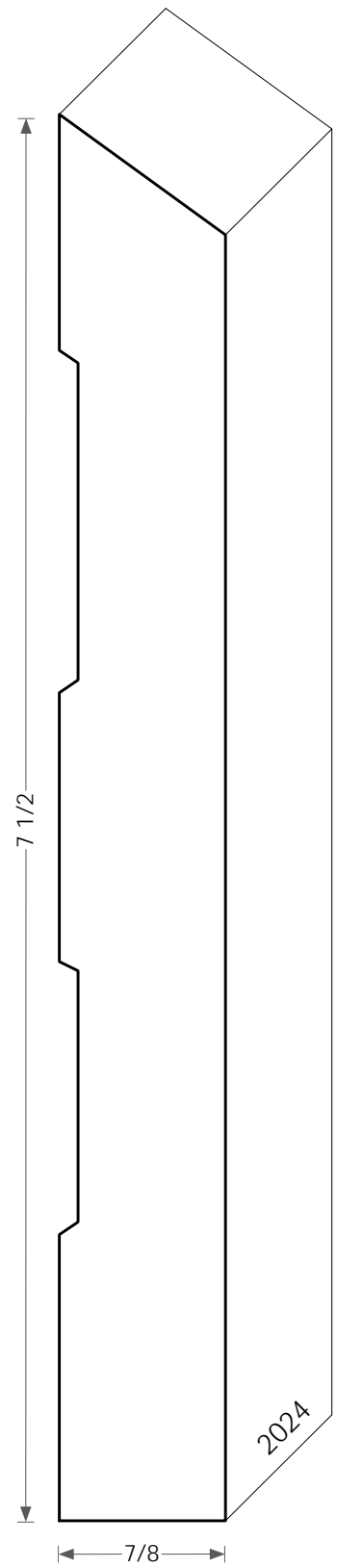
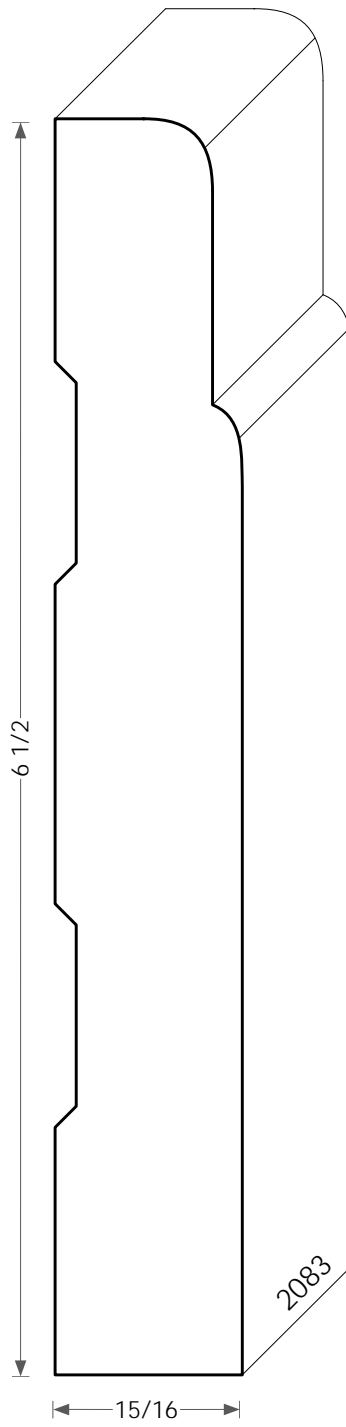
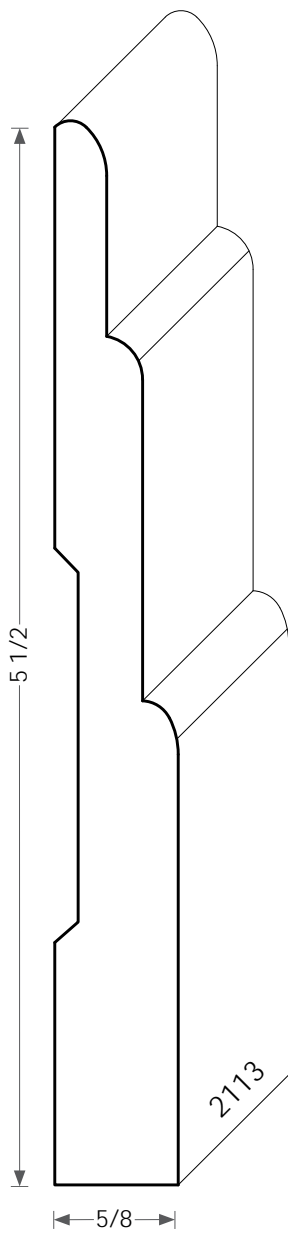
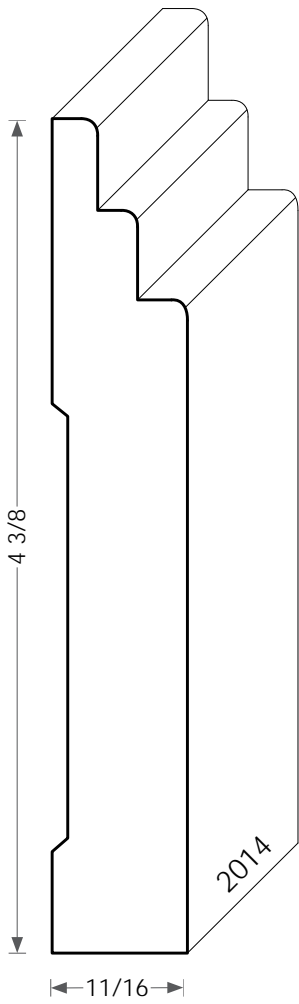




BASEBOARD

MOST BASEBOARDS CAN BE MODIFIED FOR HEIGHT.

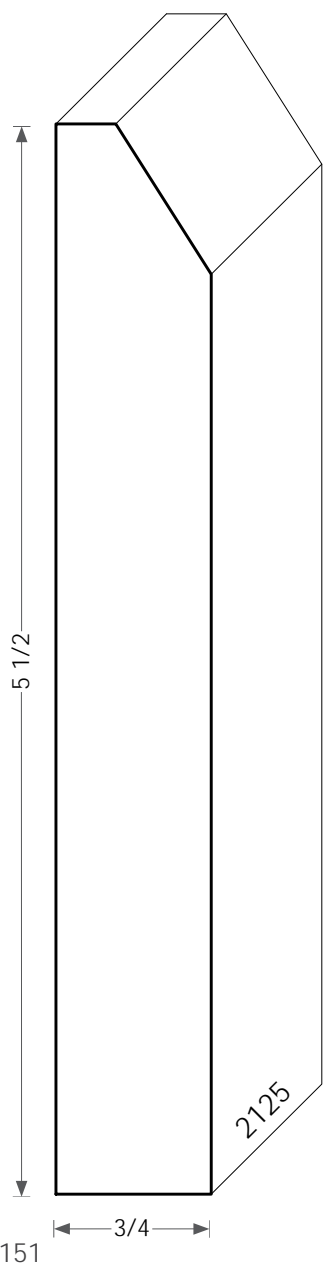
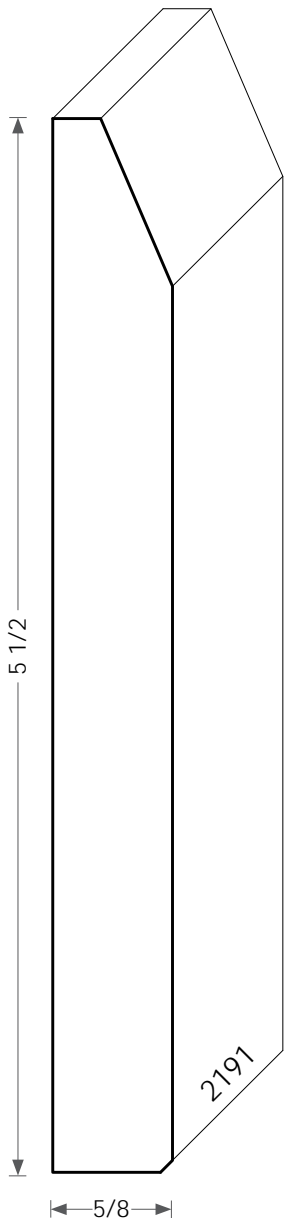
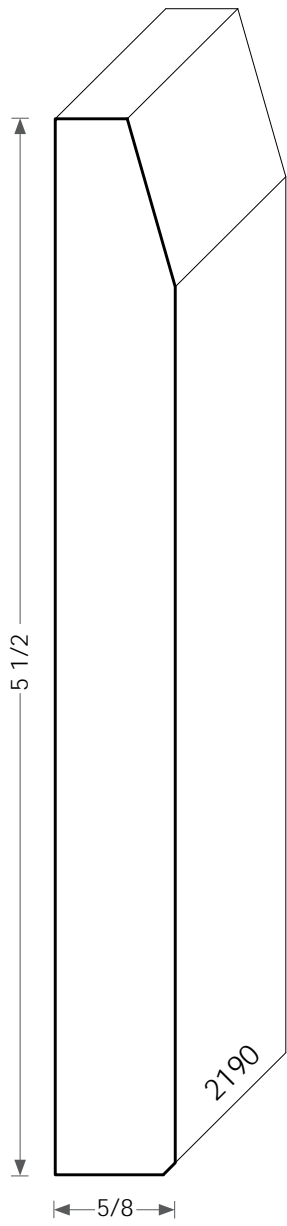
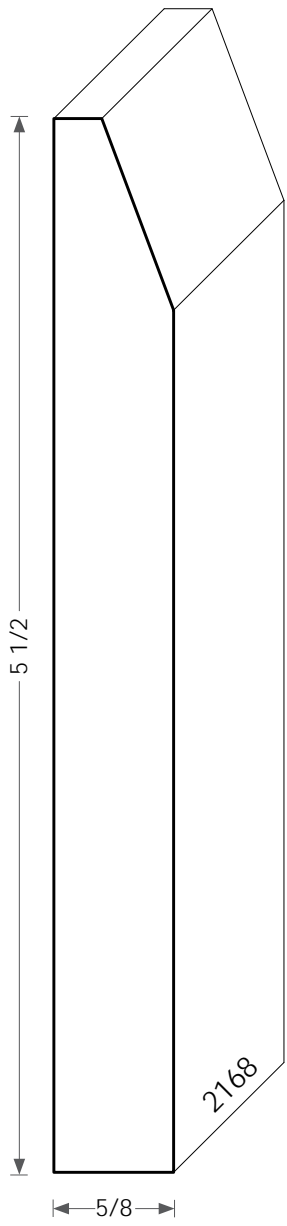
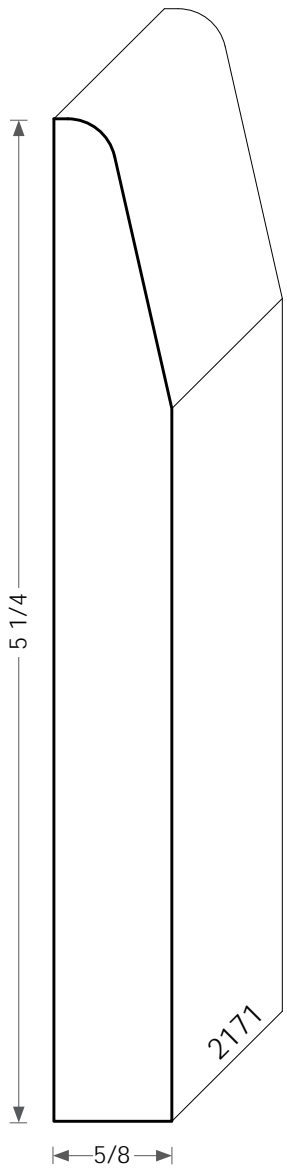
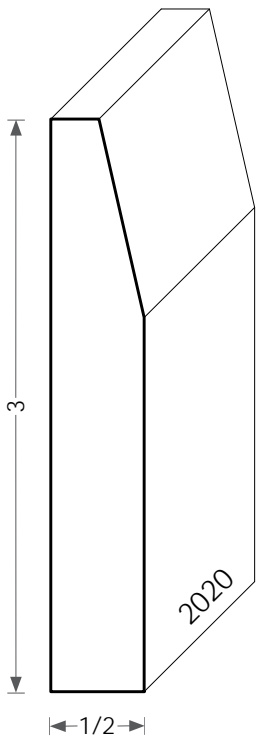




MOST BASEBOARDS CAN  
BE MODIFIED FOR HEIGHT.

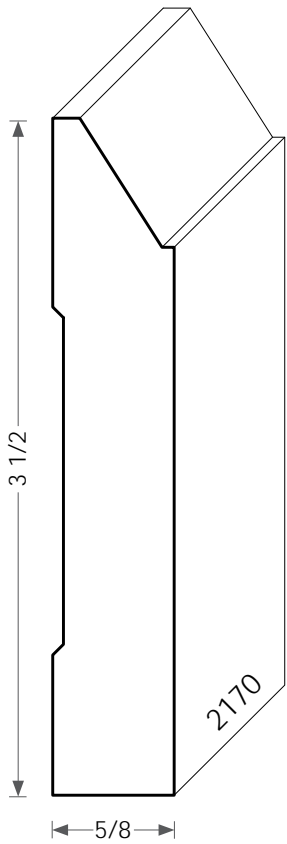
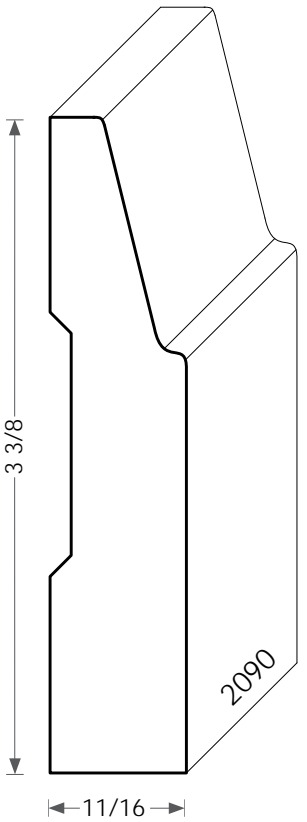
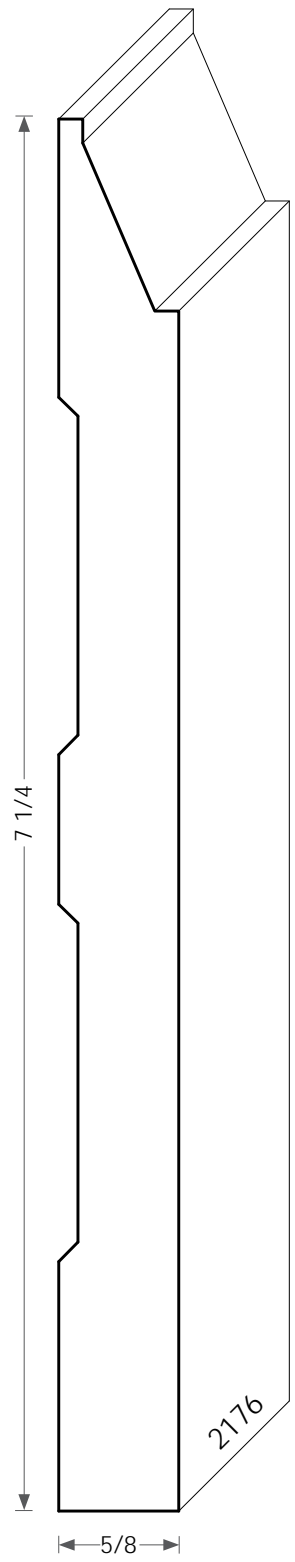
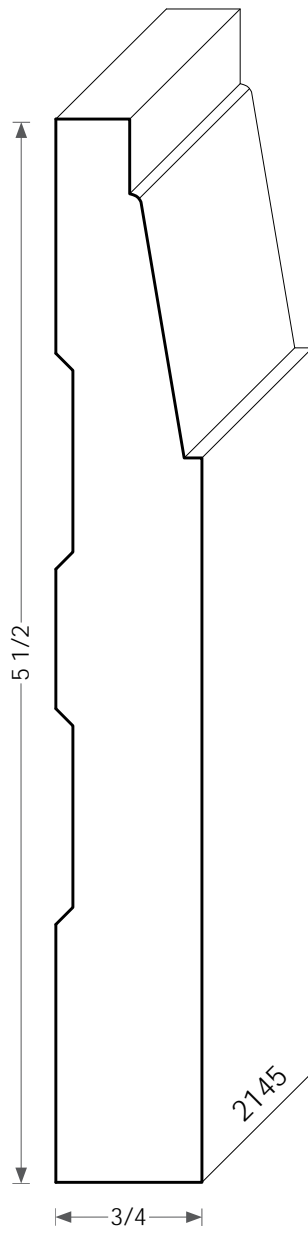
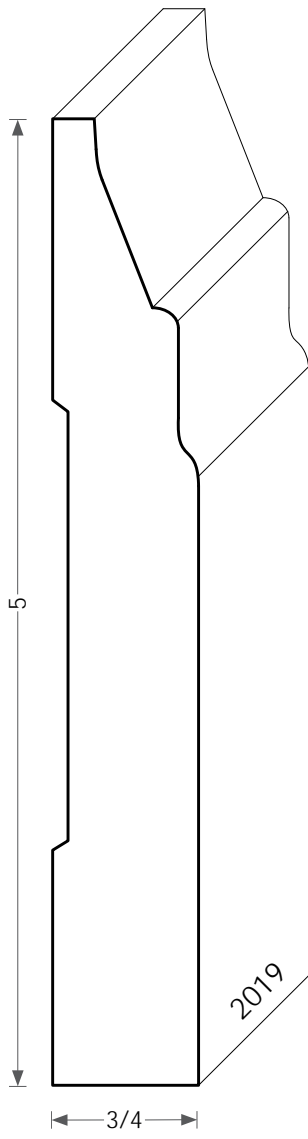
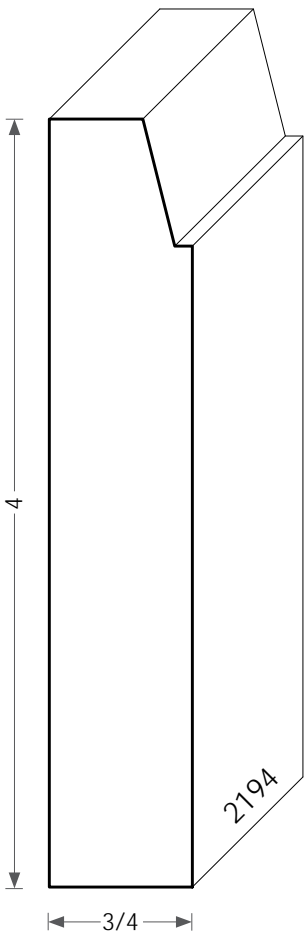
BASEBOARD

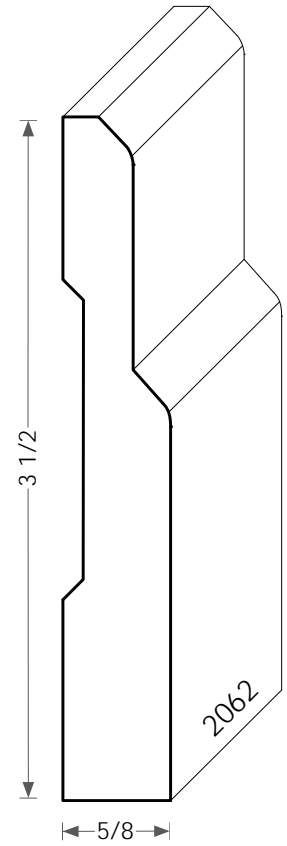
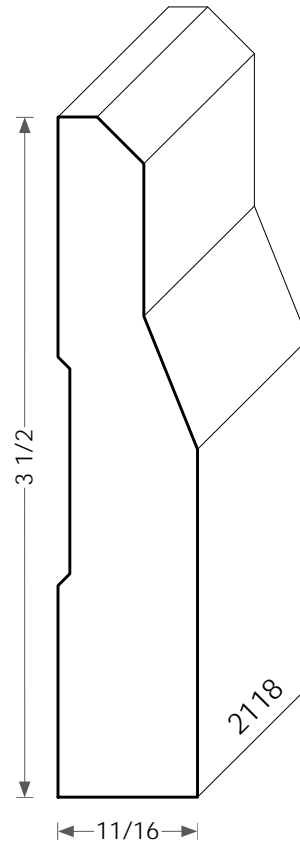
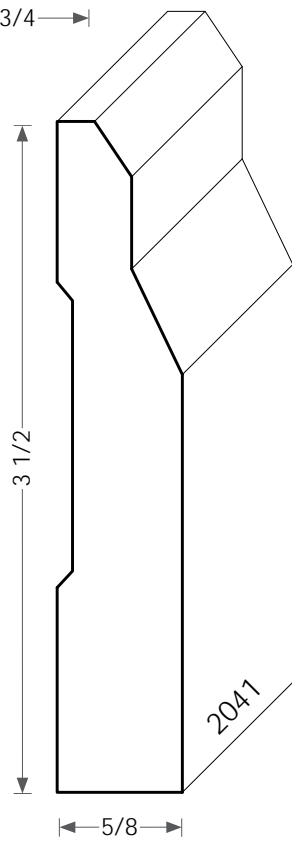
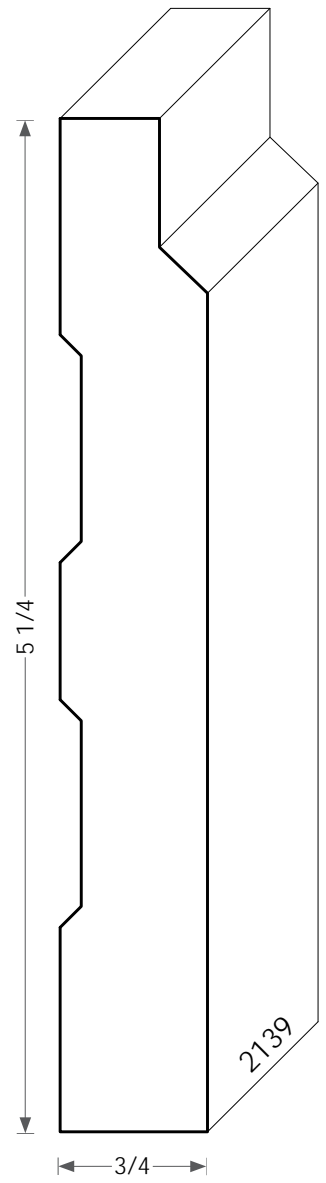
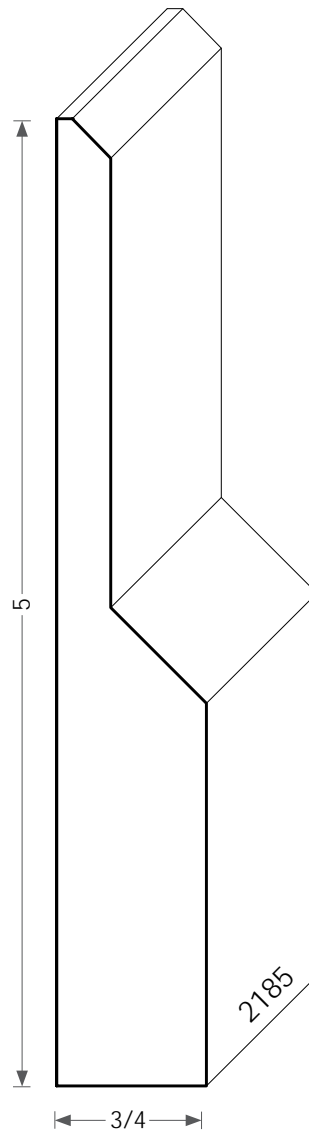
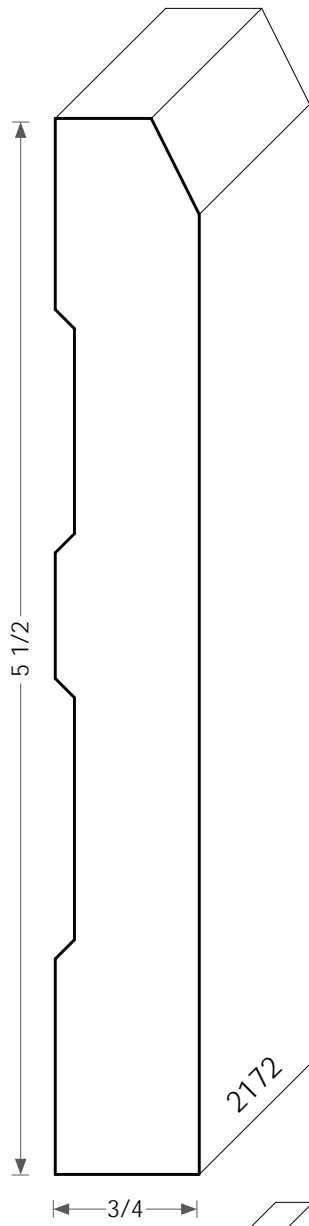
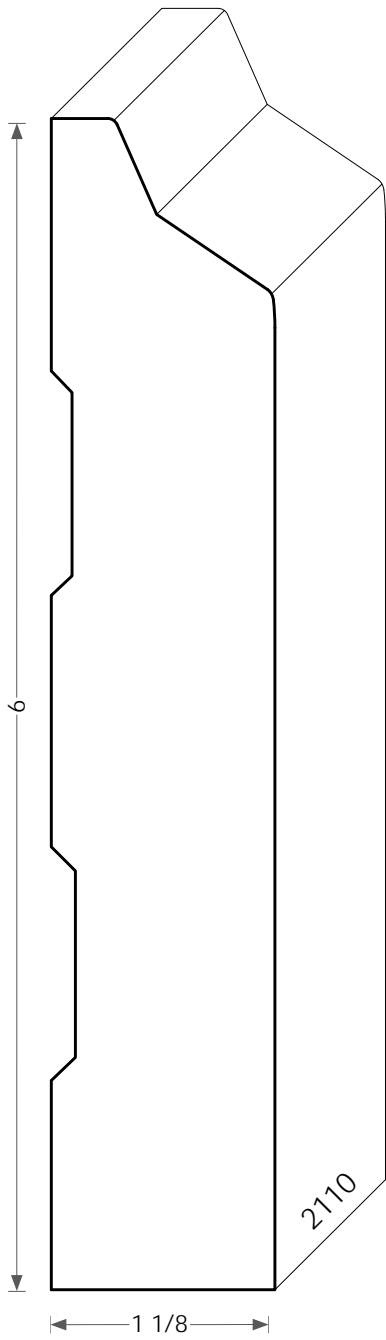




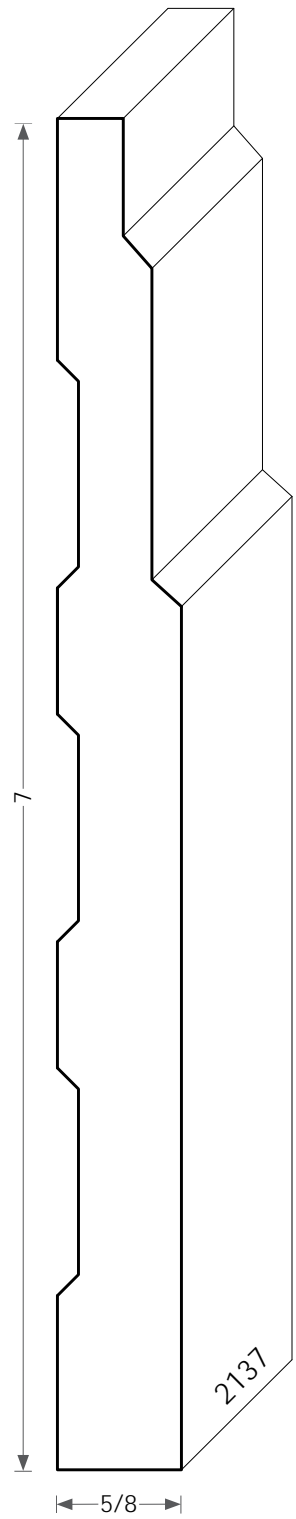
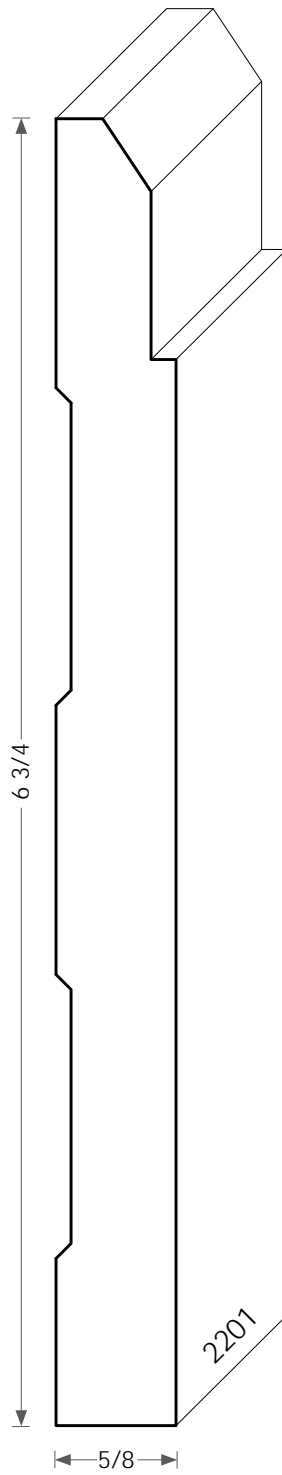
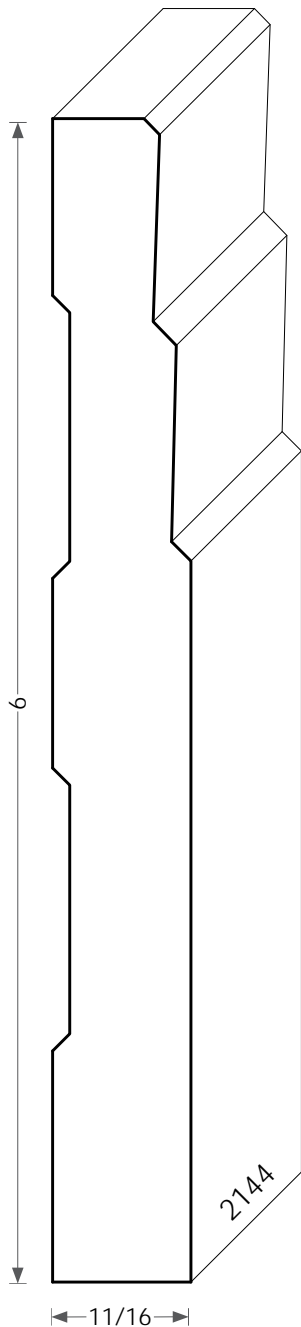
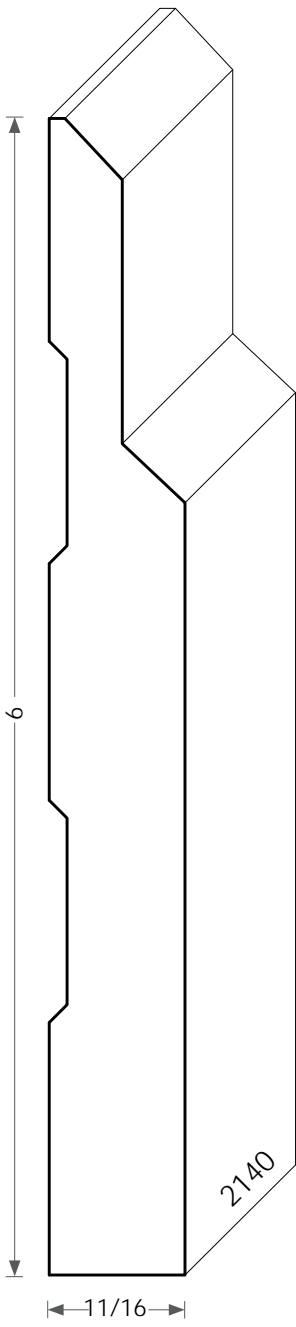
MOST BASEBOARDS CAN BE MODIFIED FOR HEIGHT.

BASEBOARD  
INCLINED

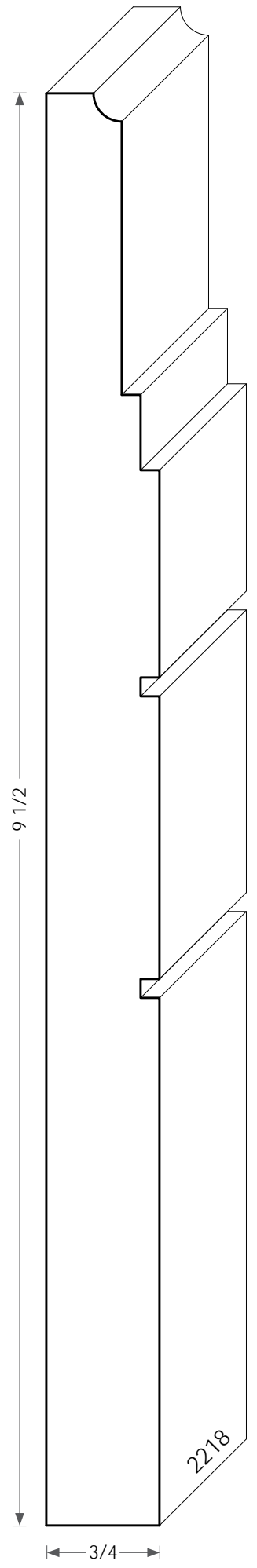
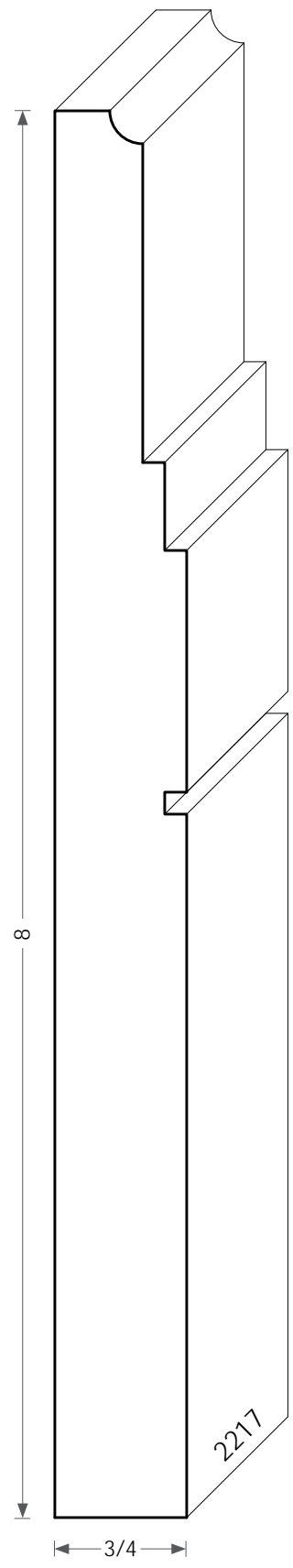
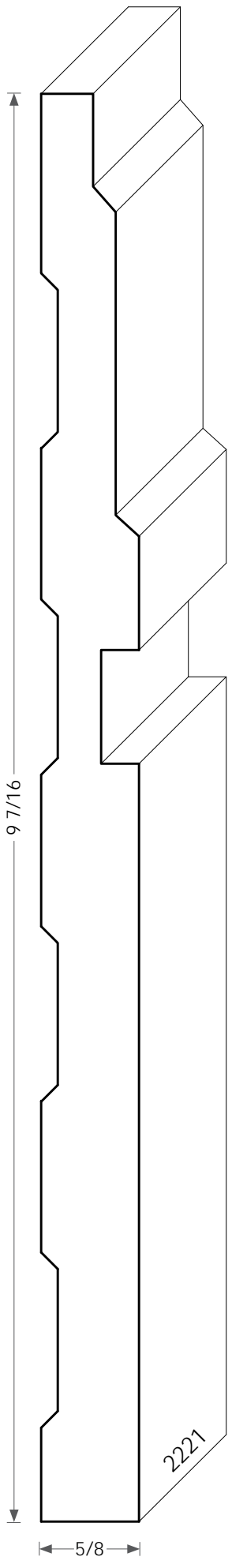
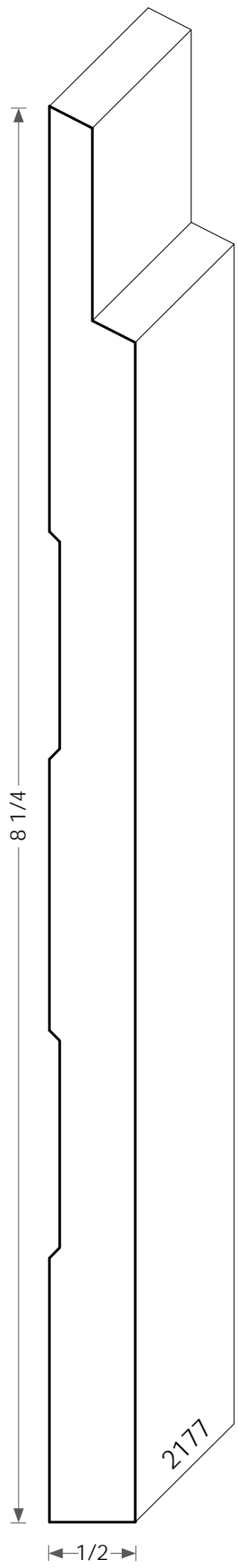
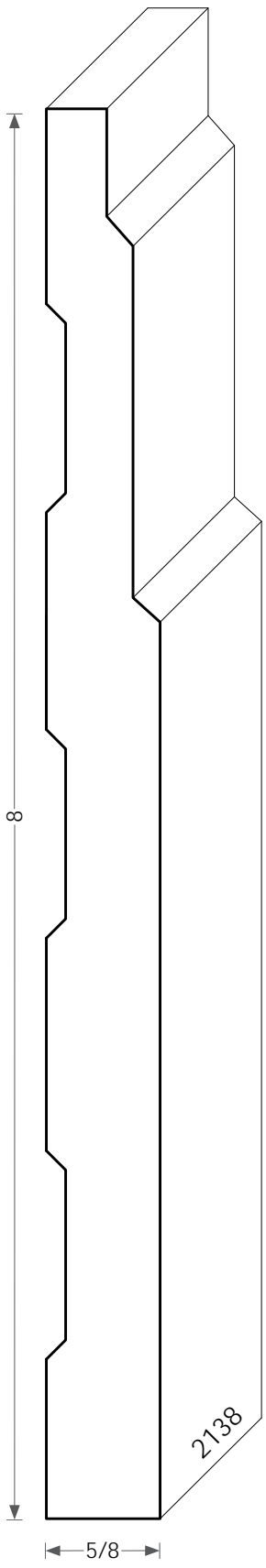




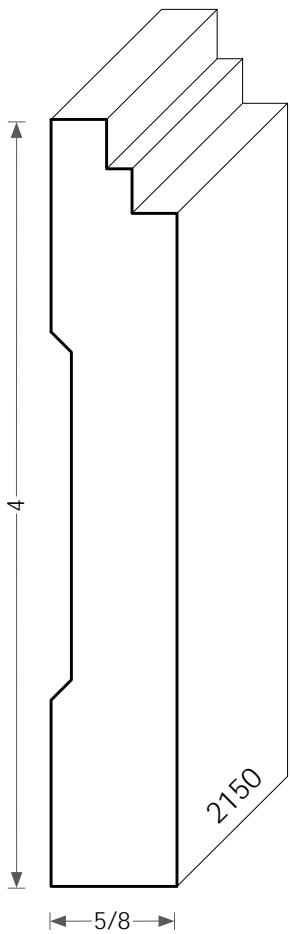
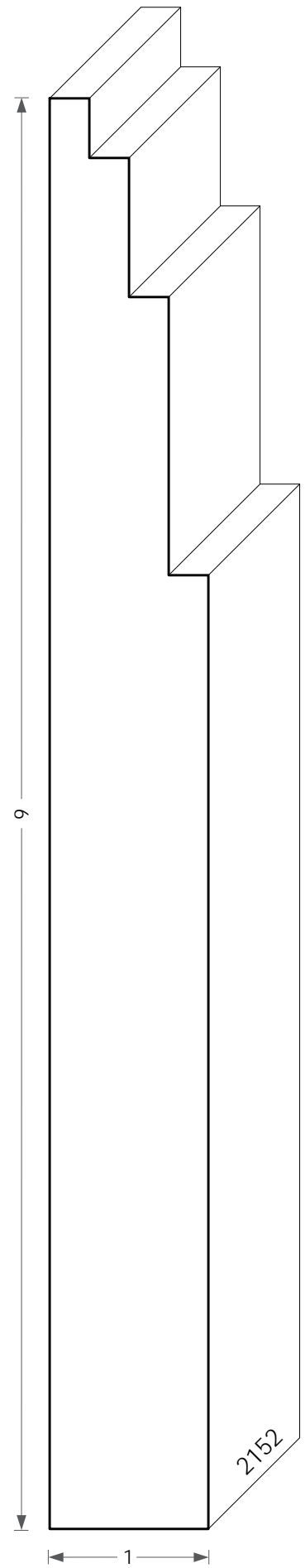
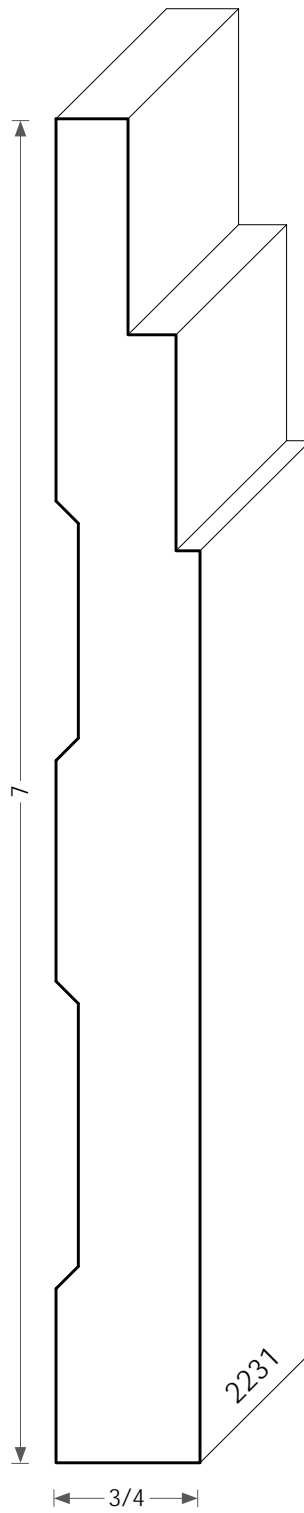
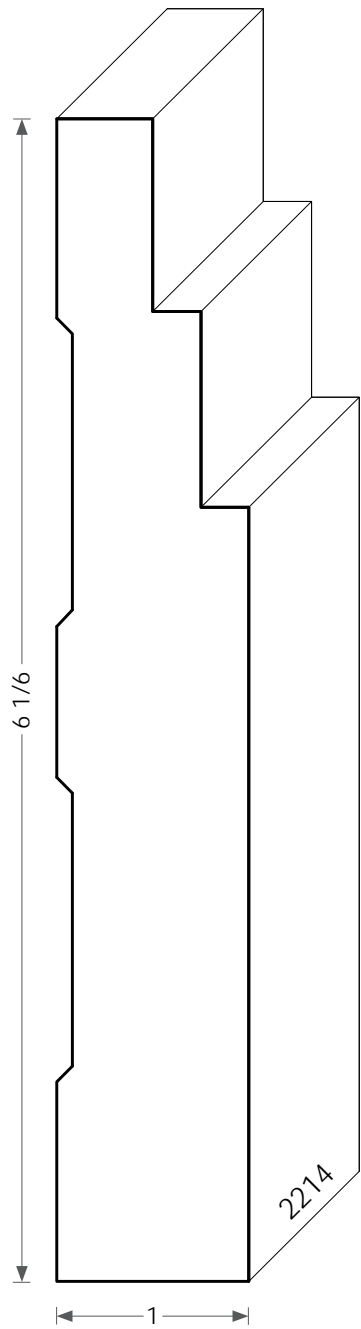
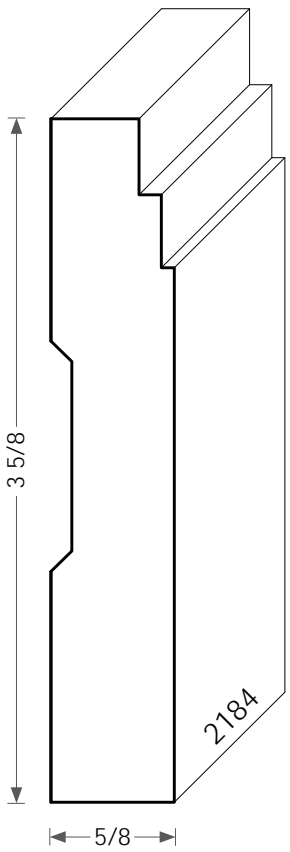
BASEBOARD  
STEPPED



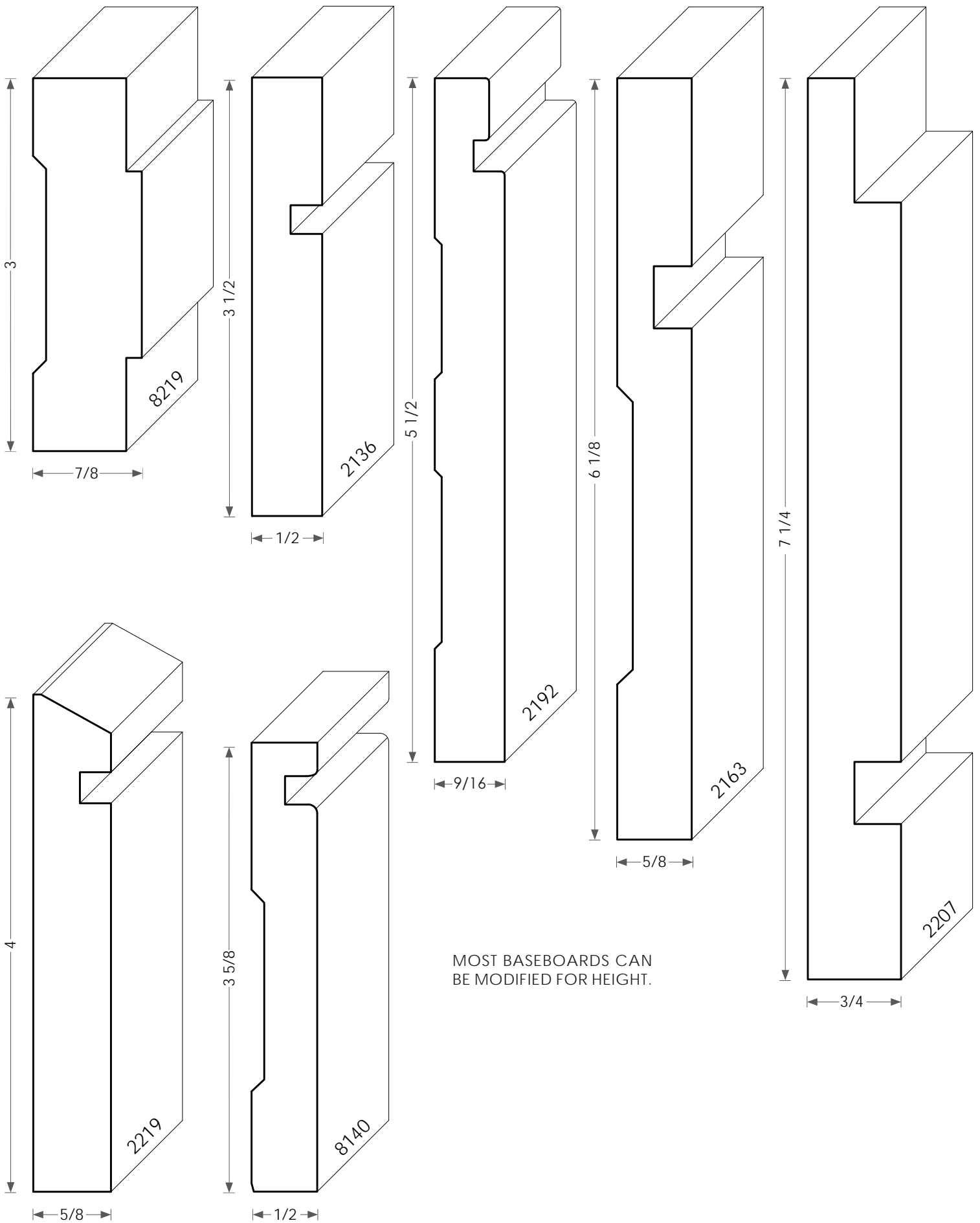
MOST BASEBOARDS CAN  
BE MODIFIED FOR HEIGHT.

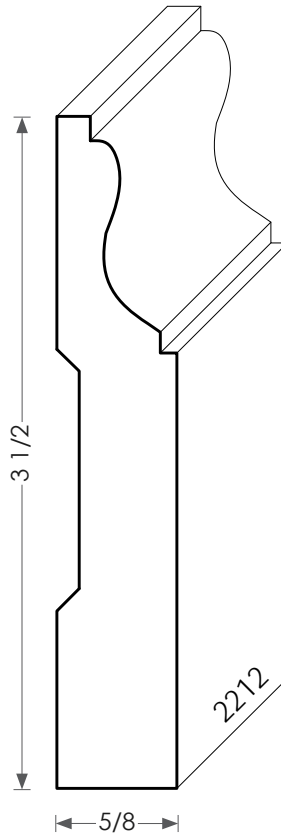
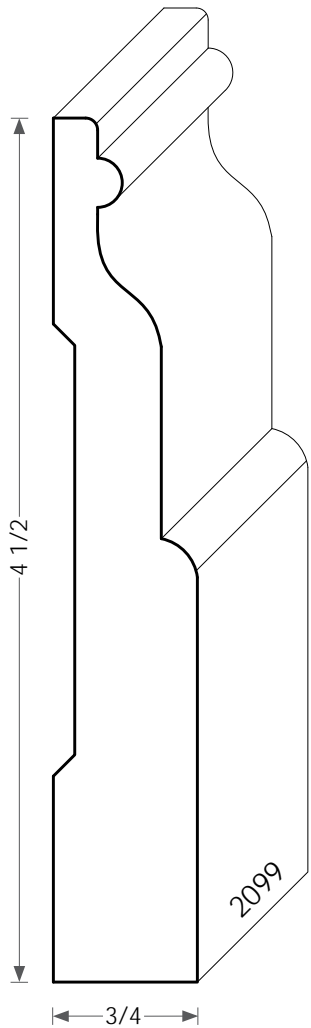
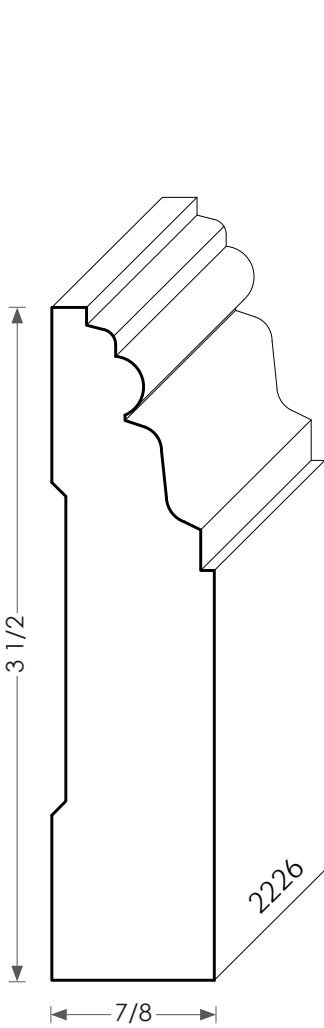
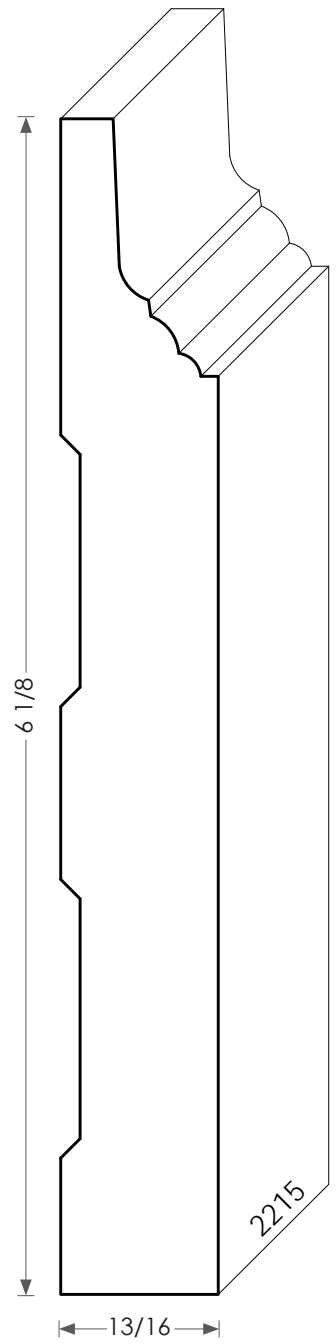
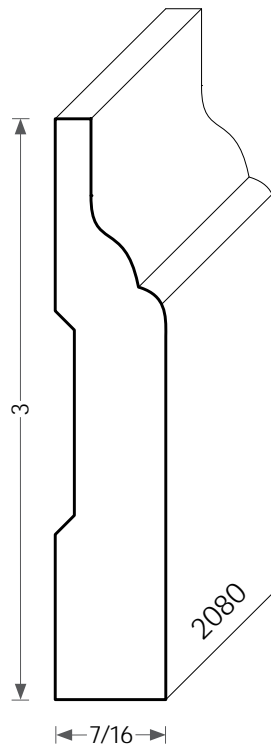
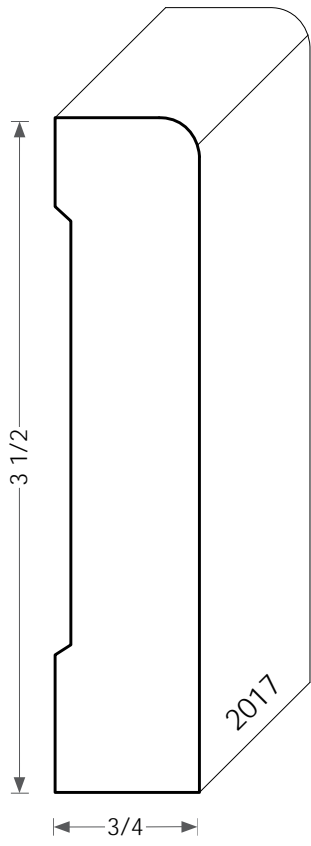
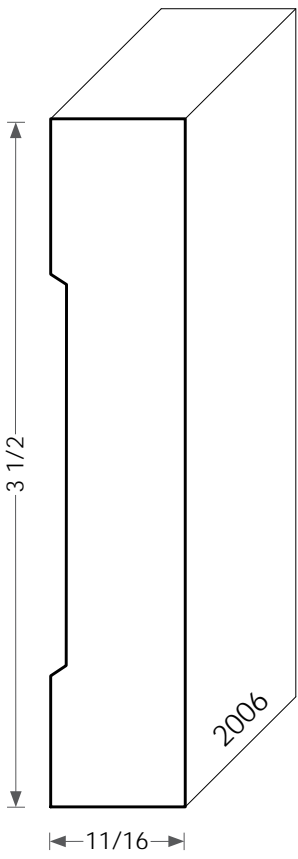


BASEBOARD  
STEPPED



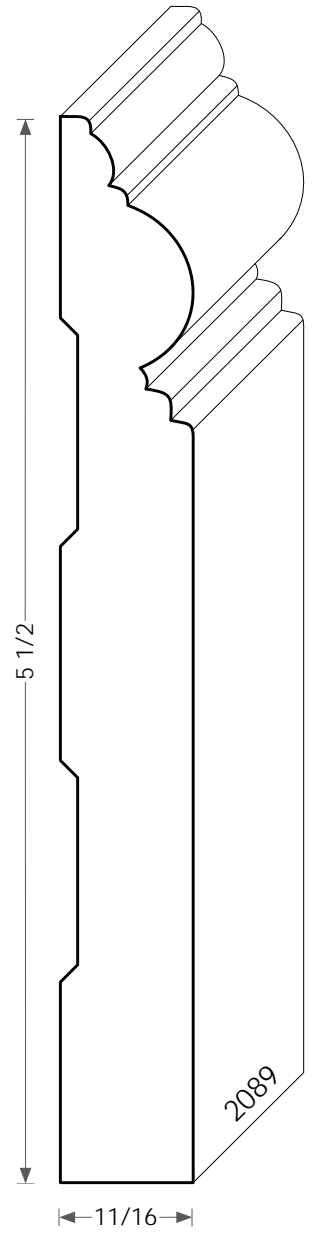
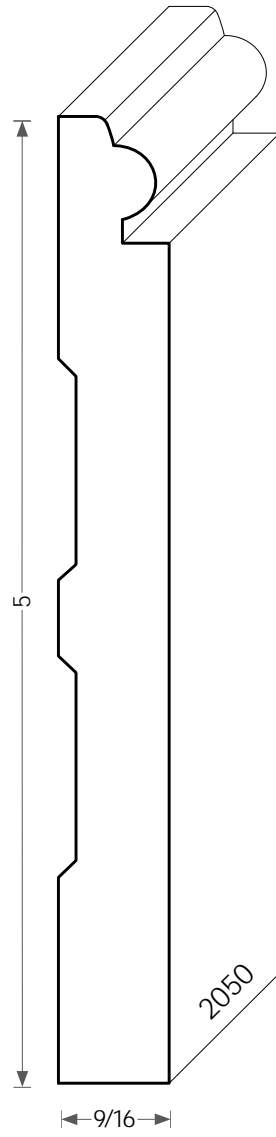
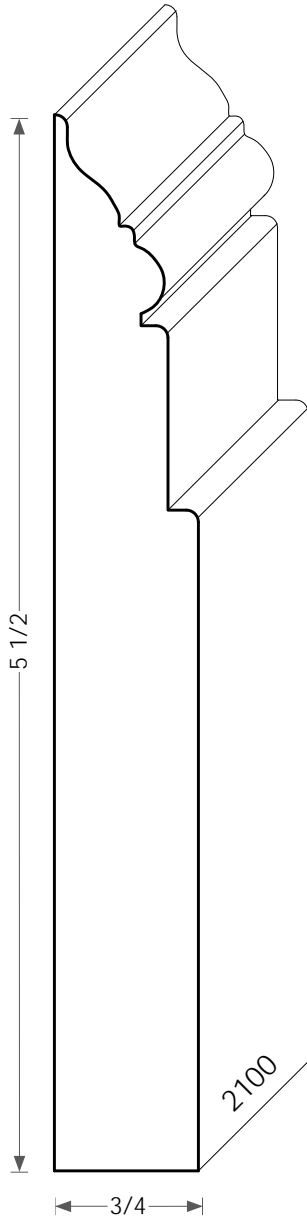
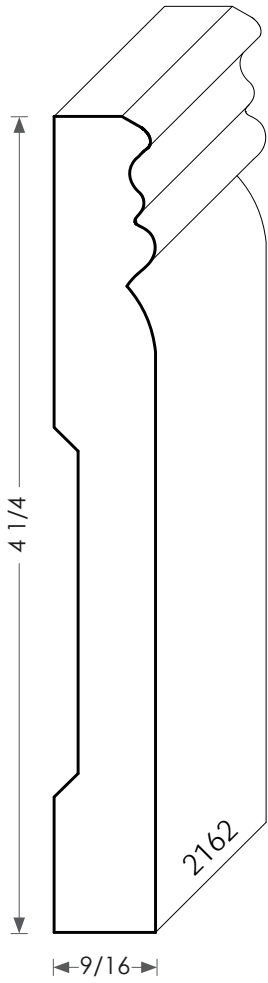
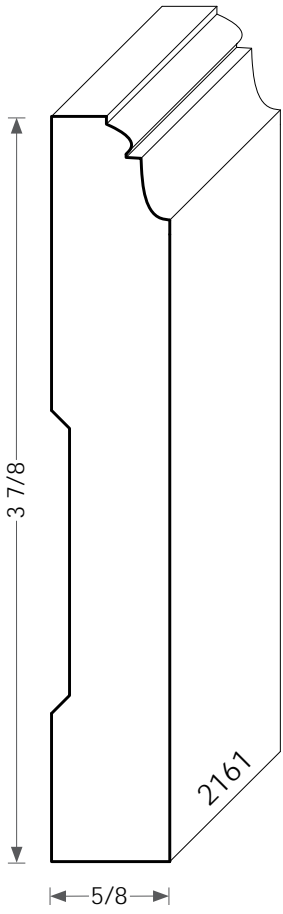
MOST BASEBOARDS CAN  
BE MODIFIED FOR HEIGHT.





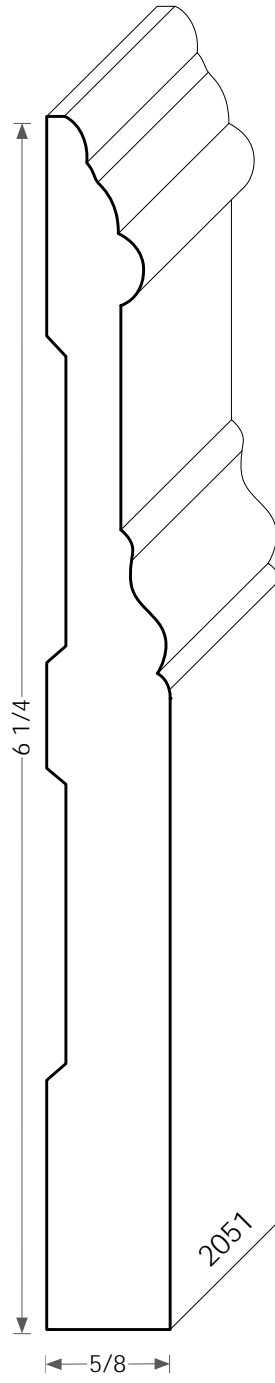
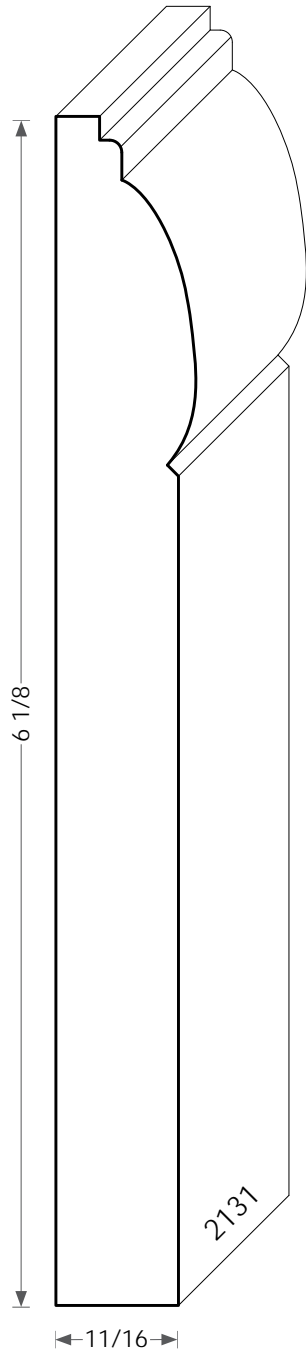
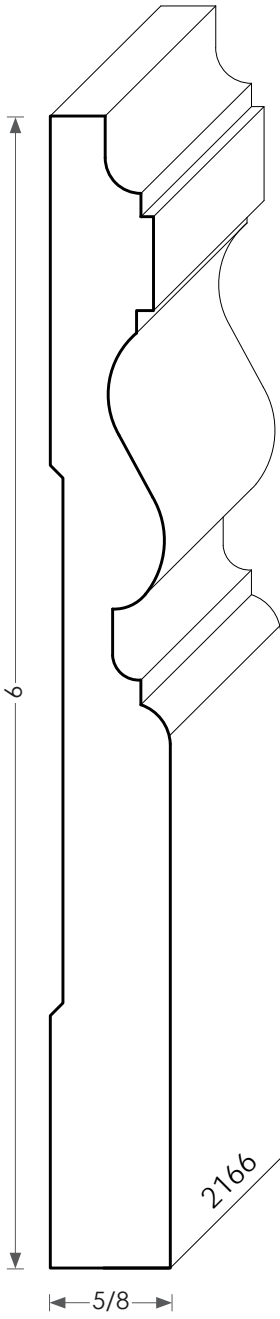
BASEBOARD

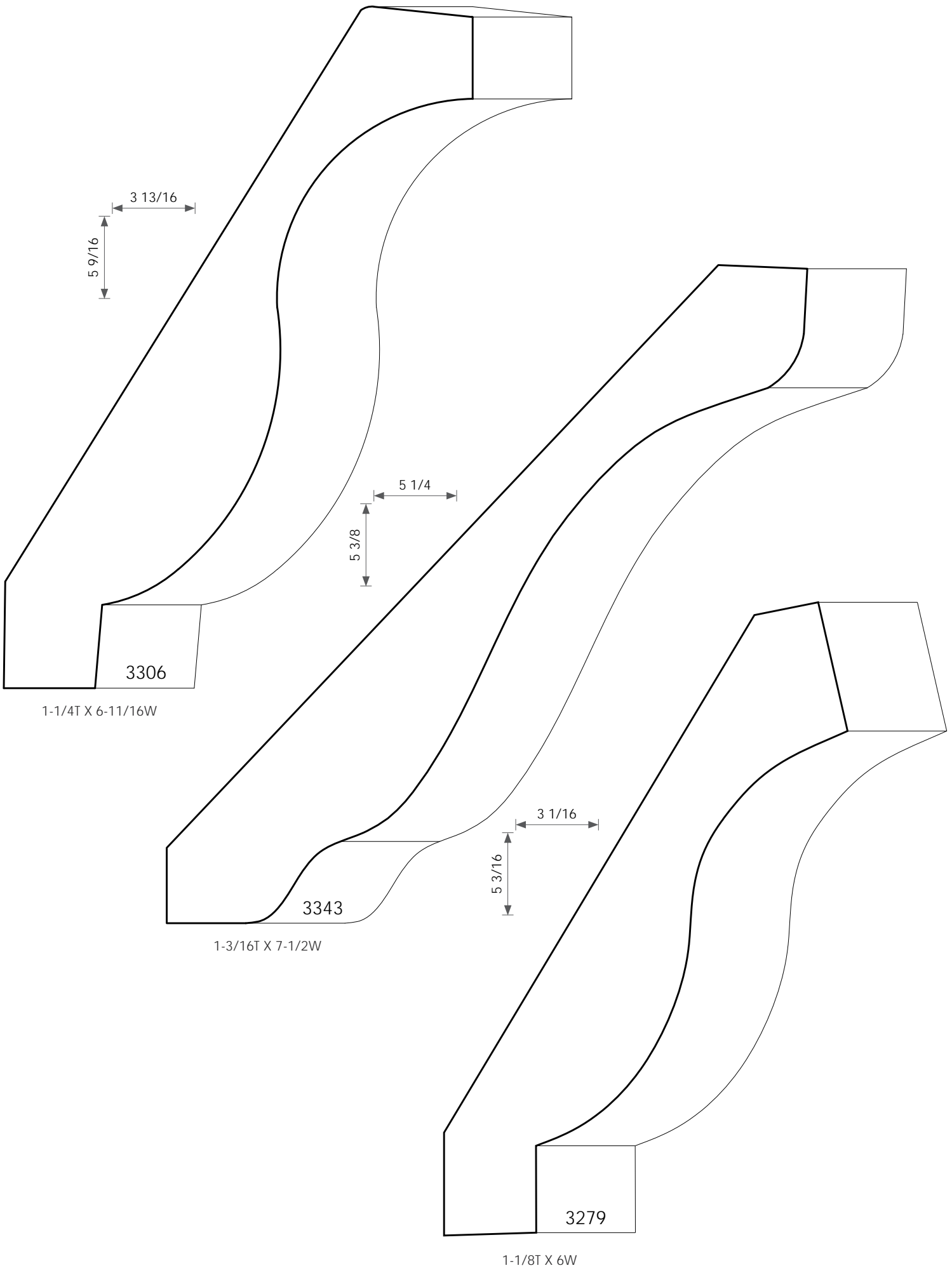




MOST BASEBOARDS CAN  
BE MODIFIED FOR HEIGHT.

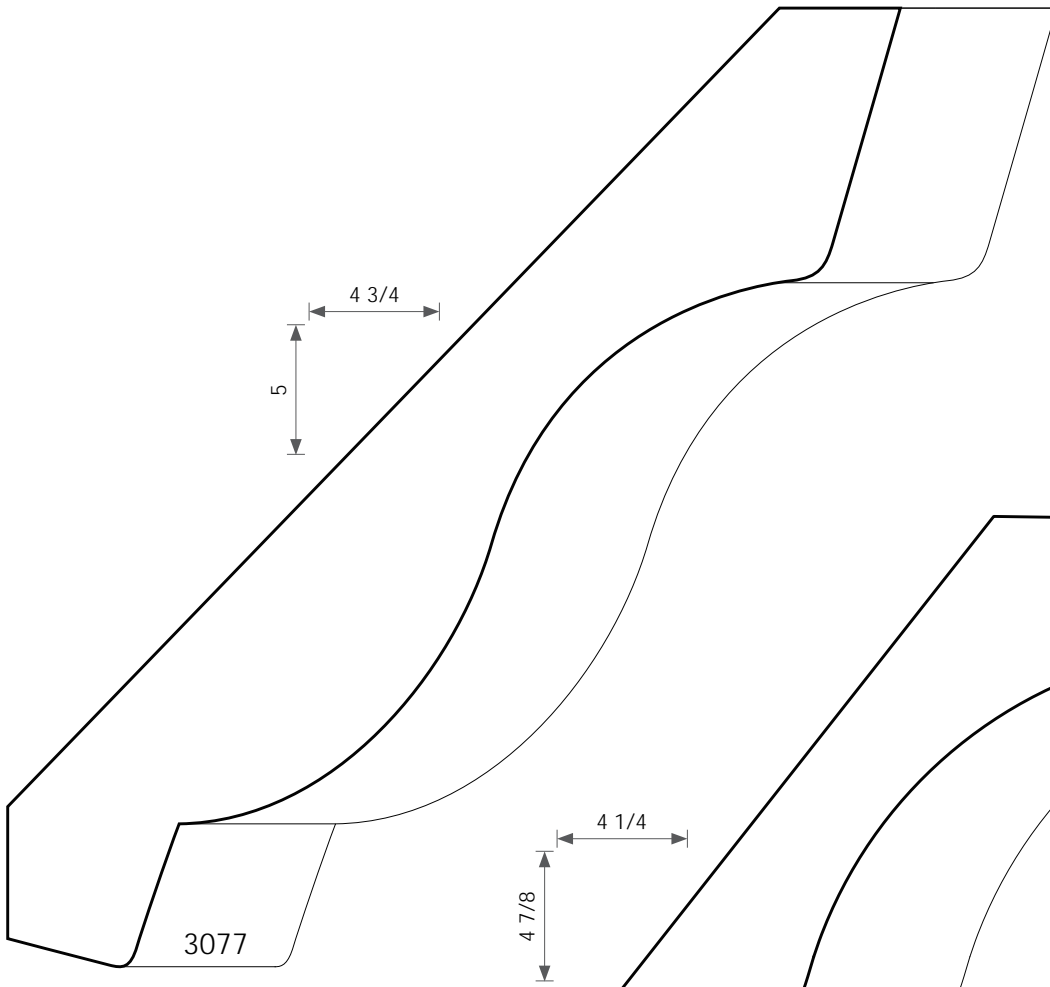
BASEBOARD



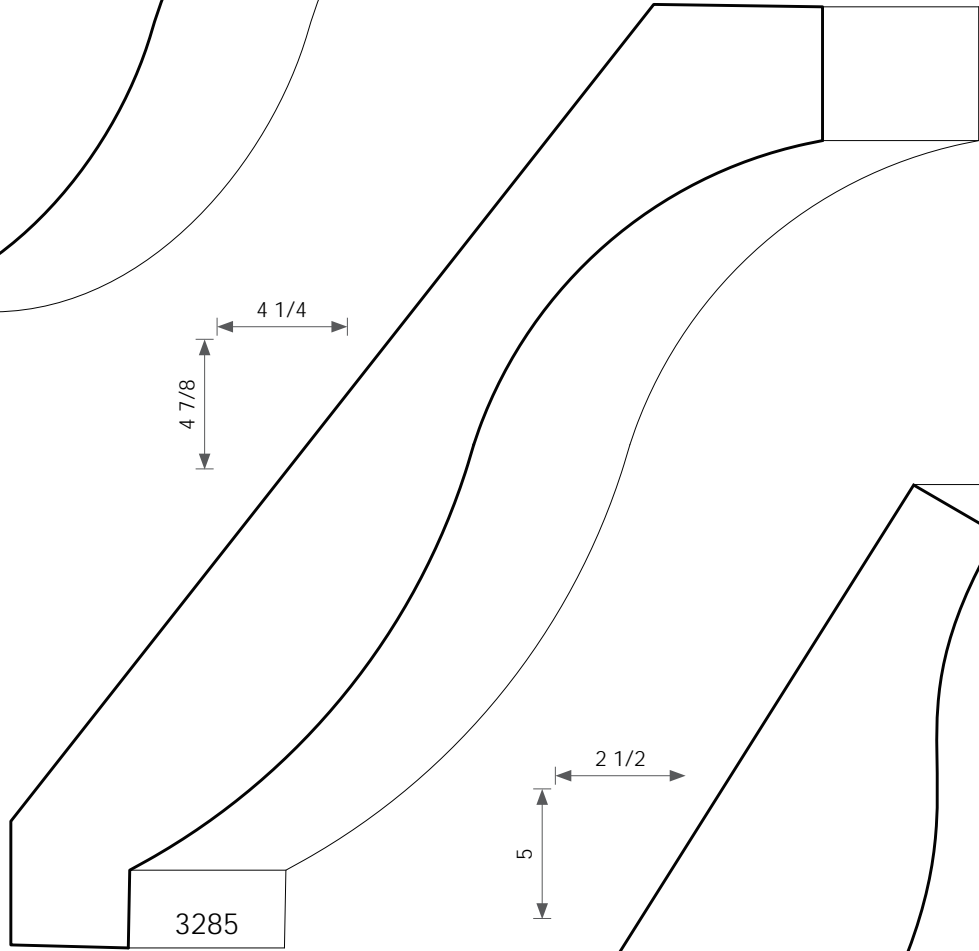


# CROWN

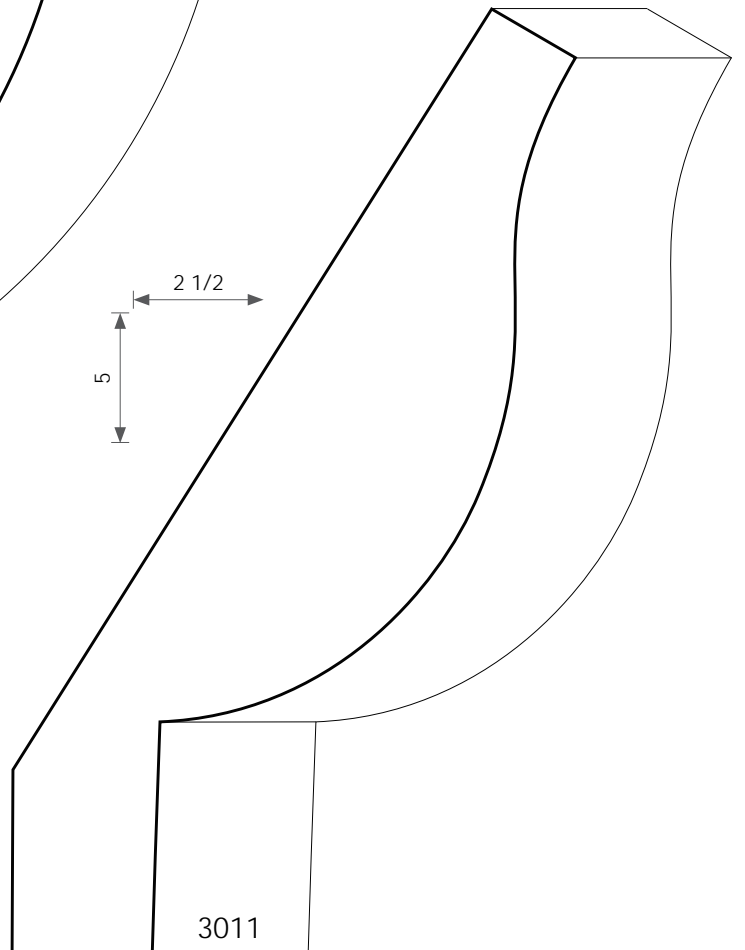
OGEE OR CYMA-RECTA WITH FILLET



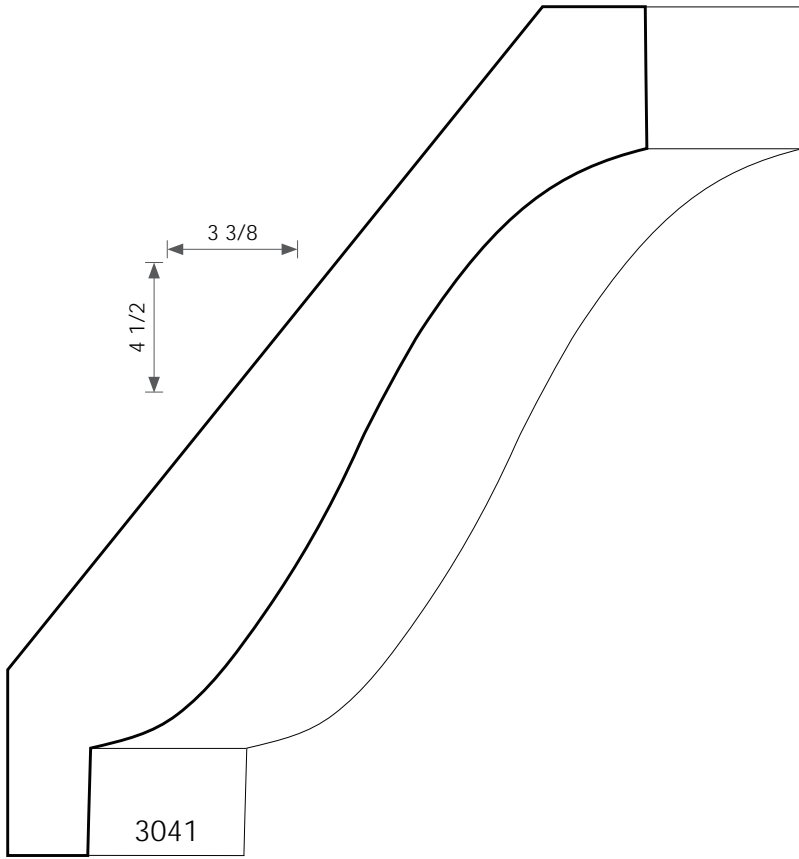
1-1/8T X 6-5/8W



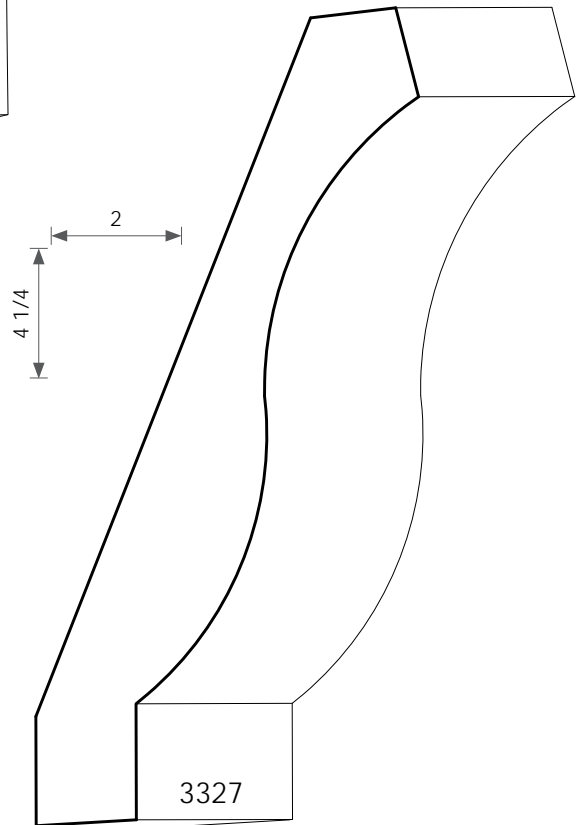
1-1/8T X 6-1/2W



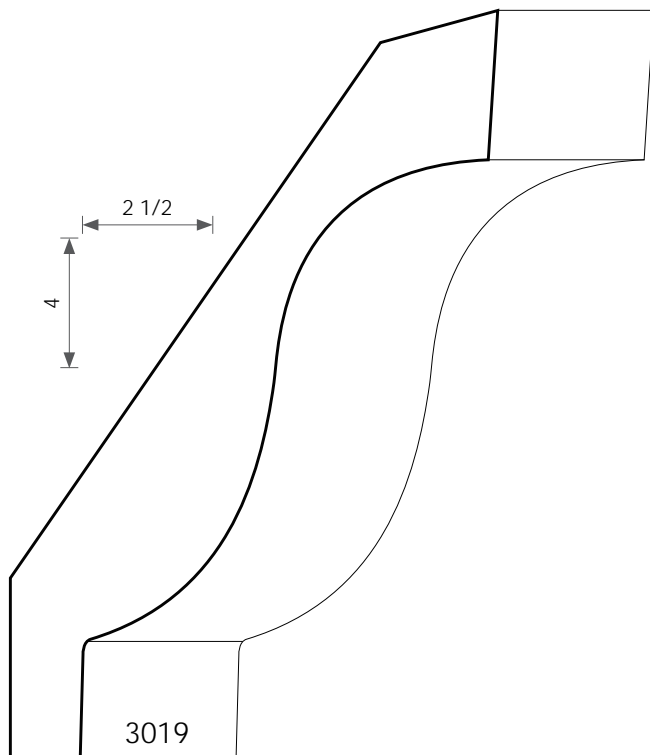
1-1/4T X 5-1/2W



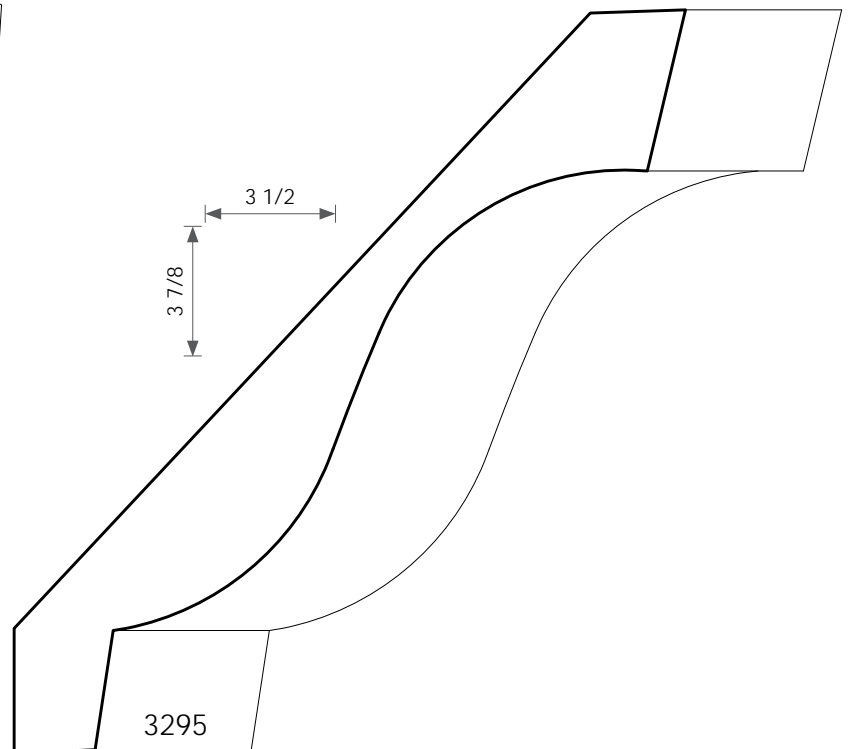
7/8T X 5-1/2W



11/16T X 4-5/8W



13/16T X 4-5/8W

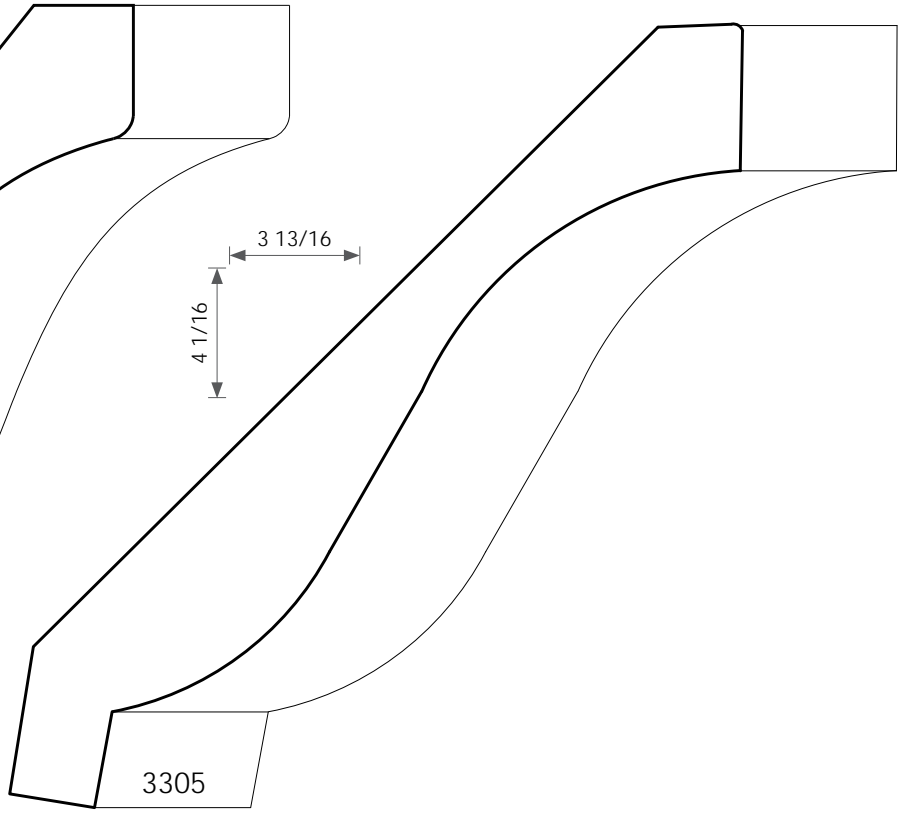


3/4T X 5-1/4W

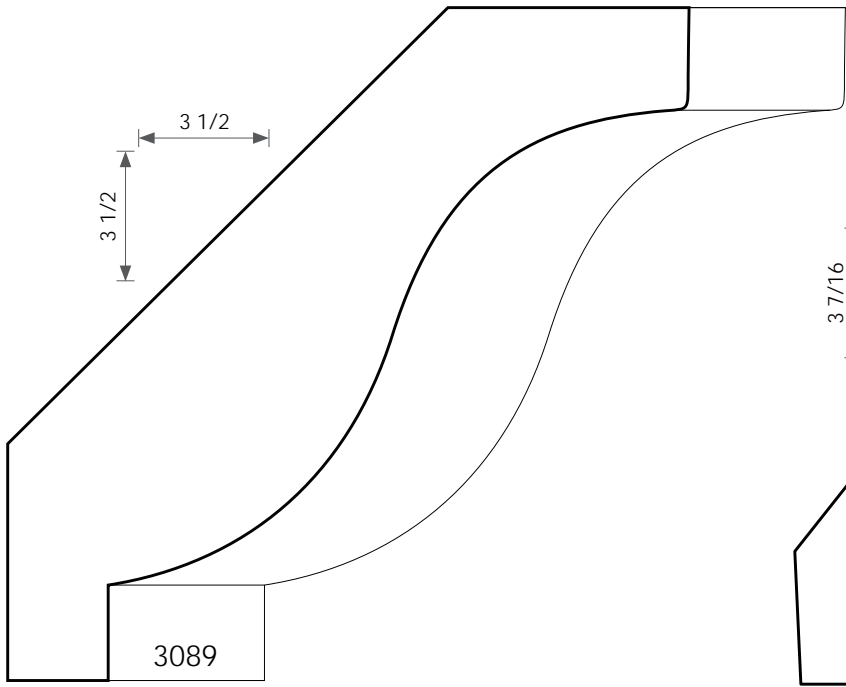
**CROWN**  
OGEE OR CYMA-RECTA WITH FILLET



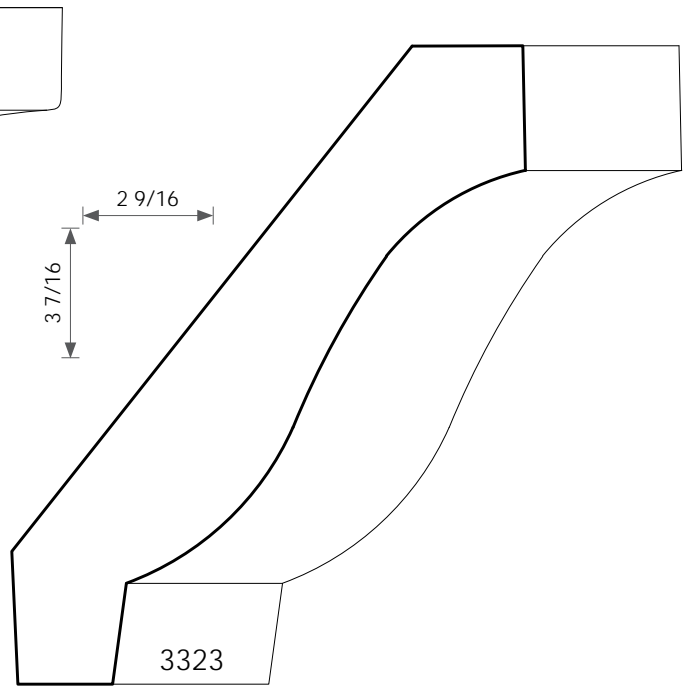
3/4T X 5-1/8W



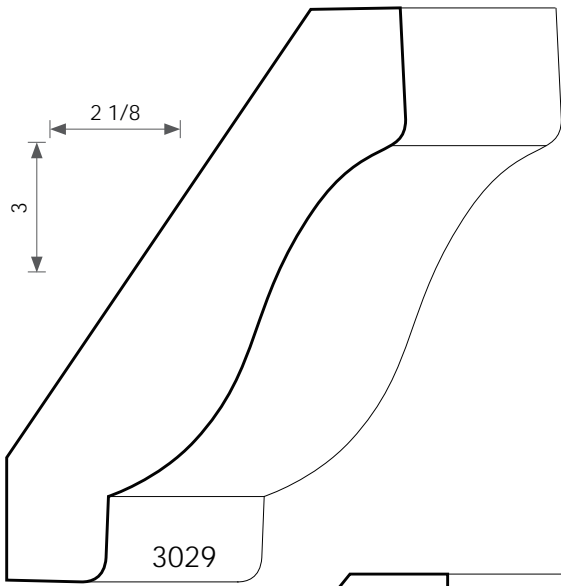
13/16T X 5-1/2W



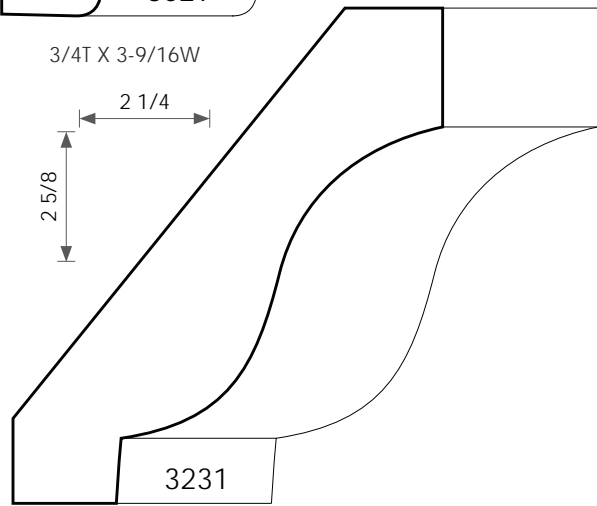
1-1/4T X 4-15/16W



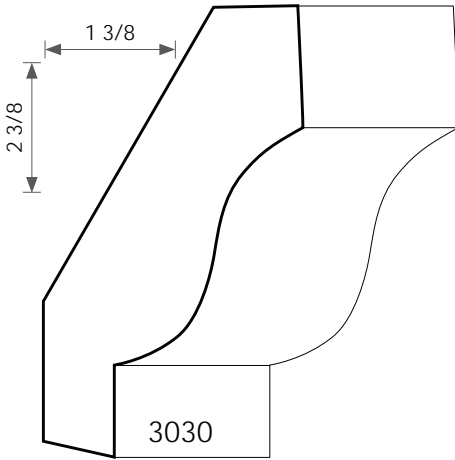
13/16T X 4-3/16W



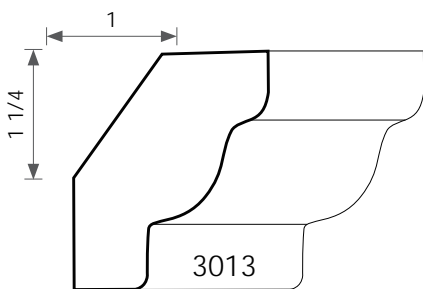
3/4T X 3-9/16W



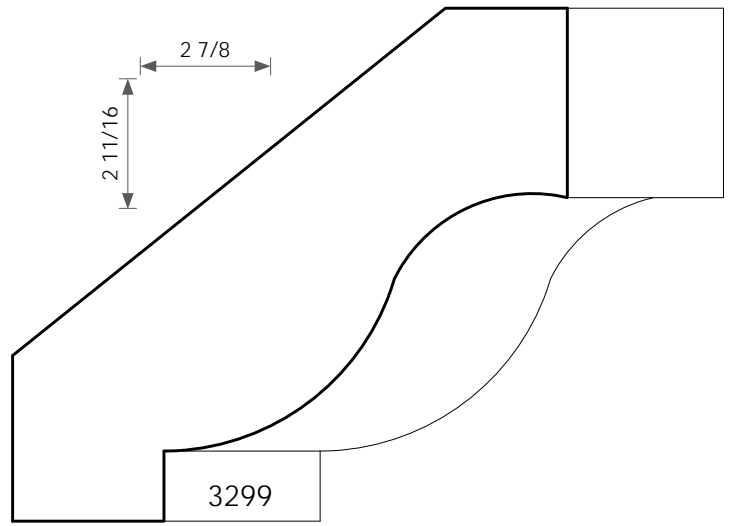
3/4T X 3-3/8W



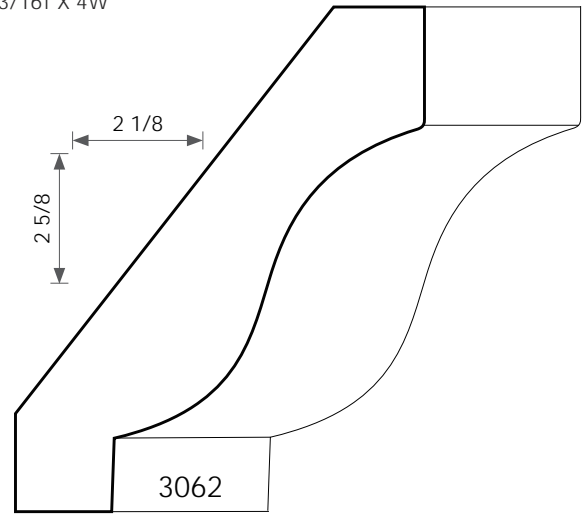
11/16T X 2-5/8W



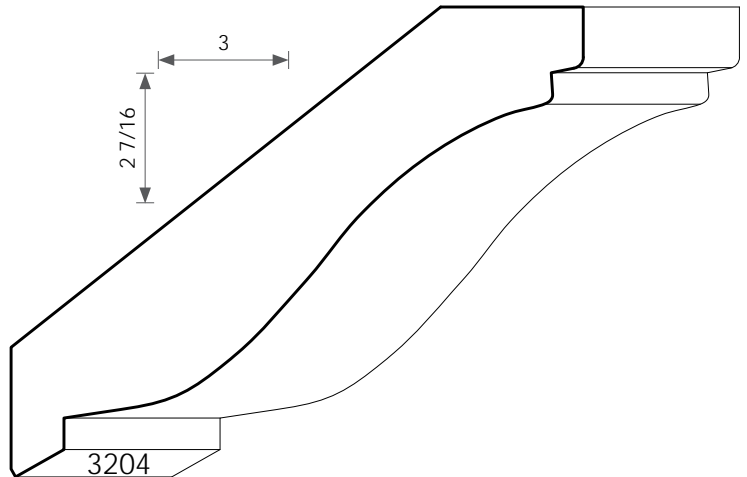
5/8T X 1-5/8W



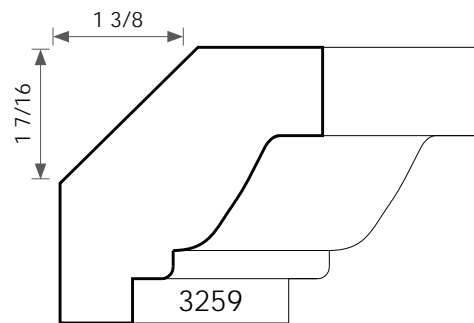
1-3/16T X 4W



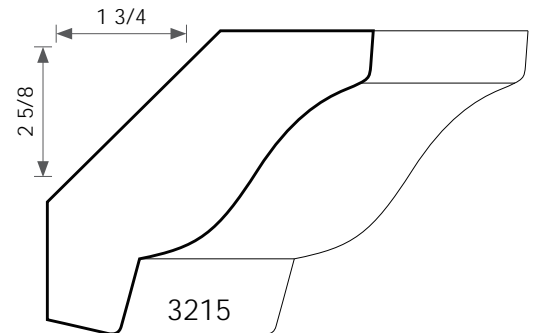
3/4T X 3-3/8W



3/4T X 3-7/8W



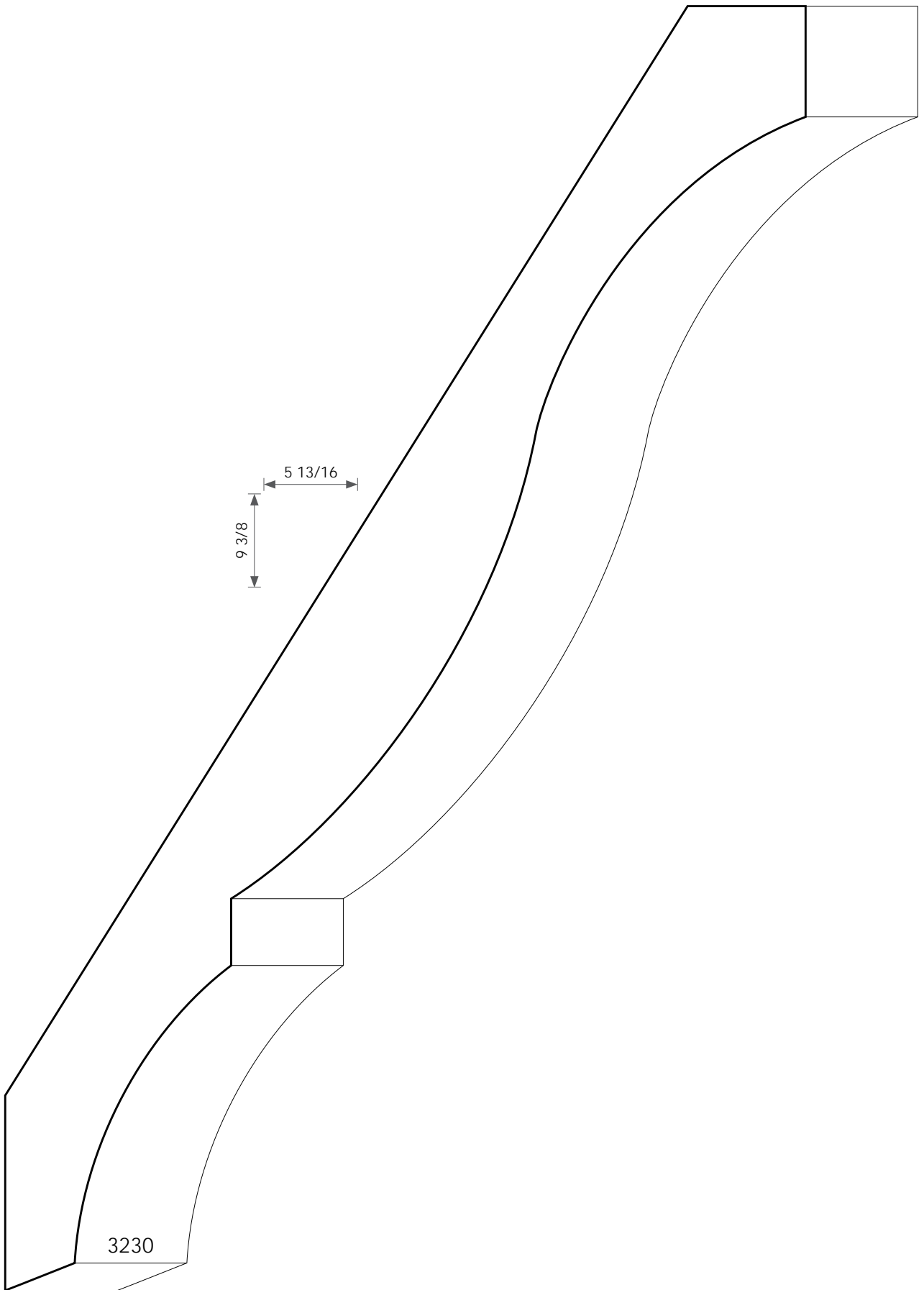
3/4T X 1-7/8W



11/16T X 2-1/4W

# CROWN

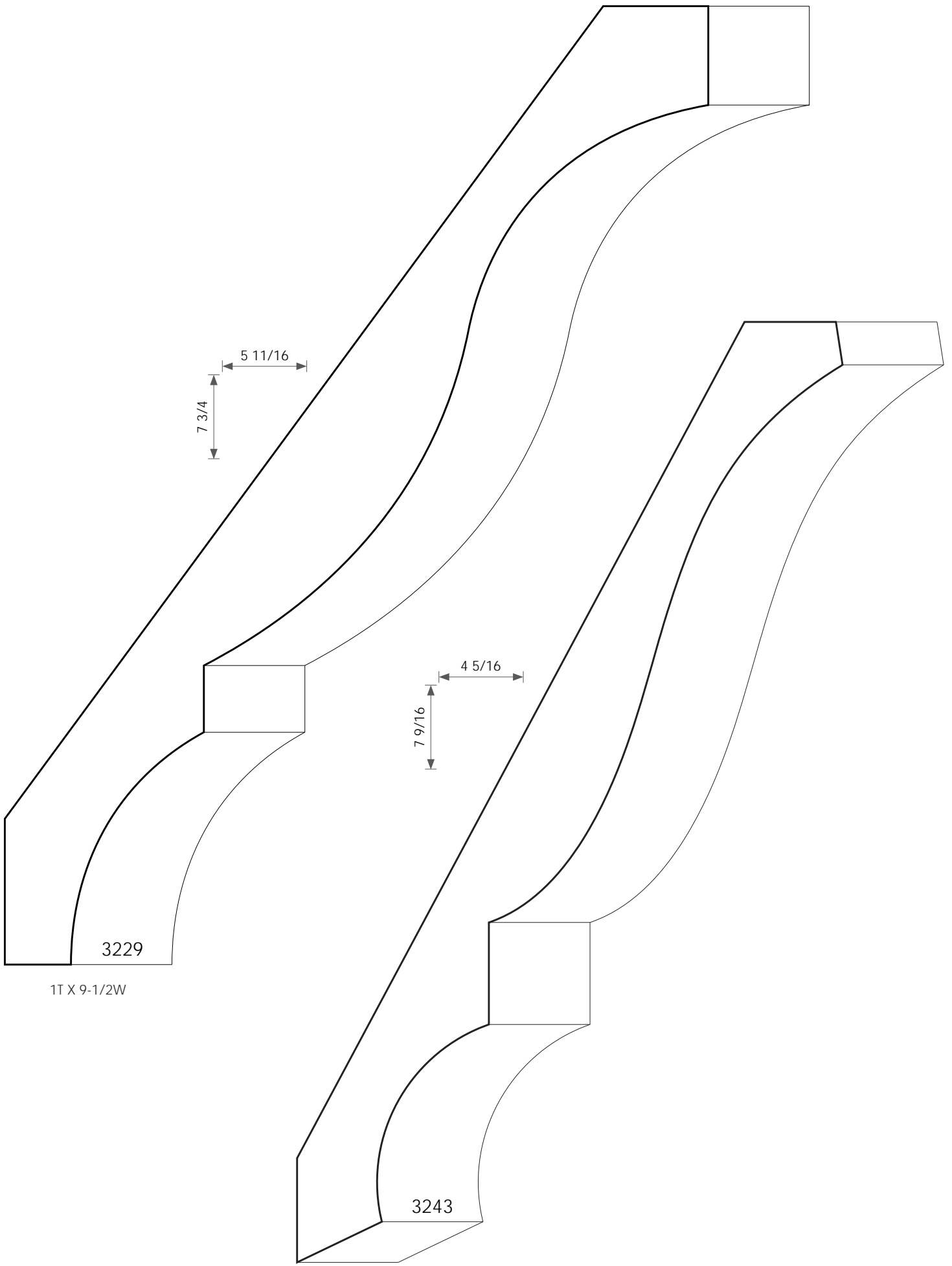
OGEE OR CYMA-RECTA WITH COVE



3230

1T X 10-7/8W





3229

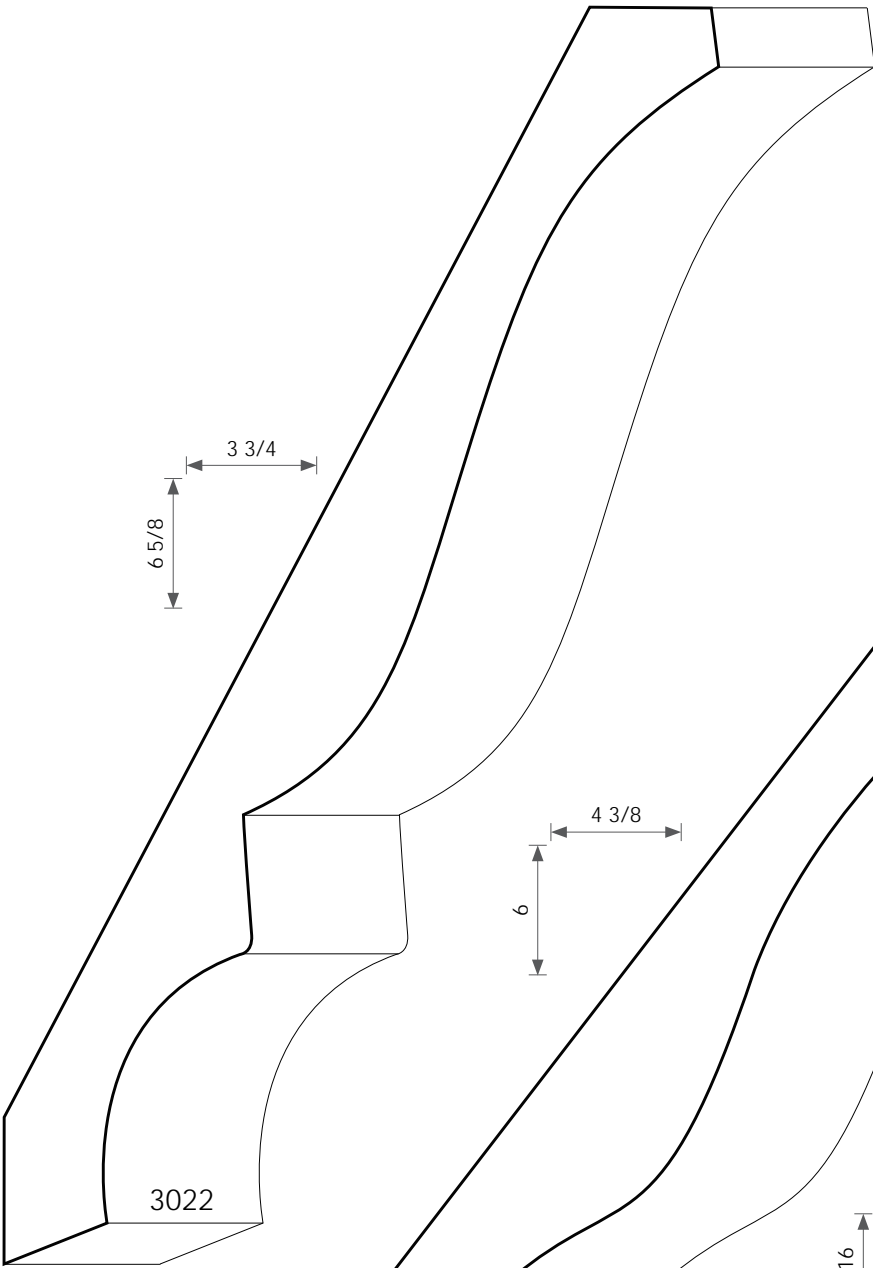
1T X 9-1/2W

3243

13/16T X 8-1/2W

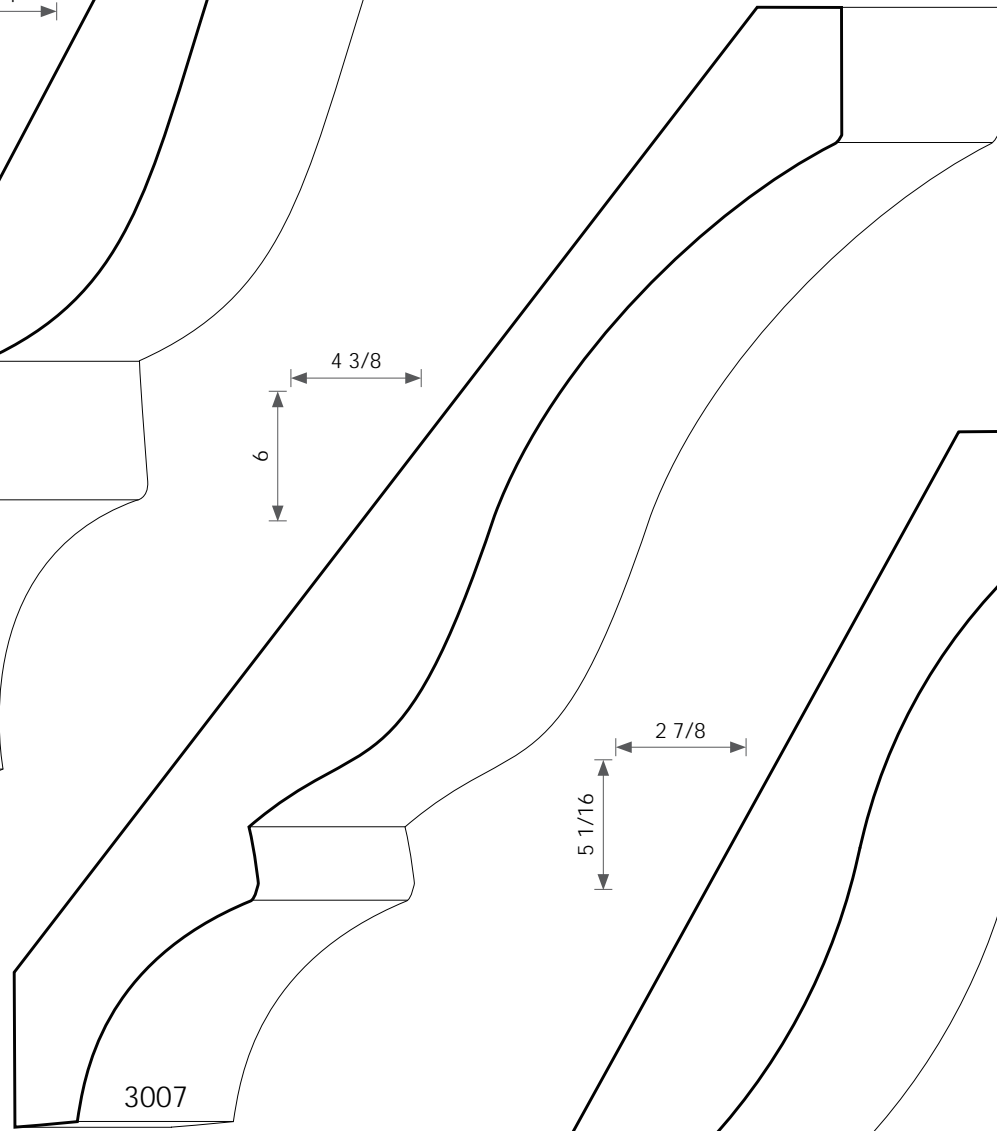
# CROWN

OGEE OR CYMA-RECTIA WITH COVE



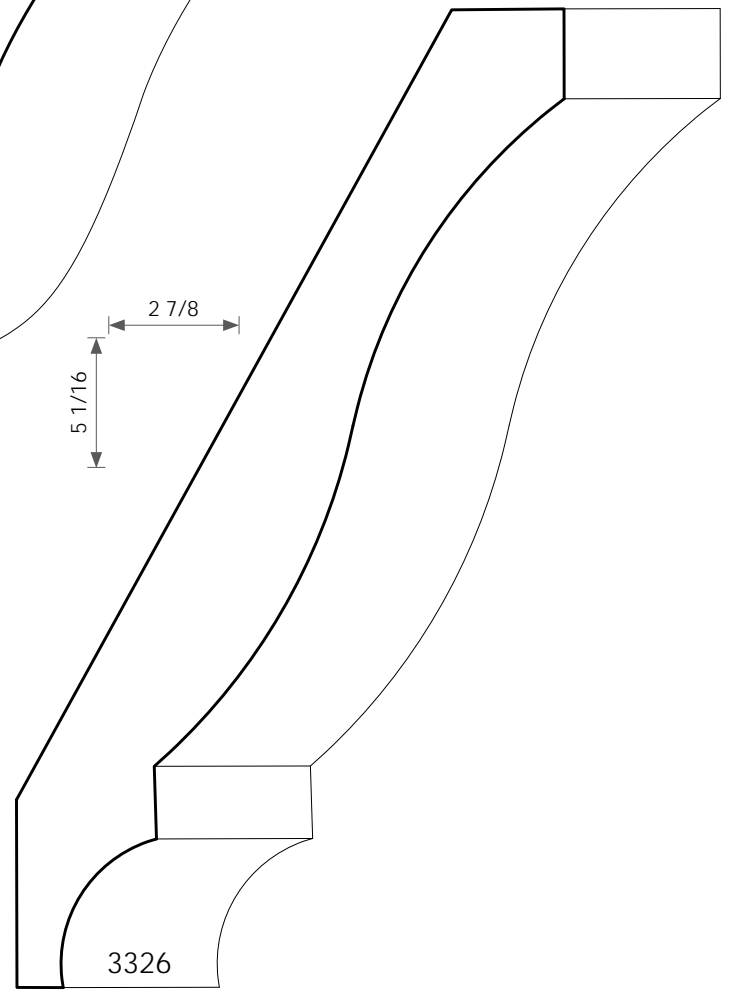
3/4T X 7-1/2W

3022



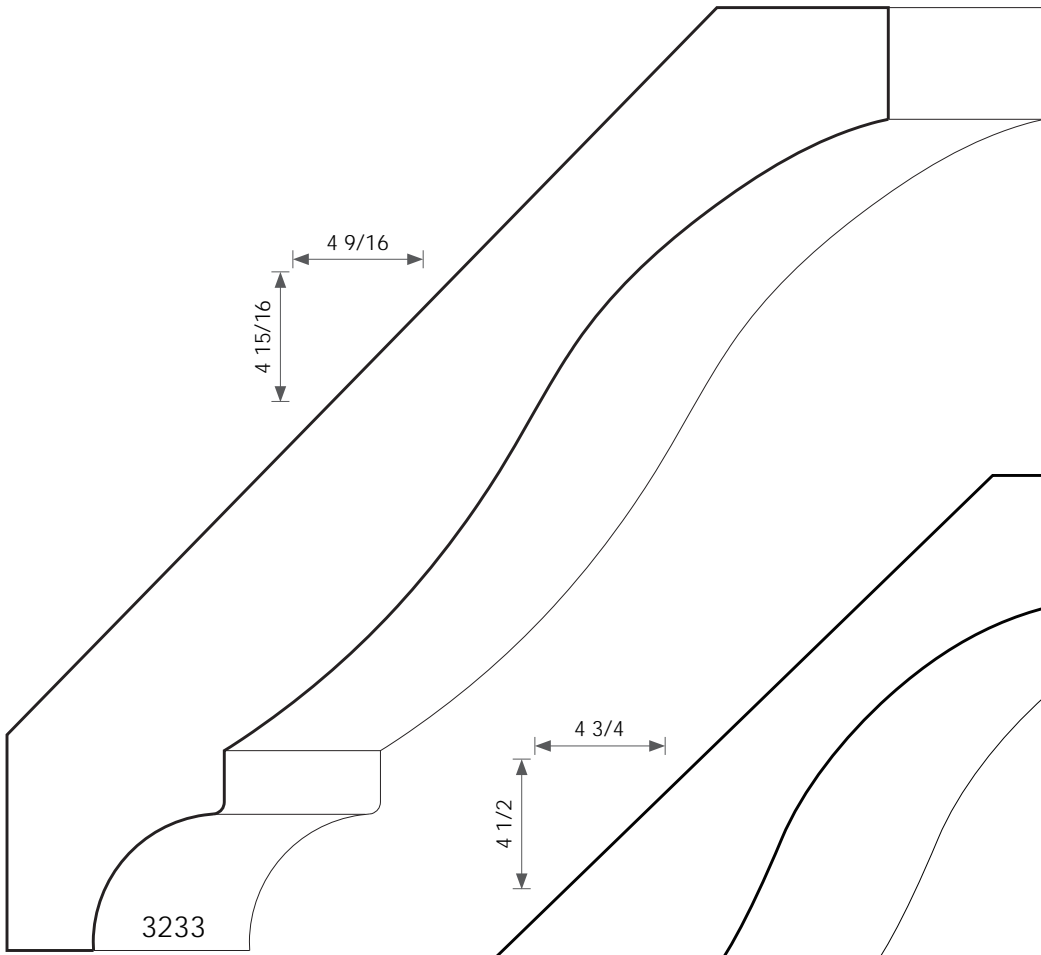
3/4T X 7-1/4W

3007

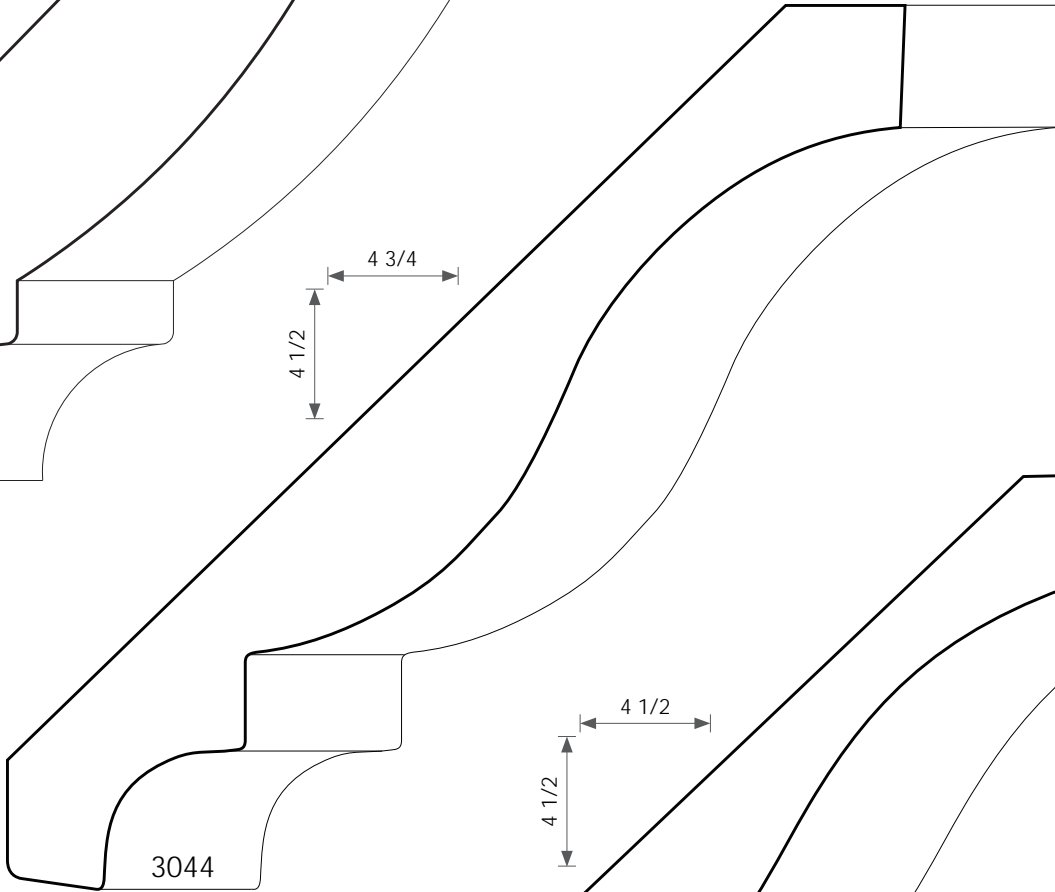


3/4T X 5-13/16W

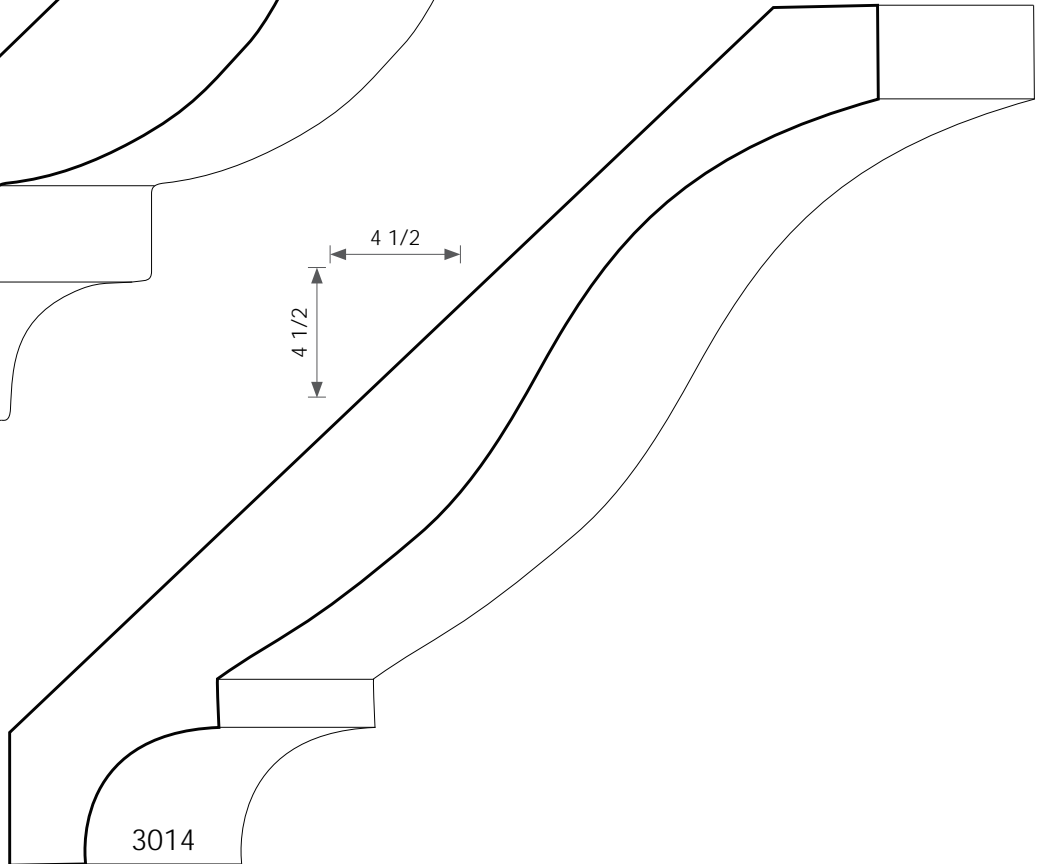
3326



1T X 6-5/8W



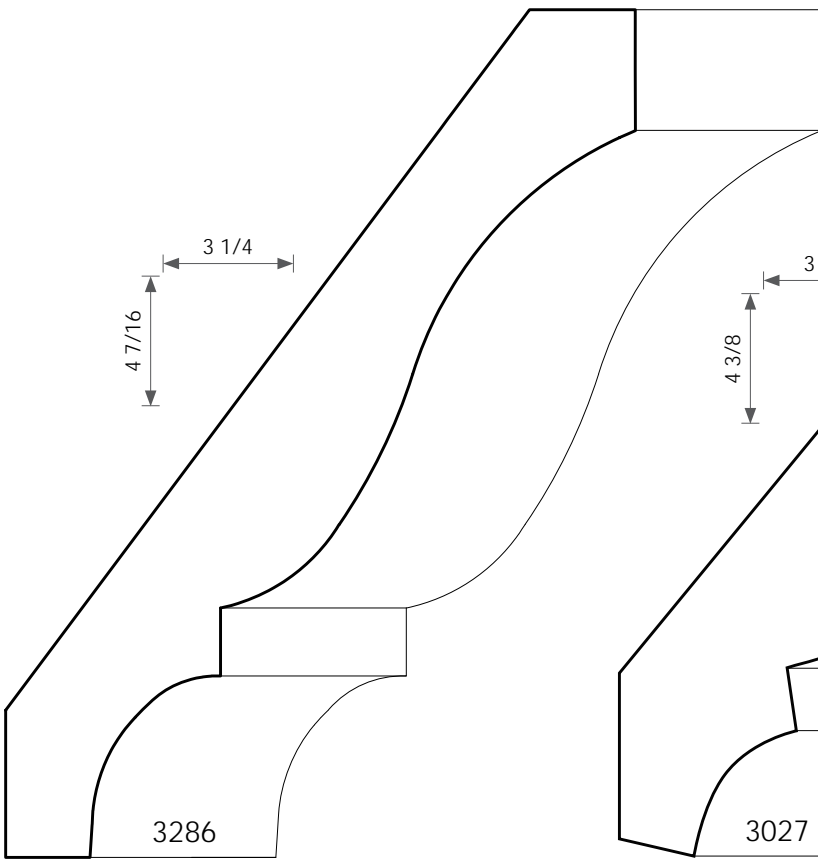
7/8T X 6-7/16W



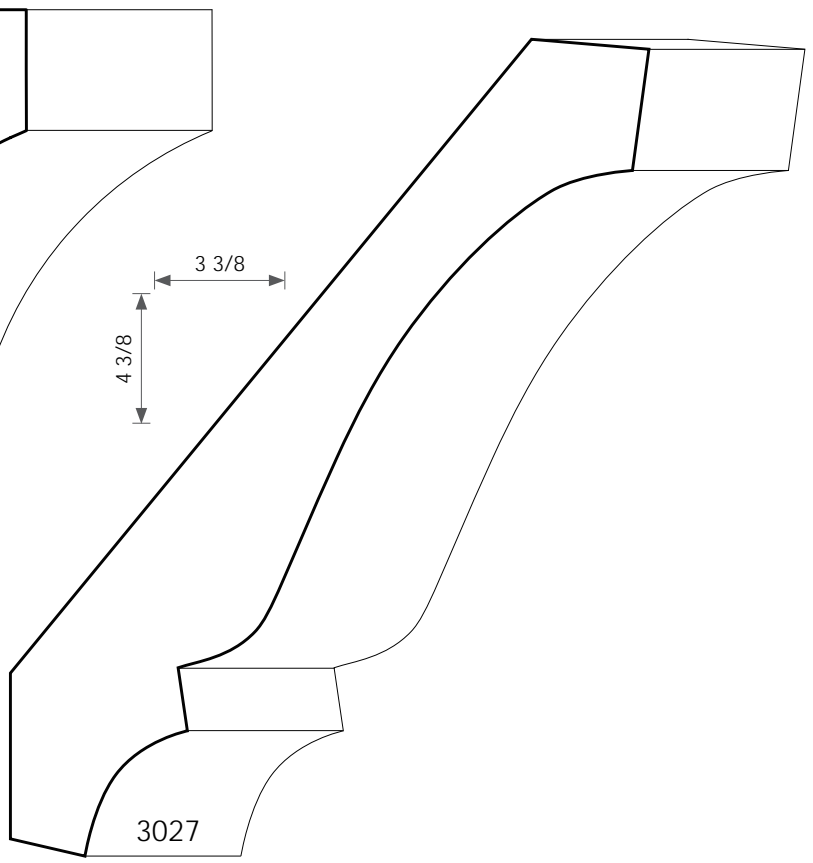
3/4T X 6-1/4W

# CROWN

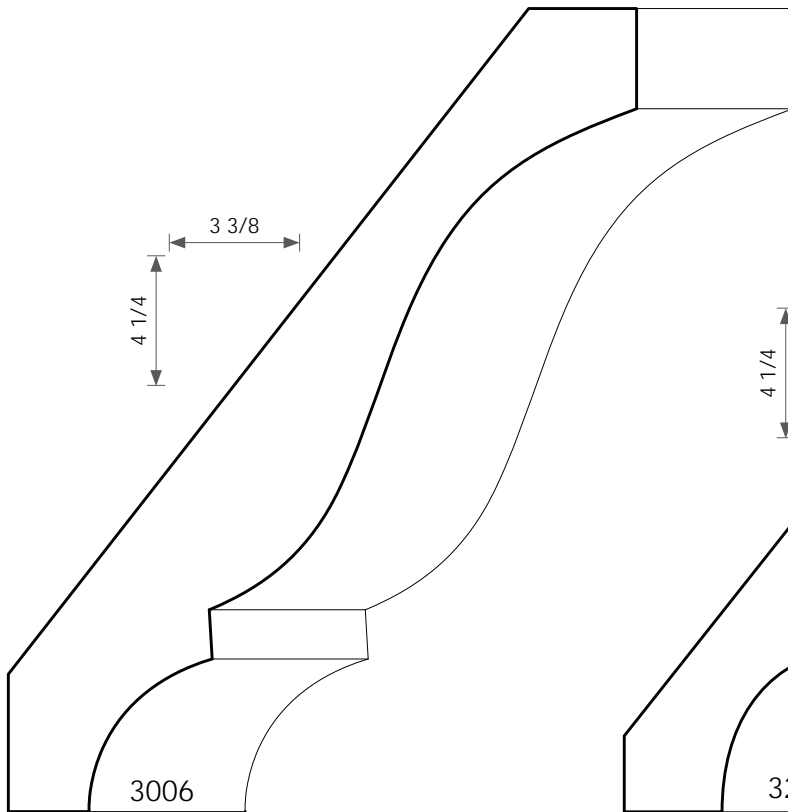
OGEE OR CYMA-RECTIA WITH COVE



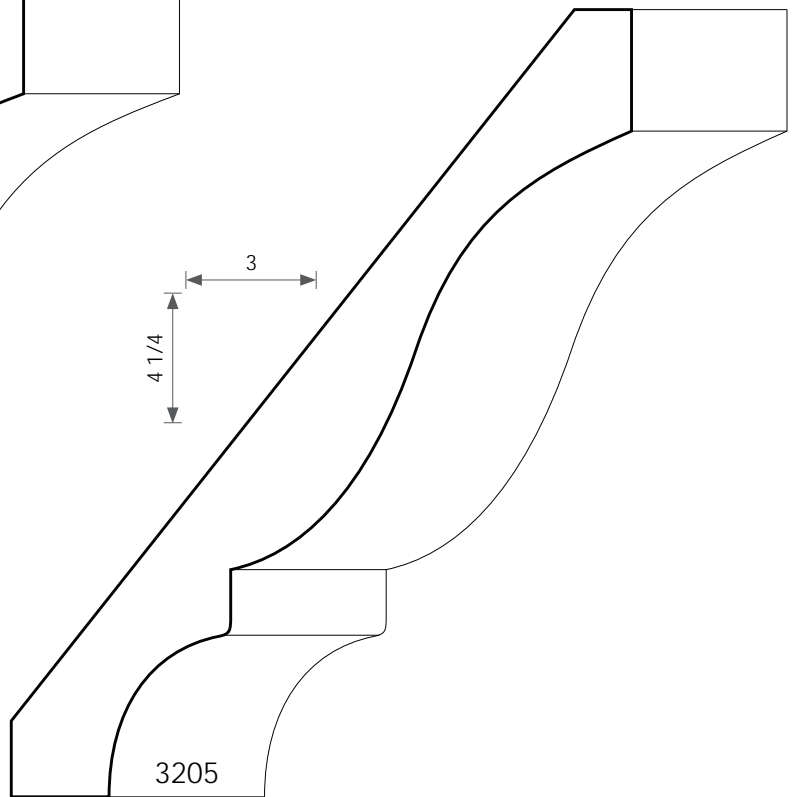
3/4T X 5-1/4W



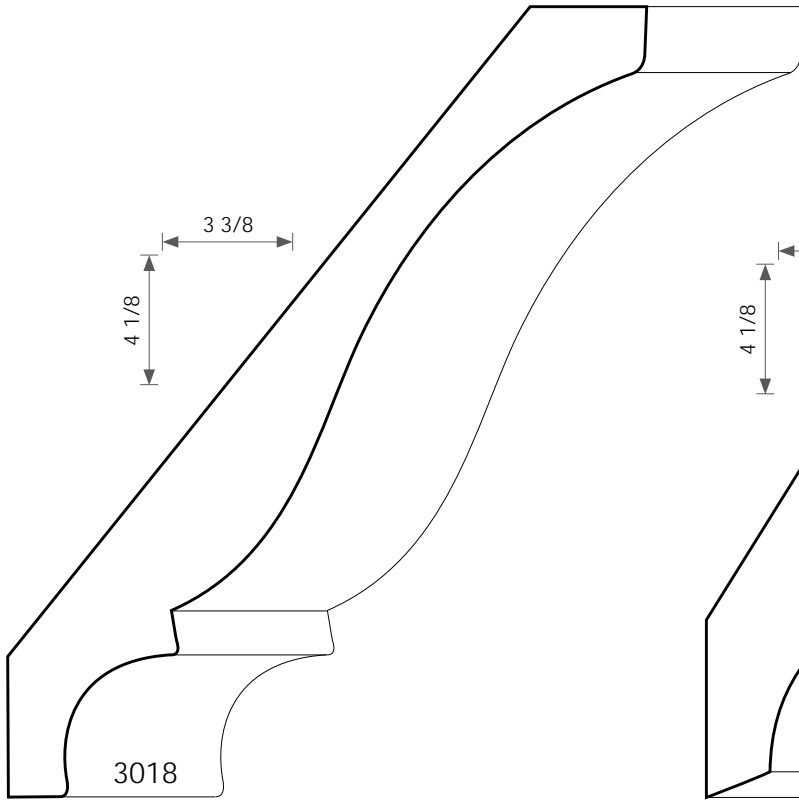
7/8T X 5-1/4W



3/4T X 5-1/4W

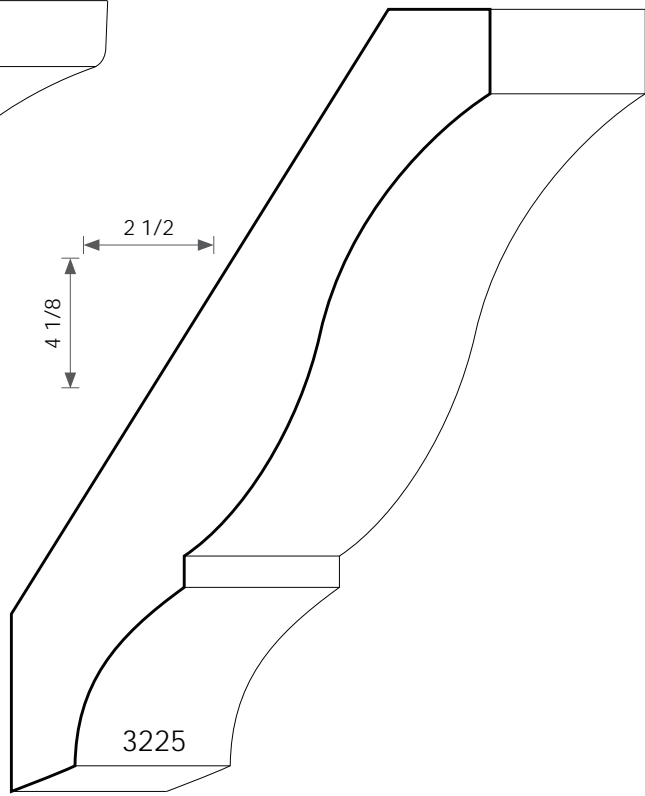


5/8T X 5-1/4W



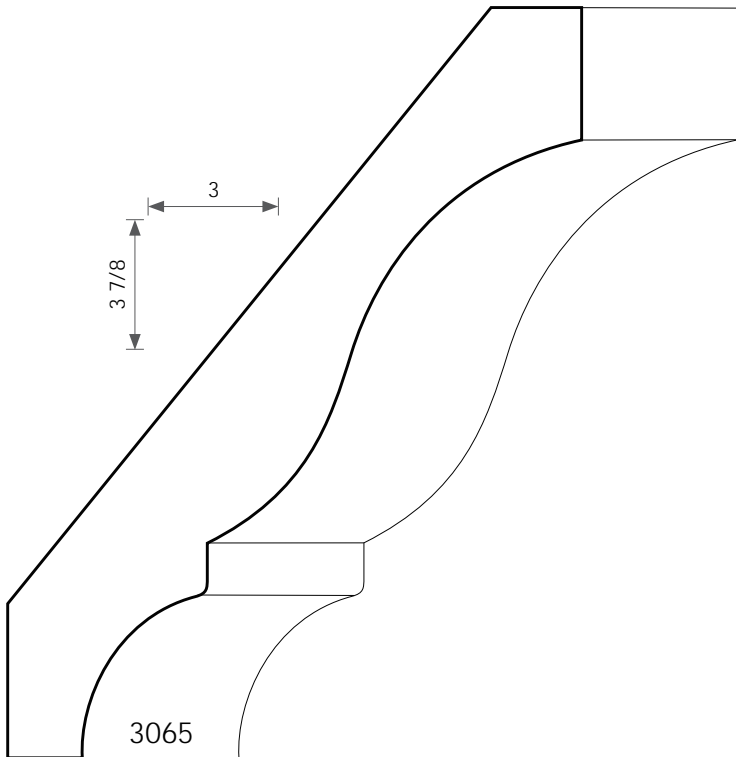
3018

11/16T X 5-1/4W



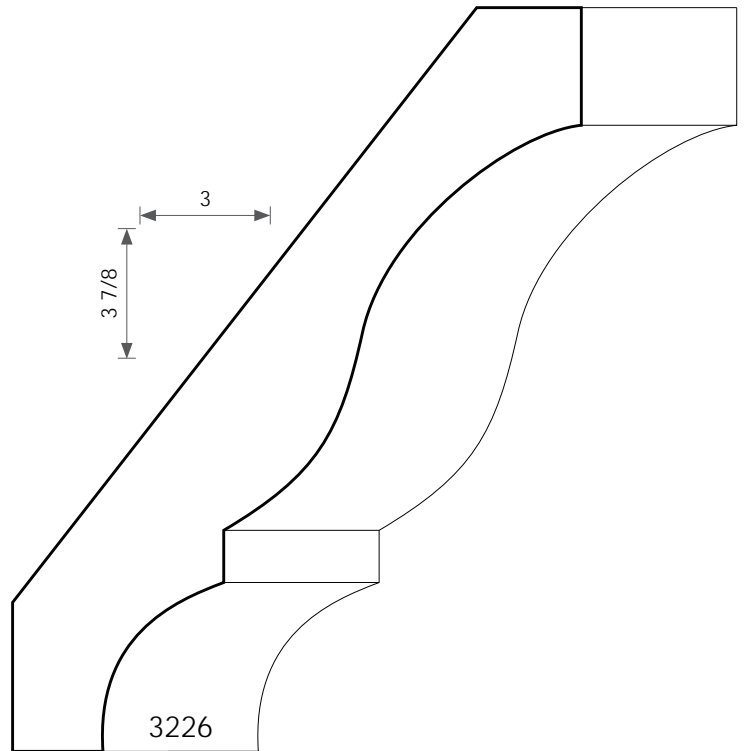
3225

11/16T X 4-3/4W



3065

3/4T X 4-7/8W

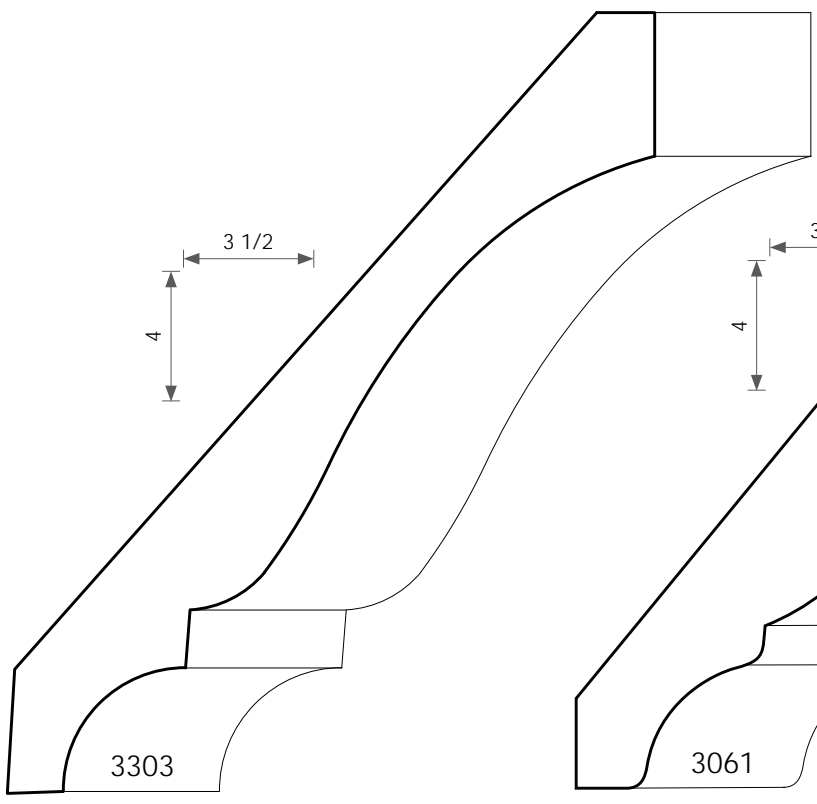


3226

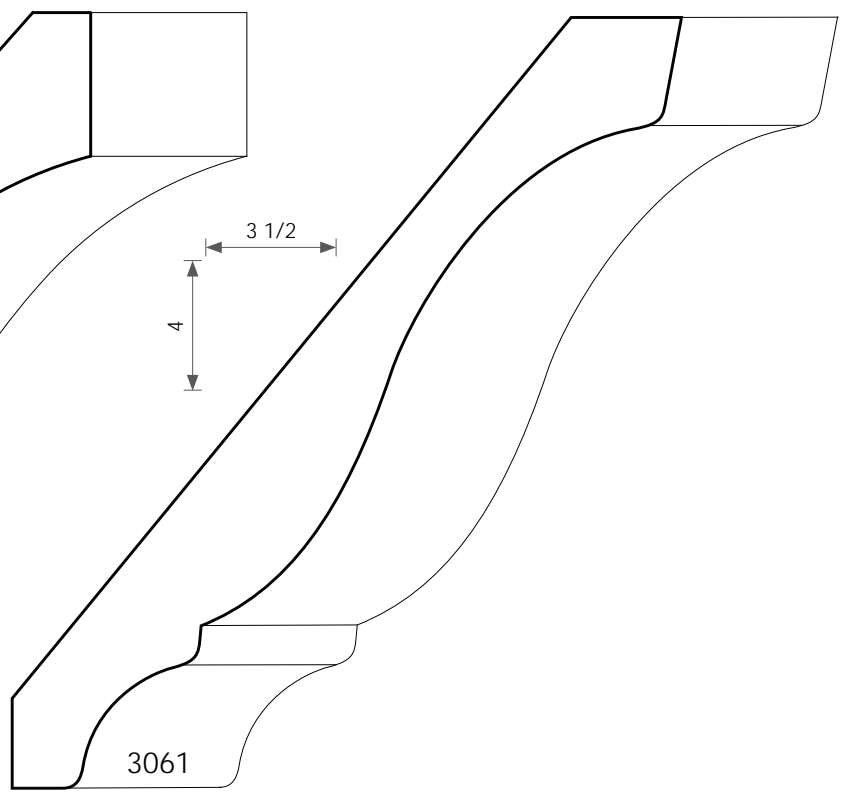
13/16T X 4-7/8W

# CROWN

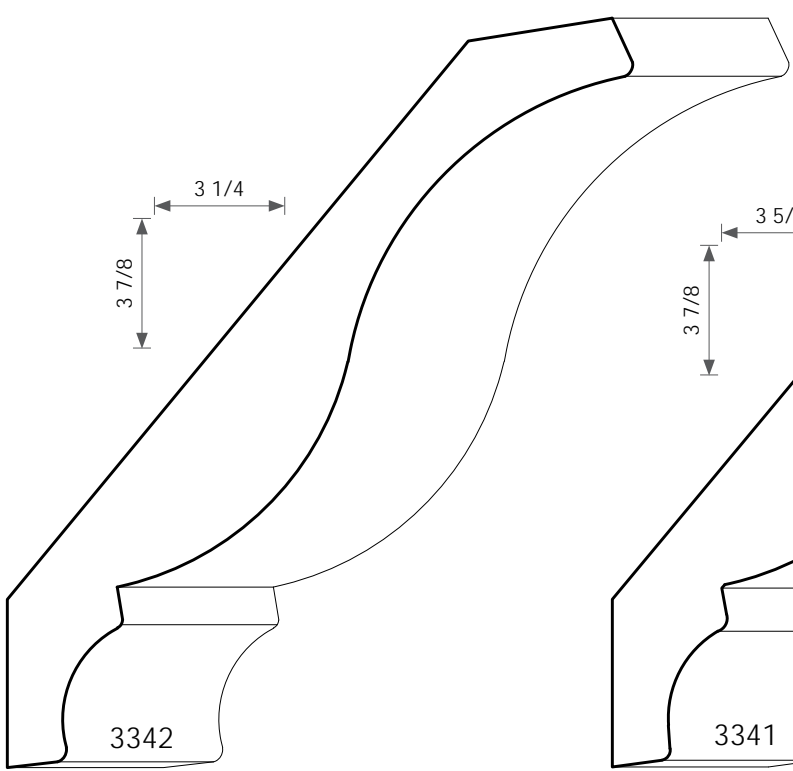
OGEE OR CYMA-RECTIA WITH COVE



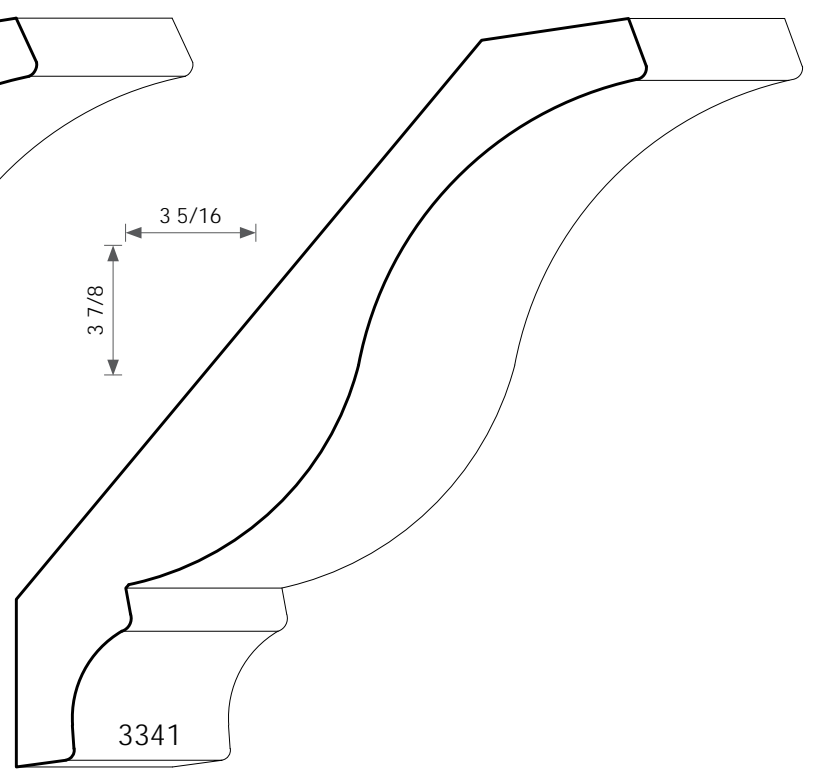
11/16T X 5-1/4W



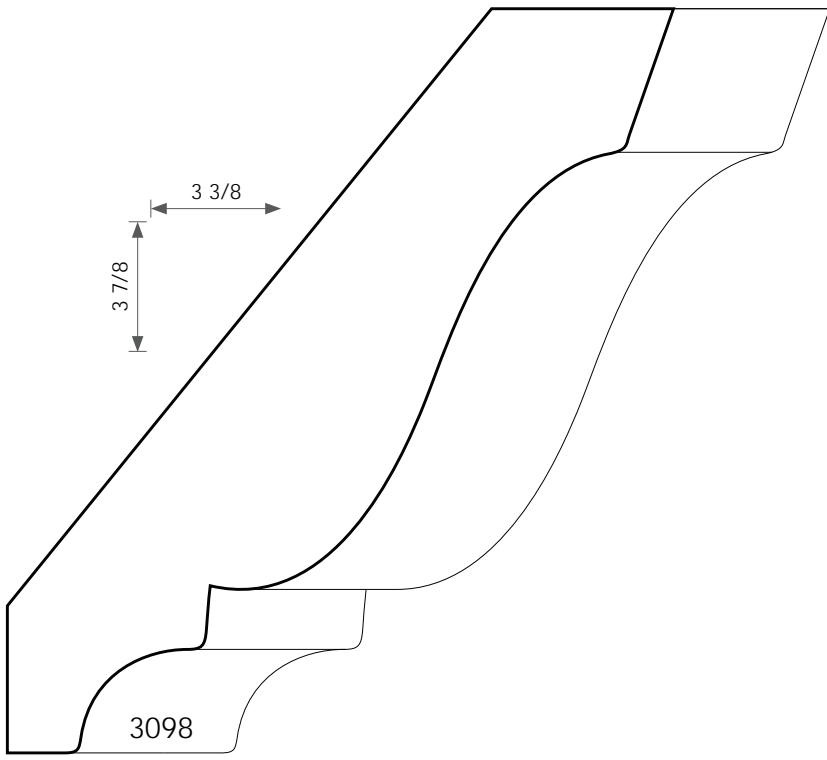
11/16T X 5-1/4W



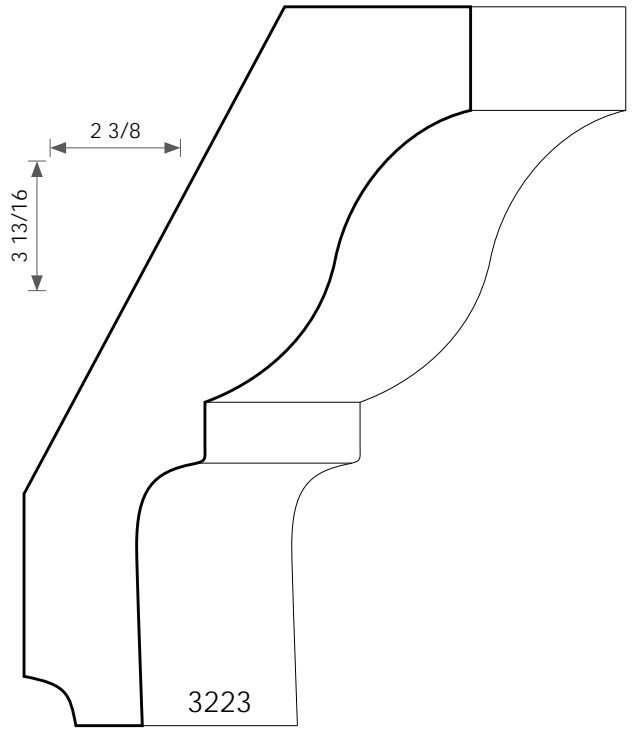
7/8T X 5-3/8W



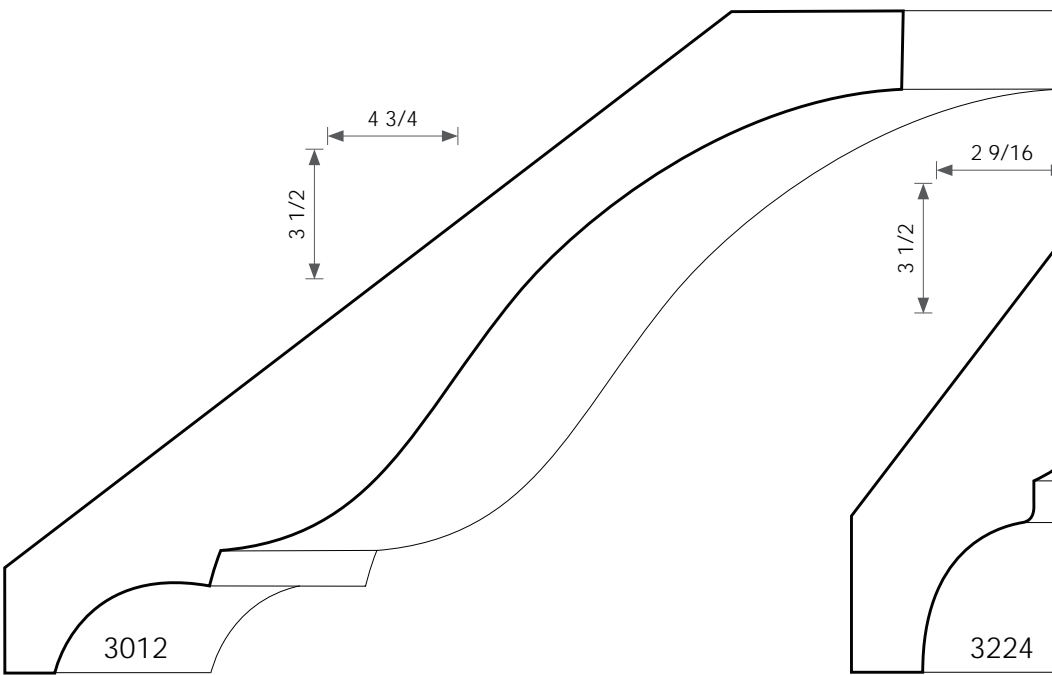
3/4T X 5W



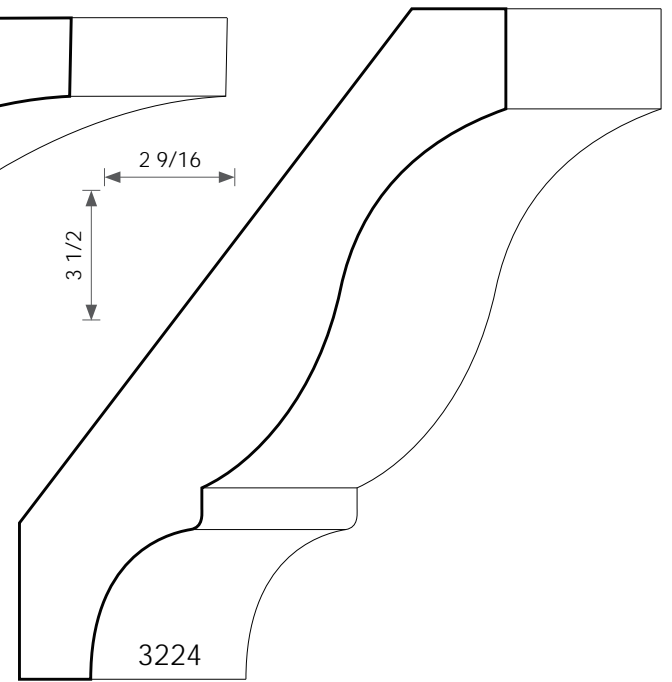
1-1/8T X 5-1/8W



1-1/8T X 4-1/4W

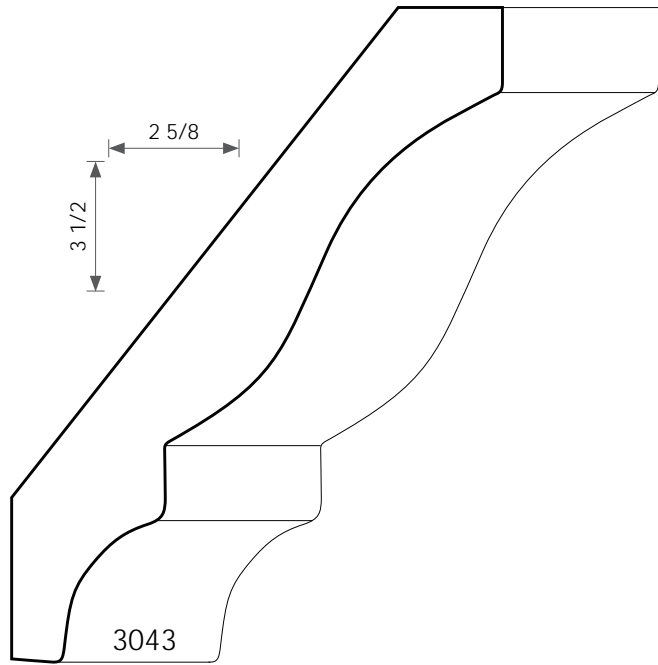
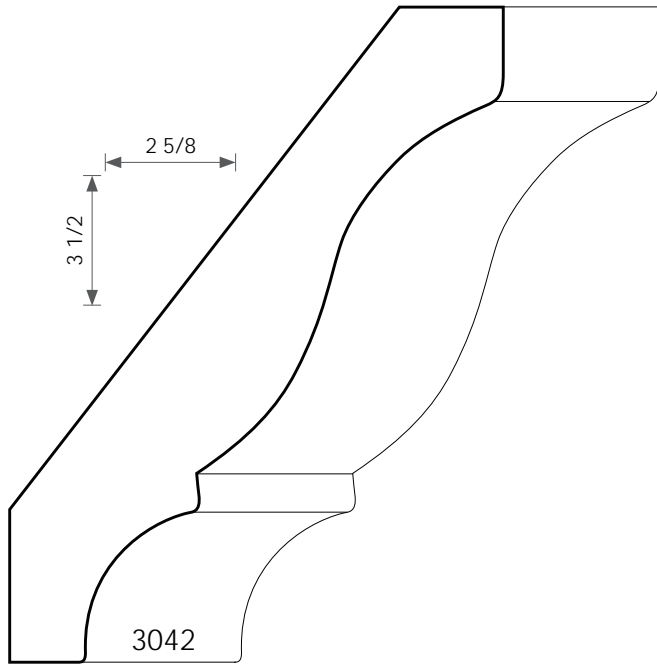
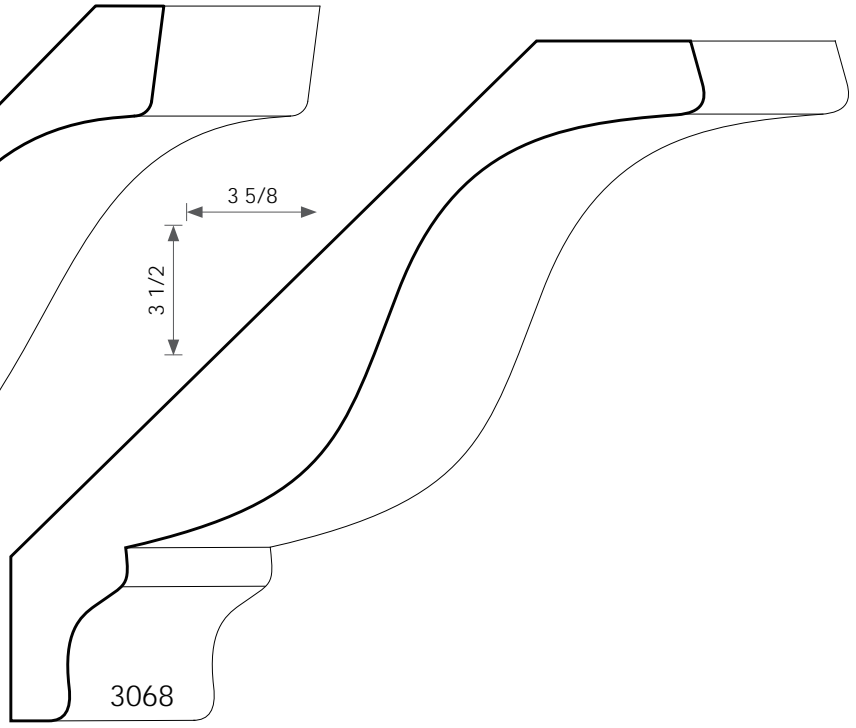
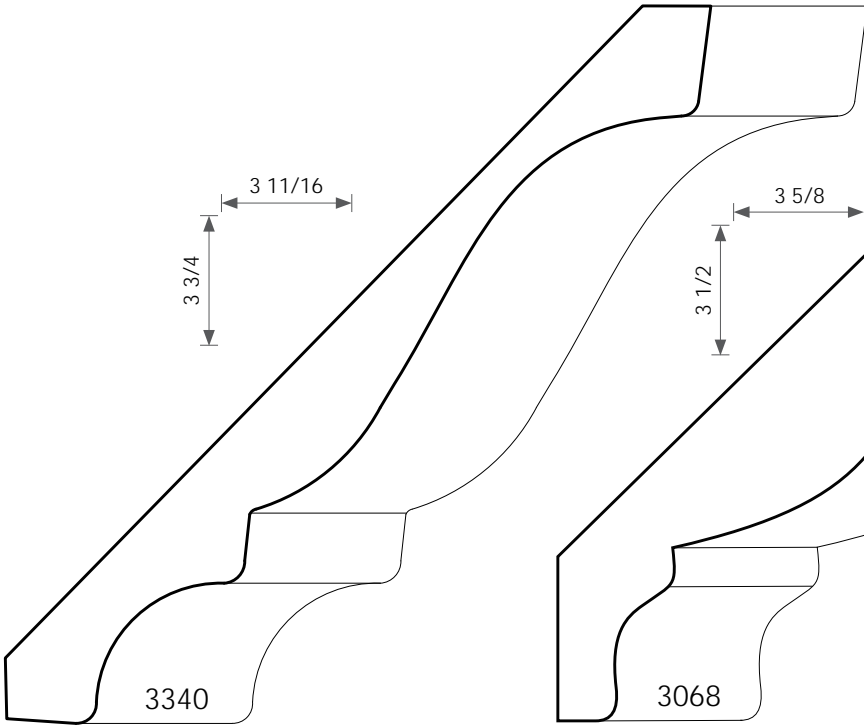


13/16T X 5-3/4W

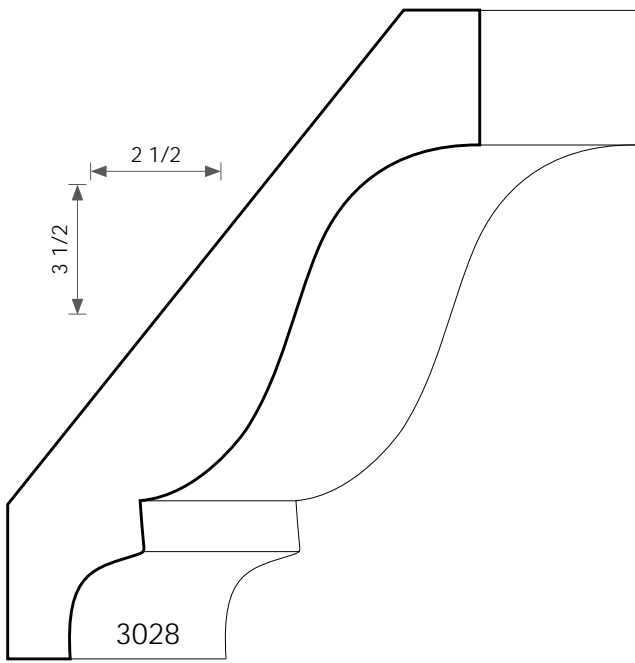


3/4T X 4-1/4W

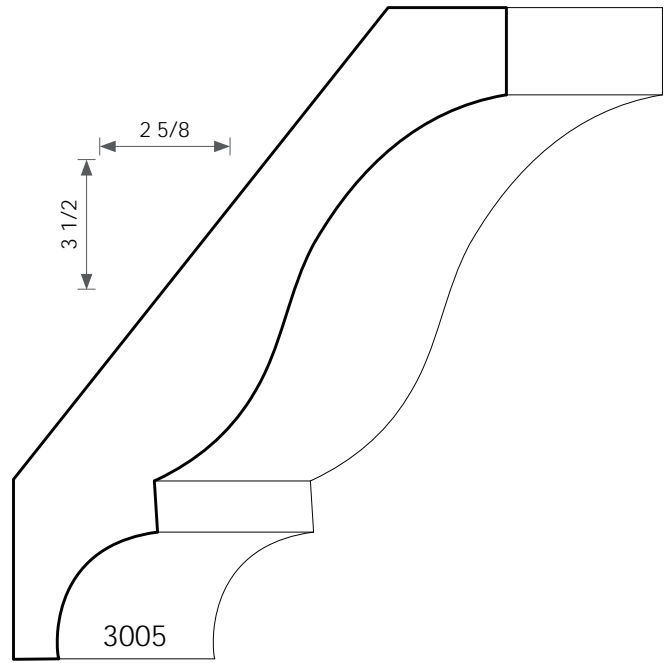
CROWN  
OGEE OR CYMA-RECTIA WITH COVE



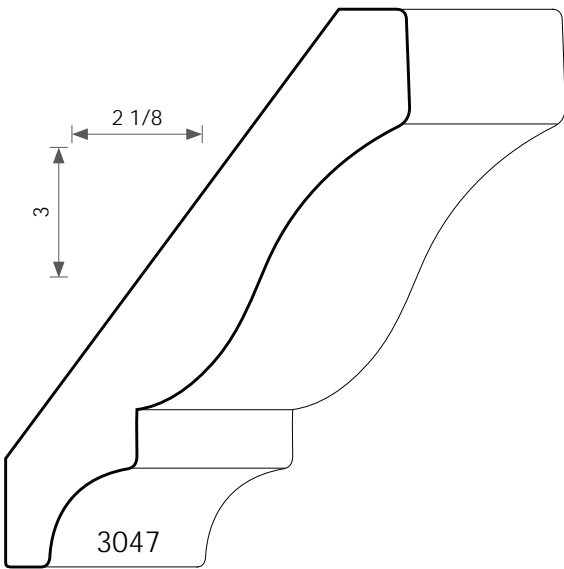




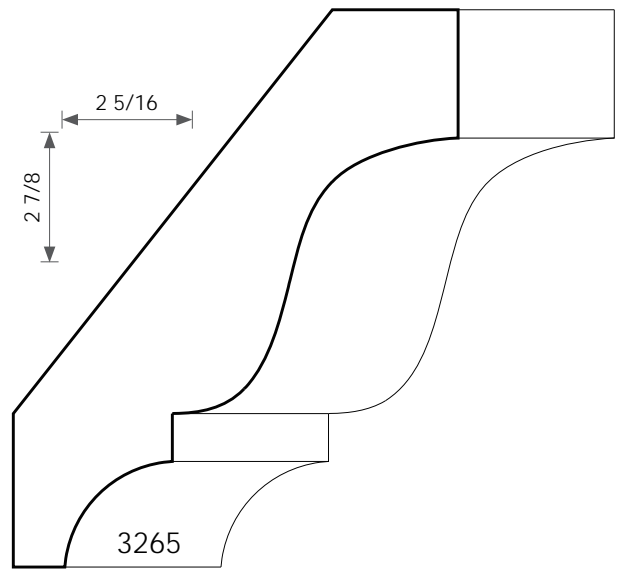
1-1/16T X 4-1/8W



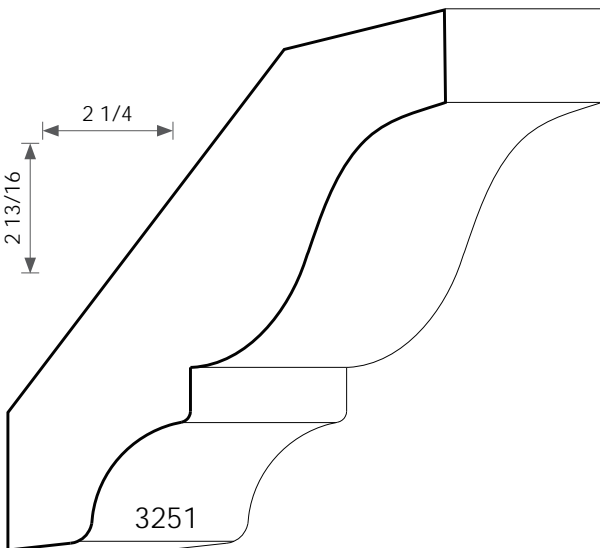
3/4T X 4-1/4W



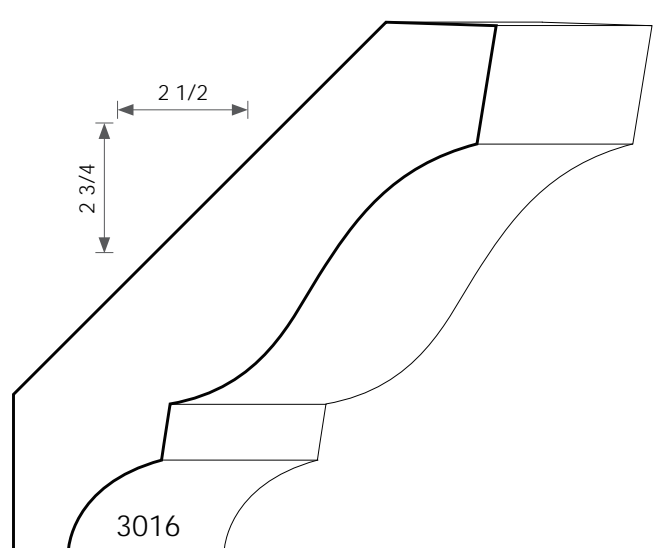
5/8T X 3-9/16W



1-1/8T X 3-1/2W

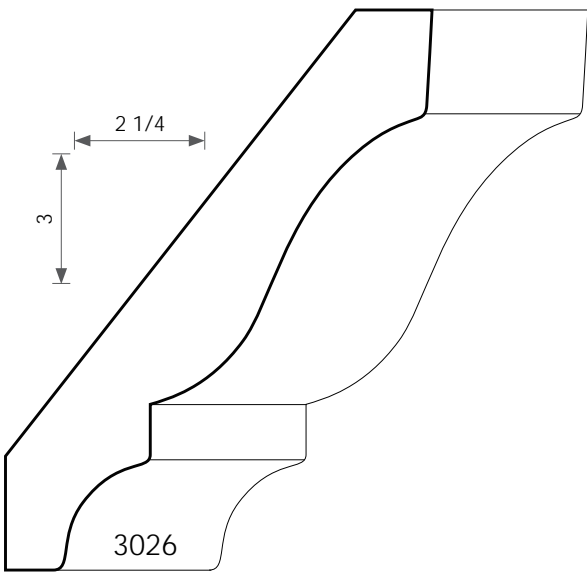


13/16T X 3-1/2W

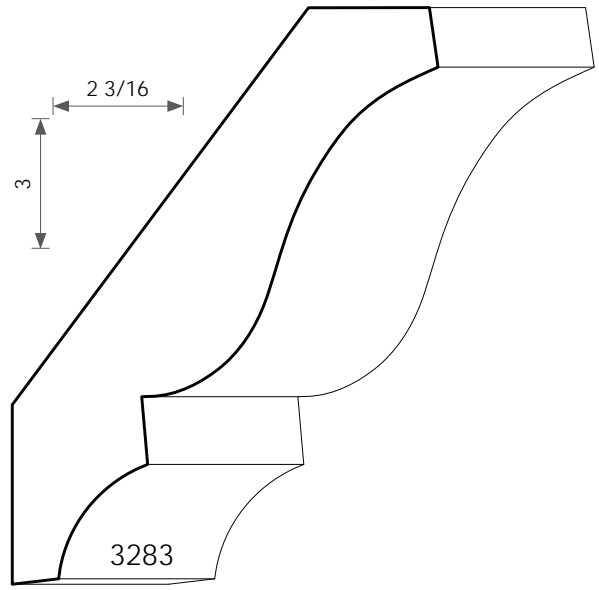


3/4T X 3-3/4W

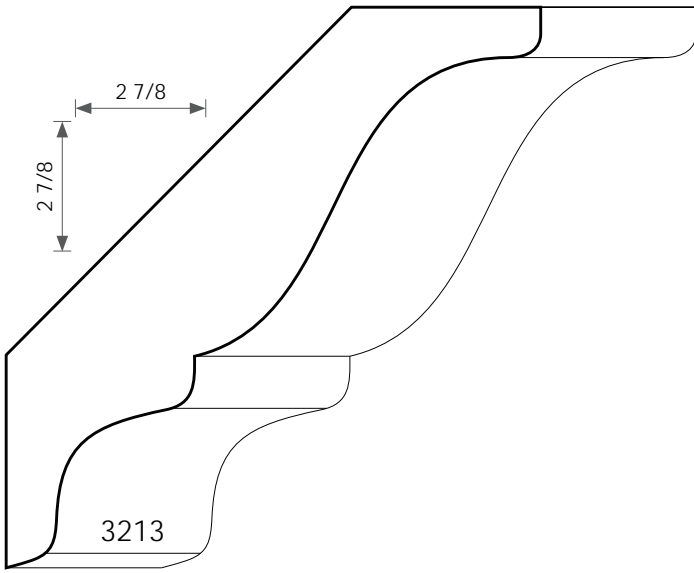
**CROWN**  
OGEE OR CYMA-RECTA WITH COVE



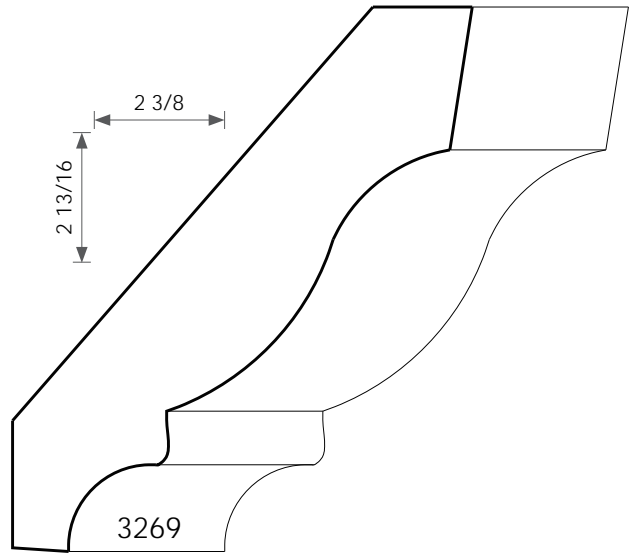
3026  
5/8T X 3-5/8W



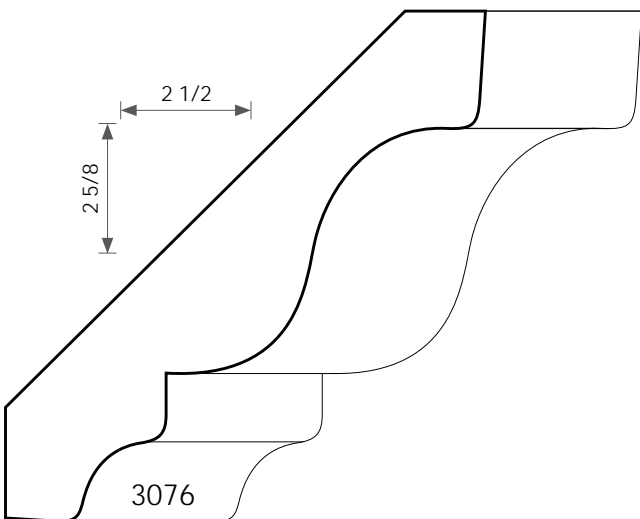
3283  
3/4T X 3-5/8W



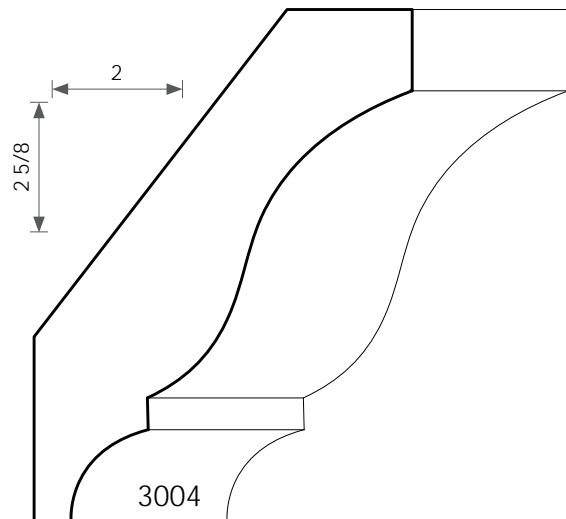
3213  
7/8T X 4W



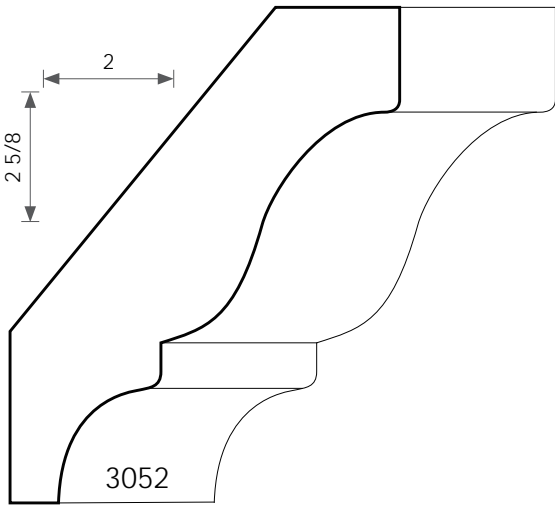
3269  
3/4T X 3-5/8W



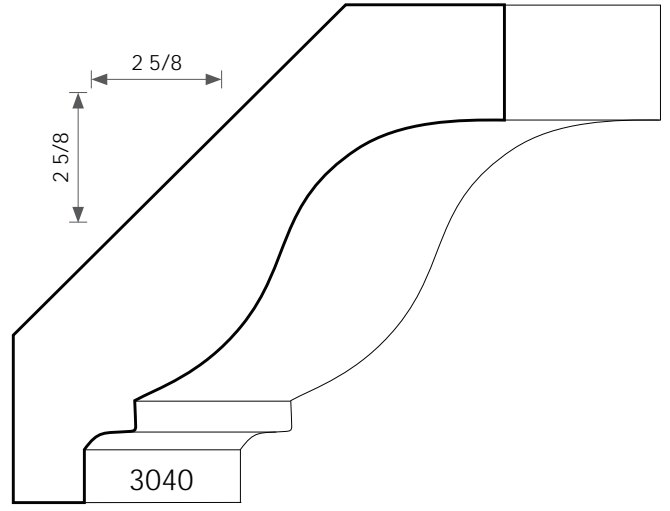
3076  
3/4T X 3-5/8W



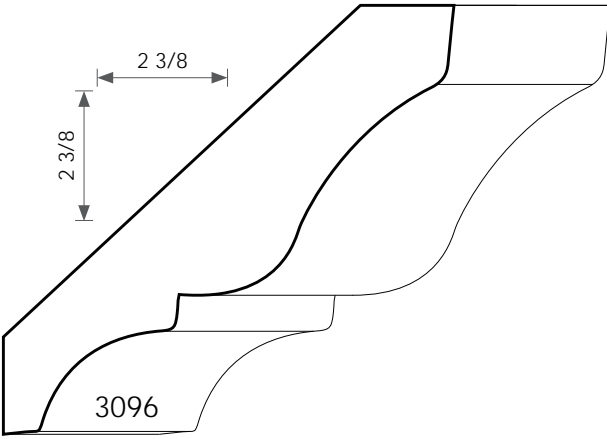
3004  
3/4T X 3-1/4W



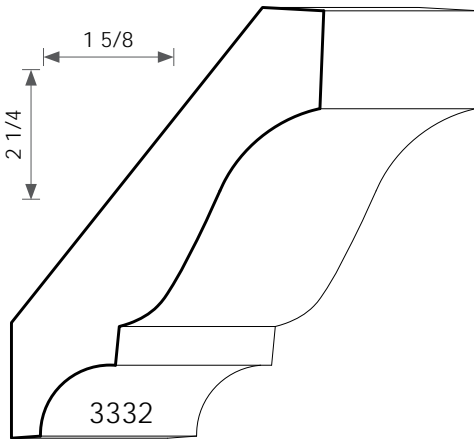
3/4T X 3-1/4W



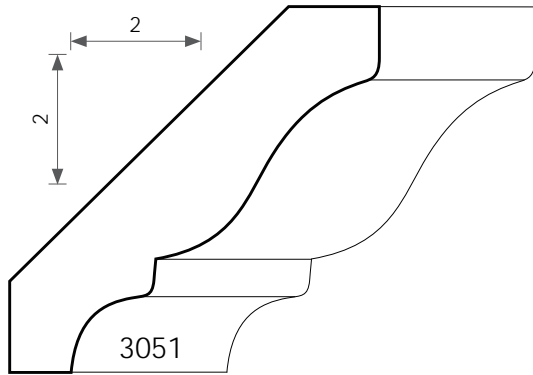
1T X 3-5/8W



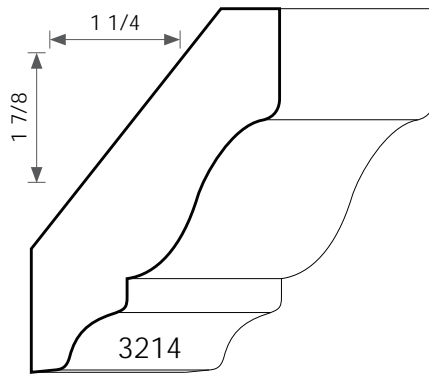
11/16T X 3-1/4W



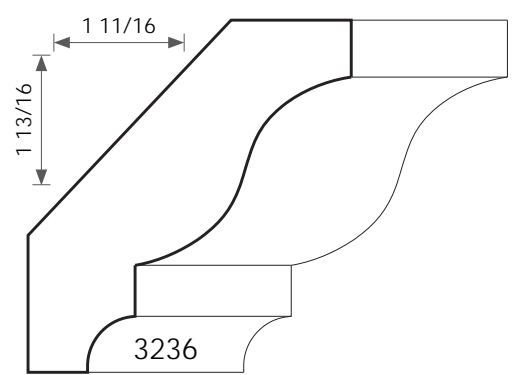
9/16T X 2-3/4W



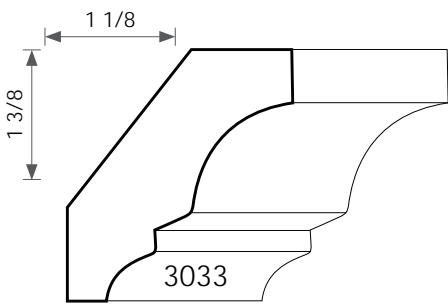
9/16T X 2-5/8W



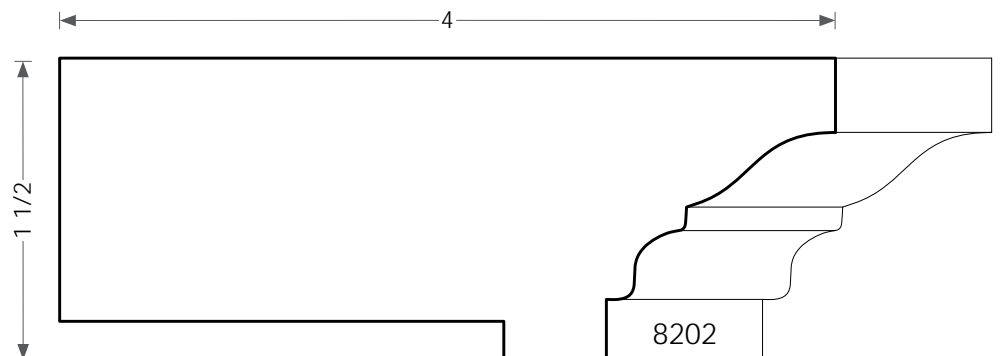
9/16T X 2-1/4W



11/16T X 2-7/16W

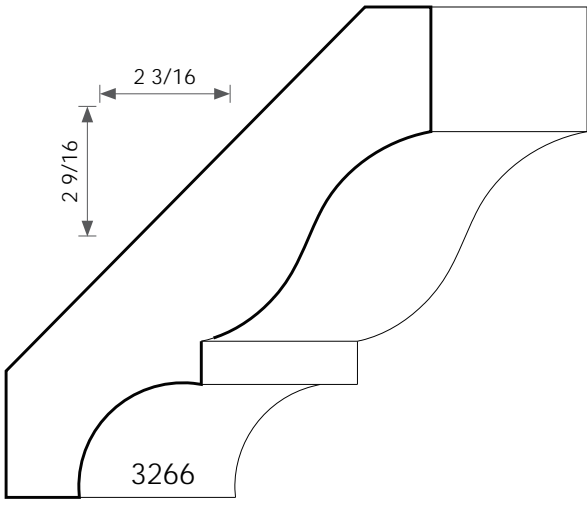


1/2T X 1-3/4W

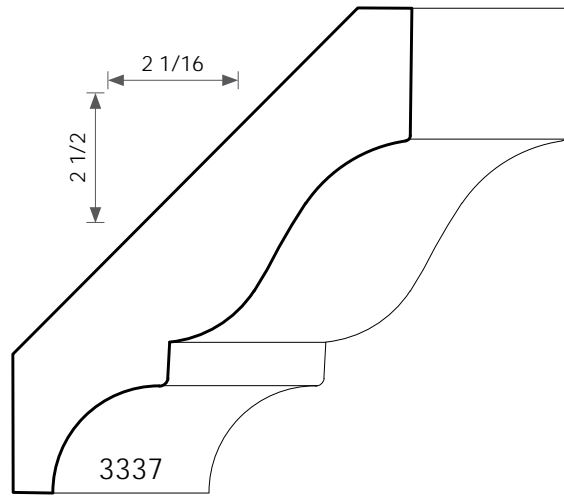


RABBET 3/16 X 2-1/4

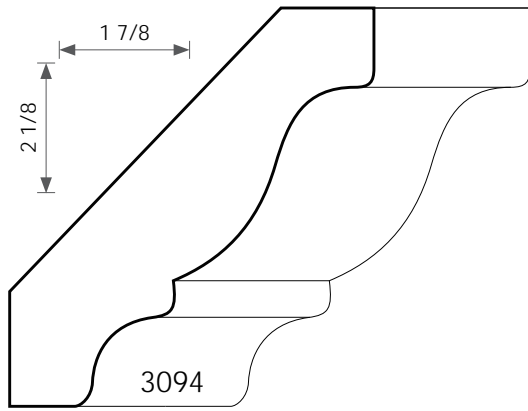
CROWN  
OGEE OR CYMA-RECTIA WITH COVE



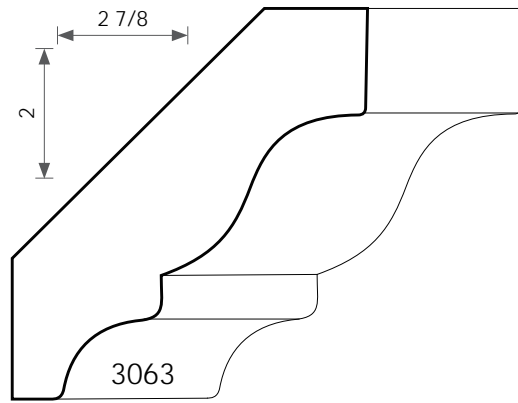
3/4T X 3-1/4W



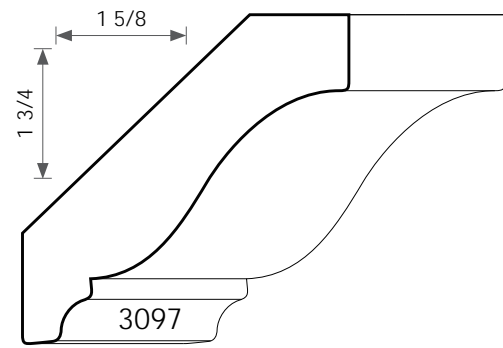
11/16T X 3-1/4W



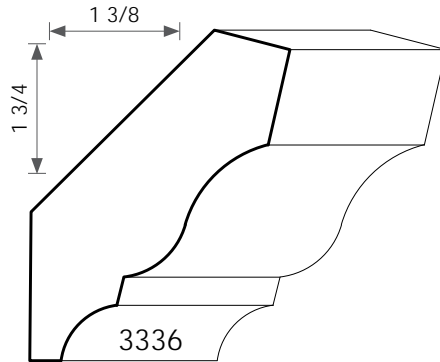
11/16T X 2-3/4W



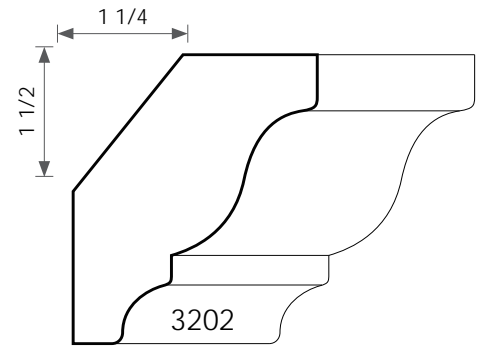
3/4T X 2-3/4W



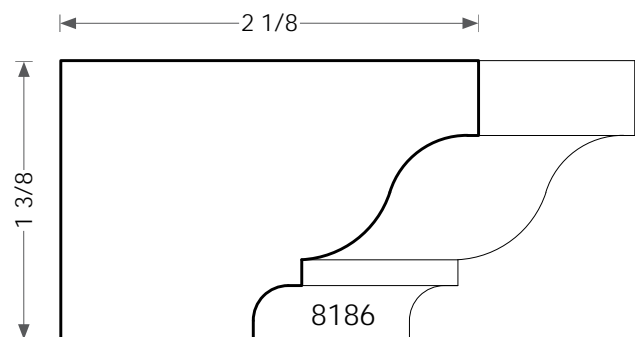
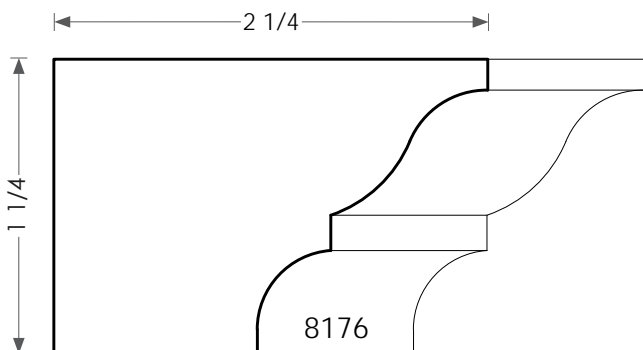
5/8T X 2-3/8W

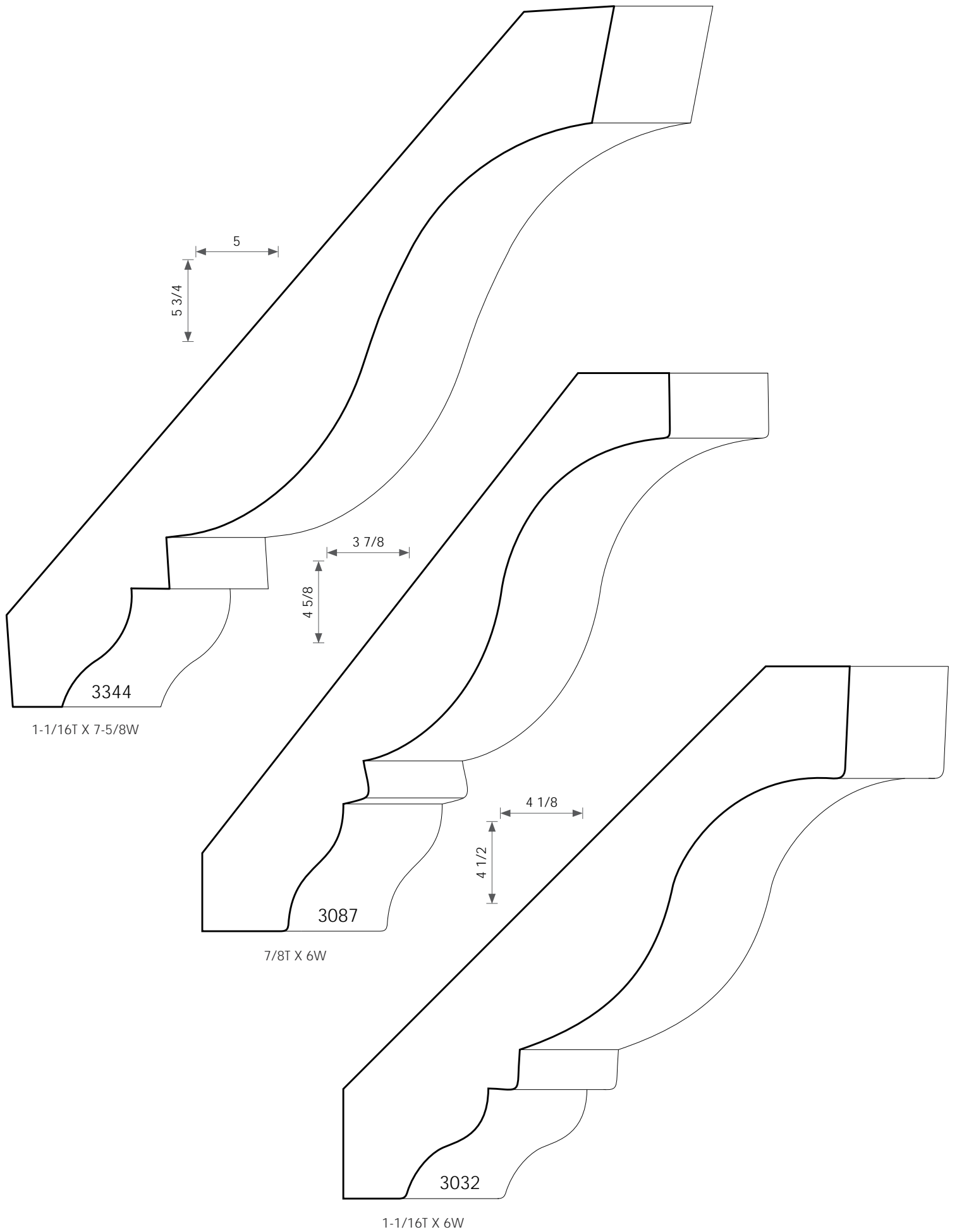


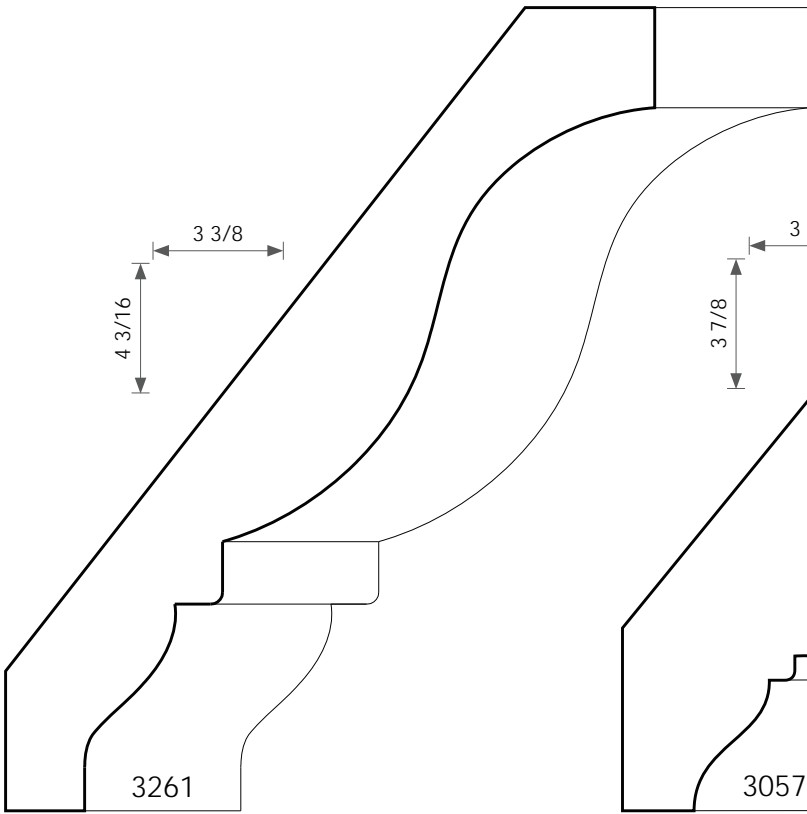
11/16T X 2-1/8W



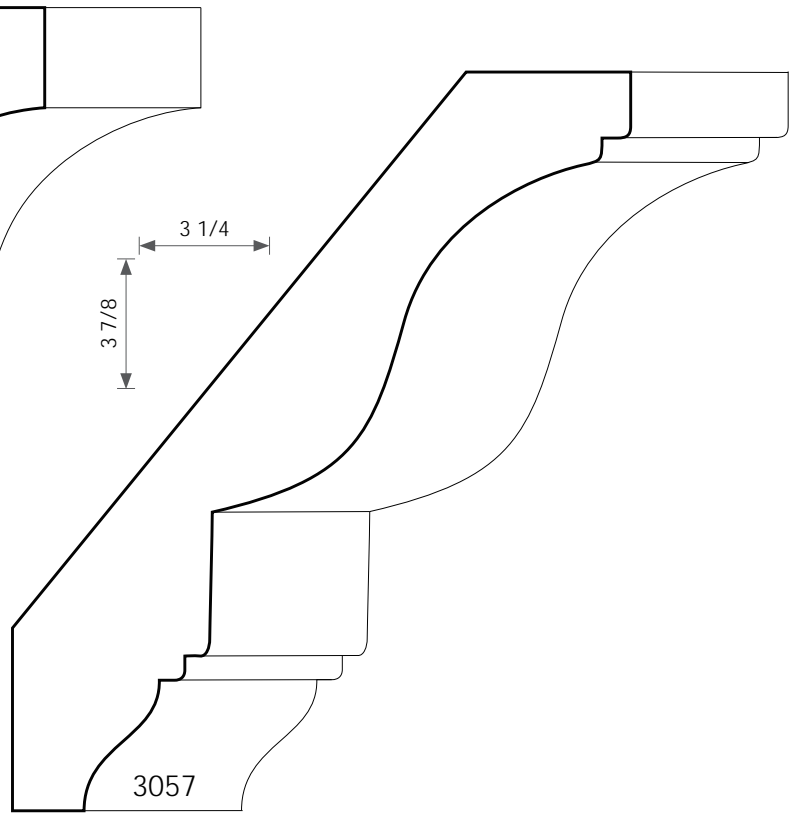
3/4T X 2W



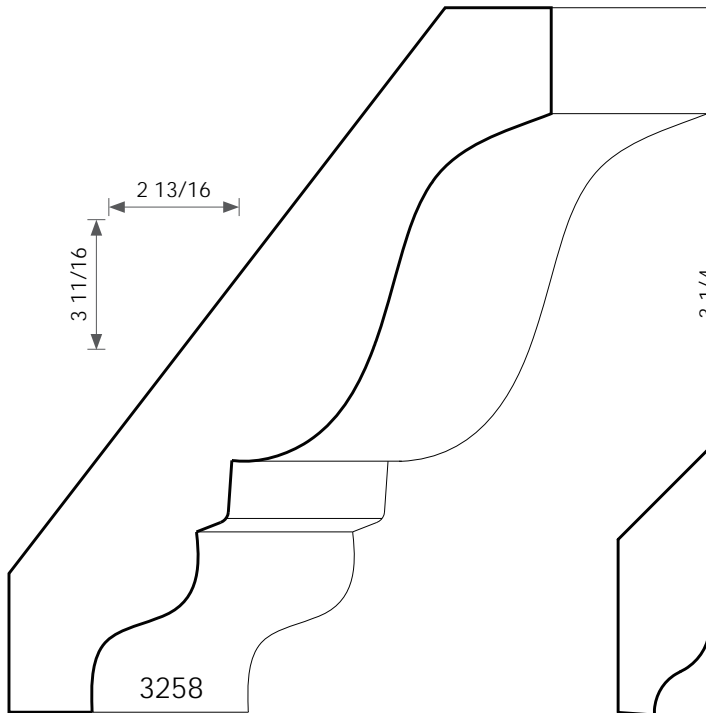




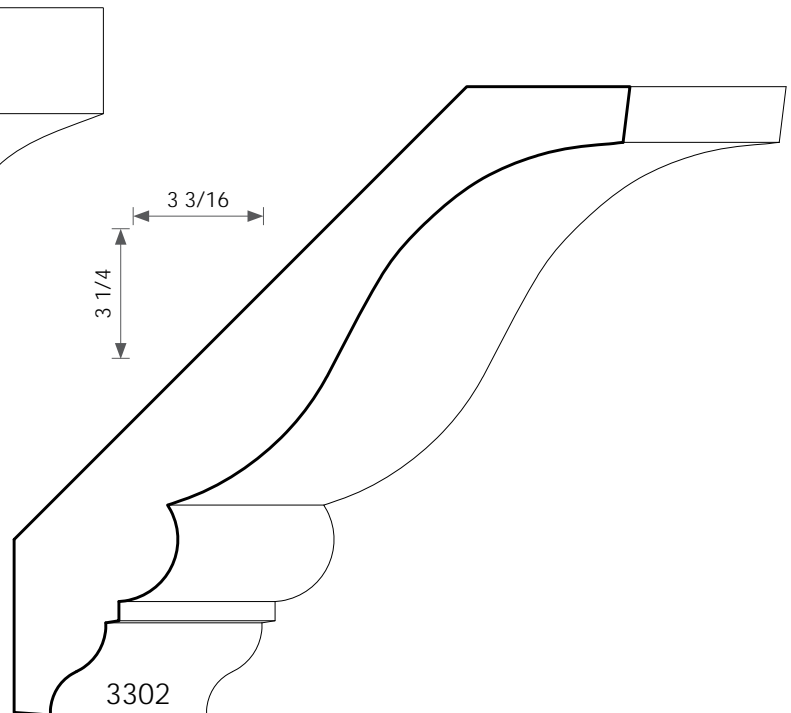
13/16T X 5-1/4W



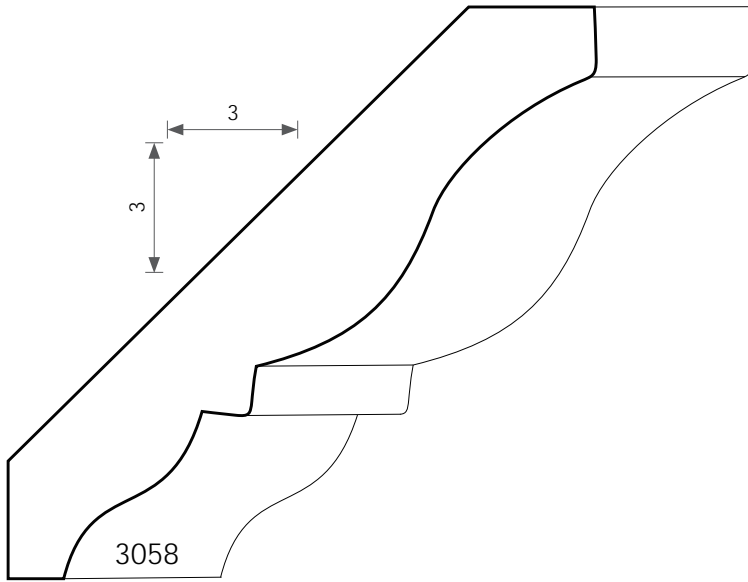
13/16T X 4-7/8W



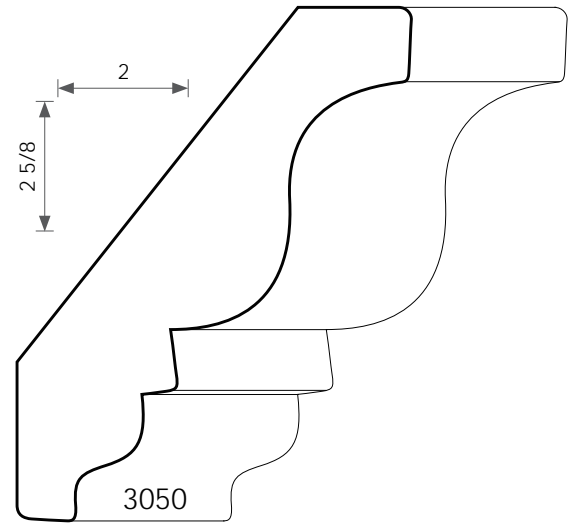
13/16T X 4-1/2W



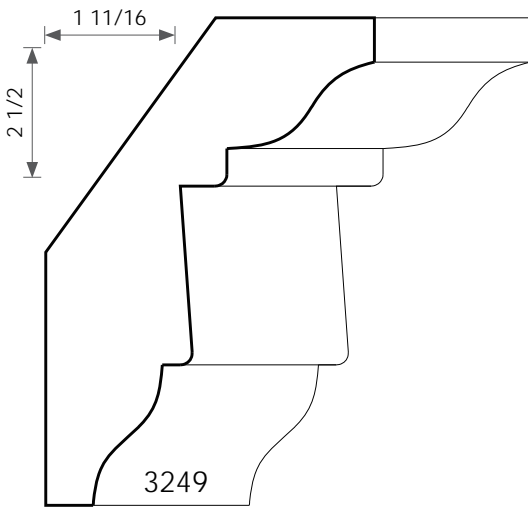
3/4T X 4-1/2W



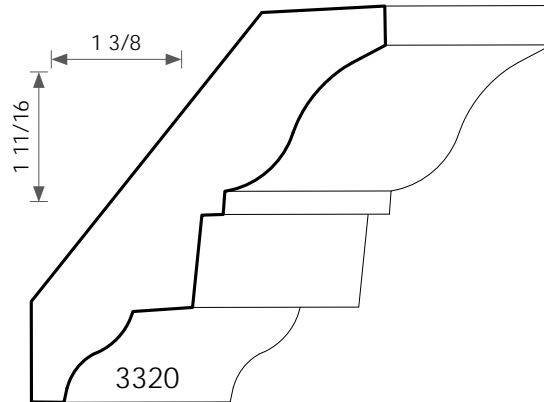
3/4T X 4-1/4W



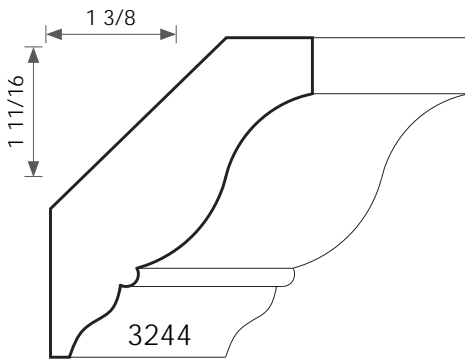
3/4T X 3-1/4W



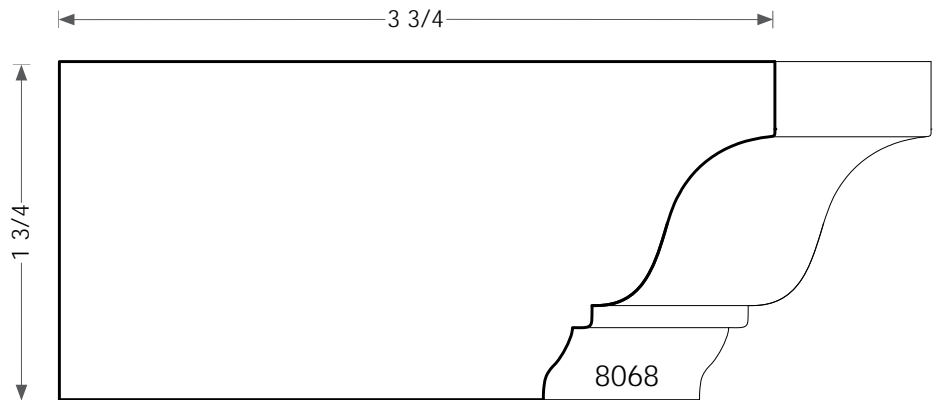
15/16T X 3W



5/8T X 2-9/16W

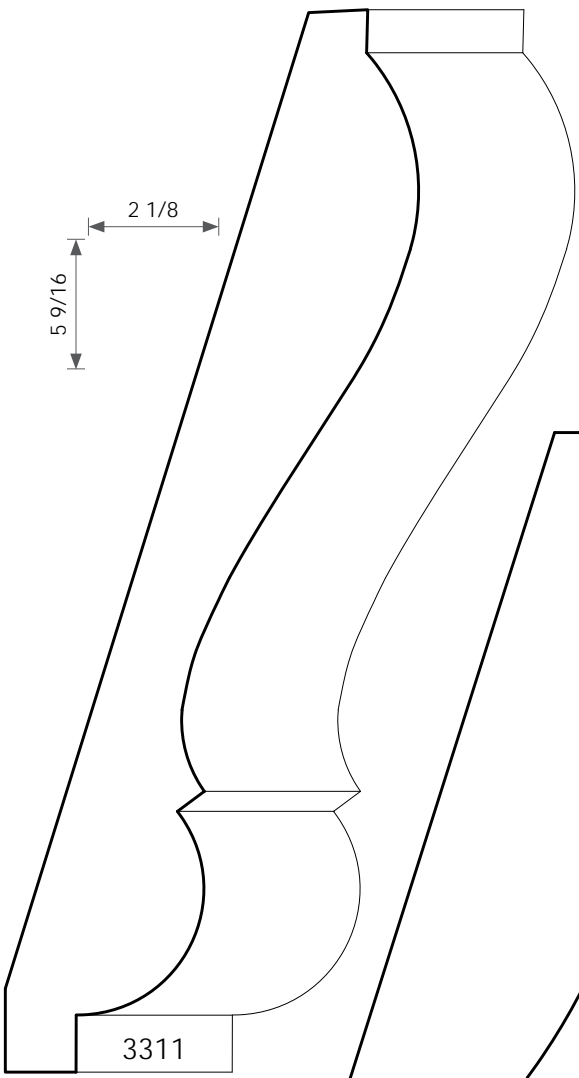


5/8T X 2-1/8W



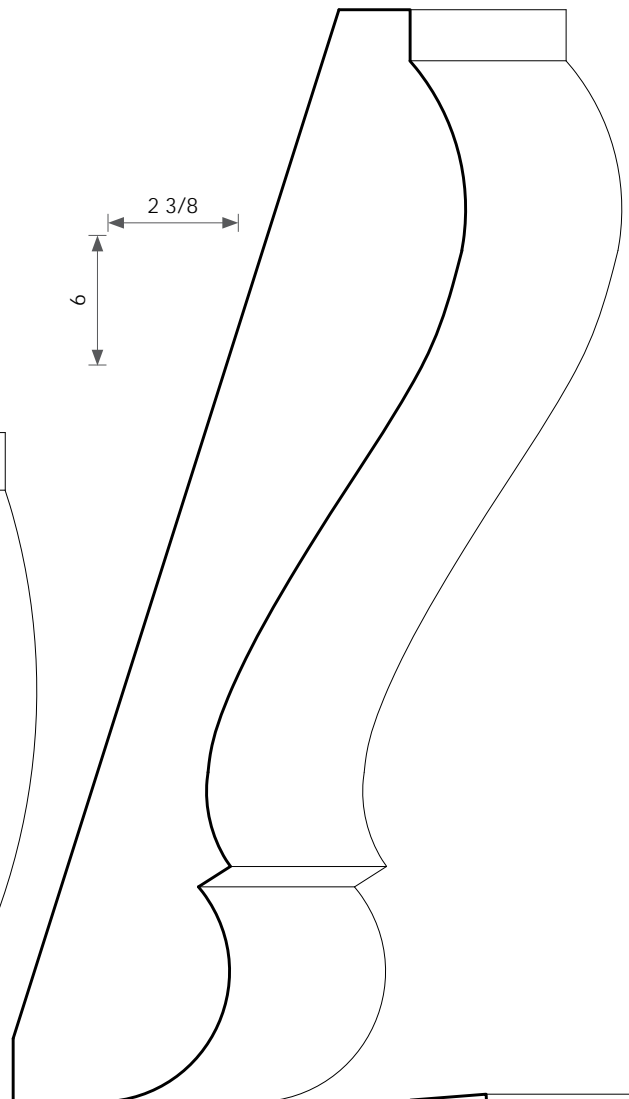
# CROWN

OGEE OR CYMA REVERSA WITH QUARTER ROUND



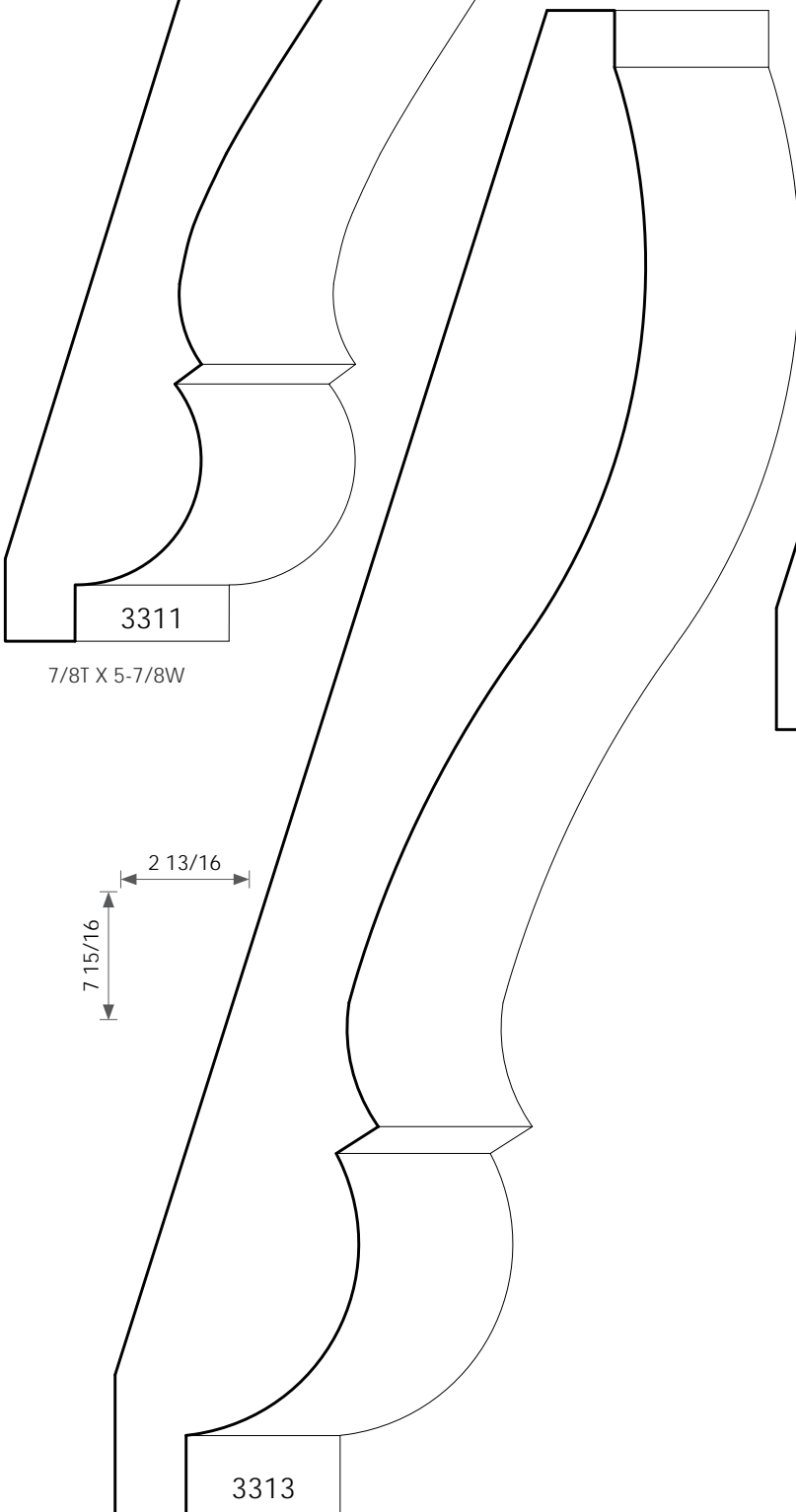
3311

$\frac{7}{8}T \times 5 - \frac{7}{8}W$



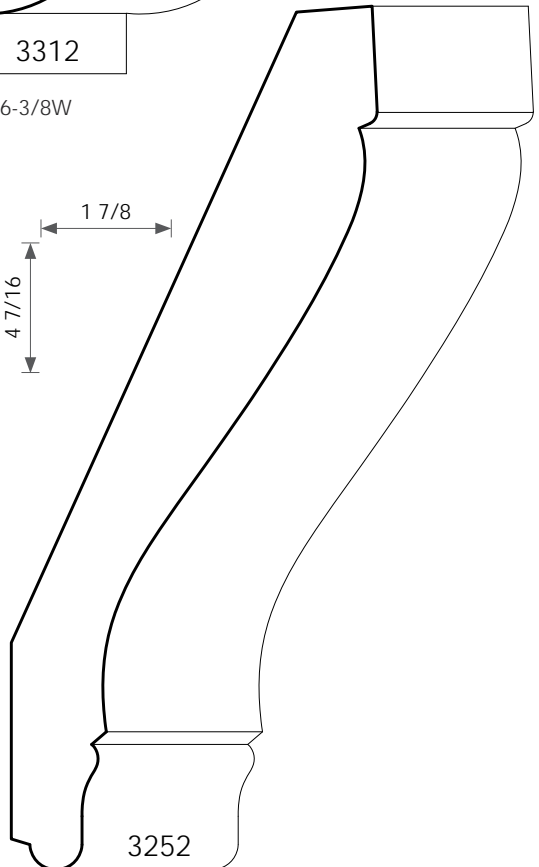
3312

$1T \times 6 - \frac{3}{8}W$



3313

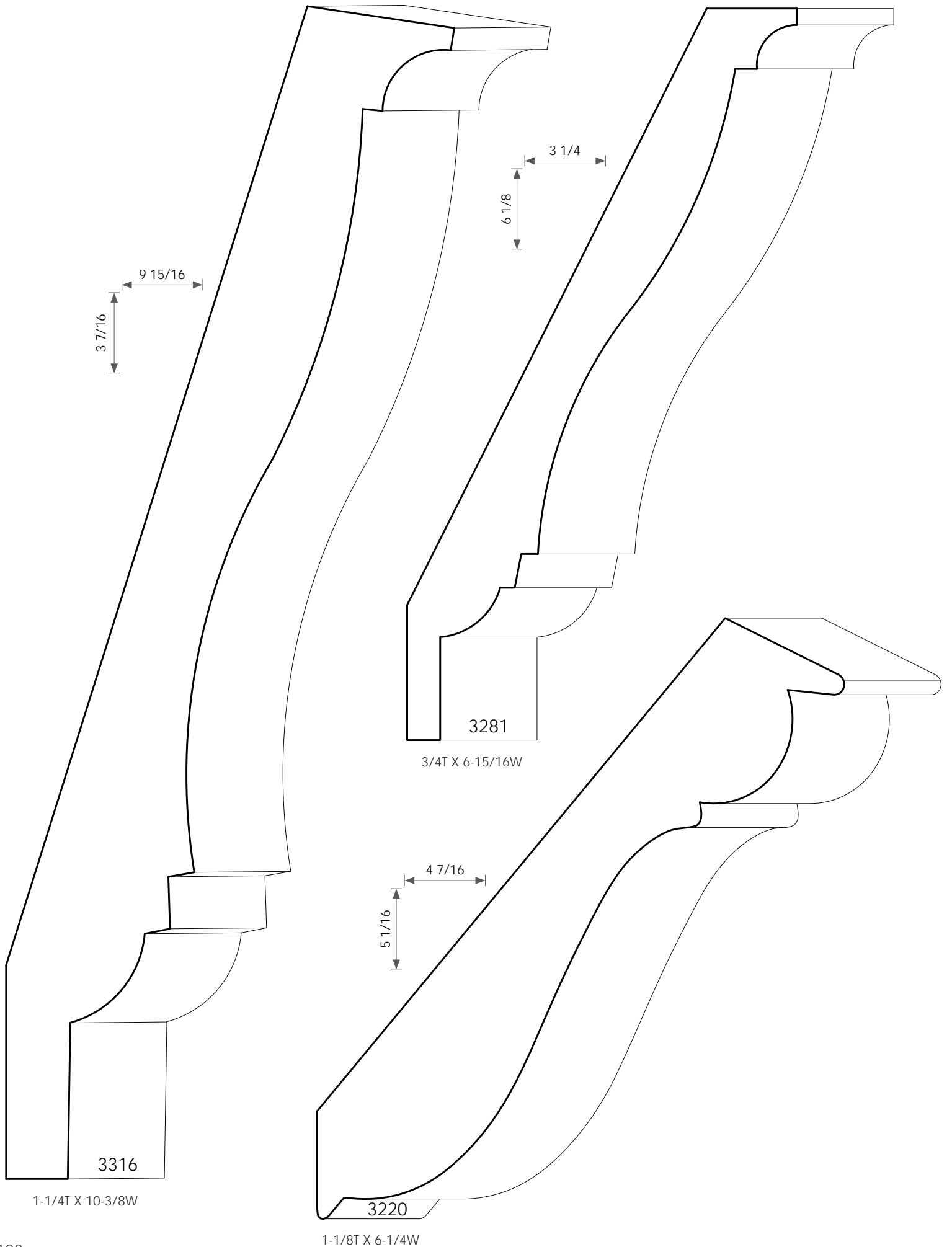
$1 - \frac{1}{16}T \times 8 - \frac{3}{8}W$



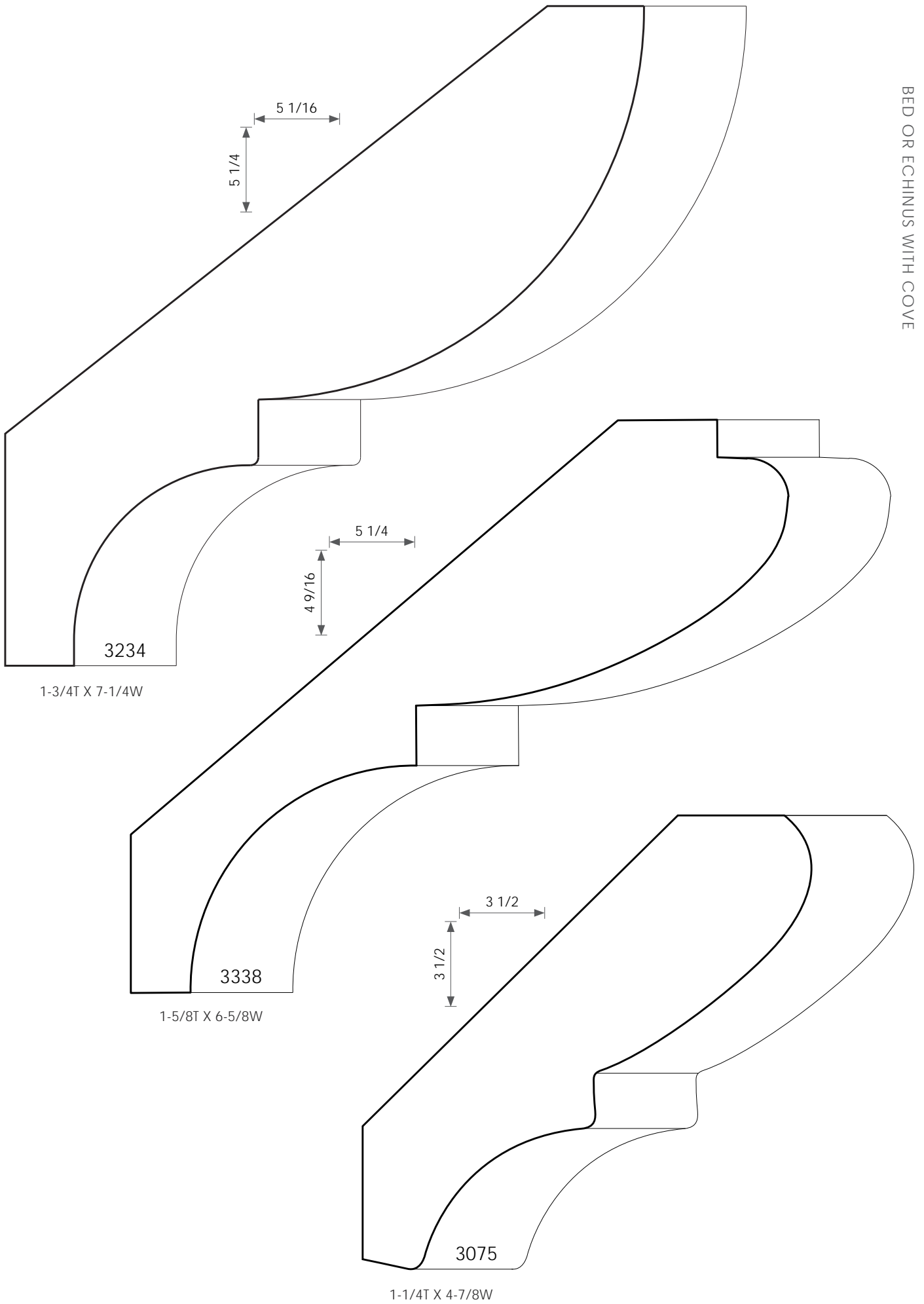
3252

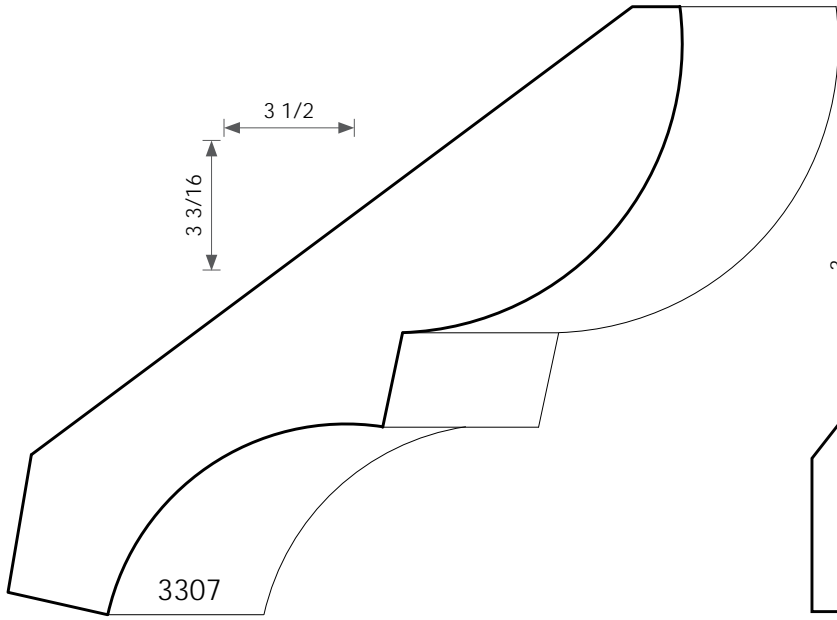
$11/16T \times 4 - 11/16W$



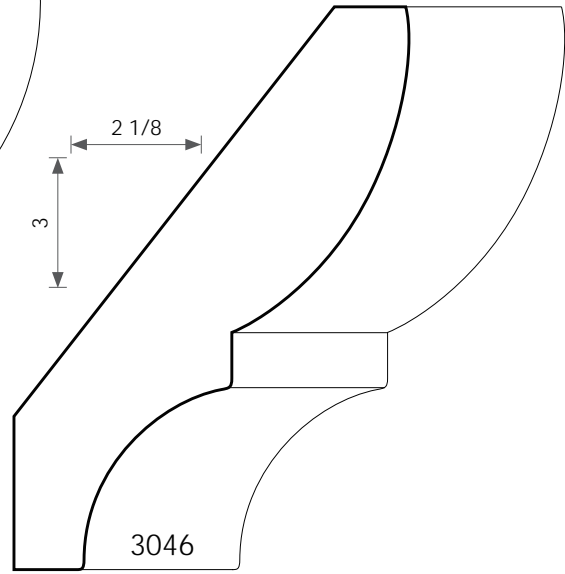


CROWN  
BED OR ECHINUS WITH COVE

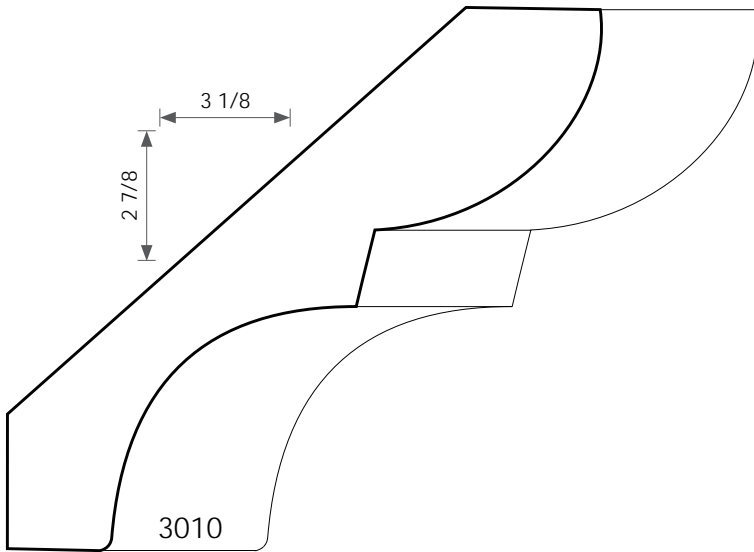




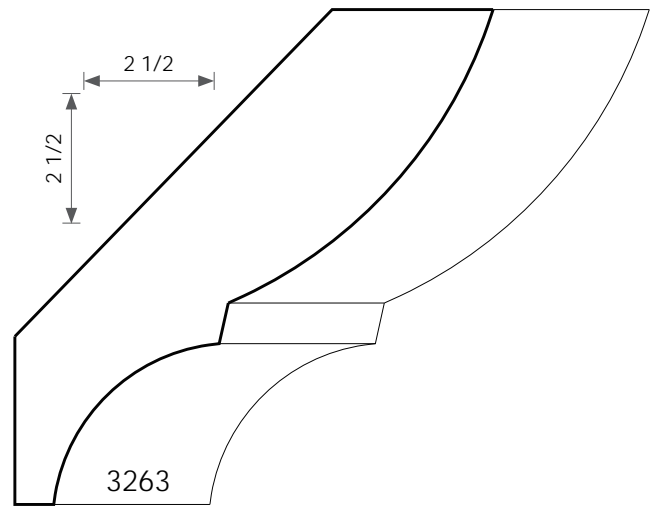
1T X 4-5/8W



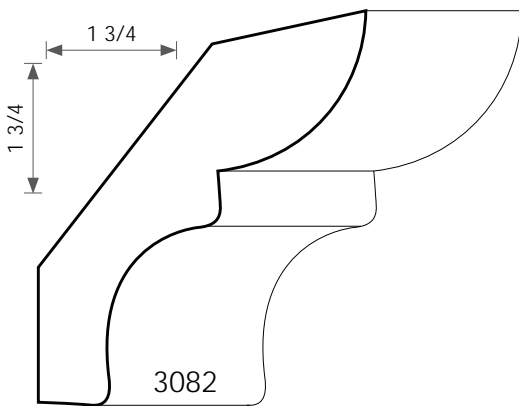
3/4T X 3-1/2W



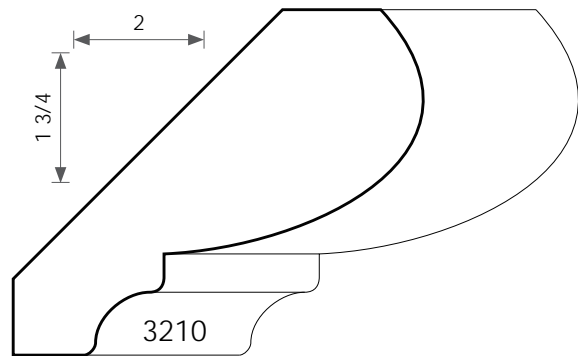
13/16T X 4-1/8W



7/8T X 3-1/2W

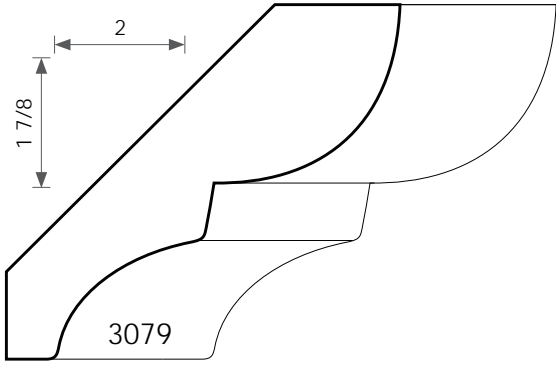


3/4T X 2-5/8W

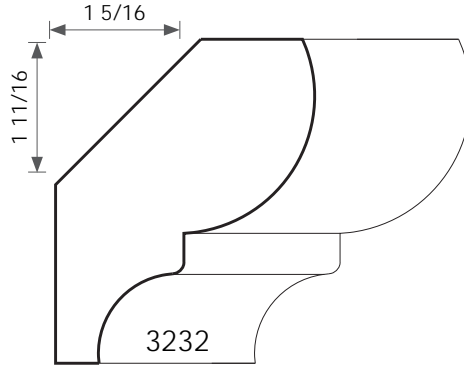


1T X 2-5/8W

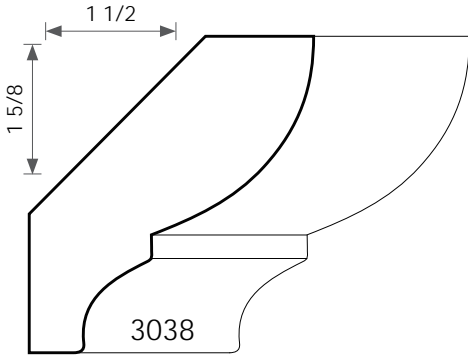
**CROWN**  
BED OR ECHINUS WITH COVE



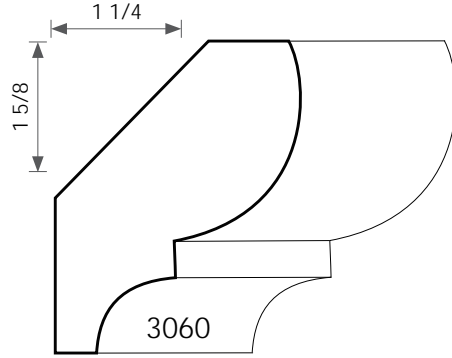
3/4T X 2-3/4W



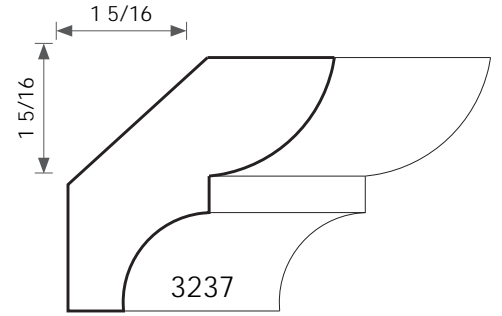
7/8T X 2-1/16W



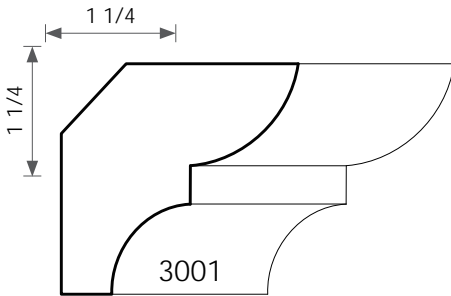
3/4T X 2-1/8W



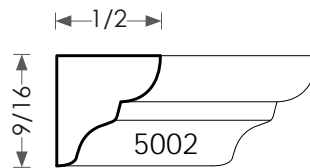
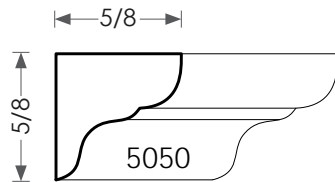
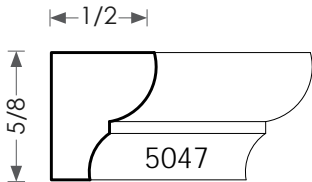
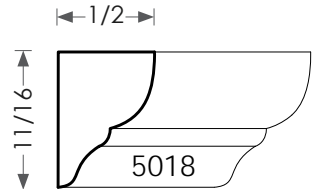
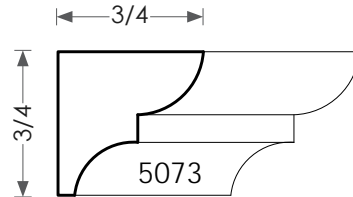
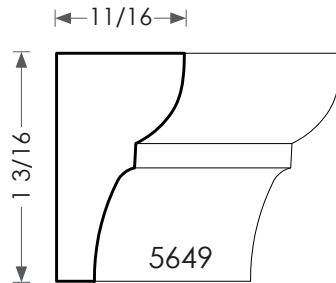
3/4T X 2W

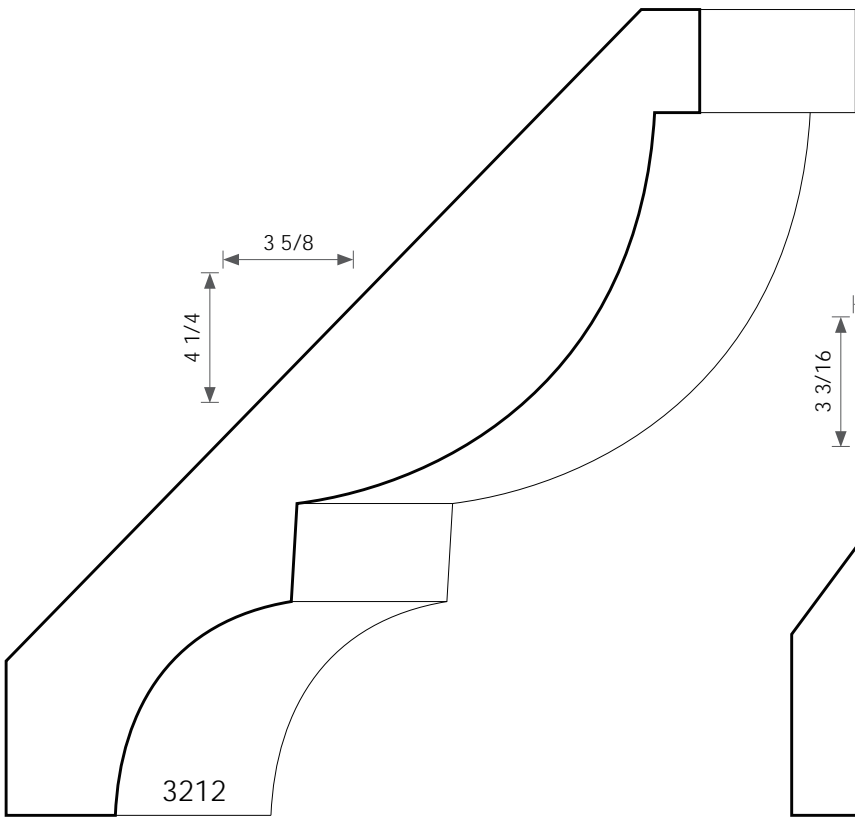


5/8T X 1-13/16W

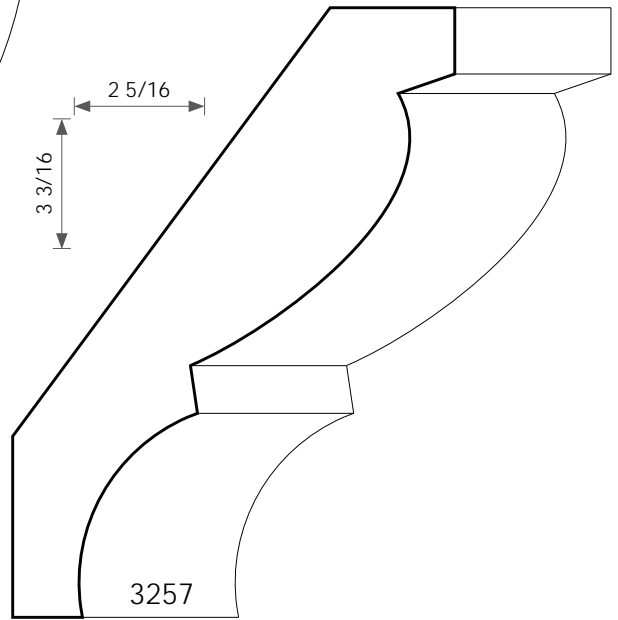


3/4T X 1-3/4W

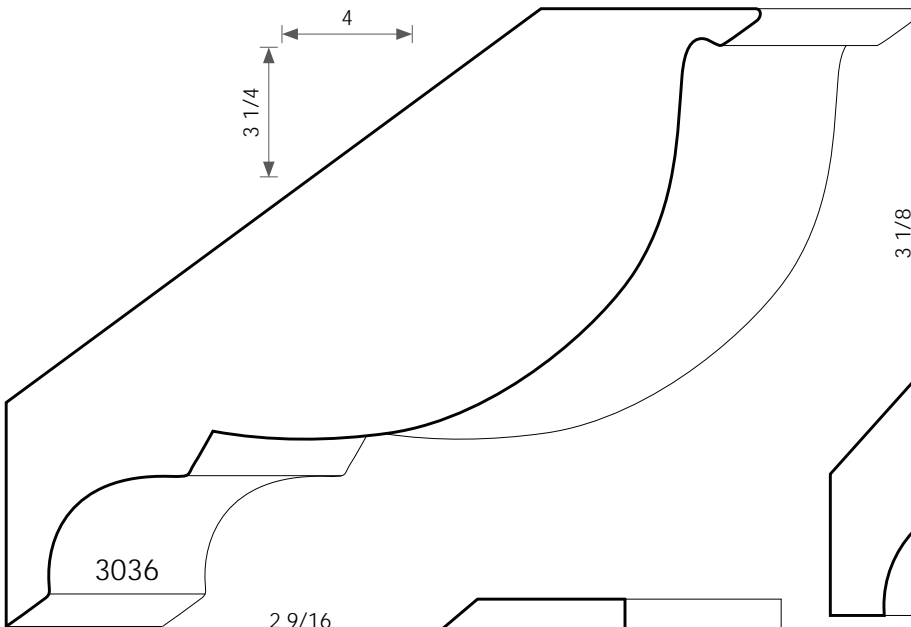




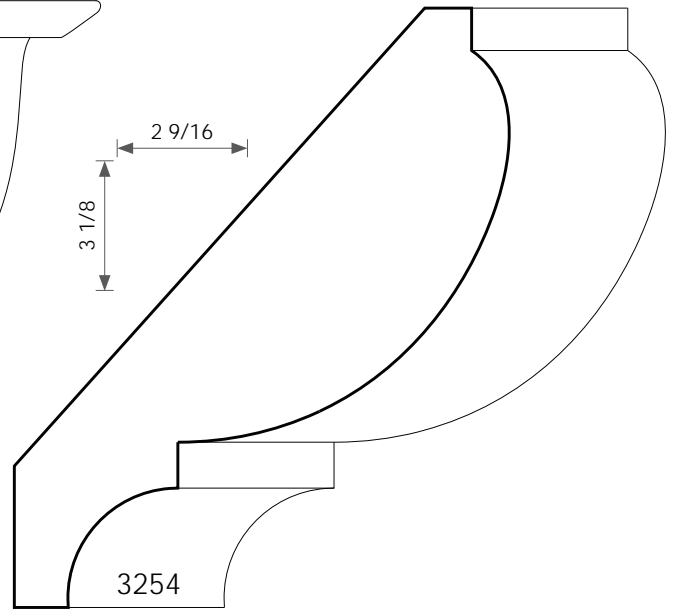
1T X 5-1/2W



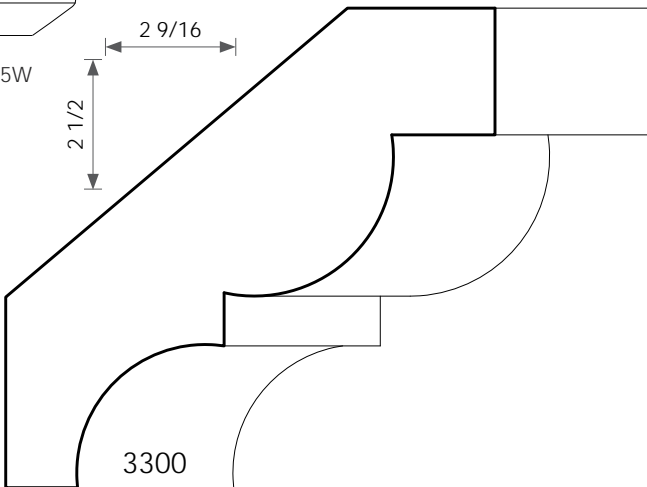
13/16T X 3-3/4W



1-1/2T X 5W

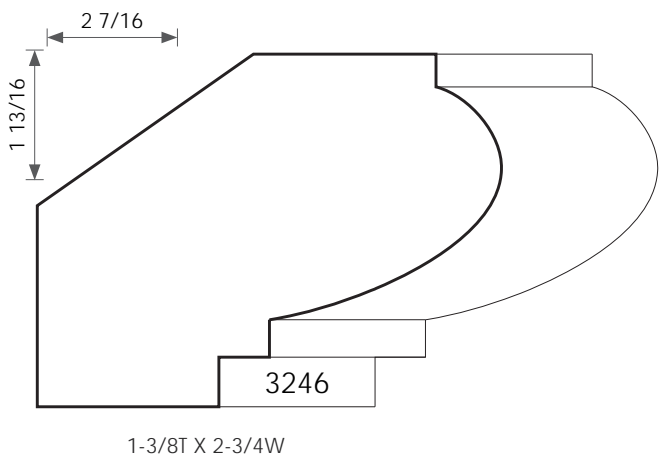
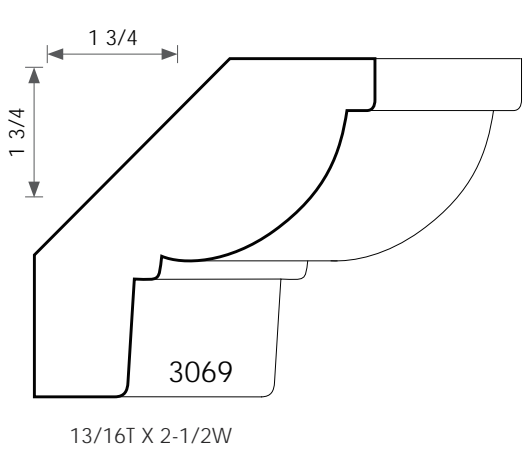
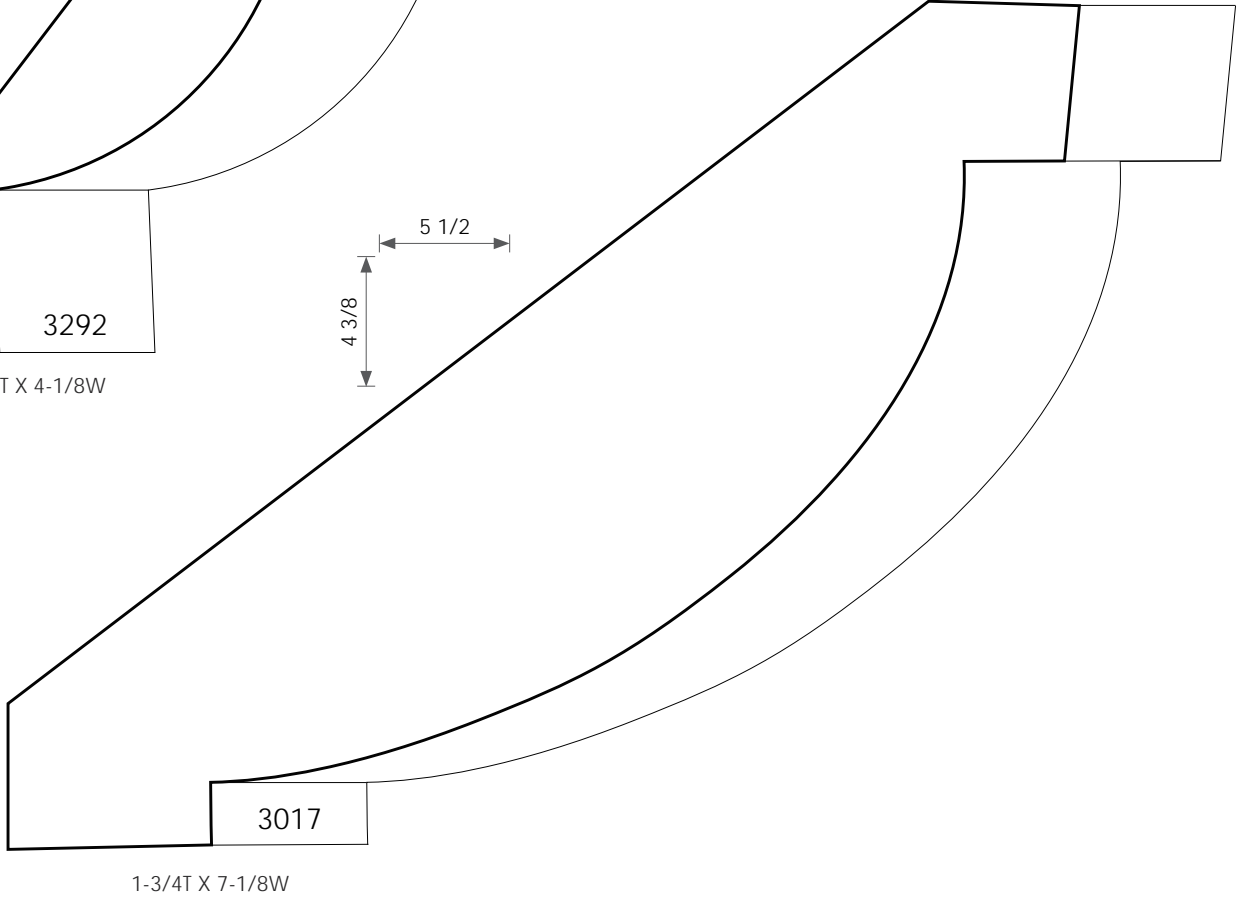
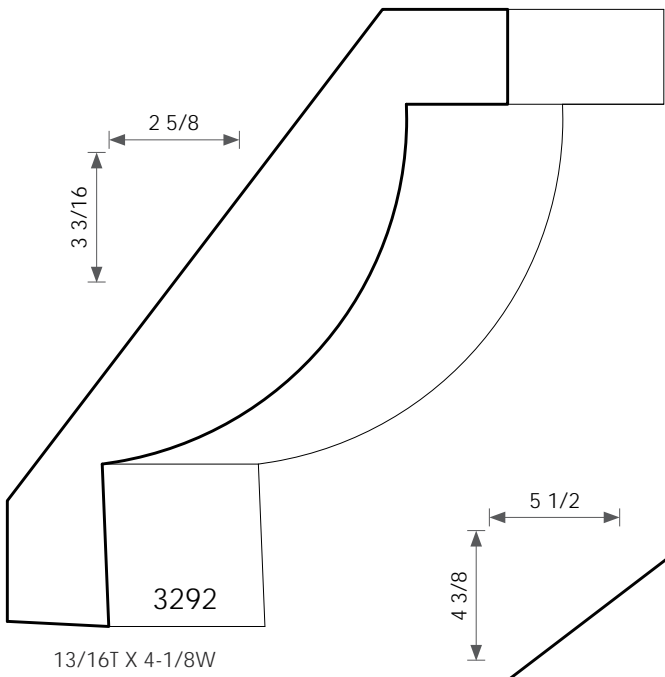


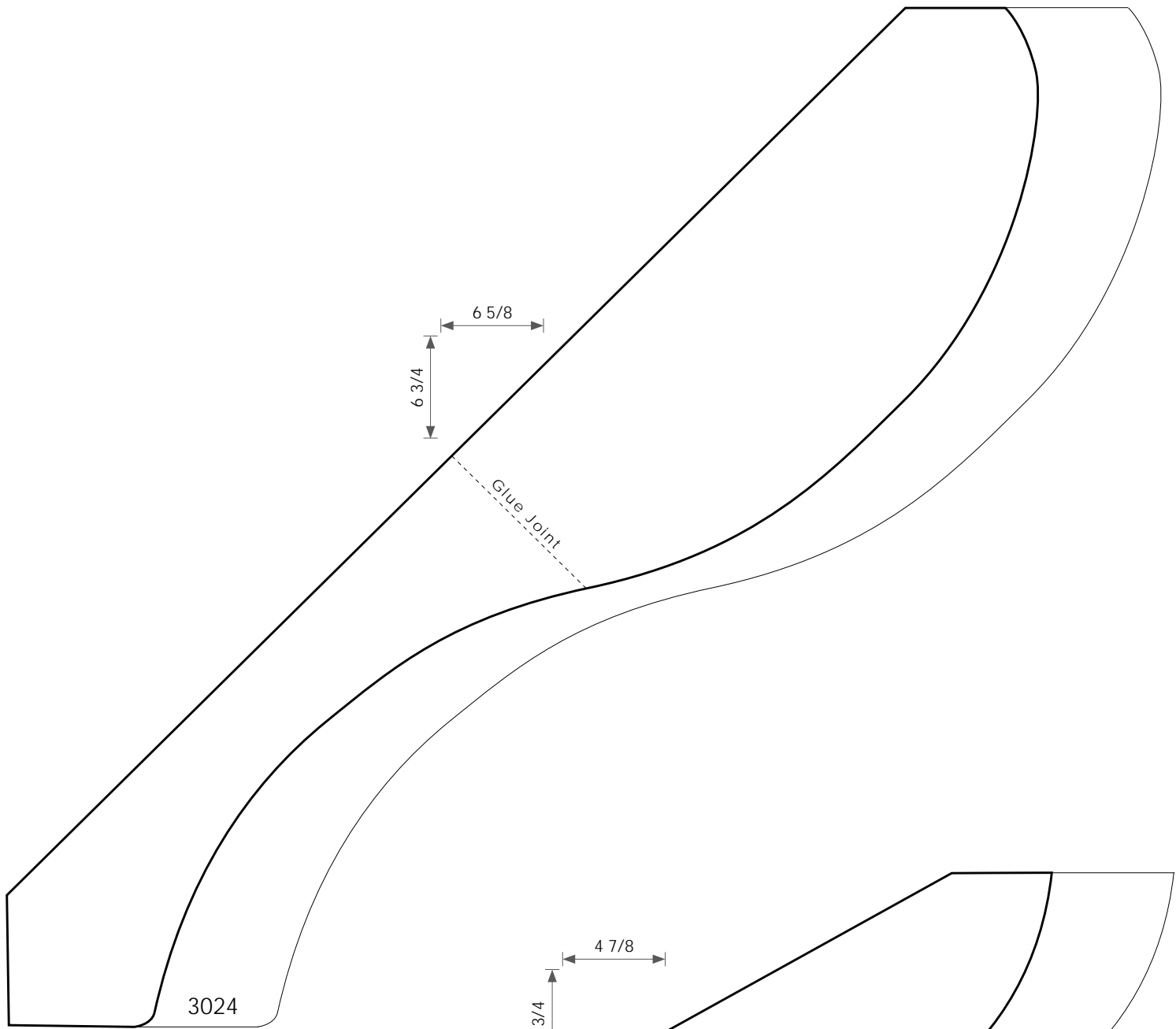
1-1/8T X 3-7/8W



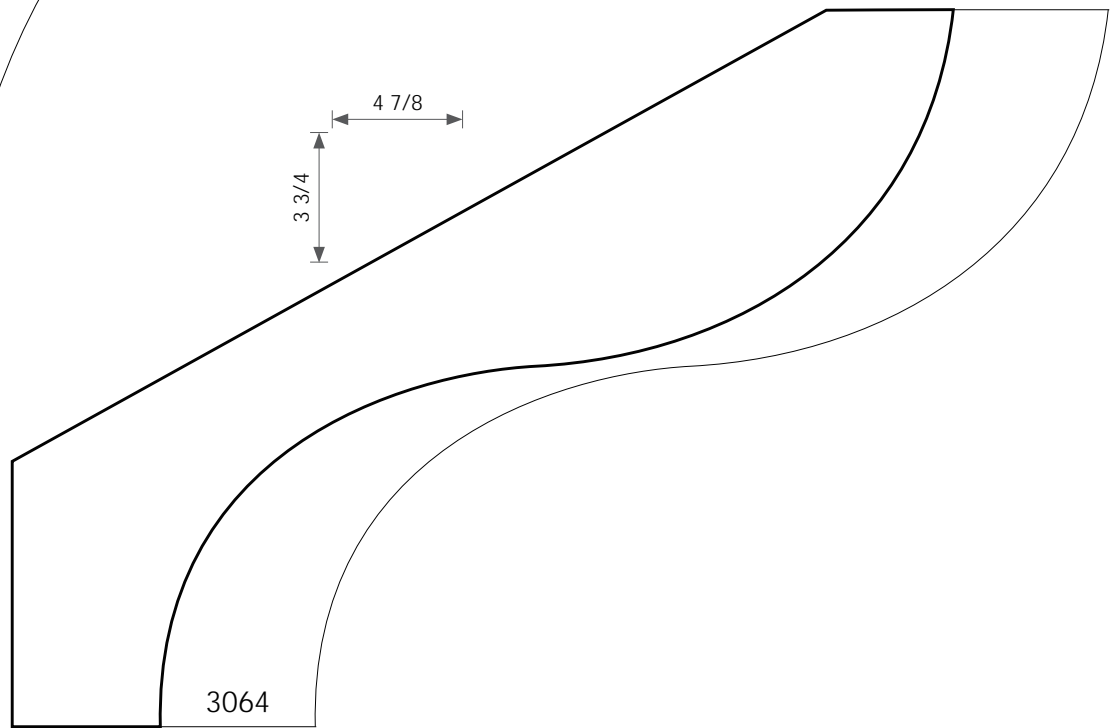
1T X 3-7/16W

CROWN  
CYMA REVERSA

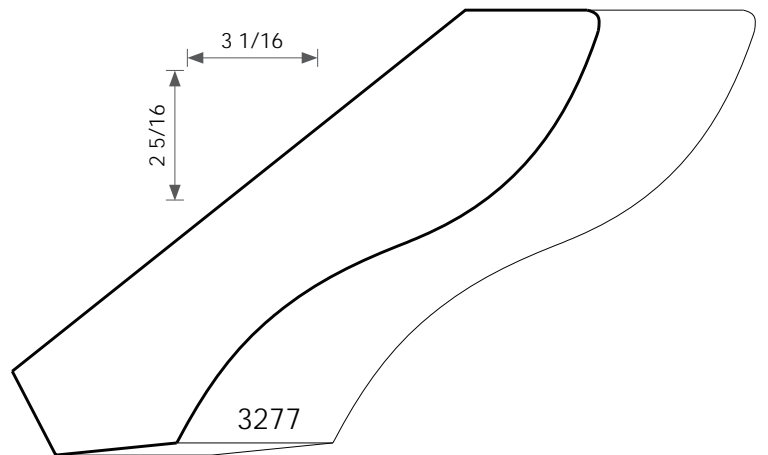
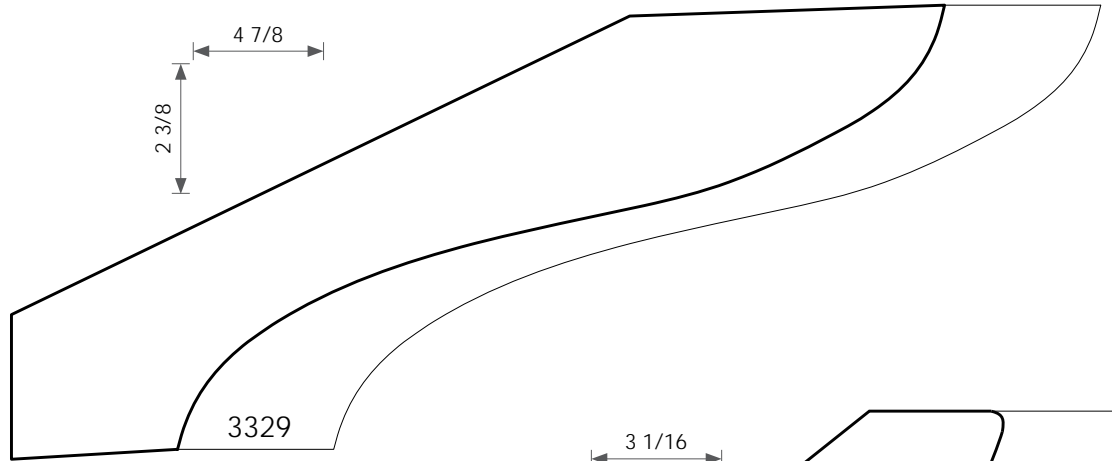
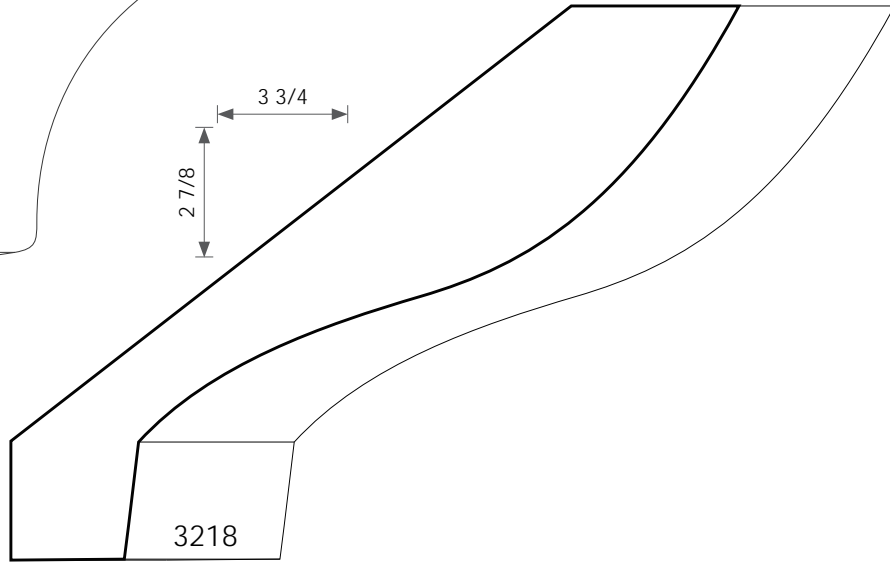
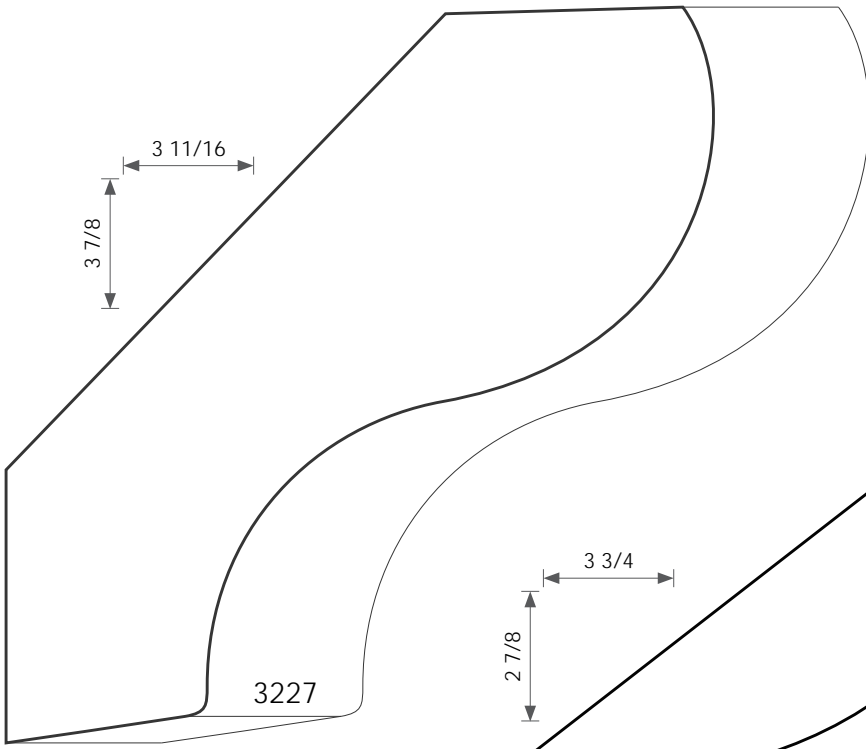




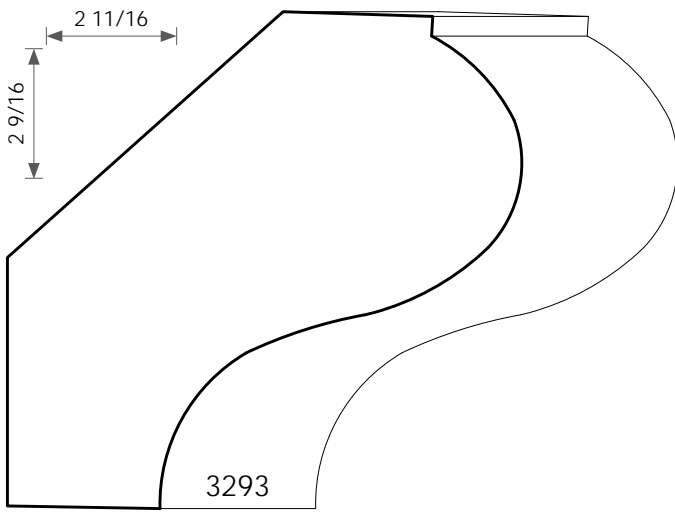
1-7/8T X 9-5/8W



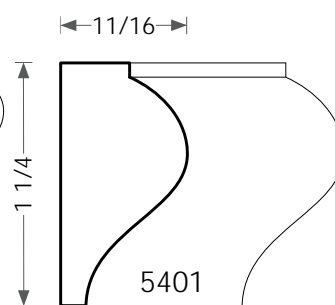
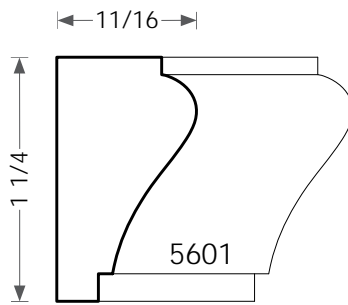
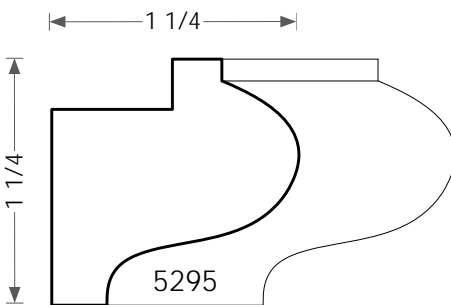
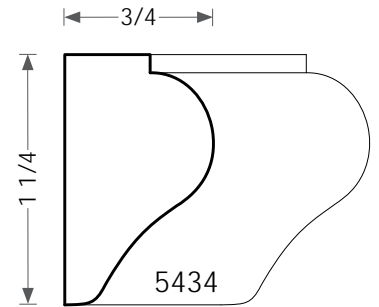
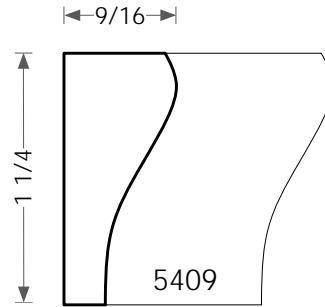
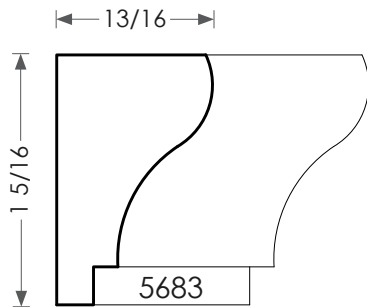
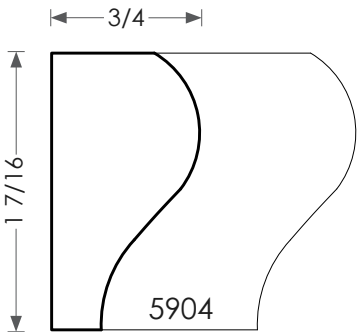
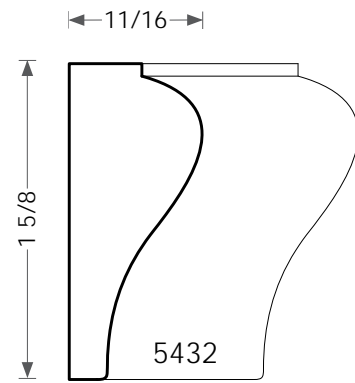
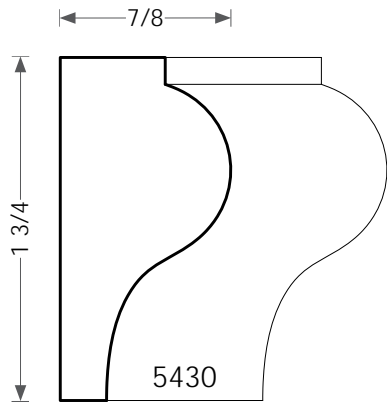
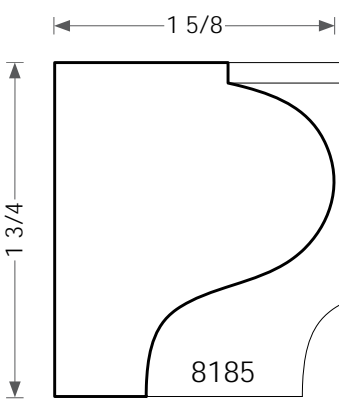
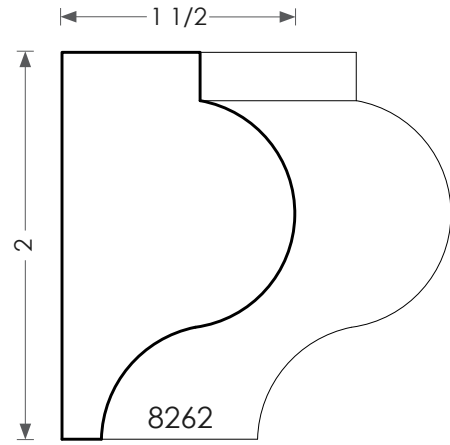
1-5/8T X 6-1/8W



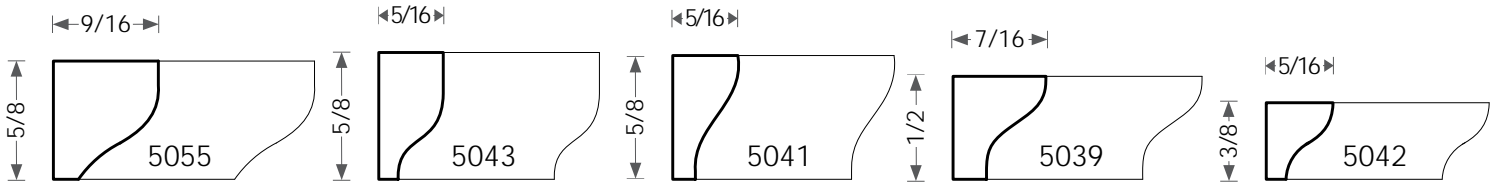
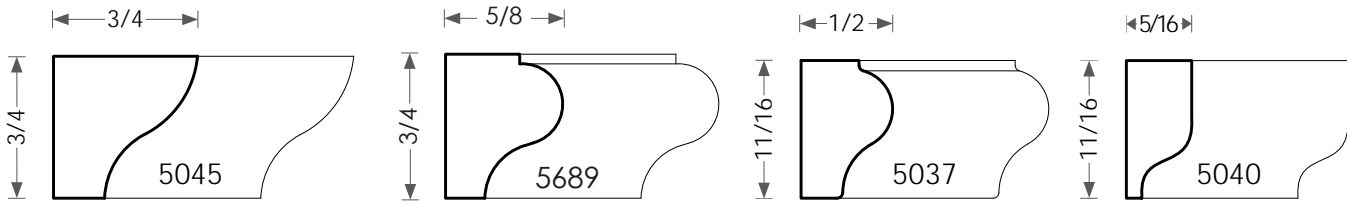
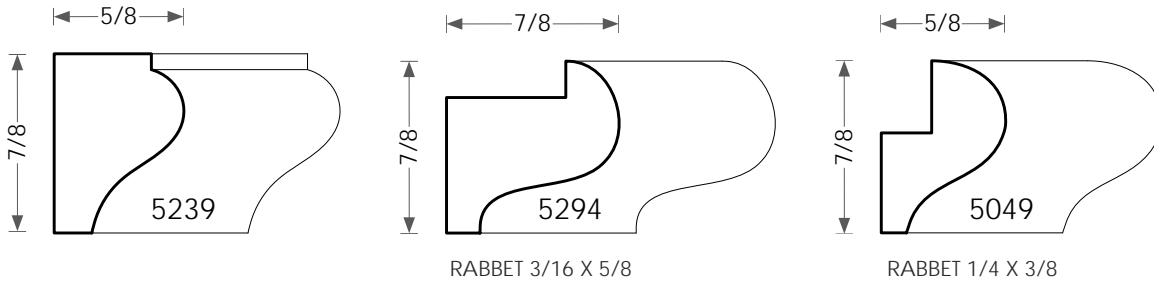
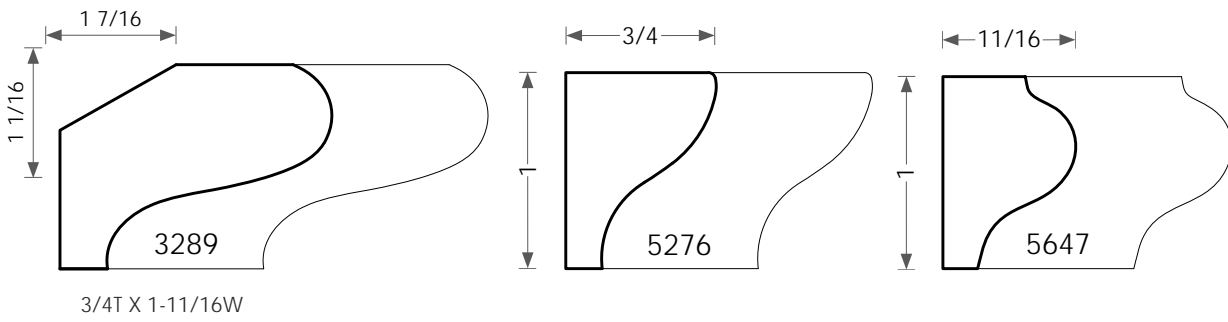


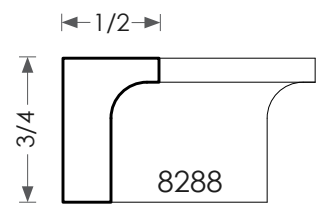
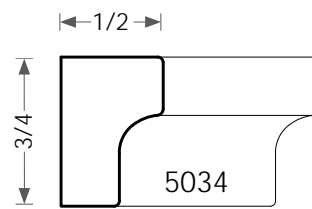
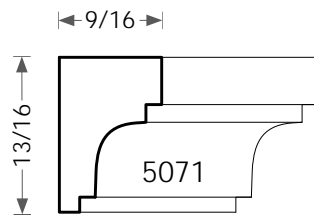
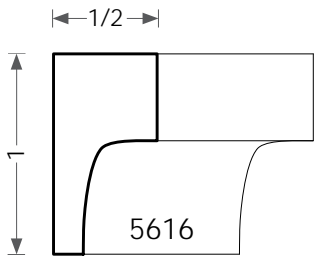
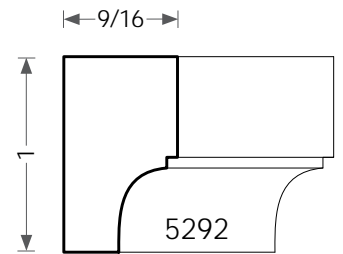
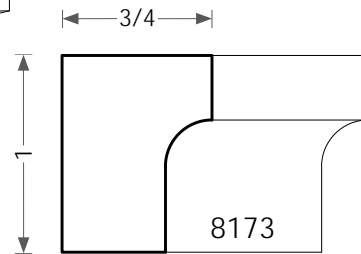
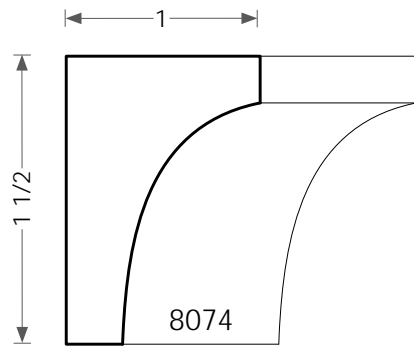
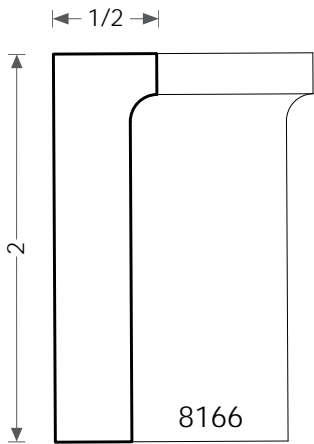
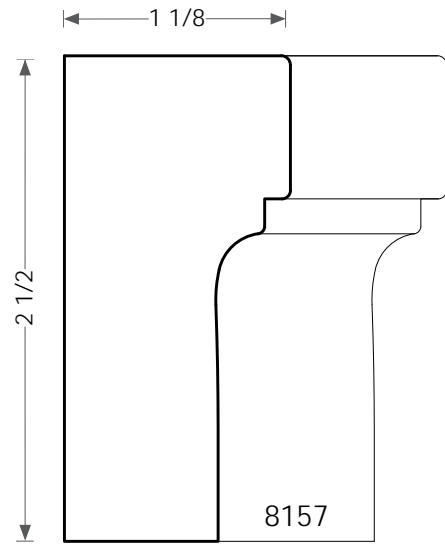
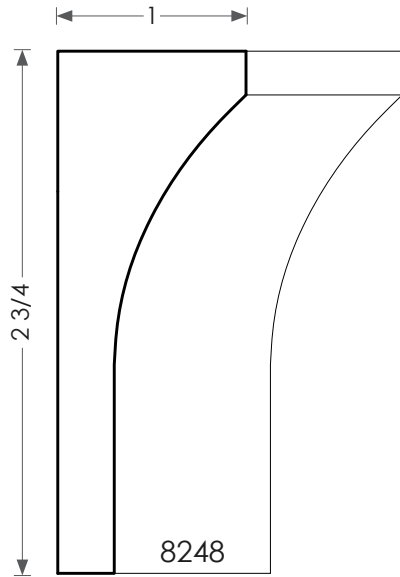
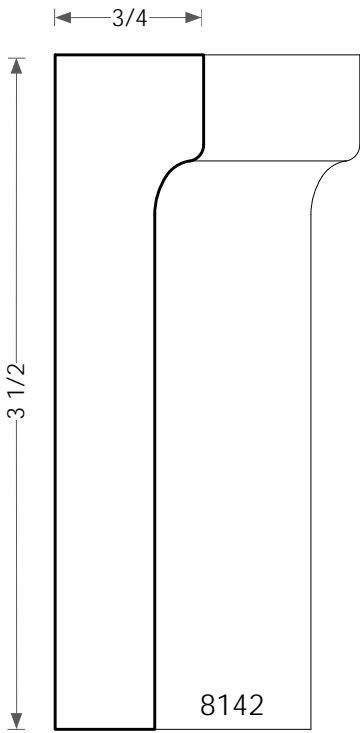


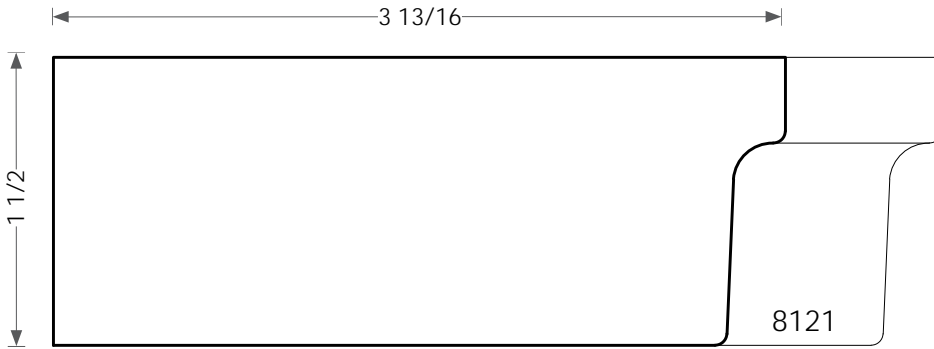
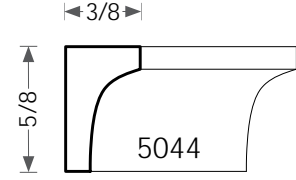
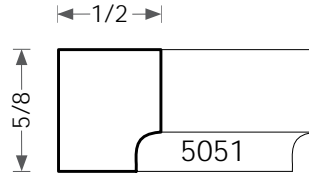
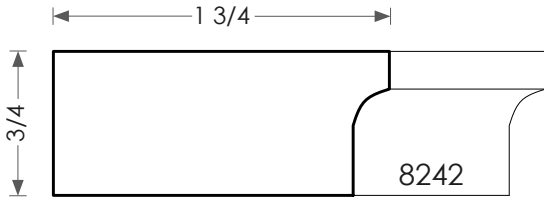
1-5/8T X 3-3/8W



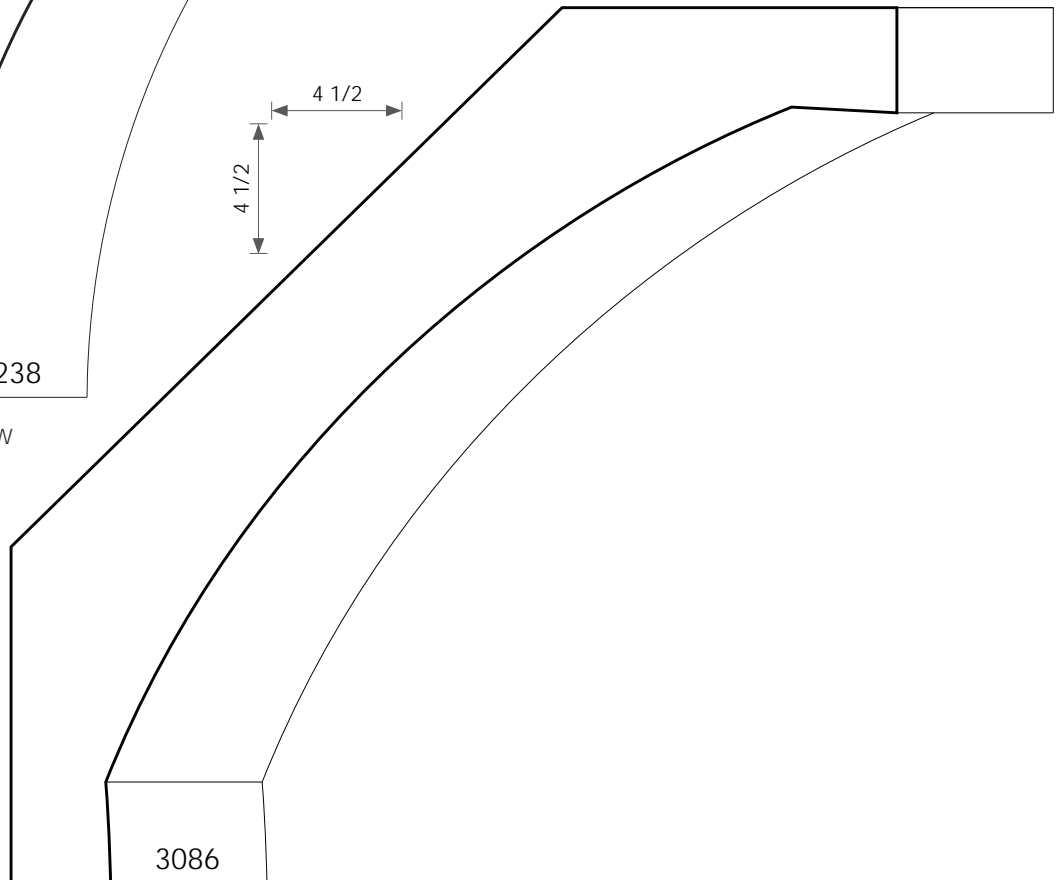
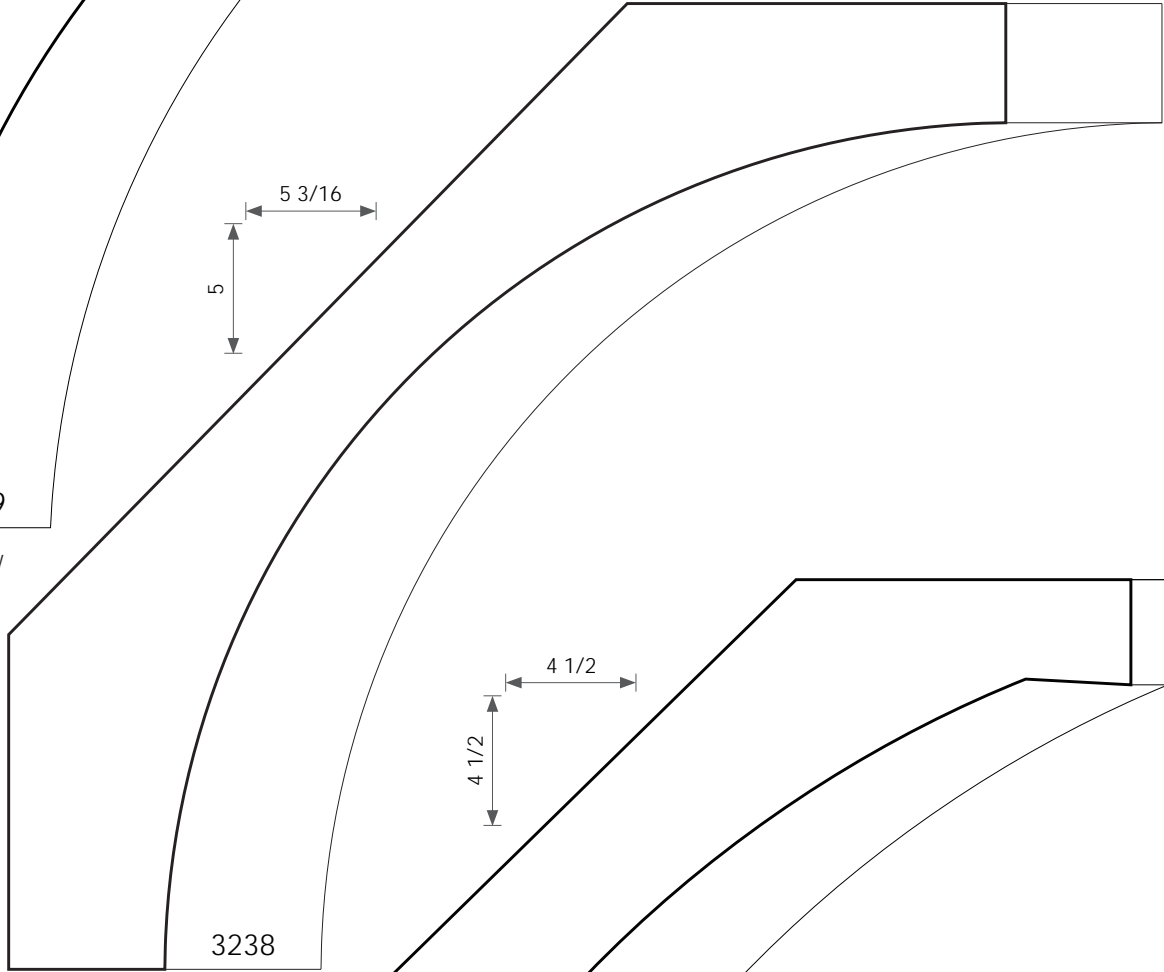
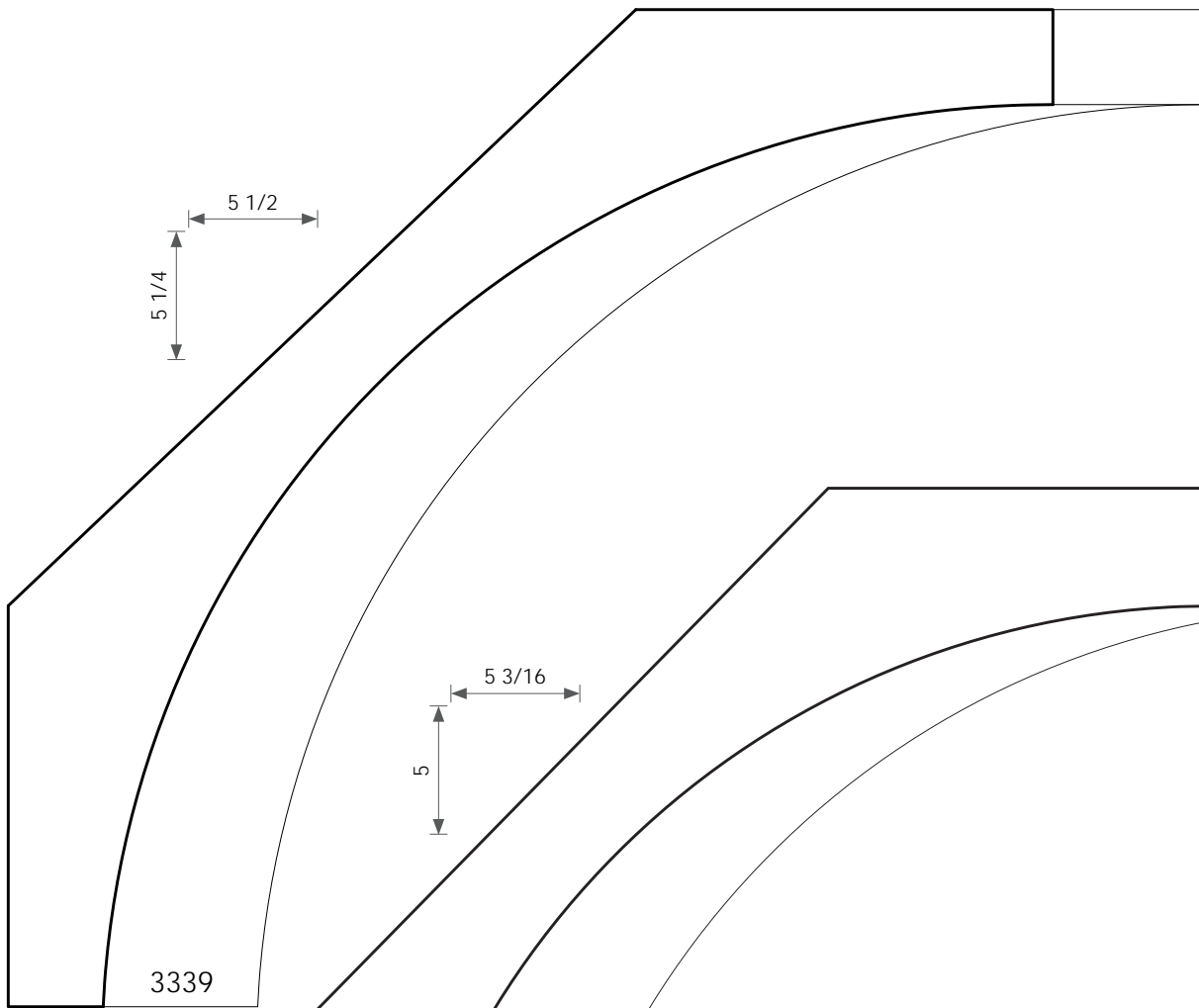
RABBET 5/8 X 1/4



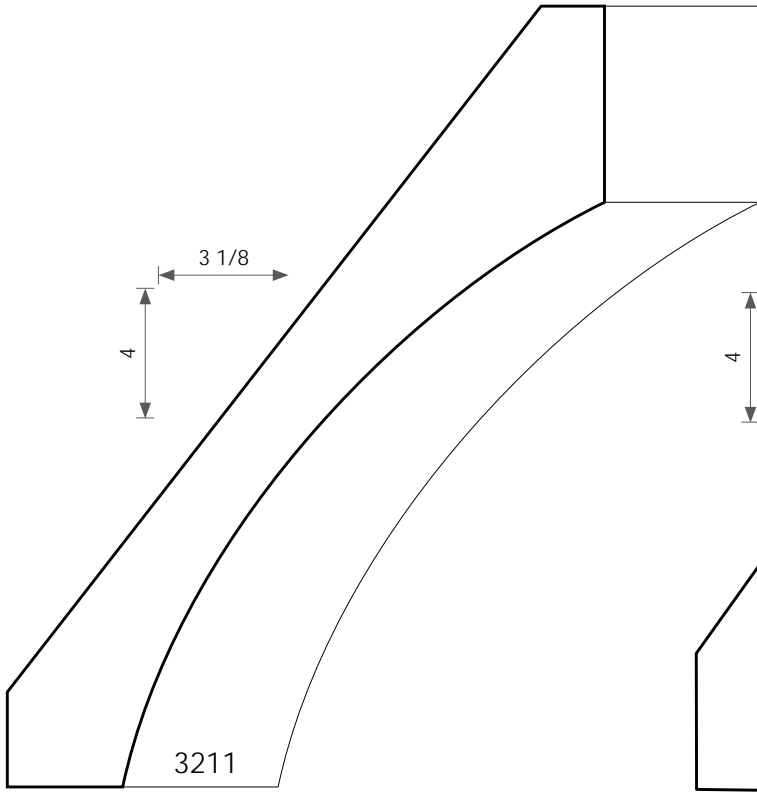




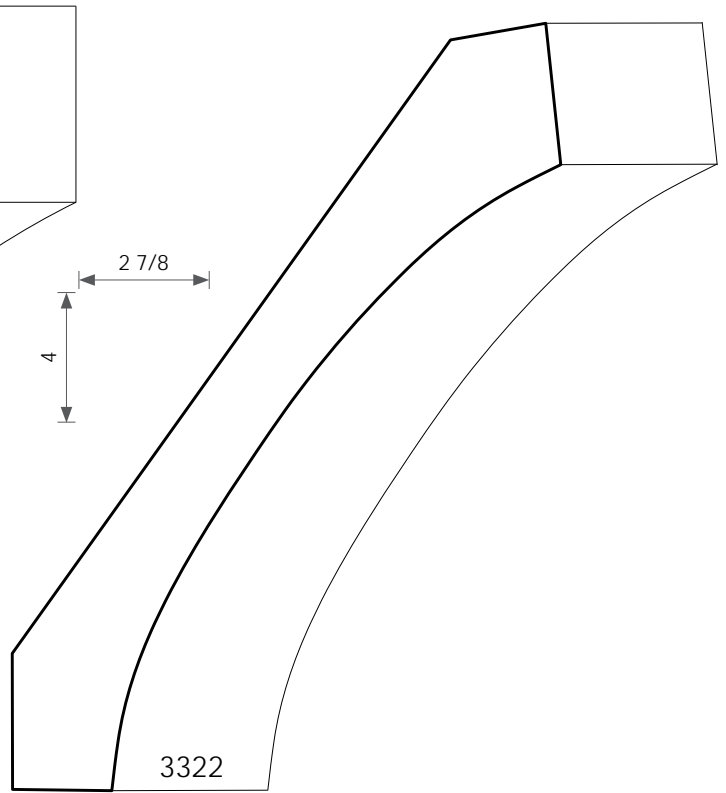
CROWN  
CONGE



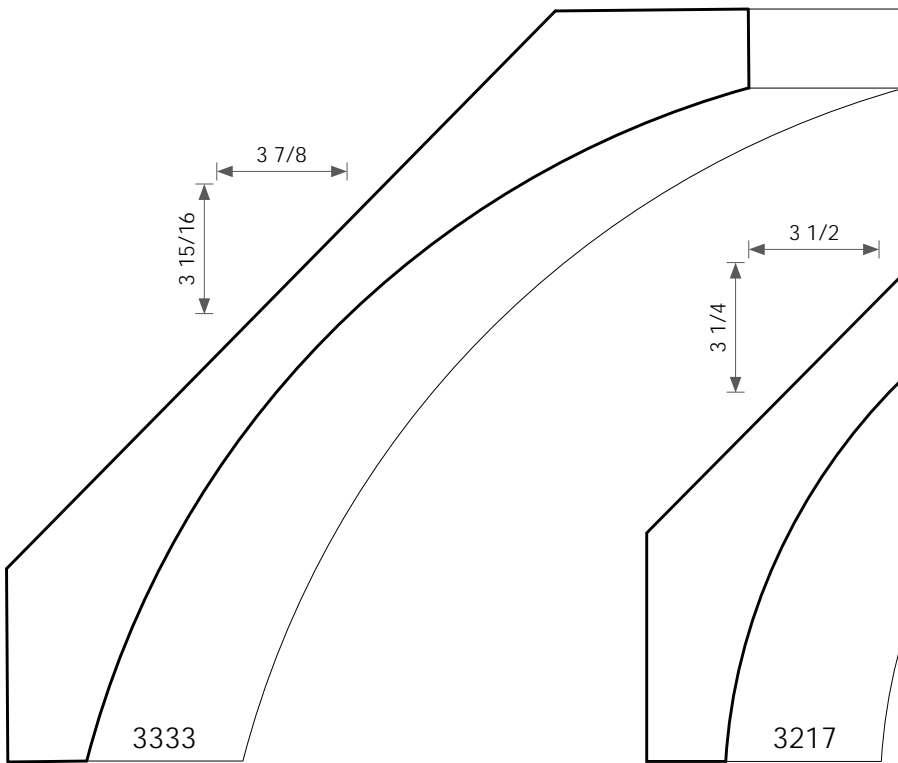
CROWN  
COVE



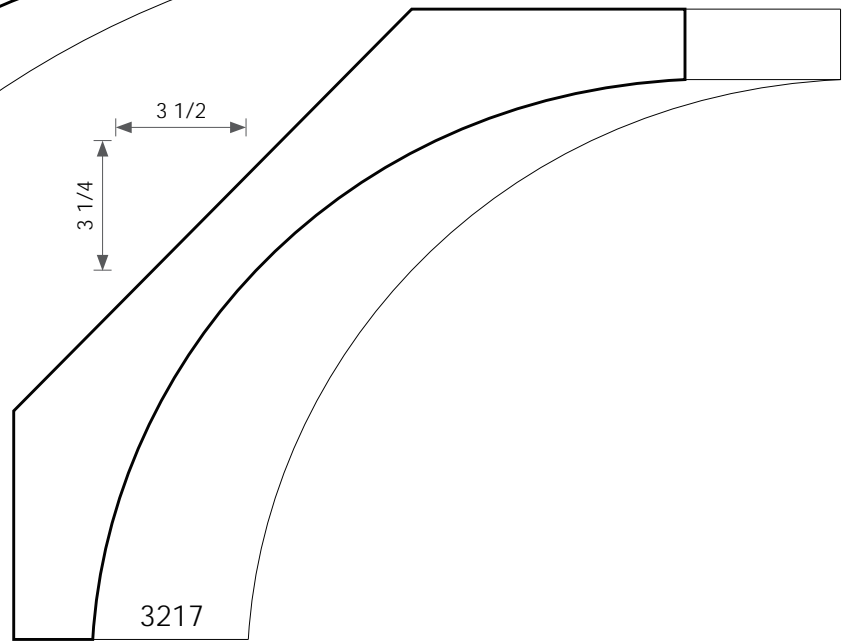
7/8T X 5-1/8W



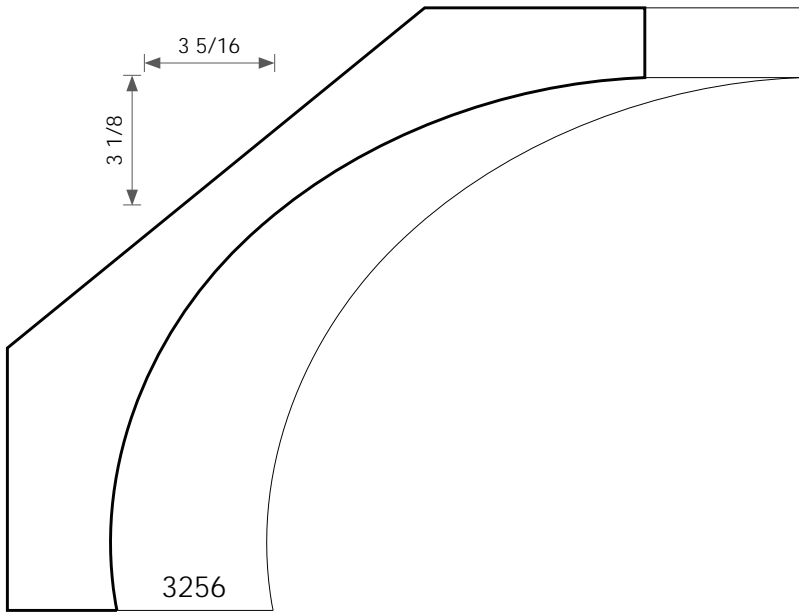
7/8T X 4-7/8W



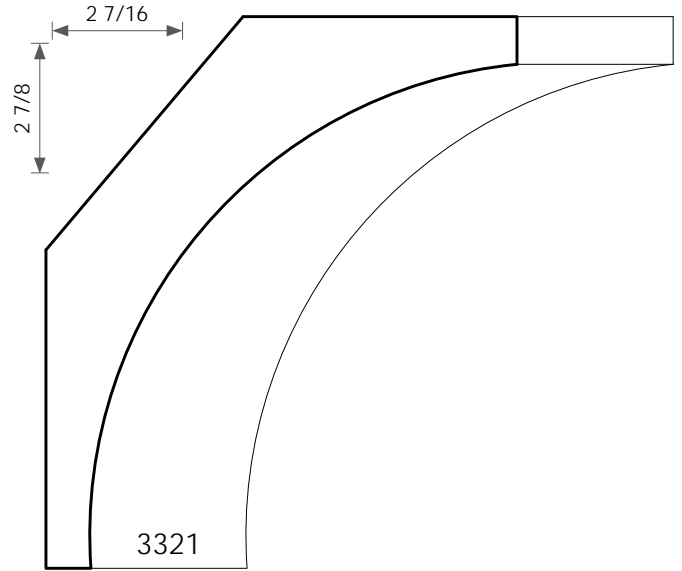
1T X 5-1/2W



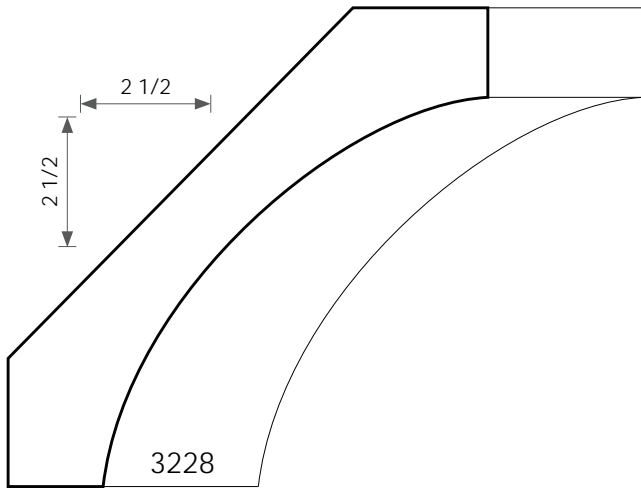
1-1/4T X 4-3/4W



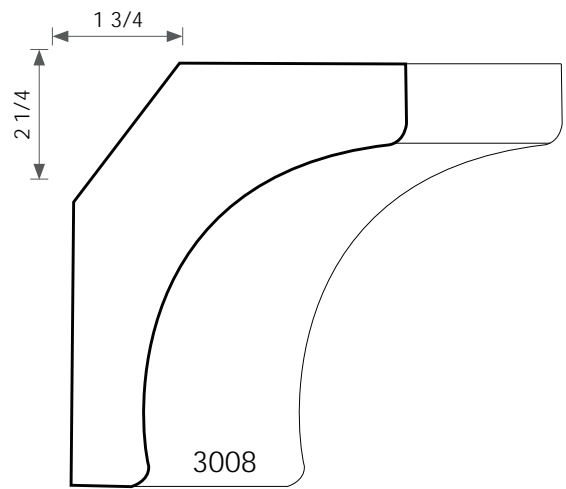
1-1/4T X 4-5/8W



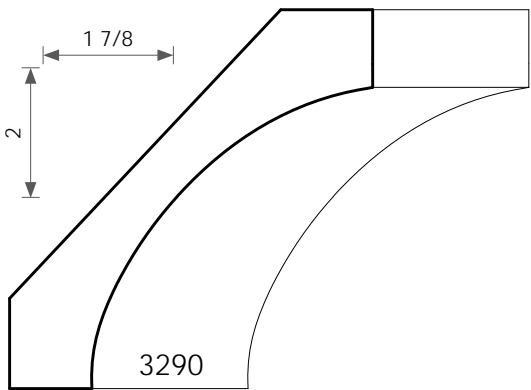
1-1/4T X 3-3/4W



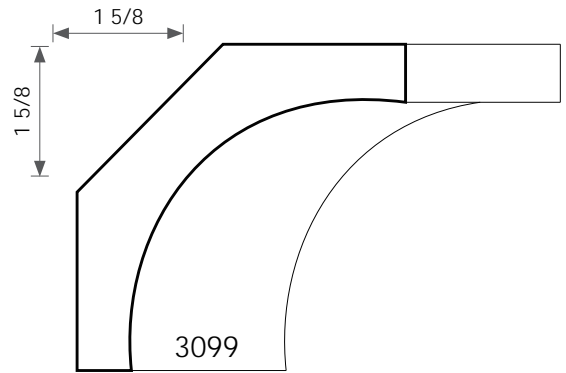
3/4T X 3-1/2W



1-3/8T X 2-3/4W

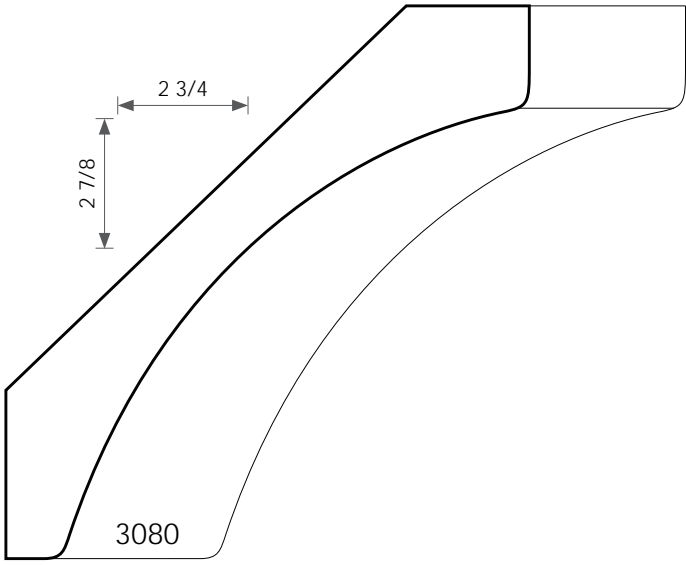


5/8T X 2-3/4W

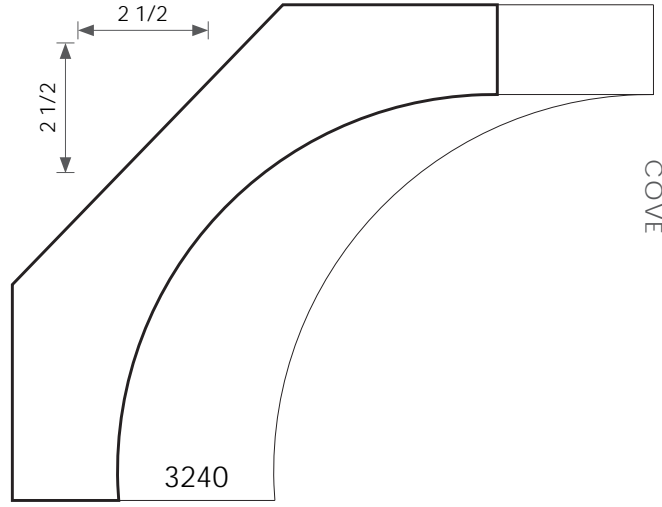


7/8T X 2-3/4W

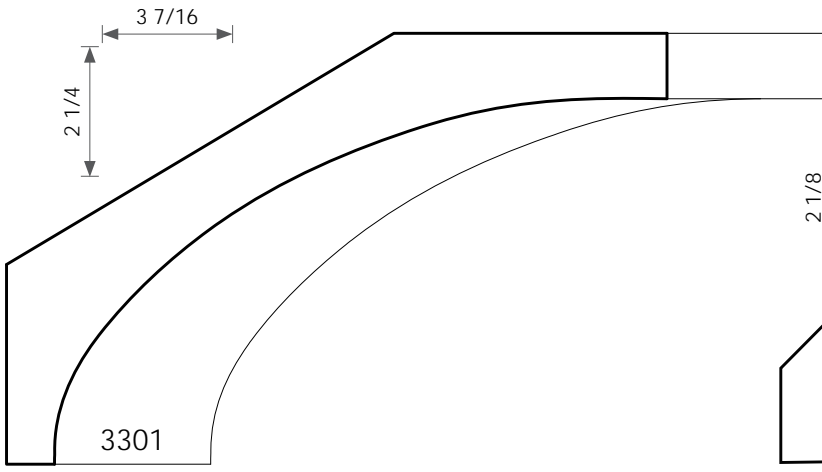
CROWN  
COVE



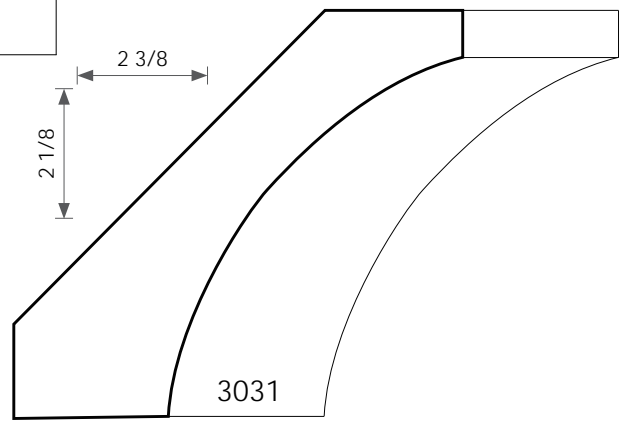
$\frac{3}{4}T \times 4W$



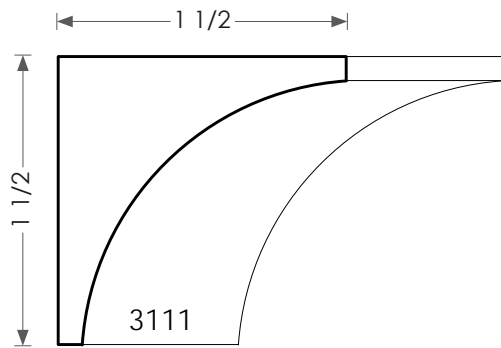
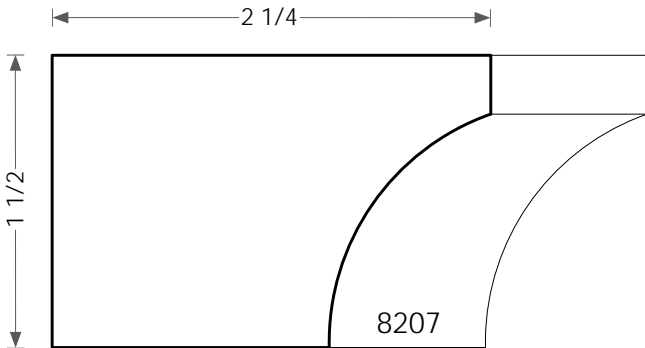
$1 \frac{1}{8}T \times 3 \frac{1}{2}W$



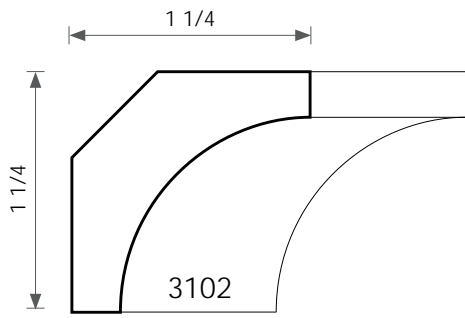
$1 \frac{1}{16}T \times 4 \frac{1}{8}W$



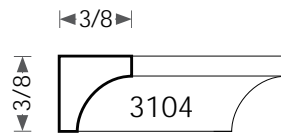
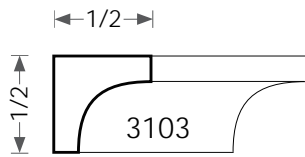
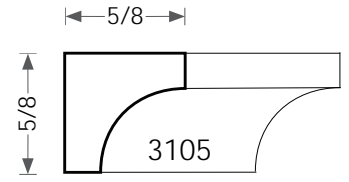
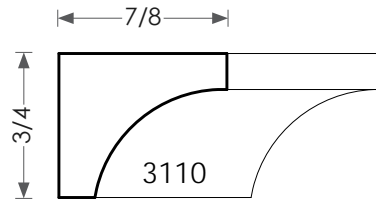
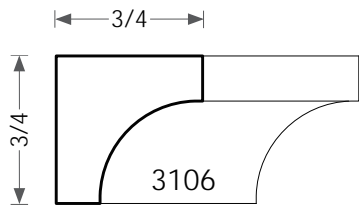
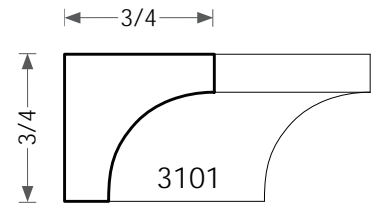
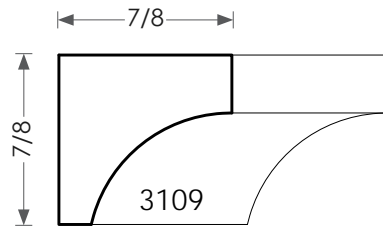
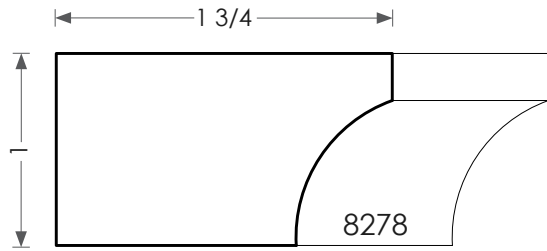
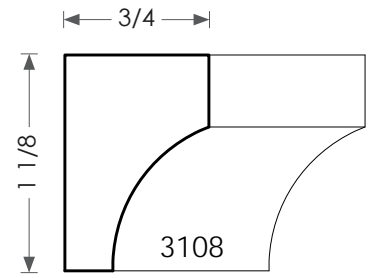
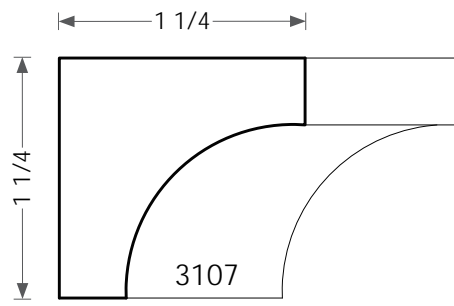
$\frac{7}{8}T \times 3 \frac{1}{8}W$



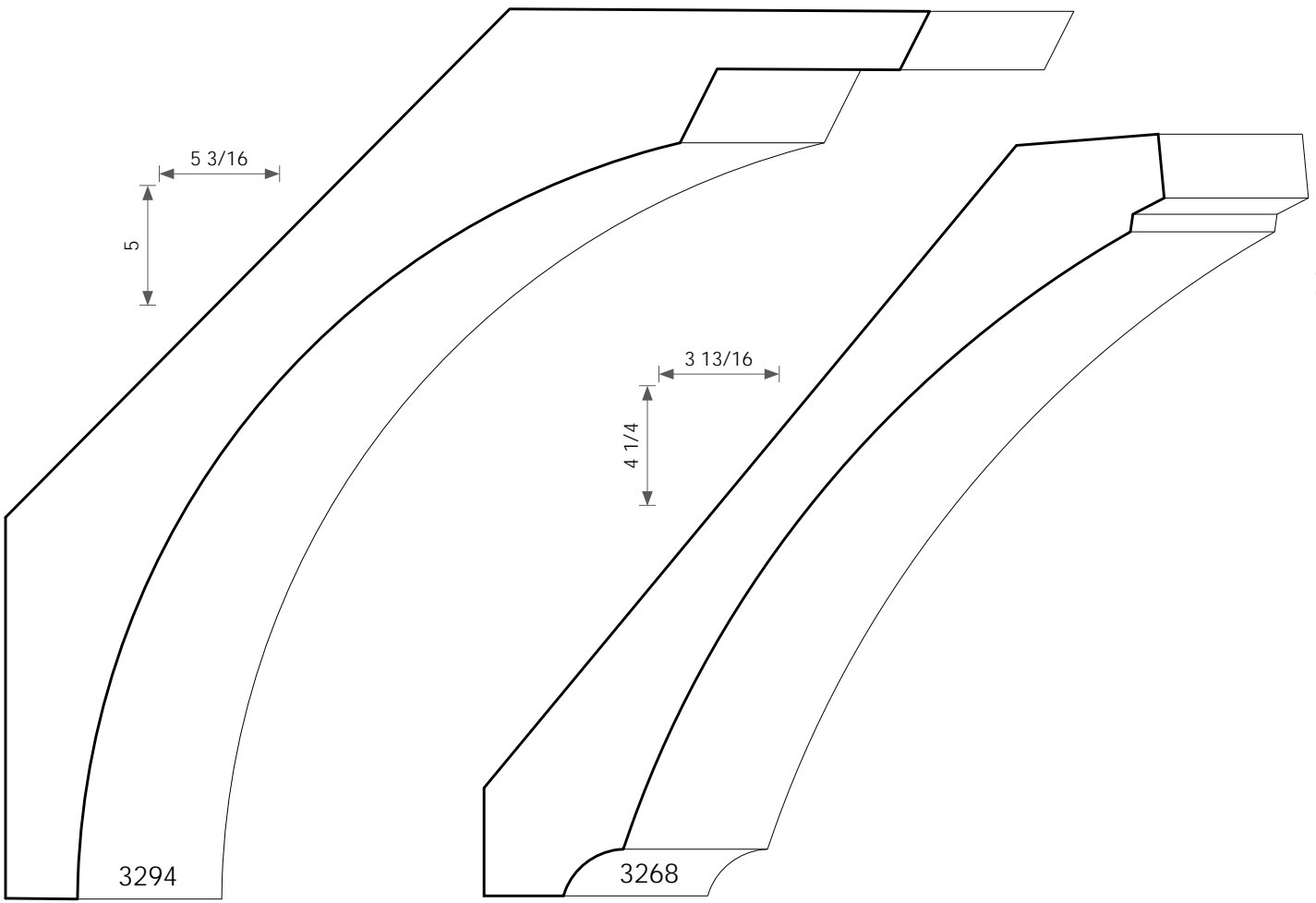




3/4T X 1-3/4W

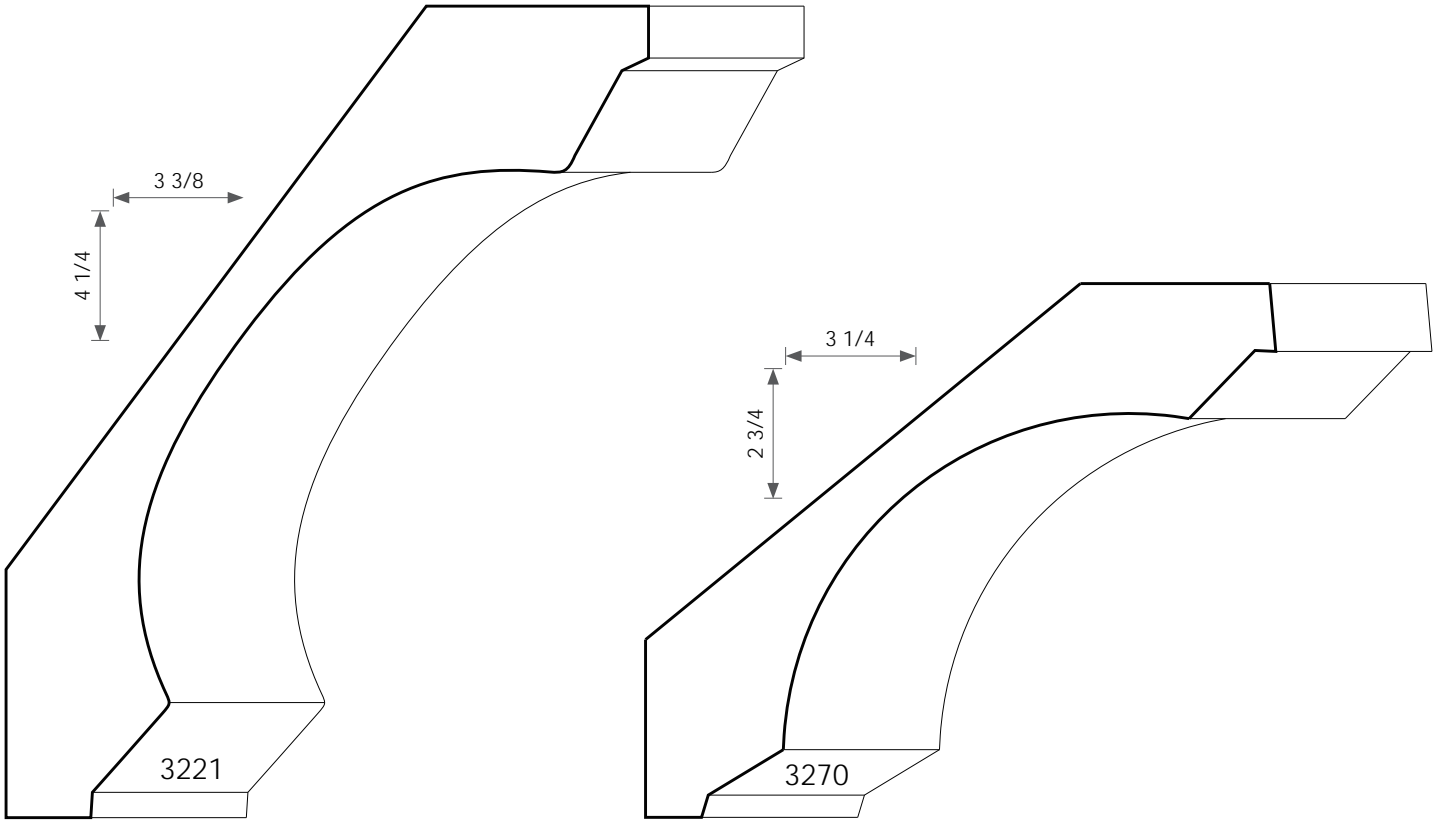


CROWN  
COVE



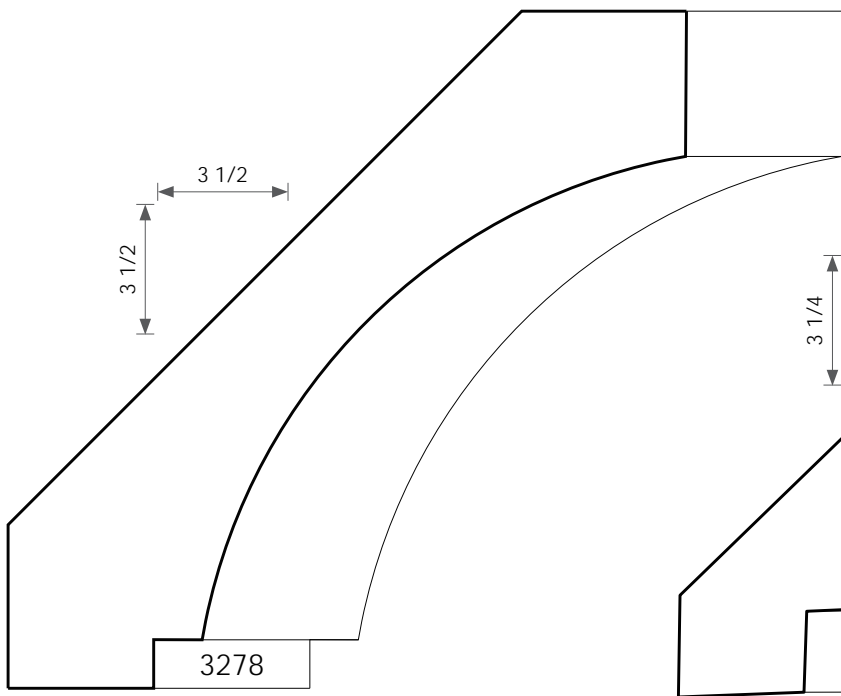
1-3/4T X 7-1/4W

3/4T X 5-9/16W

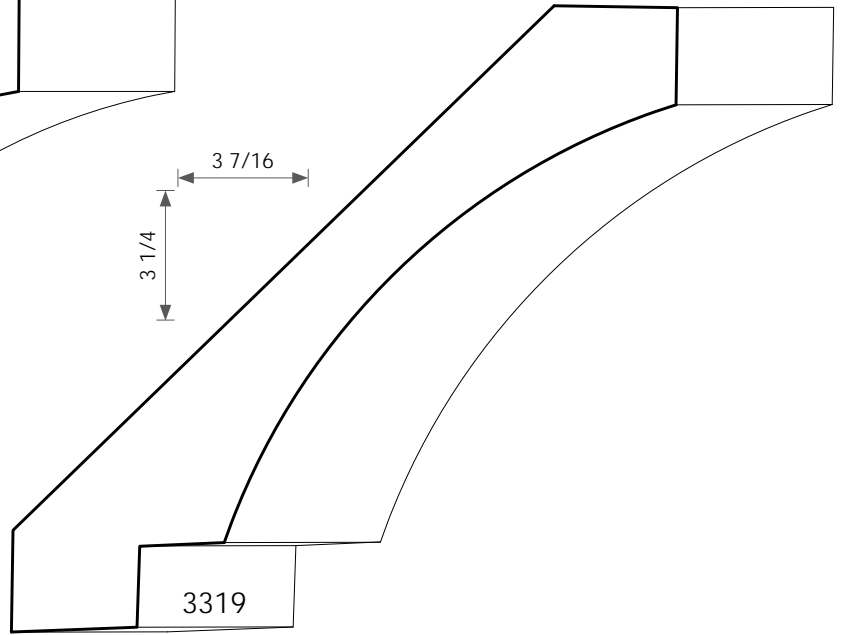


1-1/8T X 5-3/8W

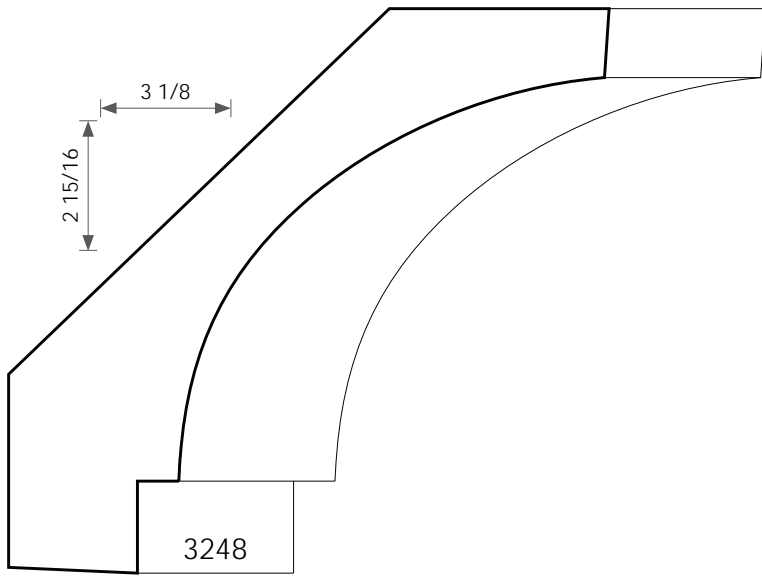
7/8T X 4-1/4W



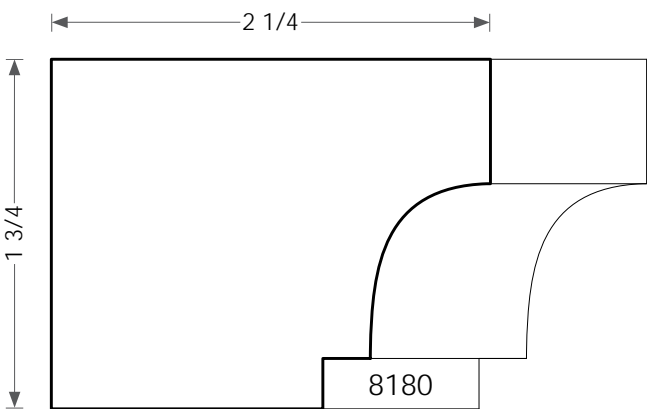
1-1/8T X 4-7/8W



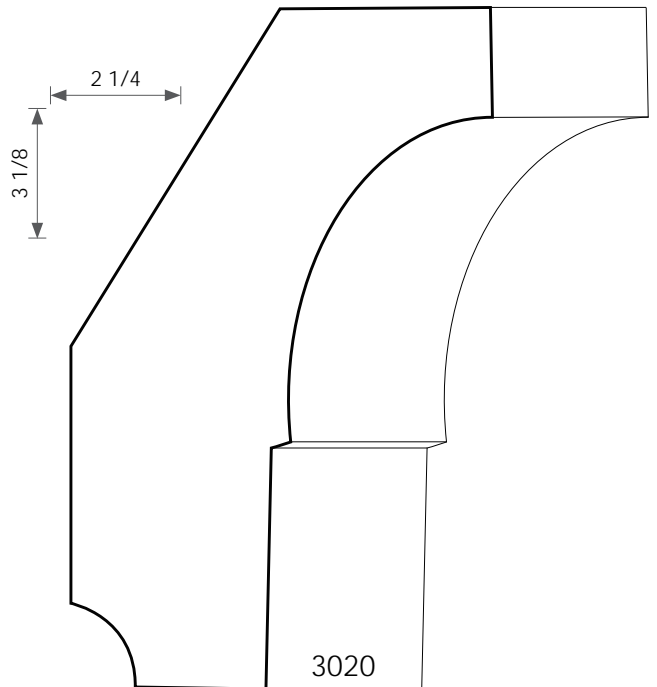
13/16T X 4-3/4W



1-3/16T X 4-3/16W

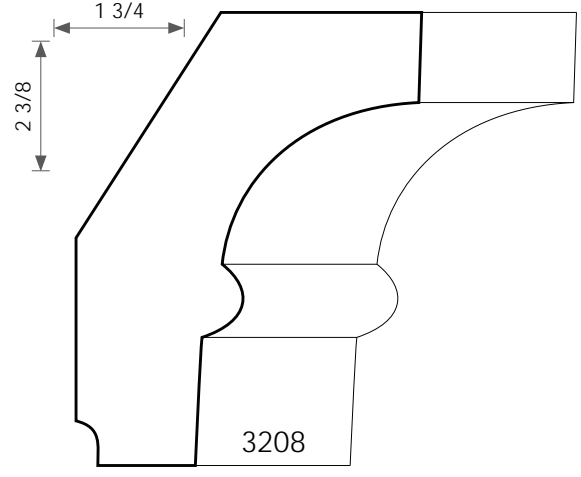
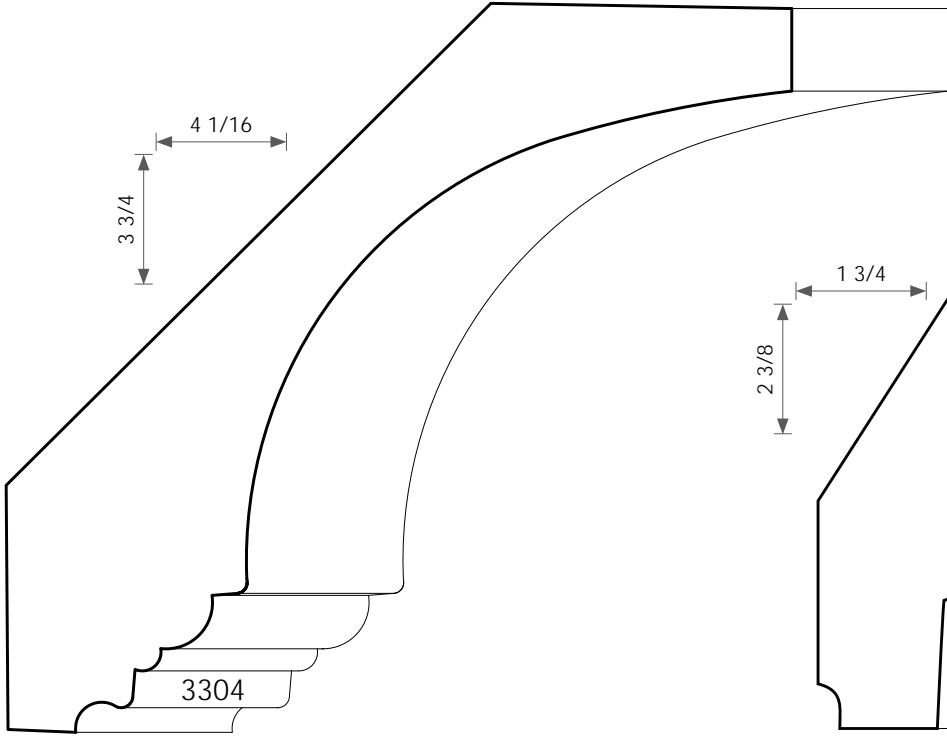
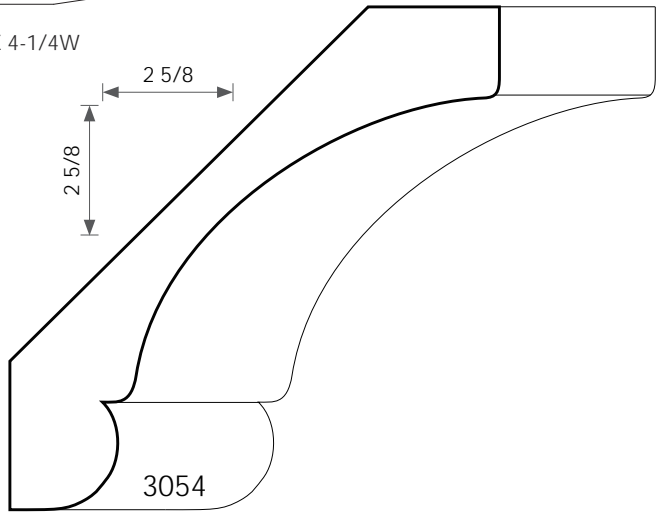
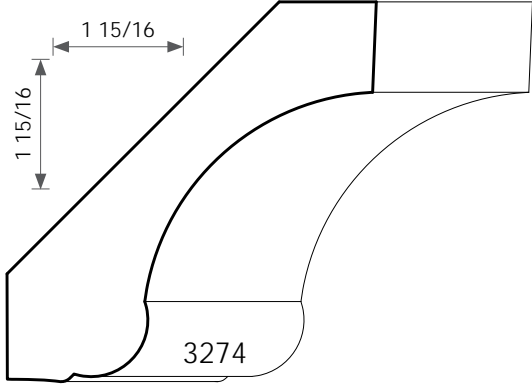
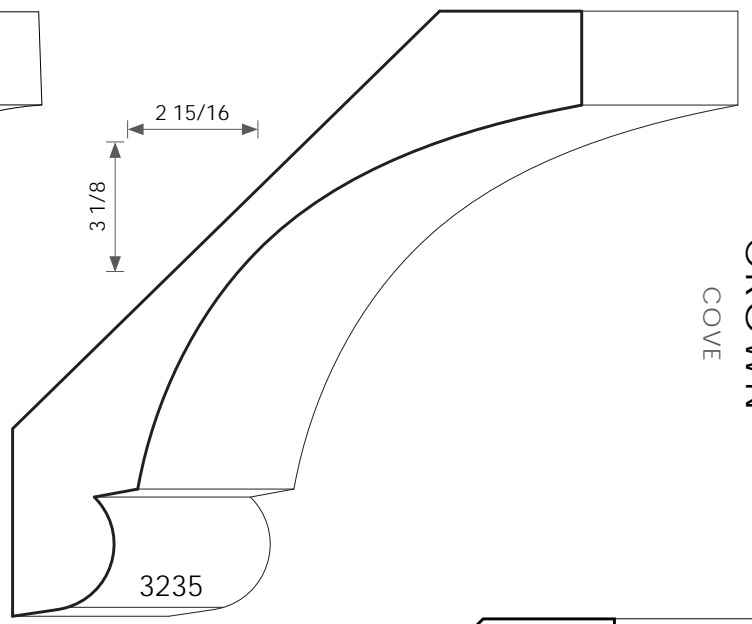
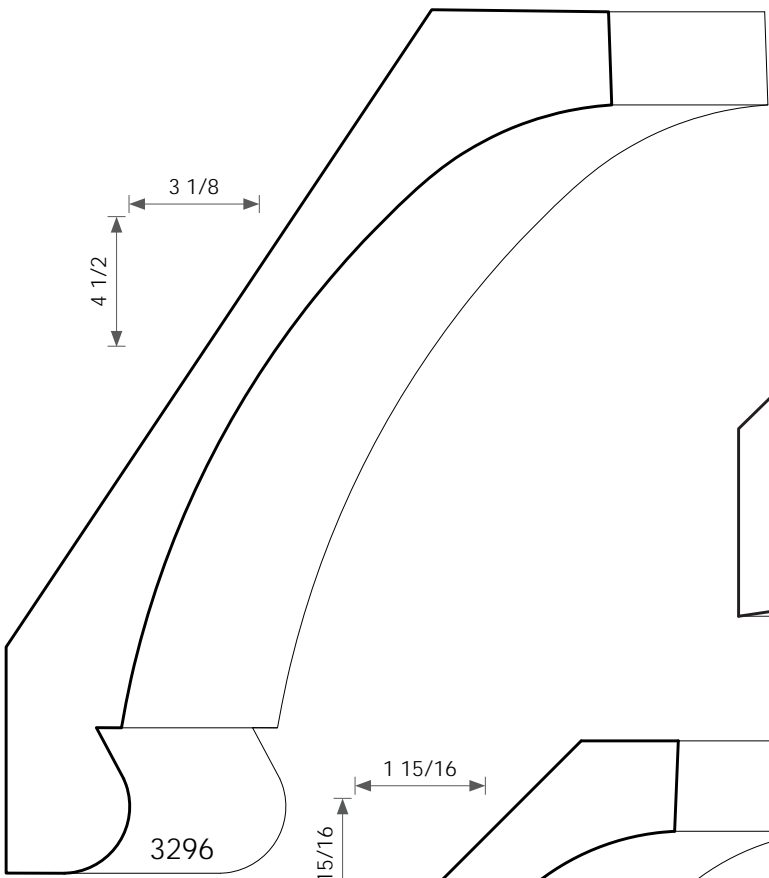


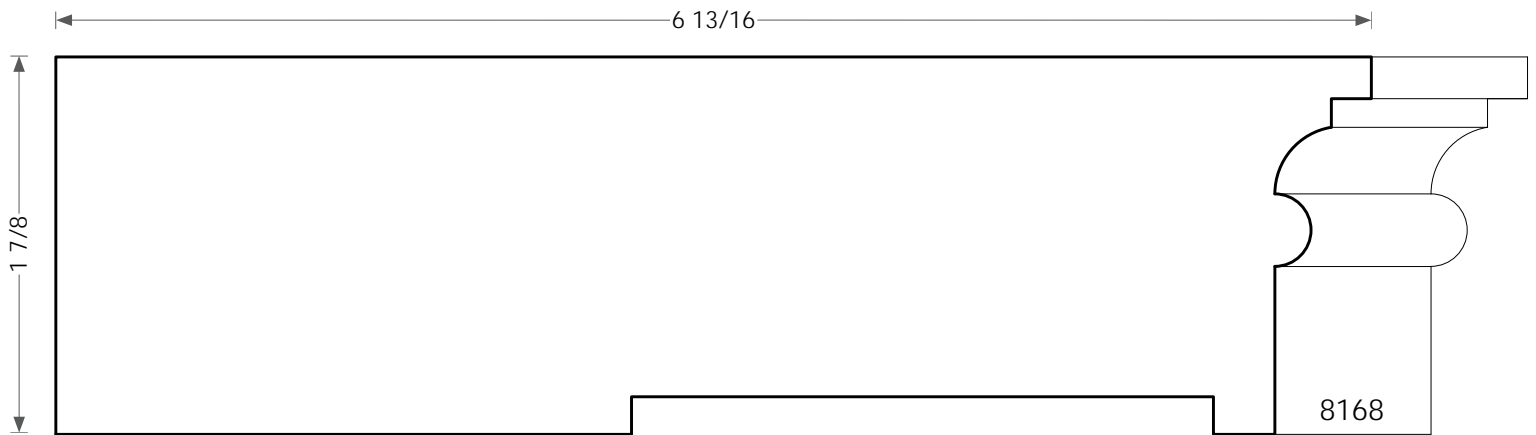
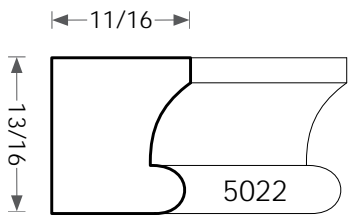
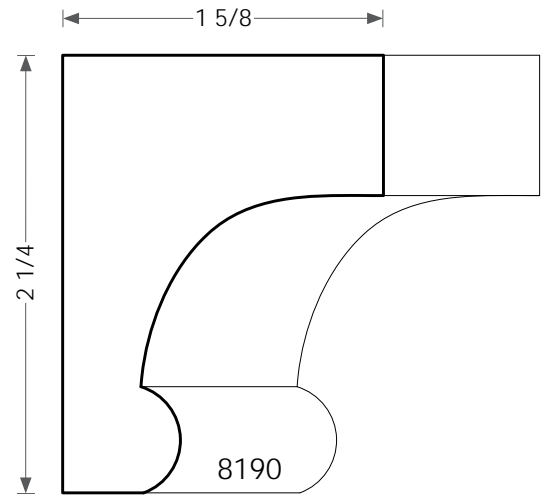
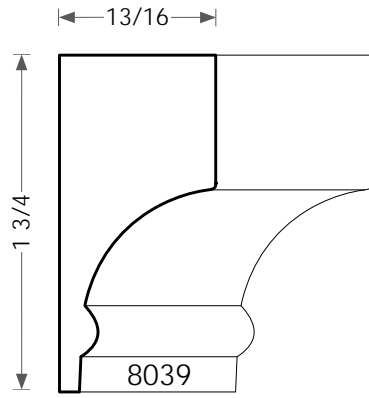
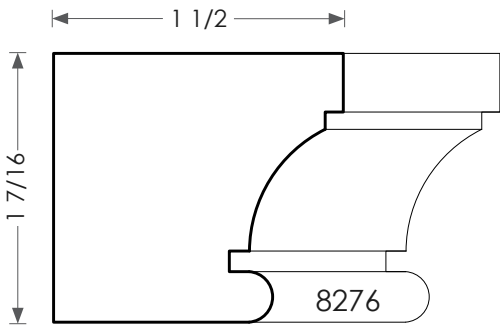
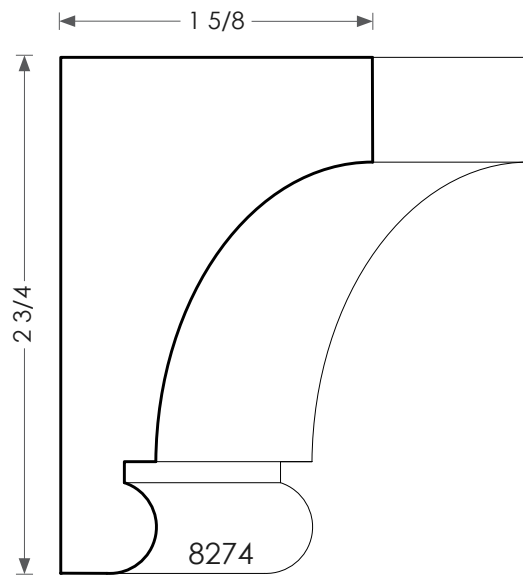
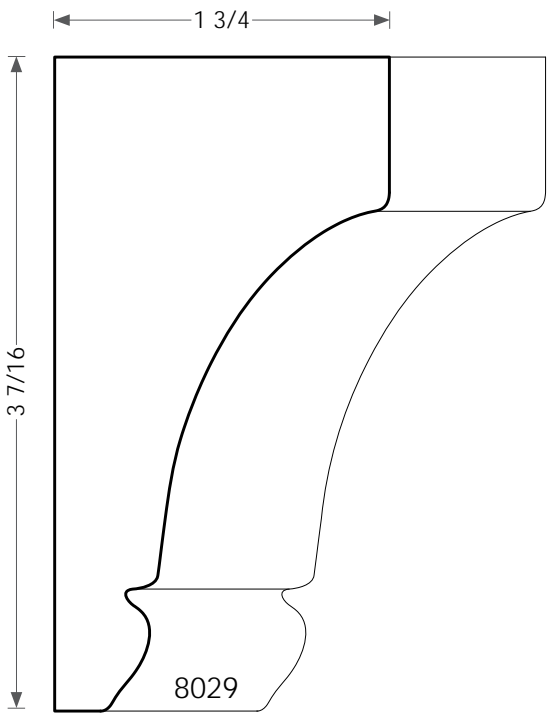
RABBET 1/4 X 1/4



1-3/4T X 3-7/8W

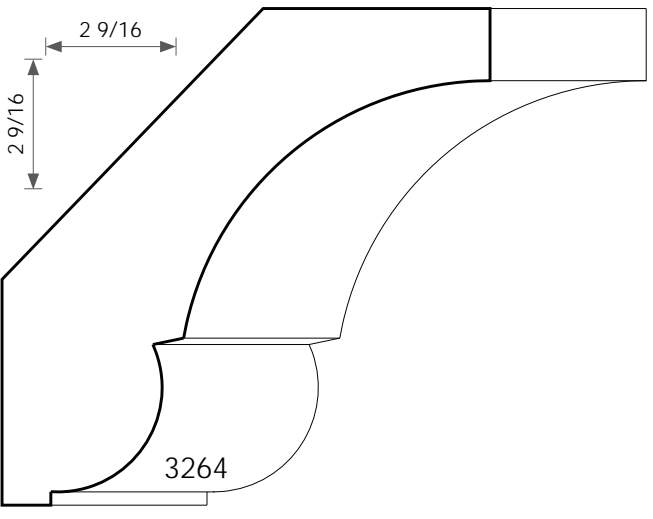
CROWN  
COVER



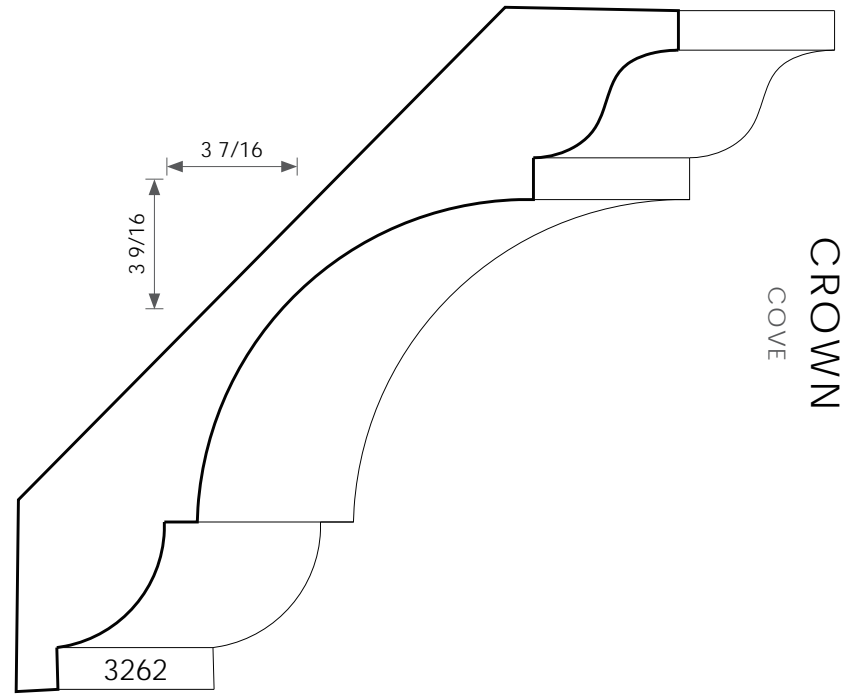


RABBET 3/16 X 3

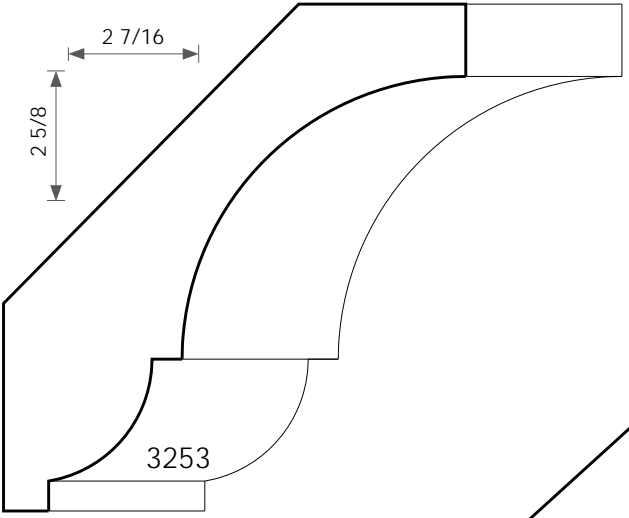
CROWN  
COVE



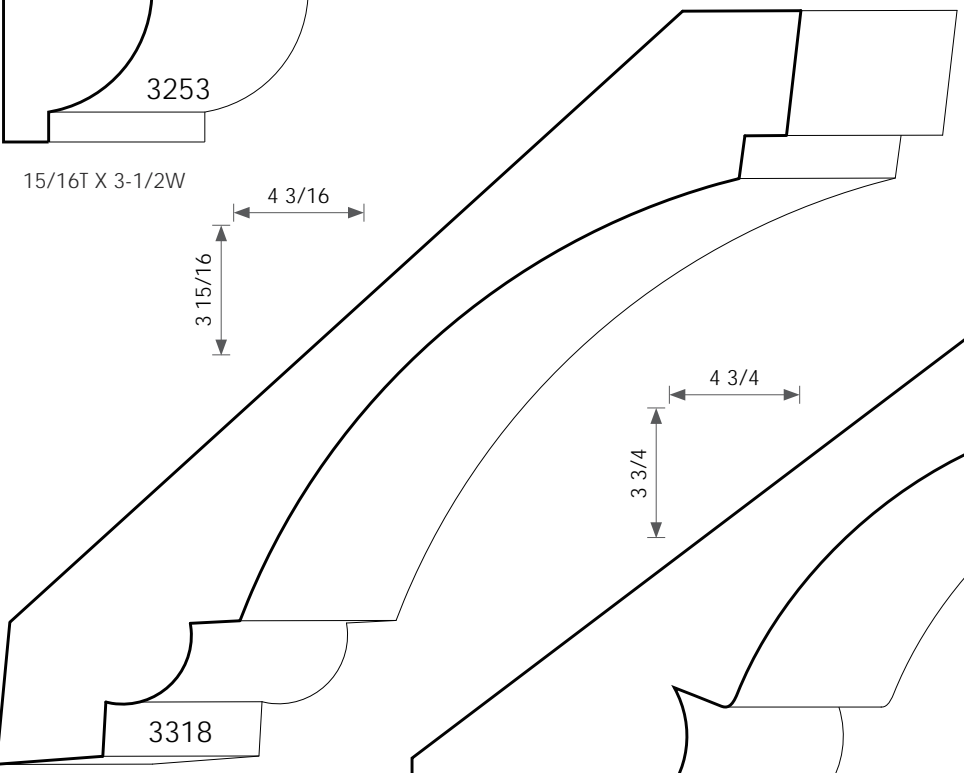
1-1/8T X 3-1/2W



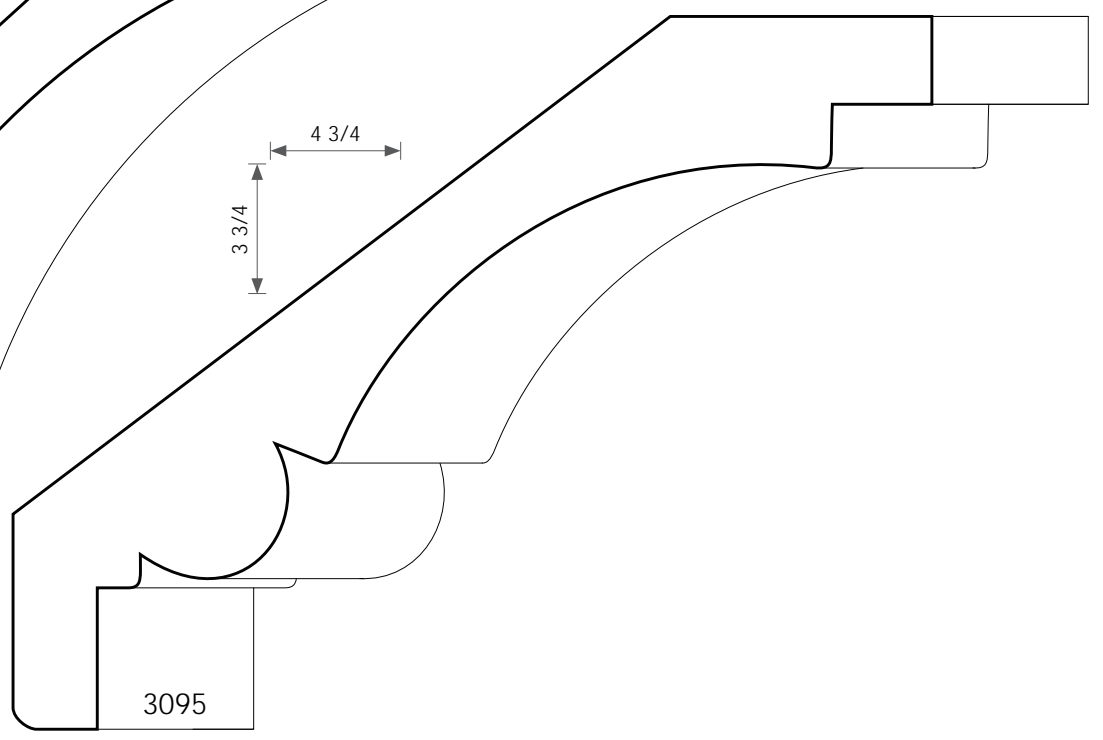
13/16T X 4-7/8W



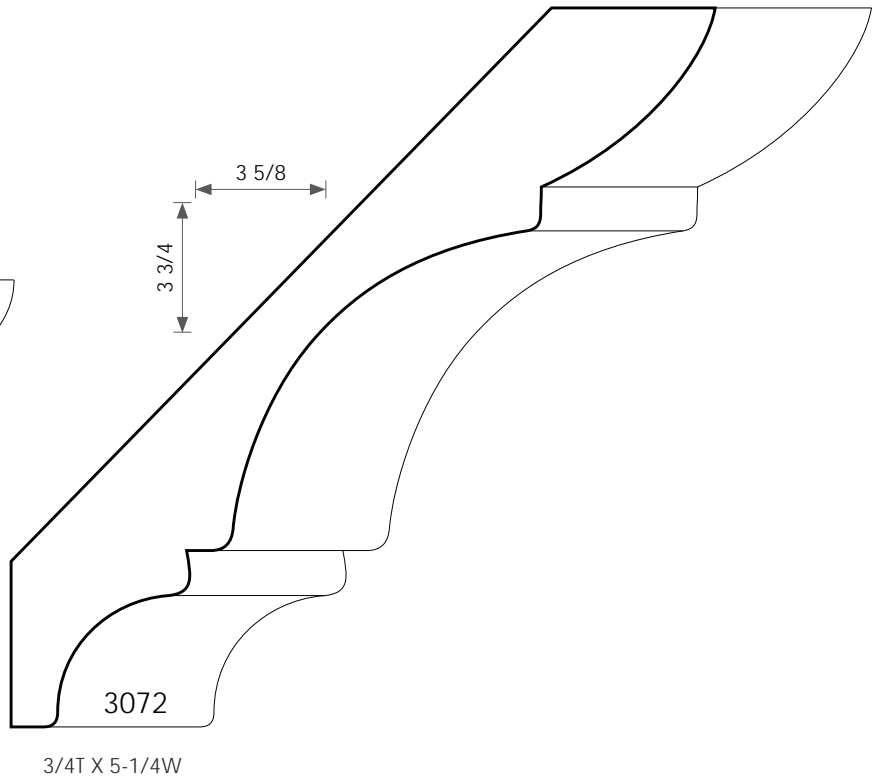
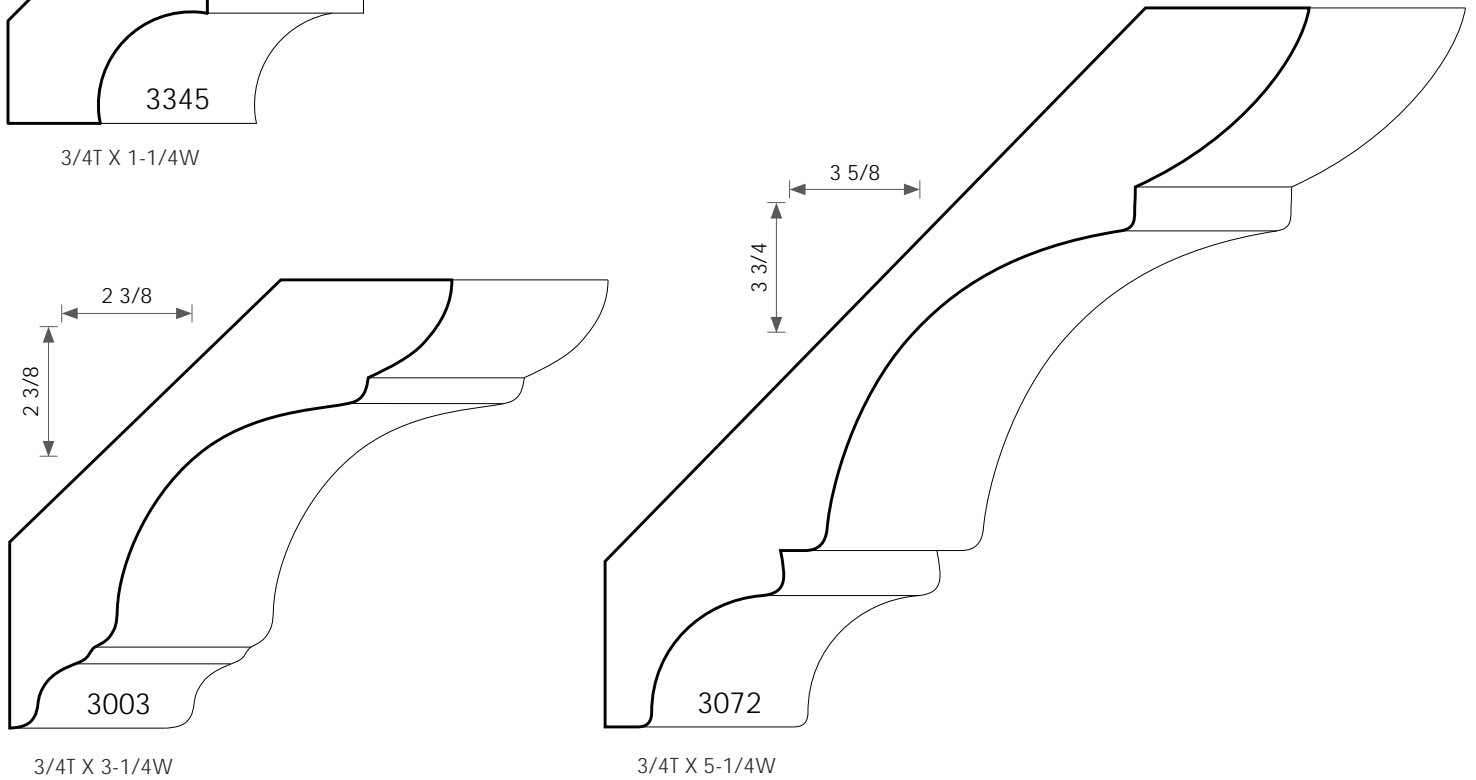
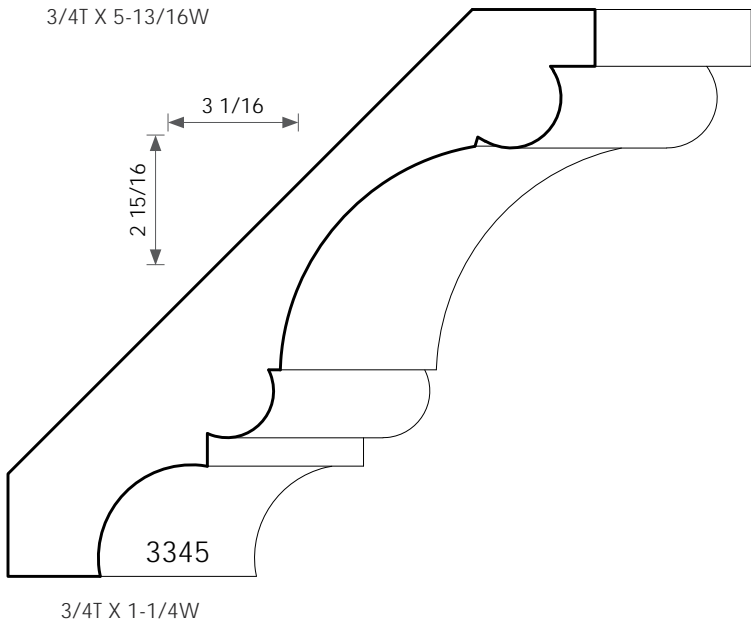
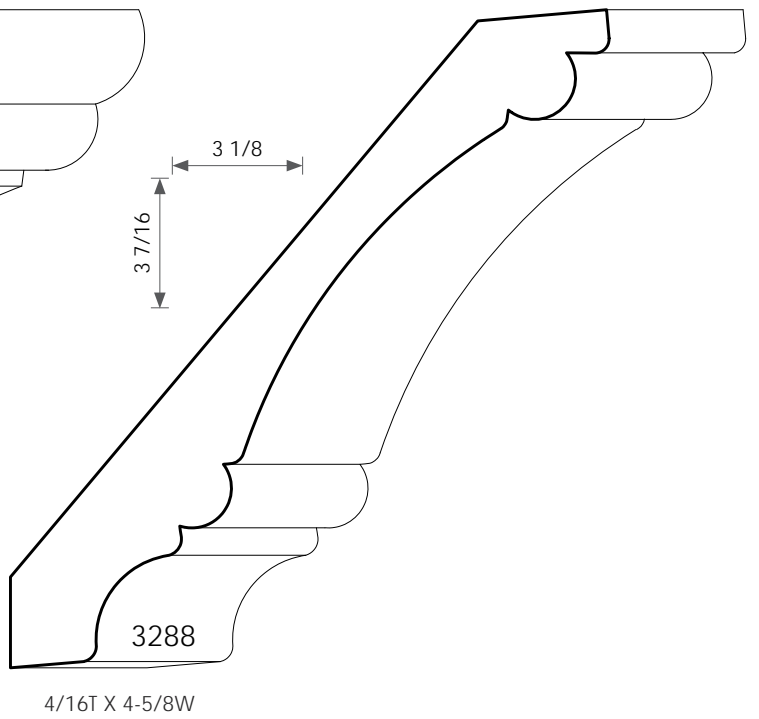
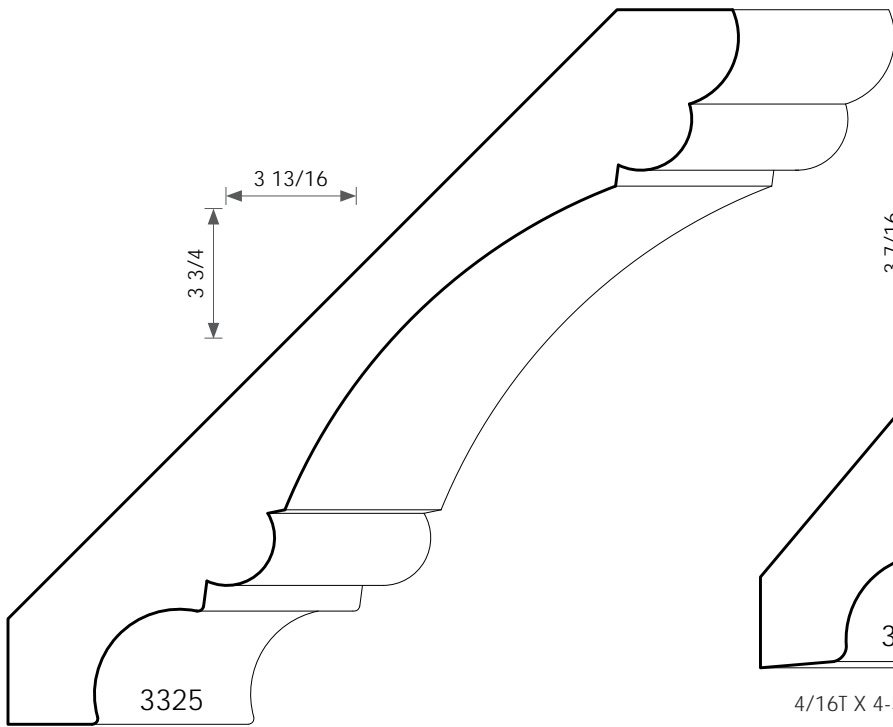
15/16T X 3-1/2W



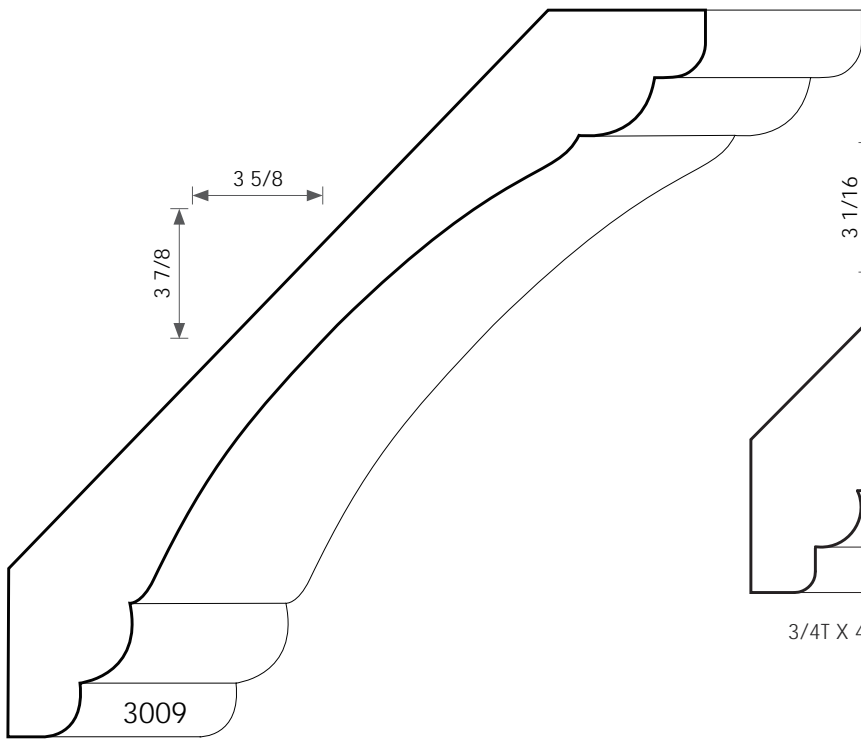
7/8T X 5-3/4W



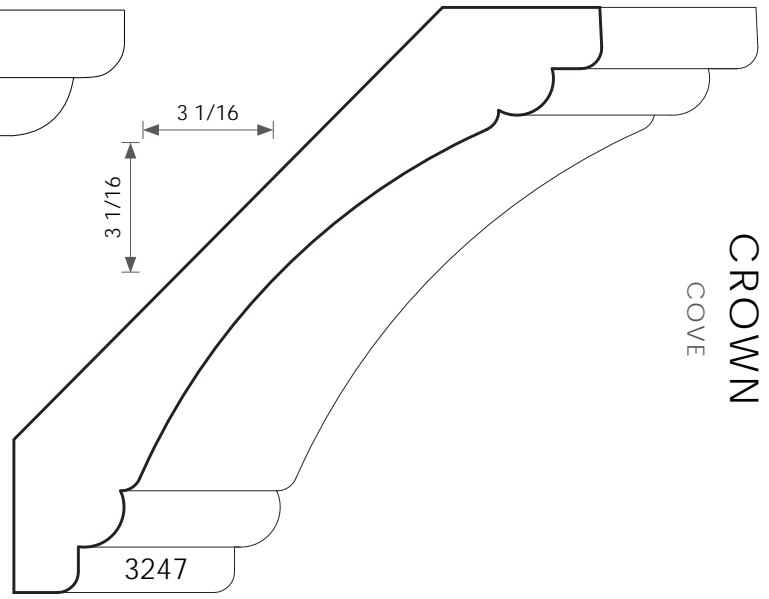
1-1/8T X 6W



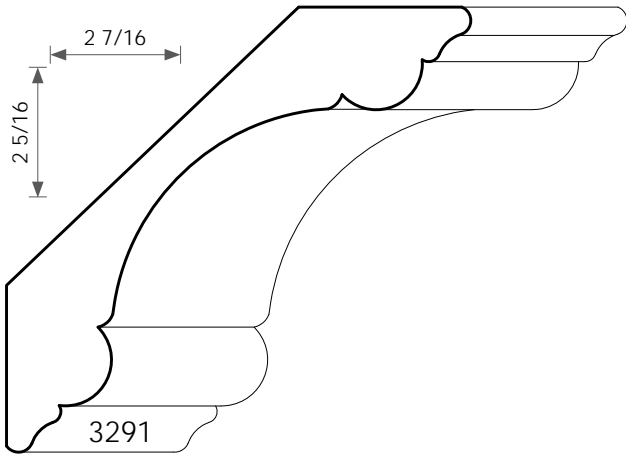
CROWN  
COVE



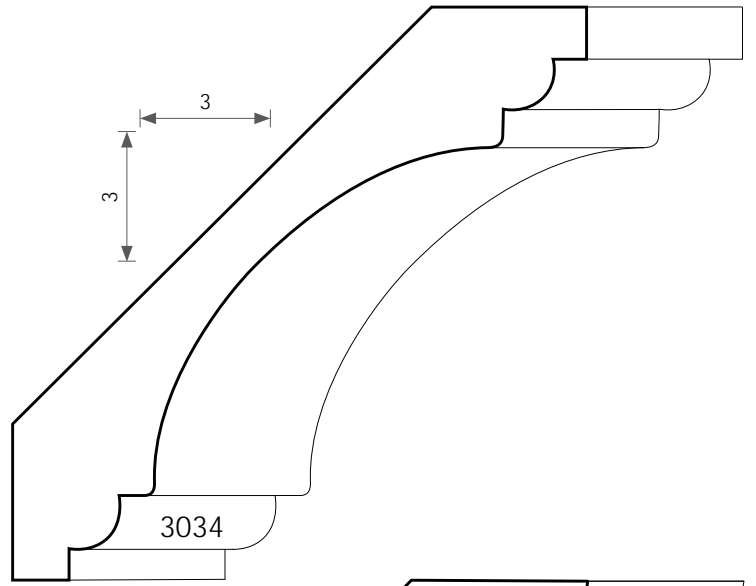
3/4T X 5-1/4W



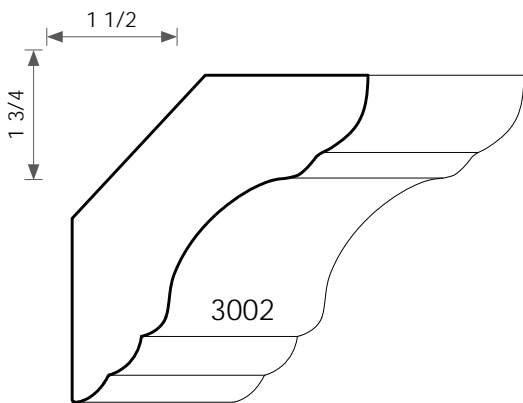
3/4T X 4-1/4W



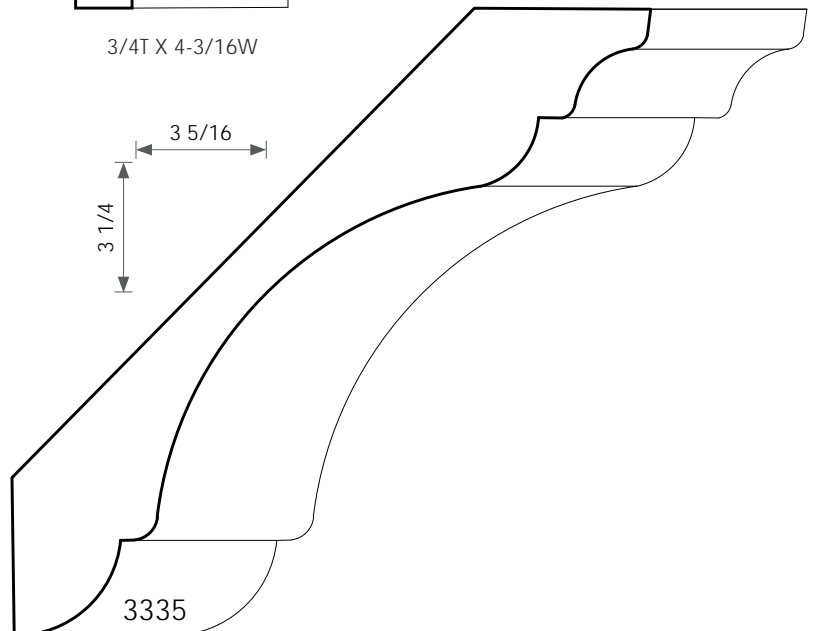
3/4T X 3-5/16W



3/4T X 4-3/16W

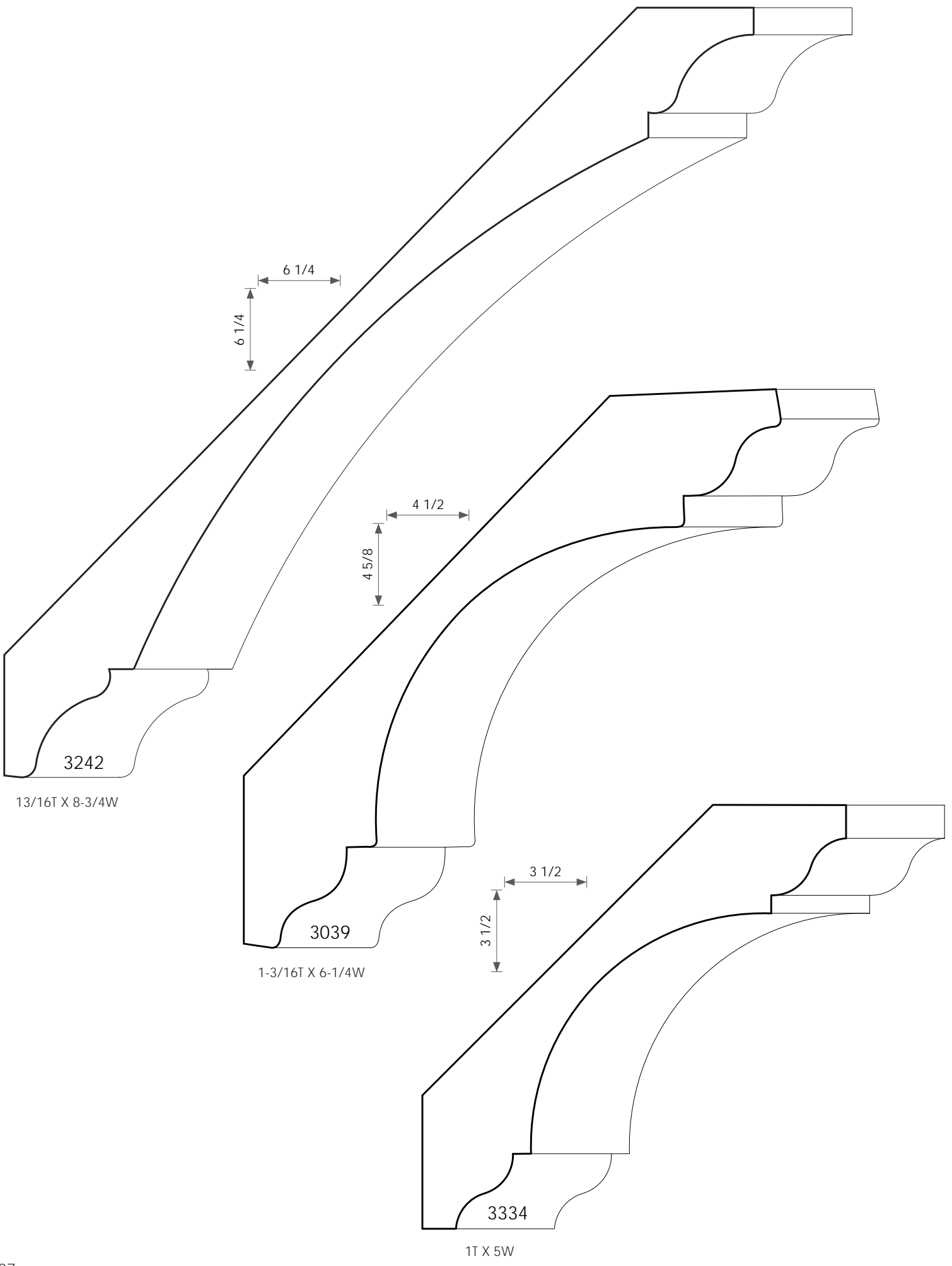


3/4T X 2-3/8W

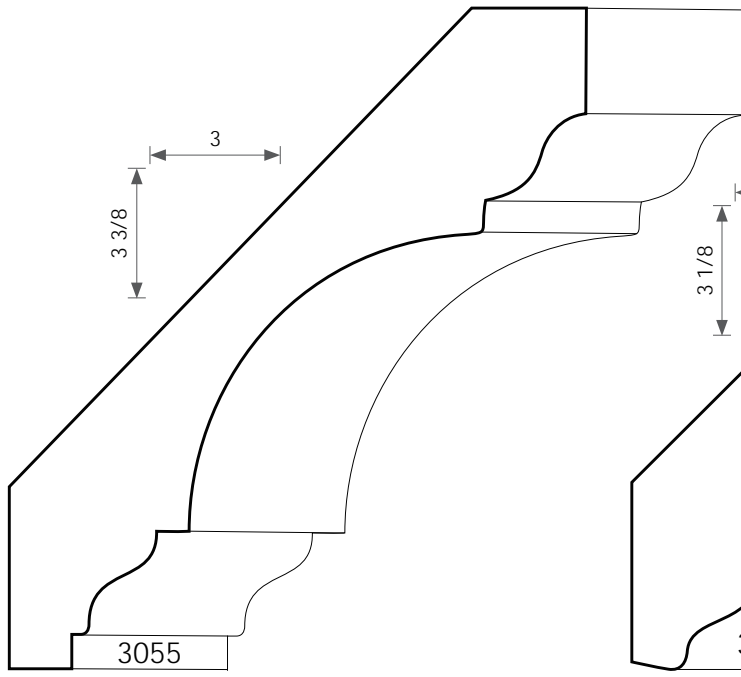


3/4T X 4-5/8W

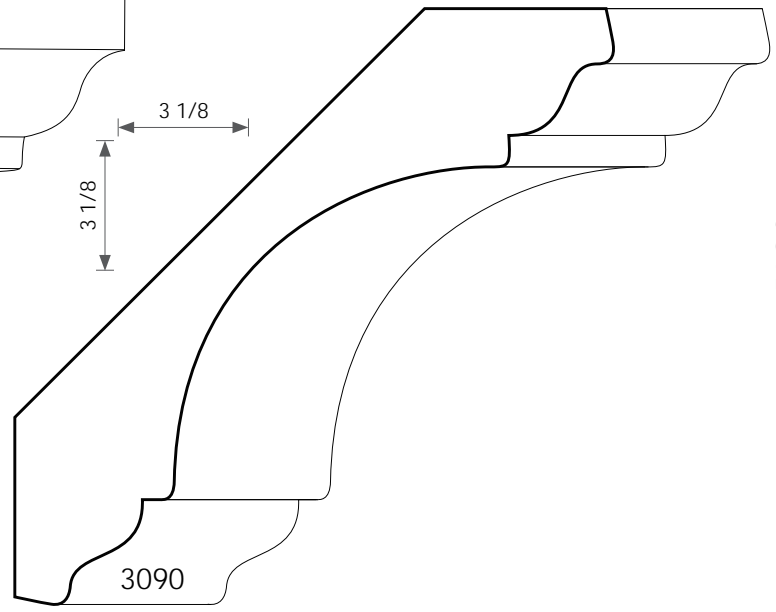




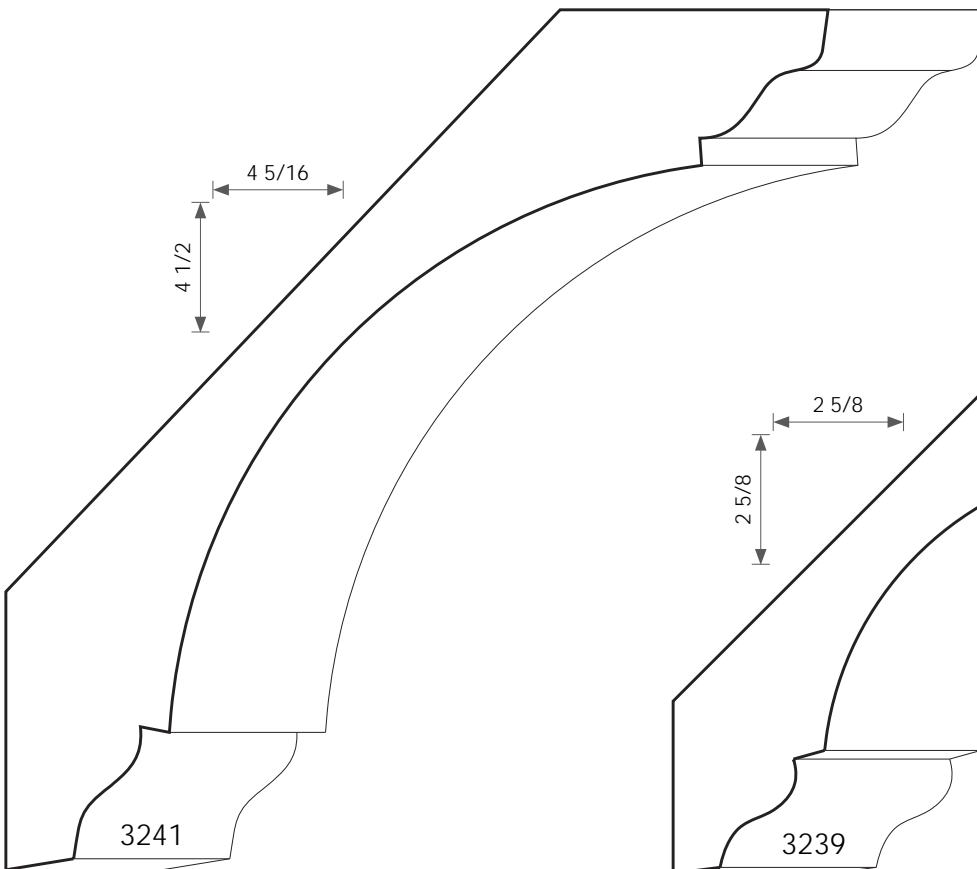
CROWN  
COVE



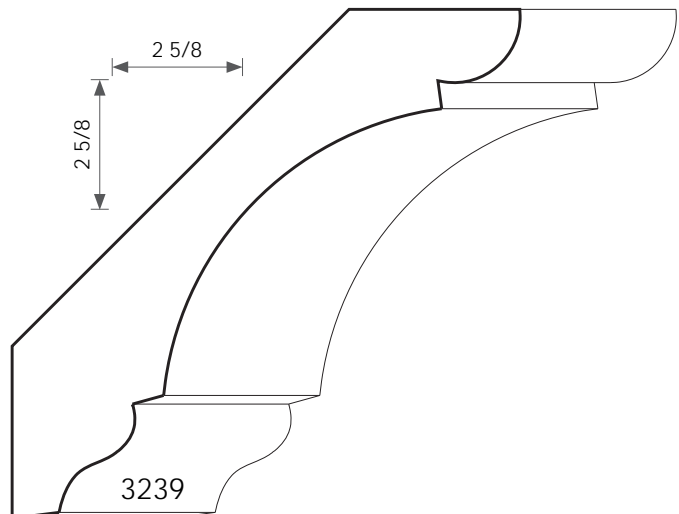
13/16T X 4-1/2W



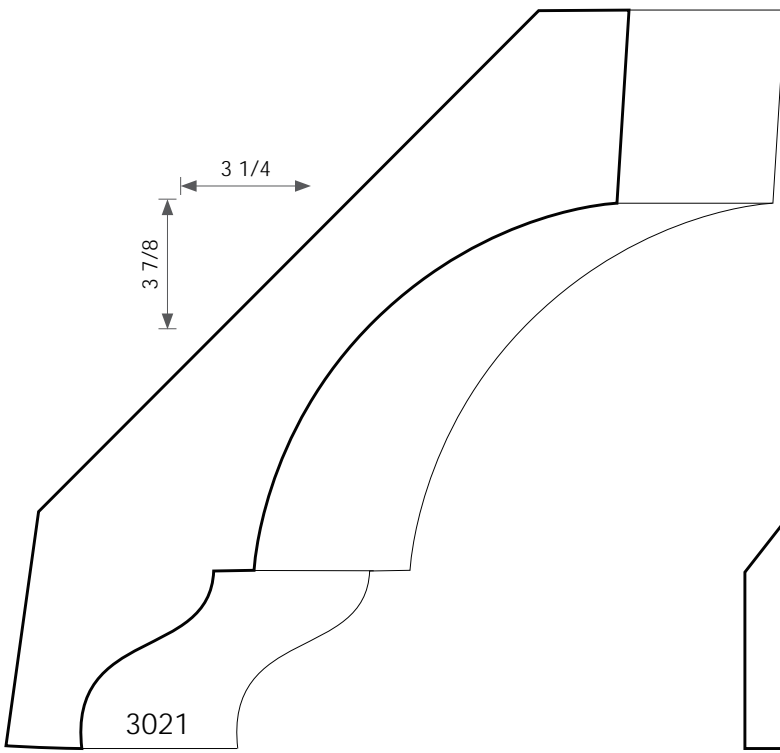
7/8T X 4-1/4W



1-3/16T X 6-1/8W



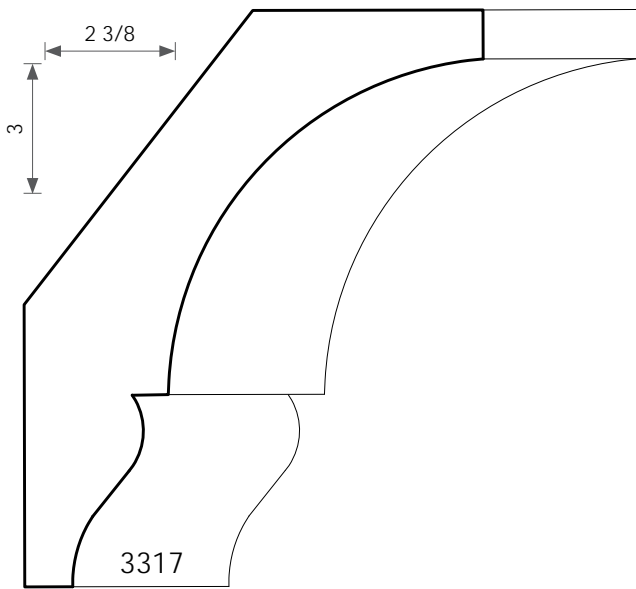
3/4T X 3-3/4W



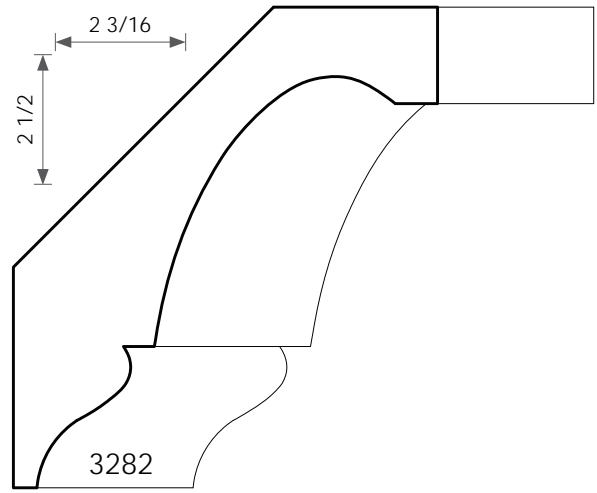
1T X 5W



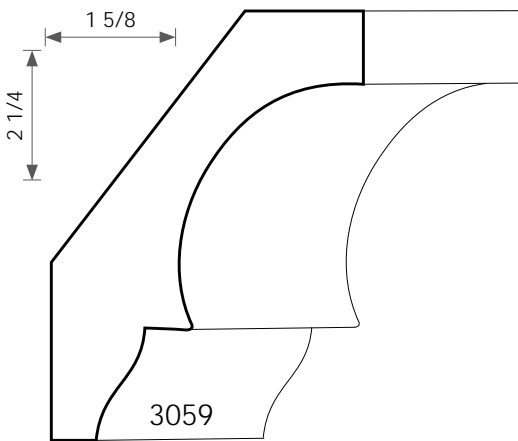
13/16T X 4-9/16W



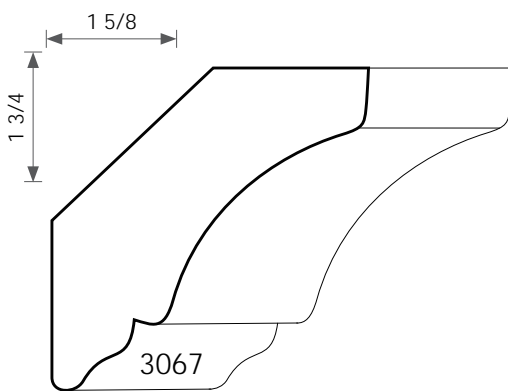
1-1/8T X 3-7/8W



7/8T X 3-1/4W

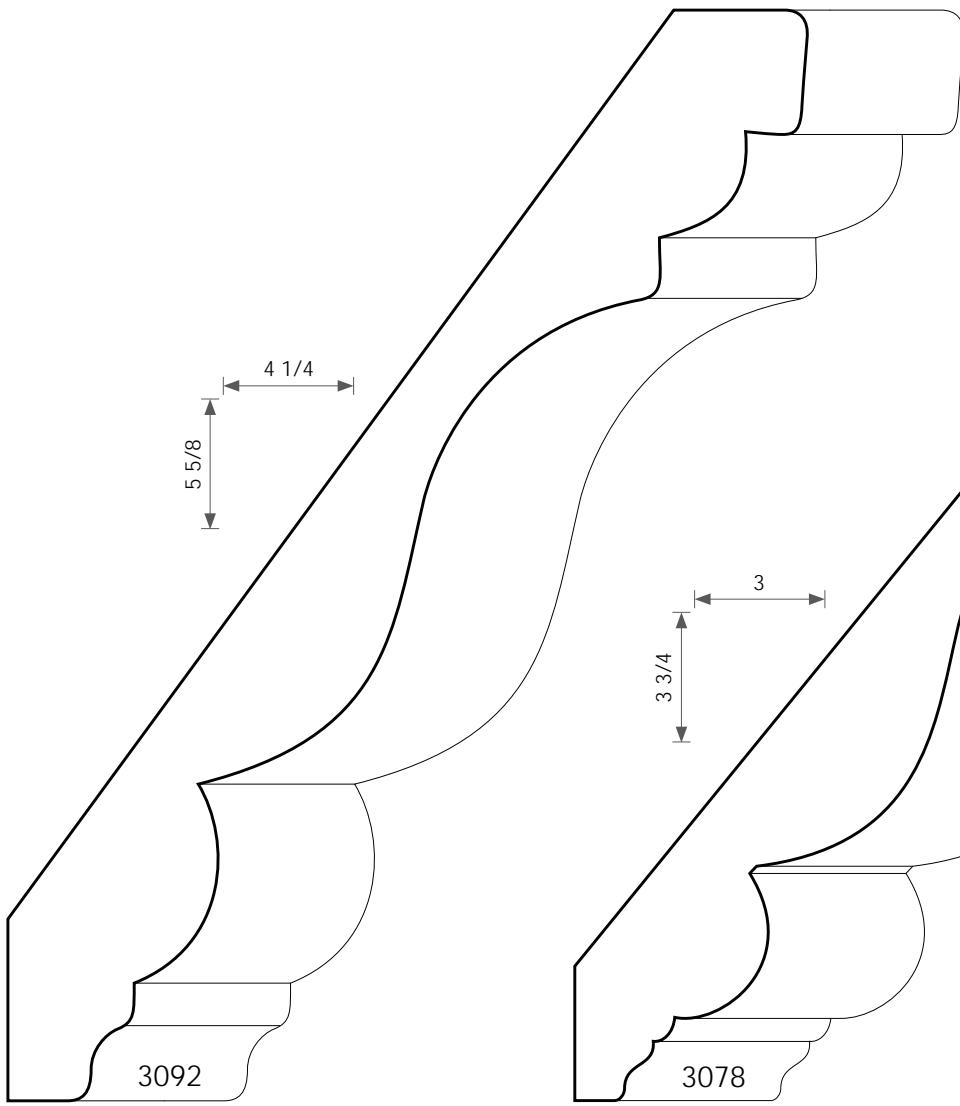


3/4T X 2-3/4W

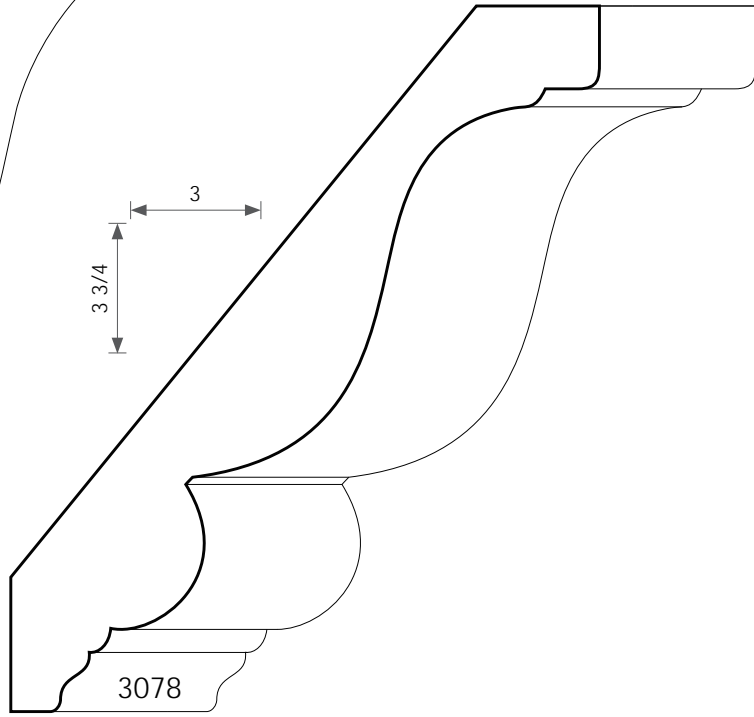


3/4T X 2-3/8W

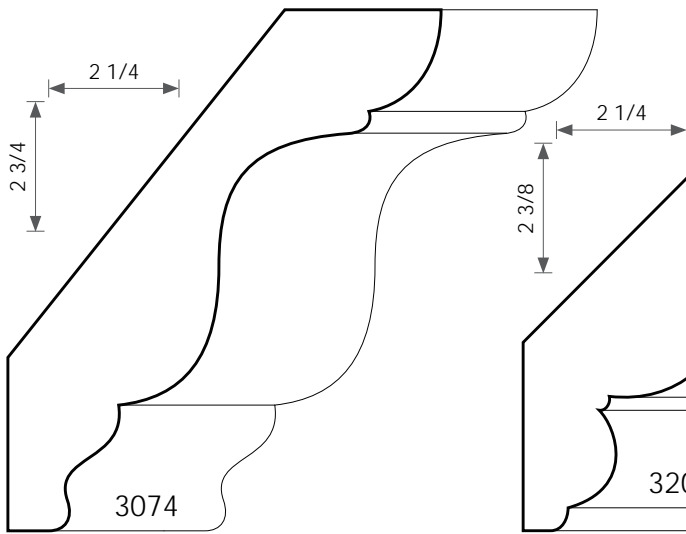
CROWN  
COMPOUND



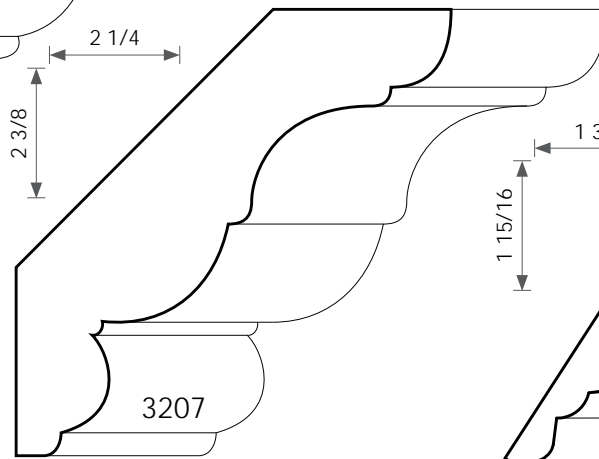
13/16T X 7W



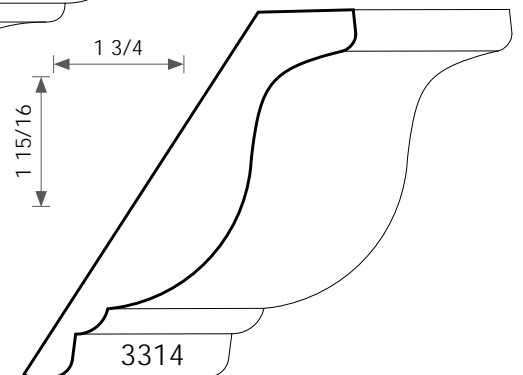
3/4T X 4-3/4W



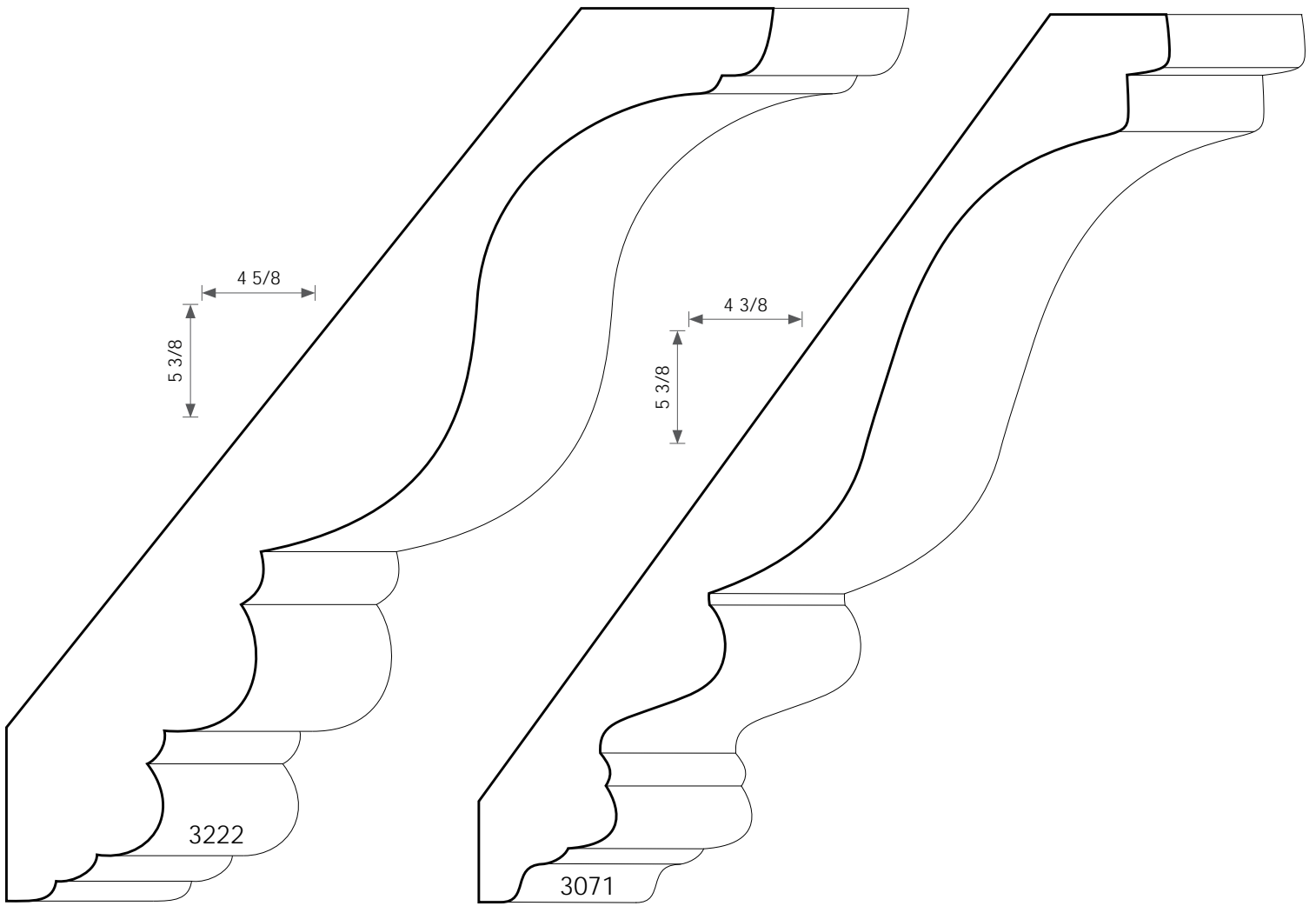
3/4T X 3-1/2W



7/8T X 3-1/4W



1/2T X 2-1/2W

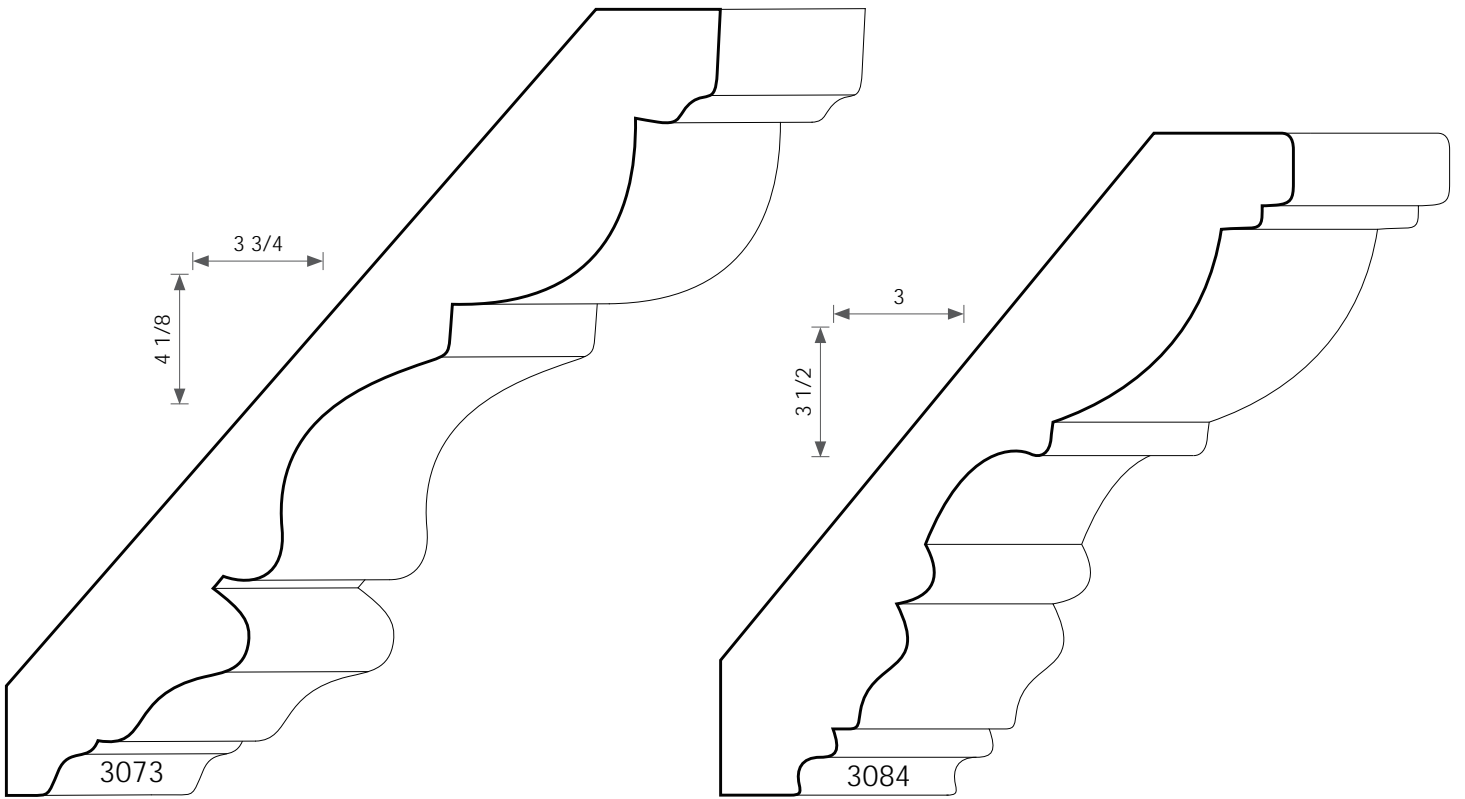


3222

3071

1-1/16T X 7W

3/4T X 6-3/4W



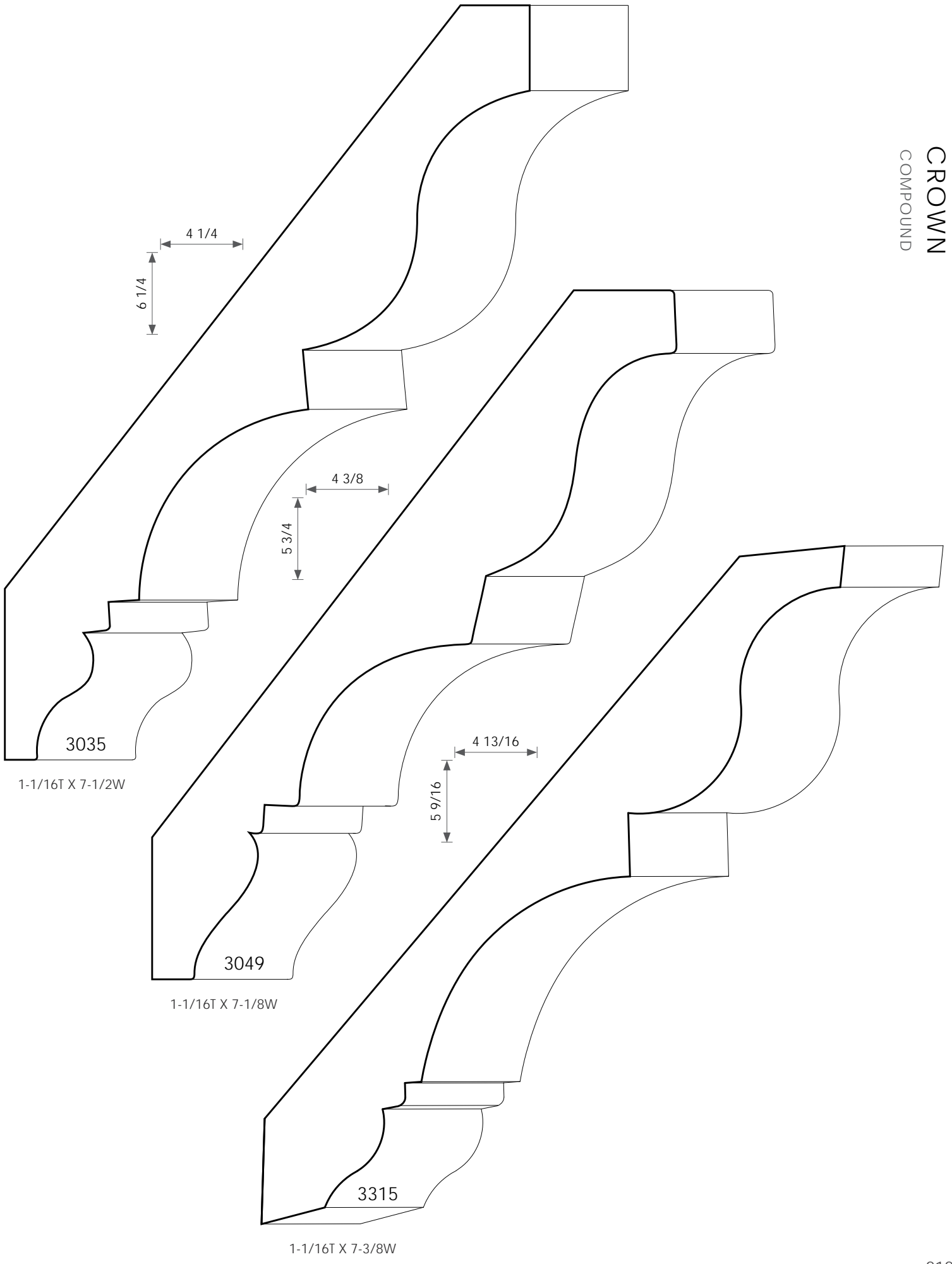
3073

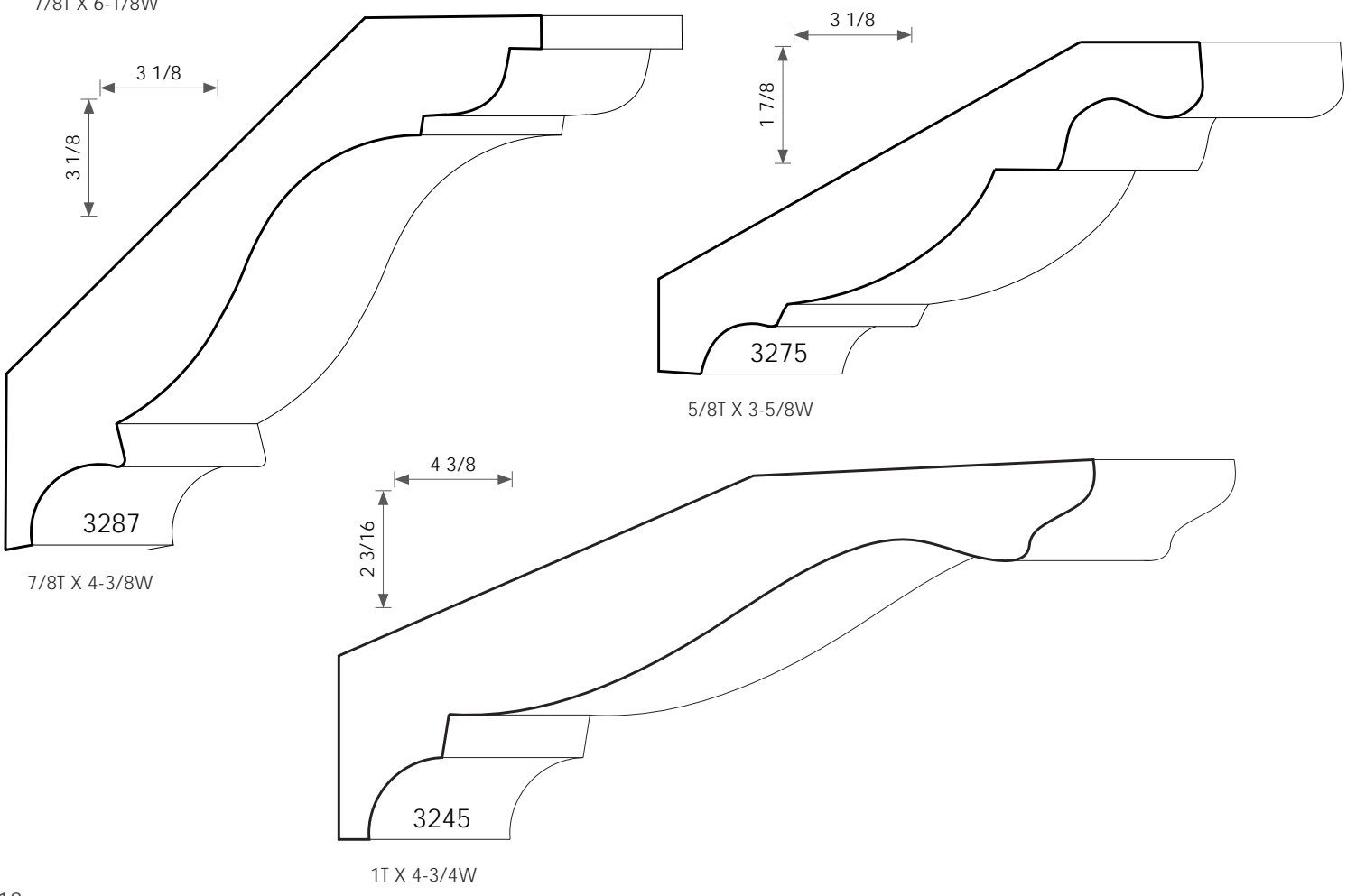
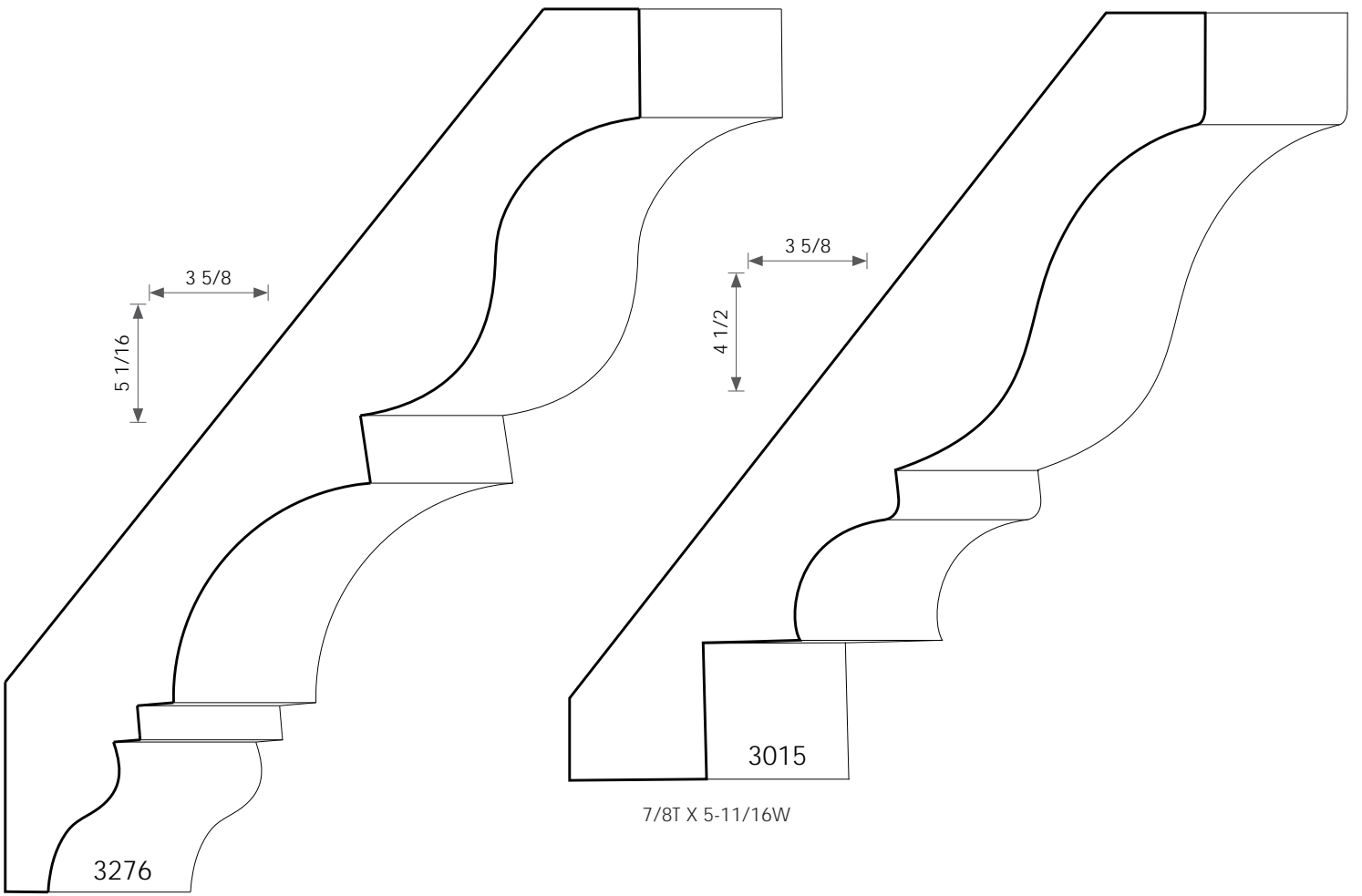
3084

7/8T X 5-1/2W

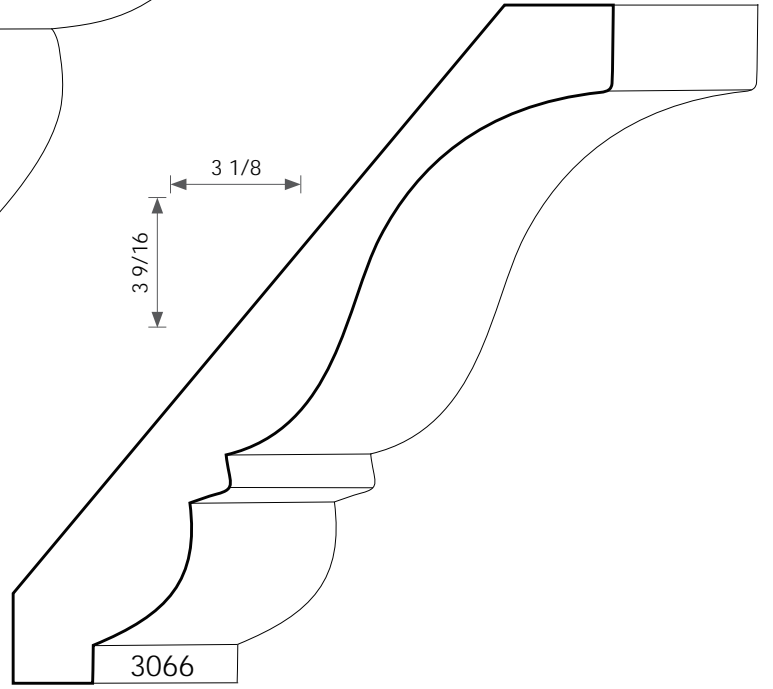
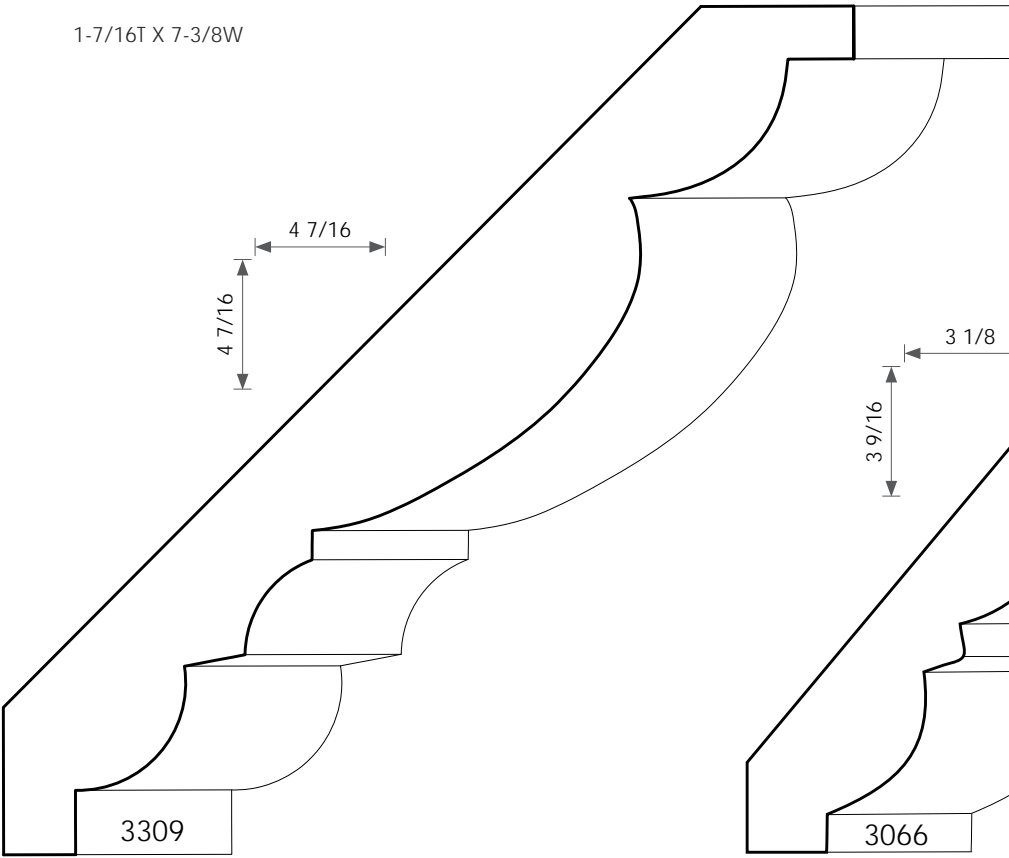
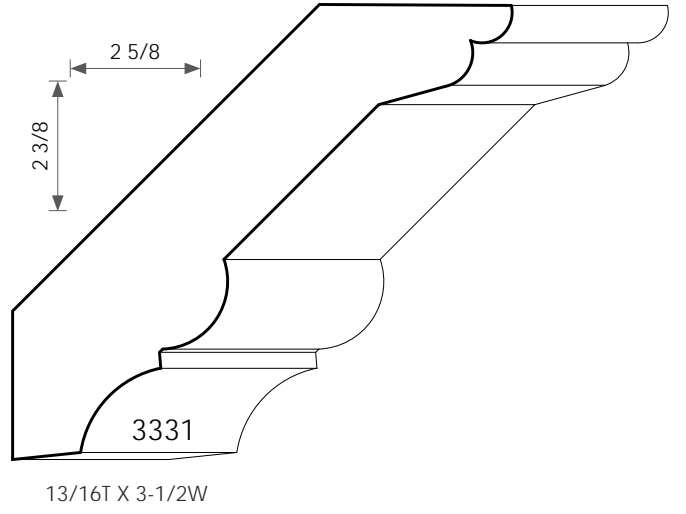
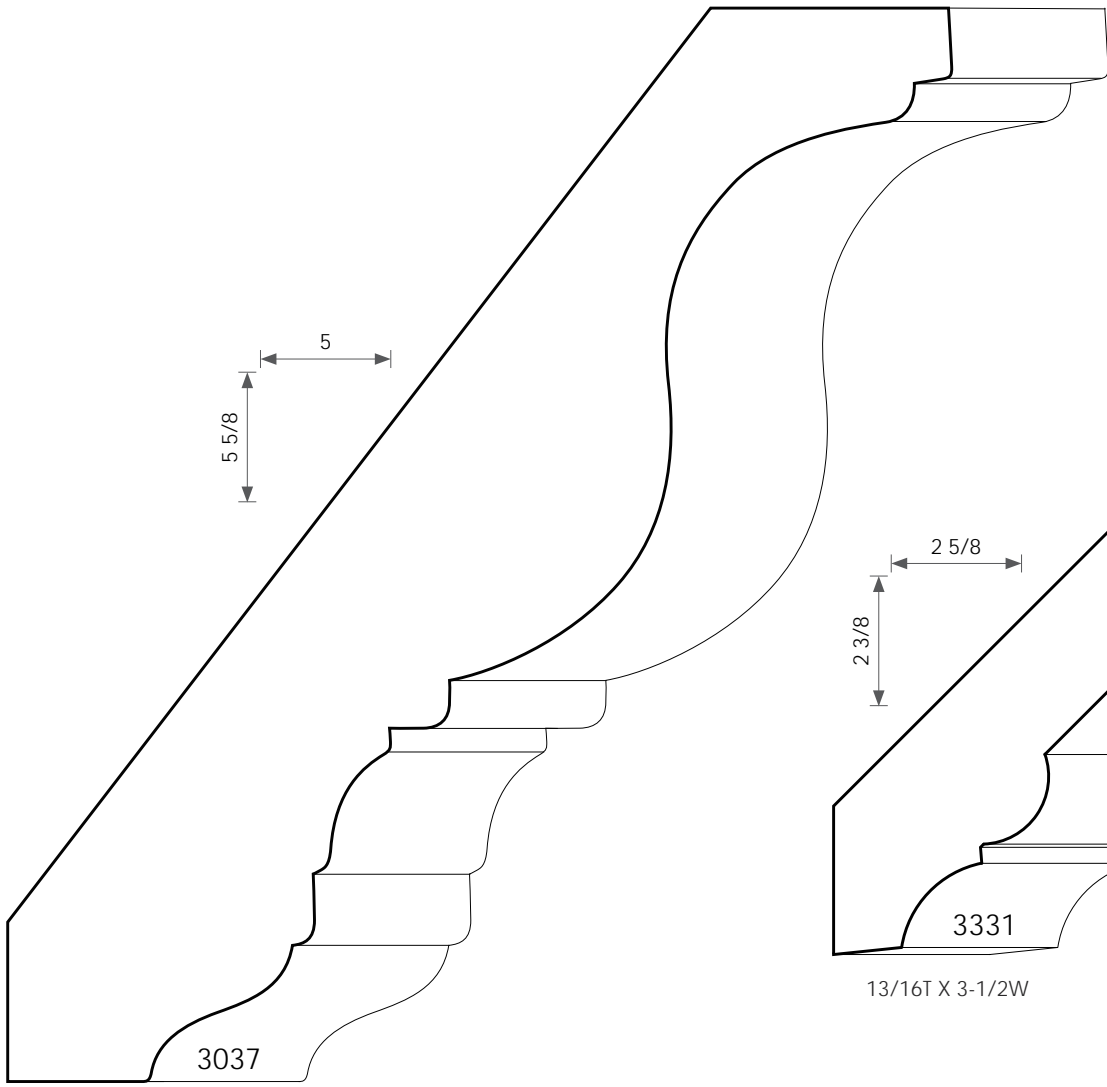
3/4T X 4-1/2W

CROWN  
COMPOUND

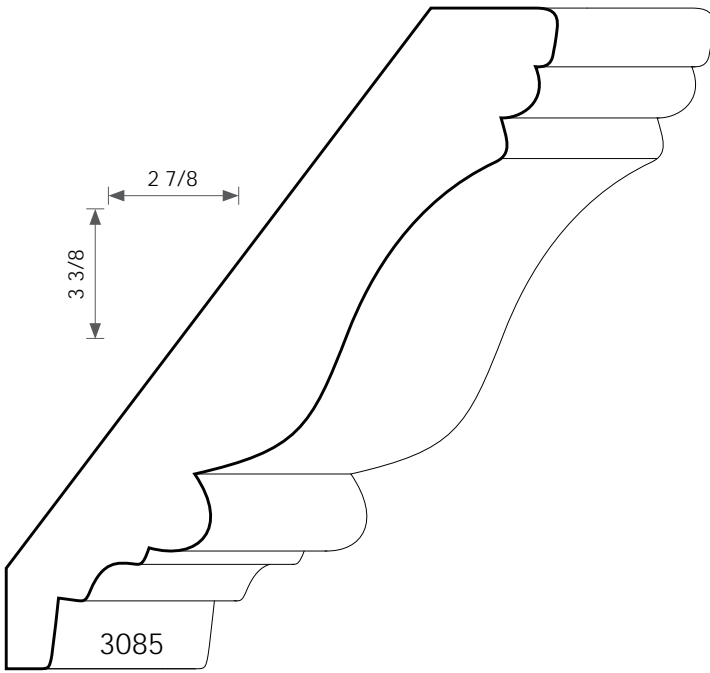




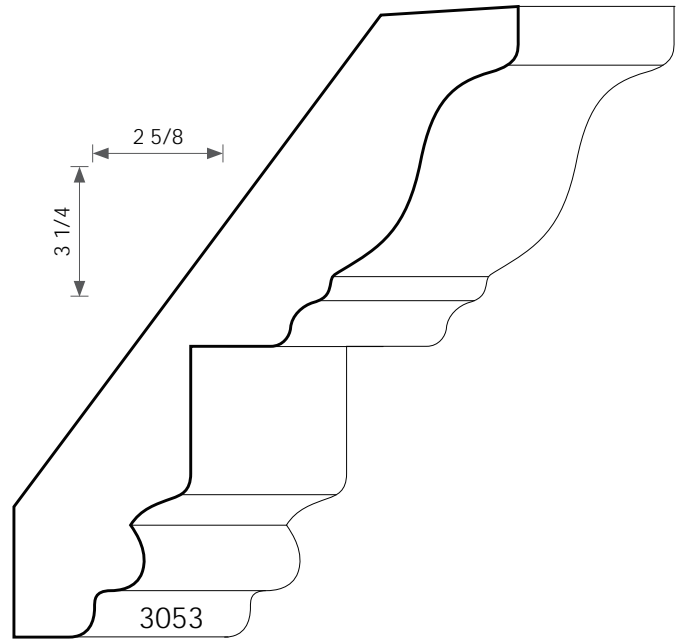
CROWN  
COMPOUND



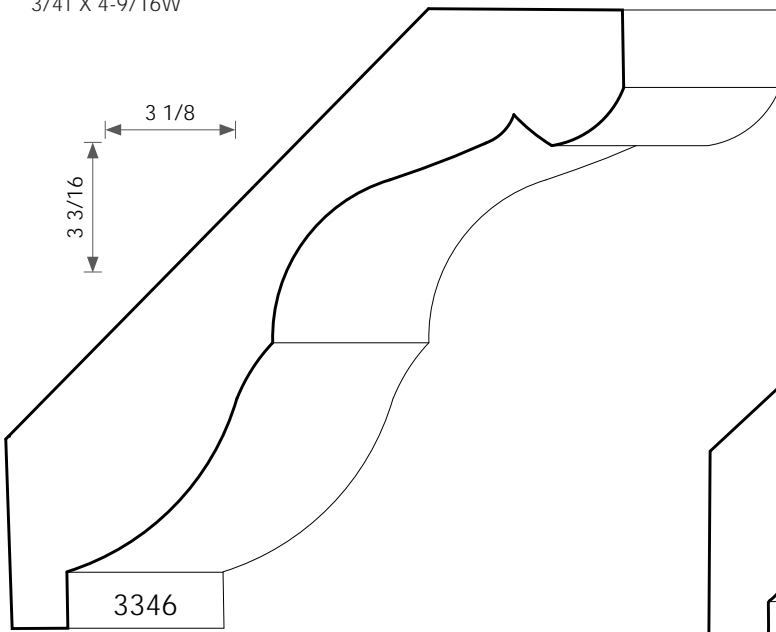




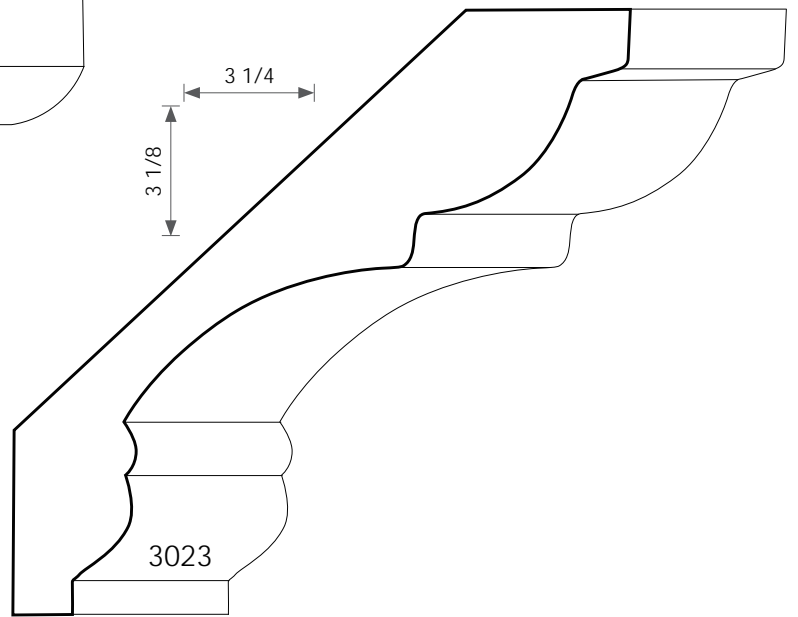
3/4T X 4-9/16W



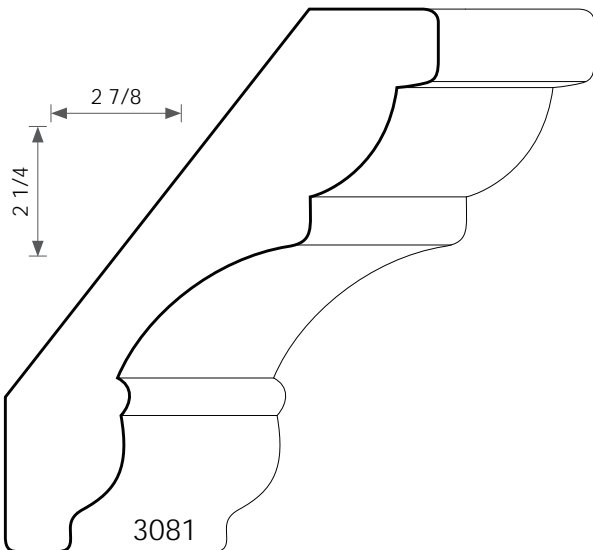
3/4T X 4-1/8W



1T X 4-1/2W



13/16T X 4-1/2W

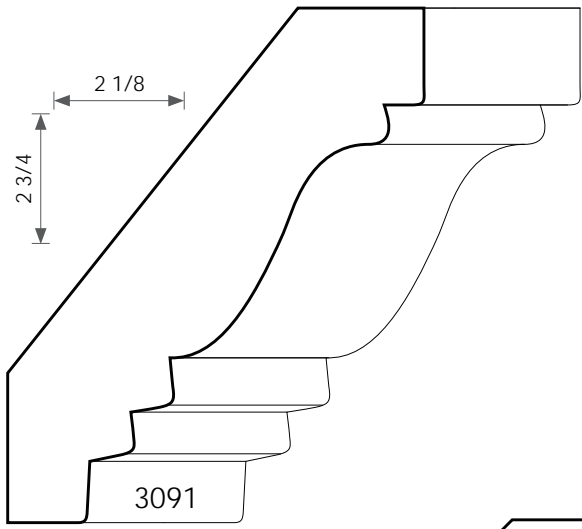


3/4T X 3-5/8W



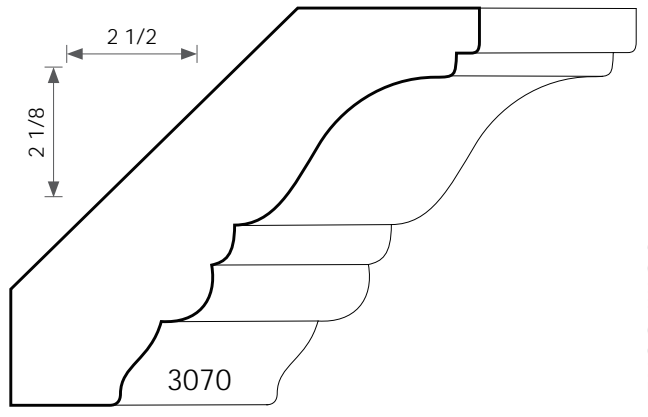
3/4T X 3-7/8W

CROWN  
COMPOUND



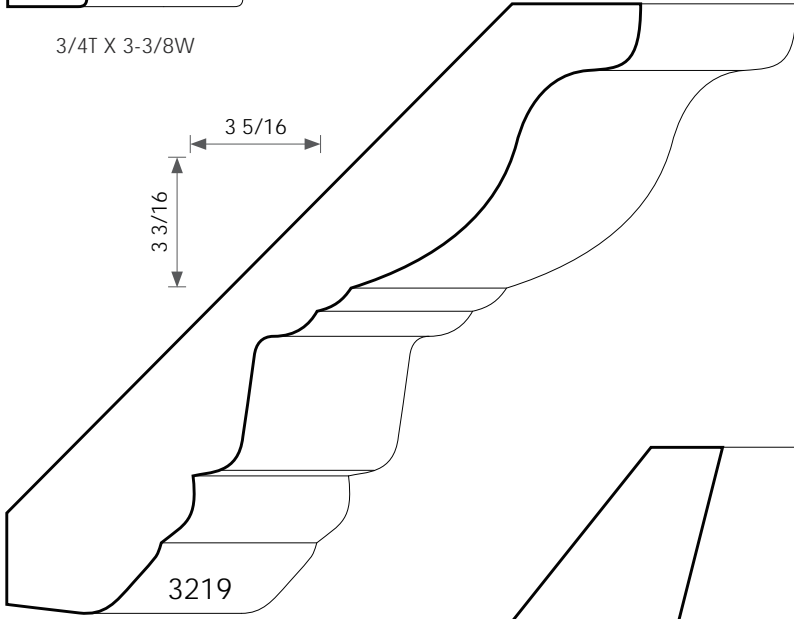
3/4T X 3-3/8W

3091



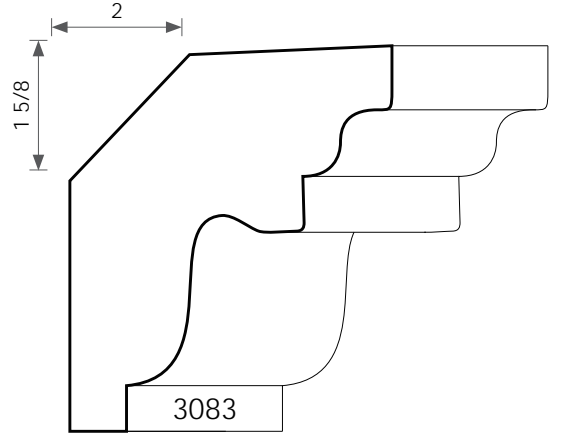
13/16T X 3-1/4W

3070



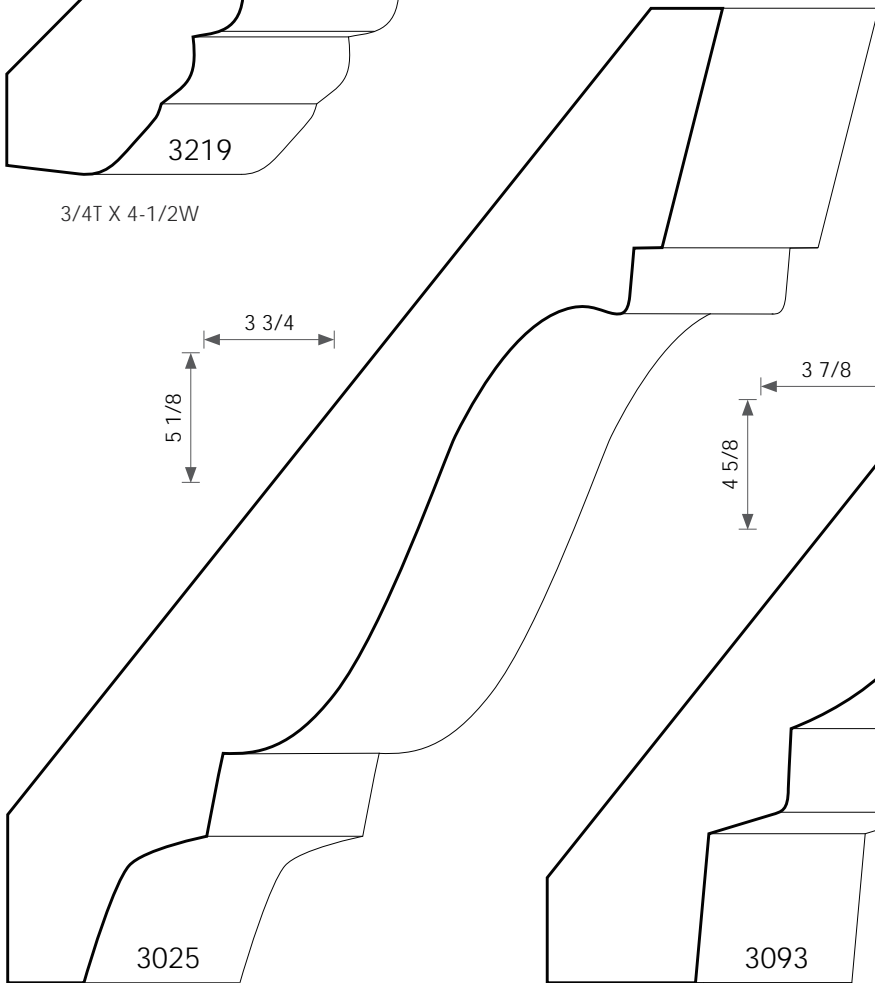
3/4T X 4-1/2W

3219



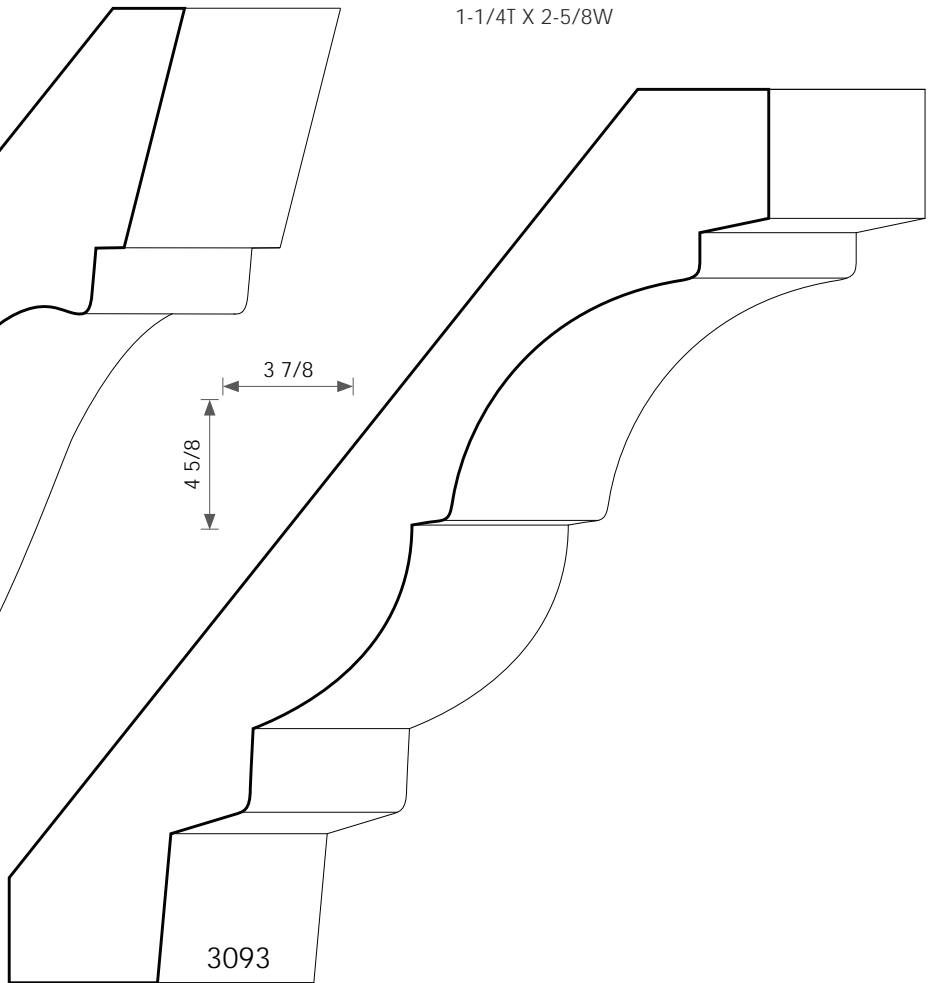
1-1/4T X 2-5/8W

3083



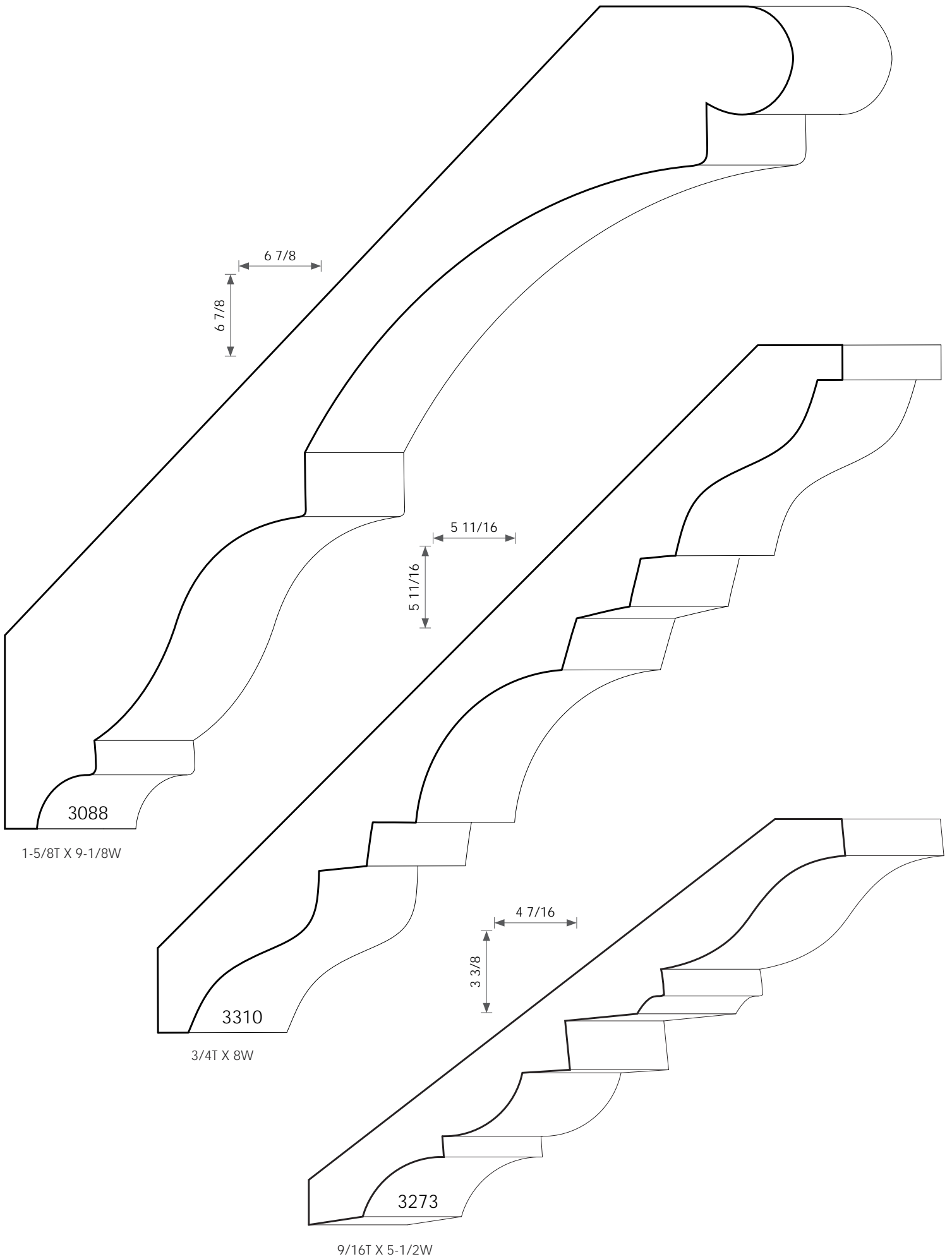
15/16T X 6-1/4W

3025

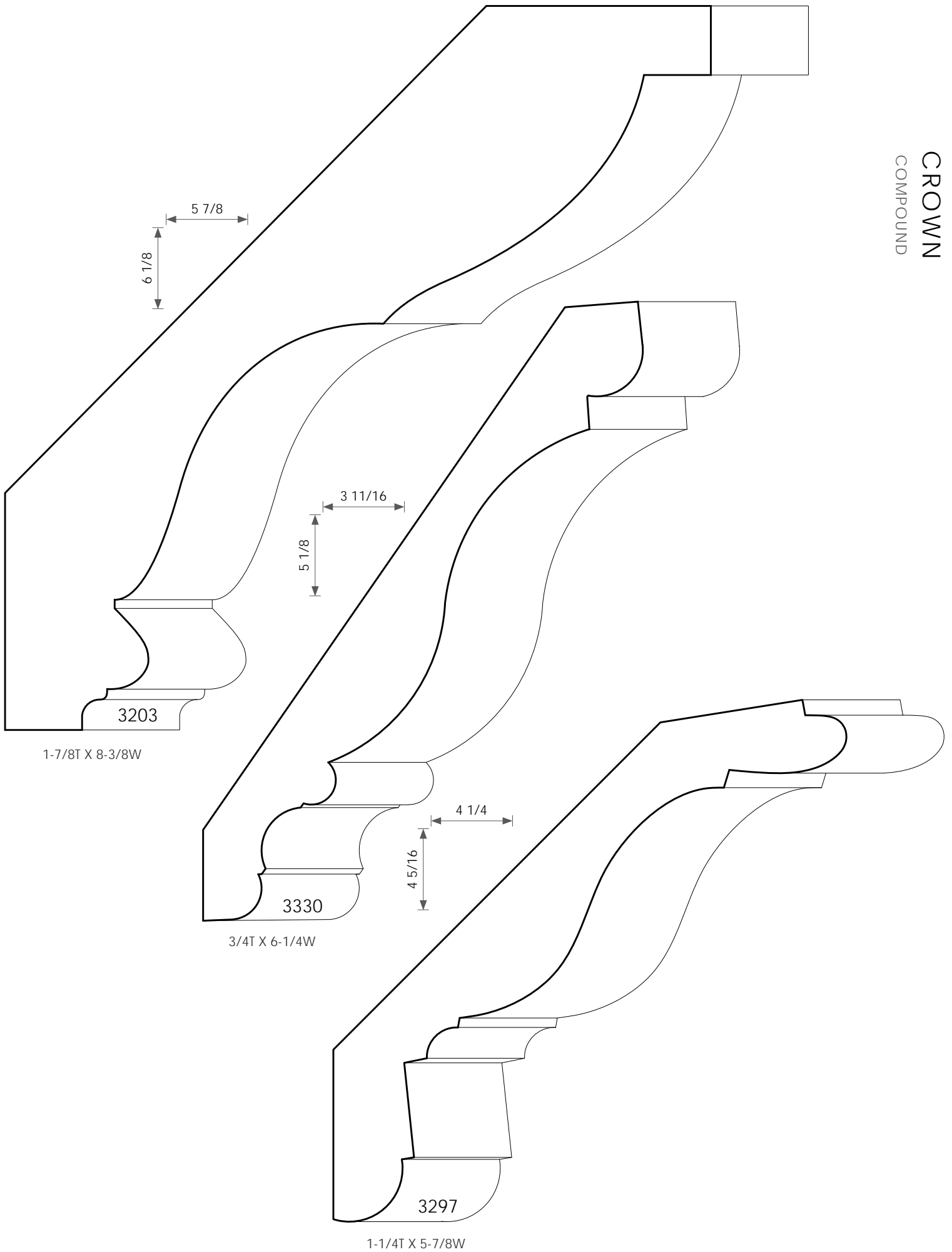


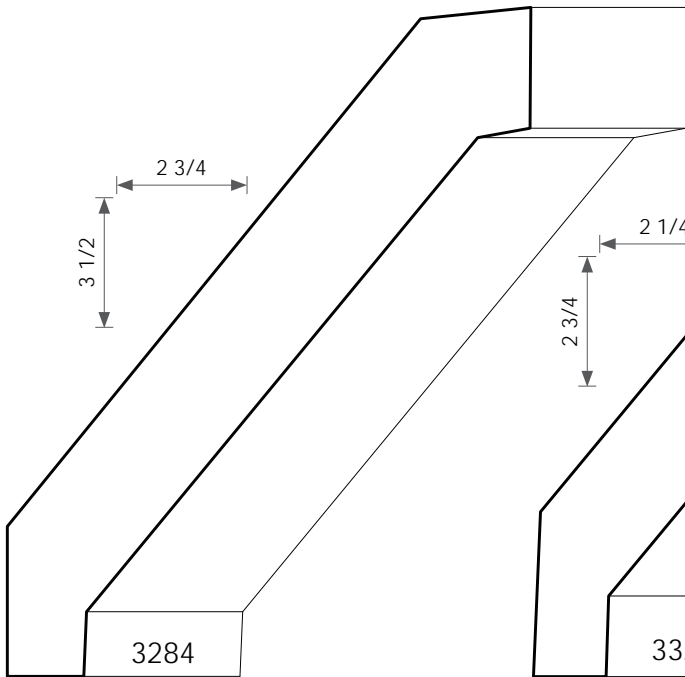
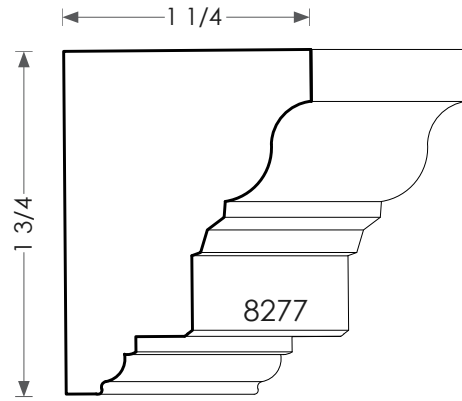
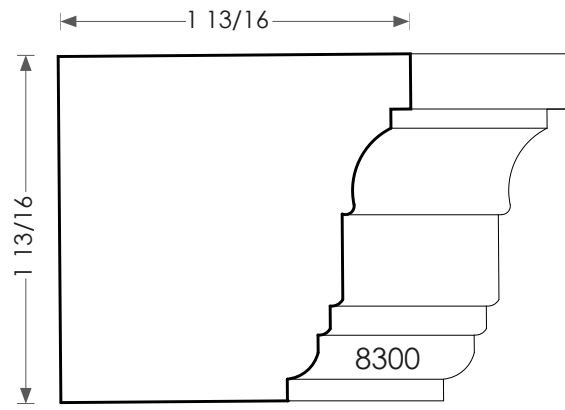
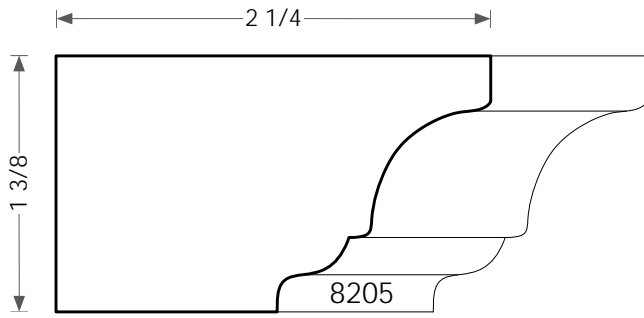
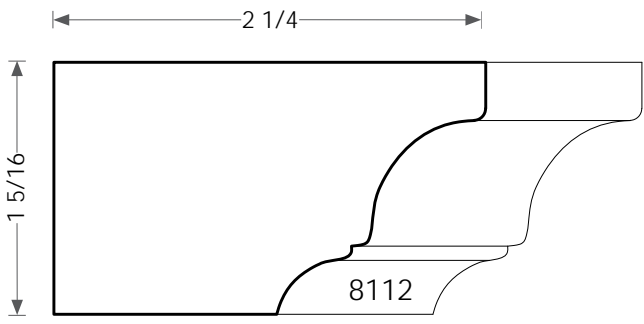
7/8T X 6W

3093

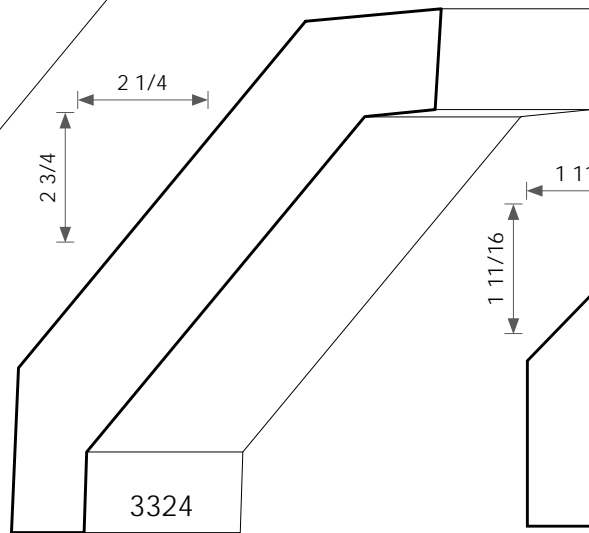


CROWN  
COMPOUND

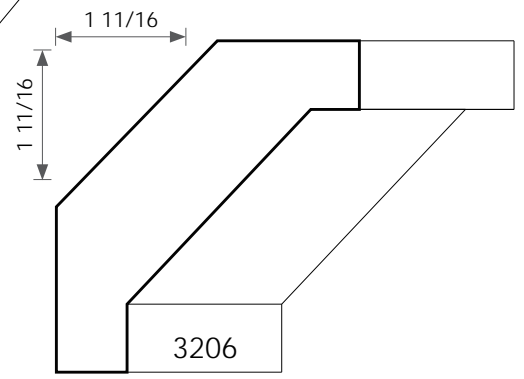




13/16T X 4-3/8W

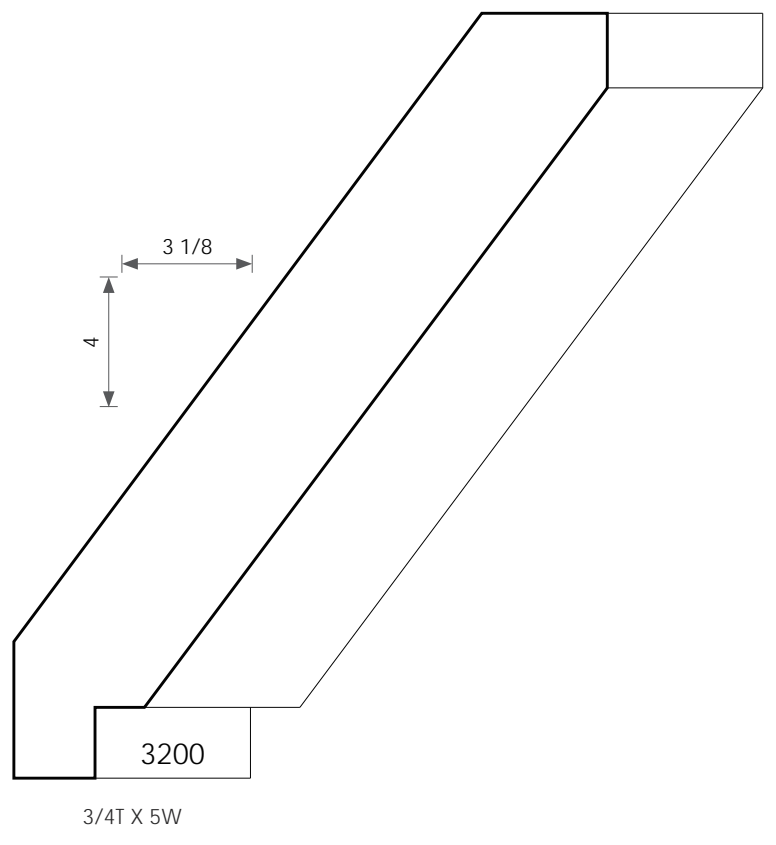
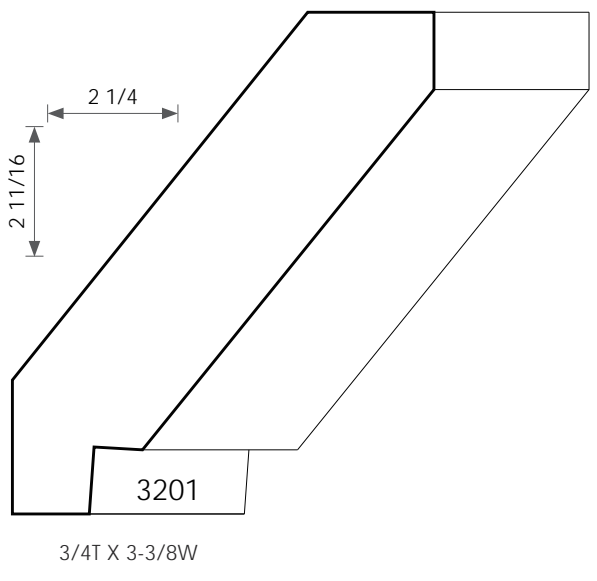
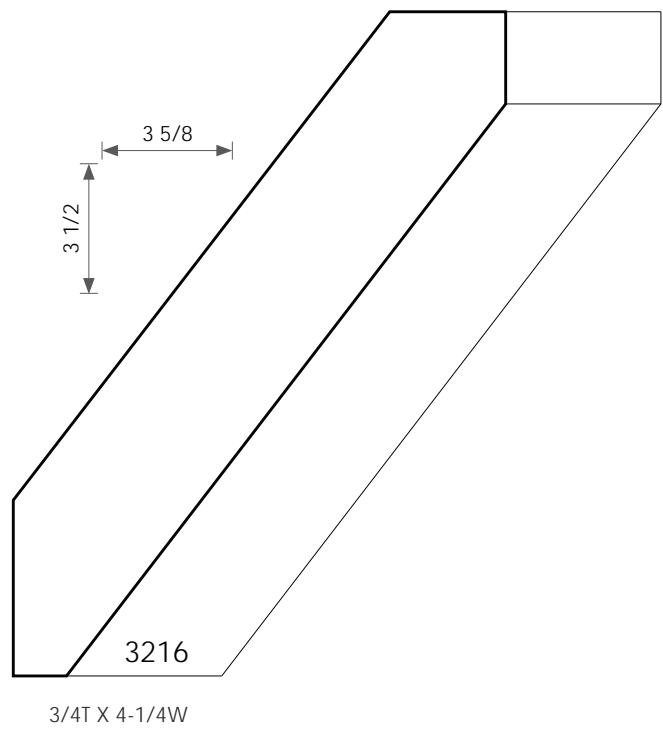
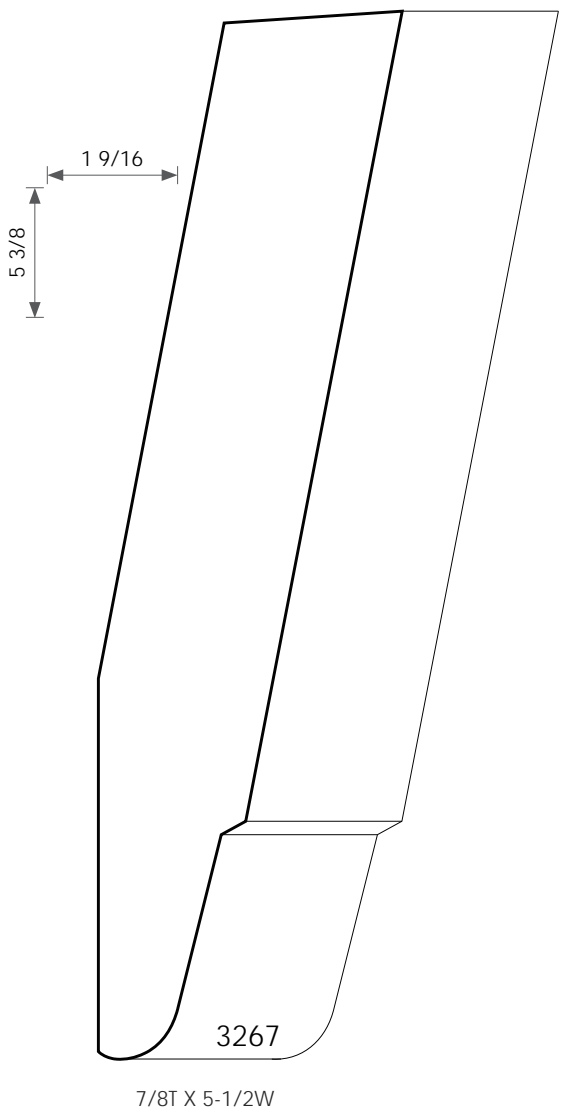


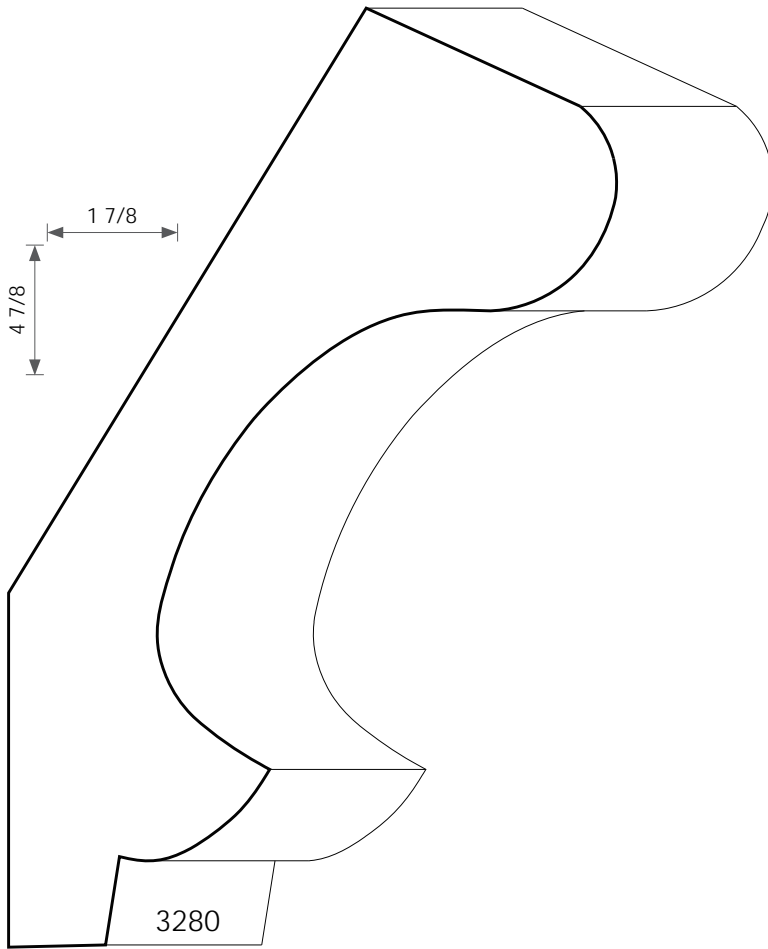
13/16T X 3-1/2W



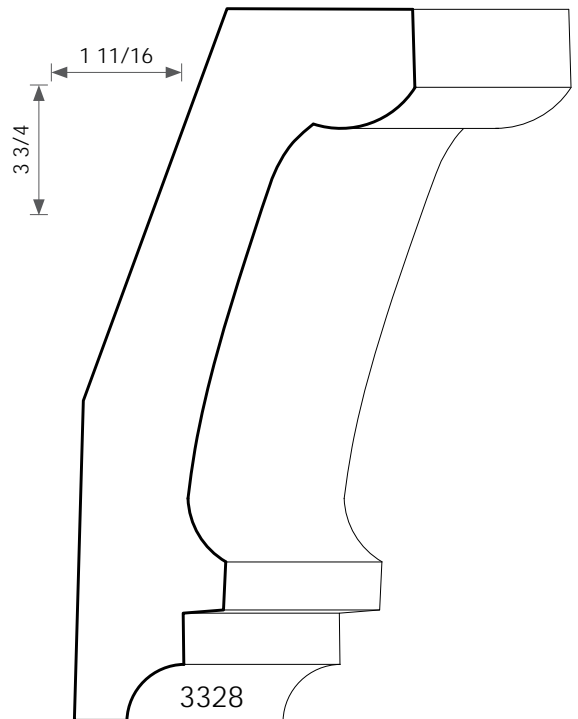
7/8T X 2-3/8W

CROWN  
INCLINED

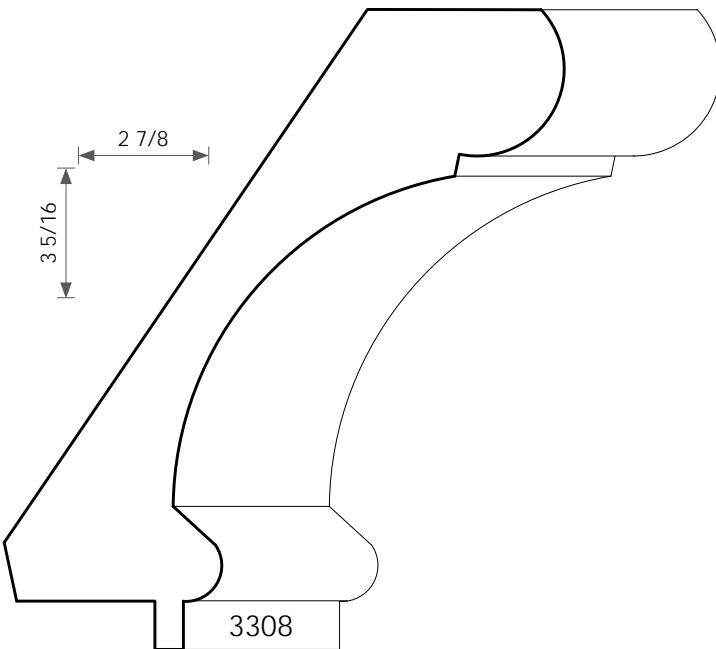




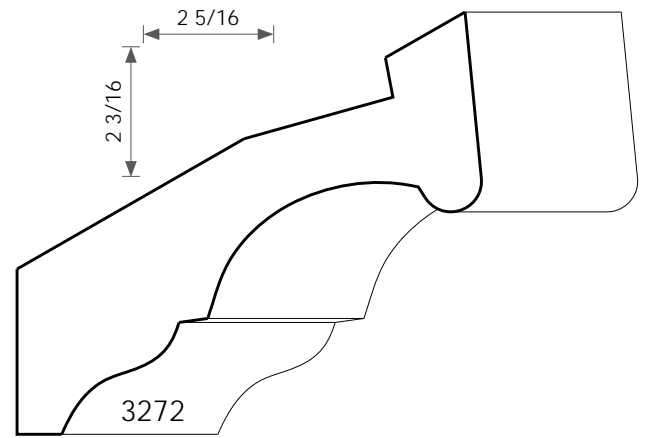
1-5/8T X 5-1/4W



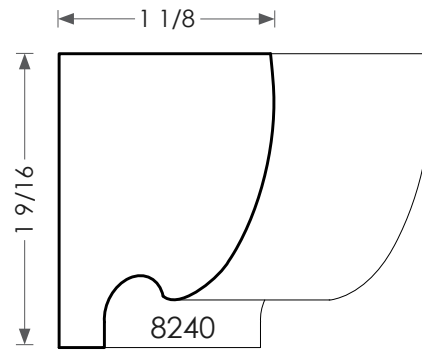
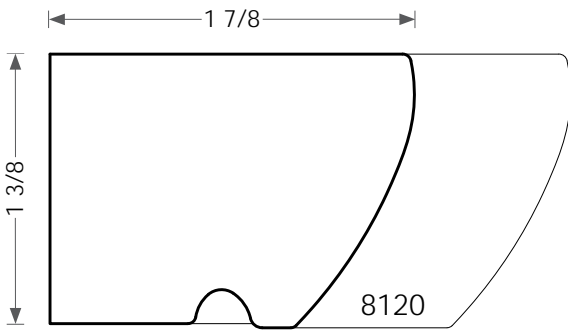
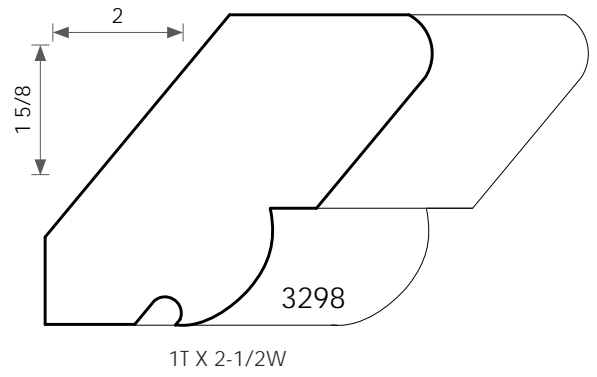
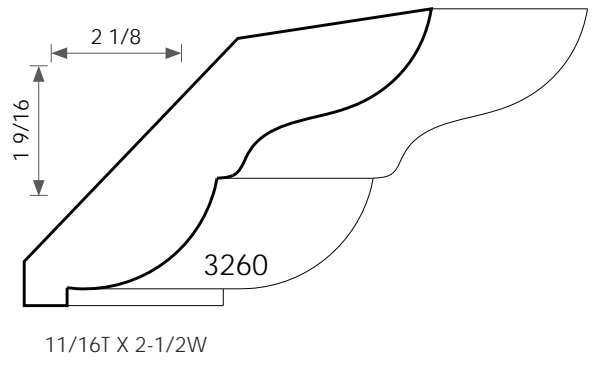
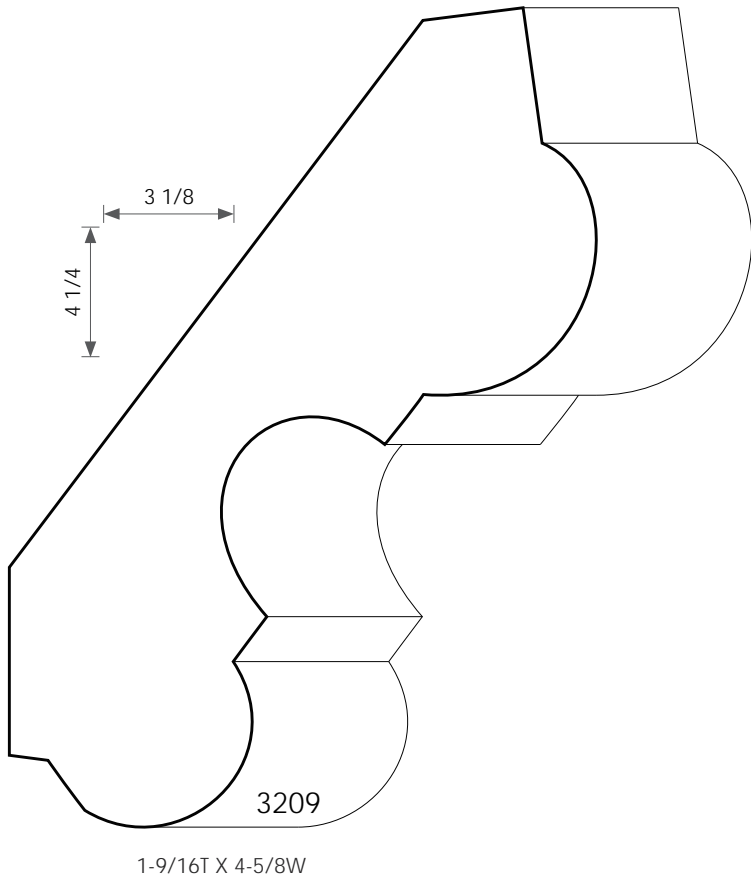
1-1/16T X 4-1/16W



1-1/16T X 4-1/8W

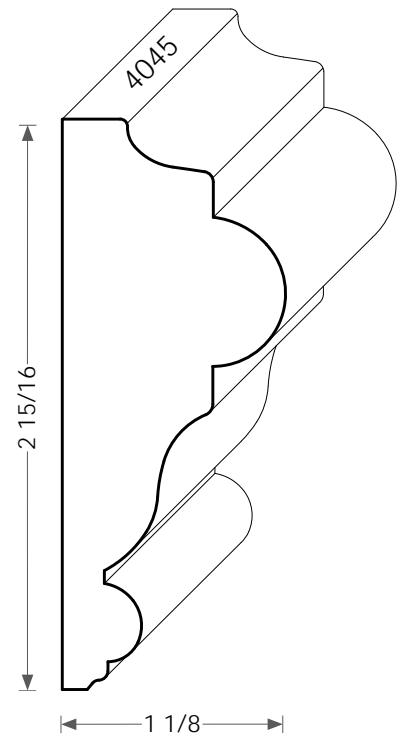
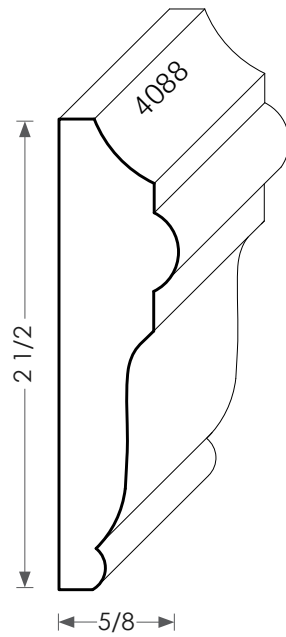
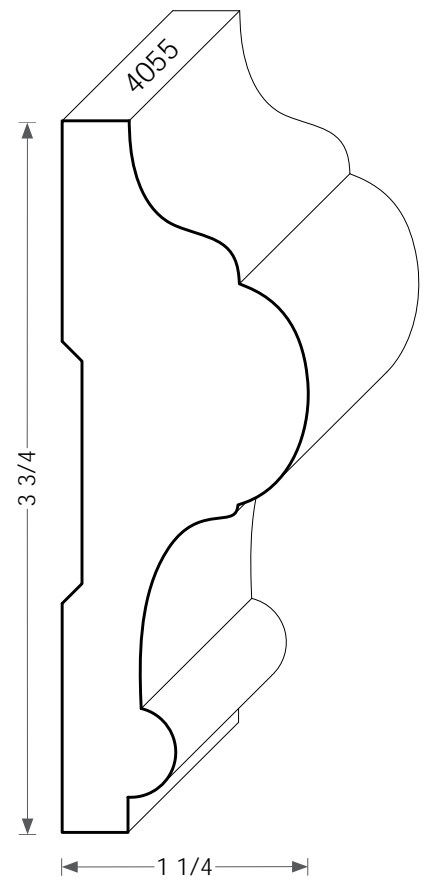
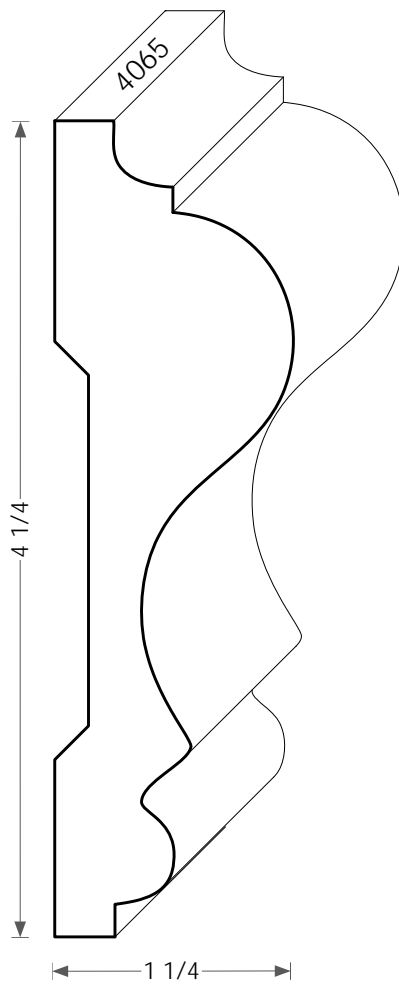


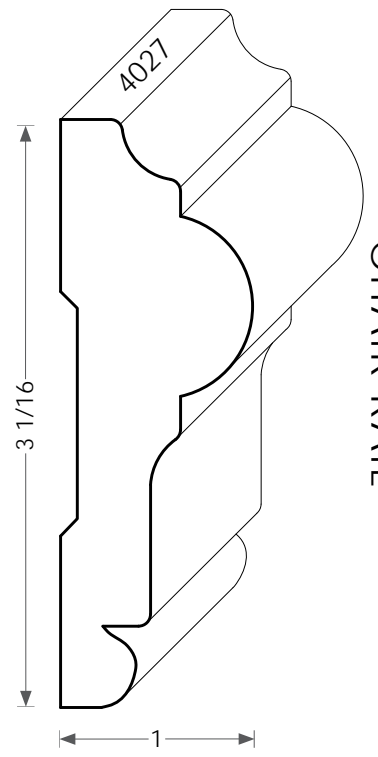
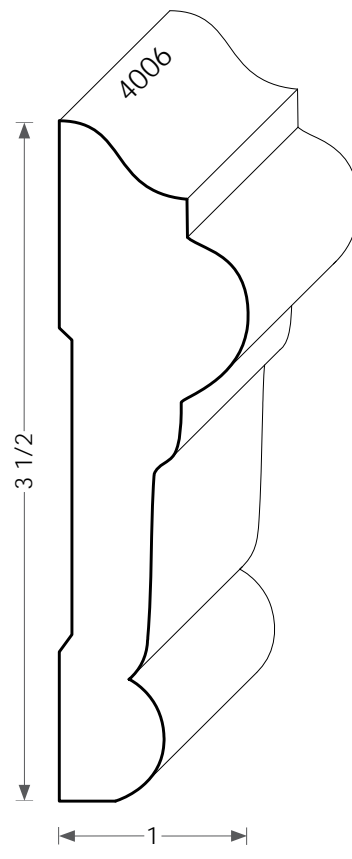
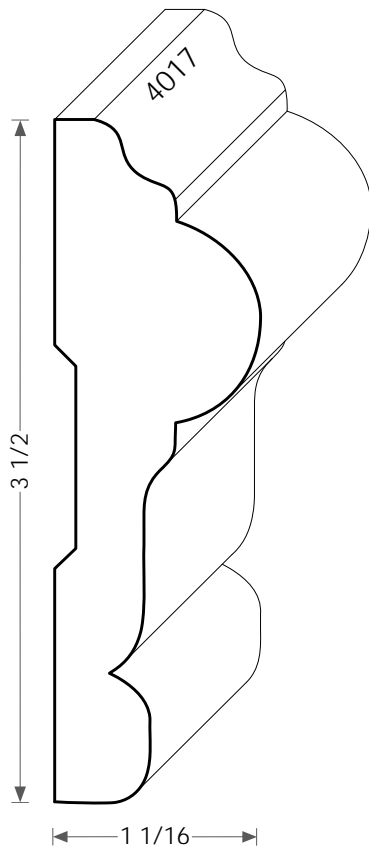
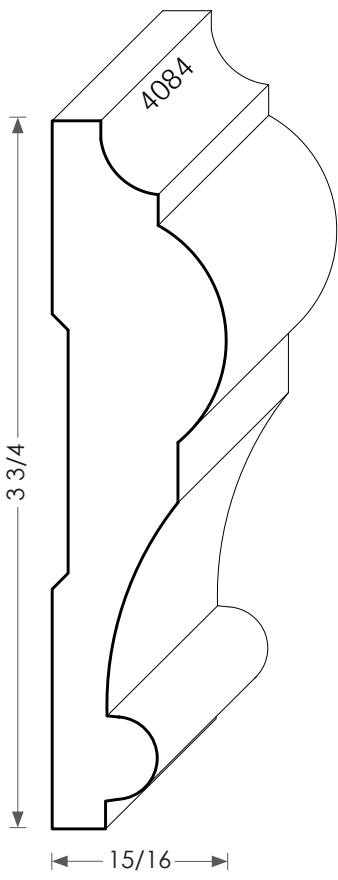
7/8T X 3-1/8W



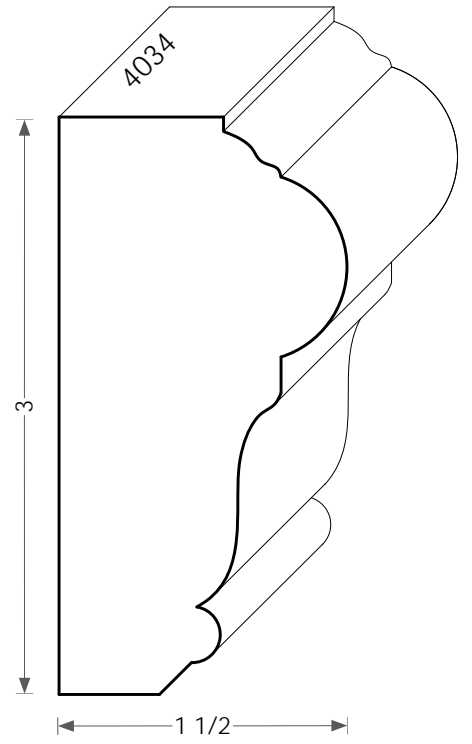
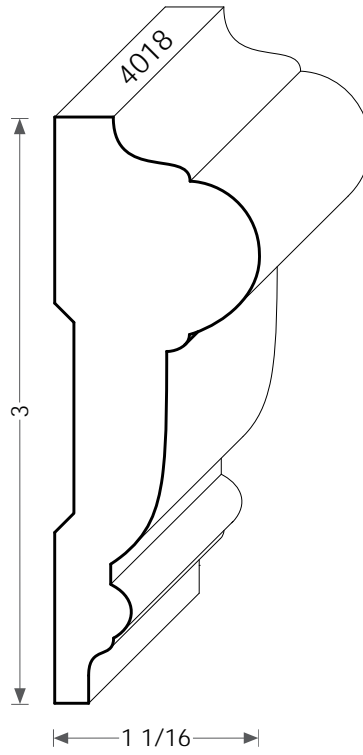
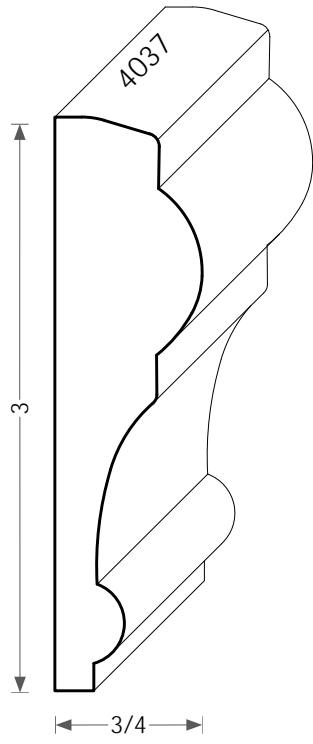
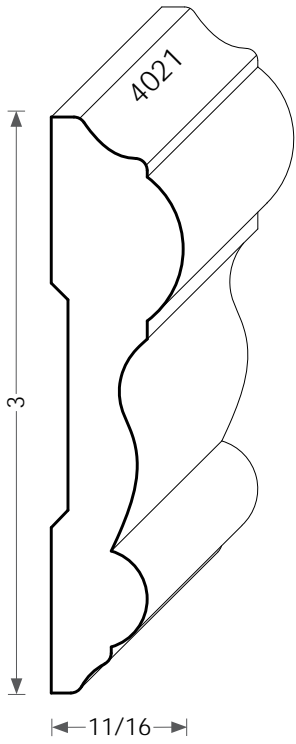
CROWN

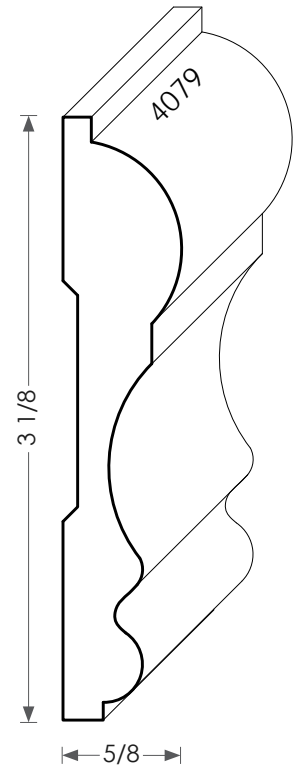
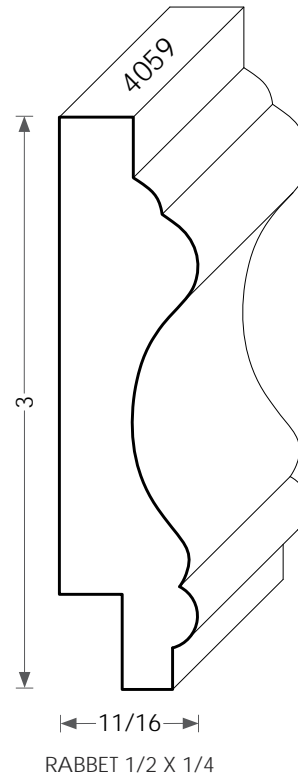
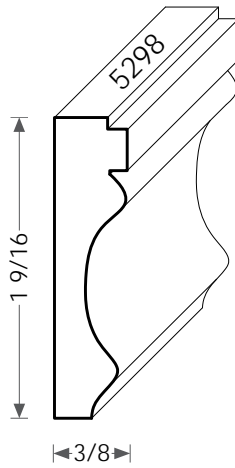
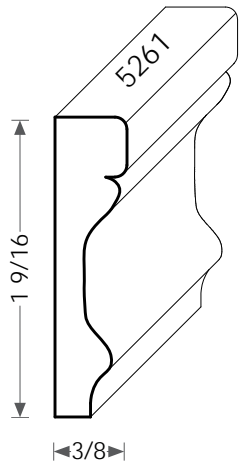
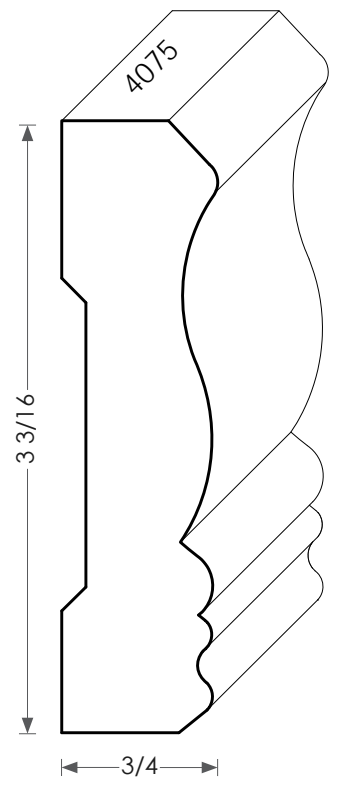
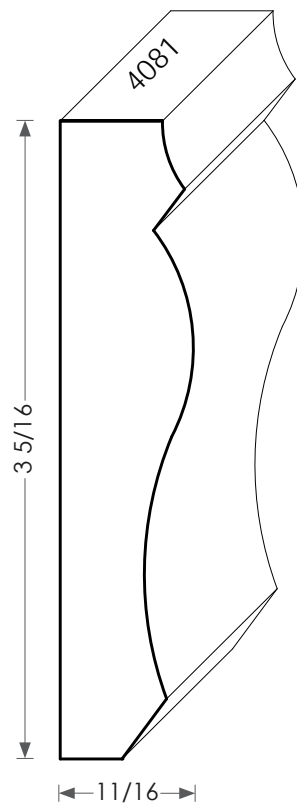
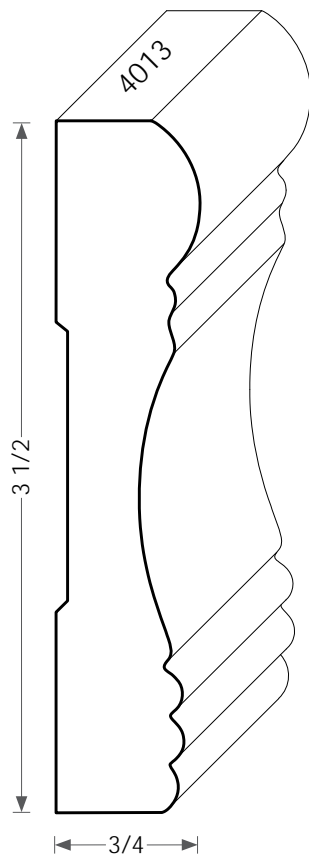
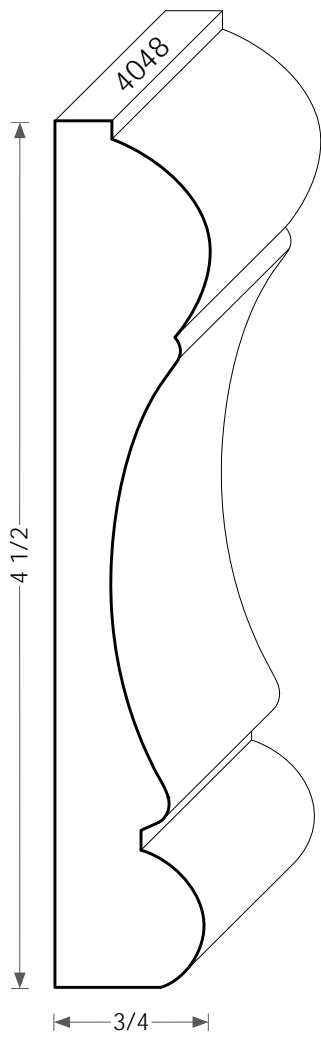




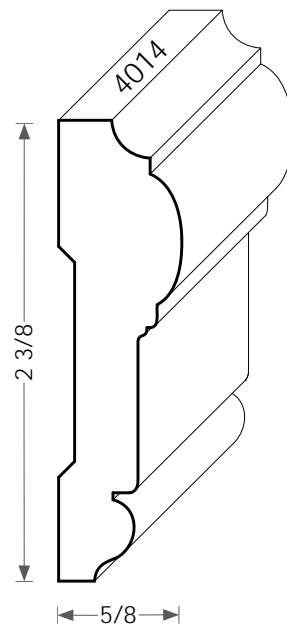
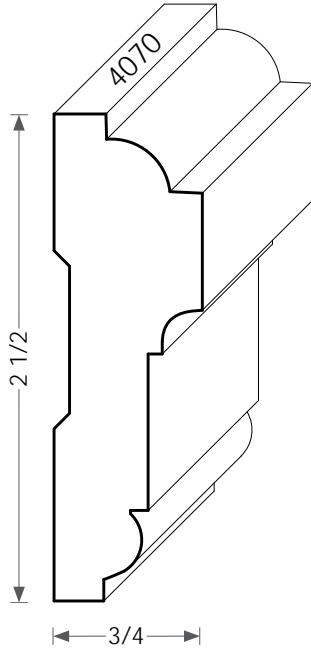
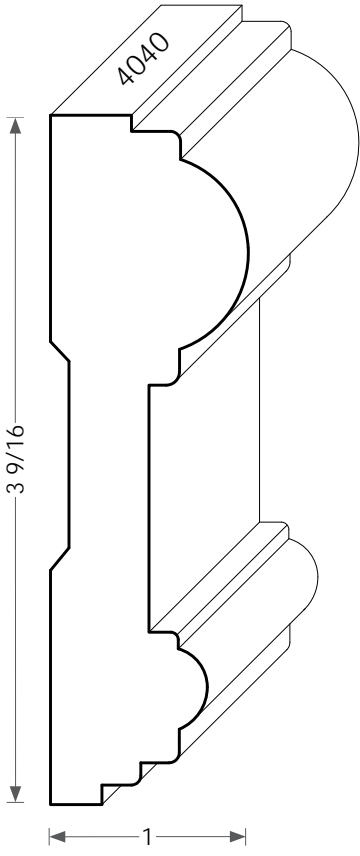
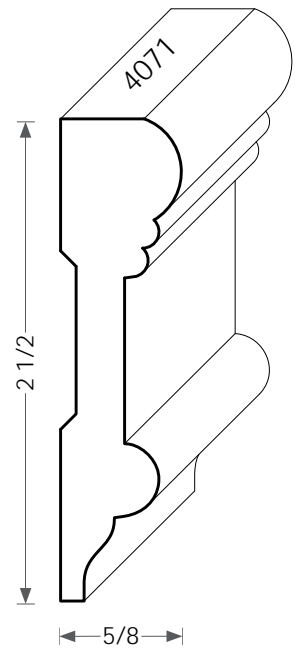
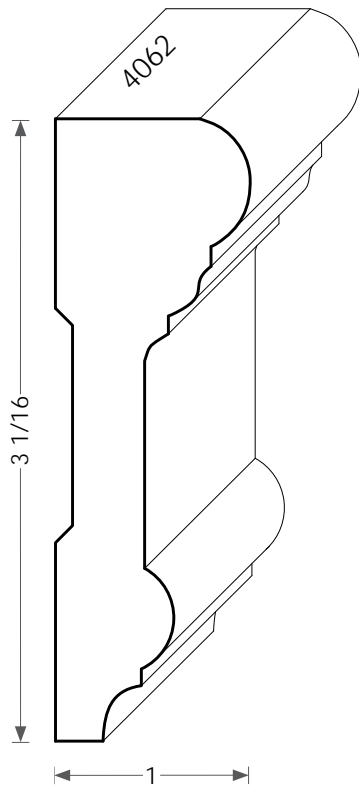
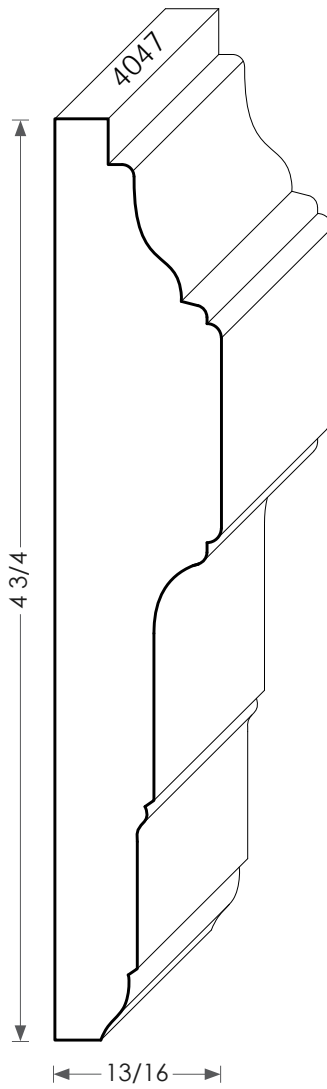
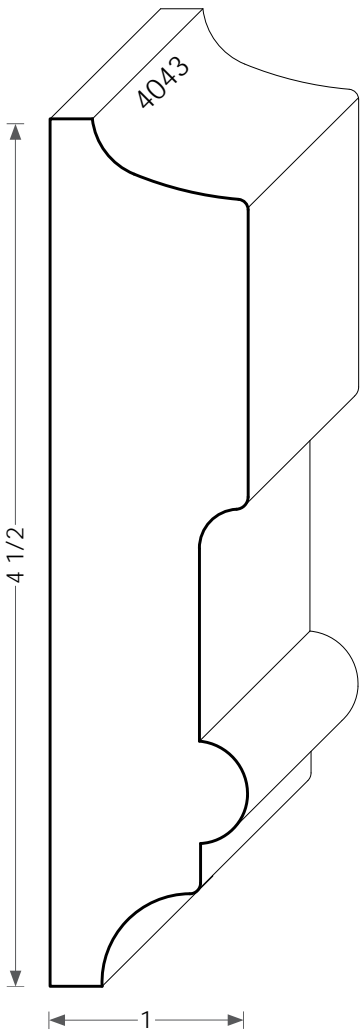


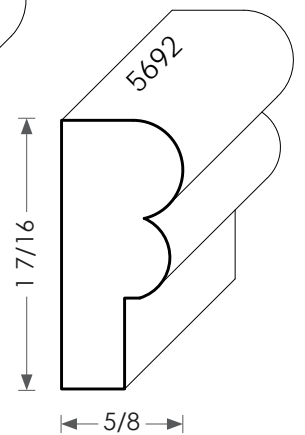
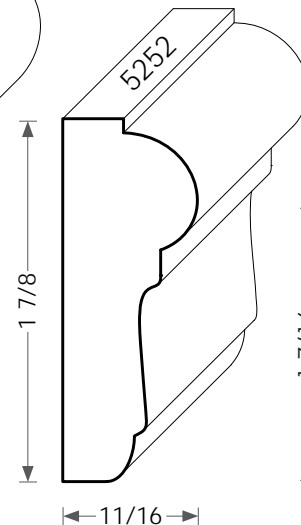
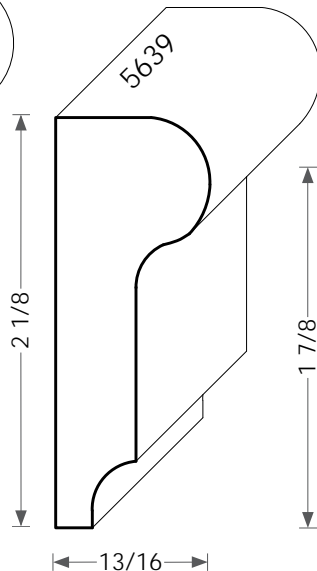
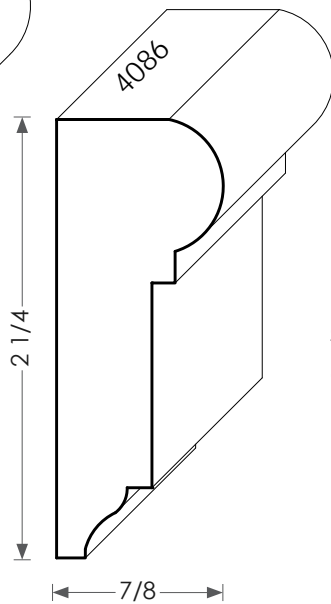
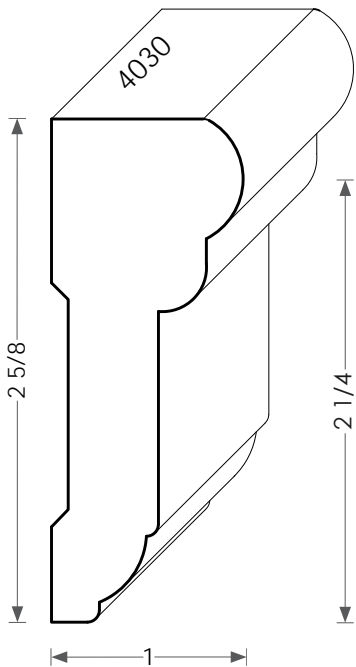
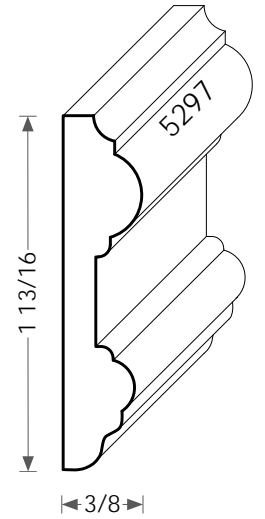
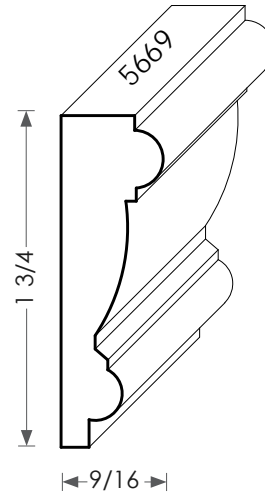
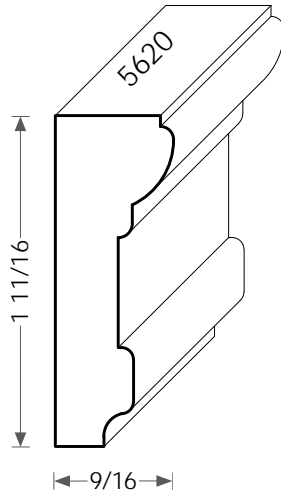
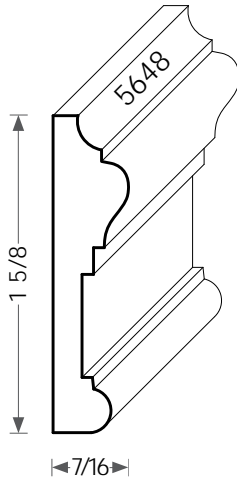
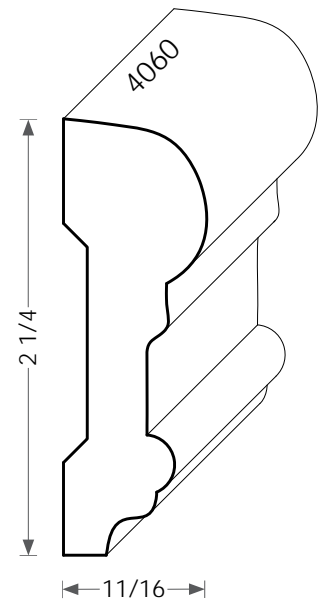
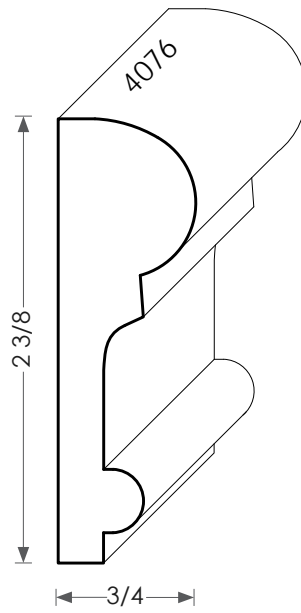
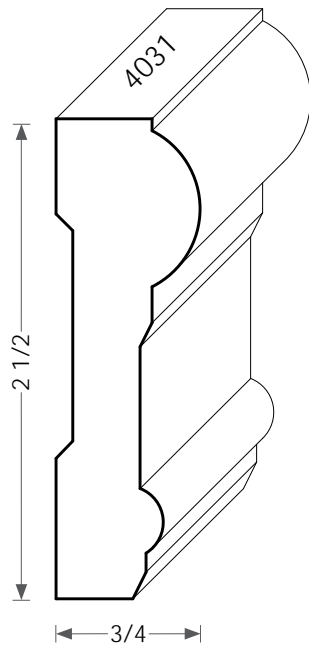
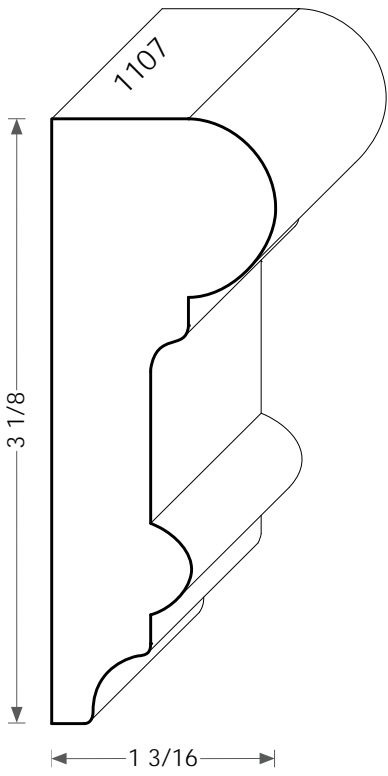
CHAIR RAIL



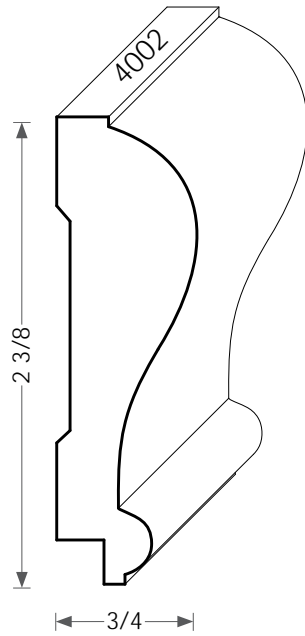
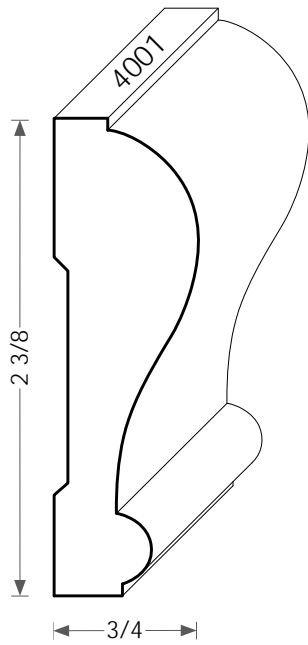
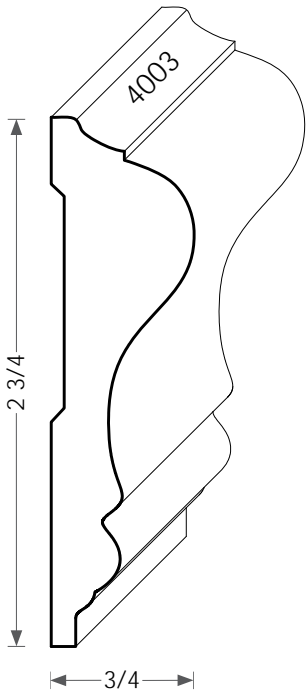
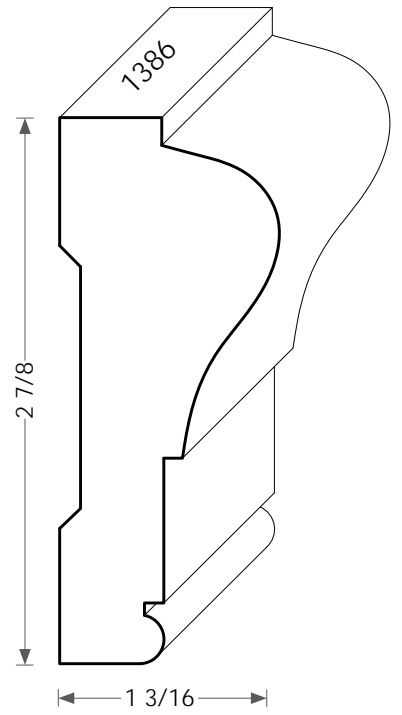
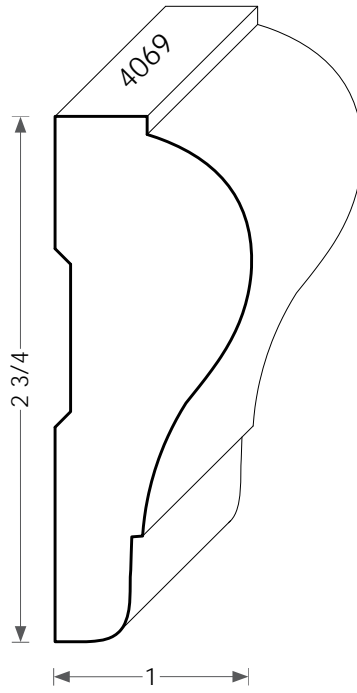
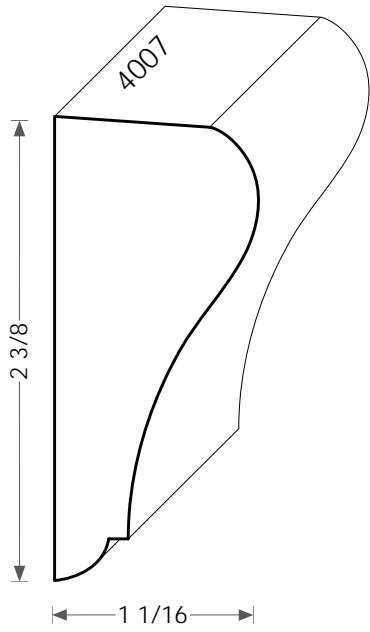
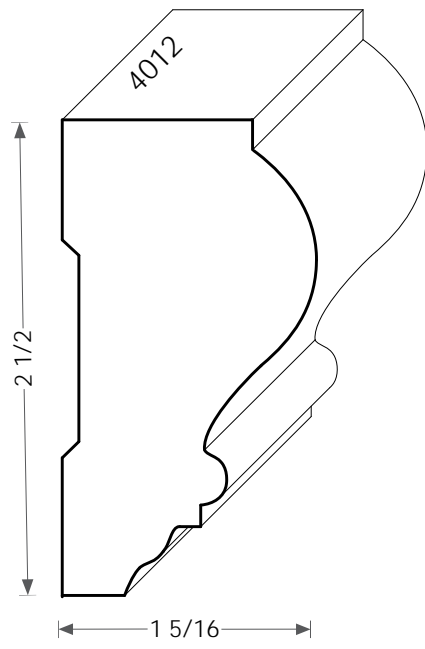
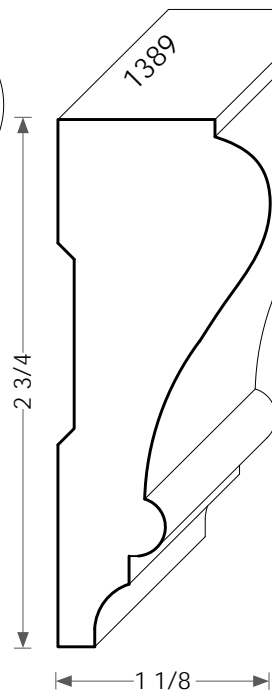
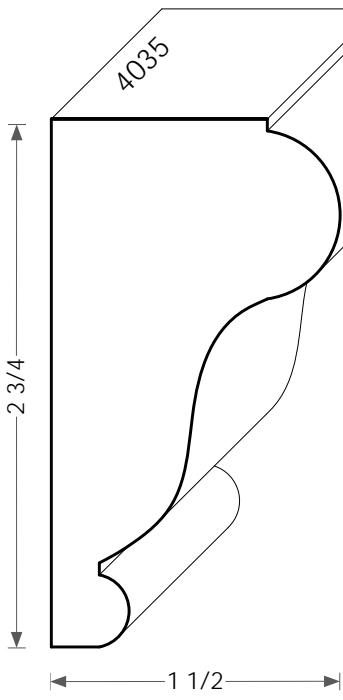


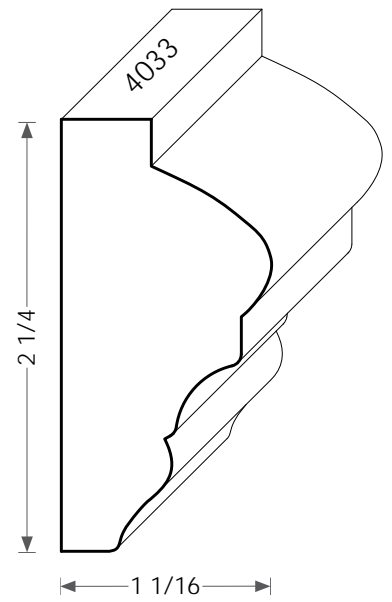
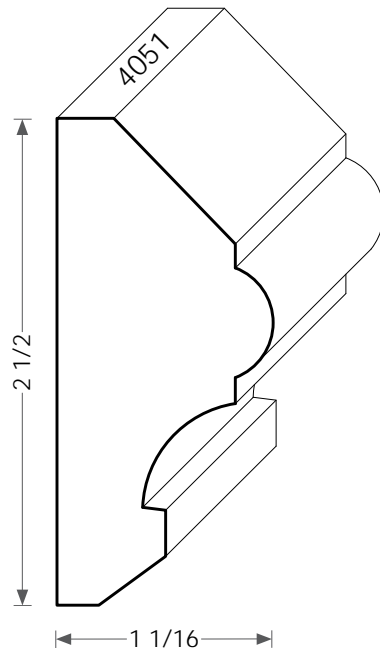
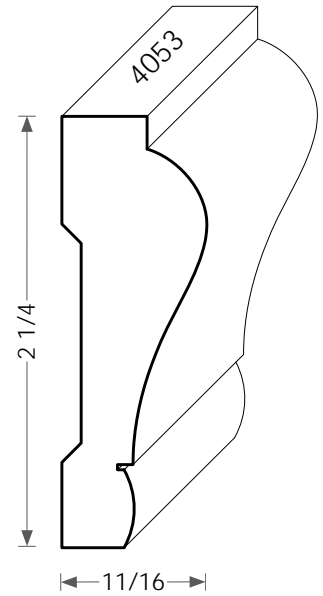
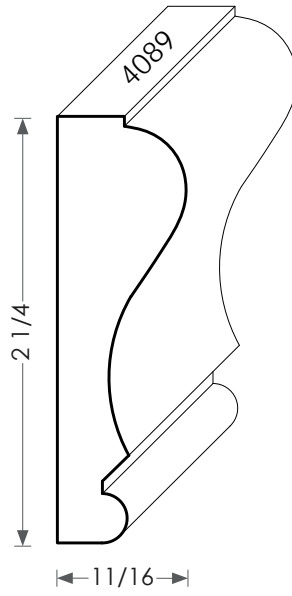
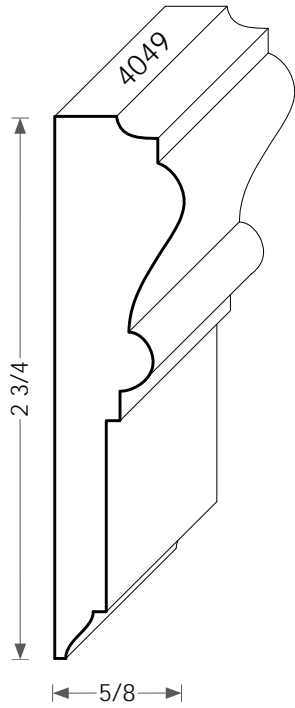
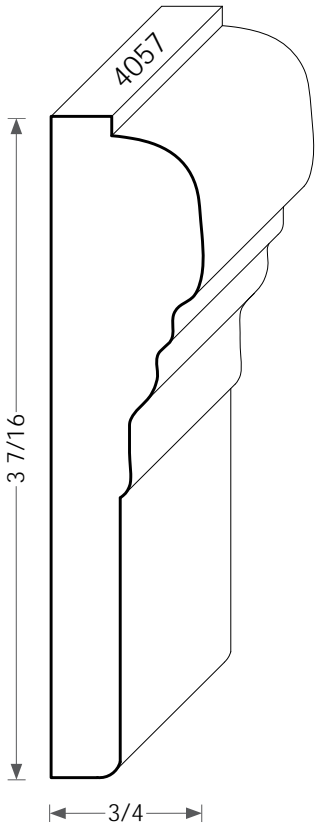
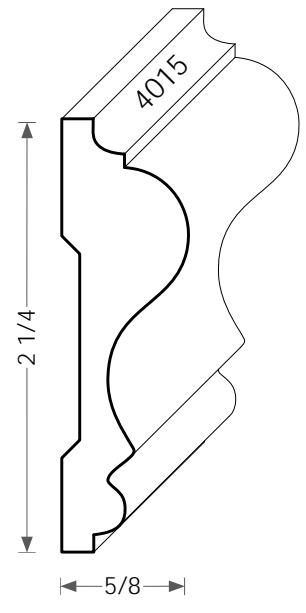
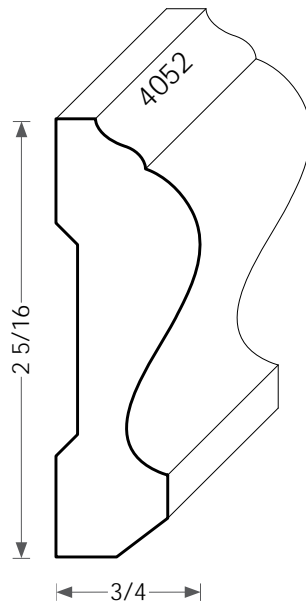
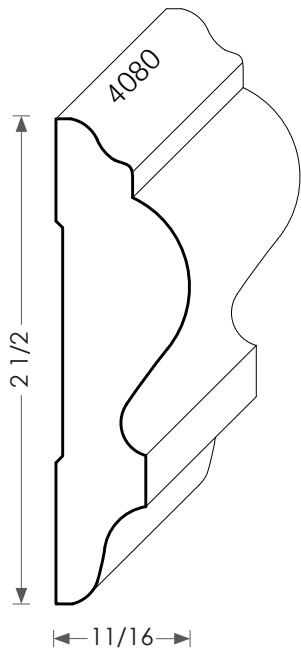
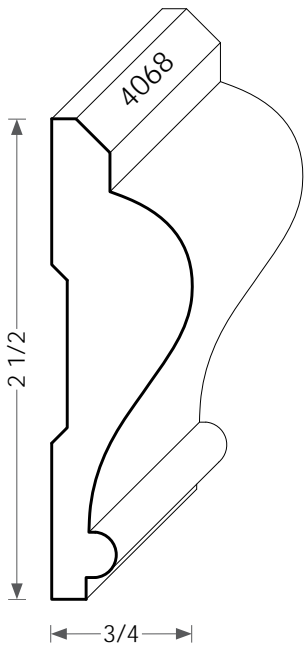
CHAIR RAIL



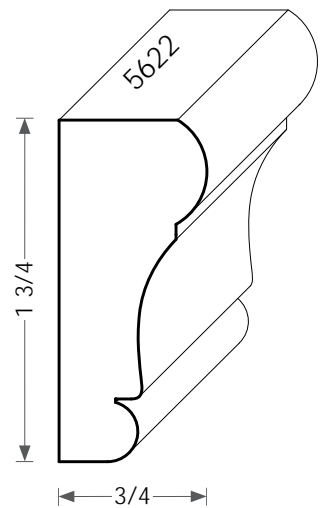
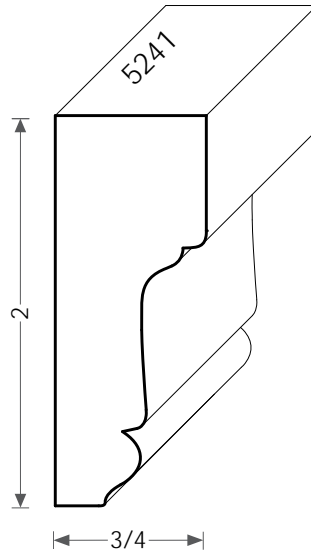
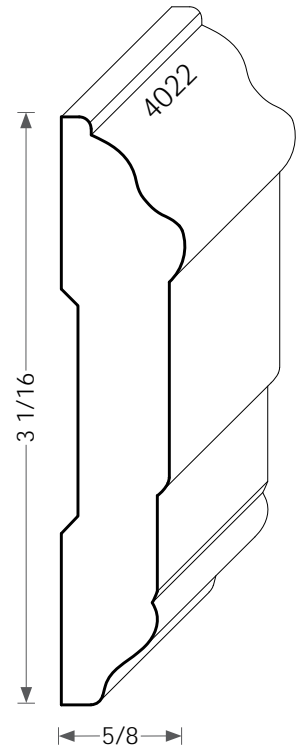
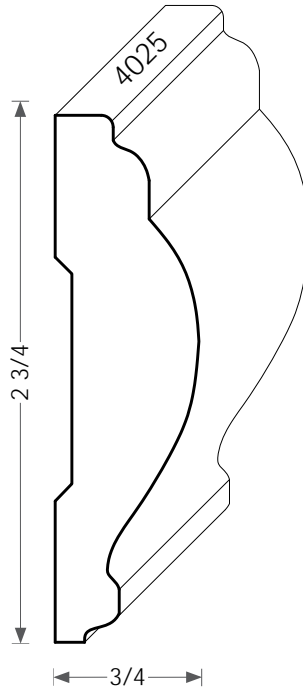
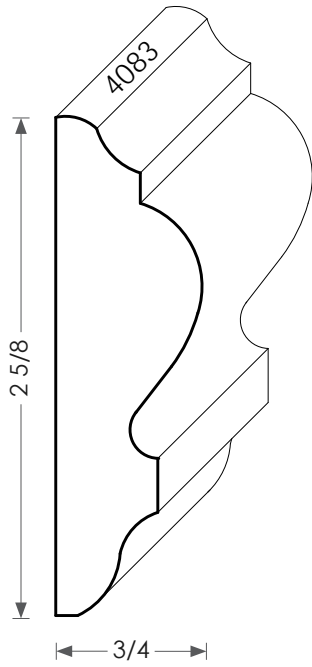
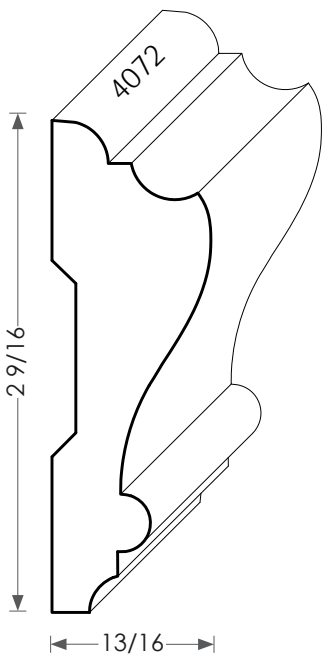
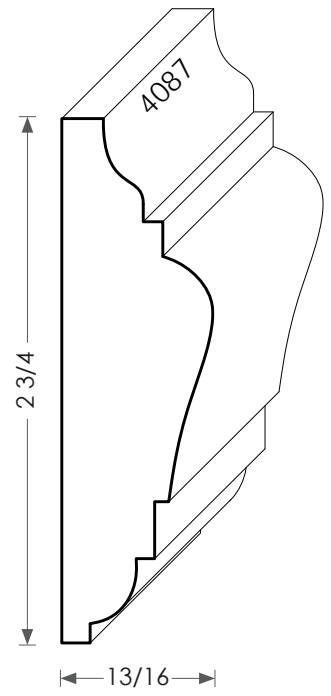
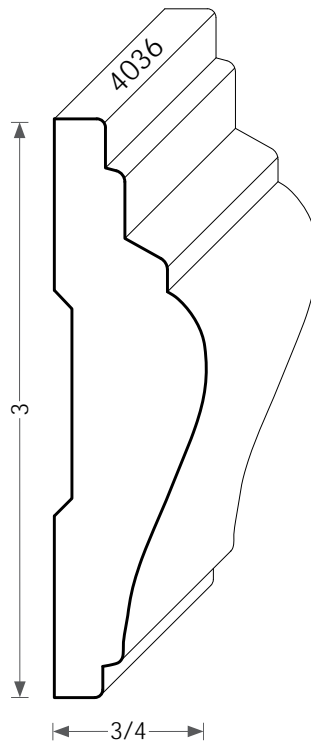
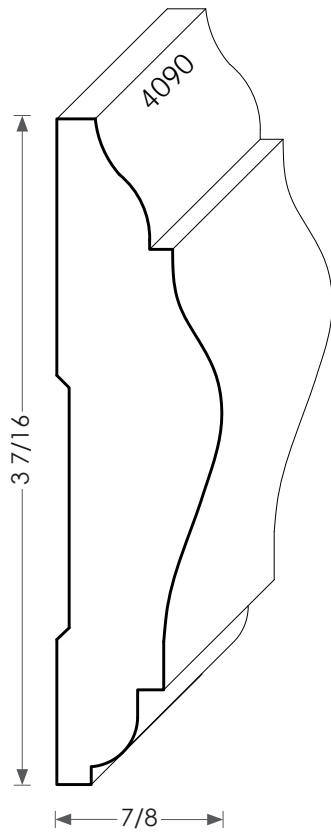
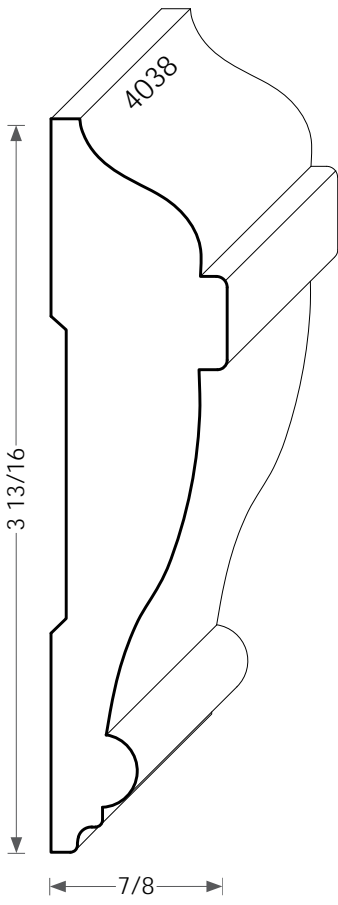


CHAIR RAIL

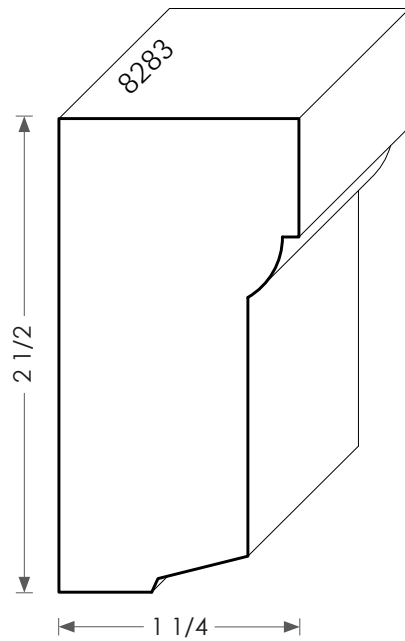
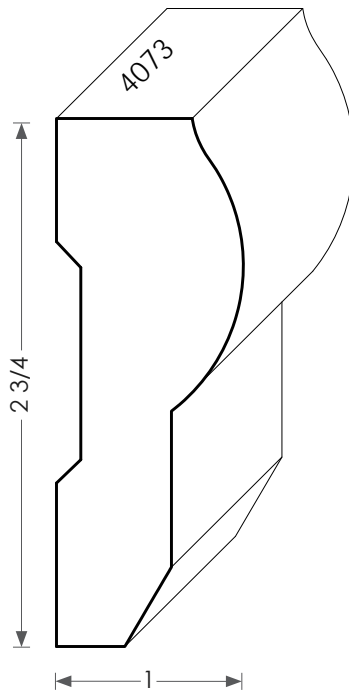
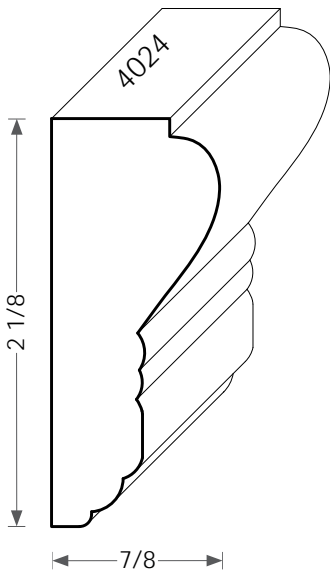
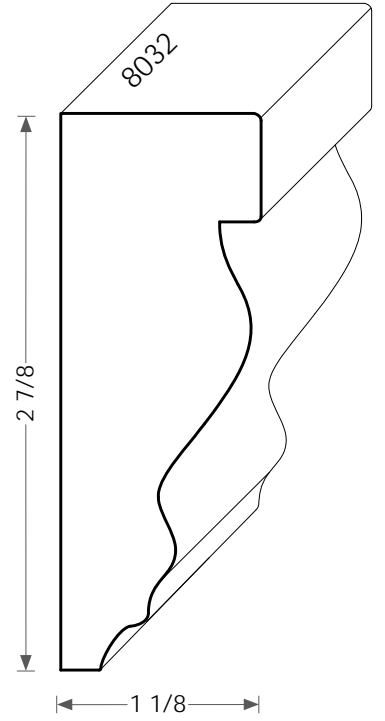
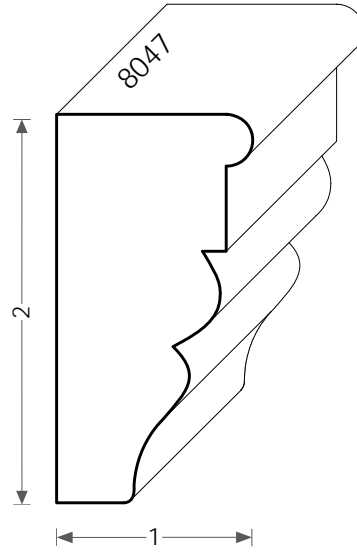
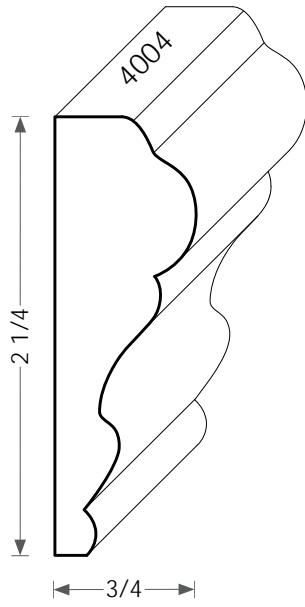
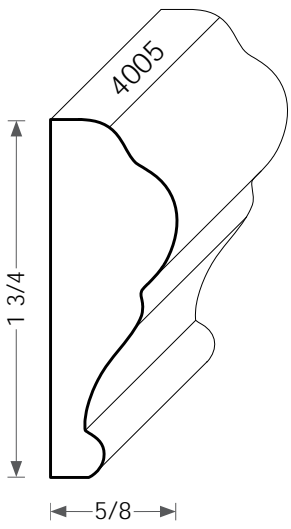
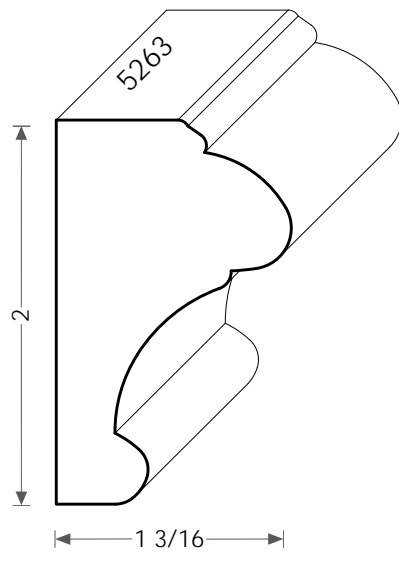
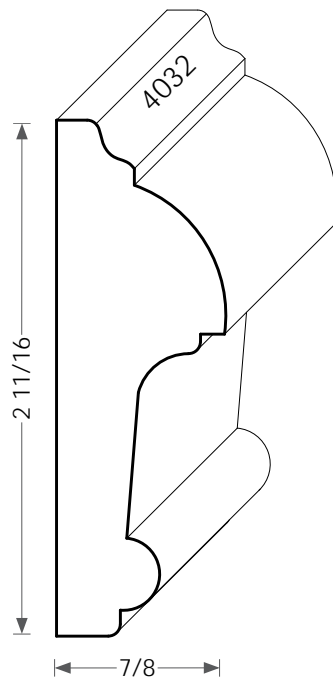
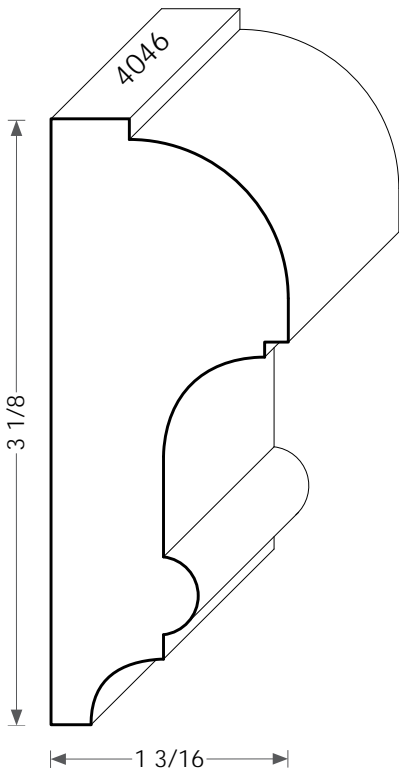




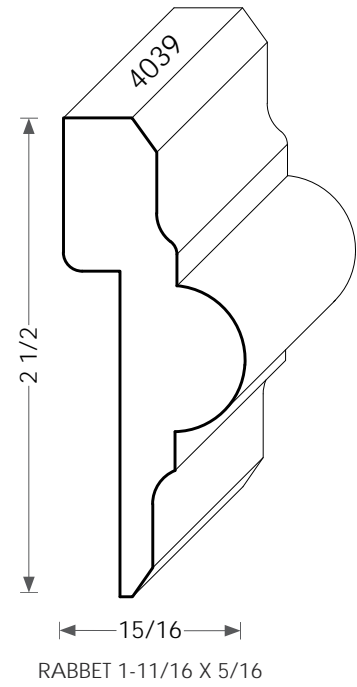
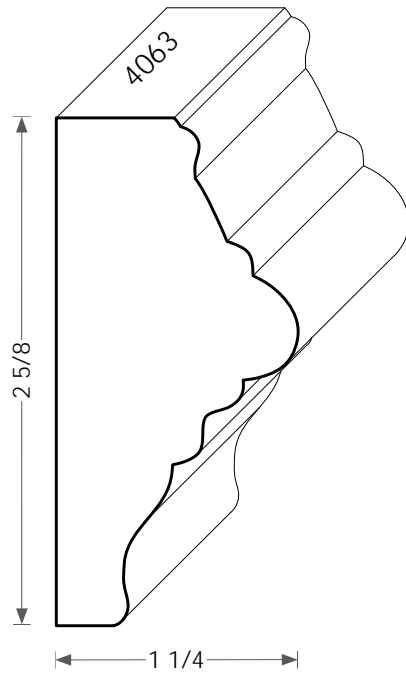
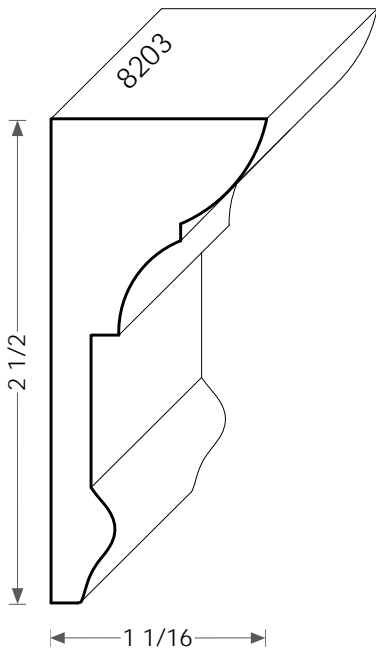
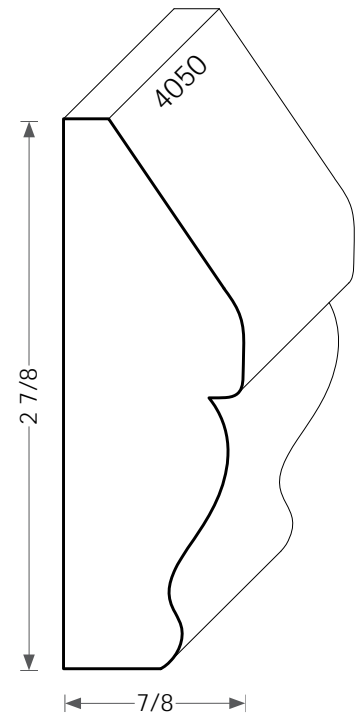
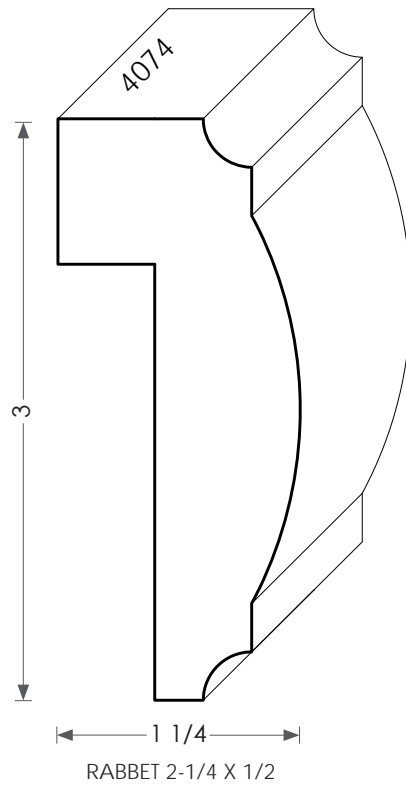
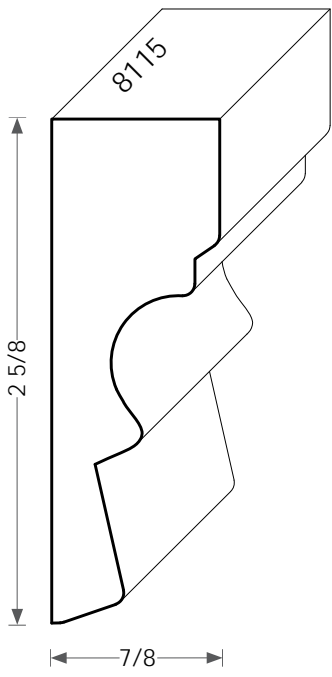
CHAIR RAIL

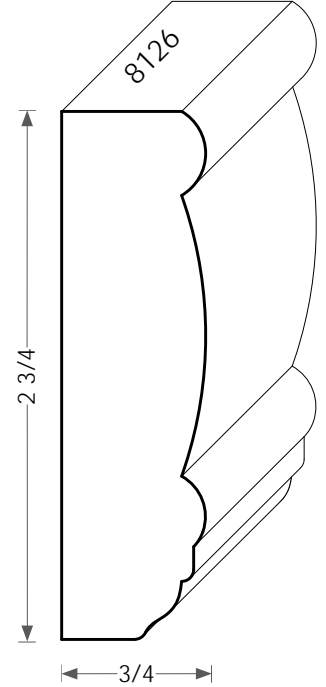
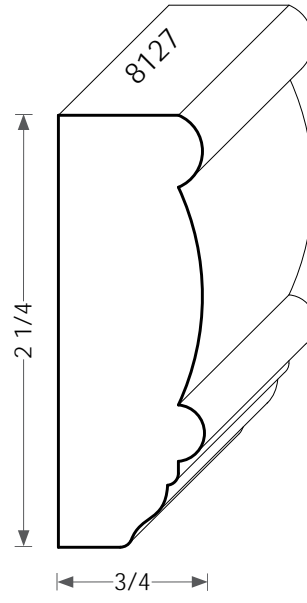
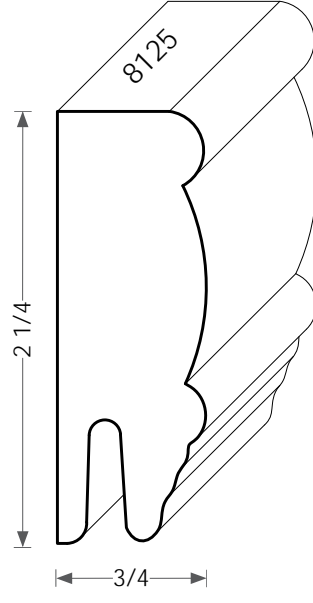
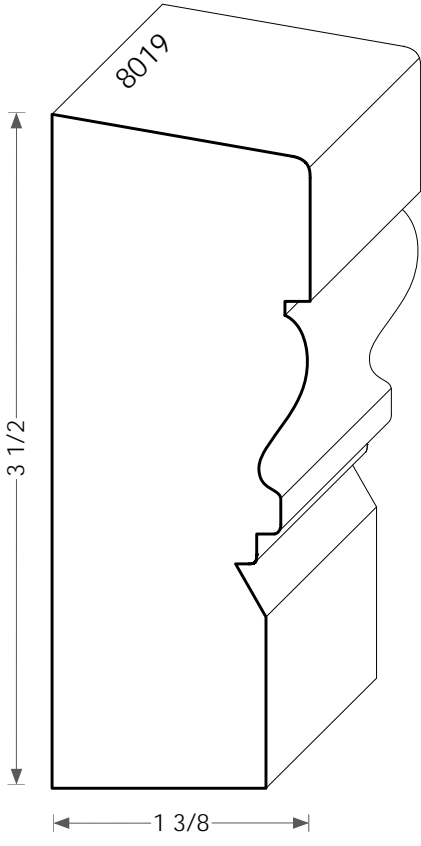
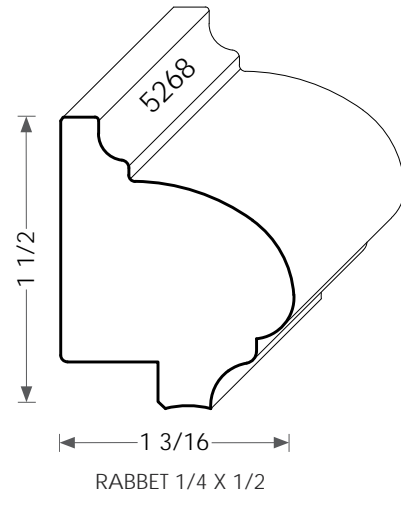
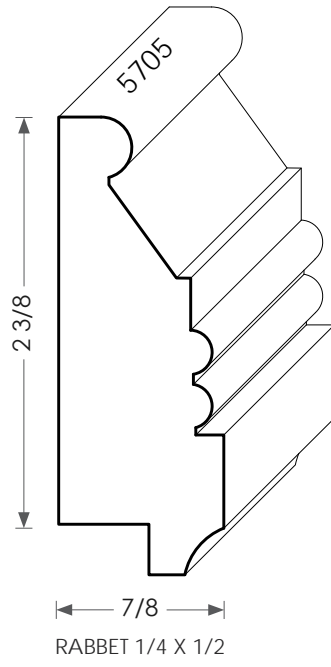
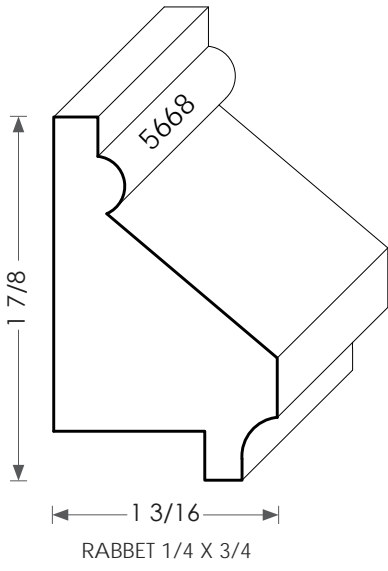




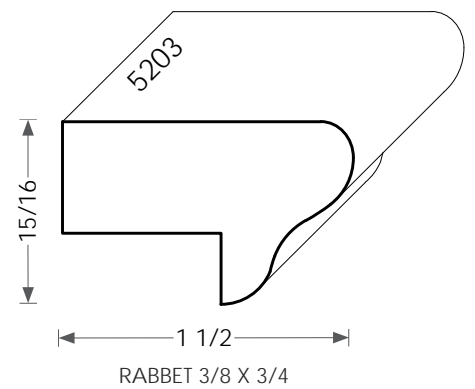
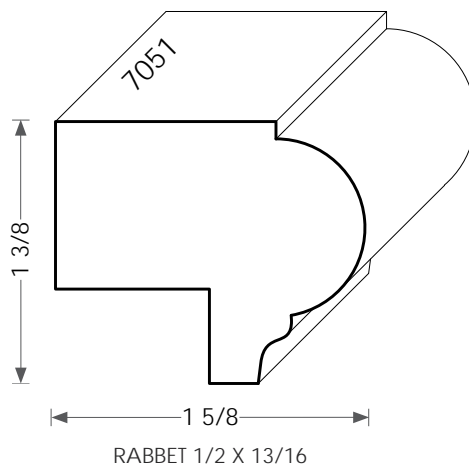
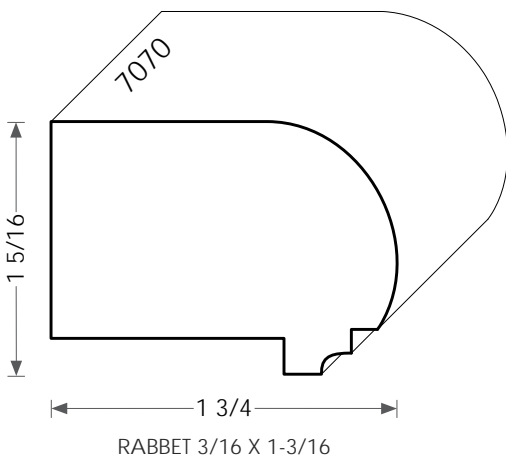
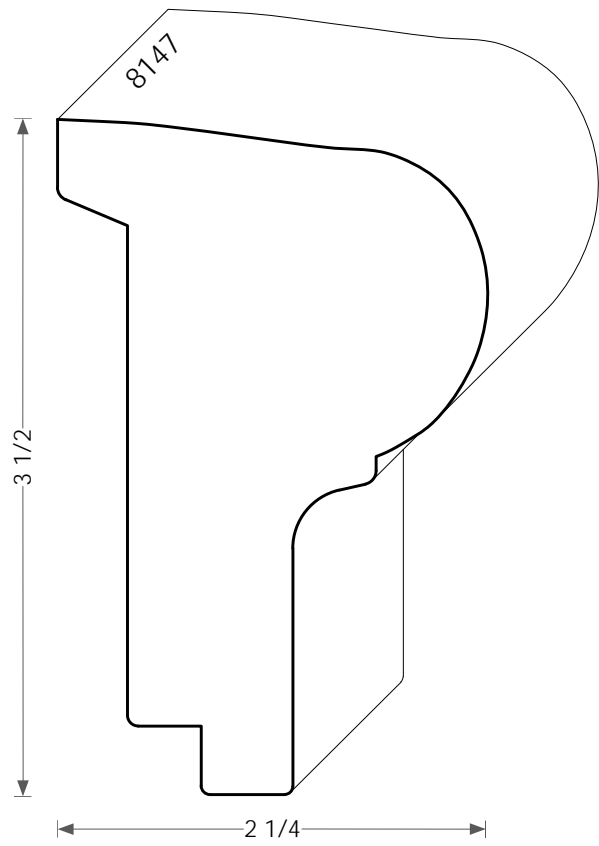
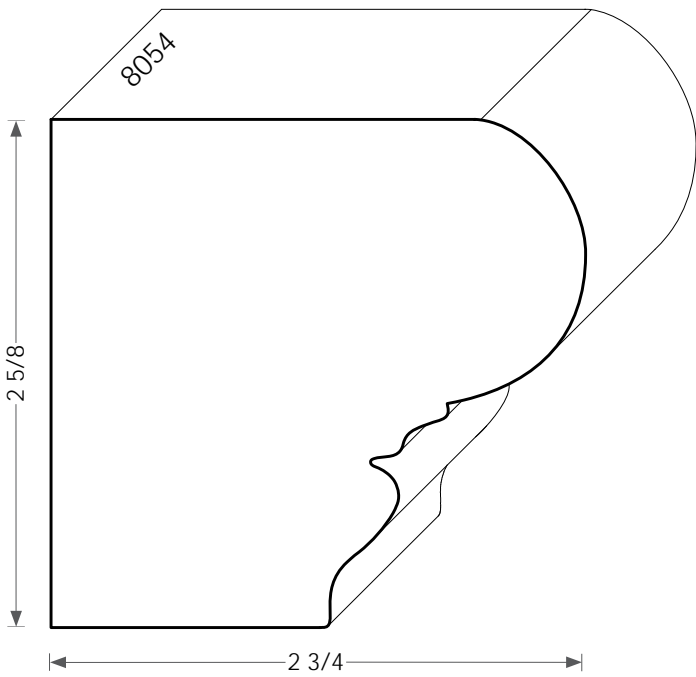
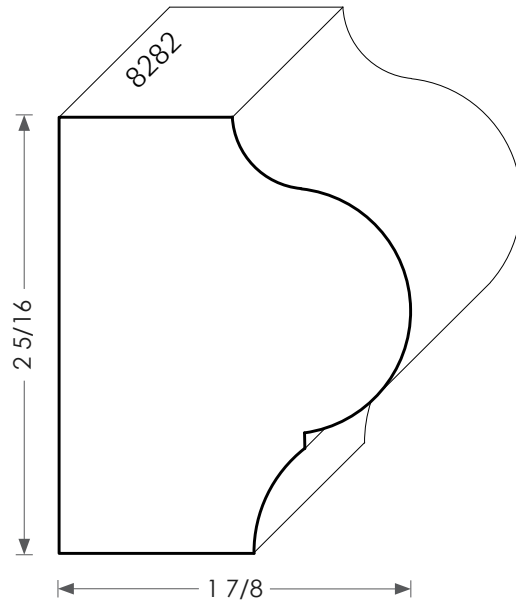
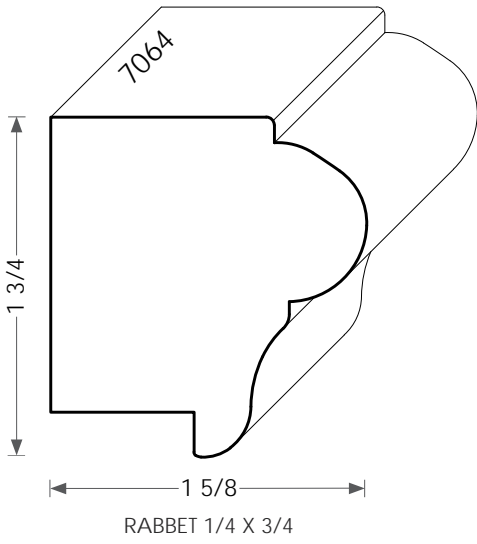


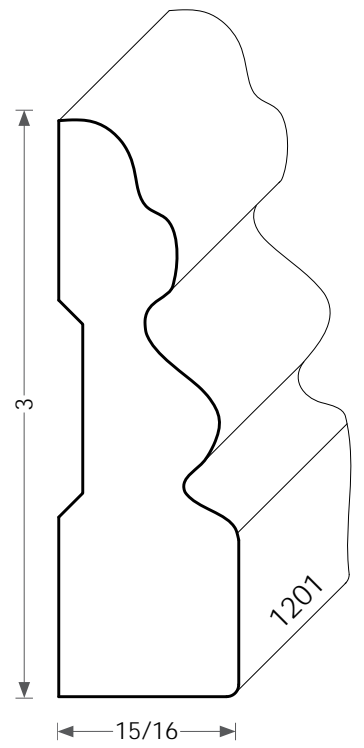
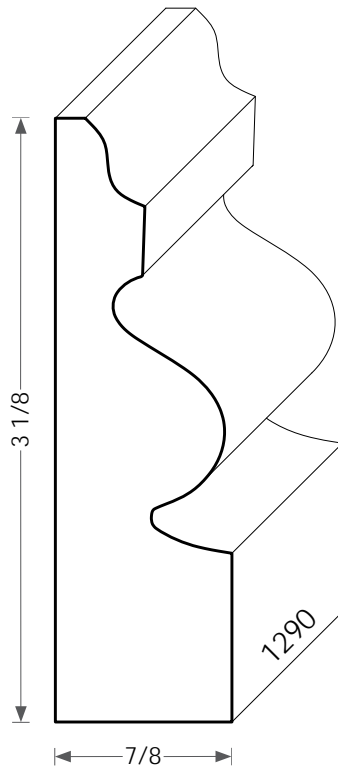
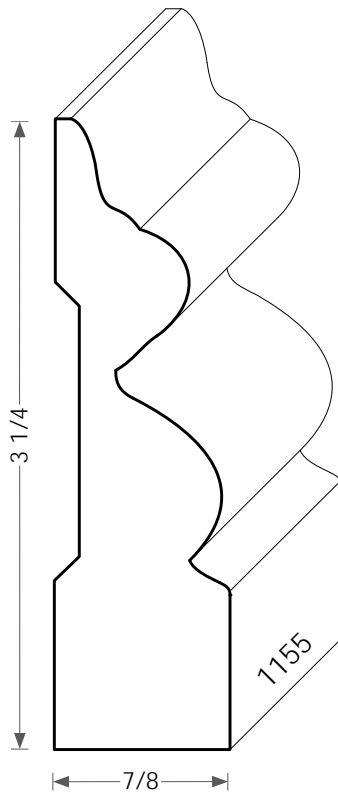
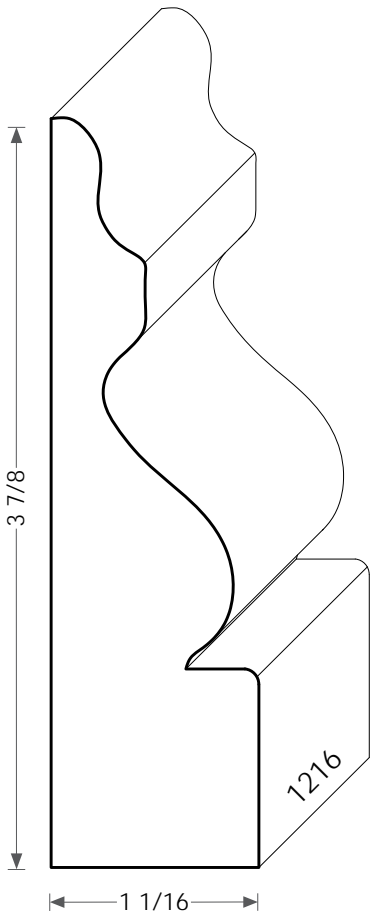
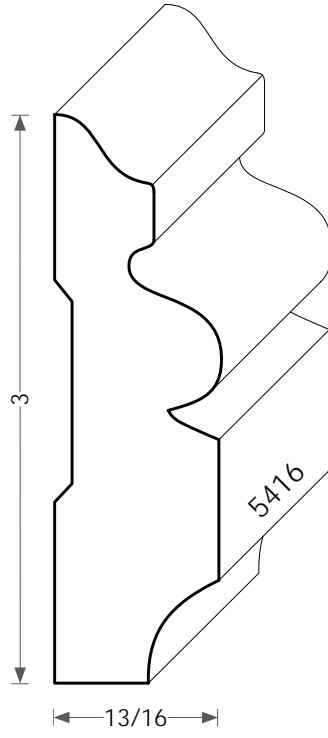
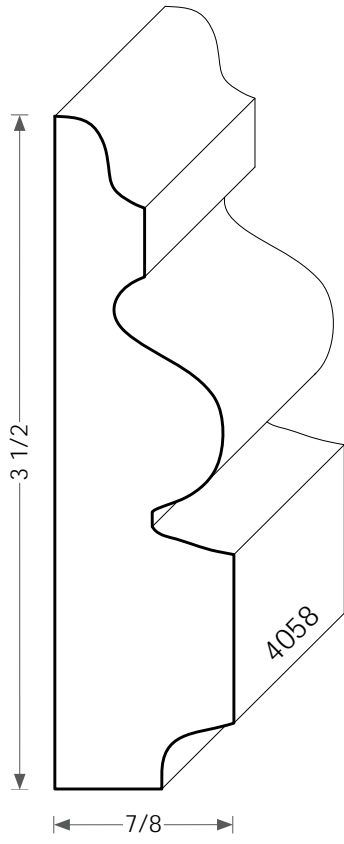
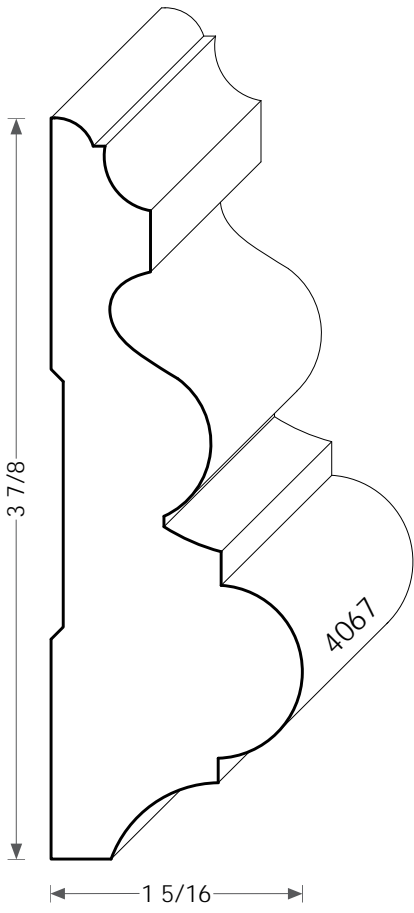
CHAIR RAIL



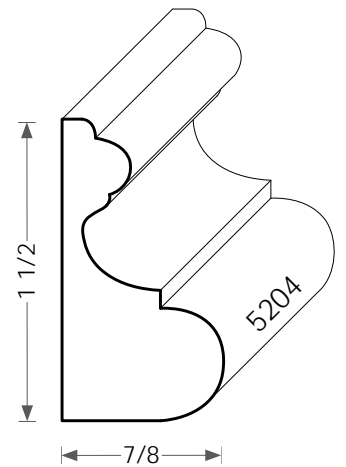
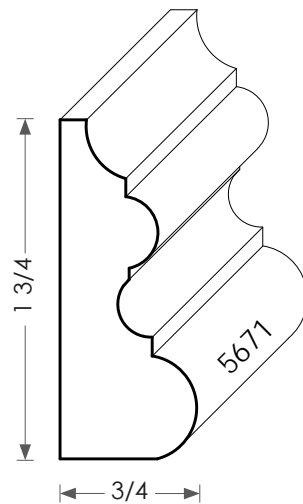
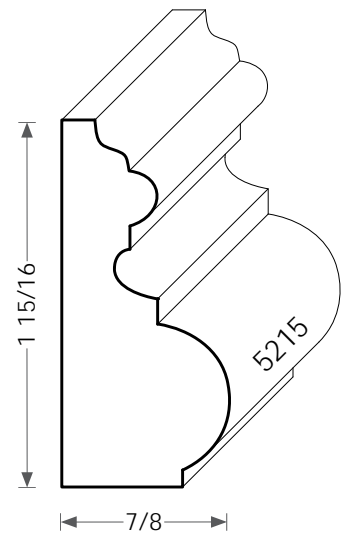
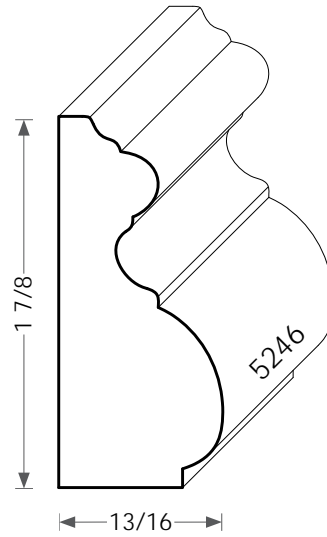
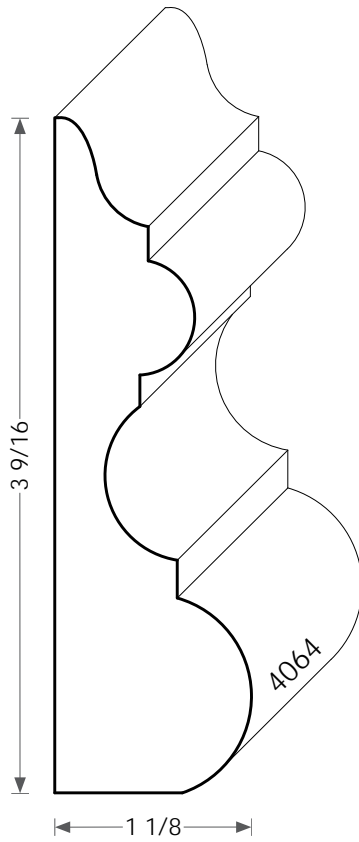
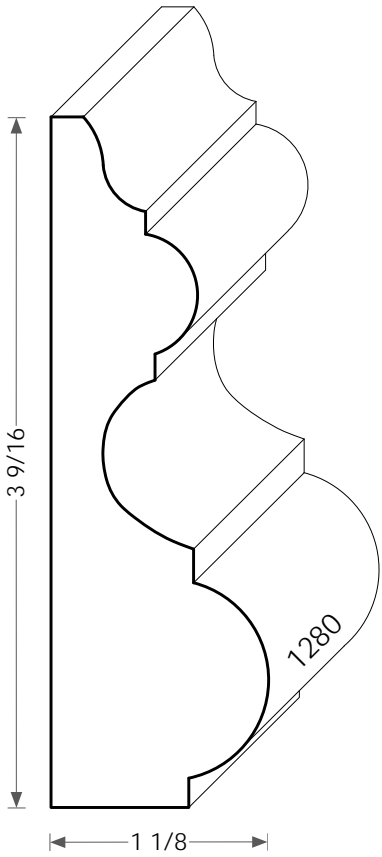
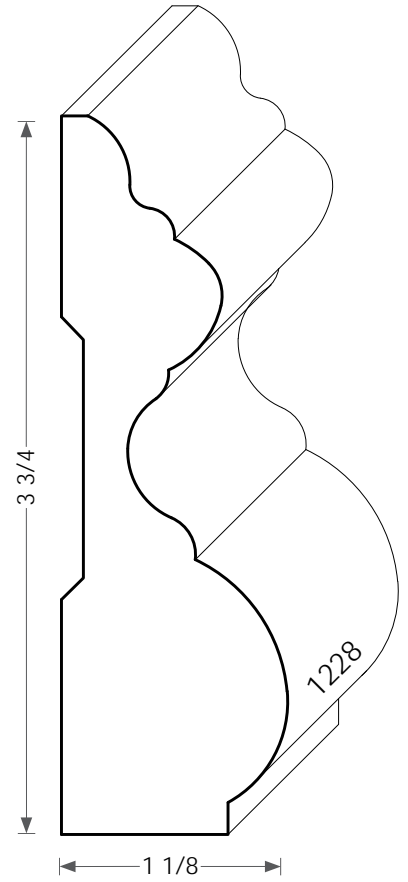
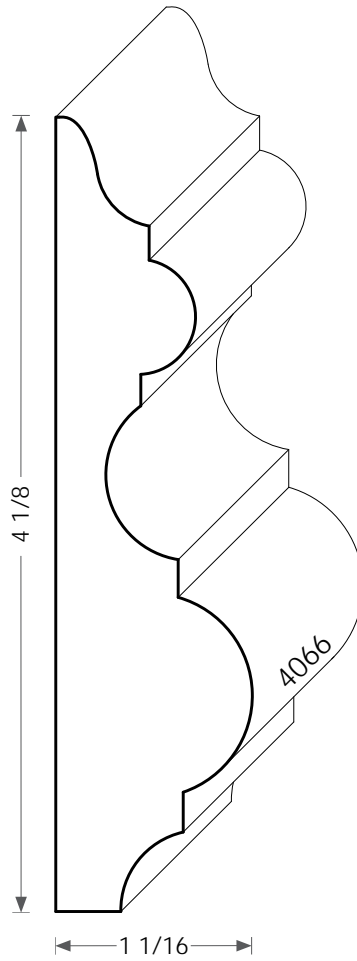
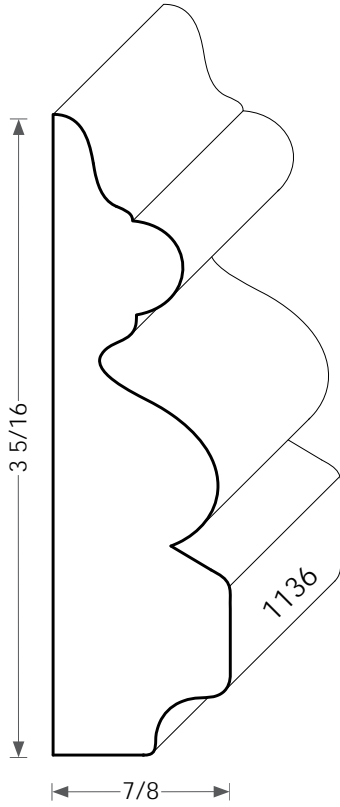
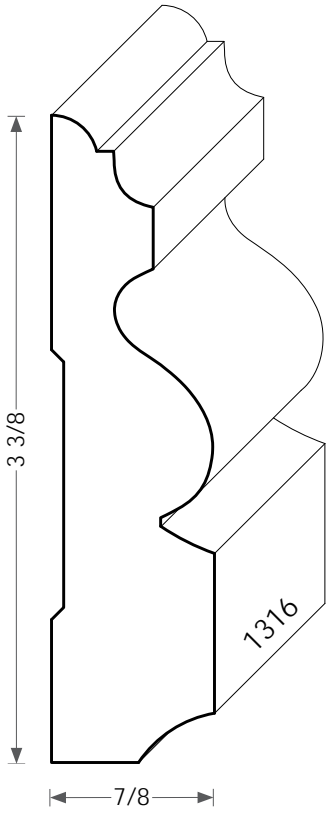


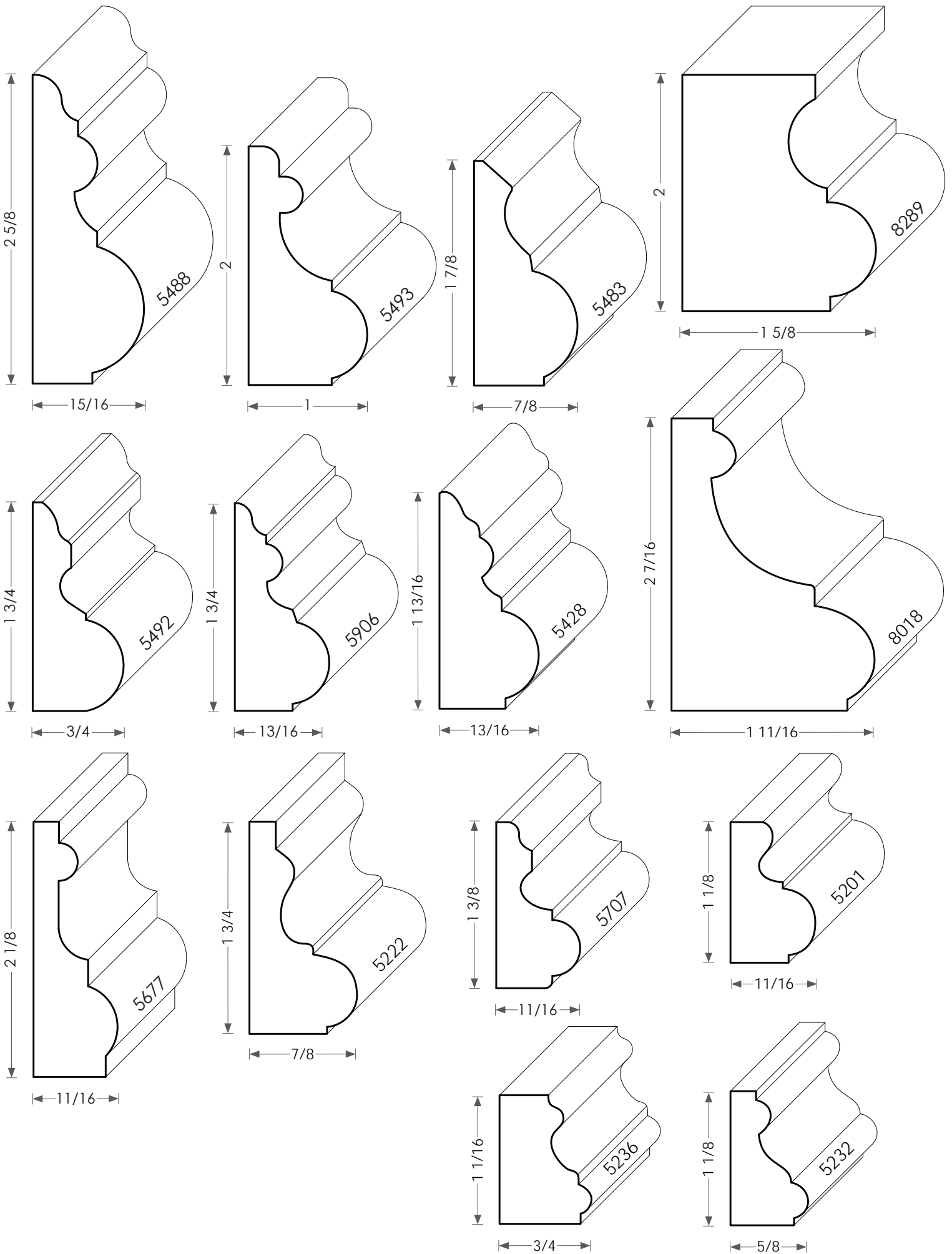
CHAIR RAIL  
NOSINGS



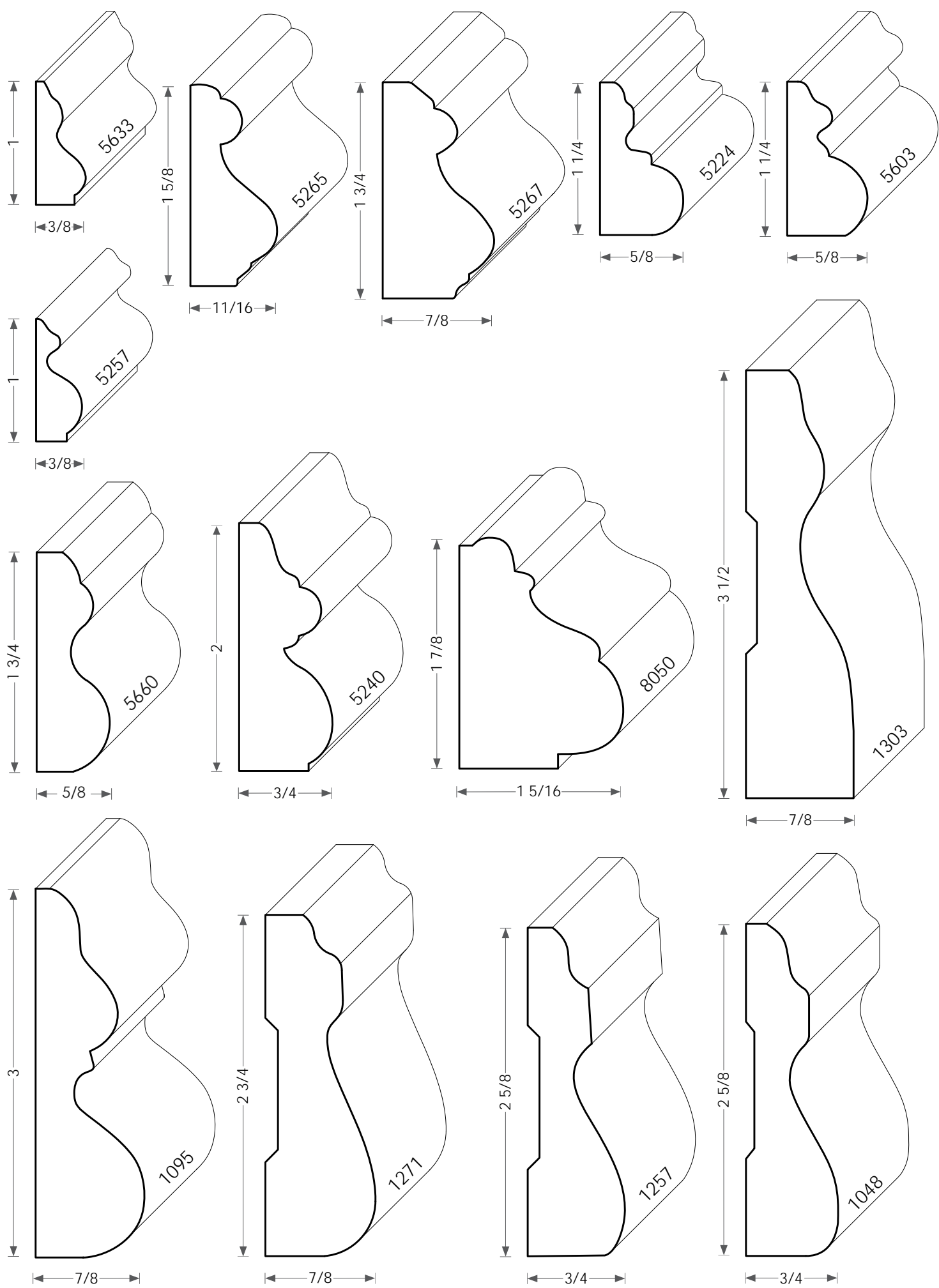


PANEL MOLD & BASE CAP

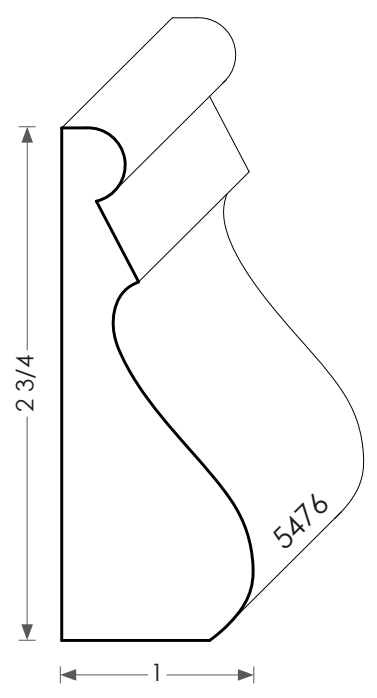
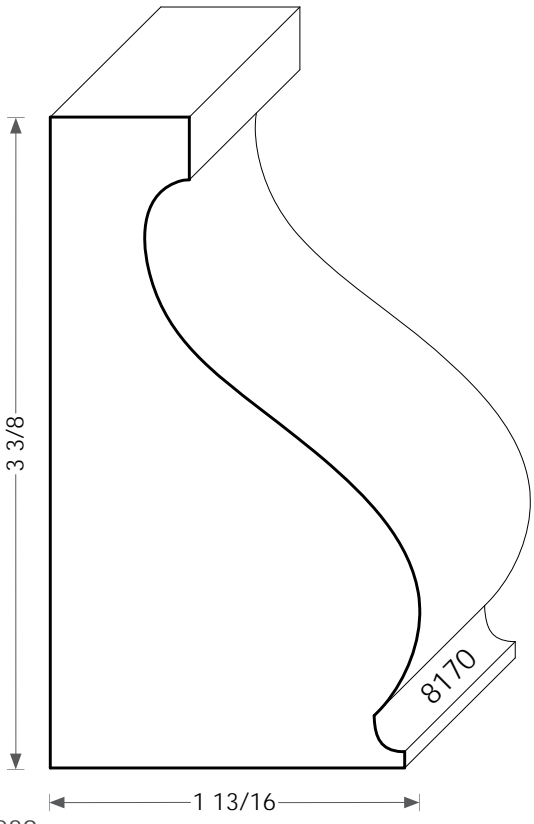
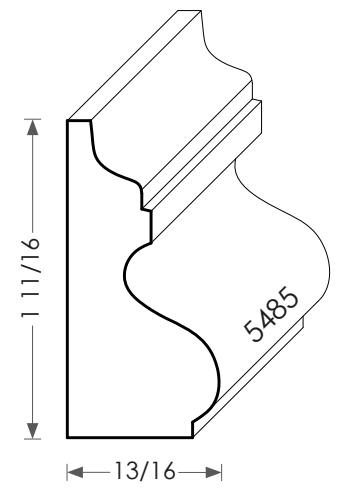
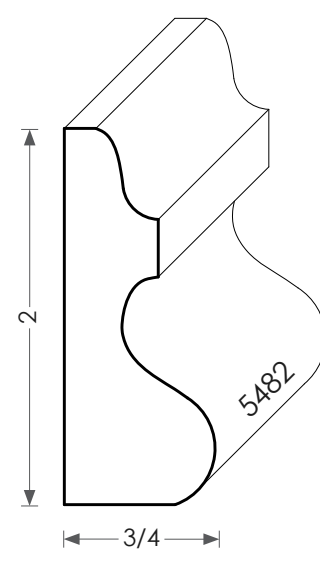
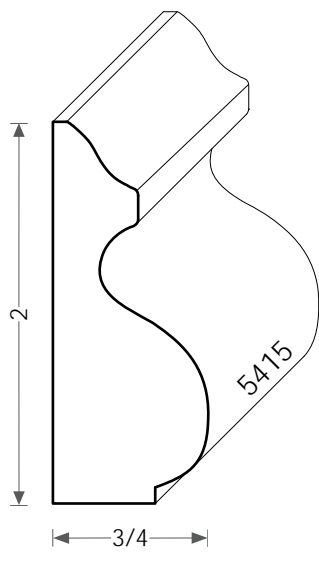
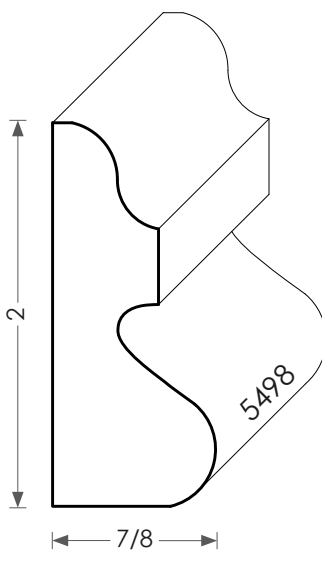
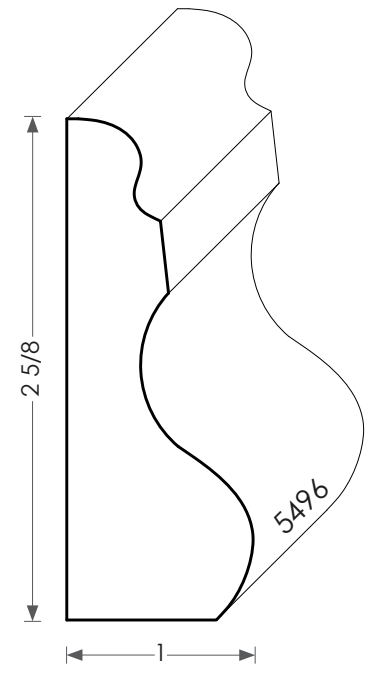
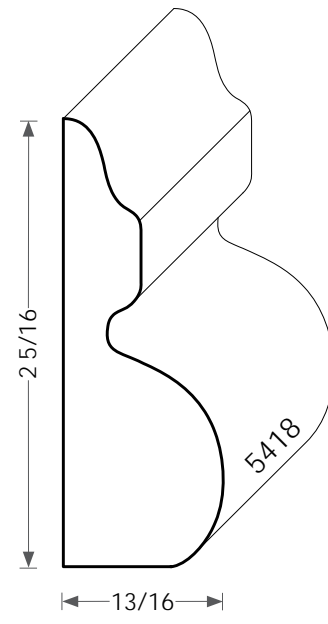
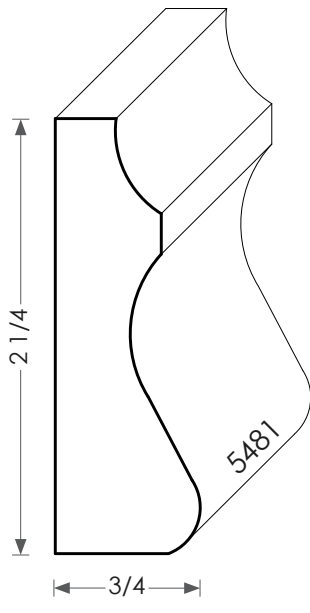
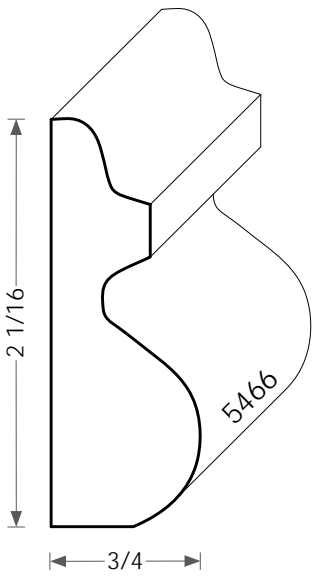




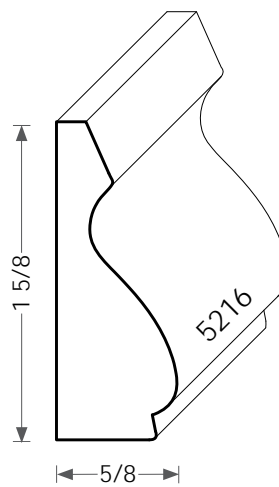
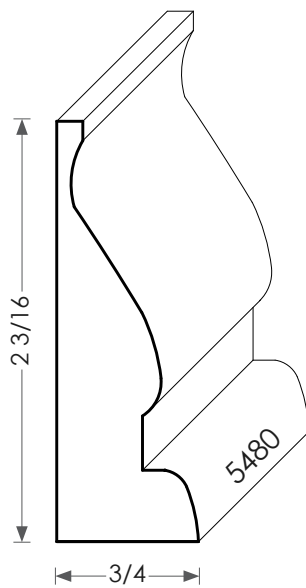
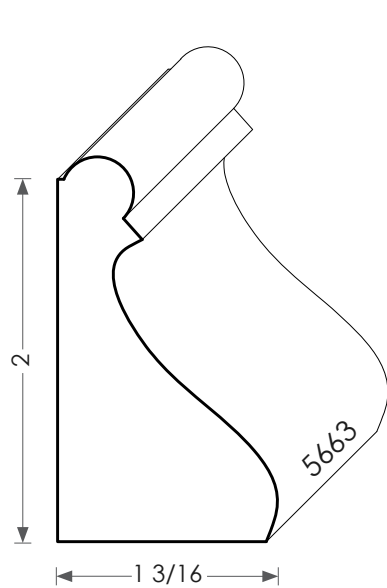
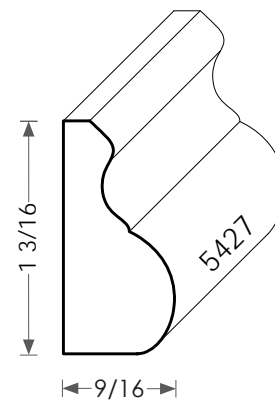
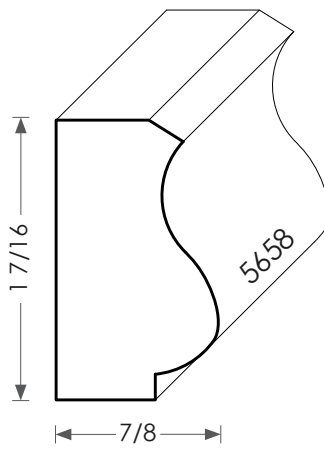
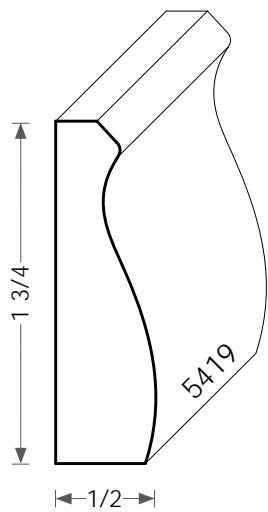
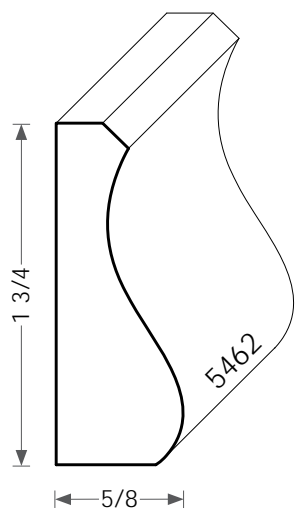
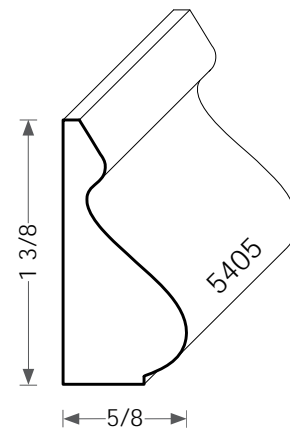
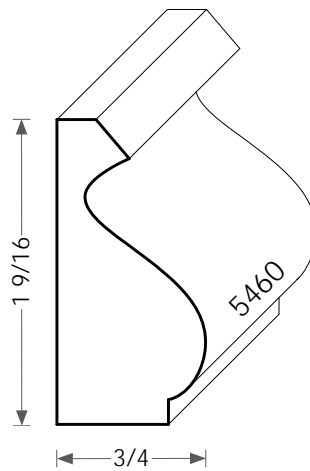
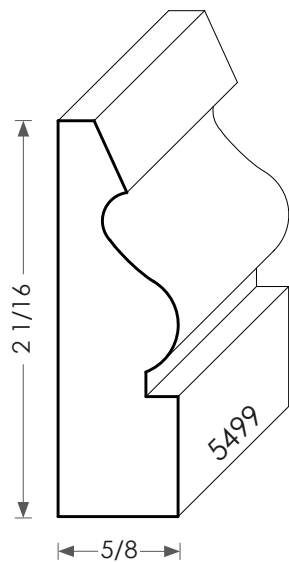
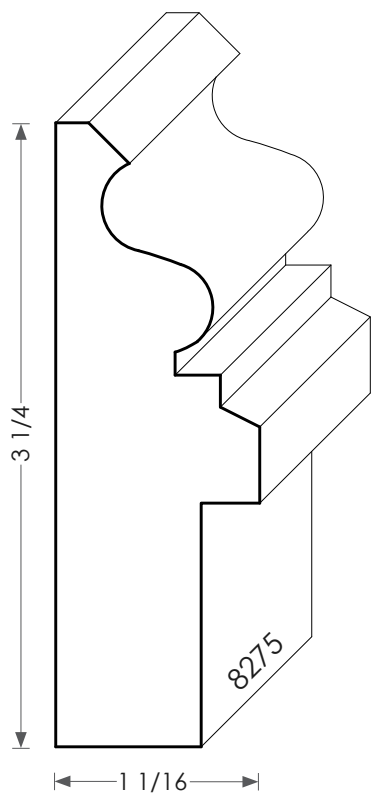
PANEL MOLD & BASE CAP

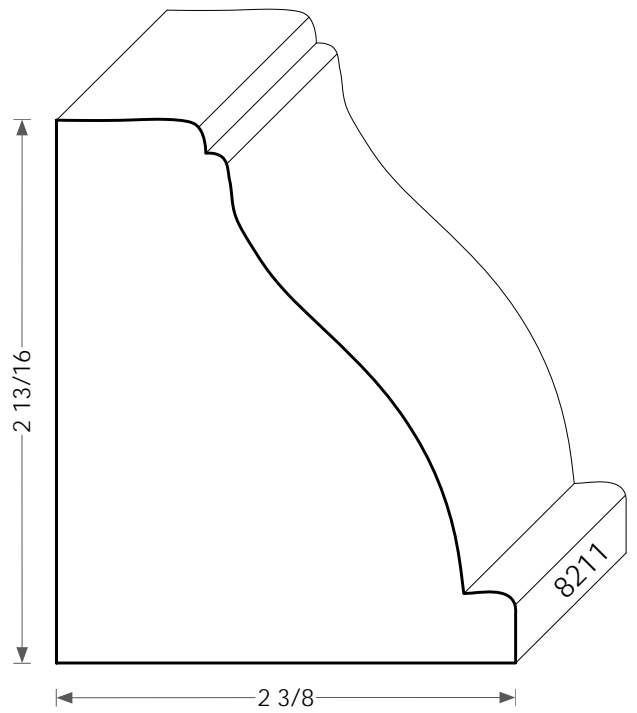
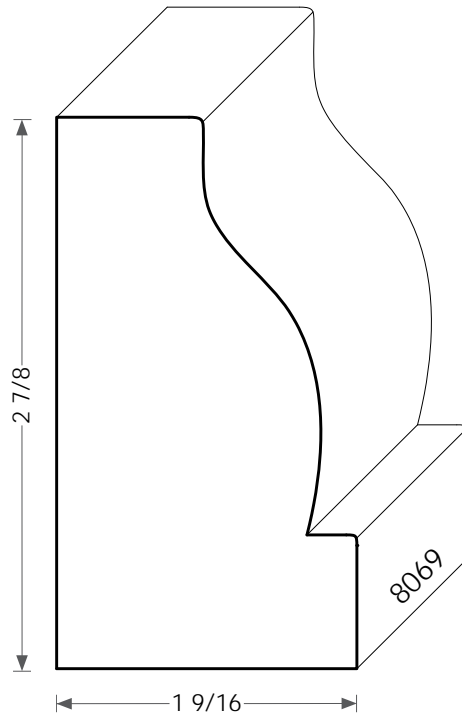
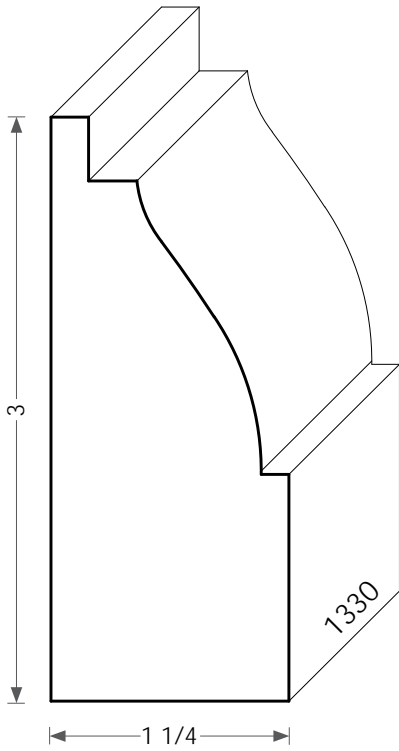
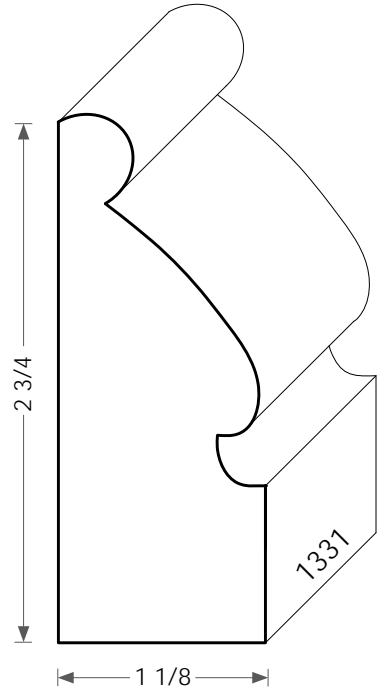
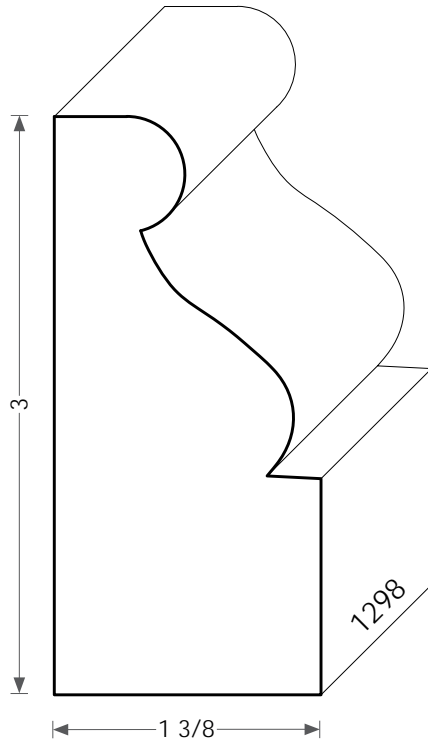
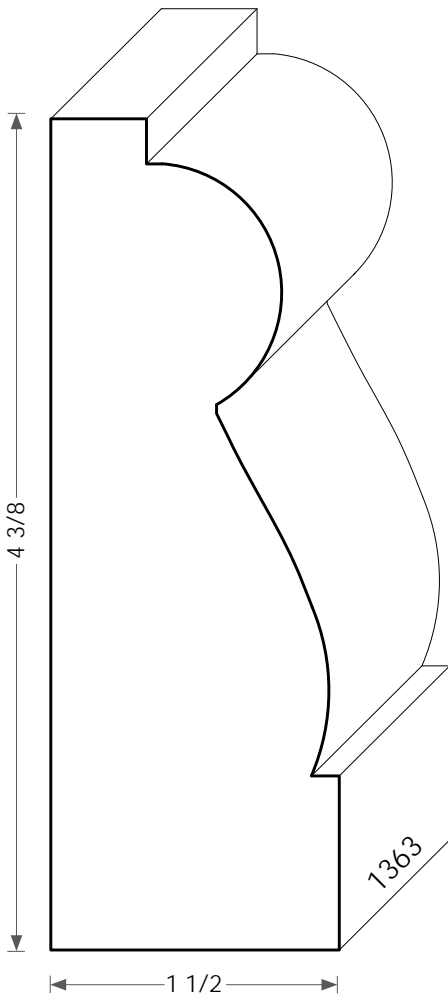




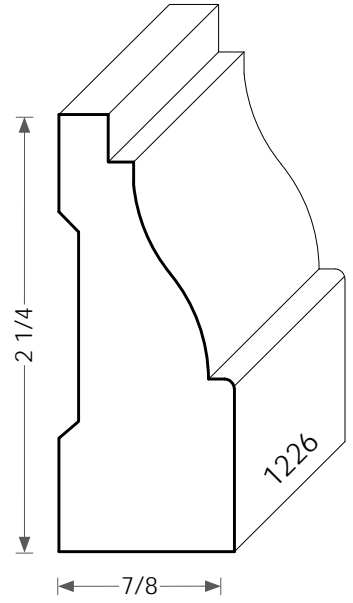
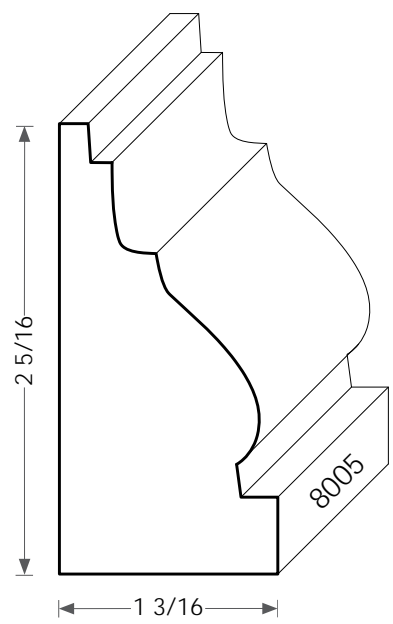
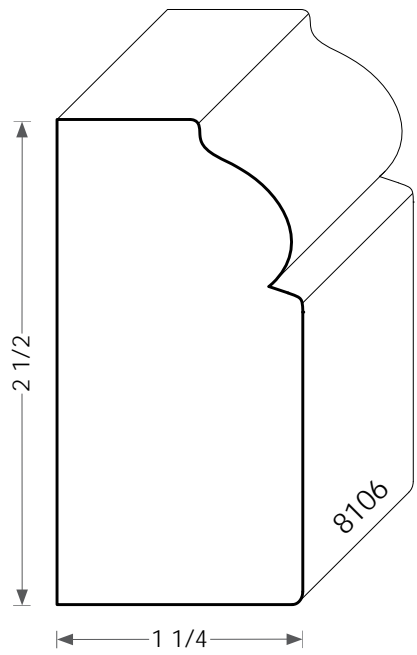
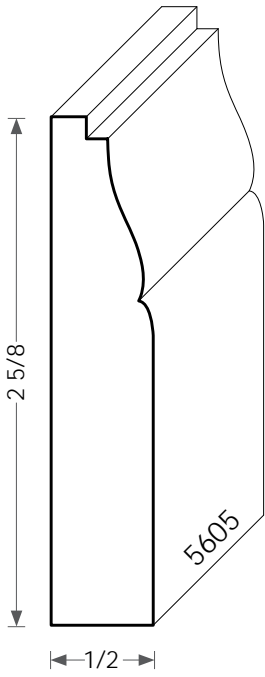
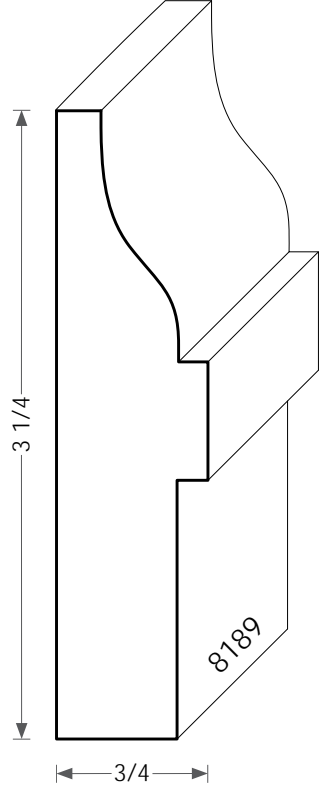
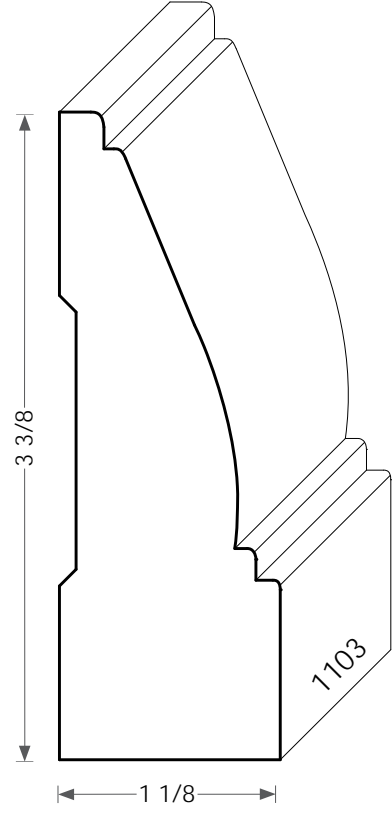
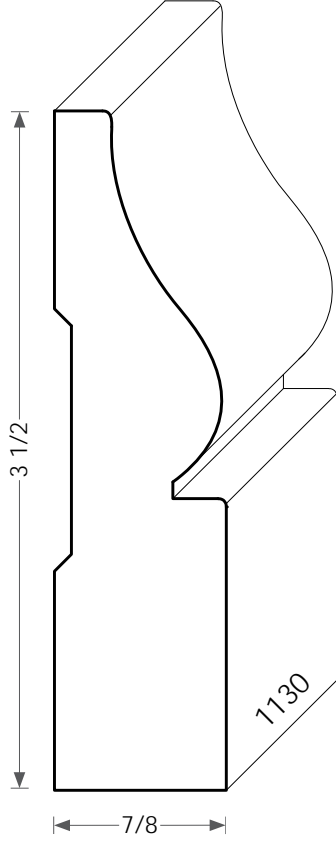
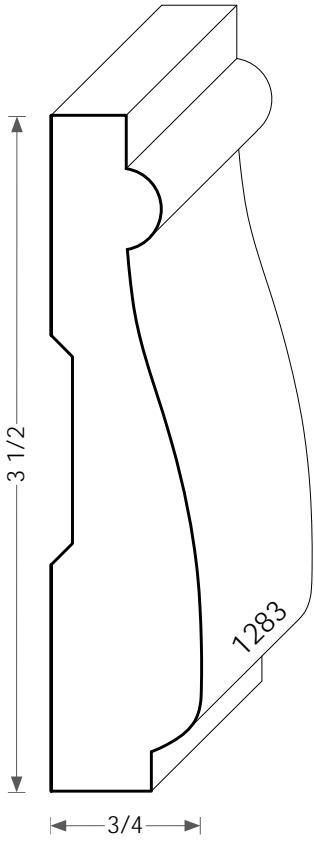


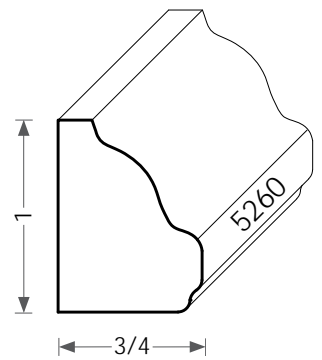
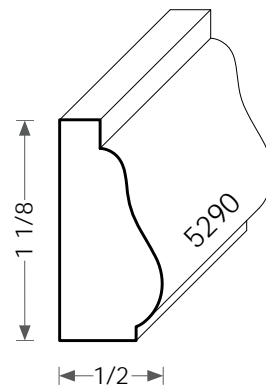
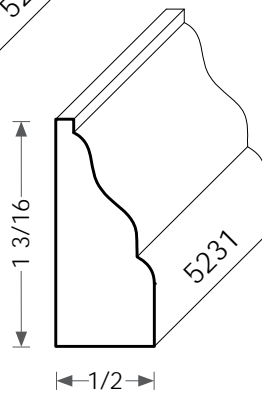
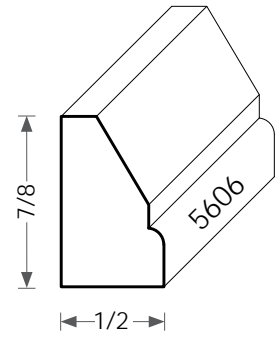
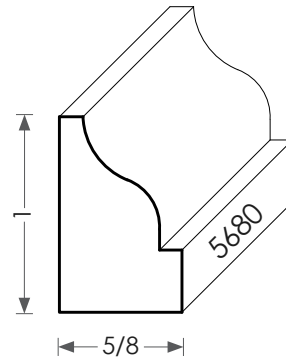
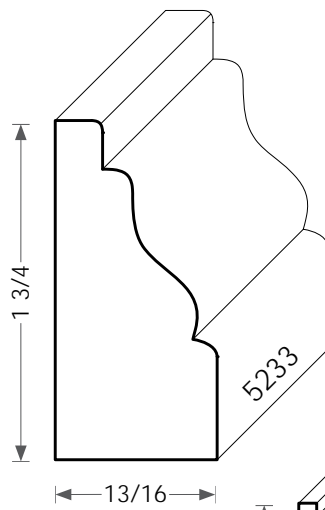
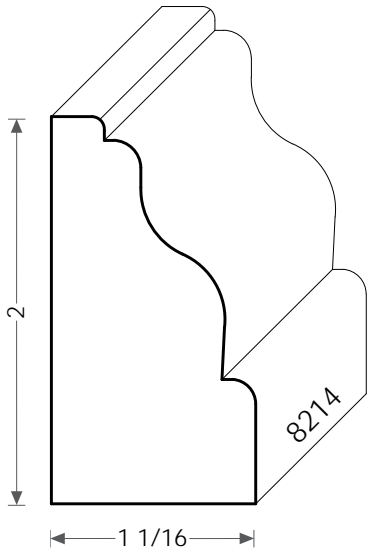
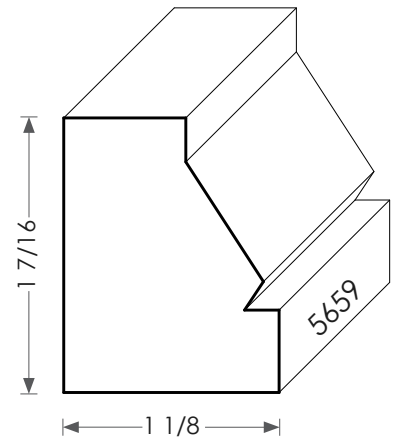
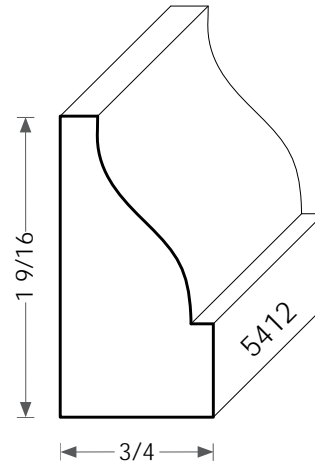
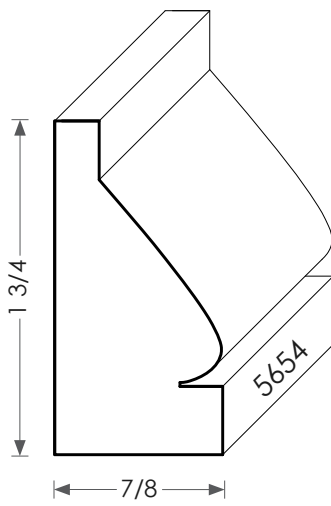
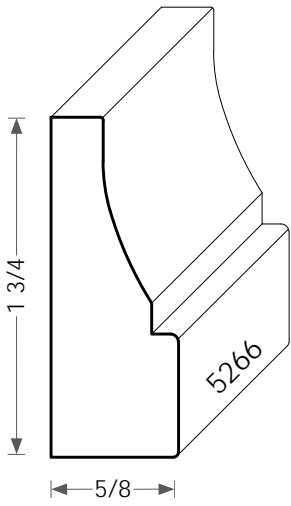
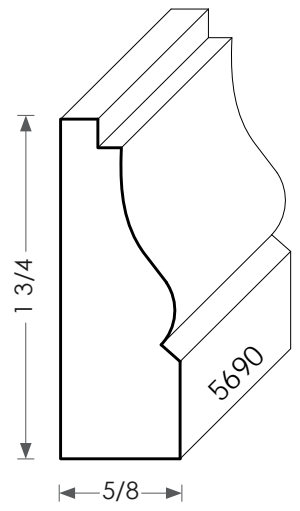
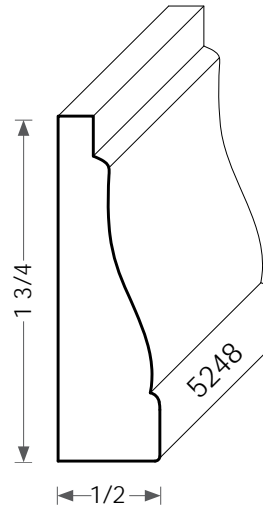
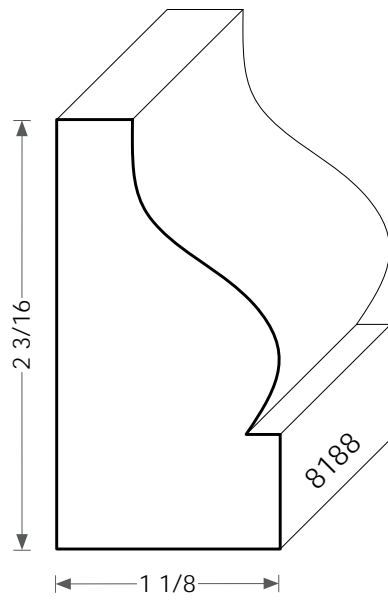
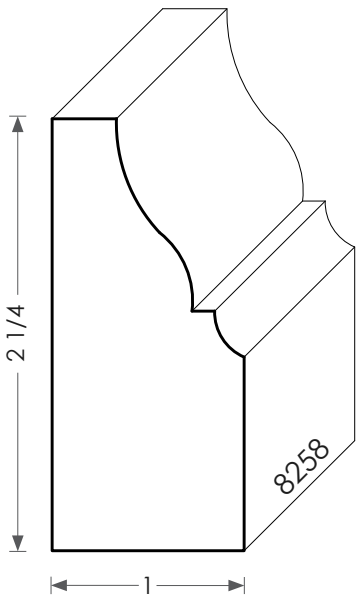
PANEL MOLD & BASE CAP



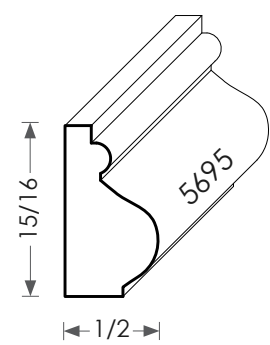
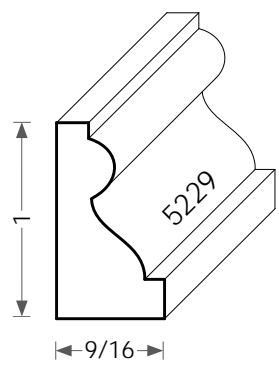
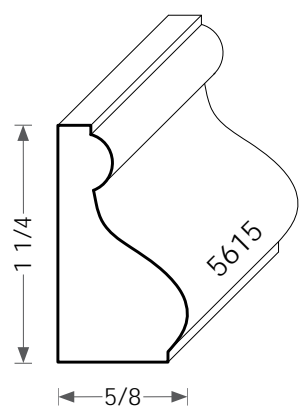
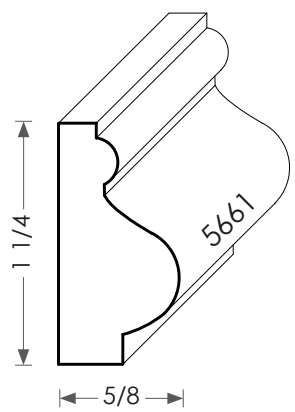
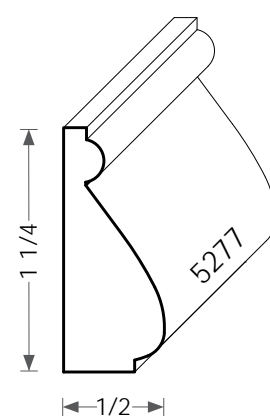
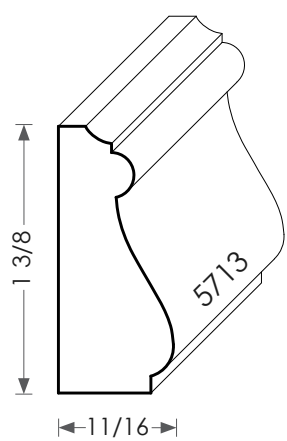
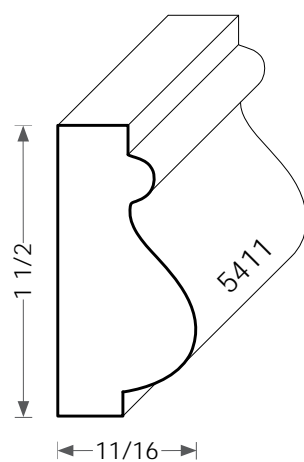
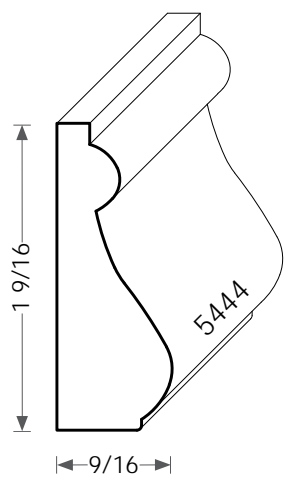
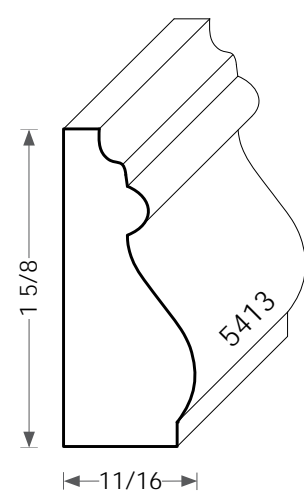
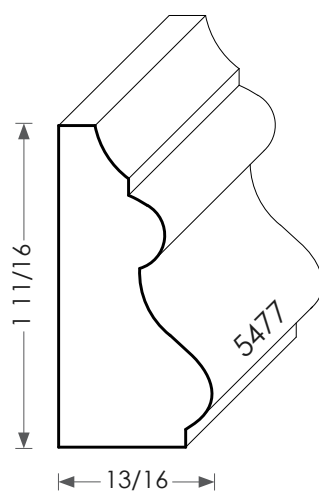
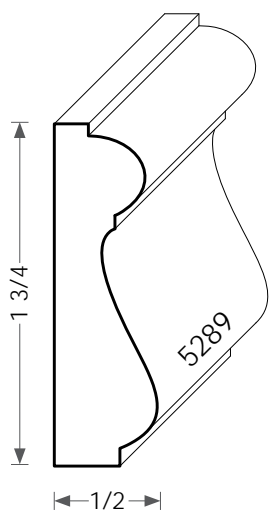
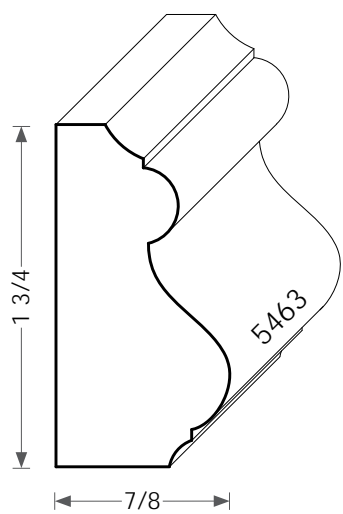
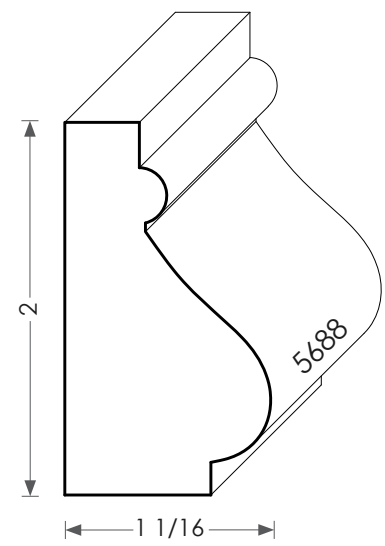
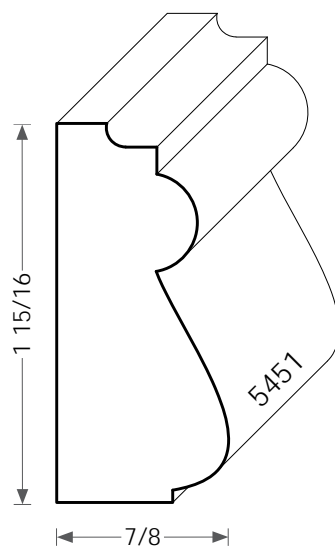
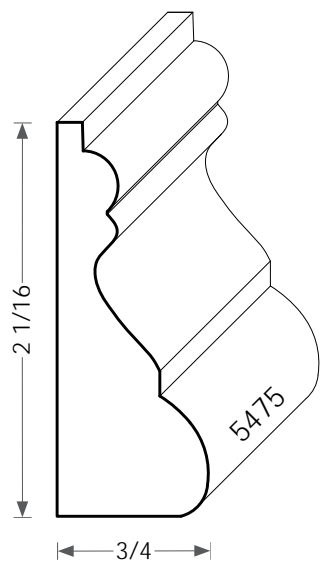
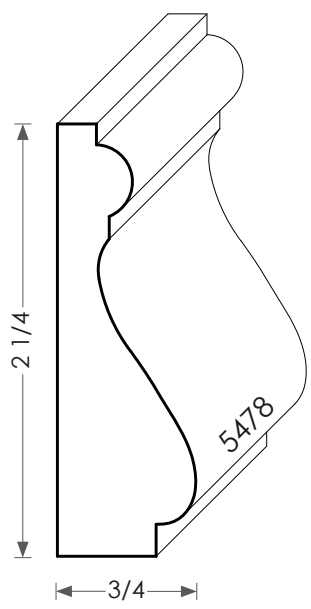


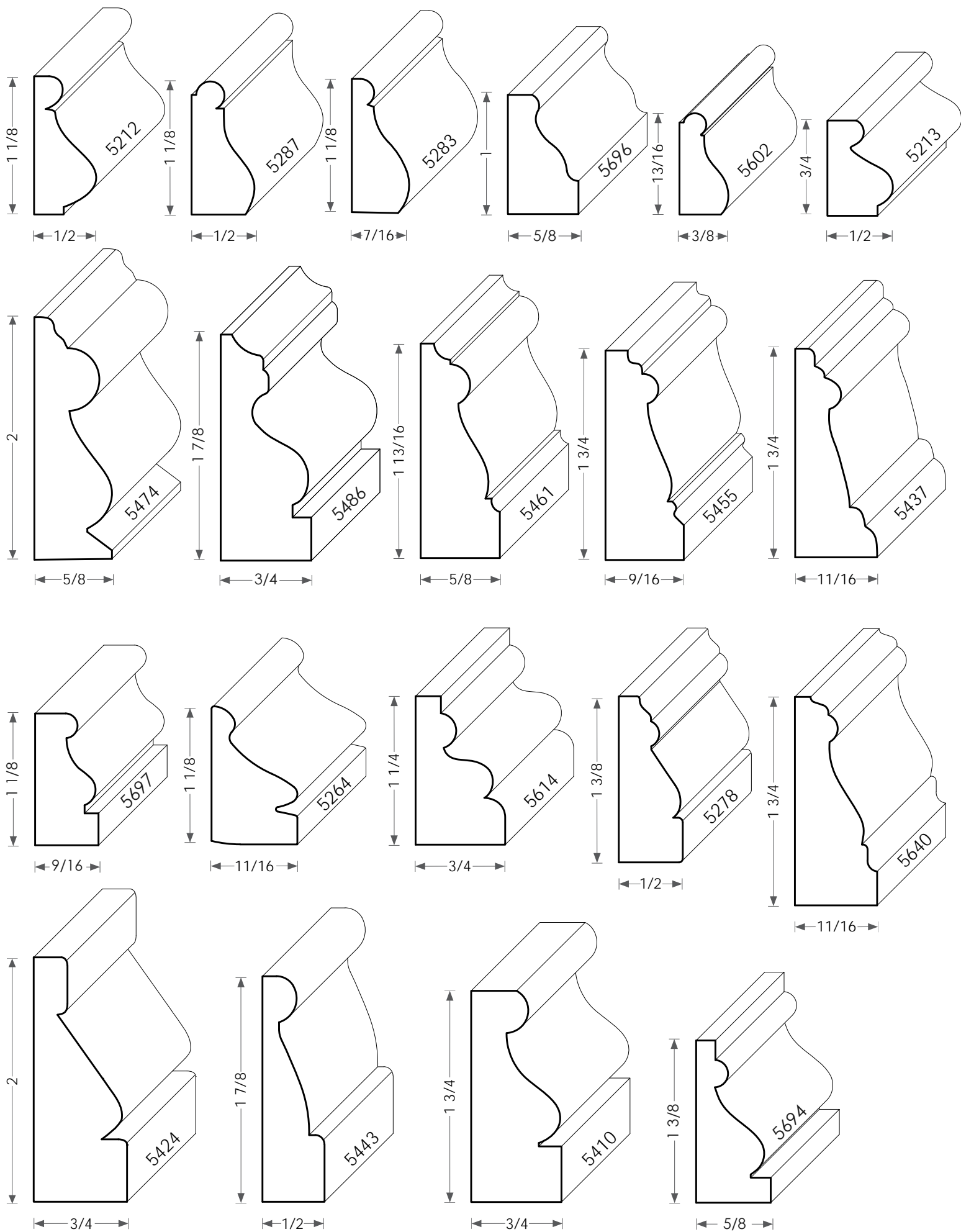
PANEL MOLD & BASE CAP



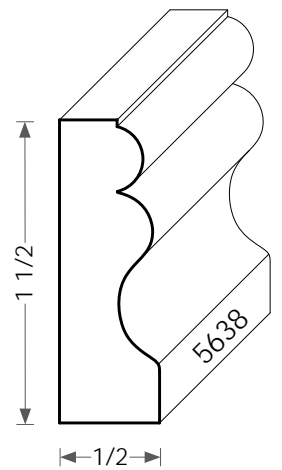
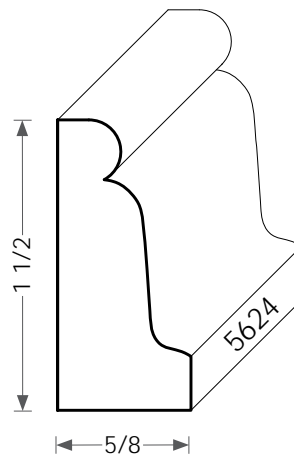
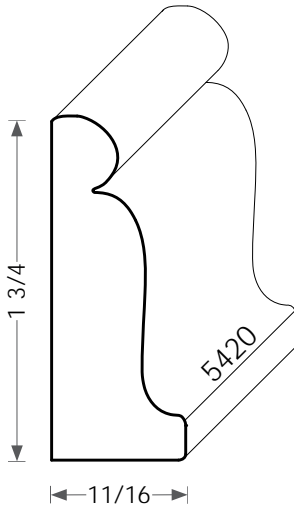
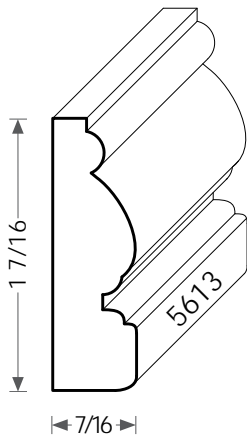
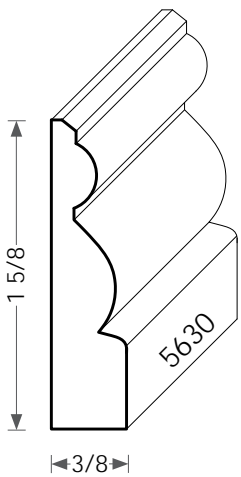
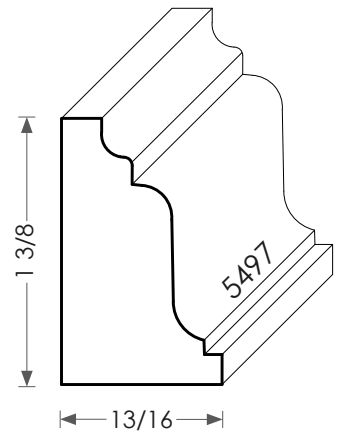
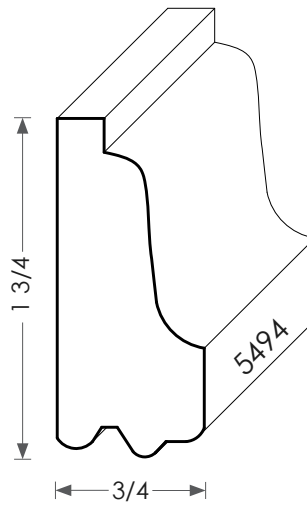
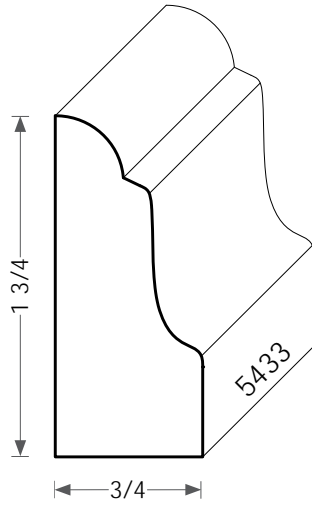
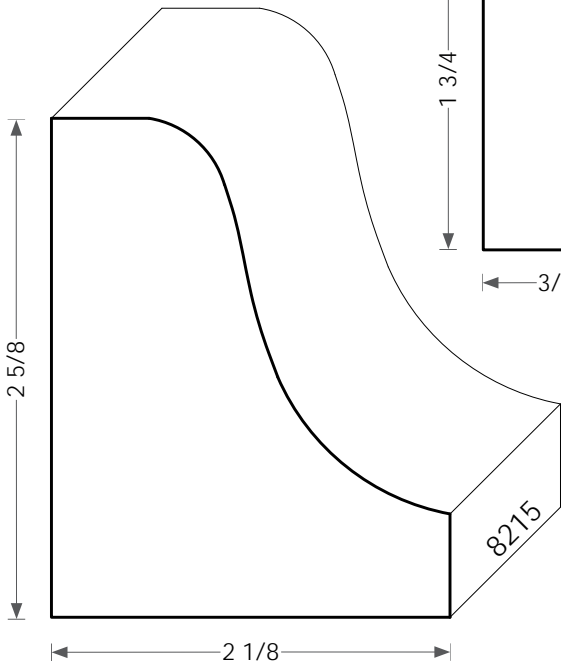
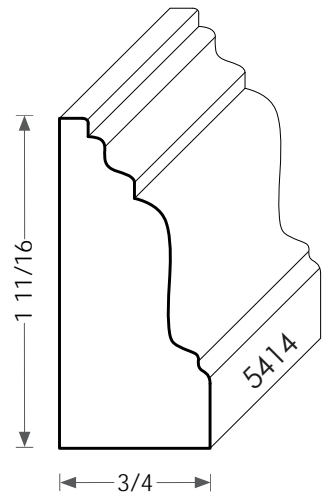
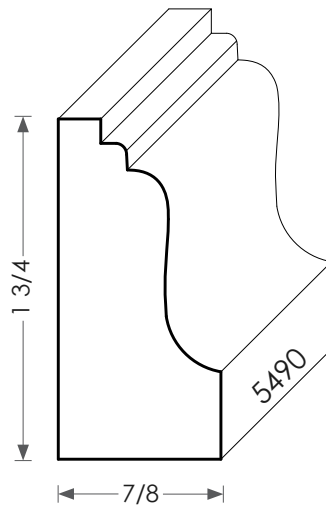
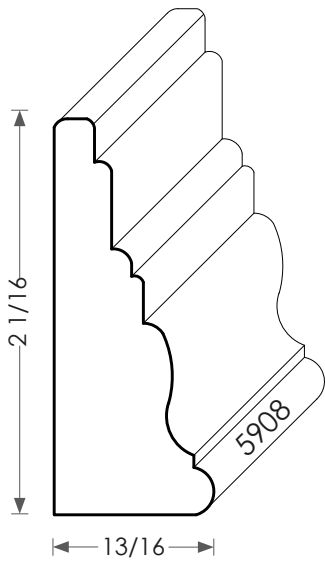
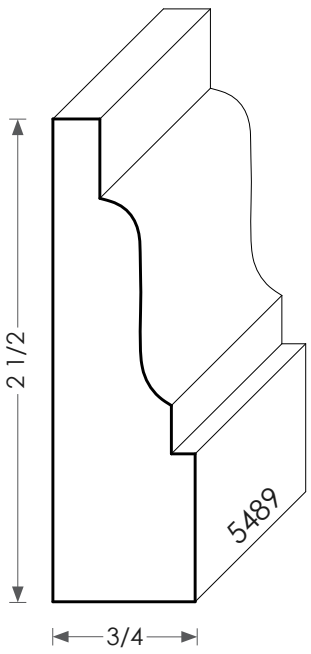


PANEL MOLD & BASE CAP

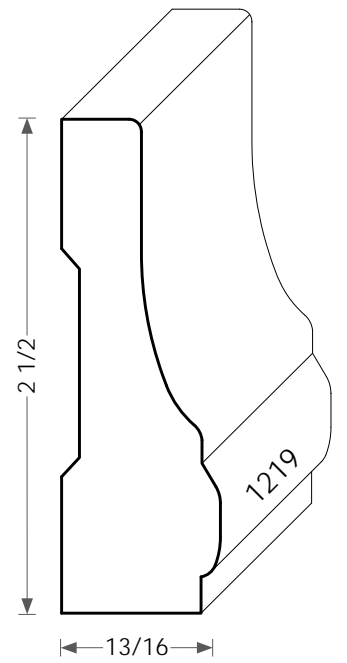
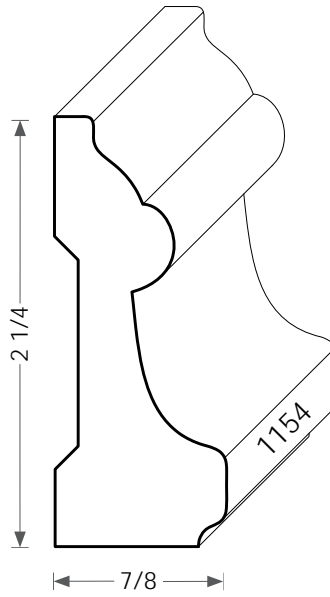
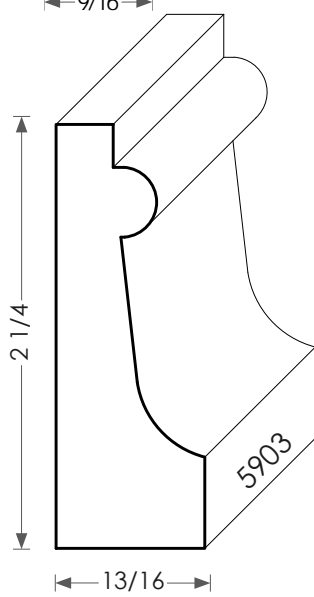
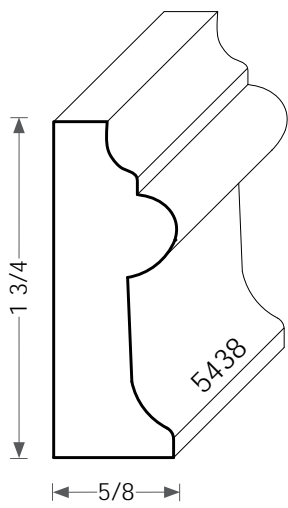
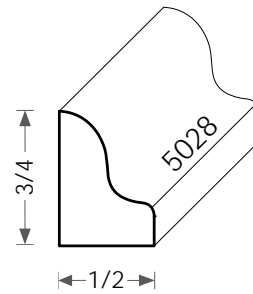
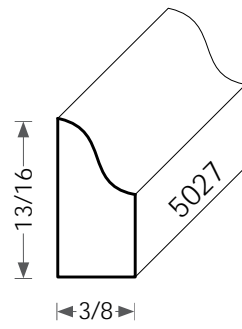
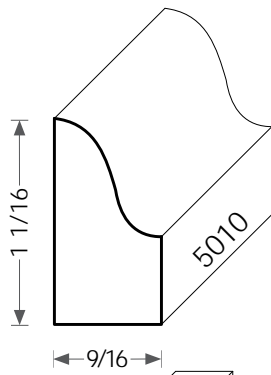
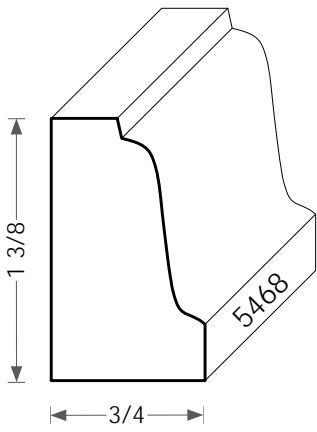
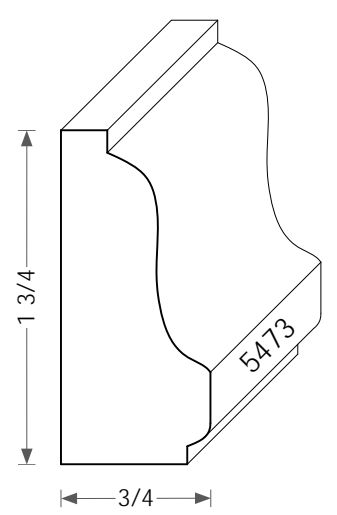
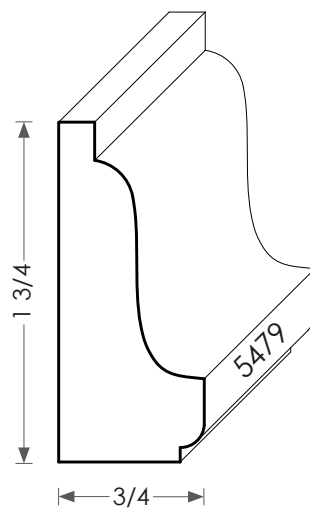
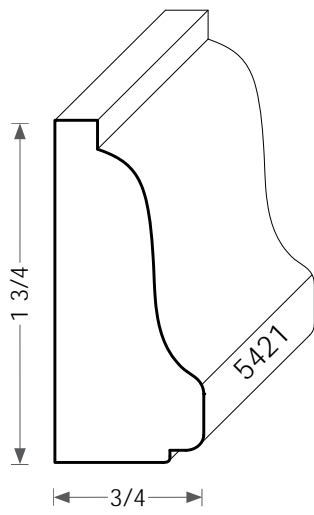
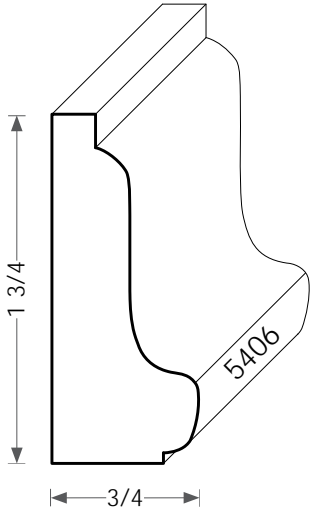
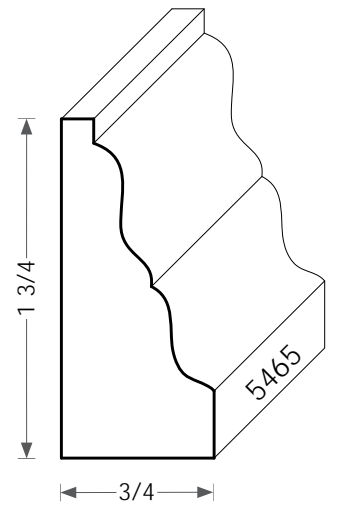
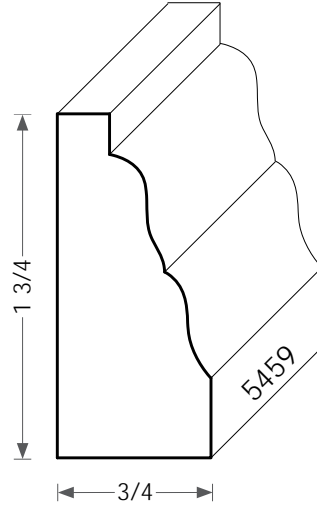
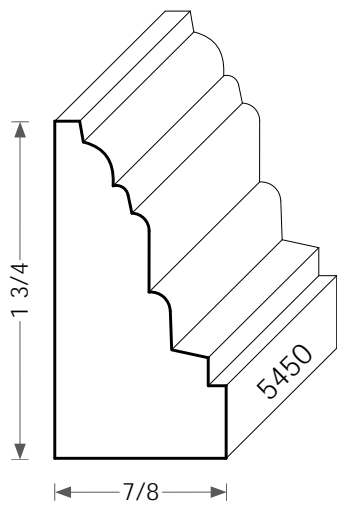
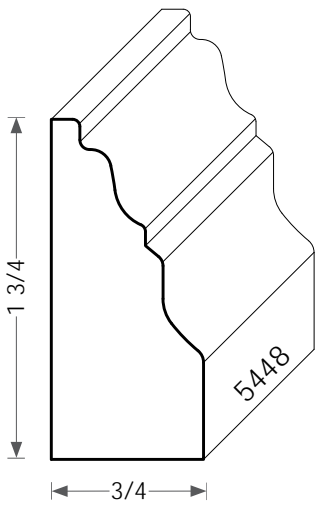


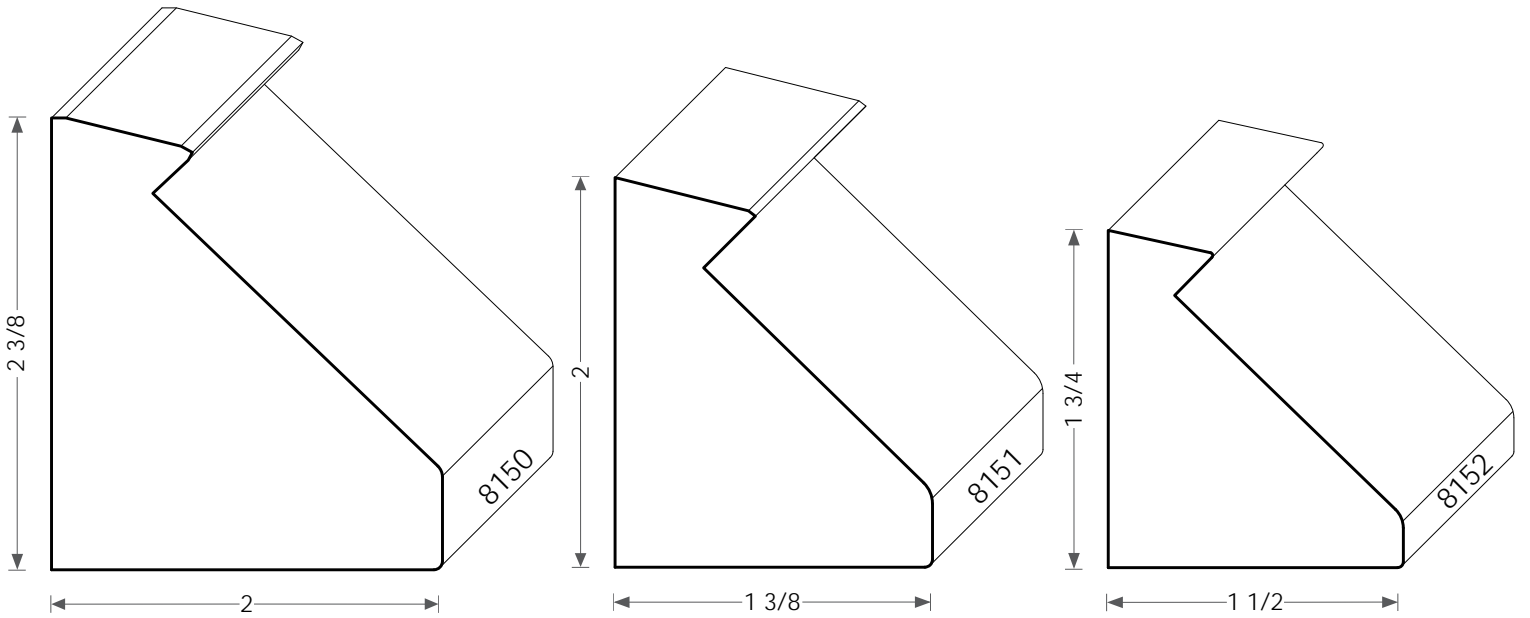
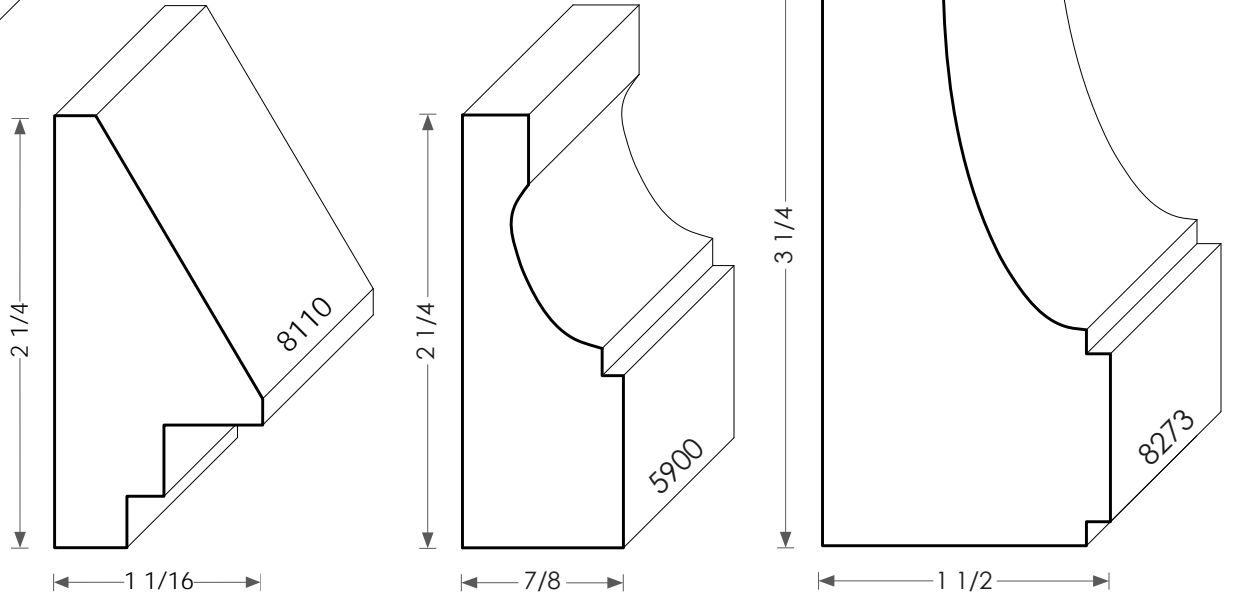
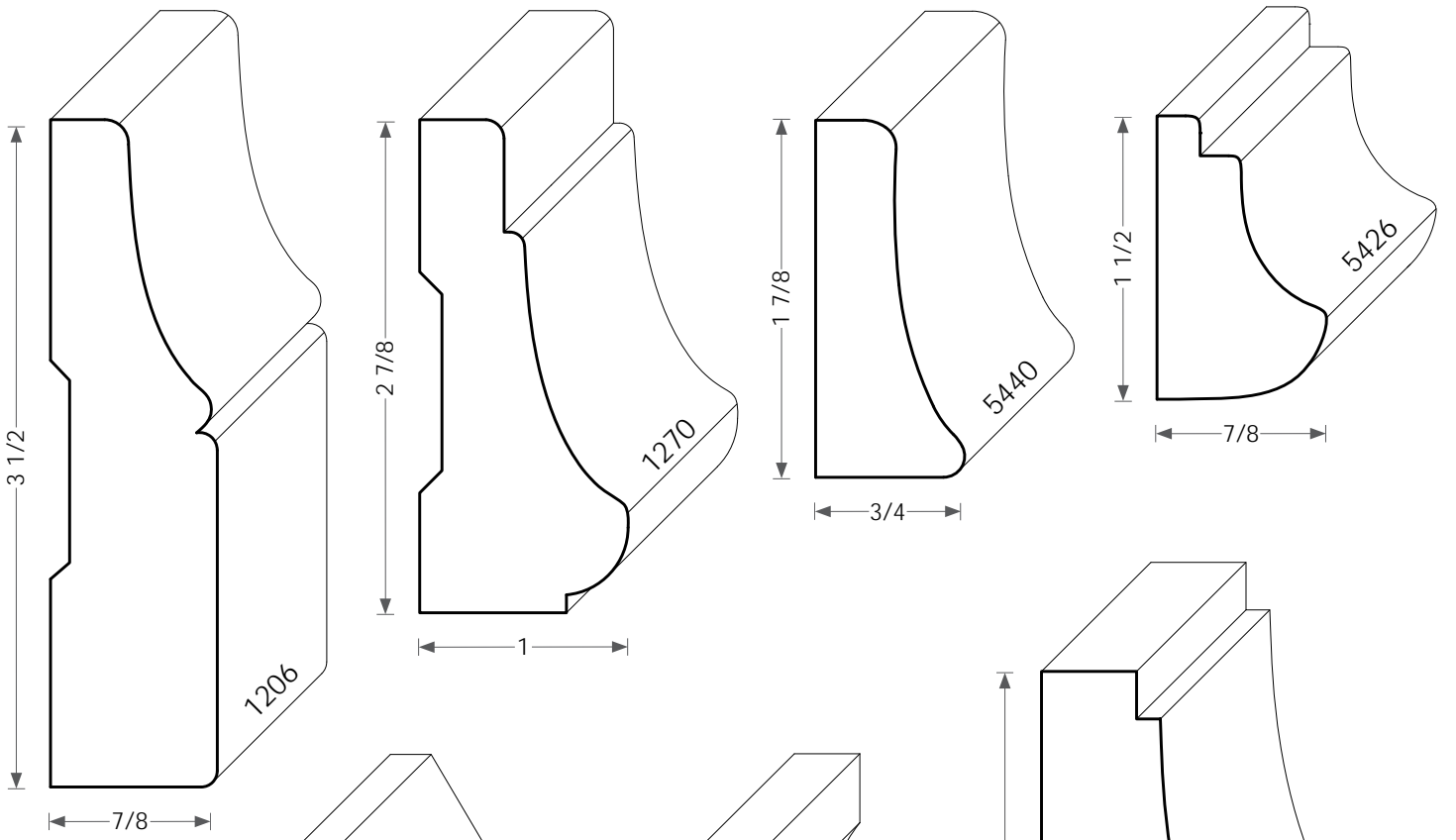


PANEL MOLD & BASE CAP

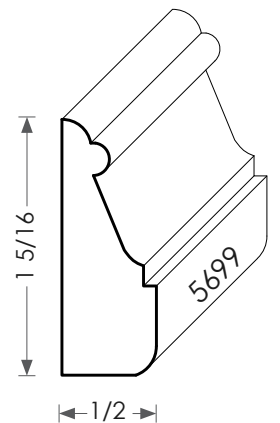
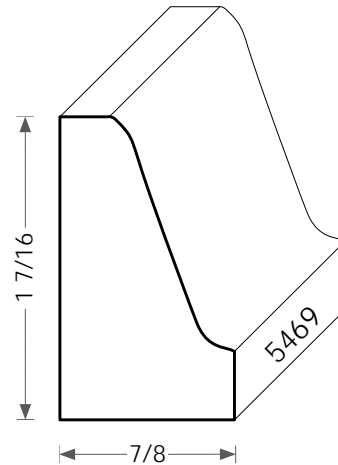
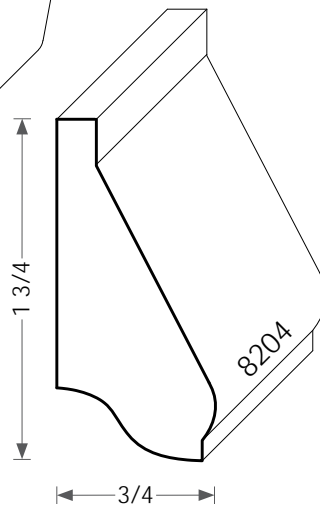
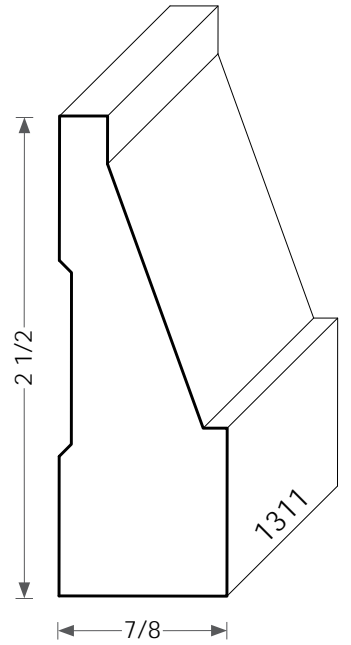
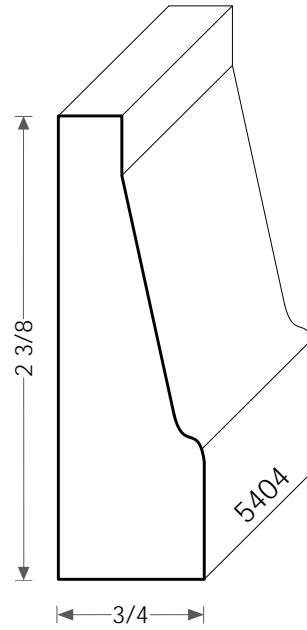
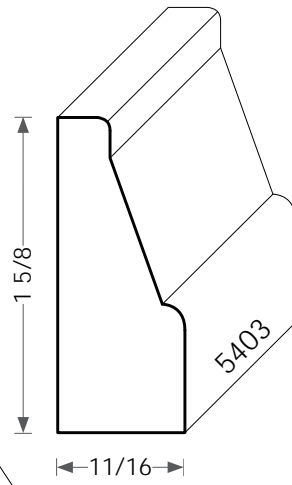
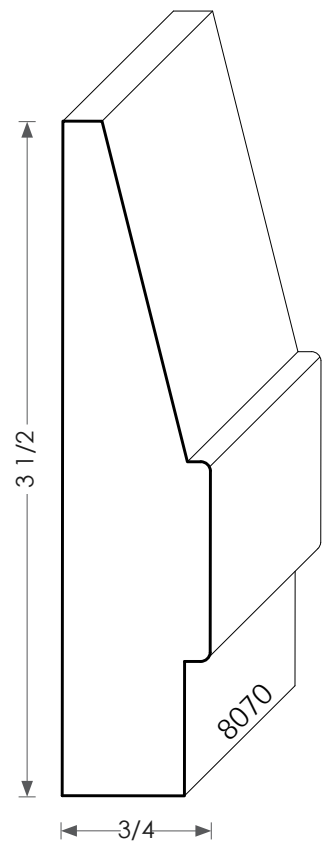
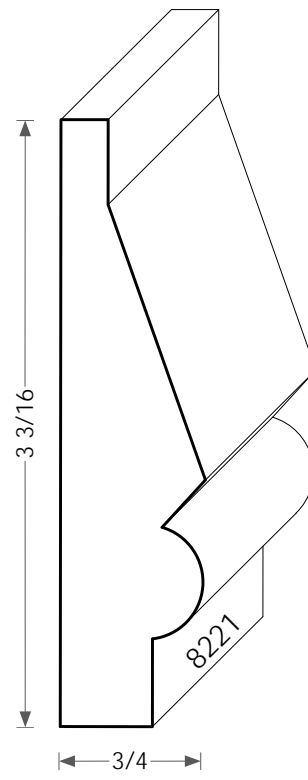
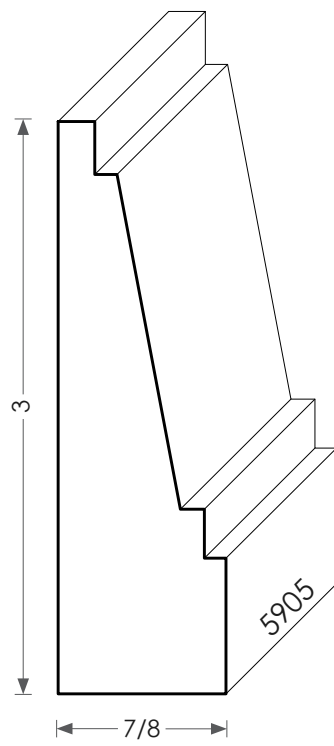
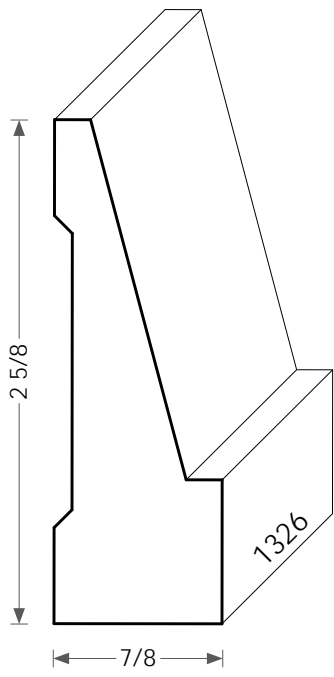






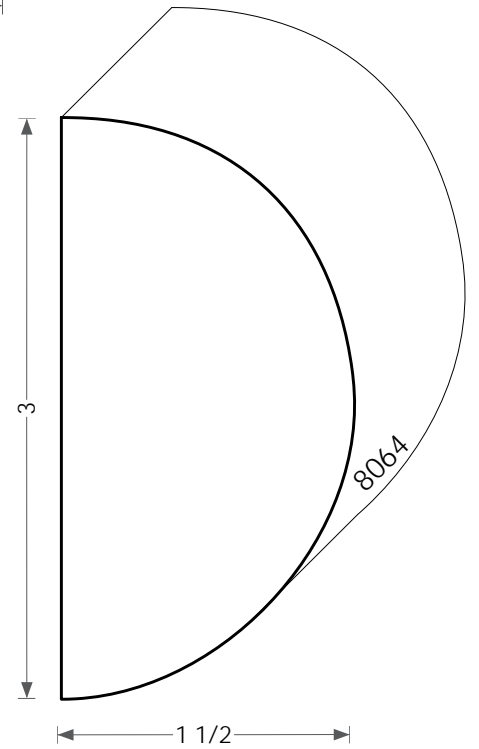
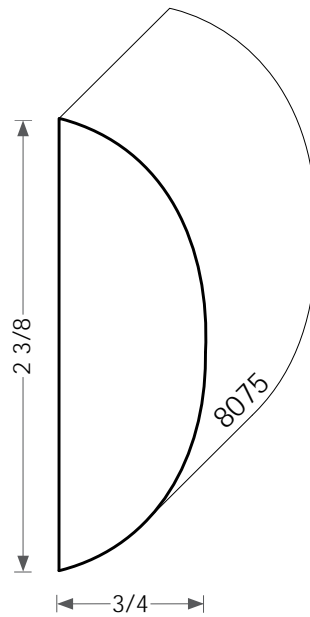
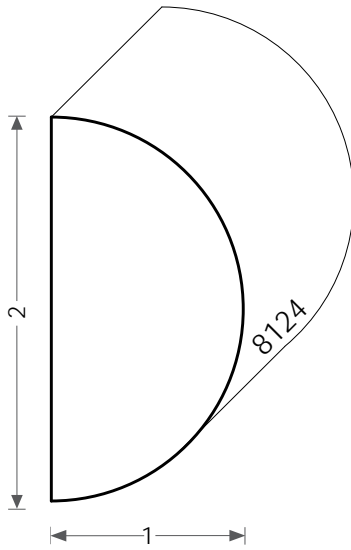
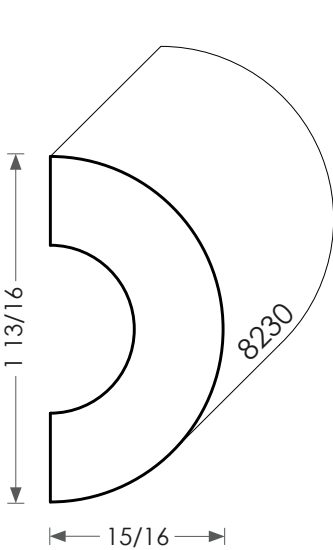
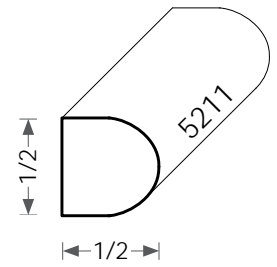
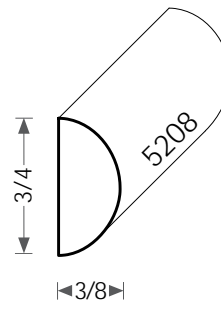
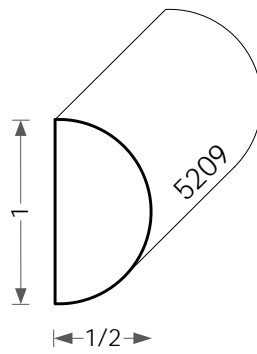
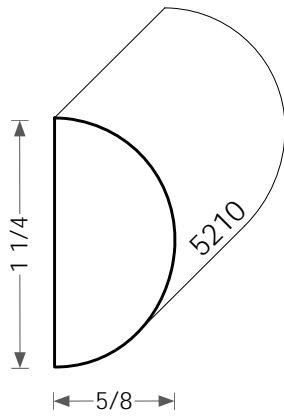
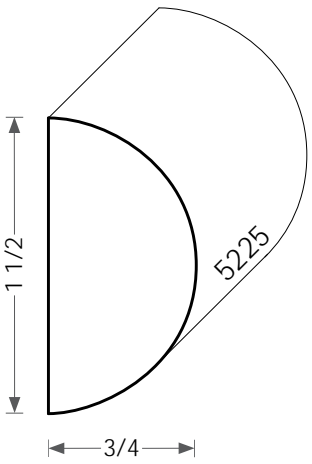
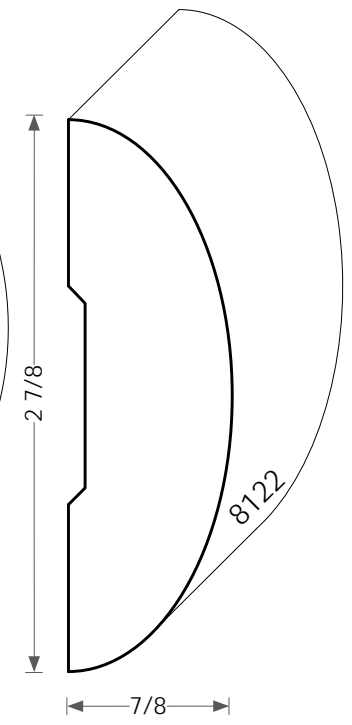
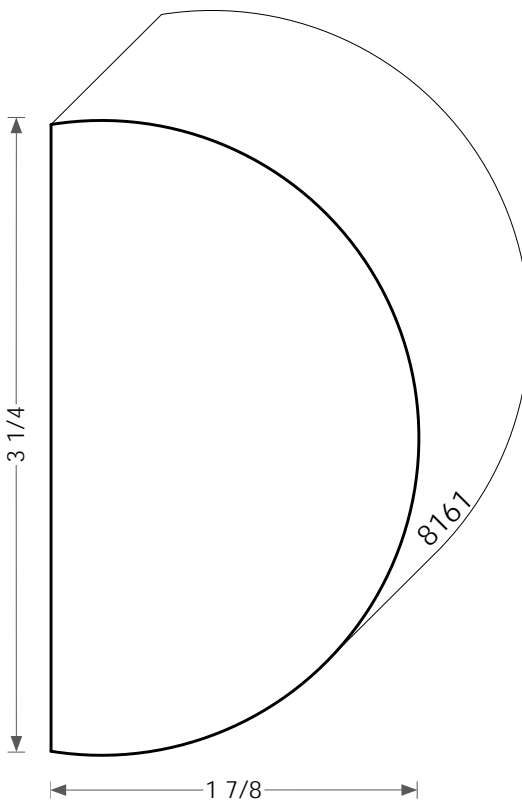
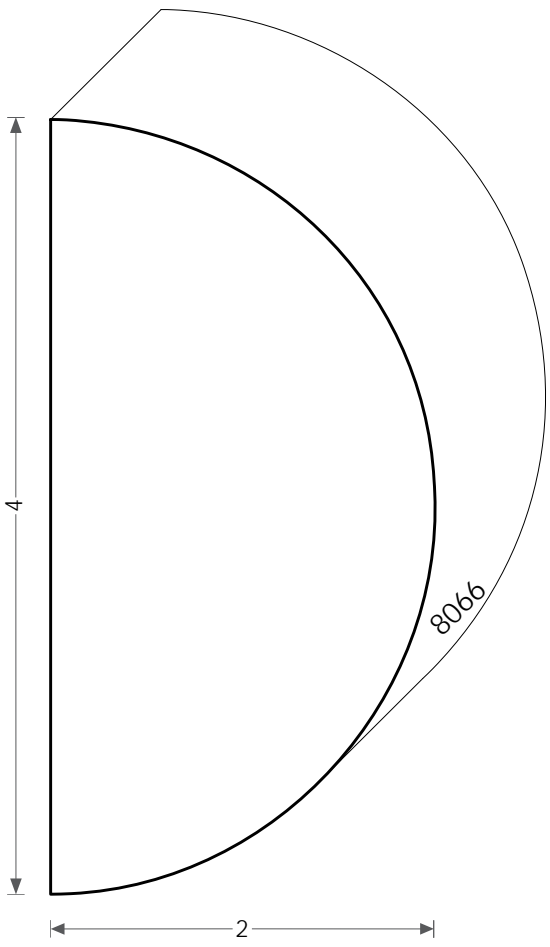


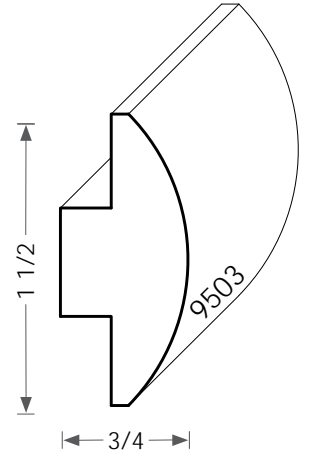
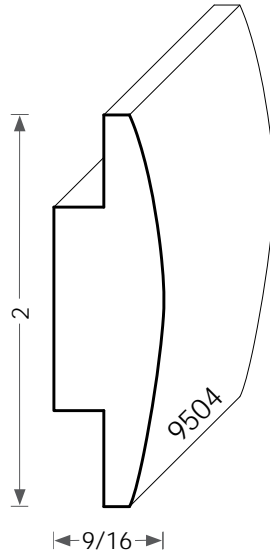
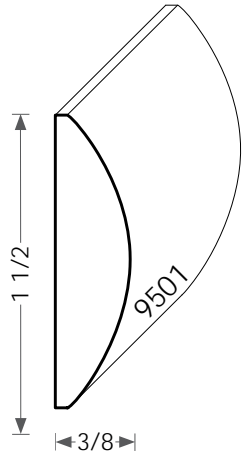
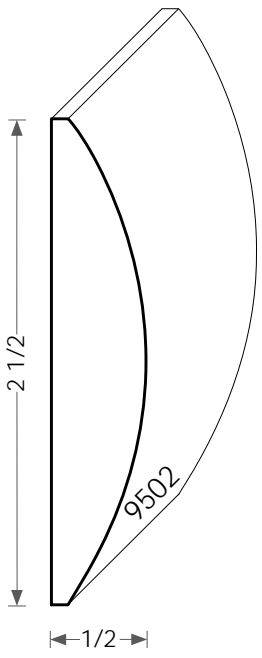
PANEL MOLD & BASE CAP



# PANEL MOLD & BASE CAP

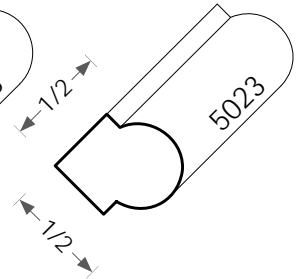
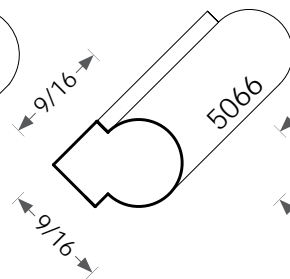
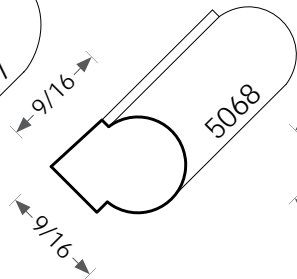
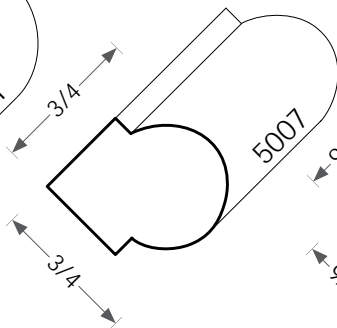
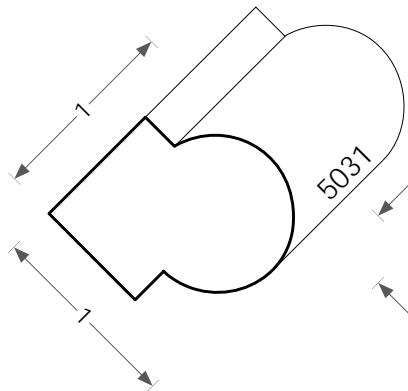
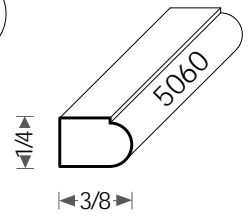
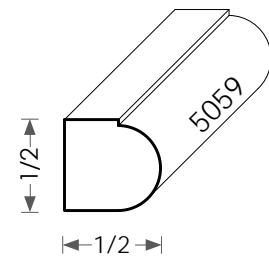
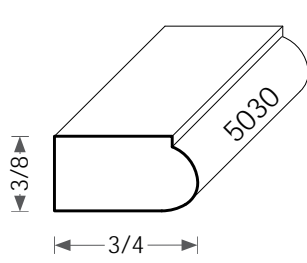
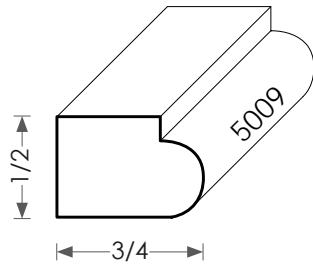
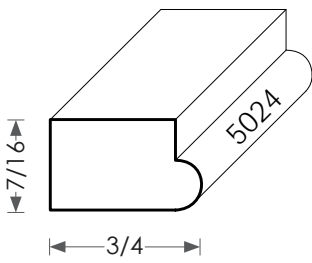
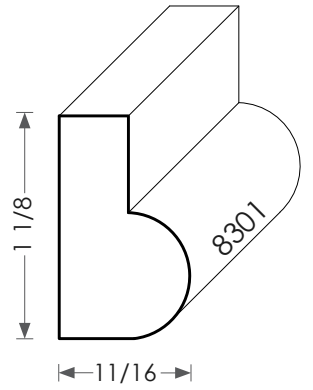
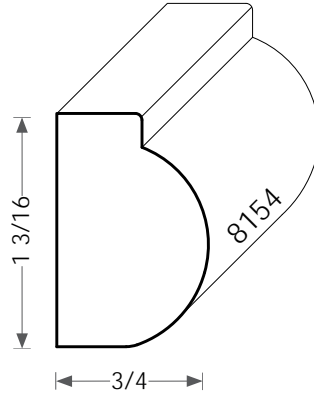
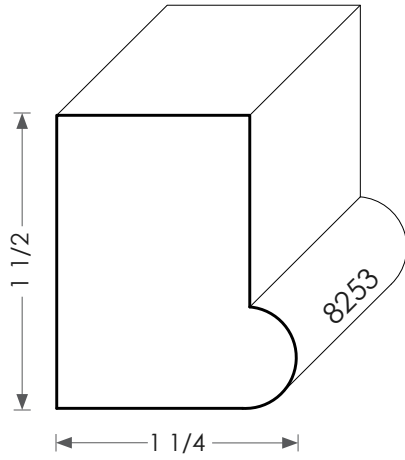
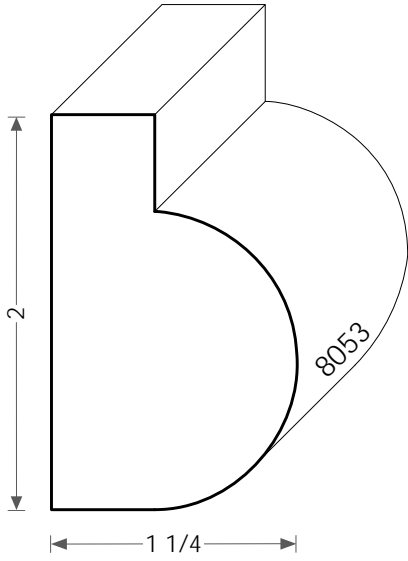
INCLINED, TORUS, HALF-ROUND



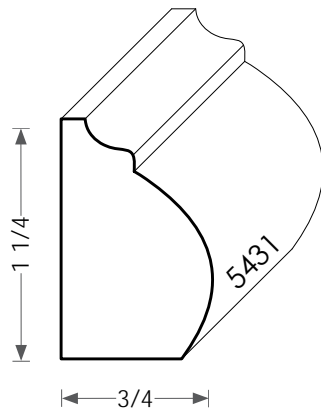
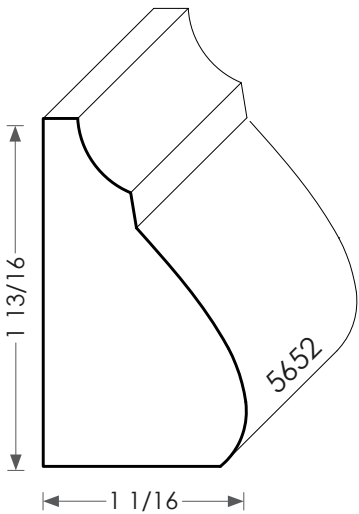
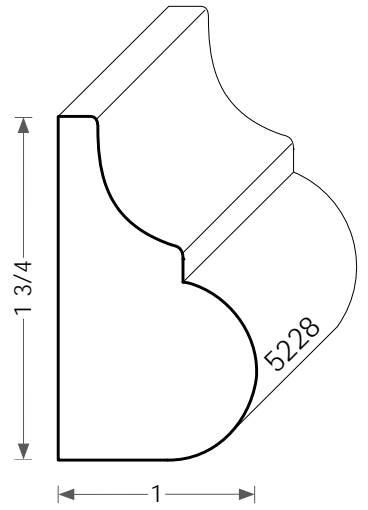
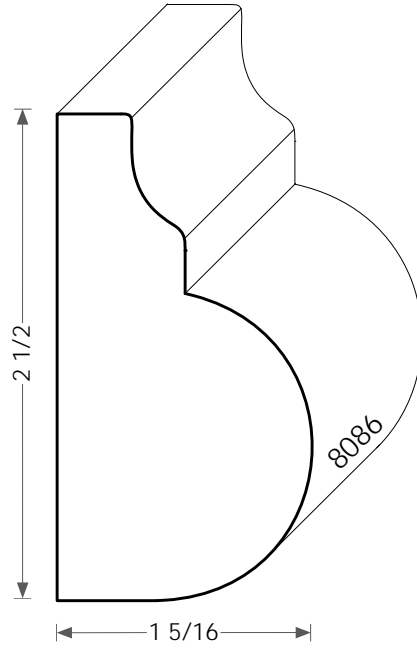
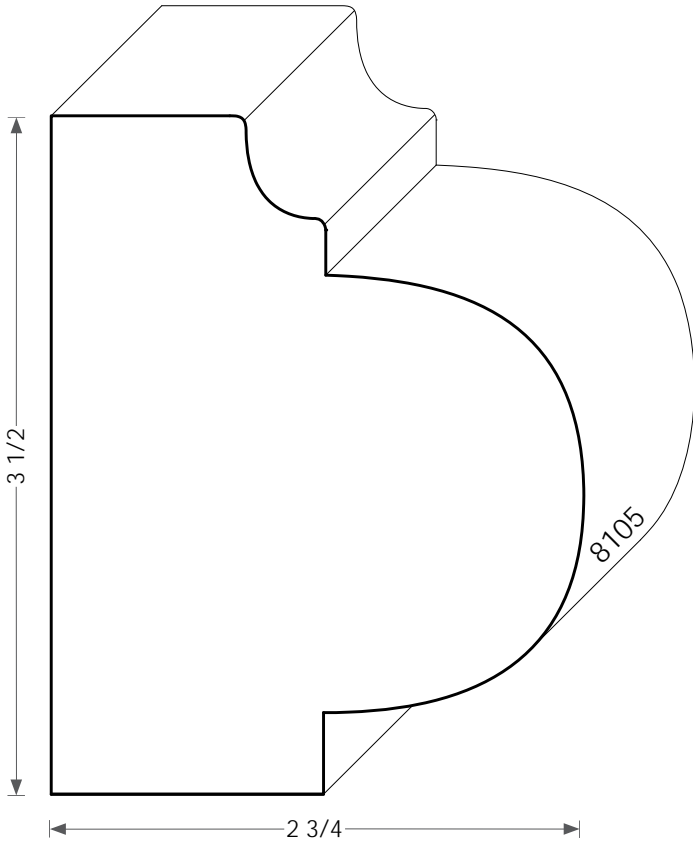
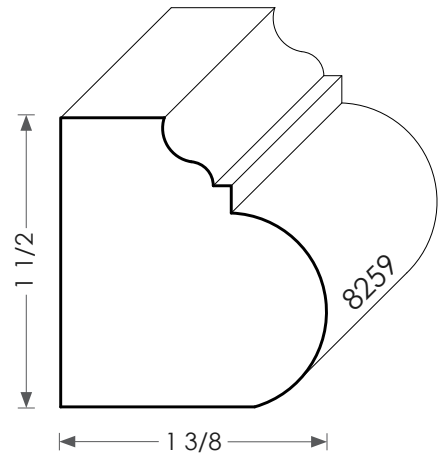
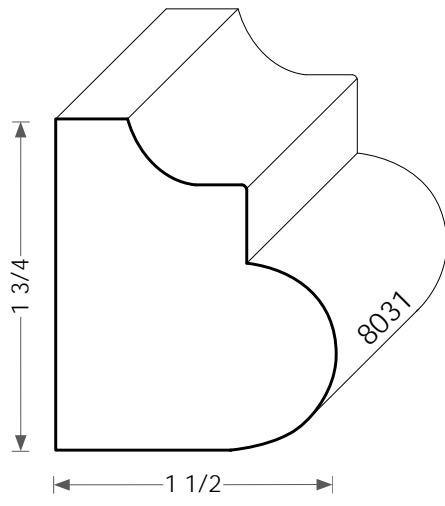
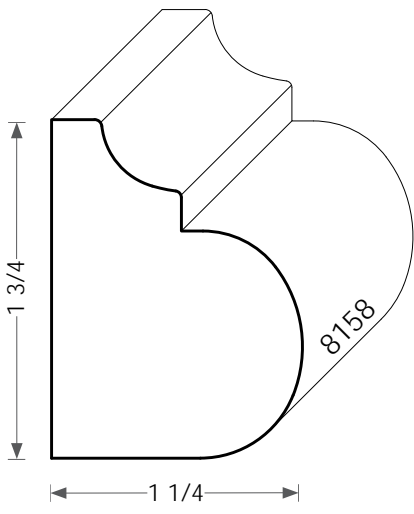


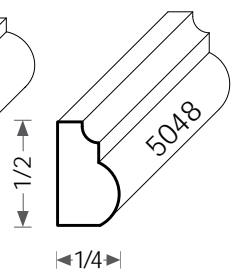
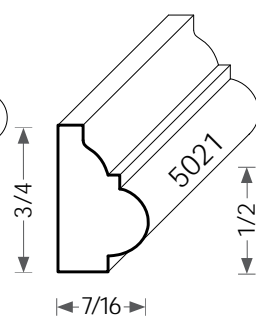
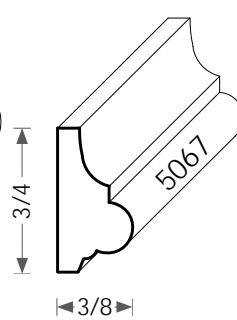
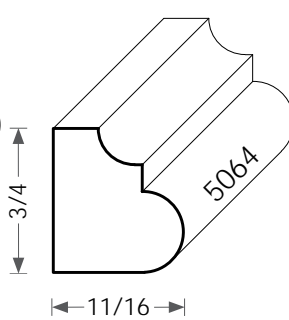
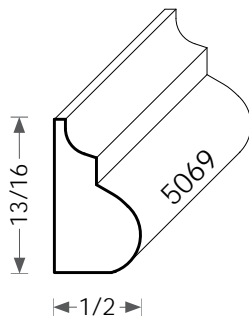
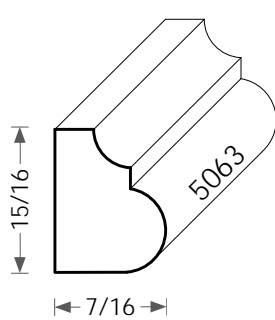
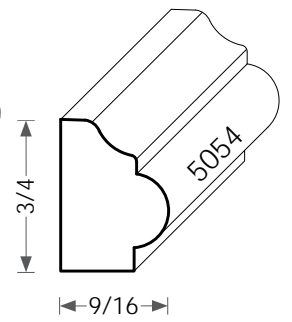
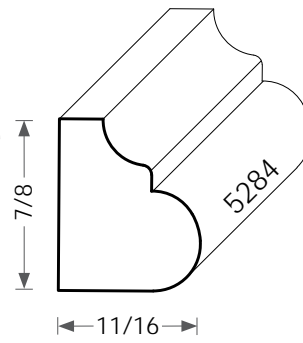
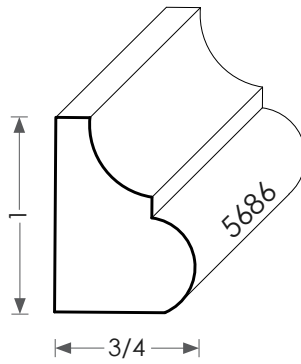
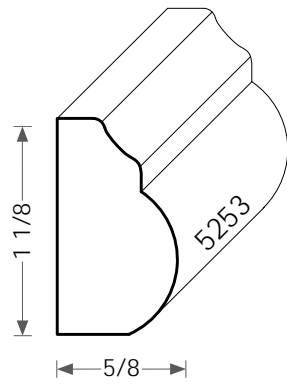
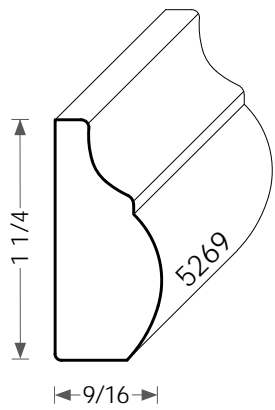
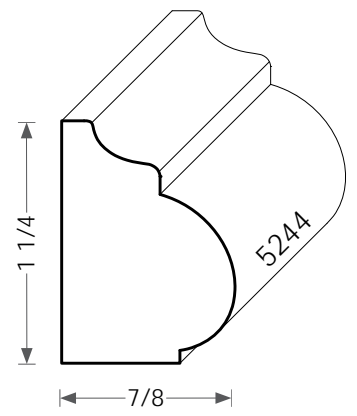
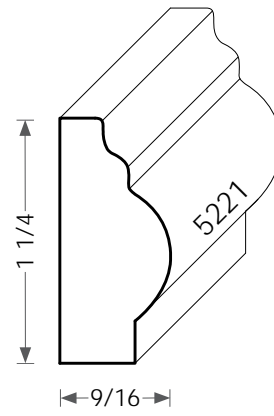
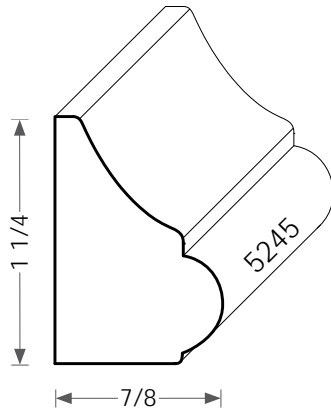
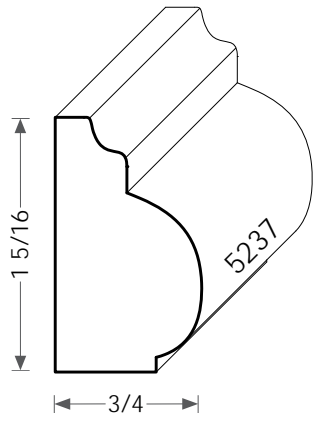
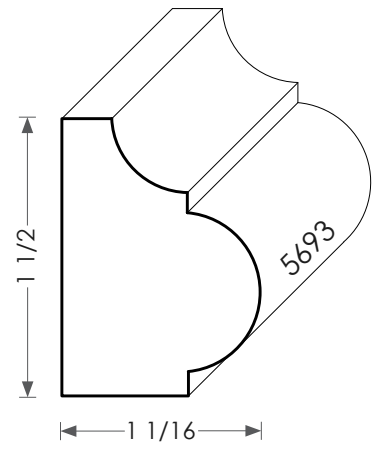
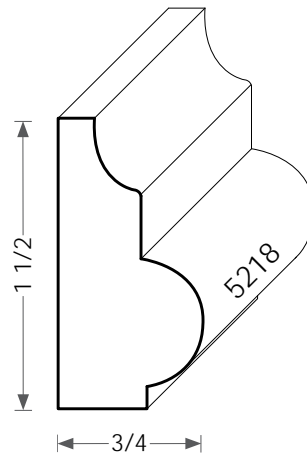
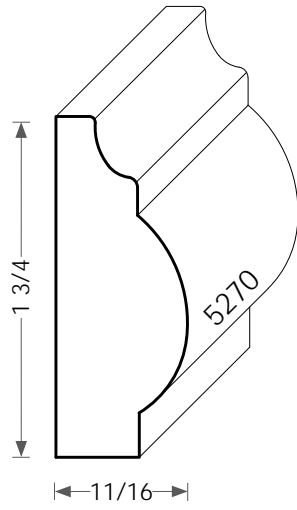
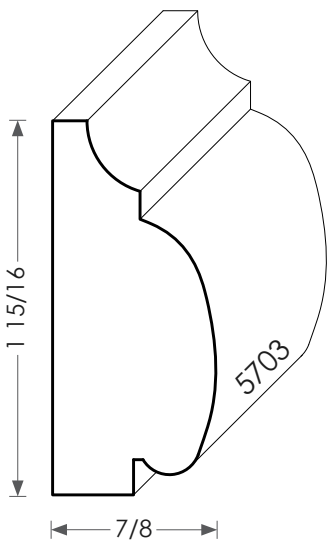
RABBET  $\frac{1}{4}H \times \frac{1}{2}W$

RABBET  $\frac{1}{4}H \times \frac{1}{2}W$

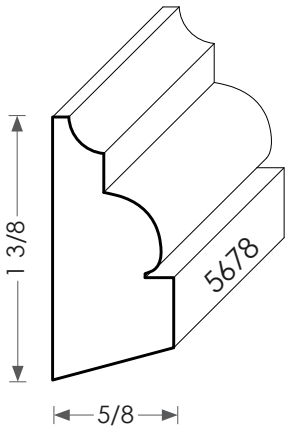
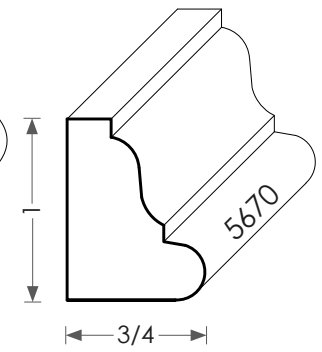
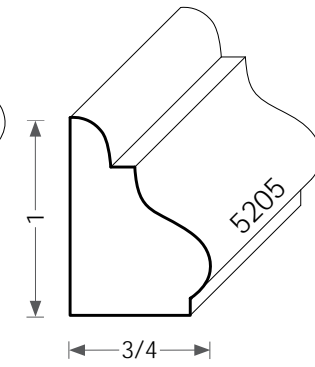
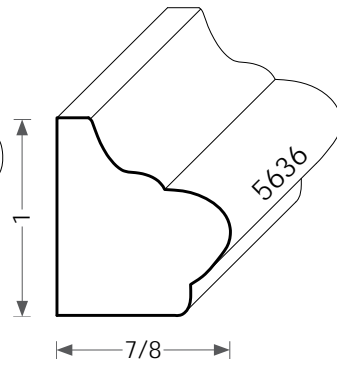
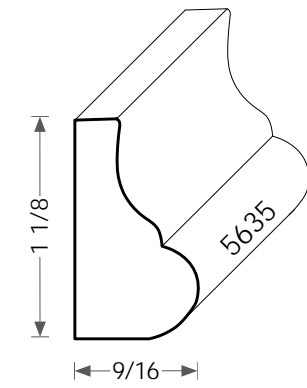
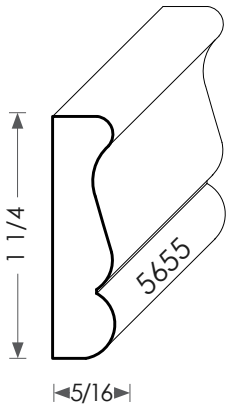
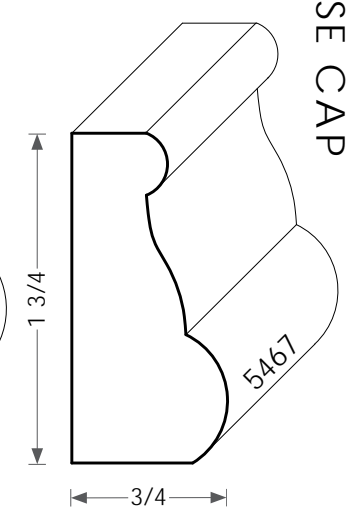
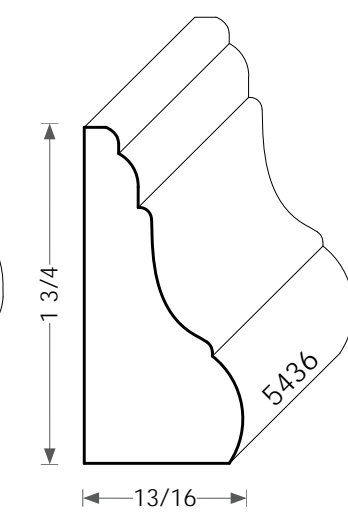
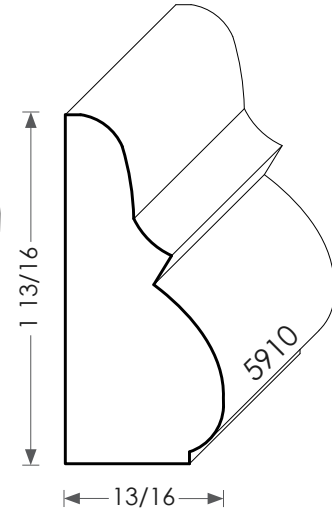
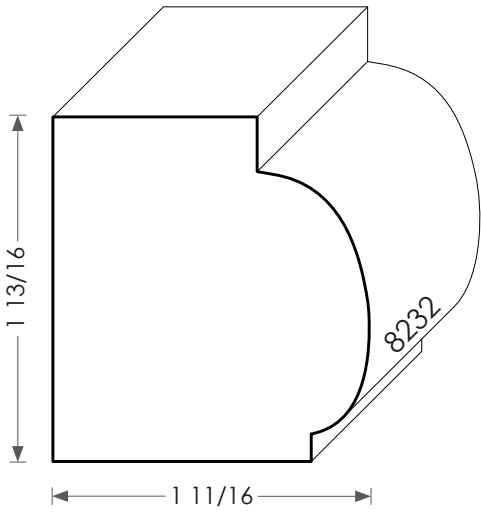
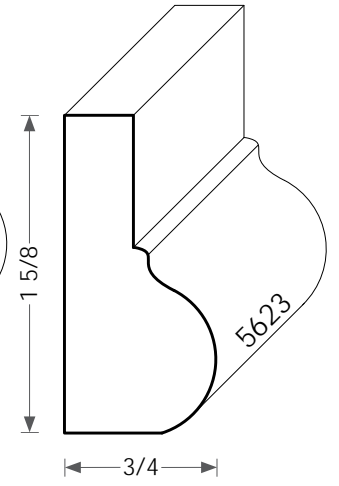
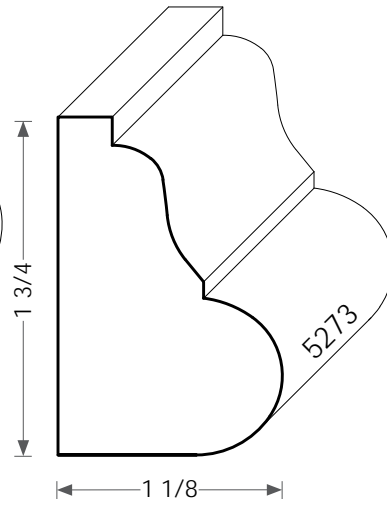
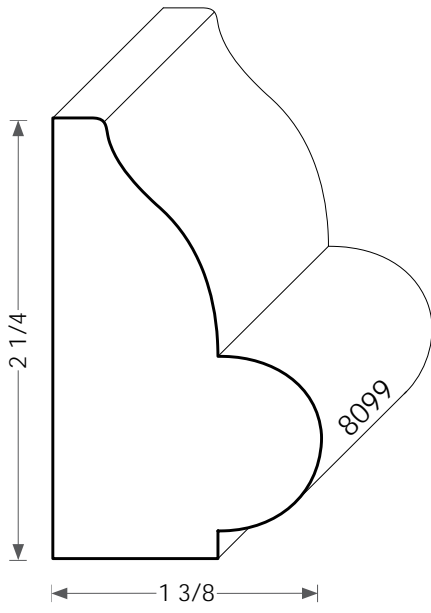
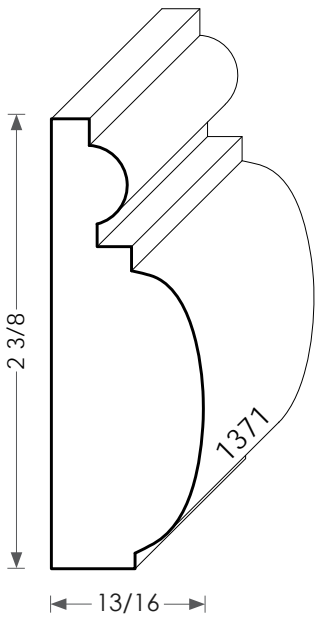


PANEL MOLD & BASE CAP  
BEADS, QUIRKS

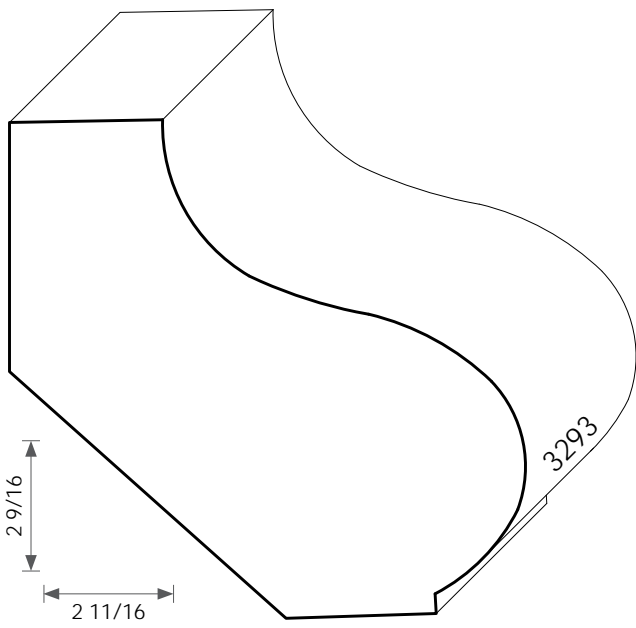




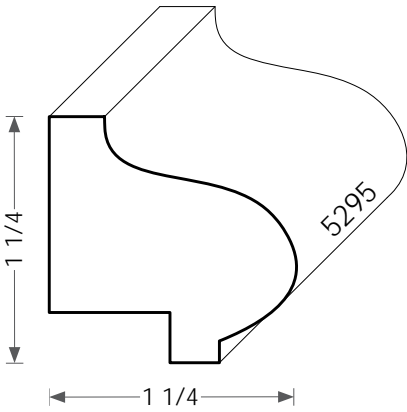
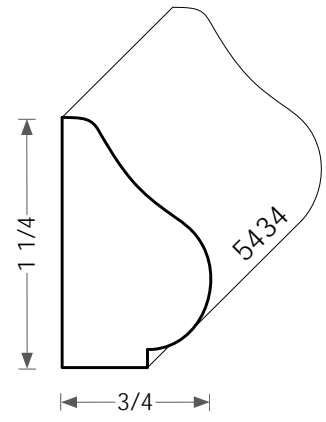
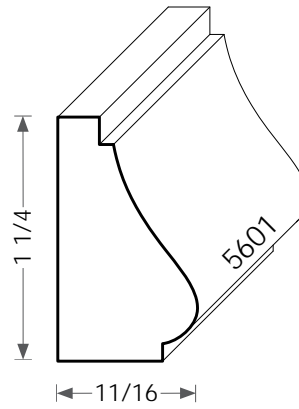
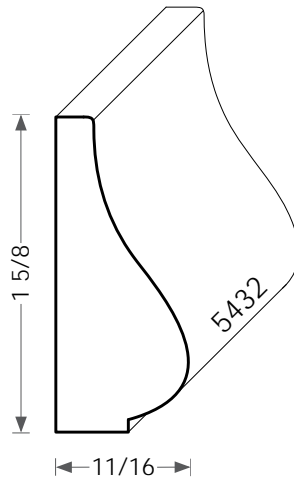
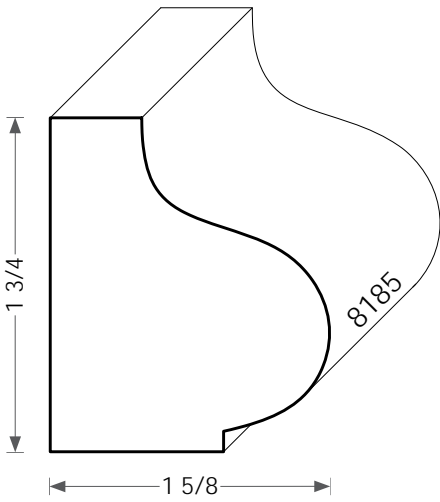
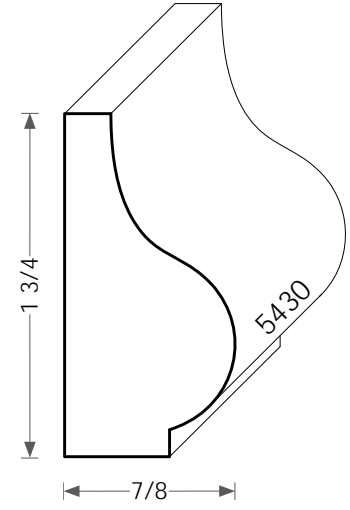
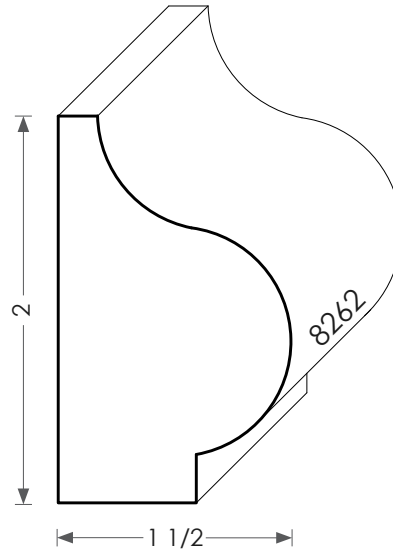
PANEL MOLD & BASE CAP



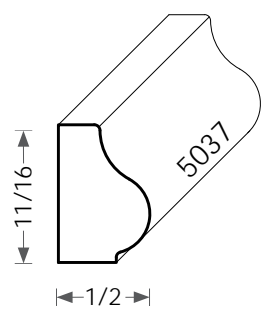
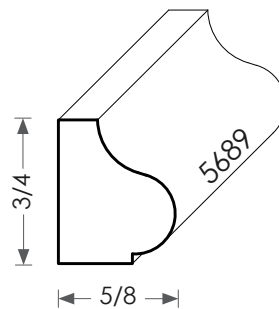
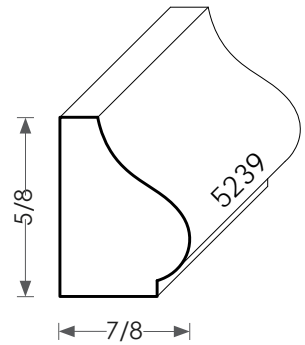
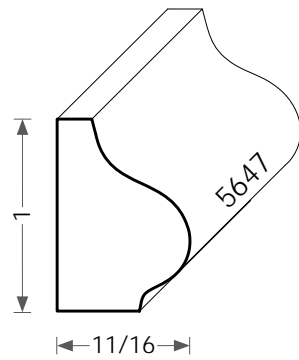
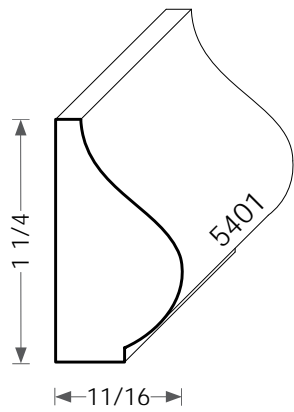




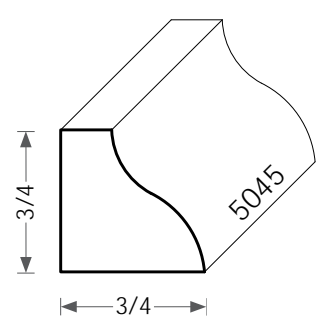
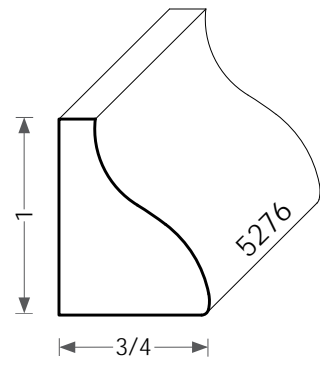
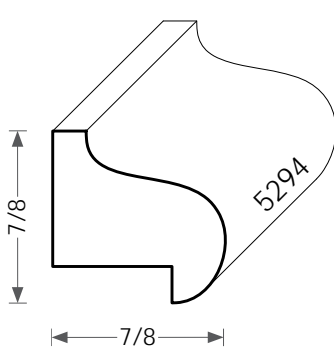
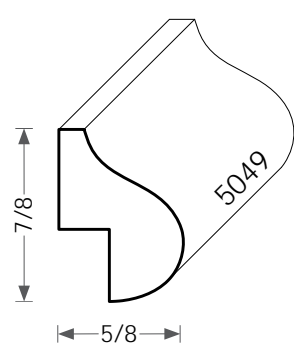
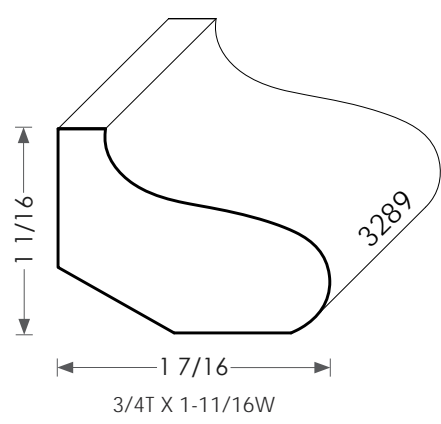
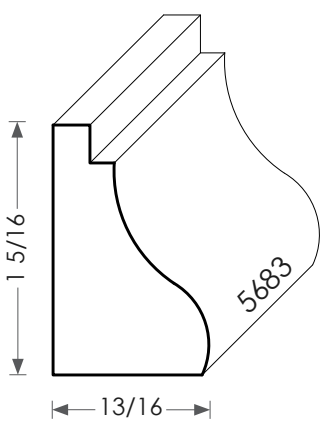
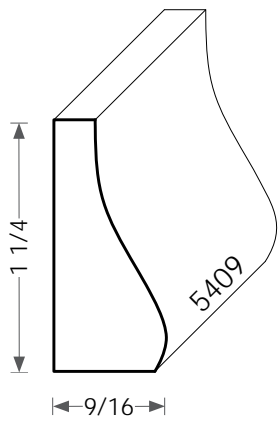
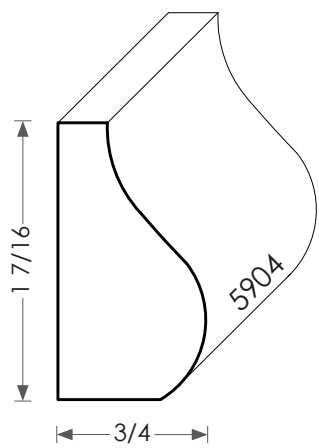
1-5/8T X 3-3/8W



RABBET 1/4 X 5/8

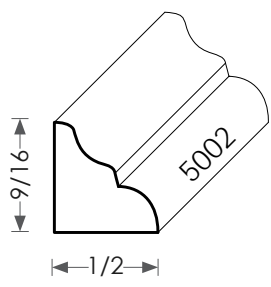
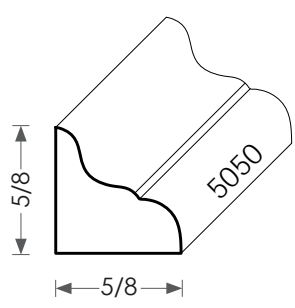
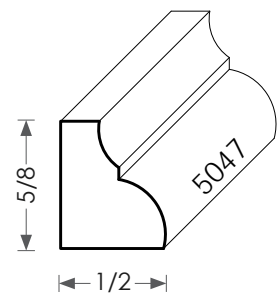
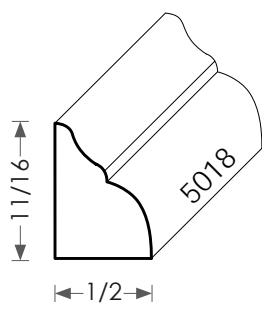
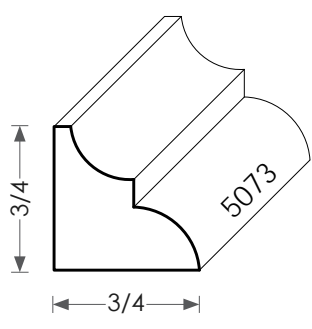
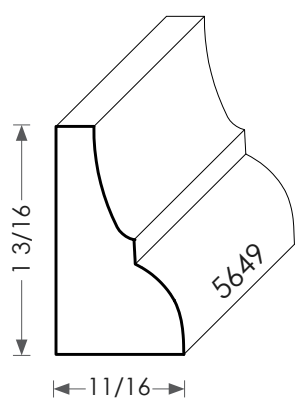
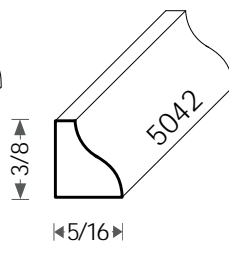
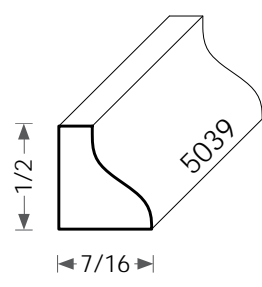
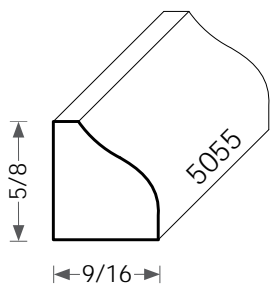
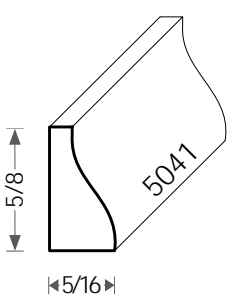
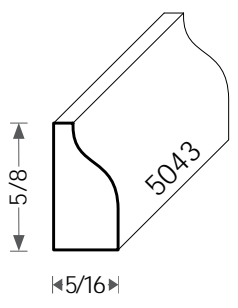
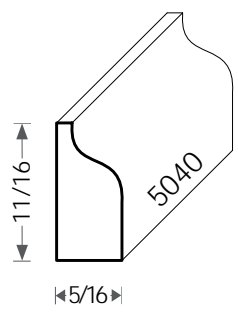


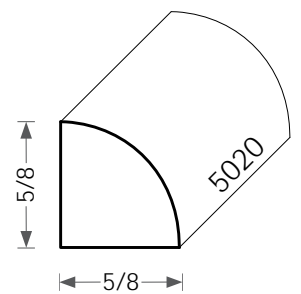
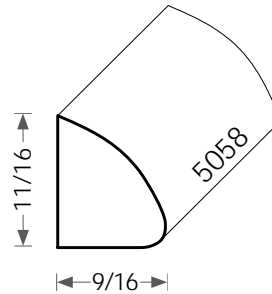
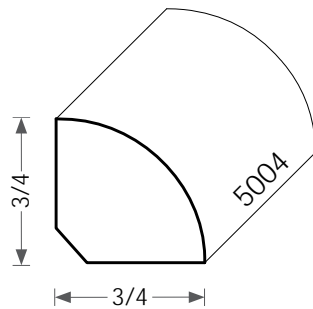
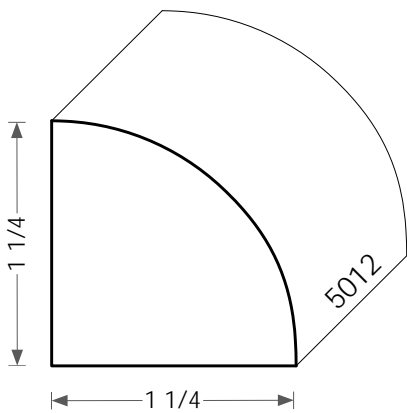
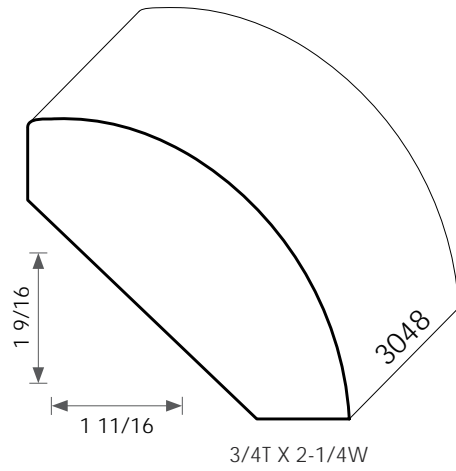
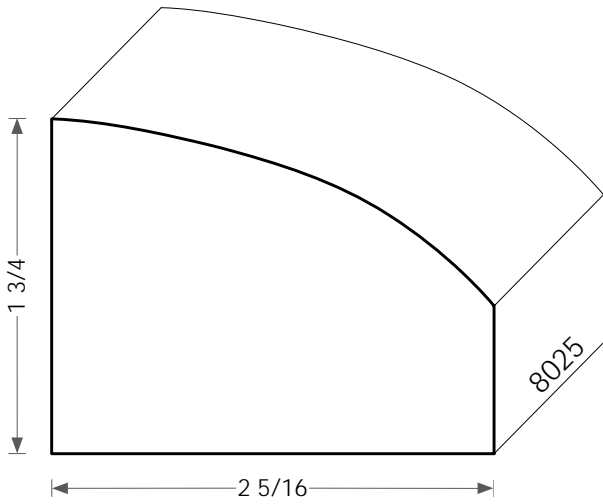
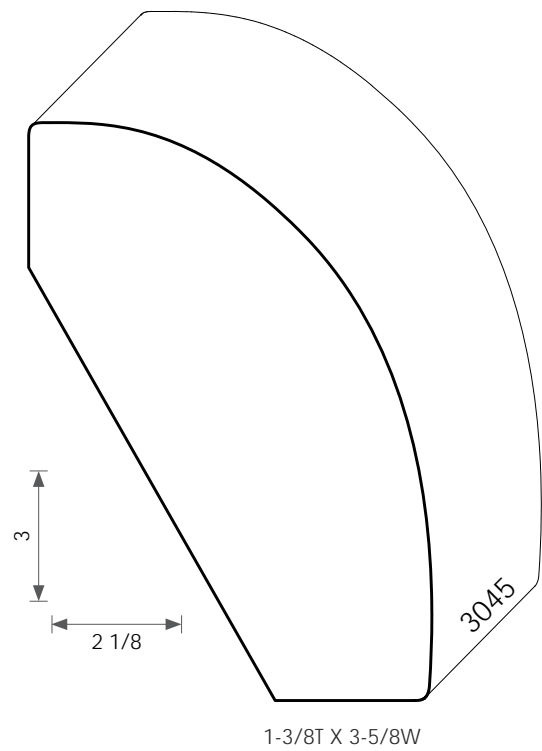
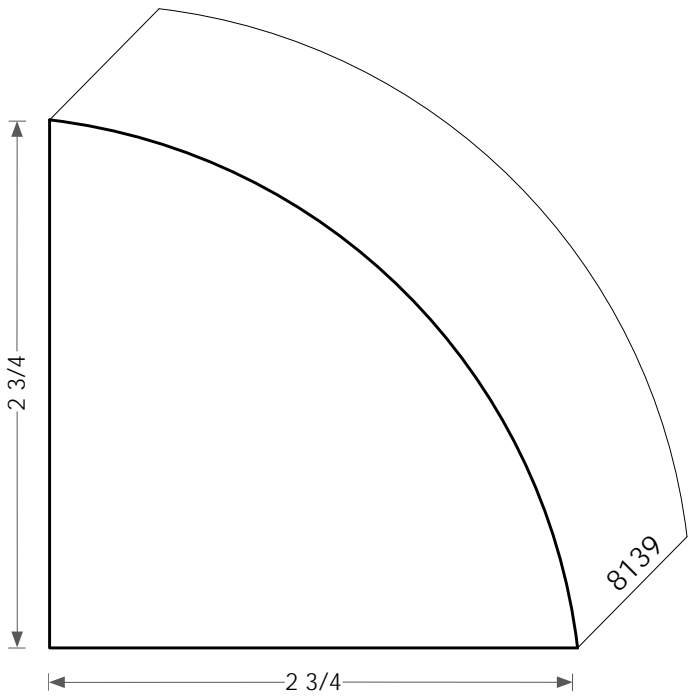
PANEL MOLD & BASE CAP



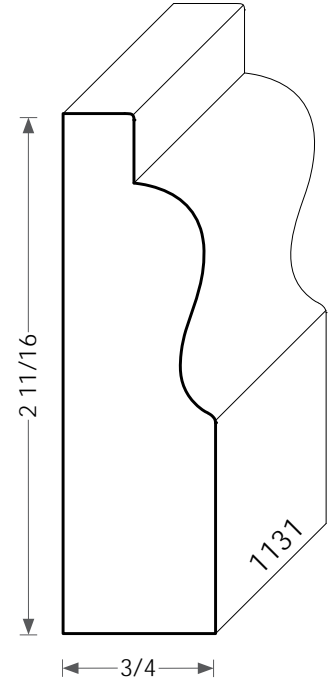
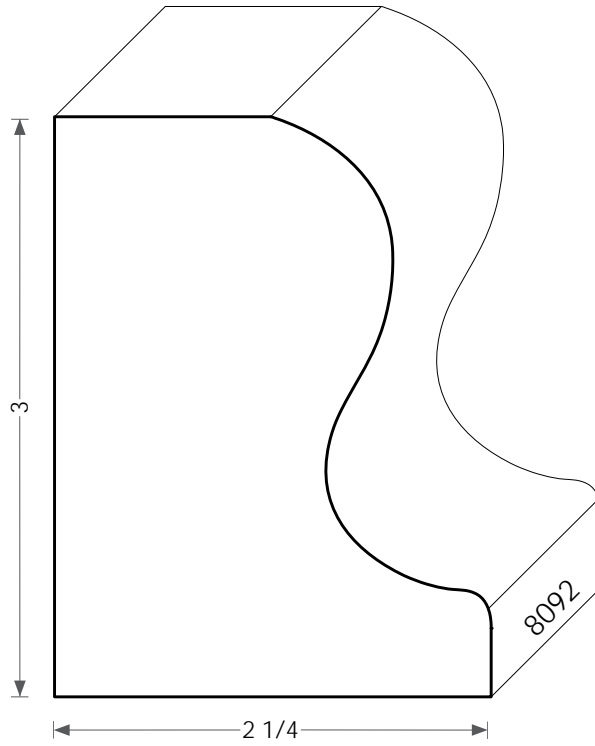
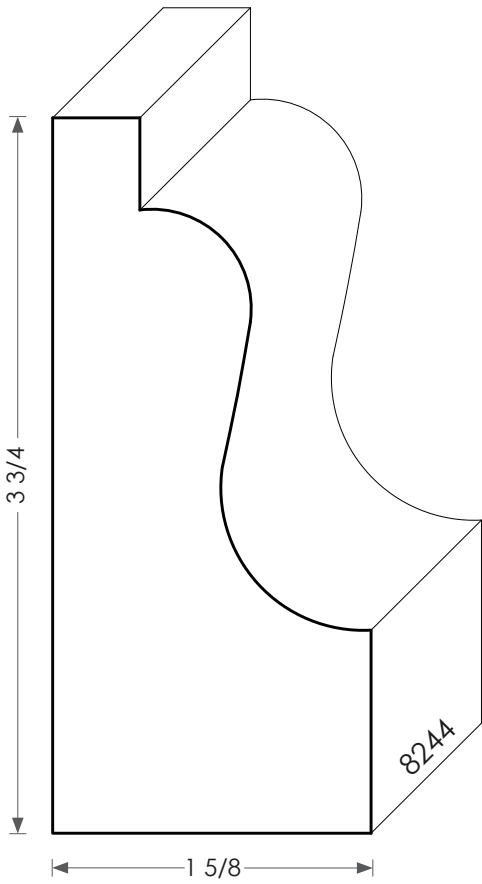
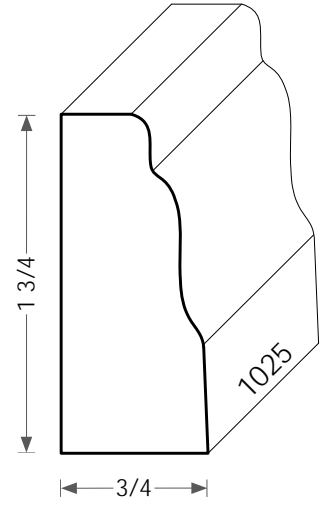
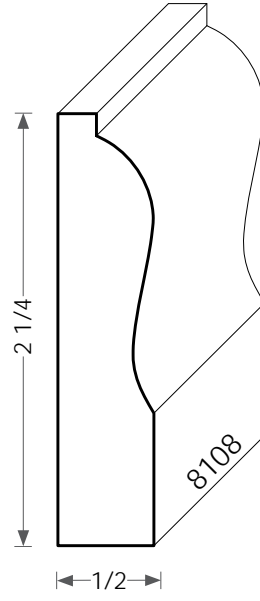
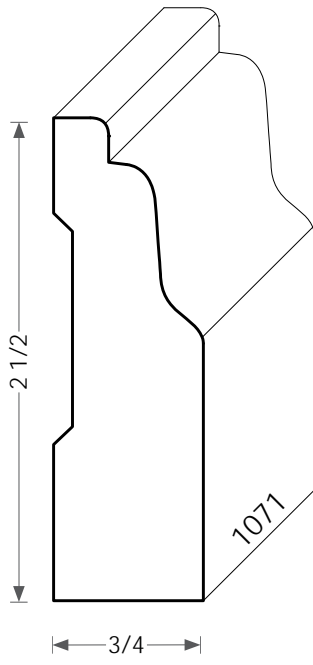
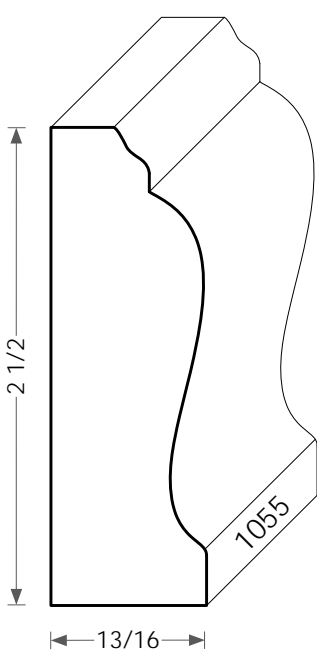
RABBET 1/4 X 3/8

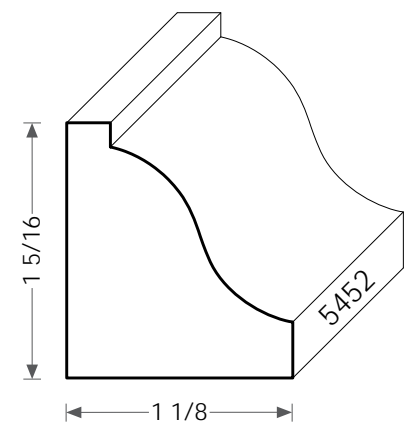
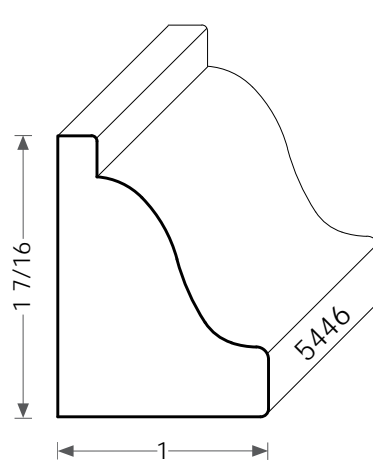
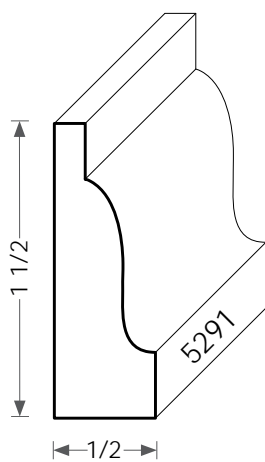
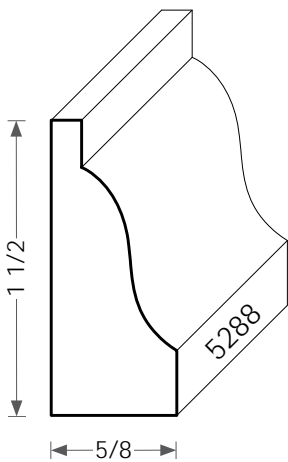
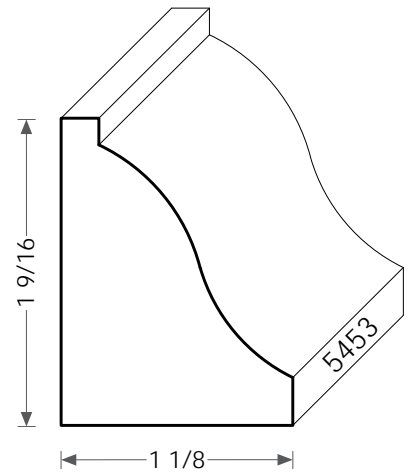
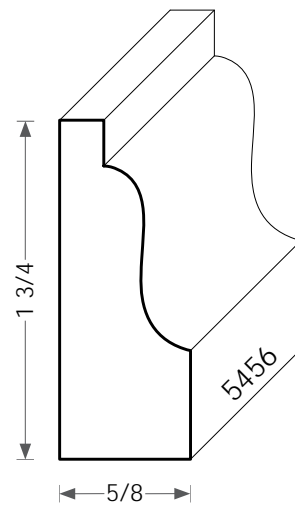
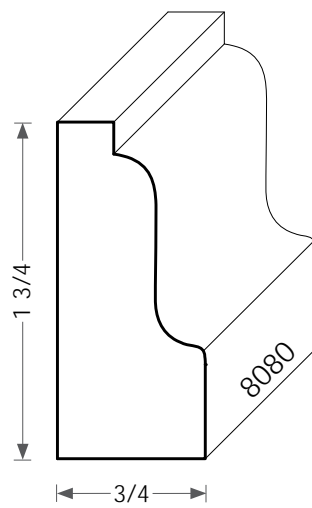
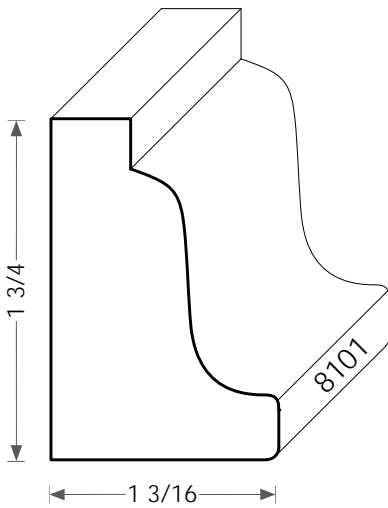
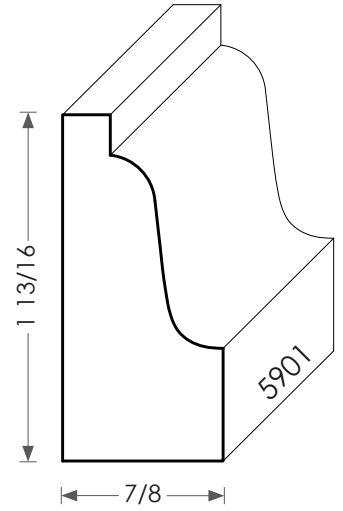
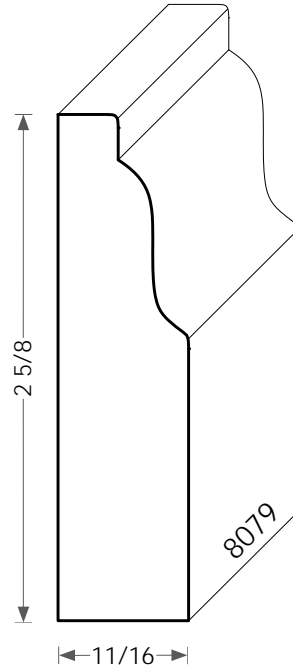
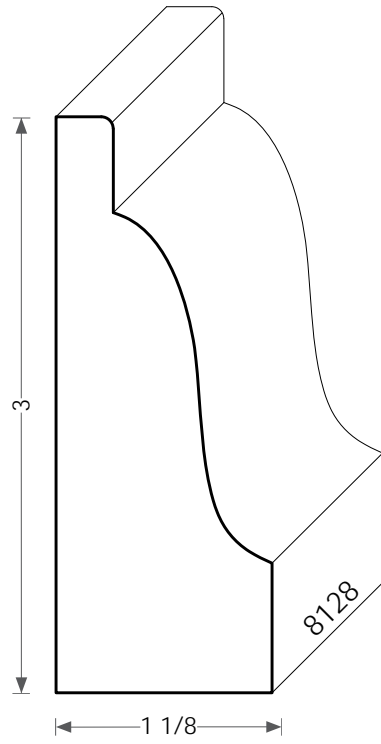
RABBET 3/16 X 5/8



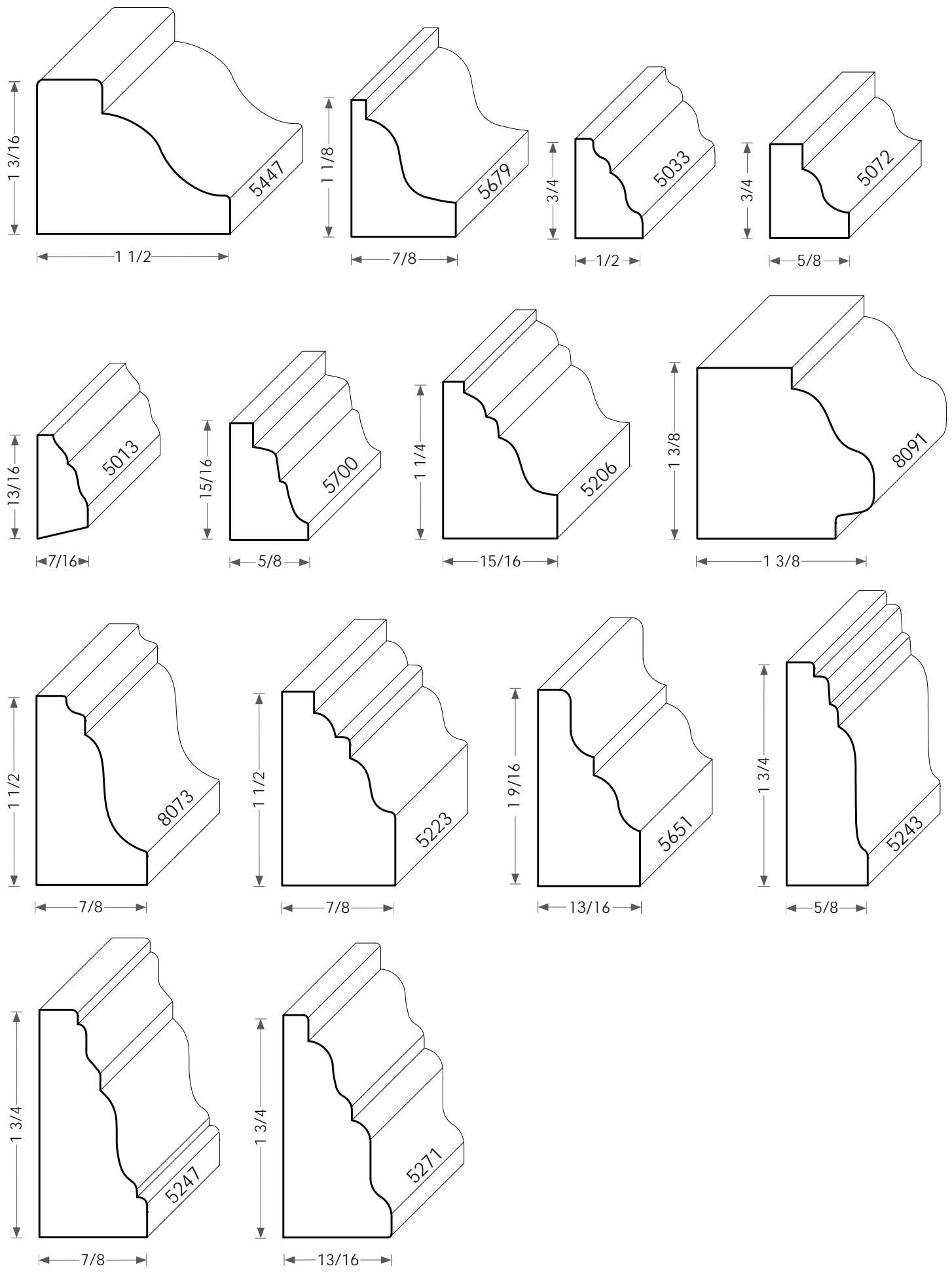


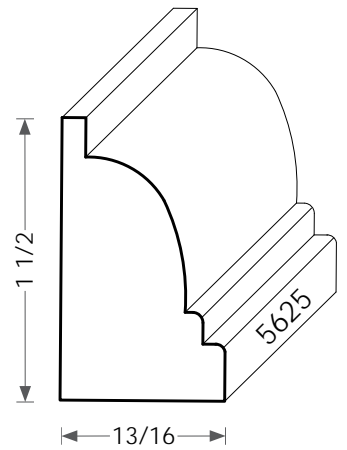
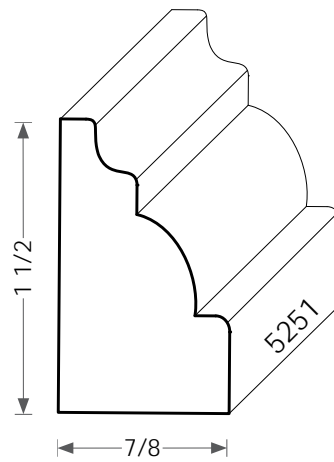
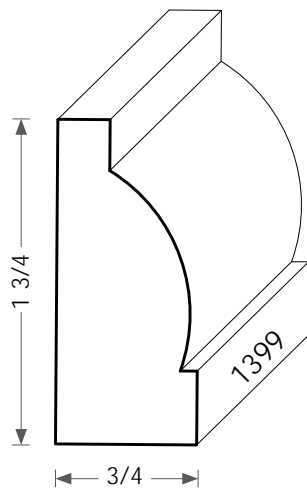
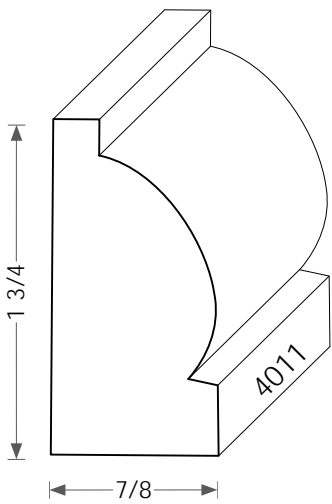
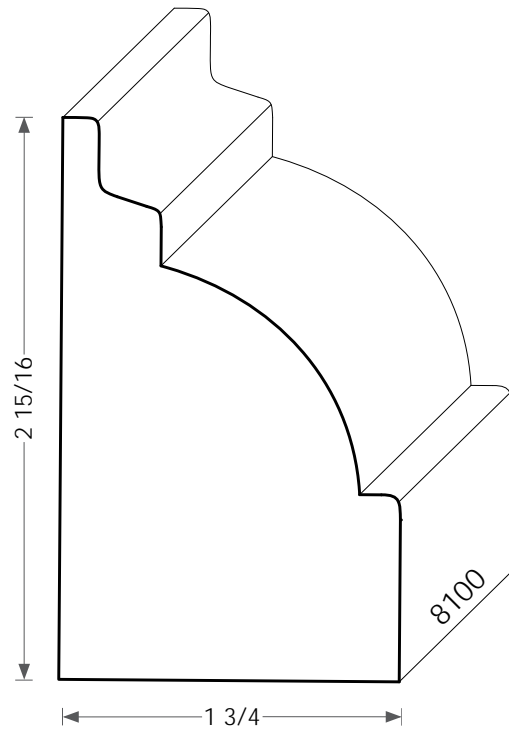
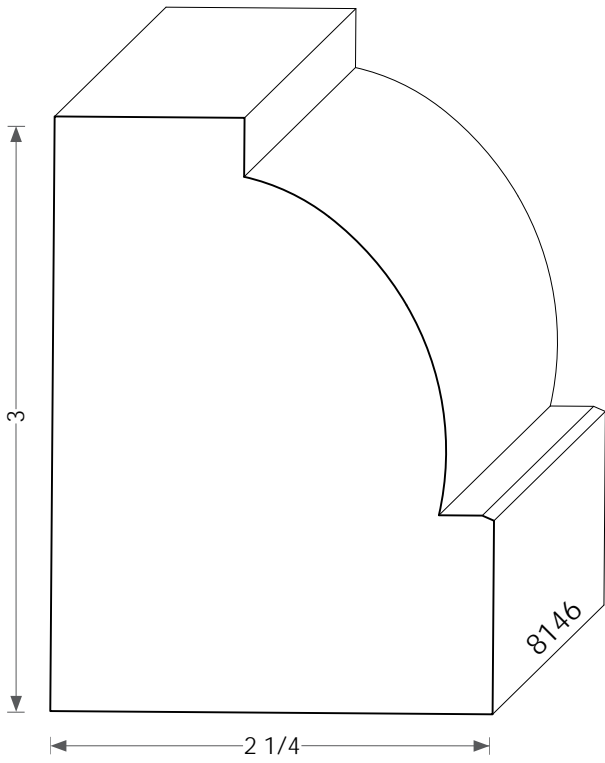
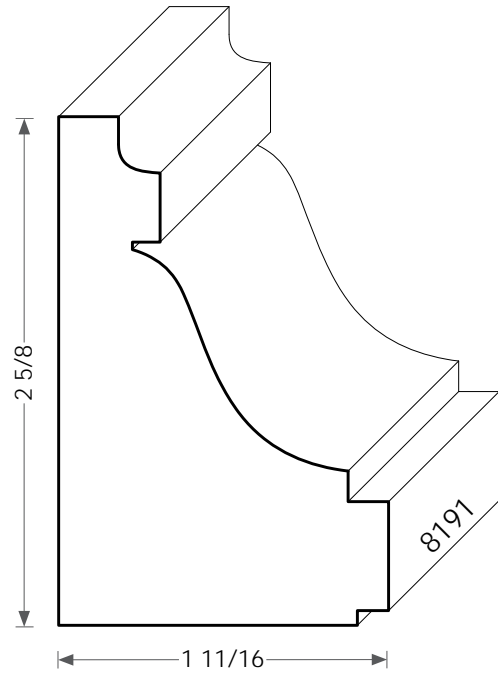
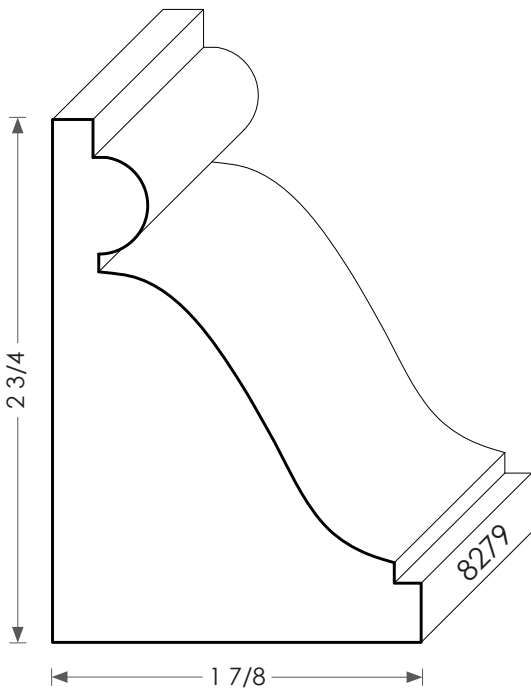
PANEL MOLD & BASE CAP  
QUARTER-ROUNDS



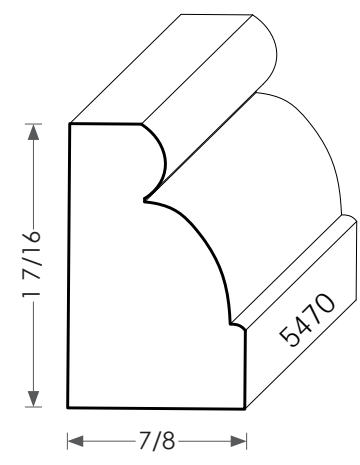
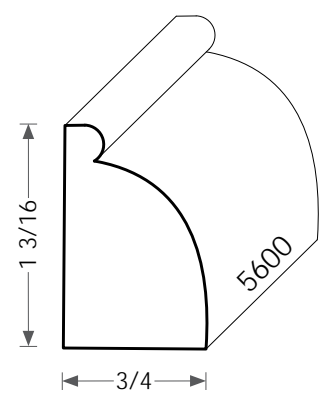
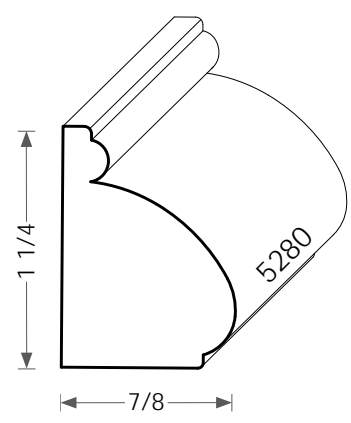
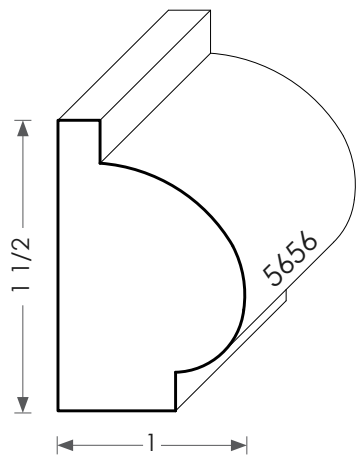
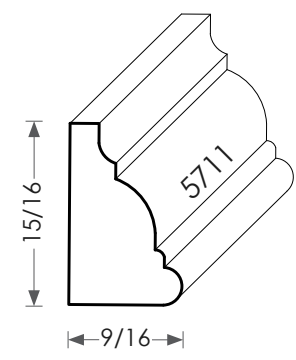
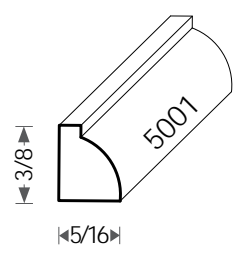
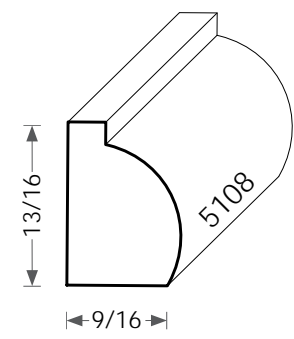
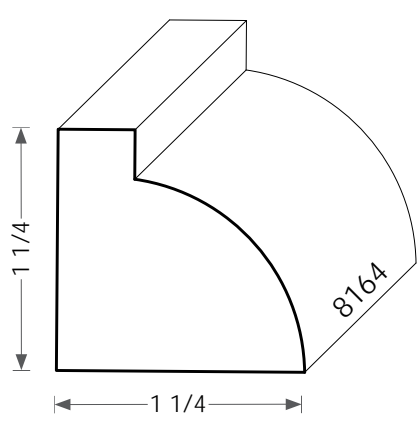
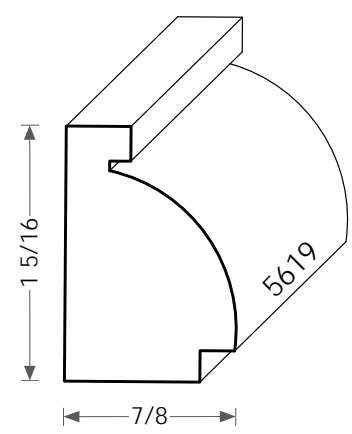
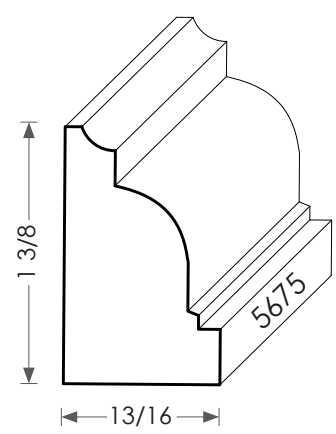
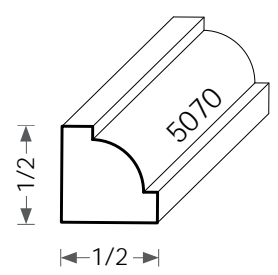
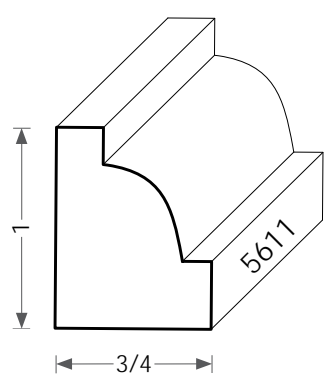
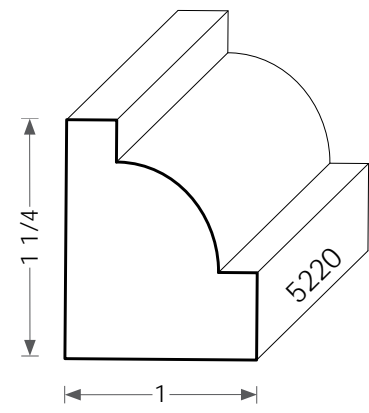
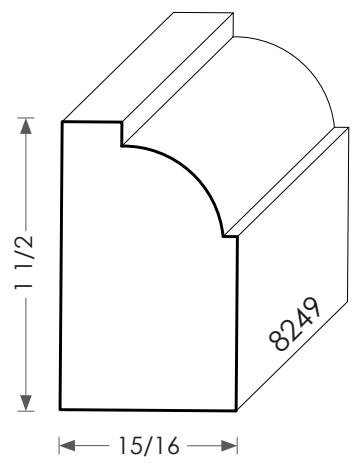
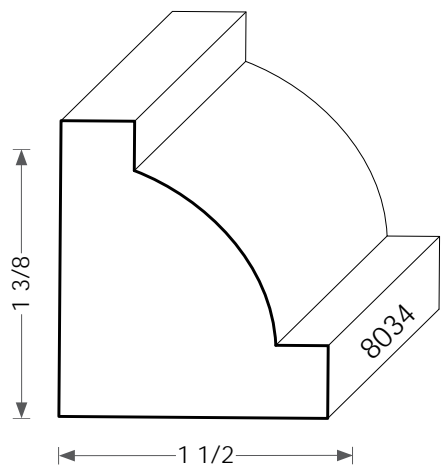


PANEL MOLD & BASE CAP

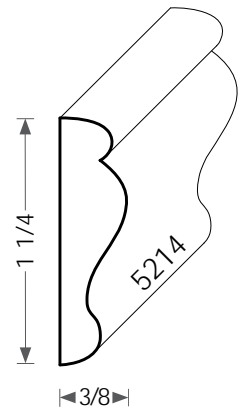
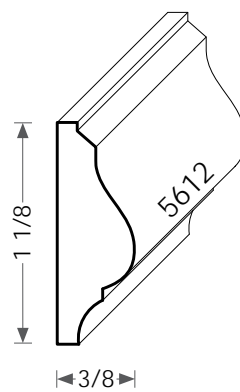
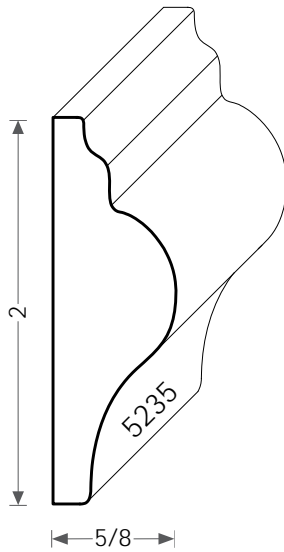
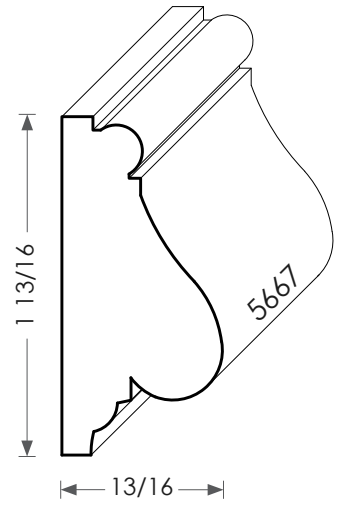
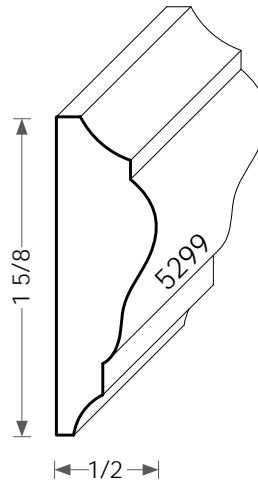
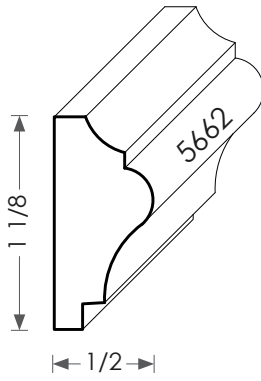
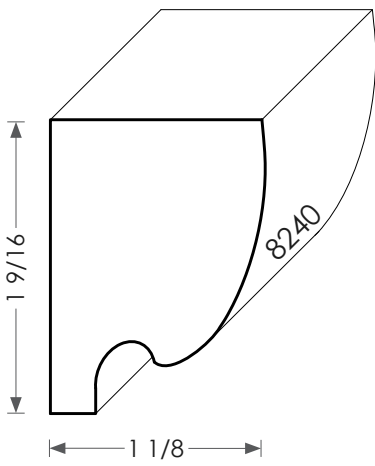
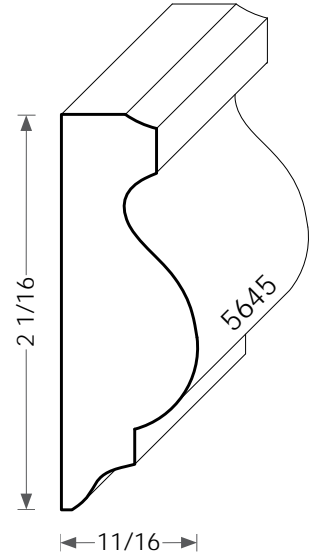
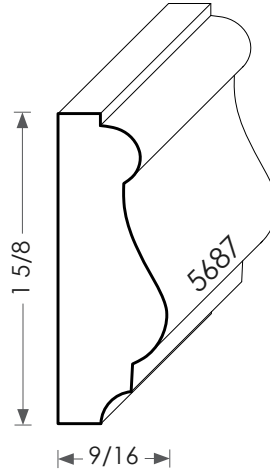
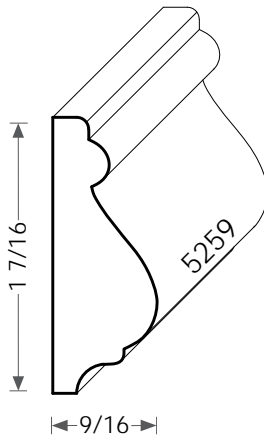
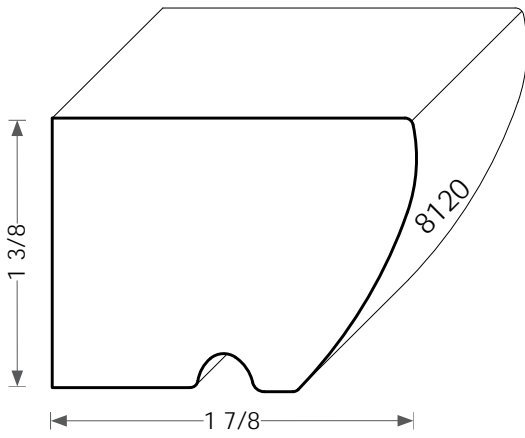
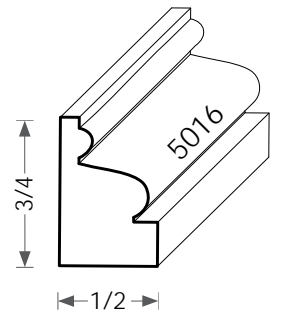
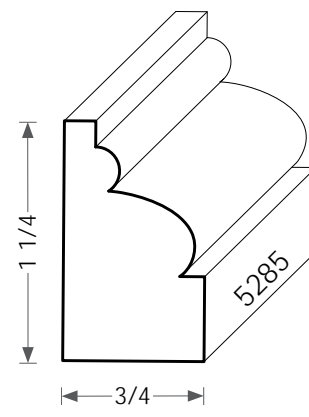
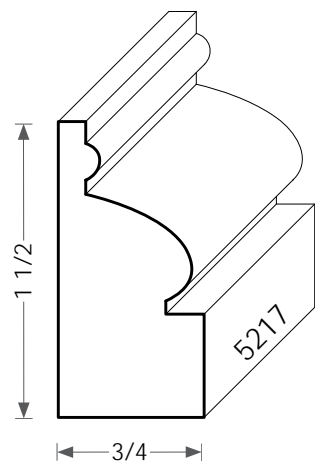
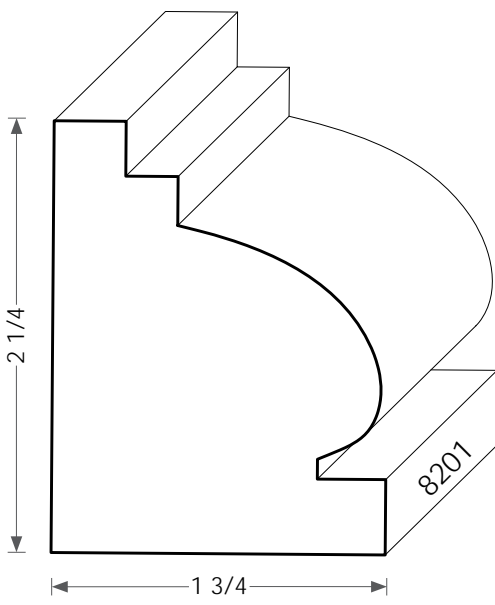




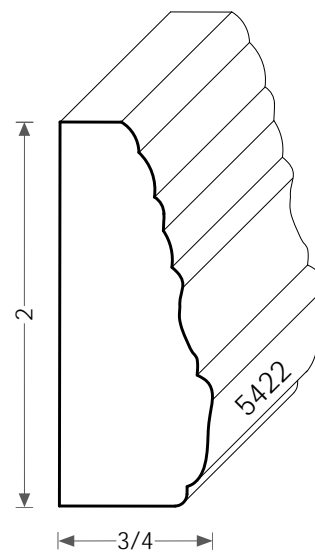
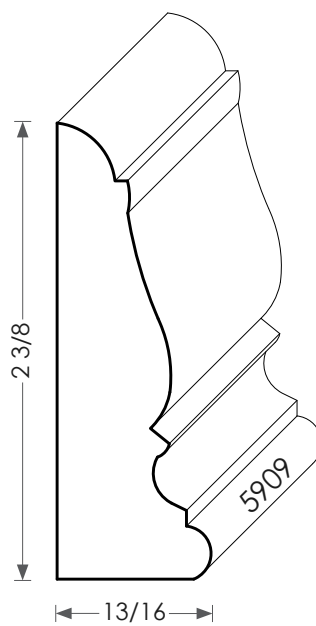
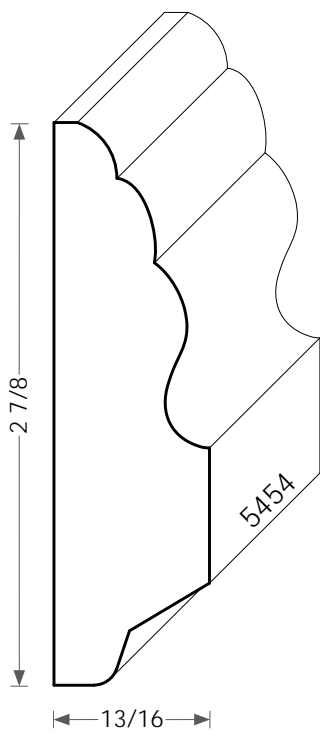
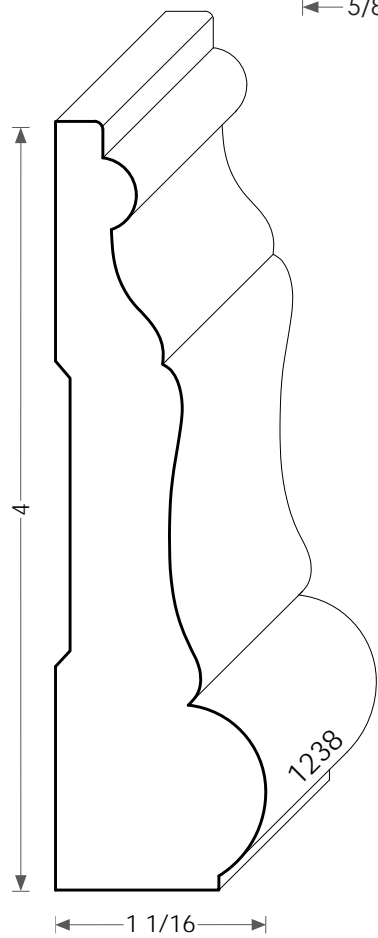
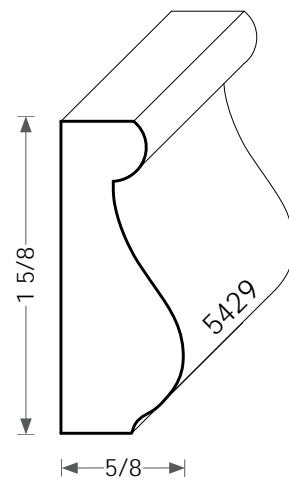
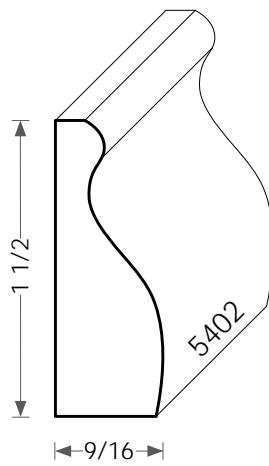
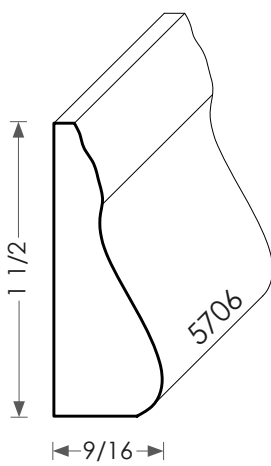
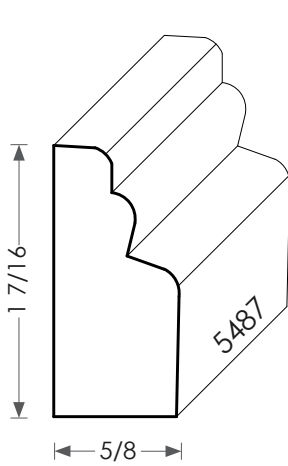
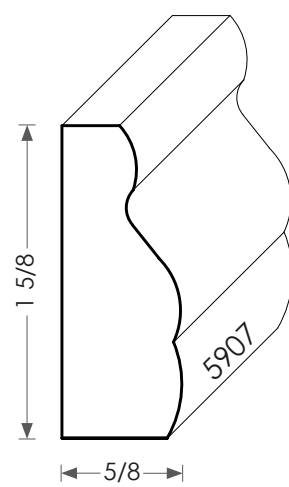
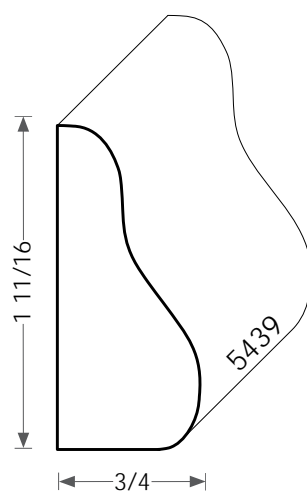
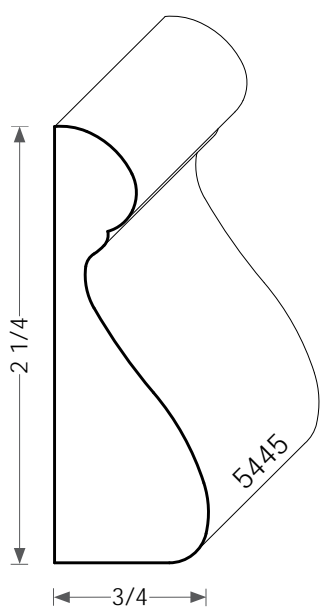
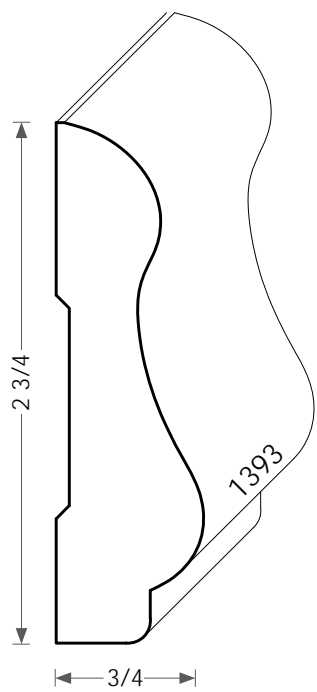
PANEL MOLD & BASE CAP

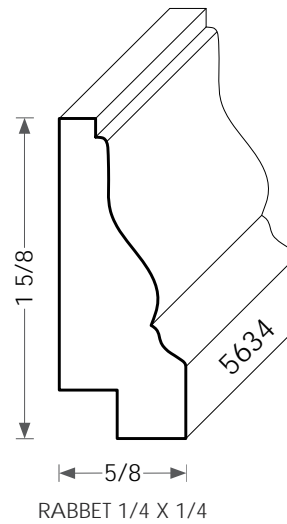
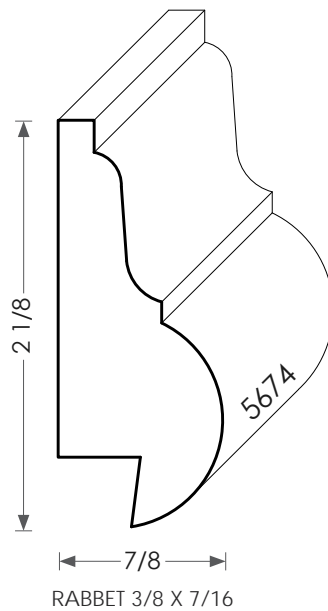
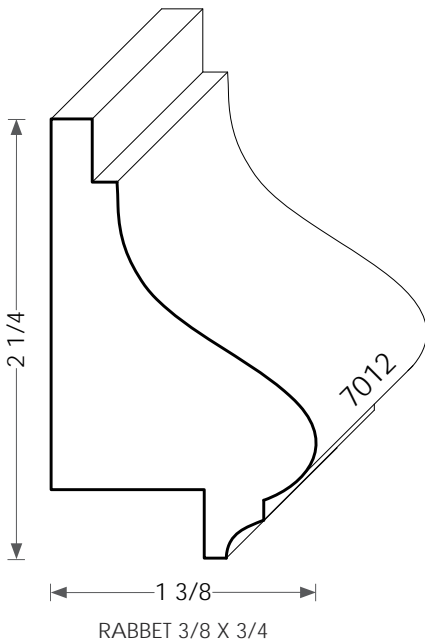
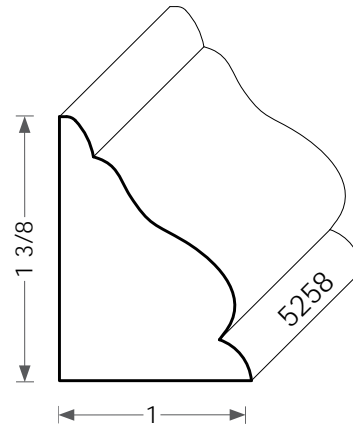
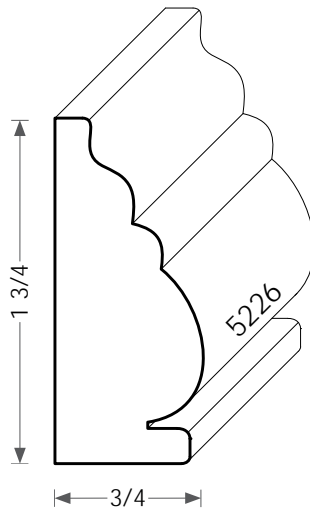
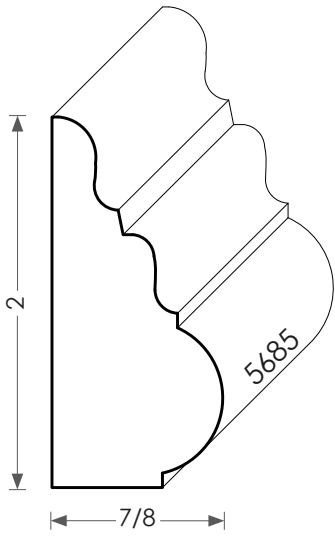
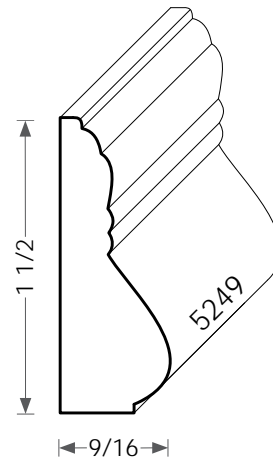
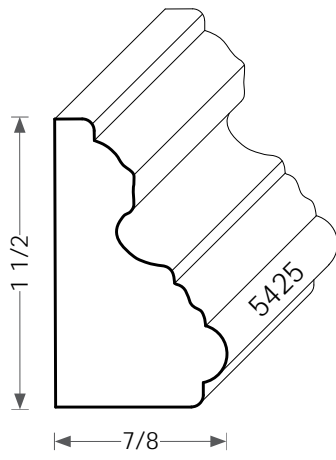
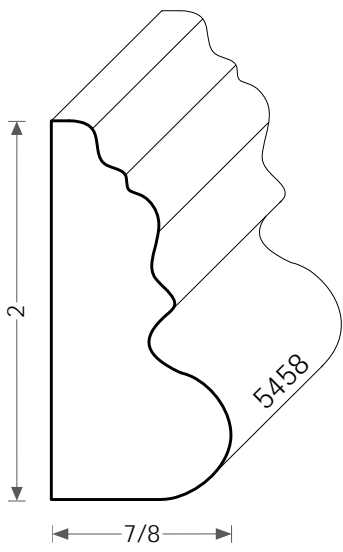






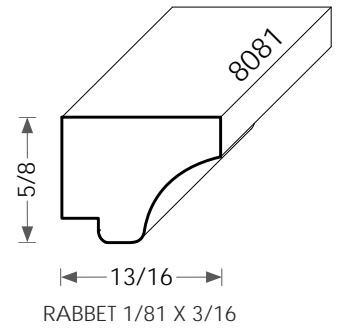
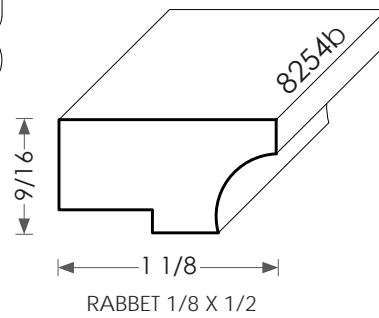
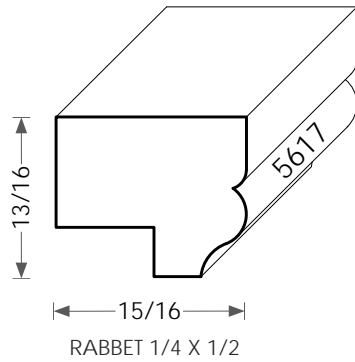
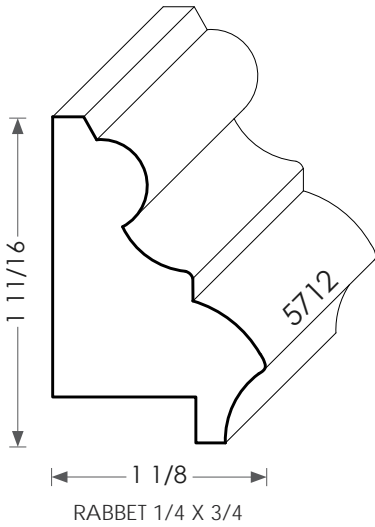
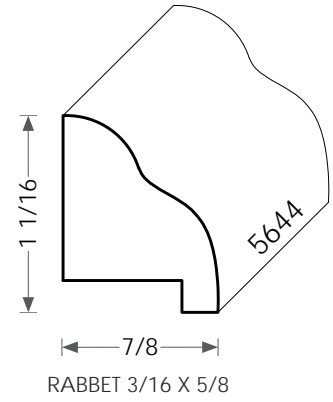
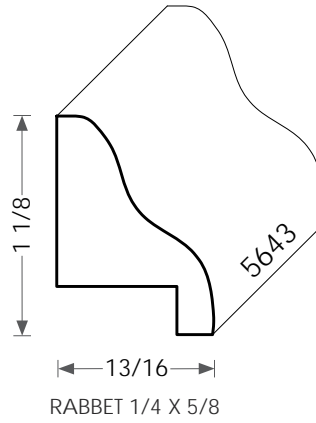
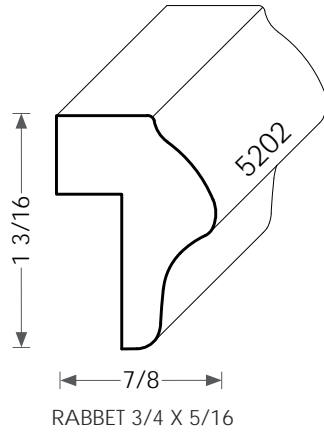
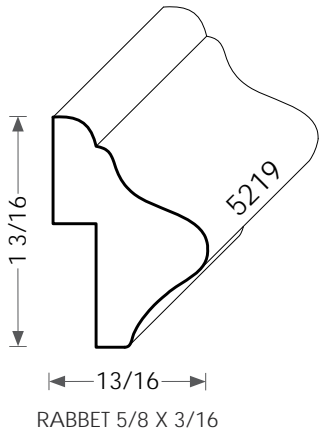
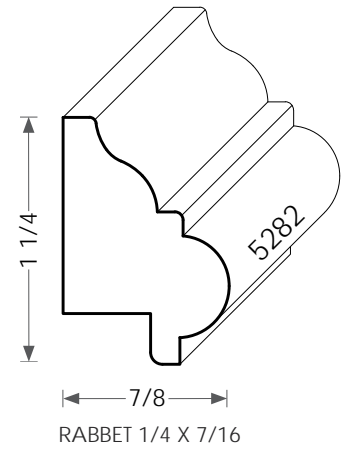
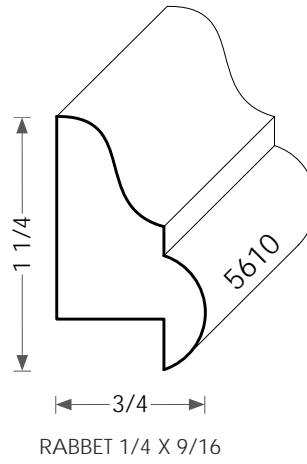
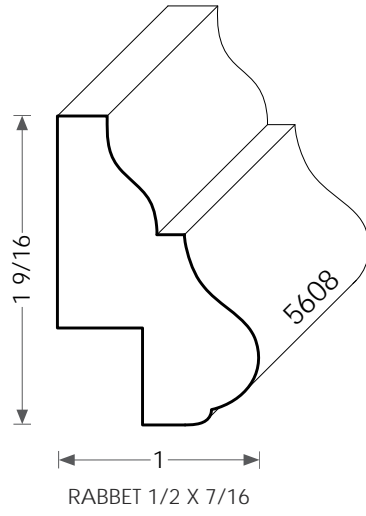
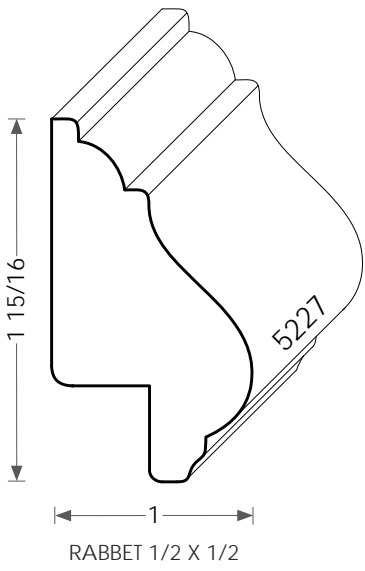
PANEL MOLD & BASE CAP

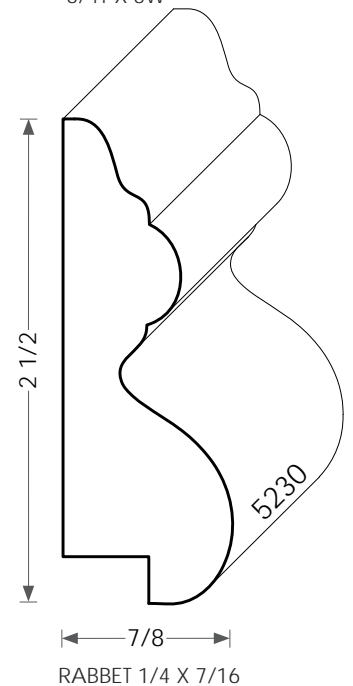
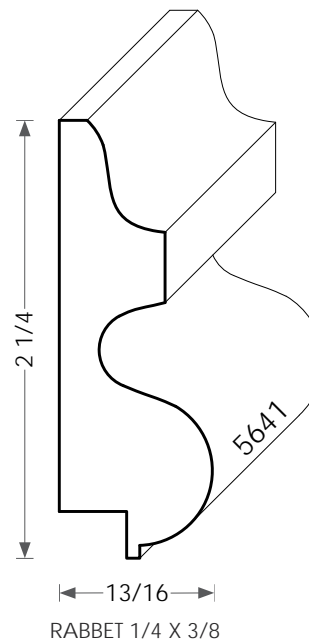
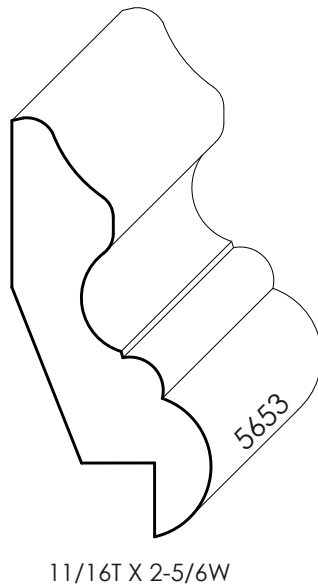
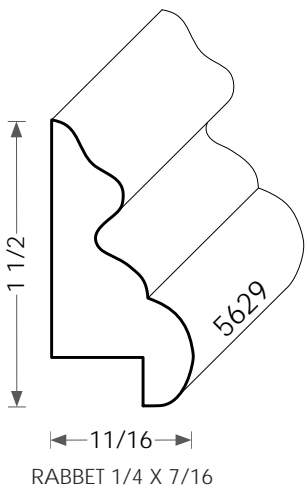
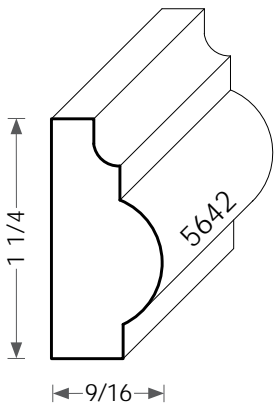
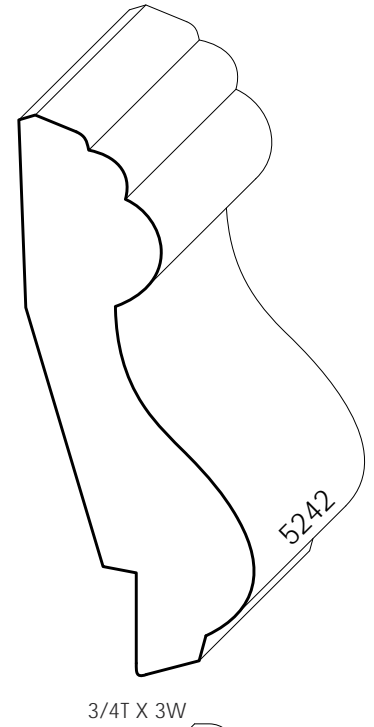
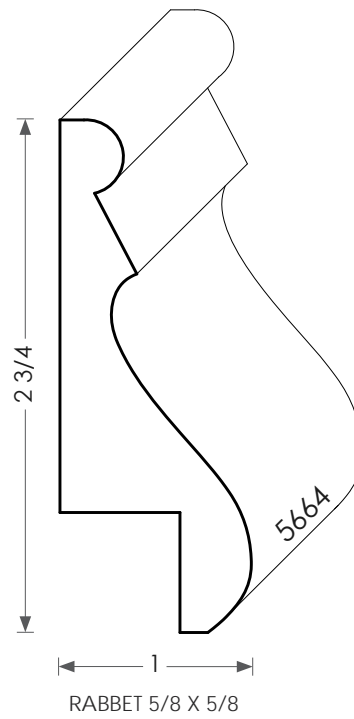
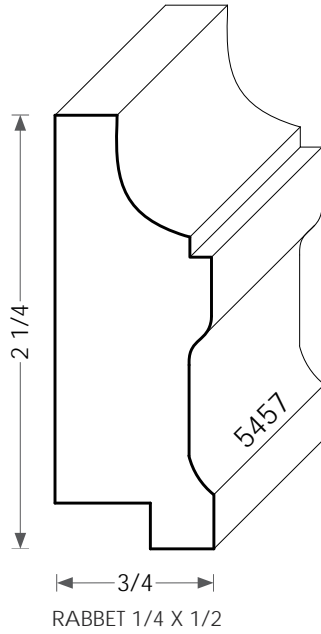
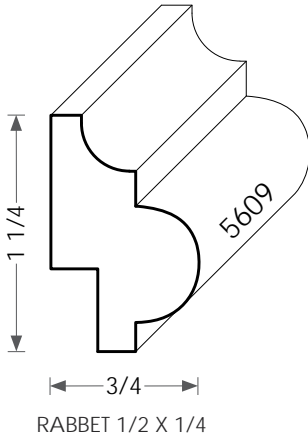
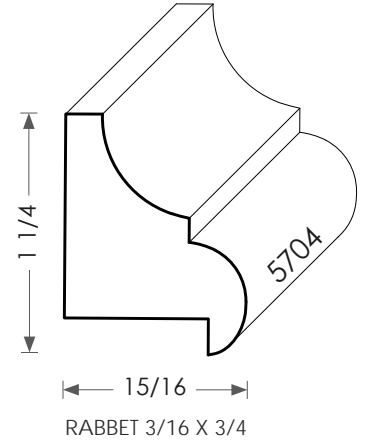
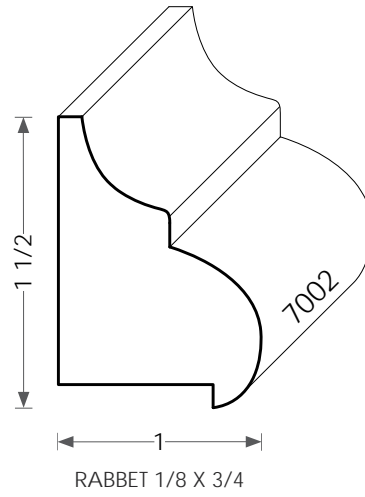
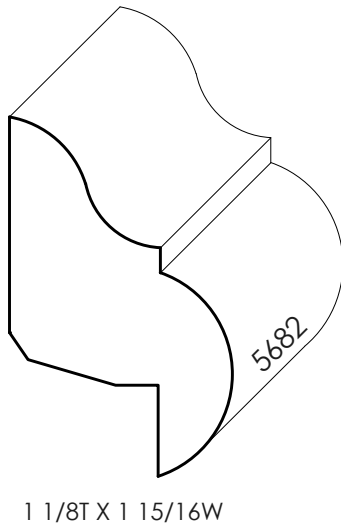
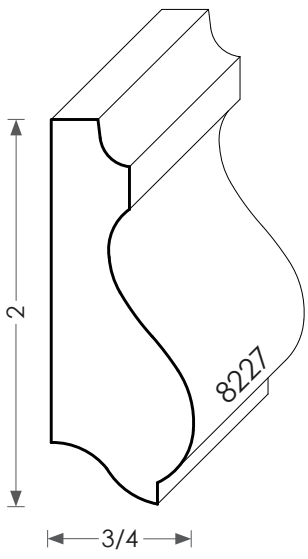




# PANEL MOLD & BASE CAP

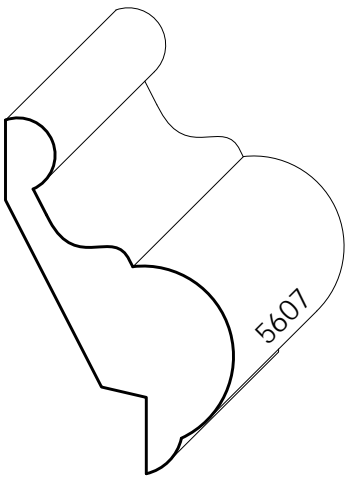
RABBETED



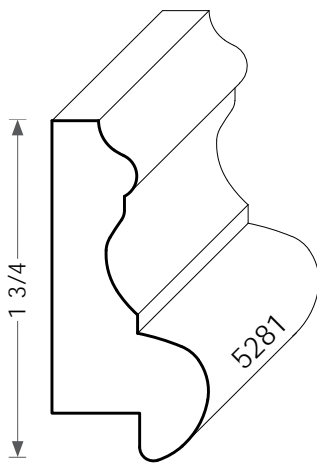


# PANEL MOLD & BASE CAP

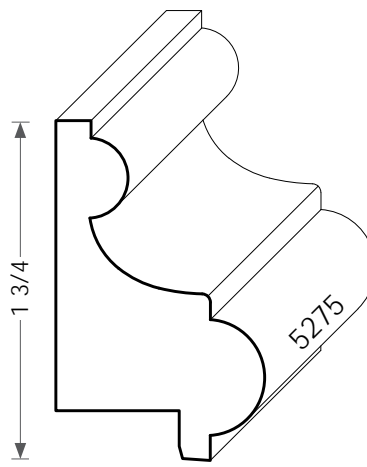
RABBETED



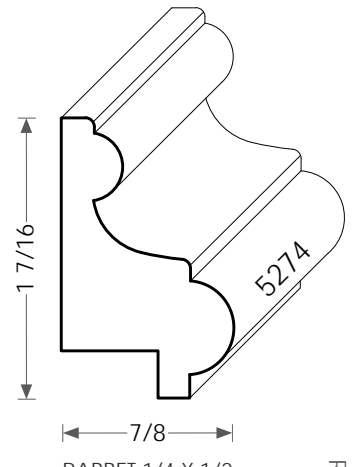
11/16T X 2W



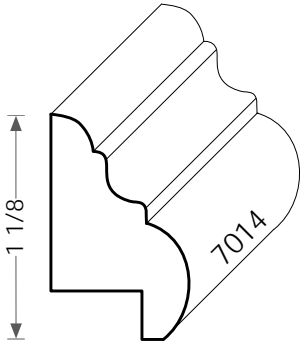
3/4  
RABBET 1/4 X 7/16



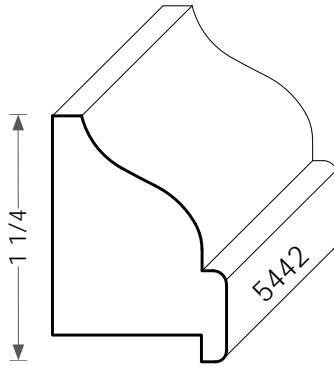
1 3/4  
RABBET 1/41 X 5/8



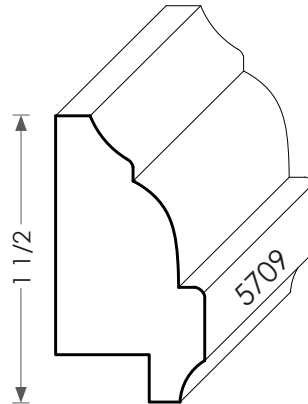
1 7/16  
RABBET 1/4 X 1/2



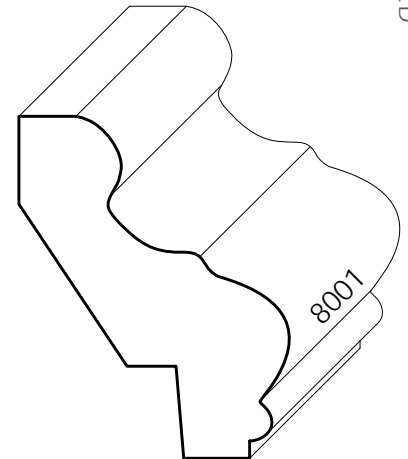
1 1/8  
RABBET 1/4 X 1/2



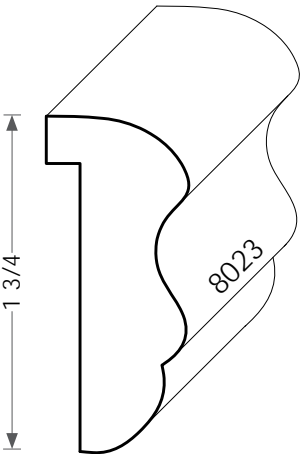
1 1/4  
RABBET 1/8 X 3/4



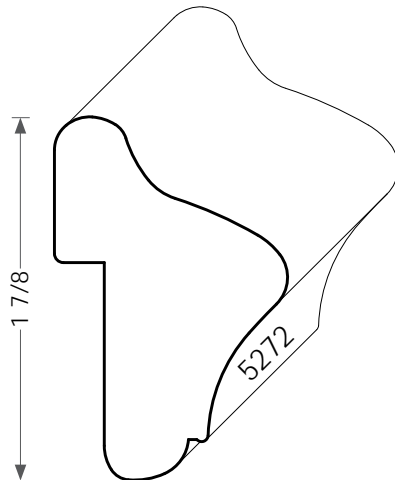
1 1/2  
RABBET 1/4 X 1/2



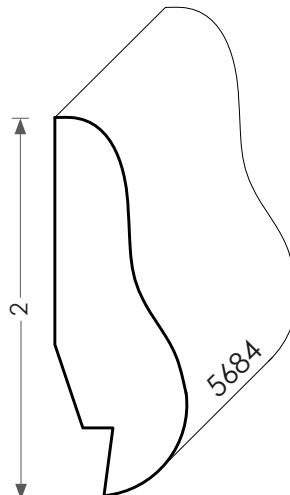
3/4T X 2-1/8W



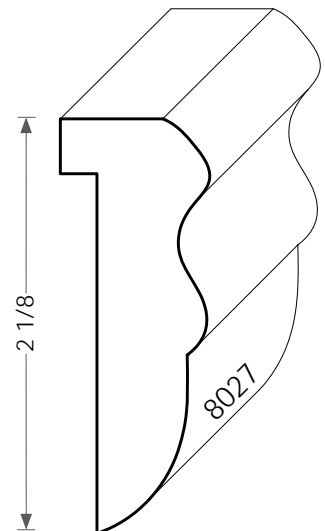
1 3/4  
RABBET 1-1/2 X 3/16



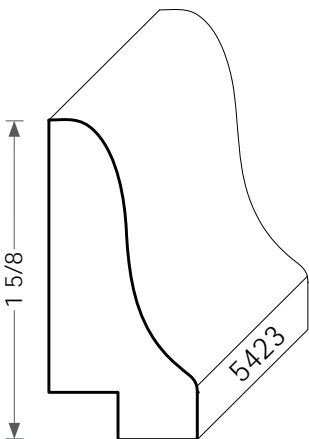
1 7/8  
RABBET 1 X 1/4



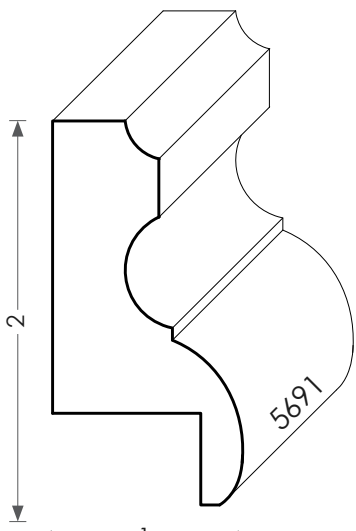
2  
RABBET 5/16 X 3/8



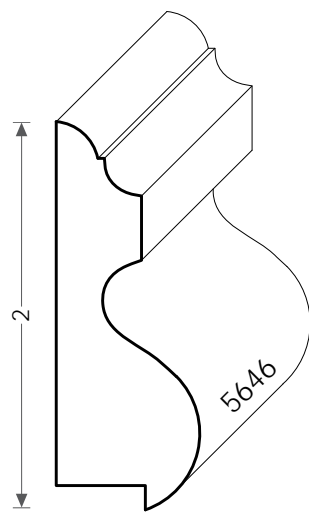
2 1/8  
RABBET 1-7/8 X 3/16



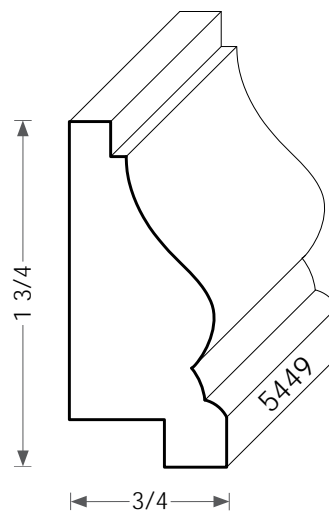
1 5/8  
RABBET 1/4 X 5/16



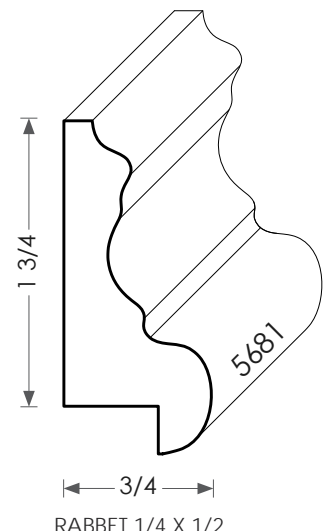
RABBET 7/16 X 3/4



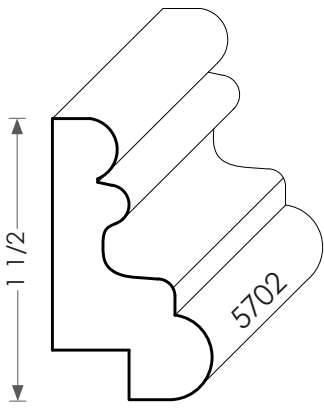
RABBET 1/8 X 7/16



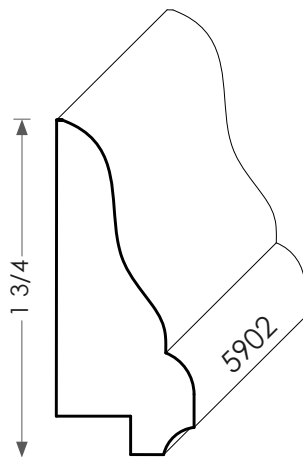
RABBET 1/4 X 1/2



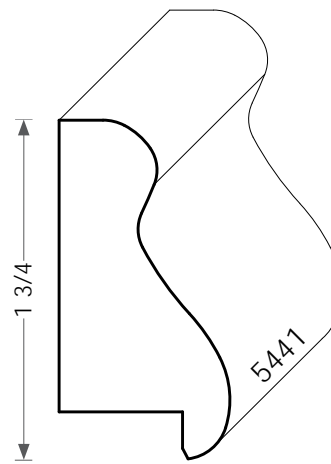
RABBET 1/4 X 1/2



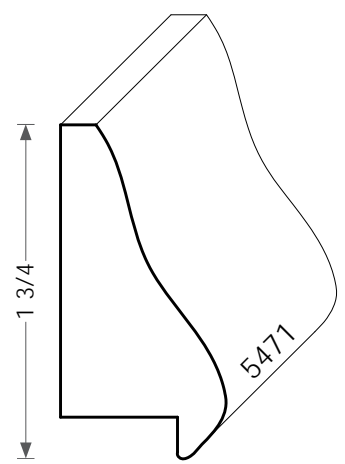
RABBET 1/4 X 7/16



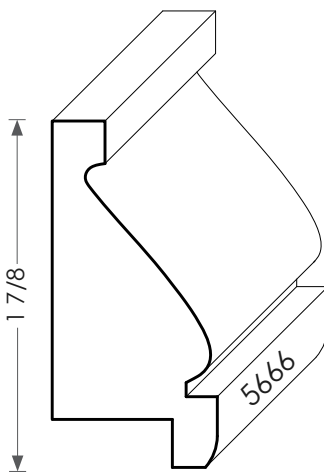
RABBET 3/16 X 3/8



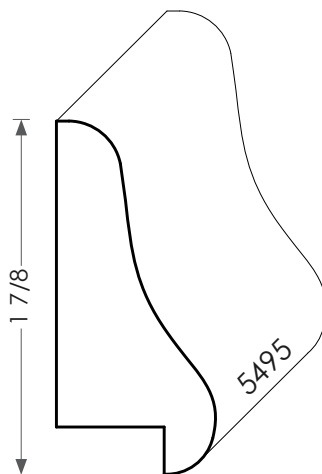
RABBET 1/4 X 5/8



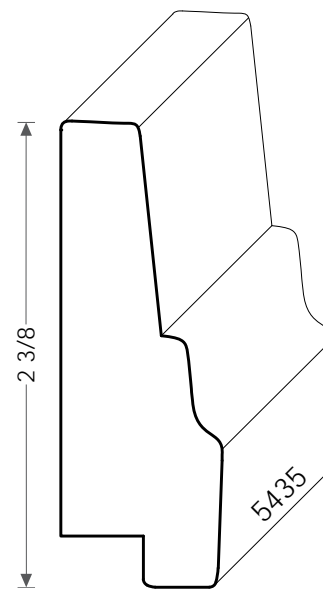
RABBET 3/16 X 5/8



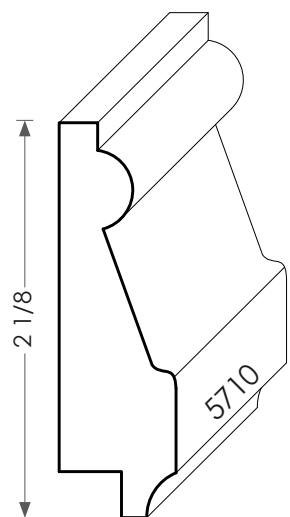
RABBET 1/4 X 5/8



RABBET 1/4 X 9/16

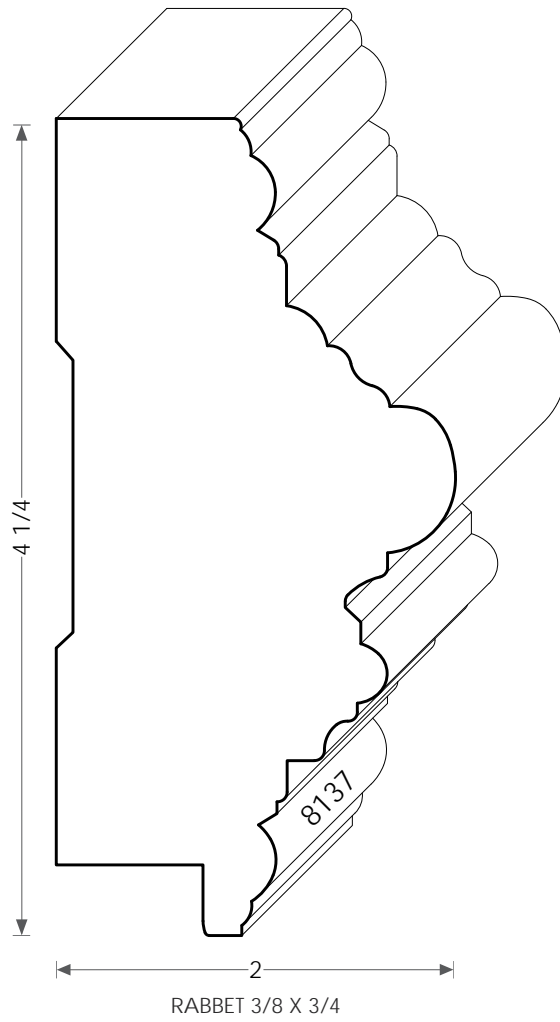
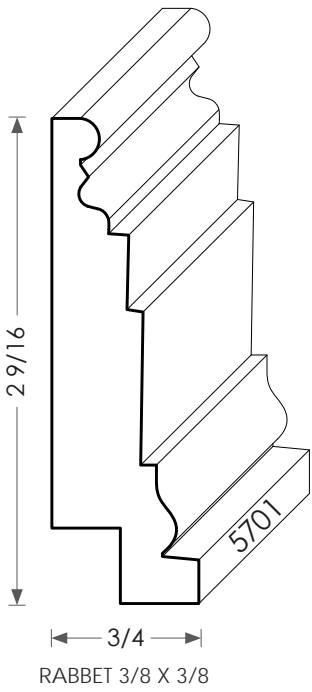
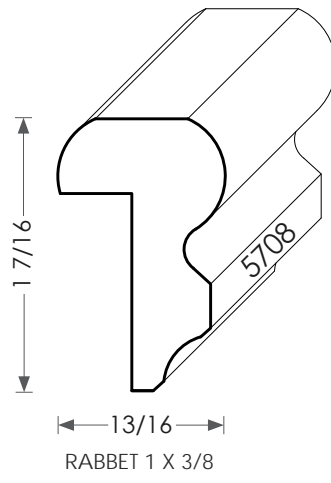
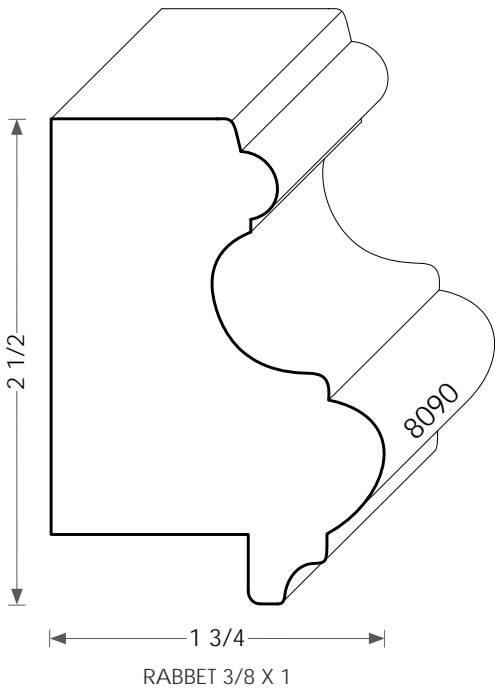


RABBET 1/4 X 7/16

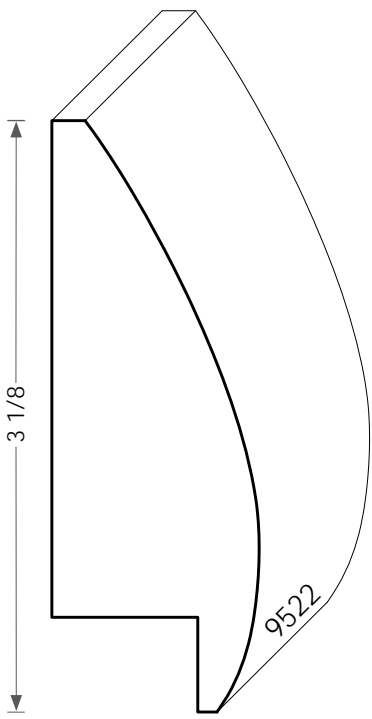


RABBET 1/4 X 5/16

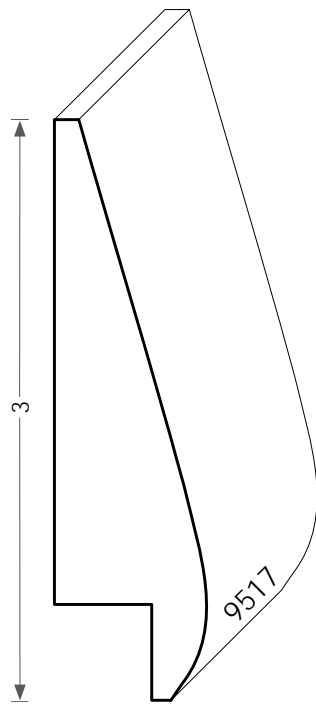
PANEL MOLD & BASE CAP  
RABBETED



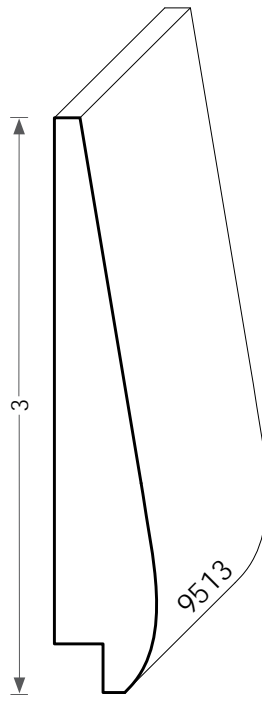




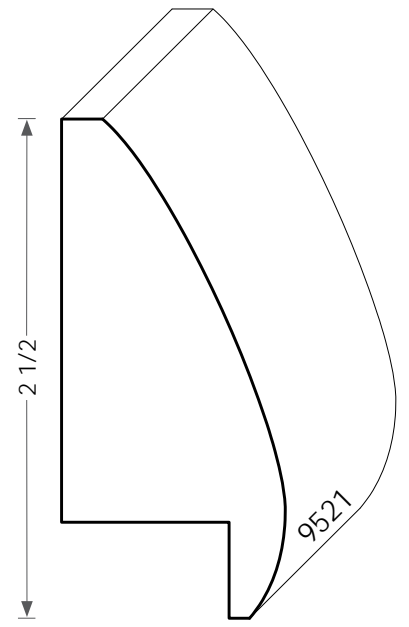
1 1/8  
RABBET 1/2 X 7/8



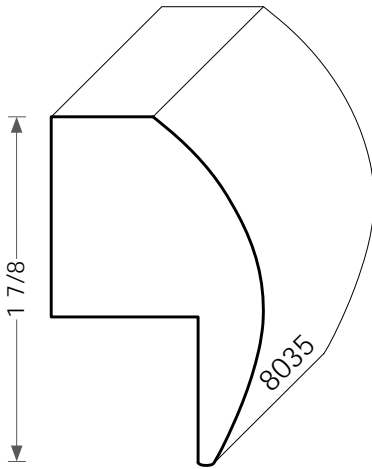
3/4  
RABBET 1/2 X 1/2



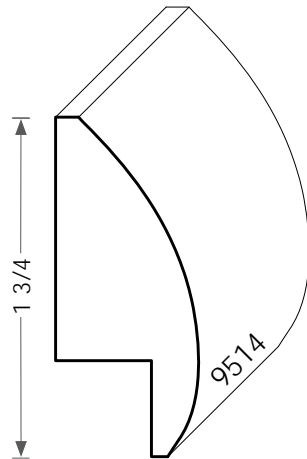
9/16  
RABBET 1/4 X 1/4



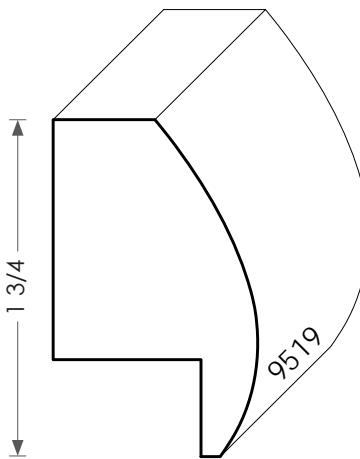
2 1/2  
1 1/8  
RABBET 1/2 X 7/8



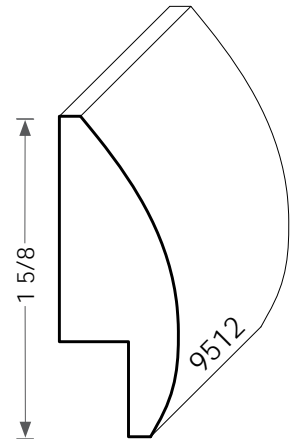
1 7/8  
1 1/16  
RABBET 3/4 X 3/4



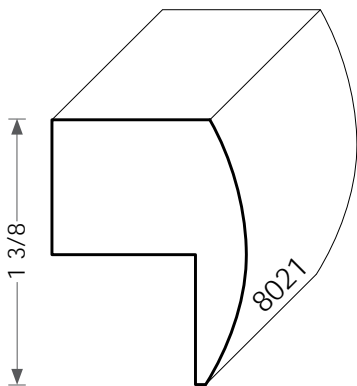
1 3/4  
3/4  
RABBET 1/2 X 1/2



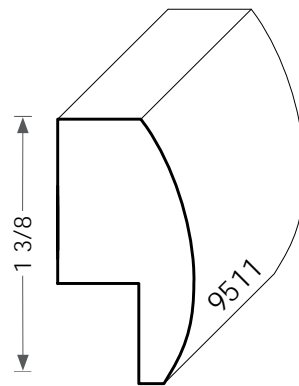
1 3/4  
1  
RABBET 1/2 X 3/4



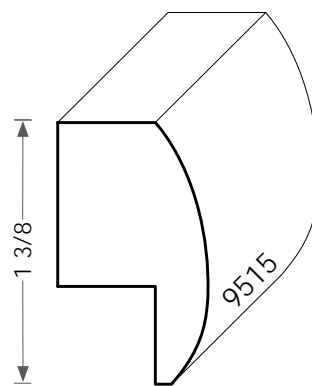
1 5/8  
5/8  
RABBET 1/2 X 3/8



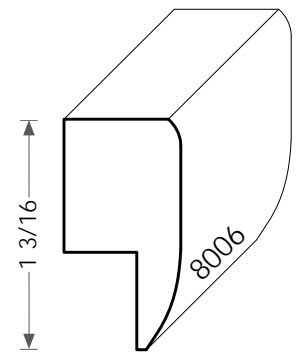
1 3/8  
1  
RABBET 5/8 X 3/4



1 3/8  
5/8  
RABBET 1/2 X 7/16



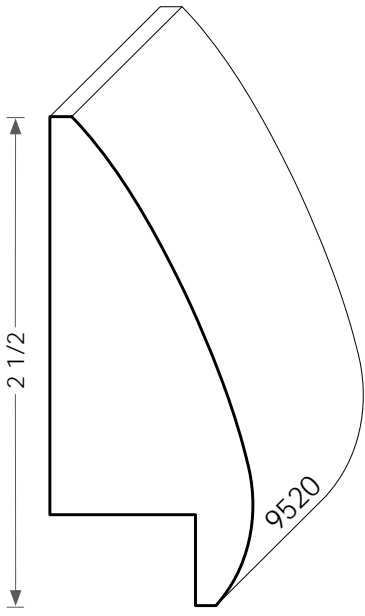
1 3/8  
3/4  
RABBET 1/2 X 1/2



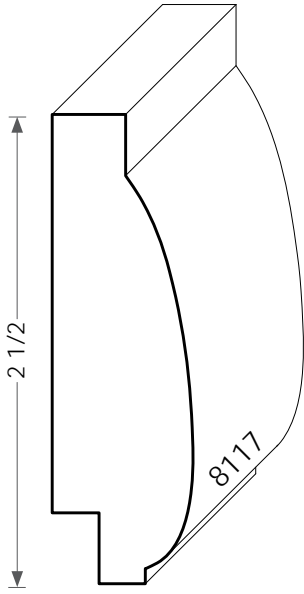
1 3/16  
5/8  
RABBET 1/2 X 3/8

# PANEL MOLD & BASE CAP

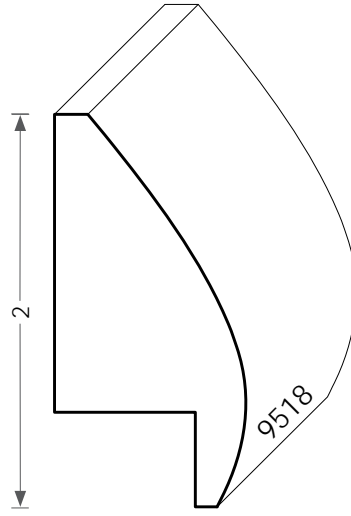
TRANSITION, BOLECTION



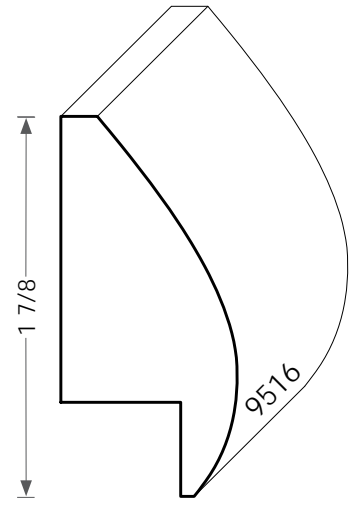
RABBET 1/2 X 3/4



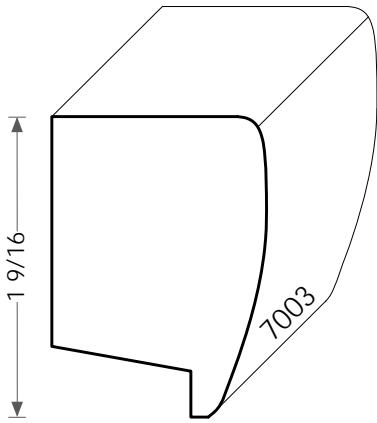
RABBET 3/8 X 1/4



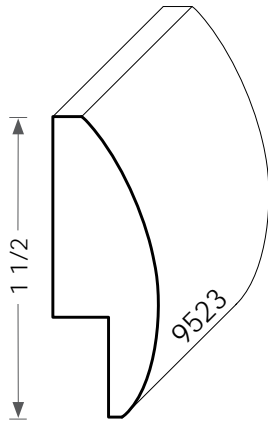
RABBET 1/2 X 3/4



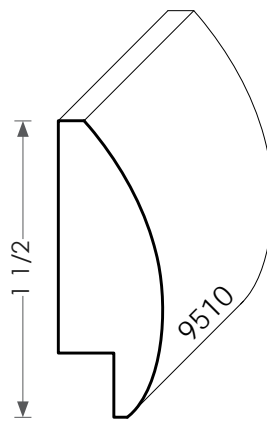
RABBET 5/8 X 1/2



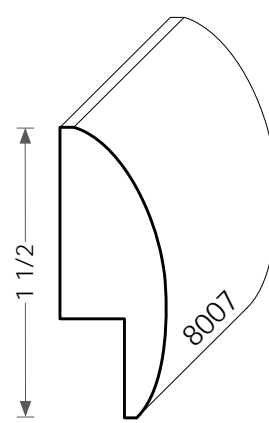
RABBET 1/4 X 3/4



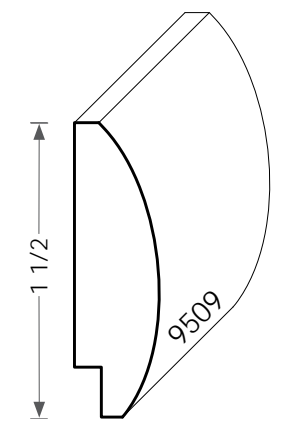
RABBET 1/2 X 1/4



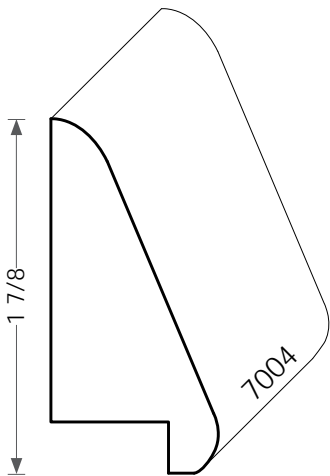
RABBET 1/4 X 1/4



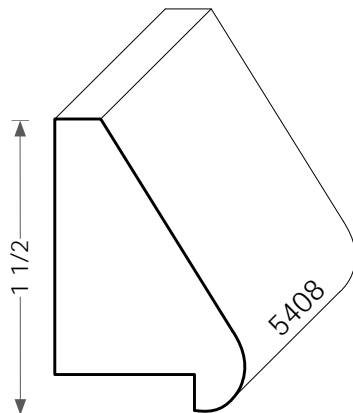
RABBET 5/16 X 1/2



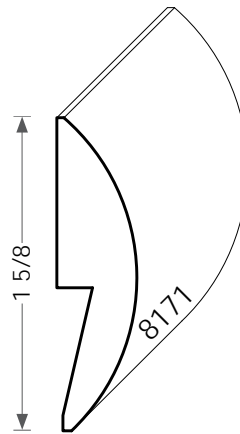
RABBET 1/4 X 1/8



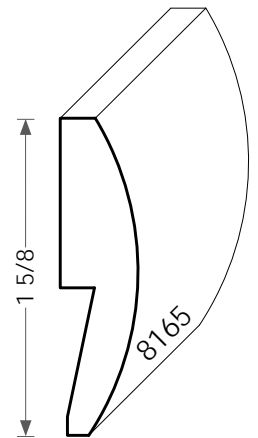
RABBET 1/4 X 5/8



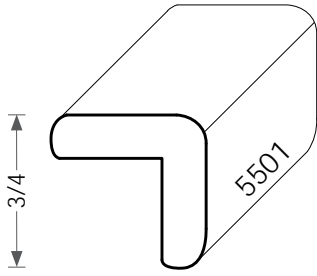
RABBET 3/16 X 3/4



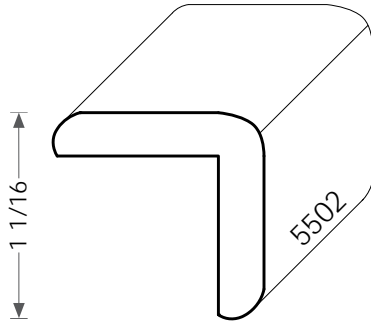
RABBET 3/4 X 3/16



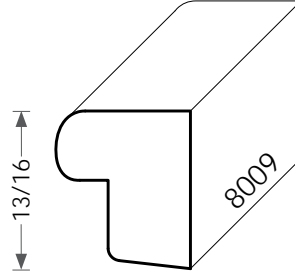
RABBET 3/4 X 3/16



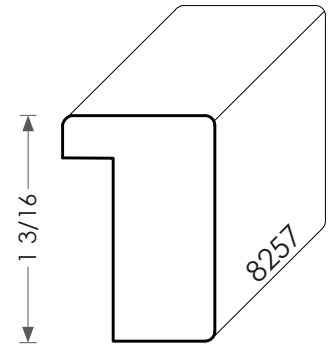
3/4  
3/4  
RABBET 9/16 X 9/16



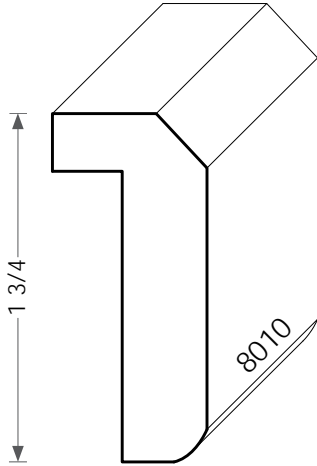
1 1/16  
1 1/16  
RABBET 7/8 X 7/8



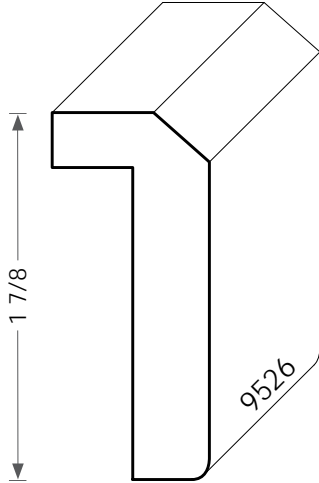
13/16  
11/16  
RABBET 7/16 X 1/4



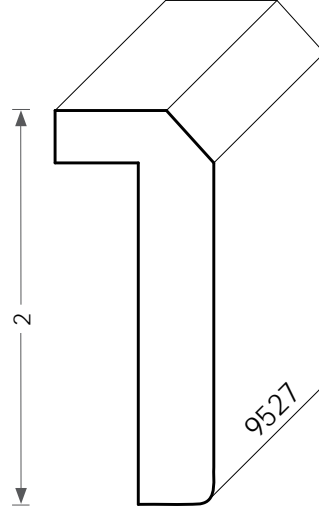
1 3/16  
13/16  
RABBET 15/16 X 1/4



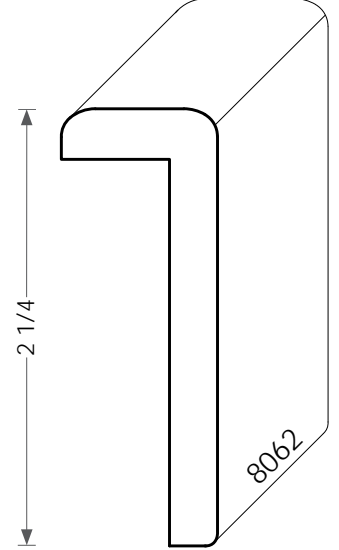
1 3/4  
7/8  
RABBET 1-1/2 X 3/8



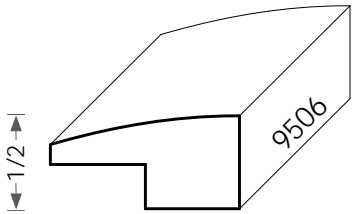
1 7/8  
3/4  
RABBET 1-5/8 X 3/8



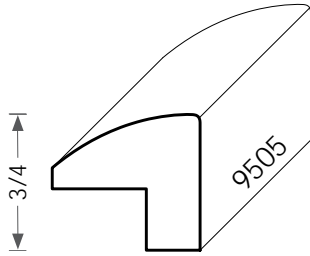
2  
3/4  
RABBET 1-3/4 X 3/8



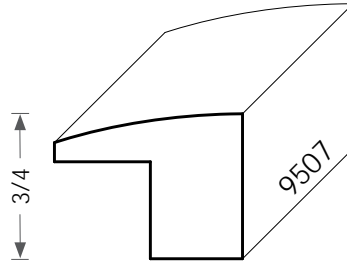
2 1/4  
3/4  
RABBET 2 X 9/16



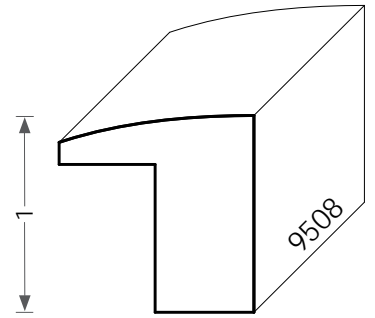
1/2  
1  
RABBET 1/4 X 1/2



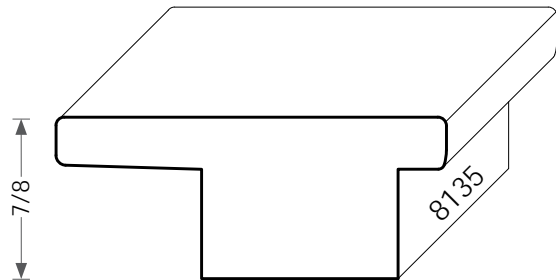
3/4  
3/4  
RABBET 1/4 X 1/2



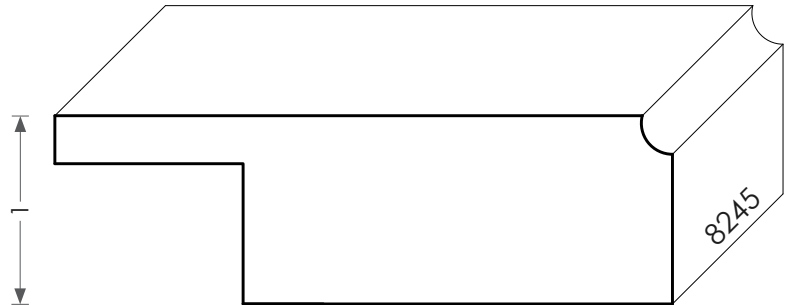
3/4  
1  
RABBET 1/2 X 1/2



1  
1  
RABBET 3/4 X 1/2



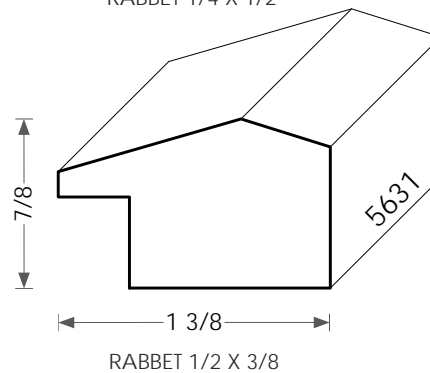
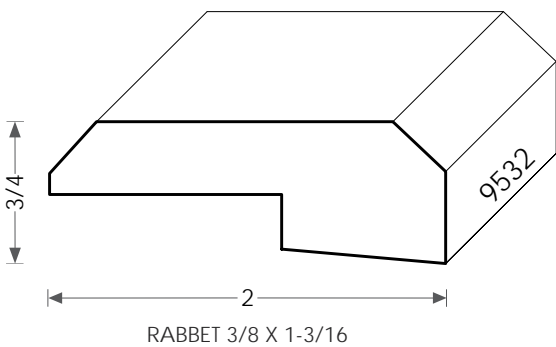
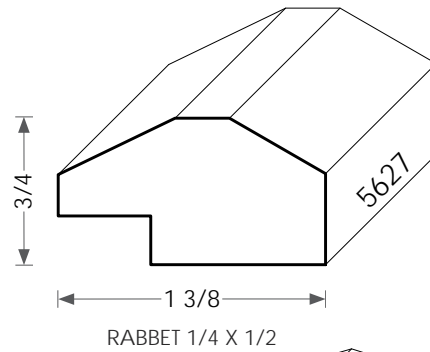
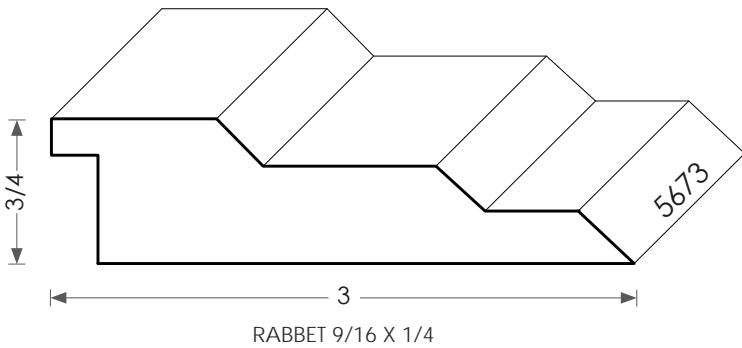
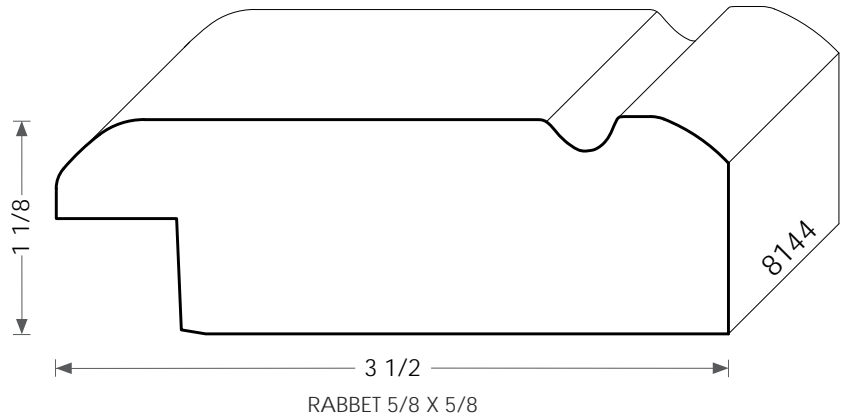
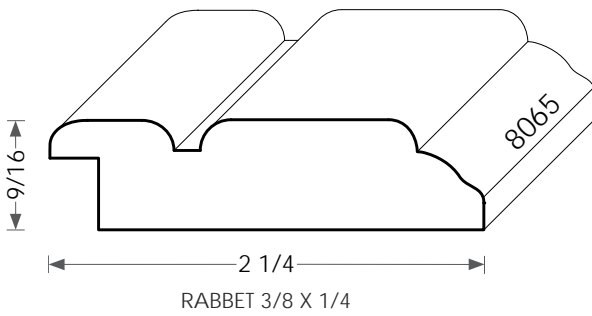
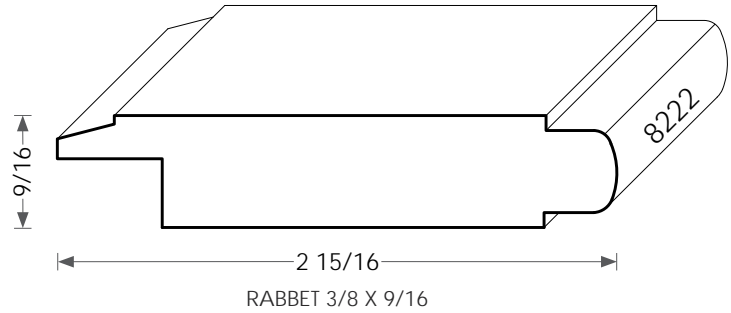
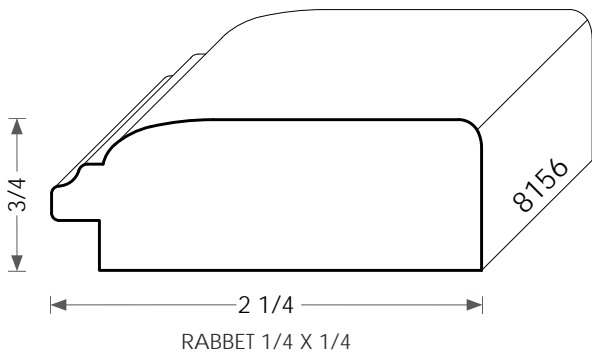
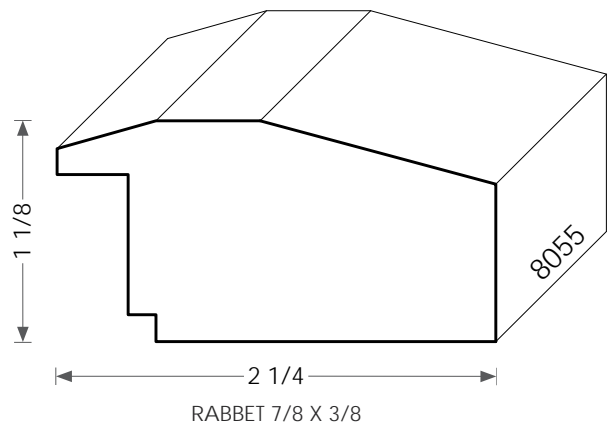
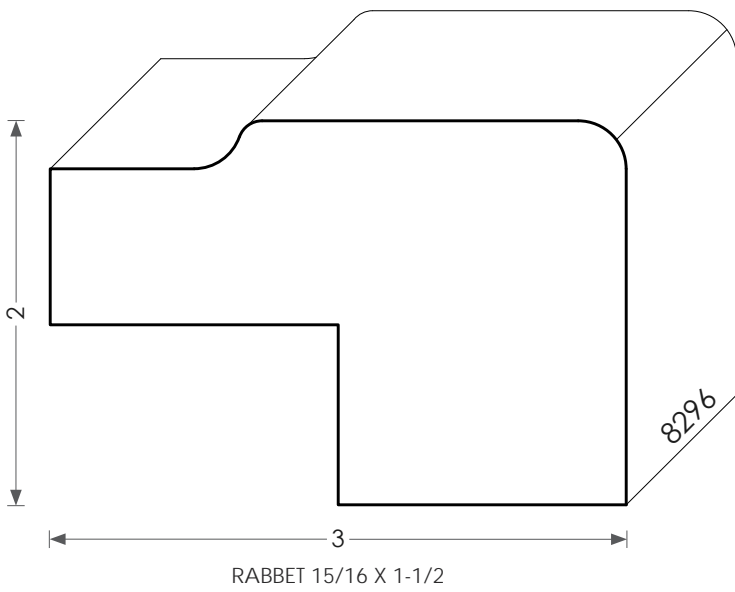
7/8  
2  
RABBET 9/16 X 1/4 and 9/16 X 3/4

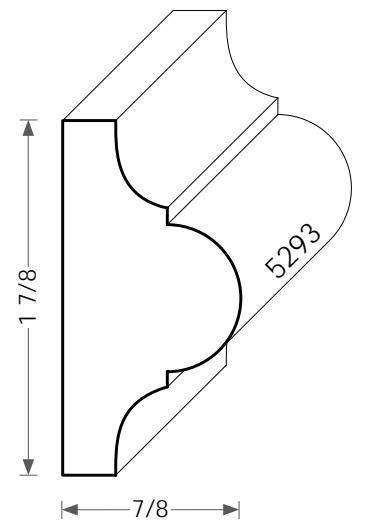
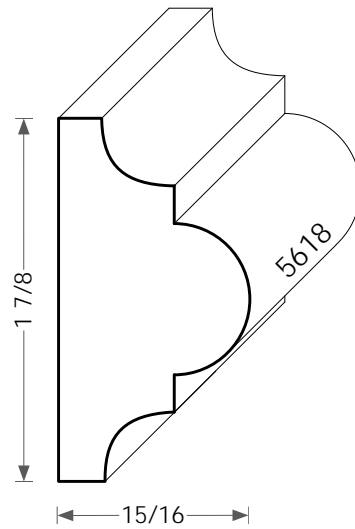
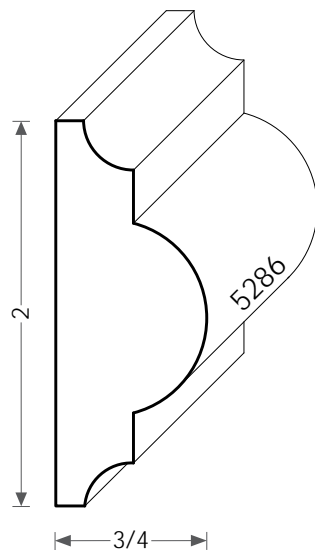
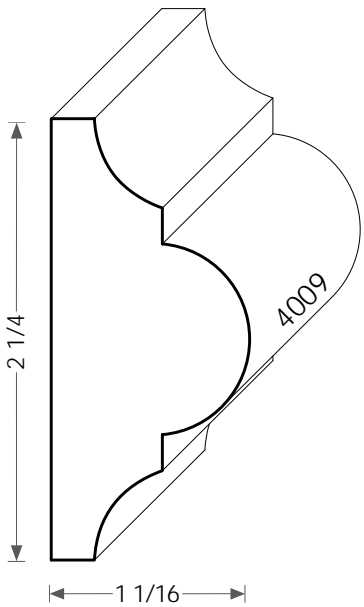
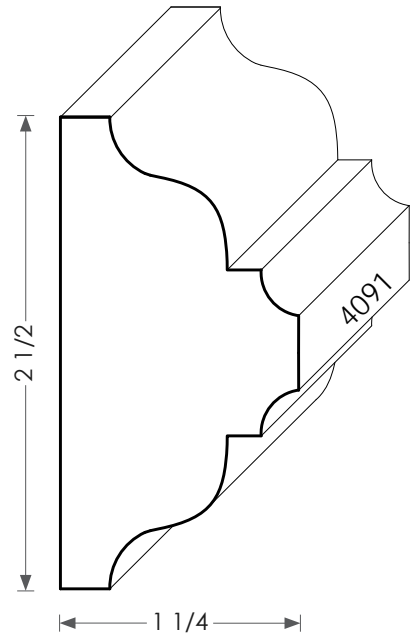
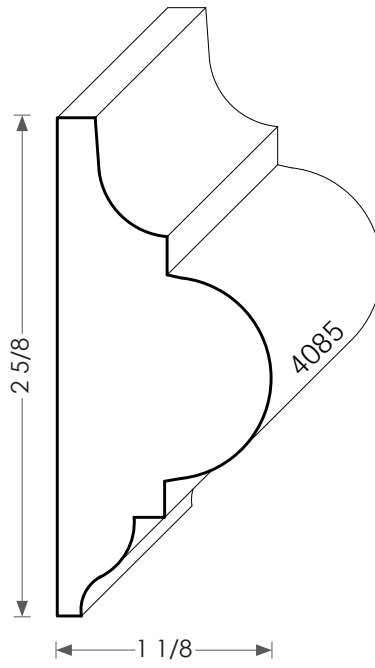
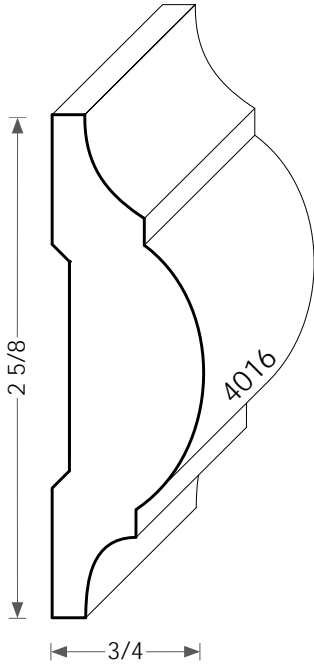
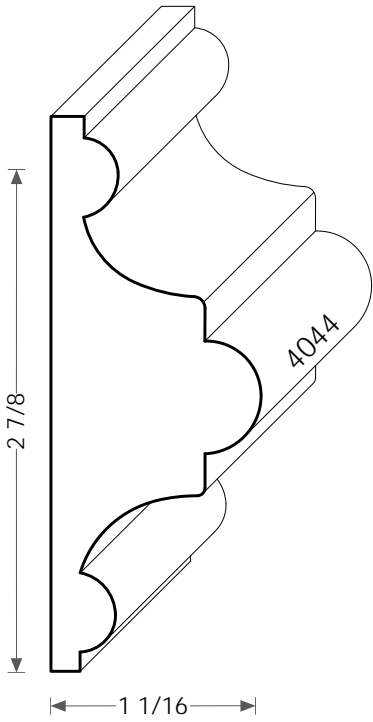
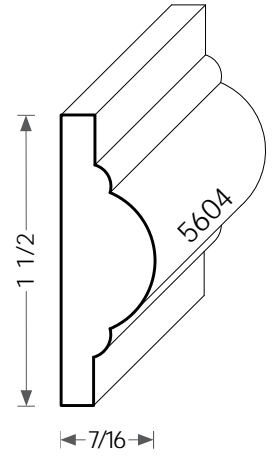
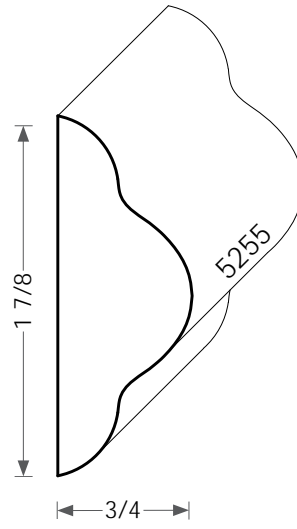
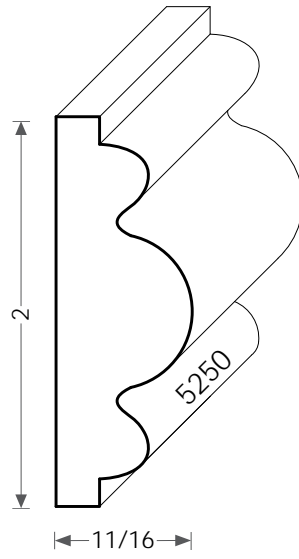
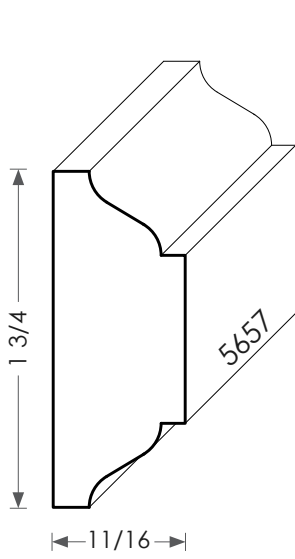
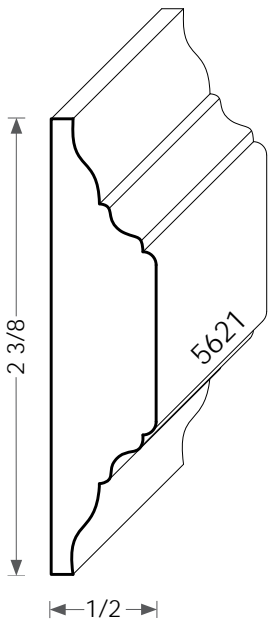


1  
3 1/4  
RABBET 3/4 X 1

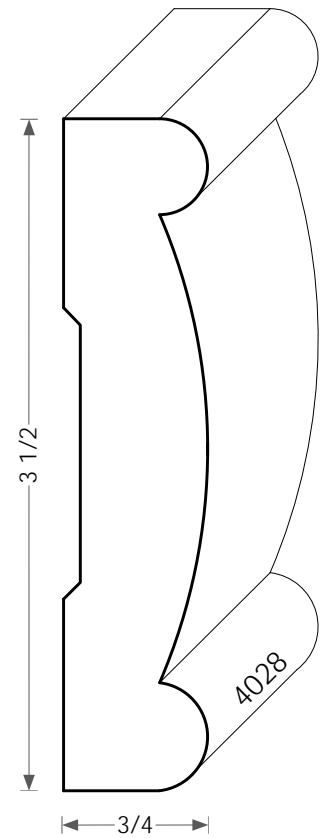
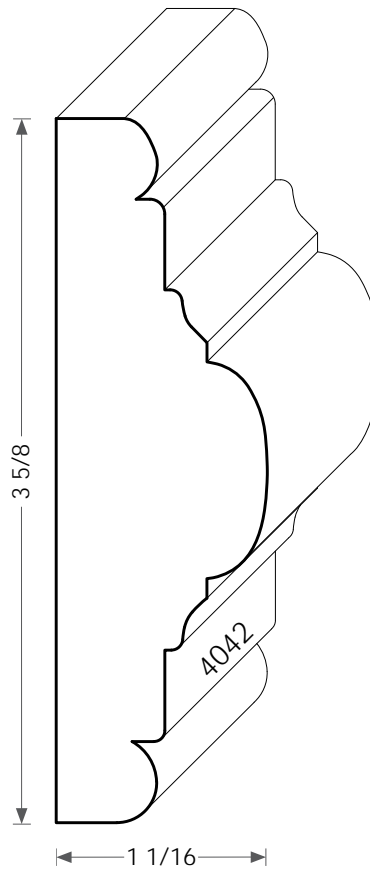
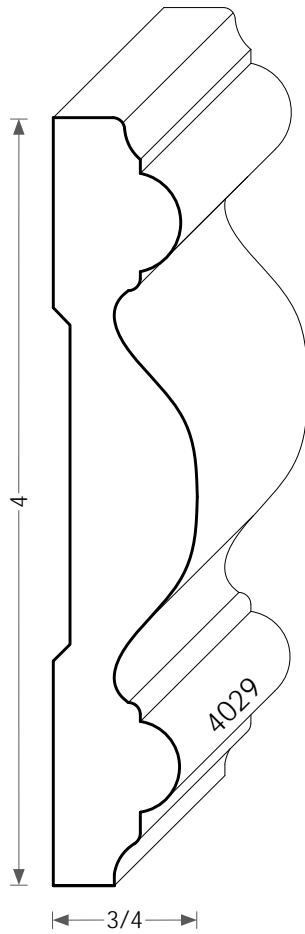
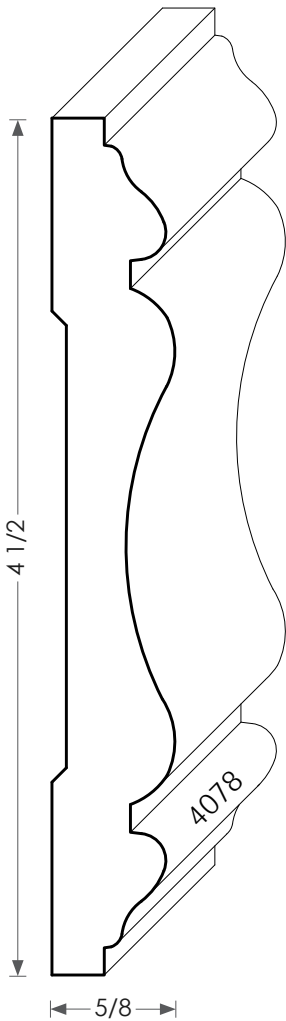
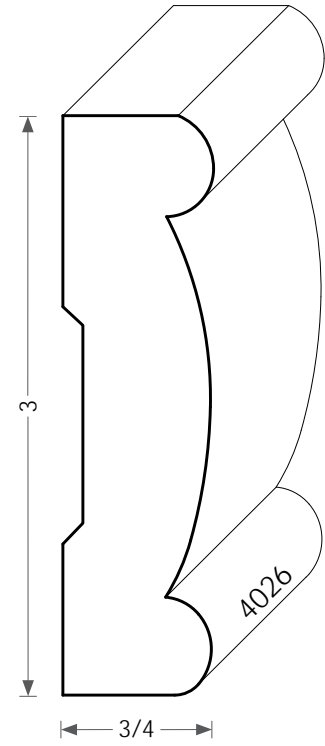
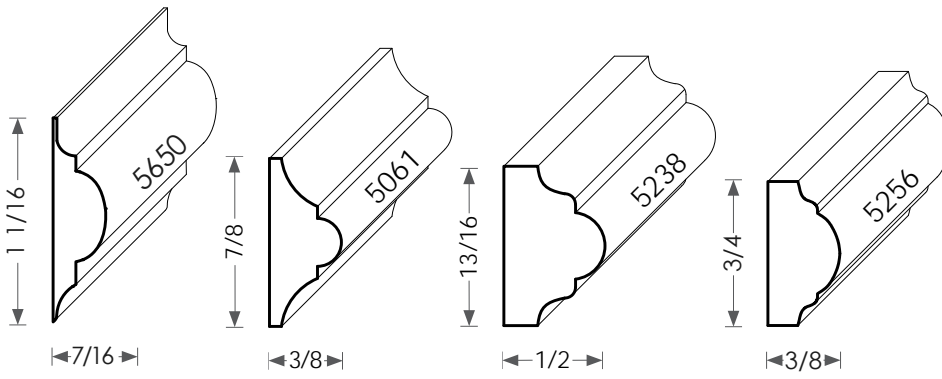
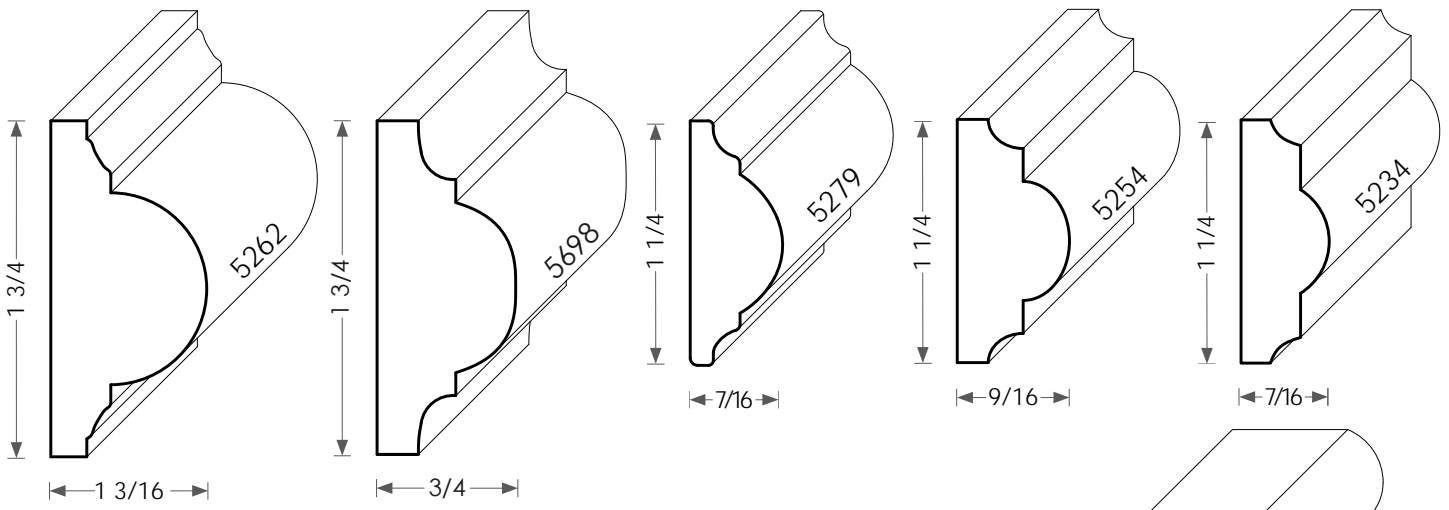
# PANEL MOLD & BASE CAP

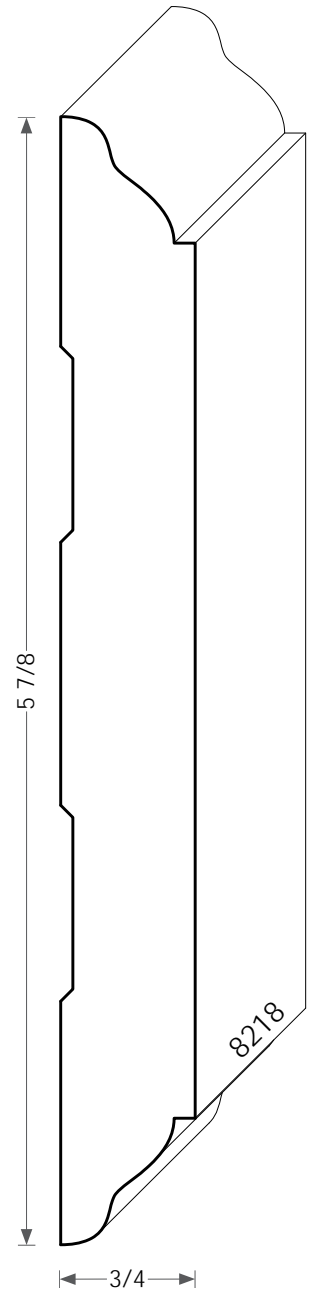
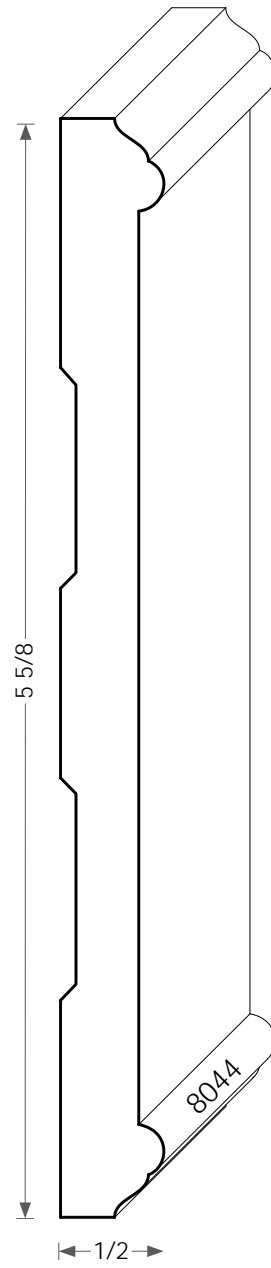
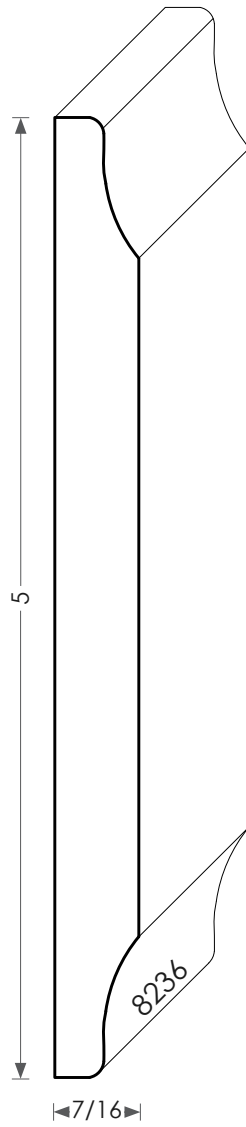
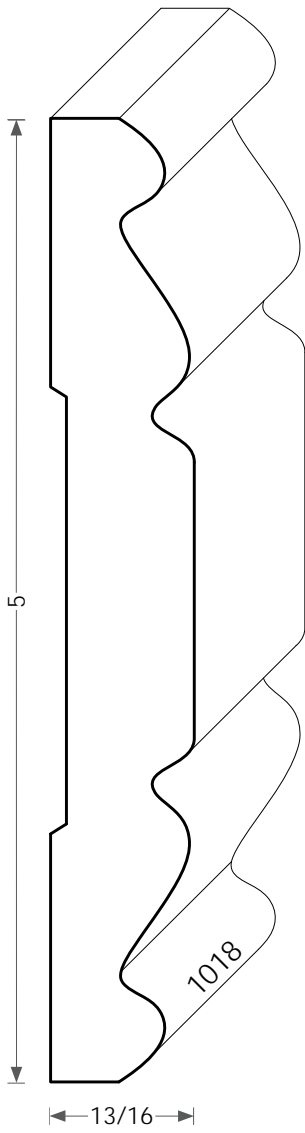
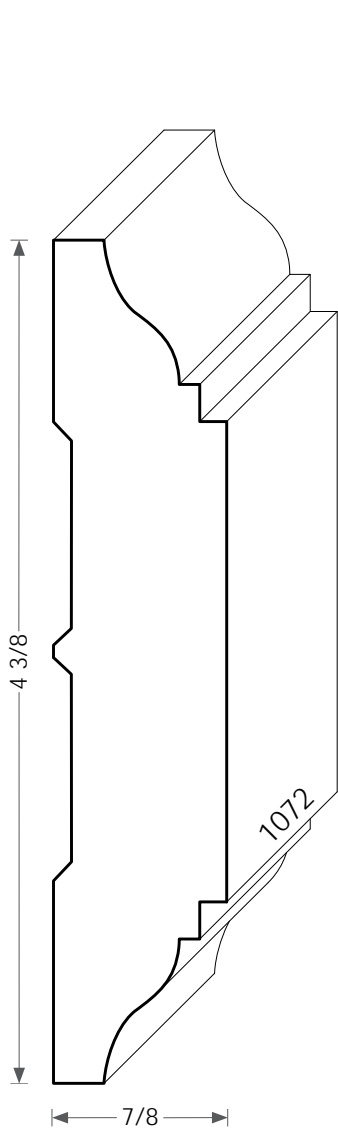
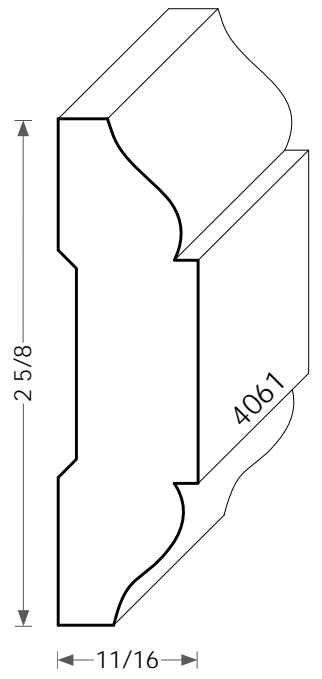
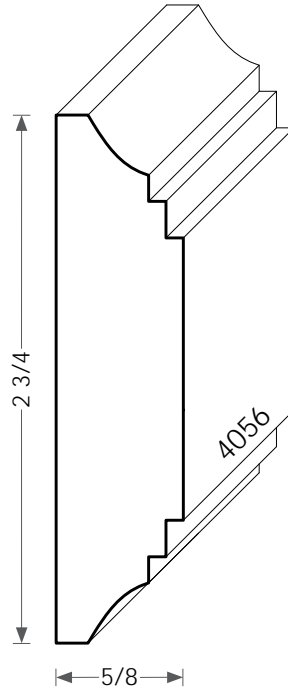
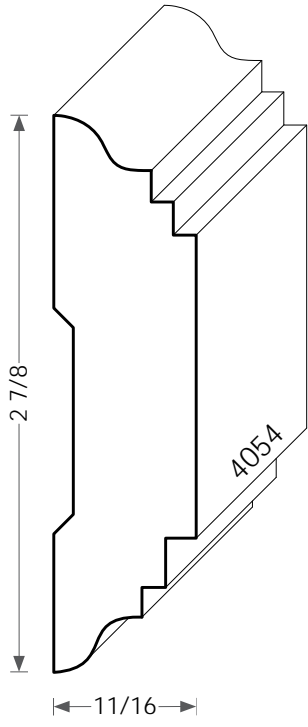
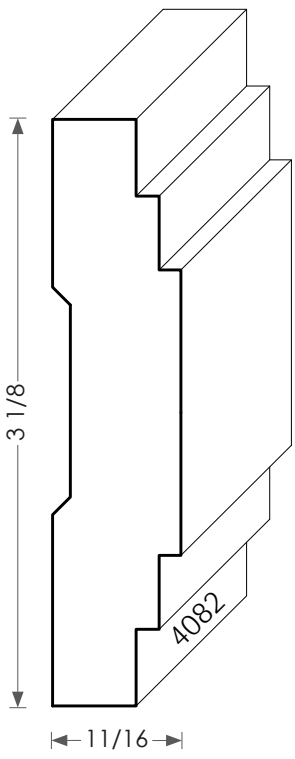
TRANSITION, BOLECTION



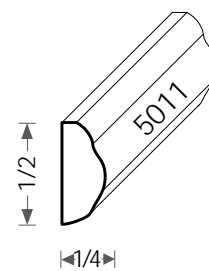
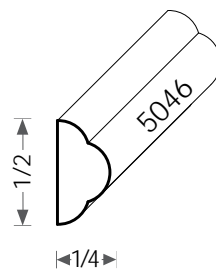
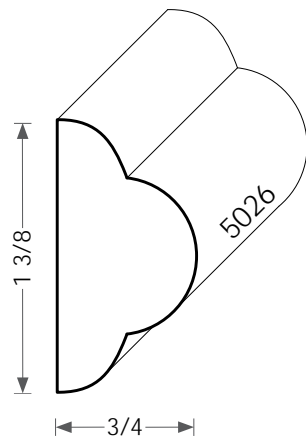
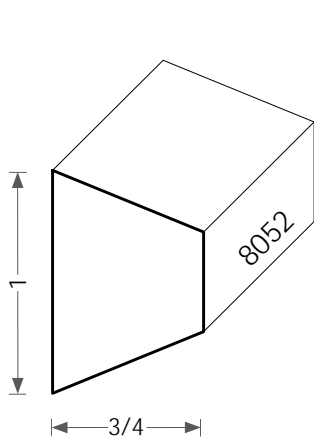
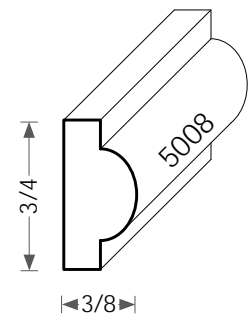
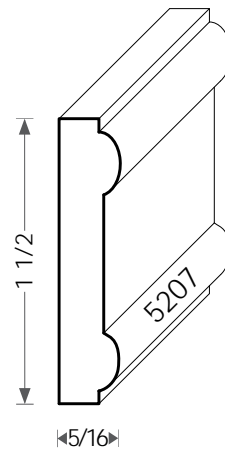
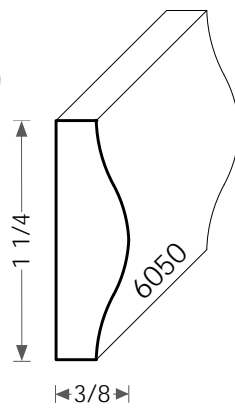
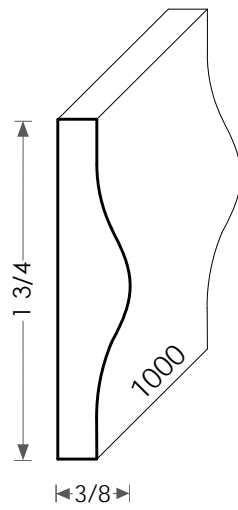
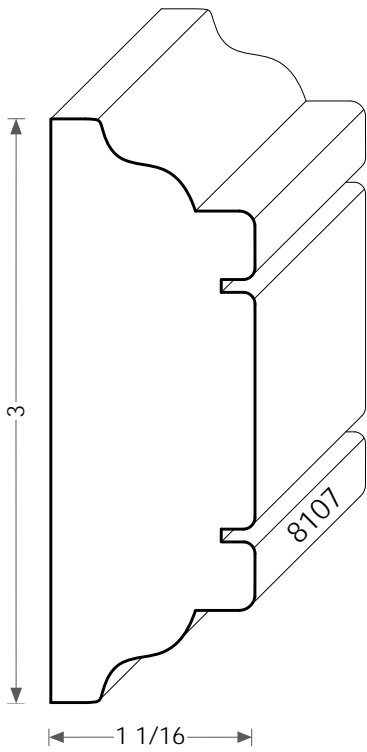
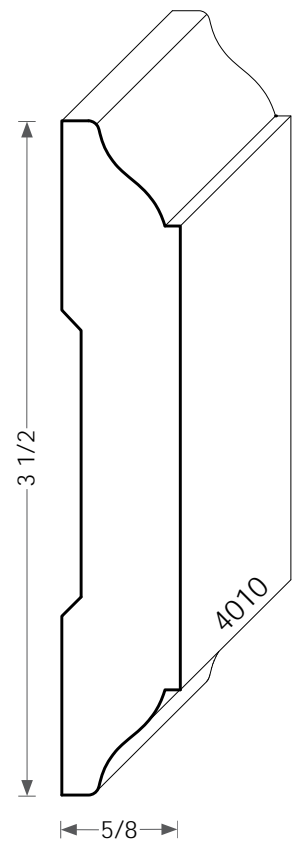
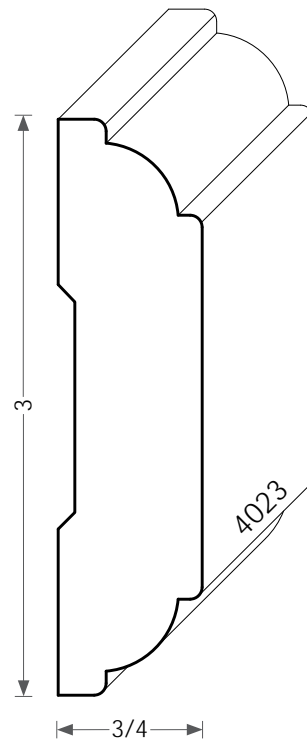
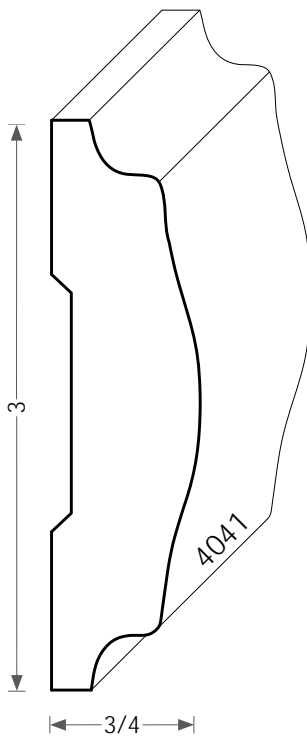
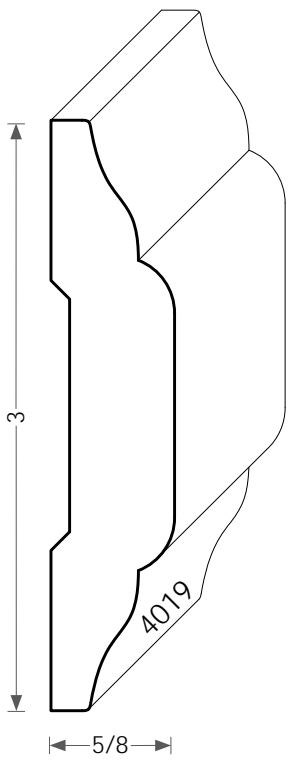


ASTRAGALS

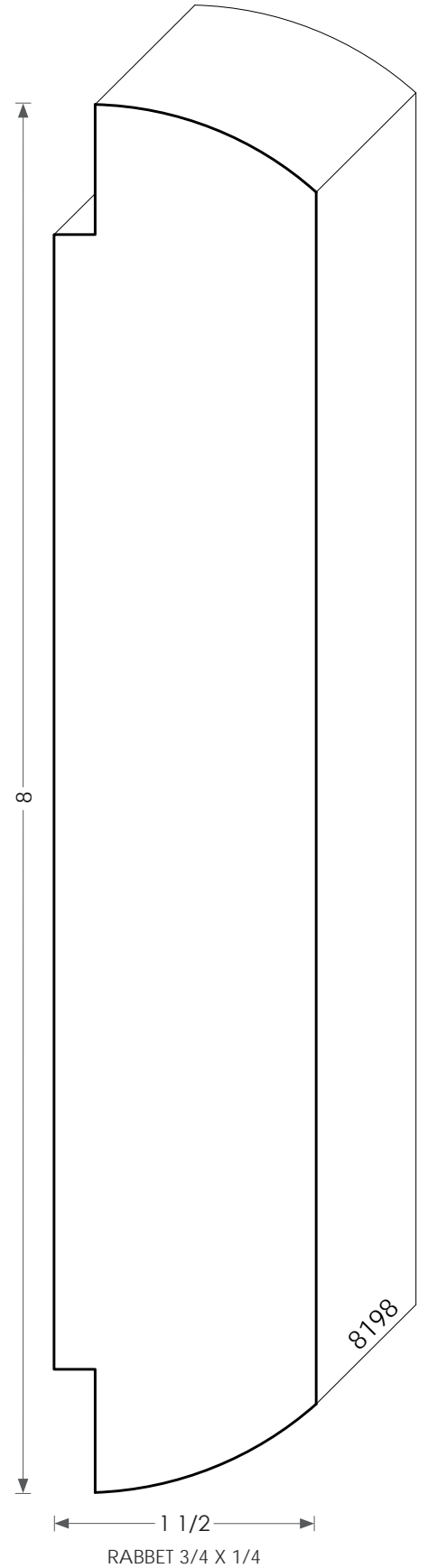
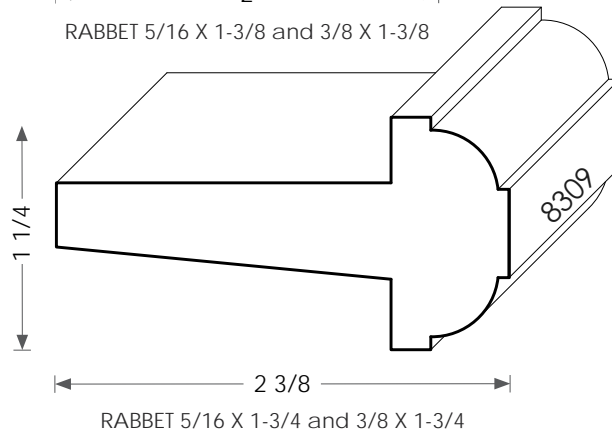
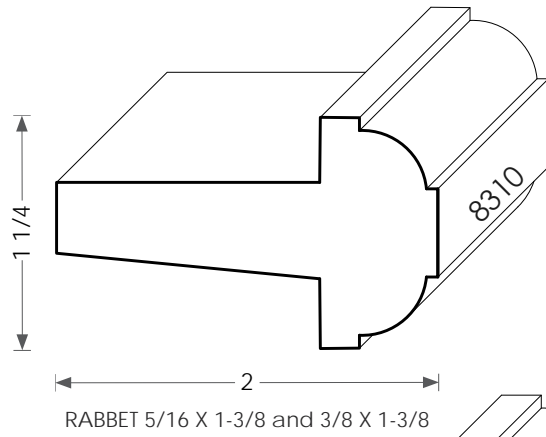
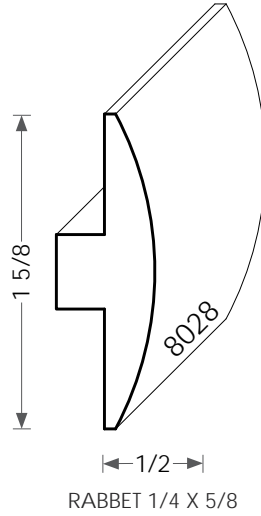
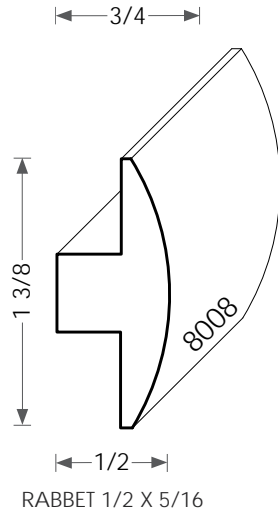
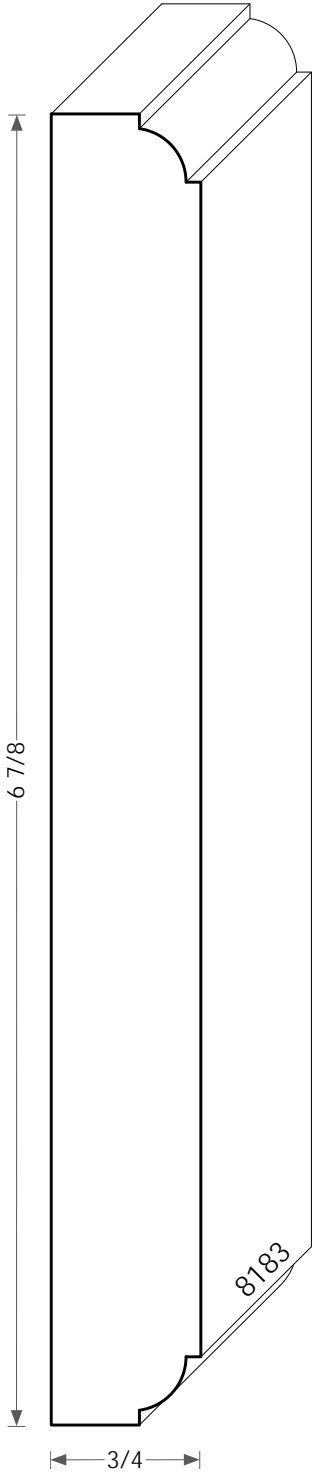
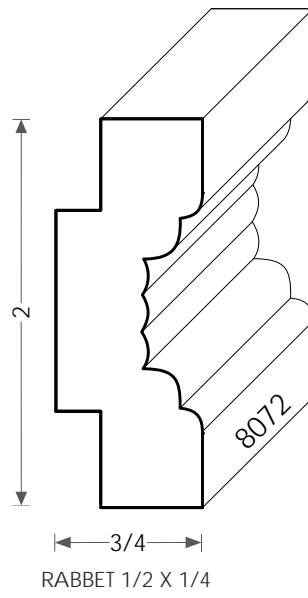
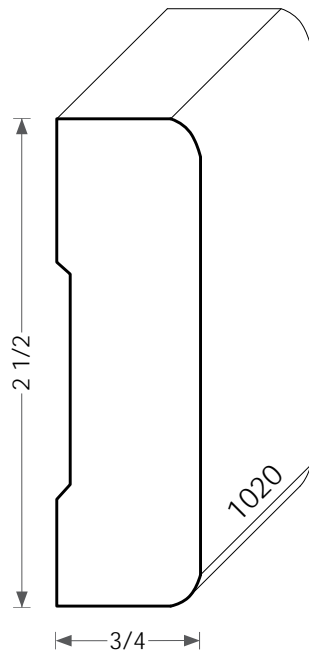
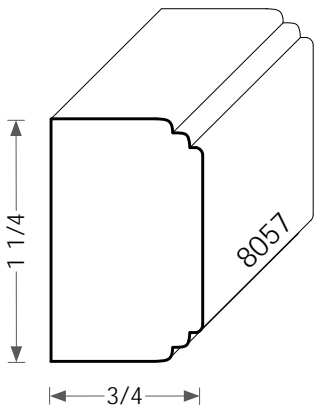


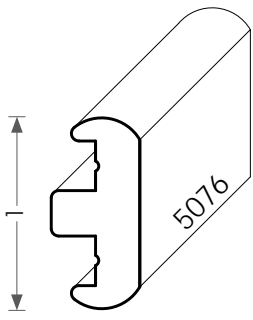


ASTRAGALS

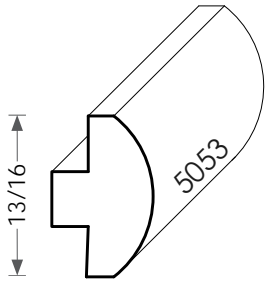




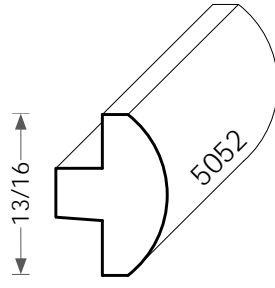




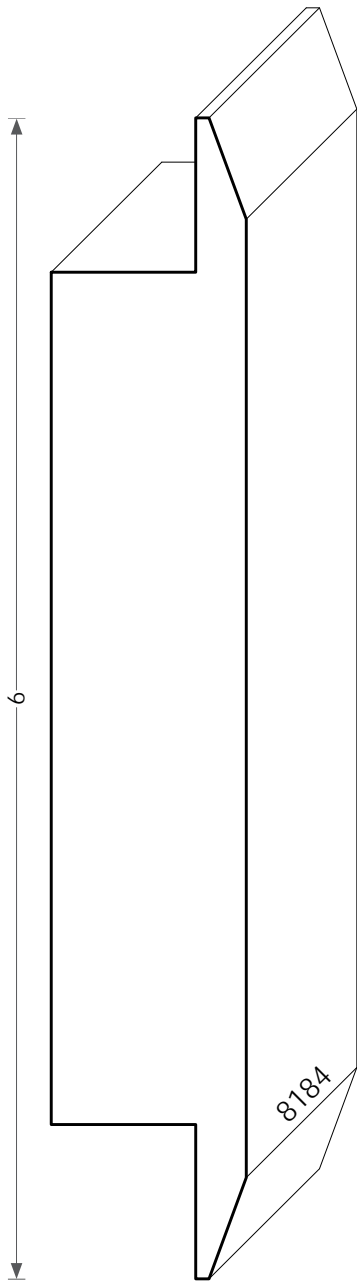
7/16  
RABBET 1/4 X 1/4



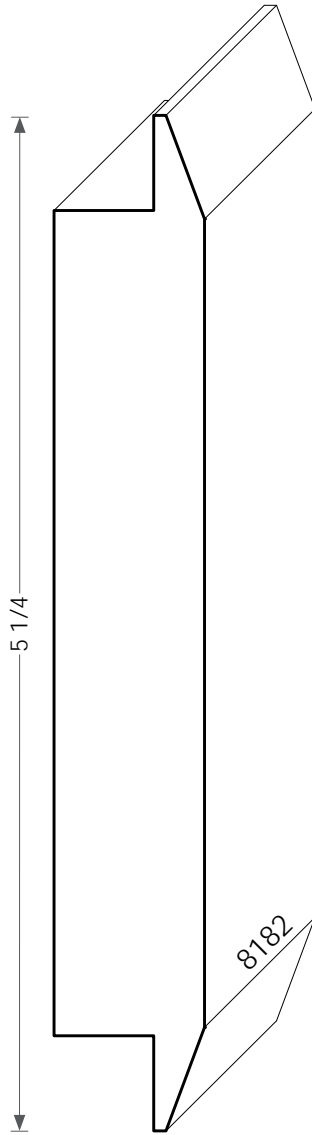
13/16  
1/2  
RABBET 1/4 X 3/16



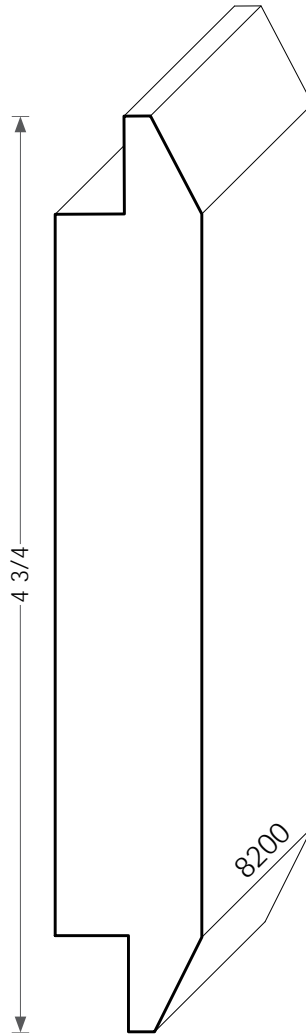
13/16  
9/16  
RABBET 1/4 X 1/4



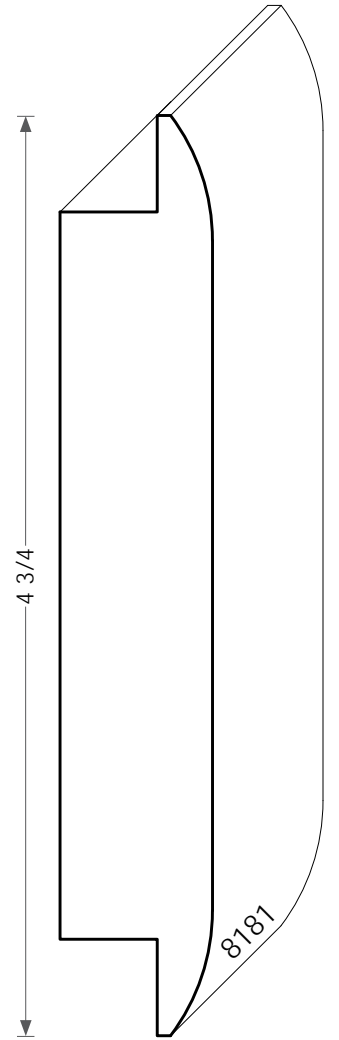
6  
1  
RABBET 3/4 X 13/16



5 1/4  
3/4  
RABBET 1/2 X 1/2

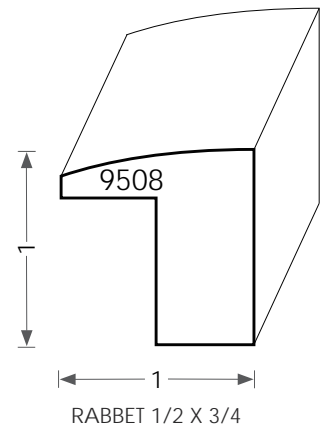
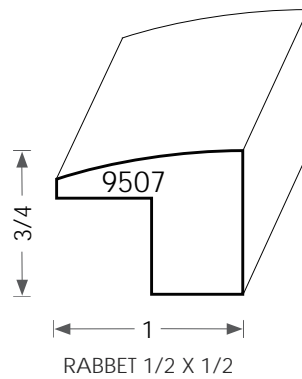
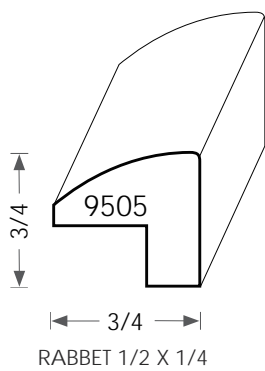
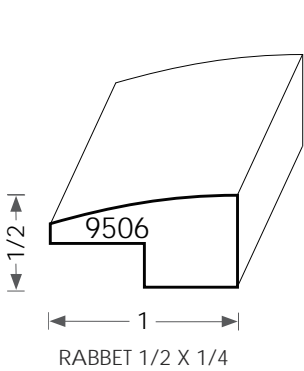
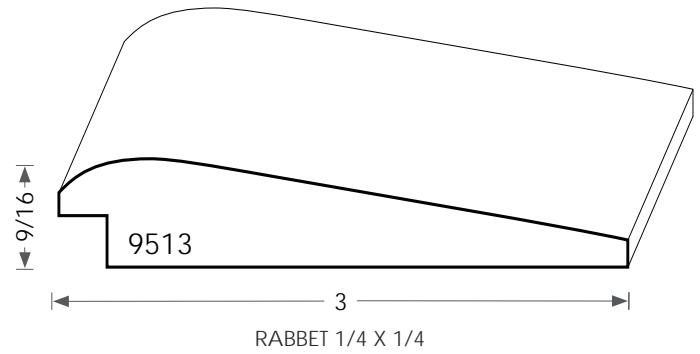
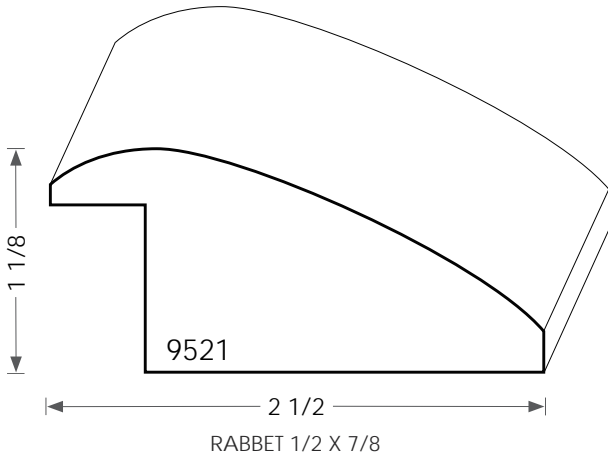
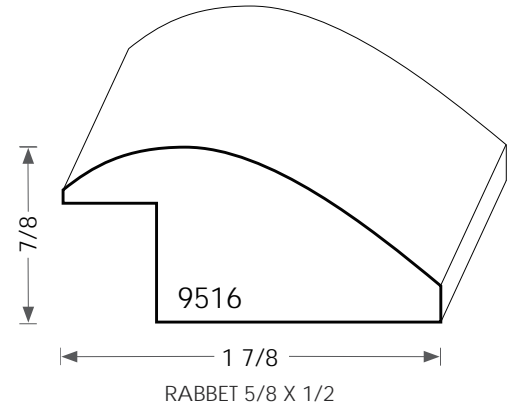
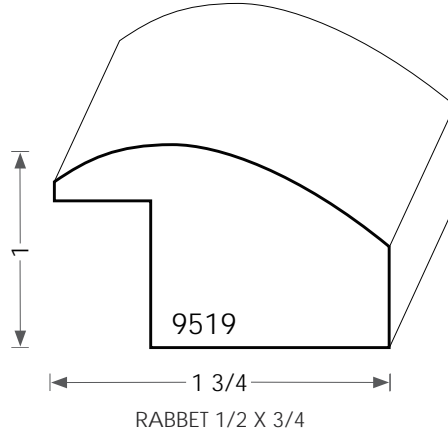
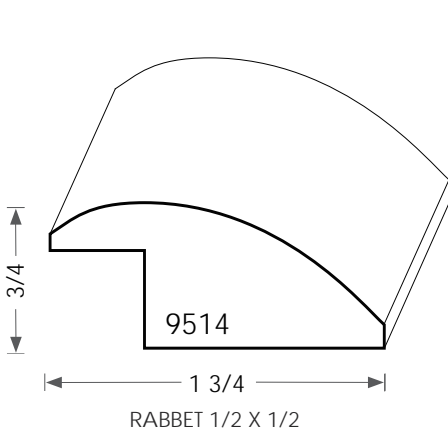
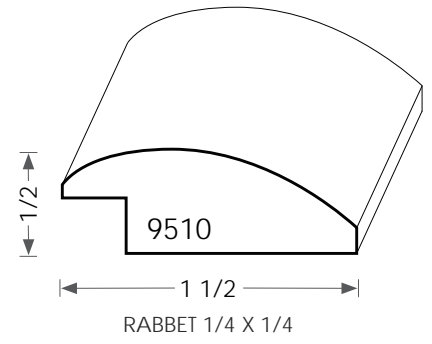
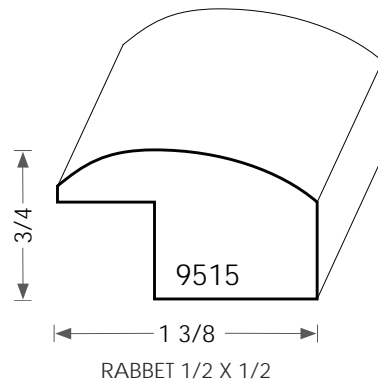
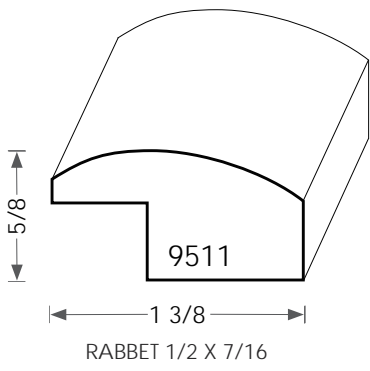


4 3/4  
3/4  
RABBET 1/2 X 3/8

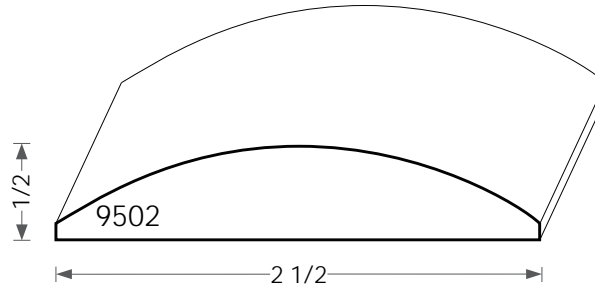
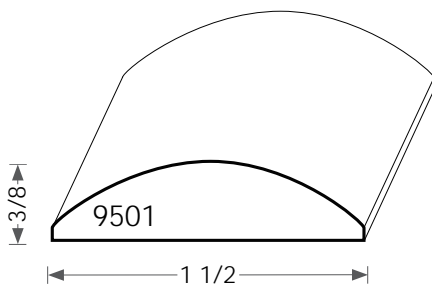
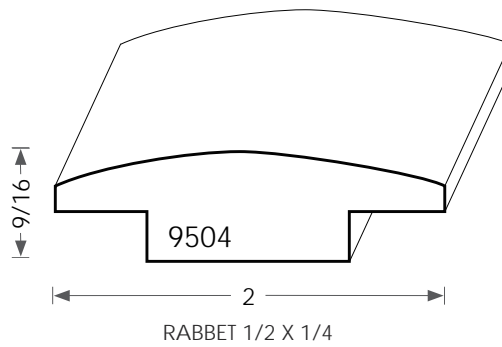
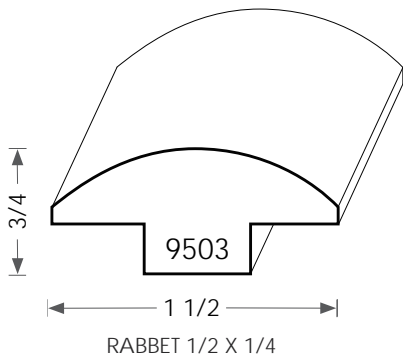
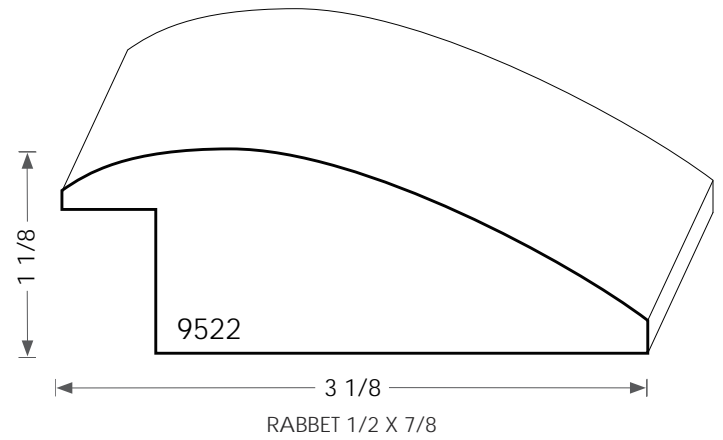
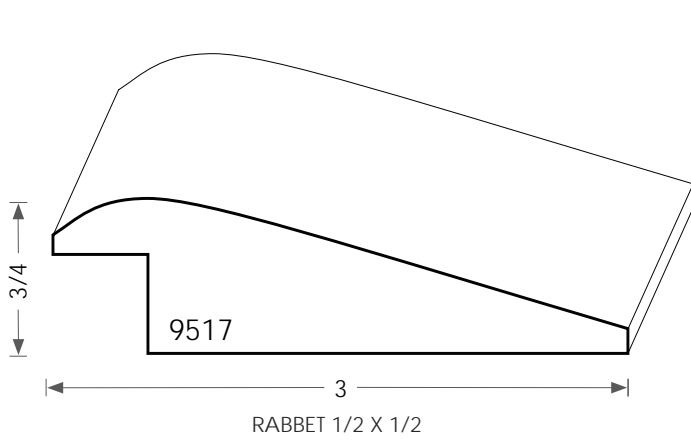
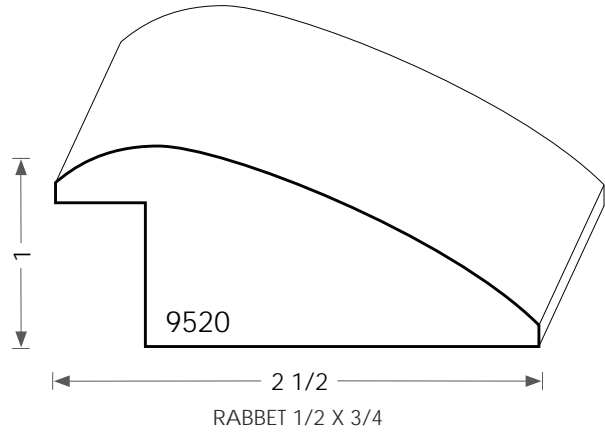
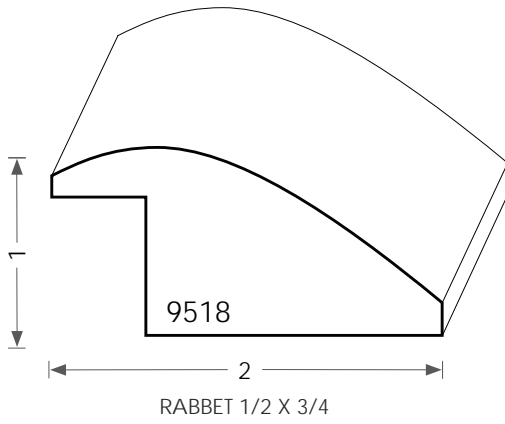
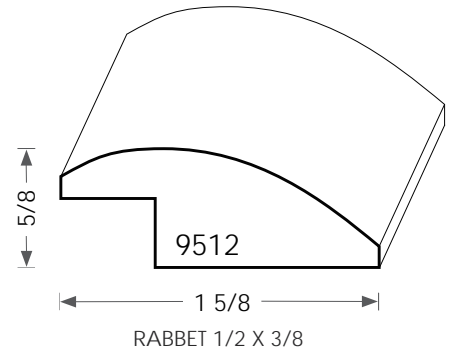
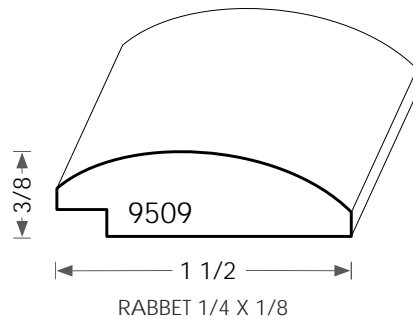
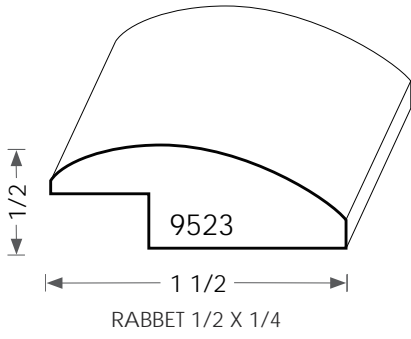


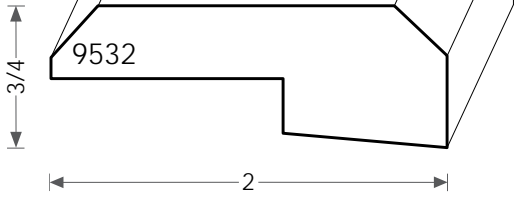
4 3/4  
3/4  
RABBET 1/2 X 1/2

ASTRAGALS

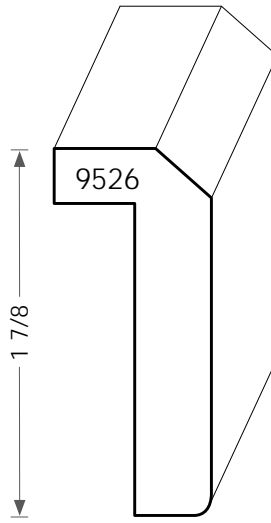


TRANSITION MOLD

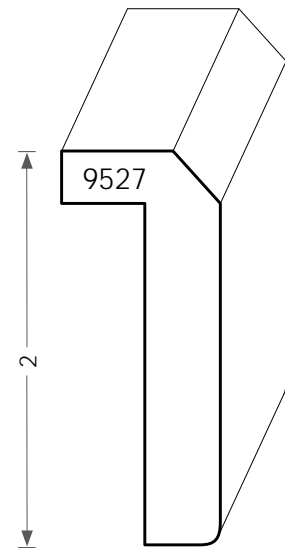




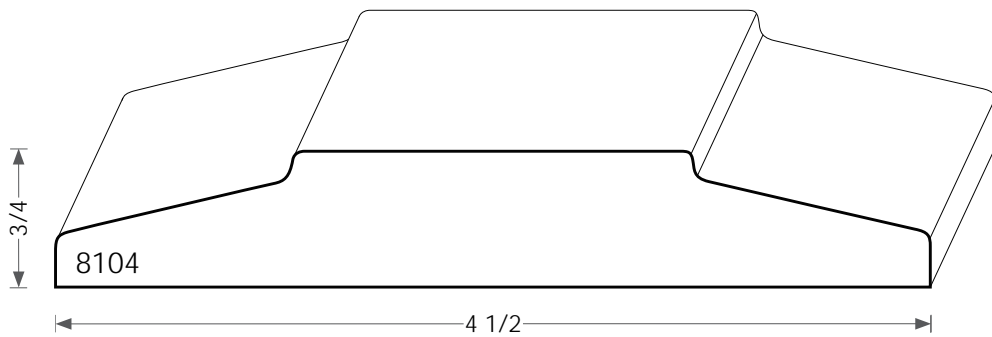
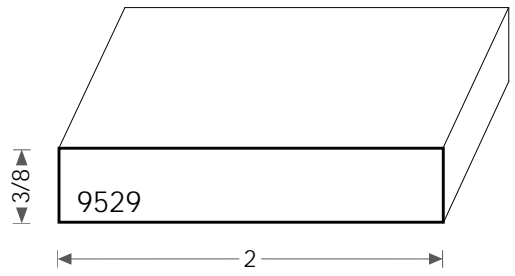
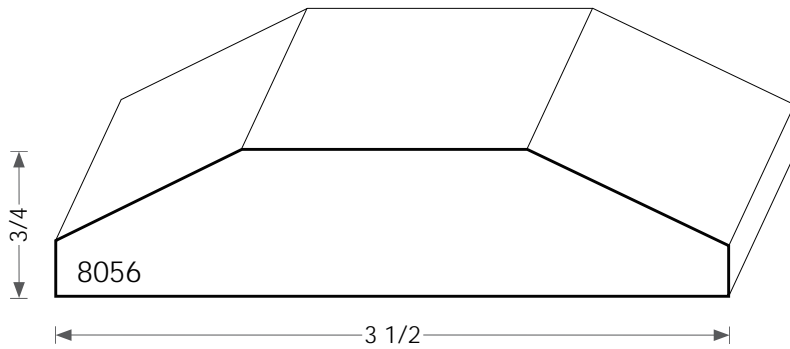
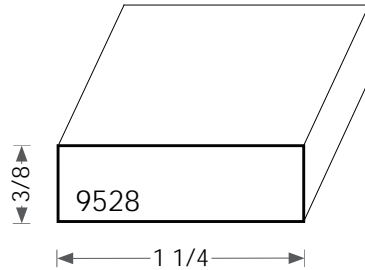
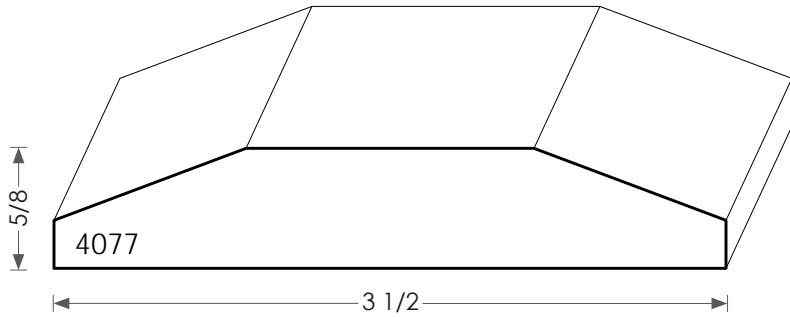
RABBET 3/8 X 1-3/16



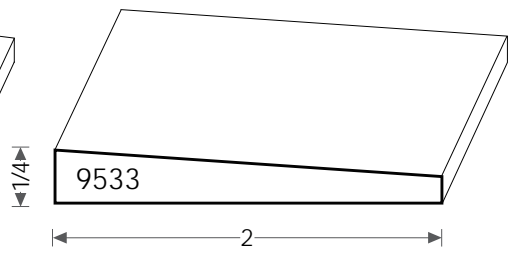
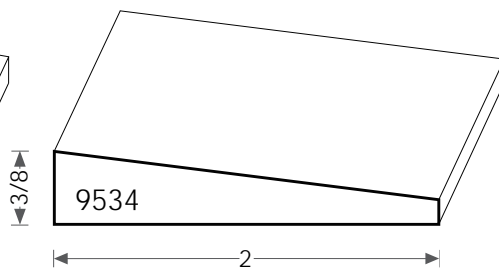
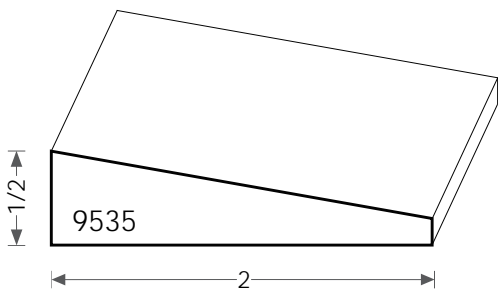
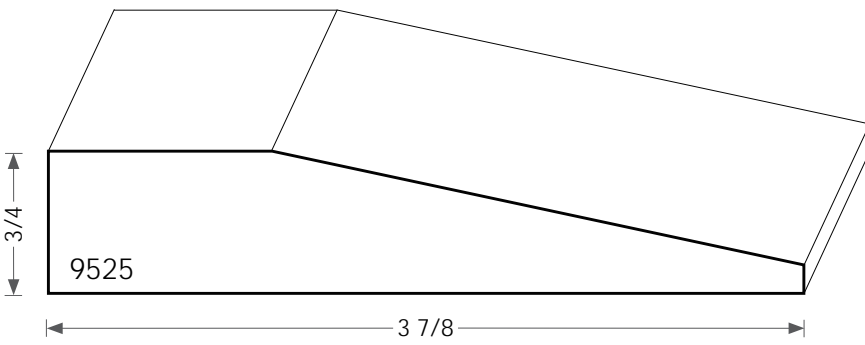
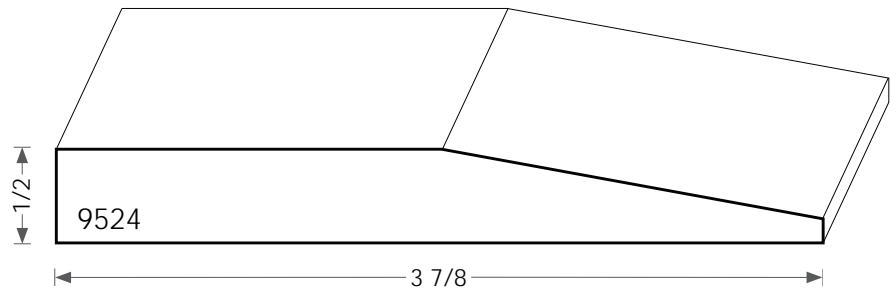
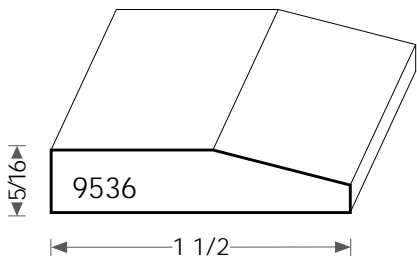
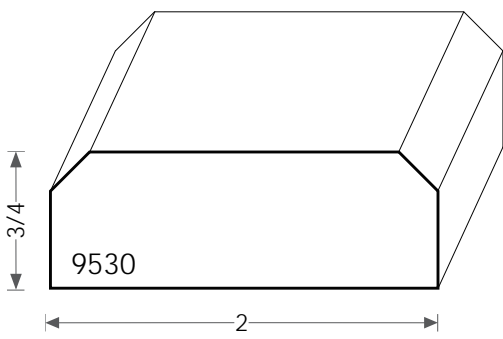
RABBET 1-5/8 X 3/8

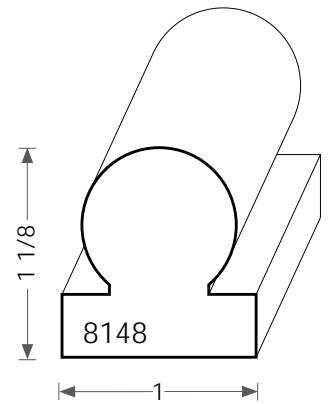
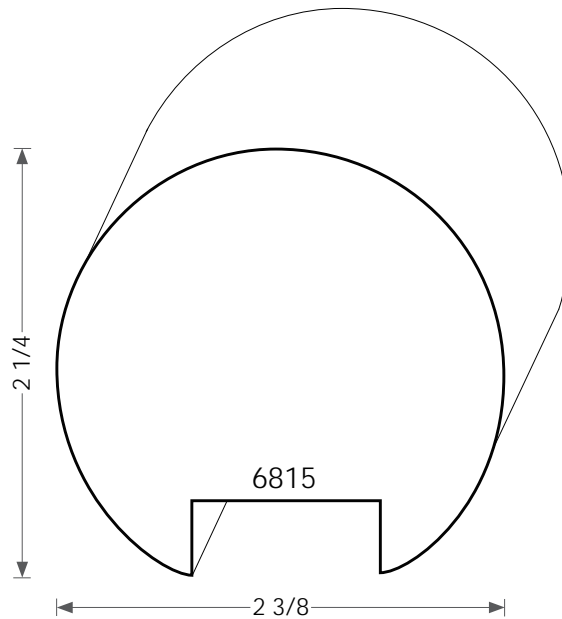
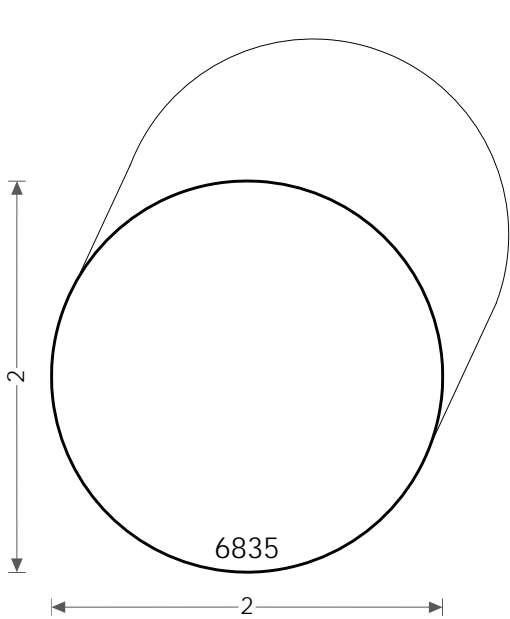
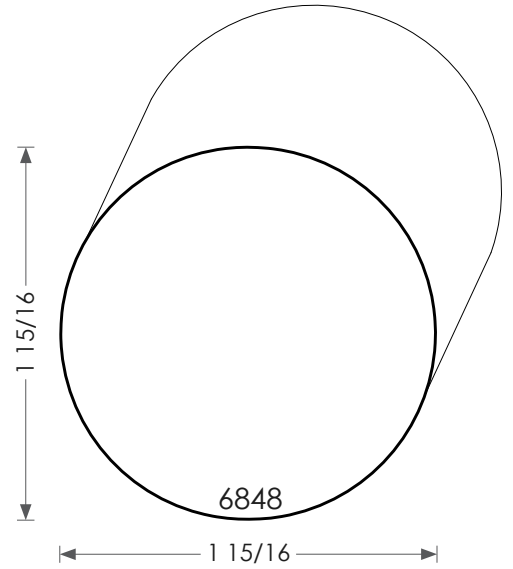
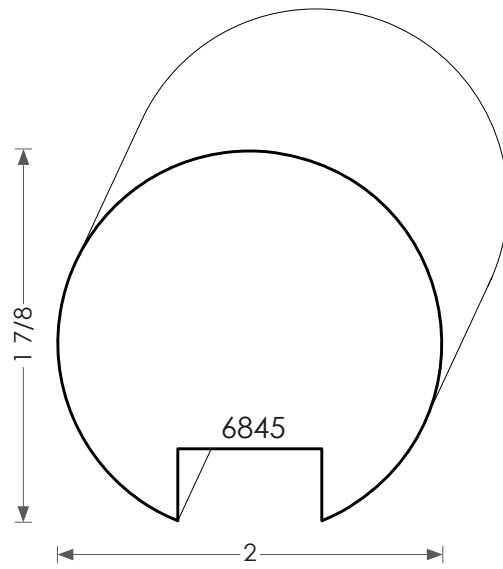
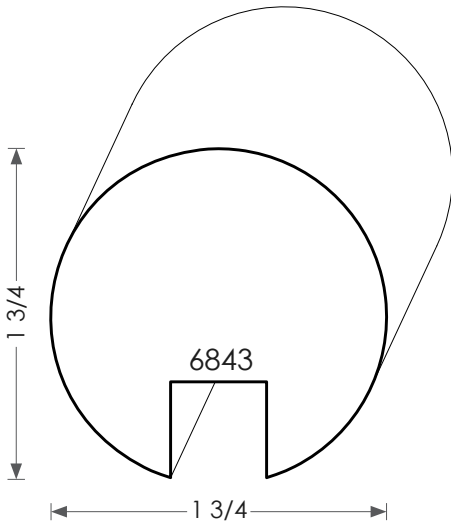
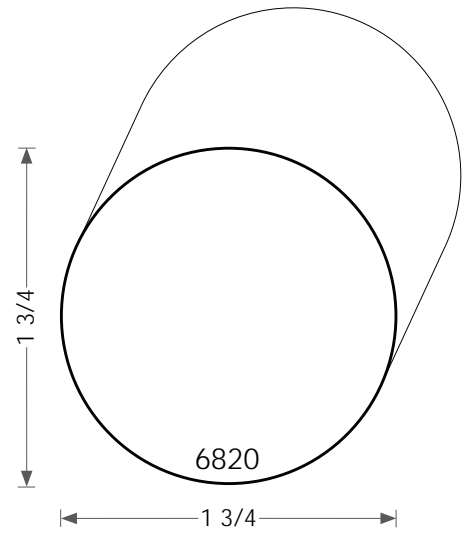
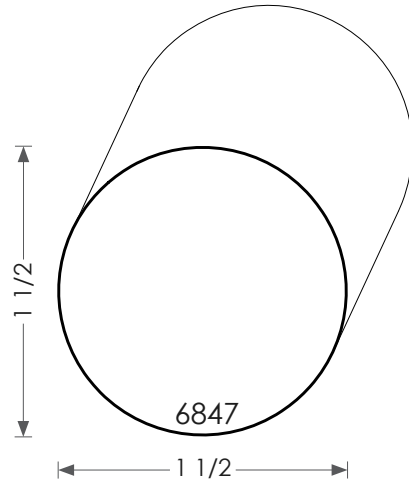
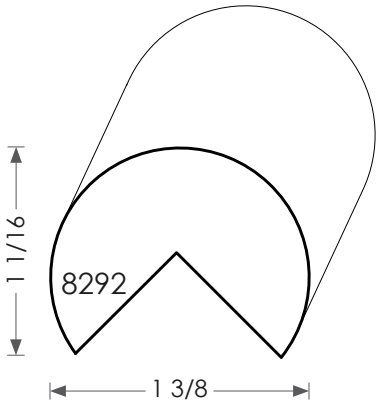


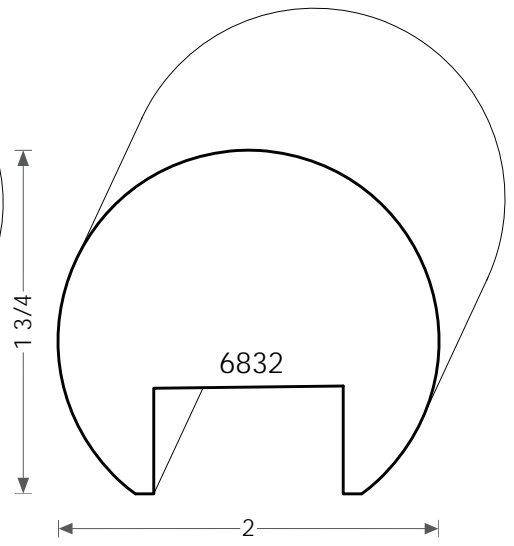
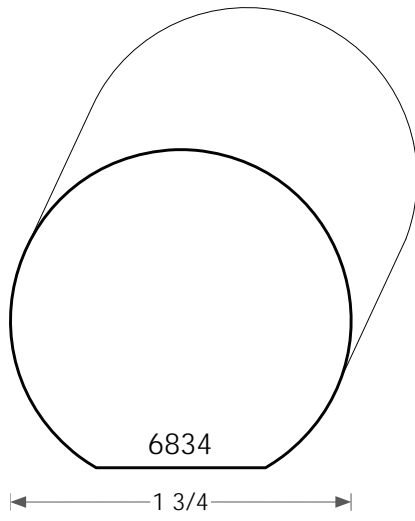
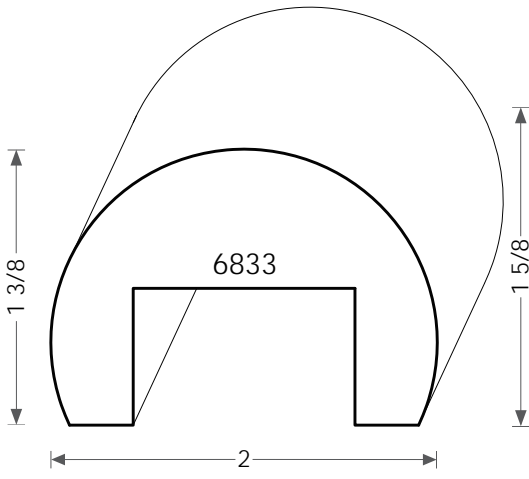
RABBET 1-3/4 X 3/8



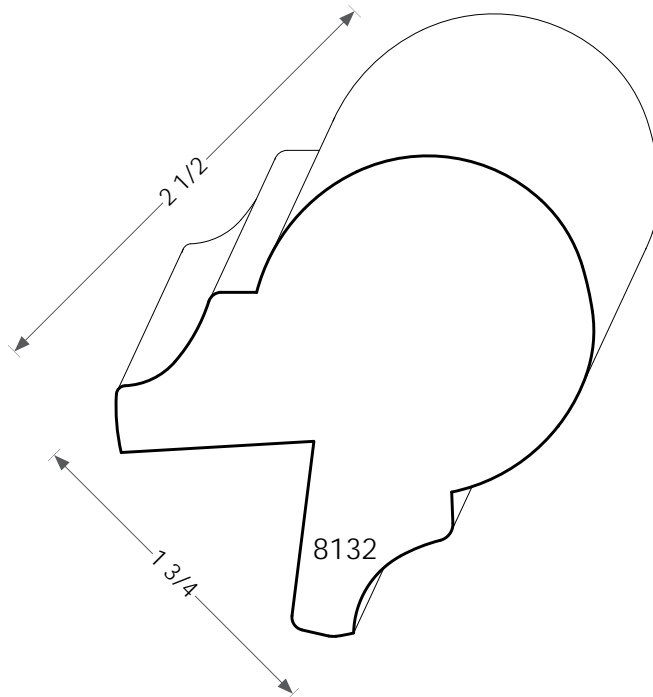
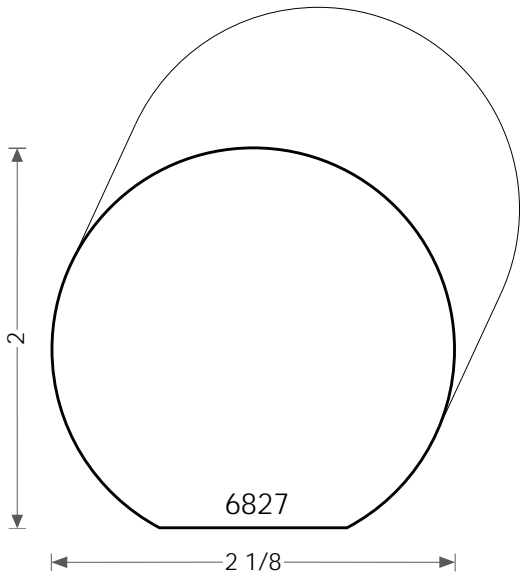
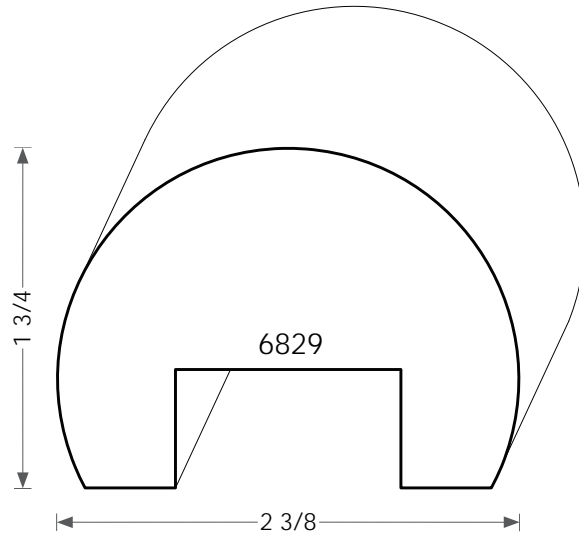
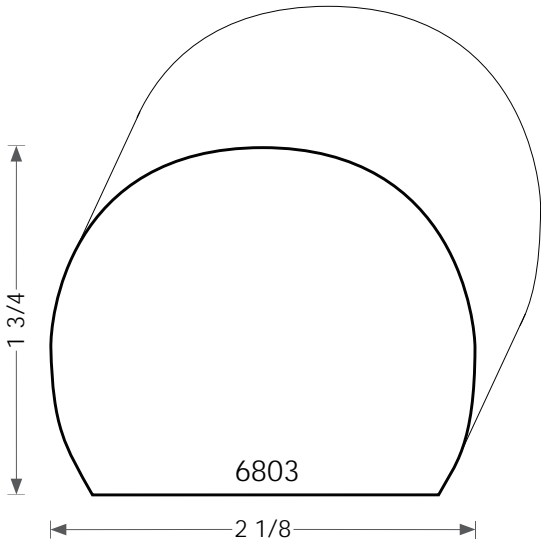
TRANSITION MOLD  
THRESHOLDS



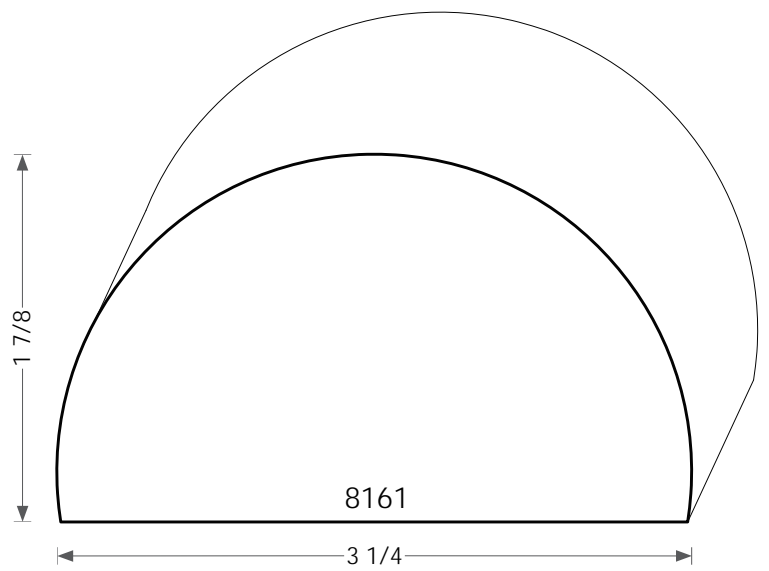
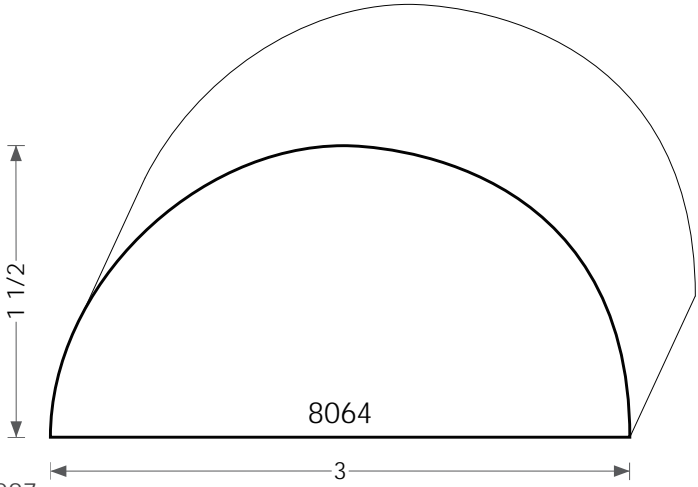
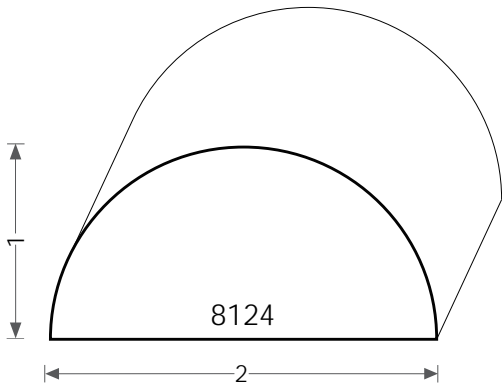
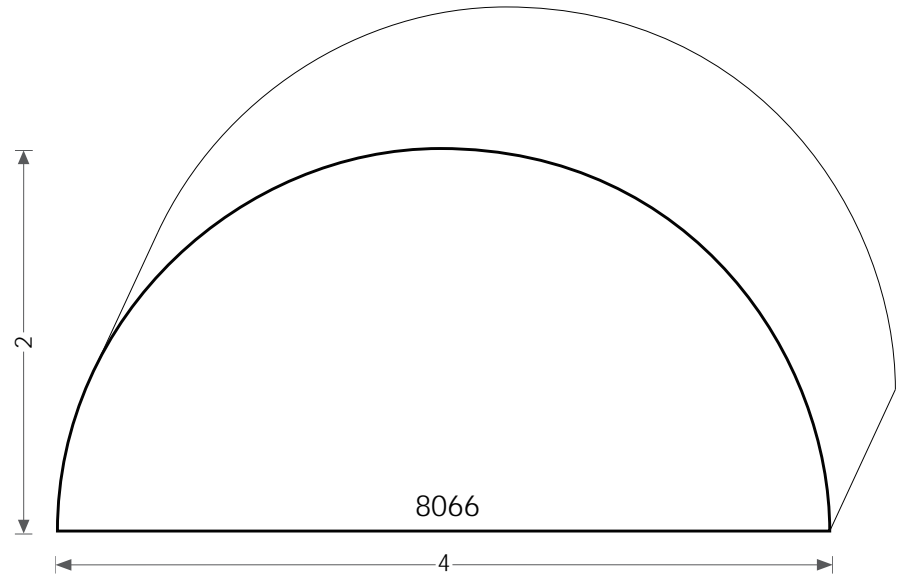
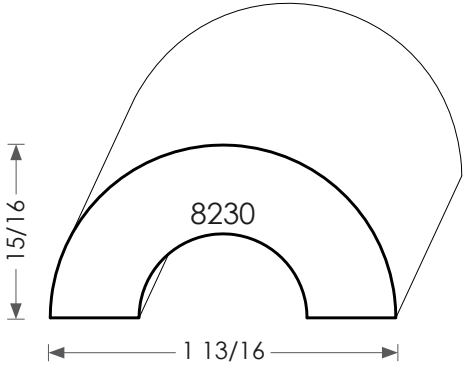
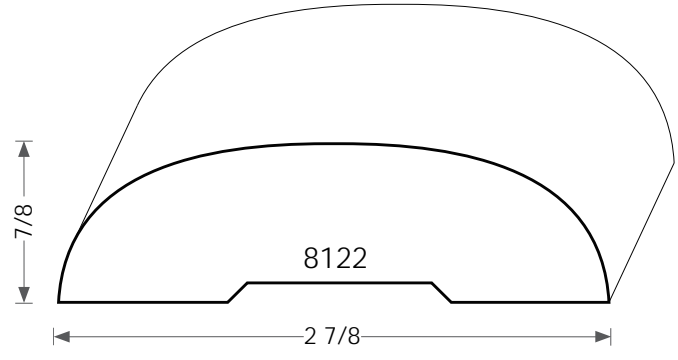
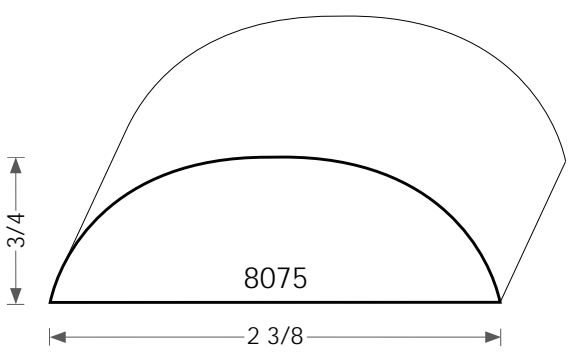
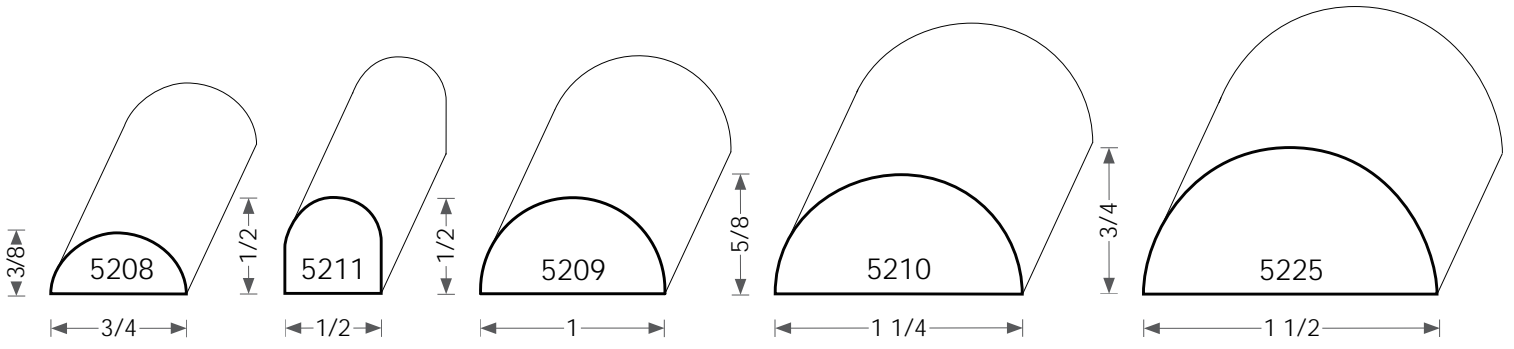


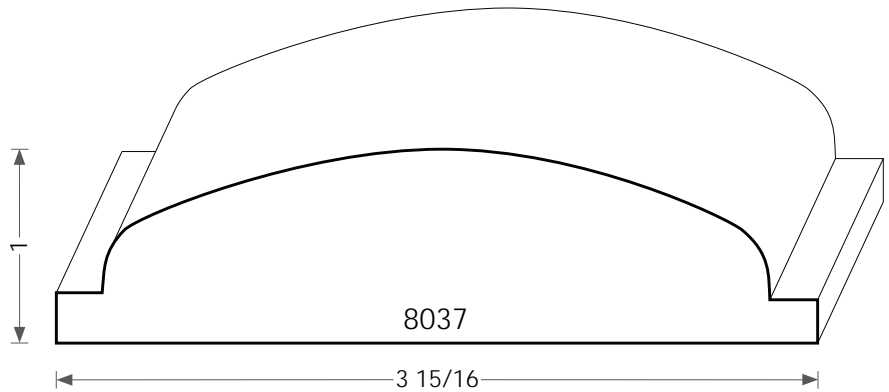
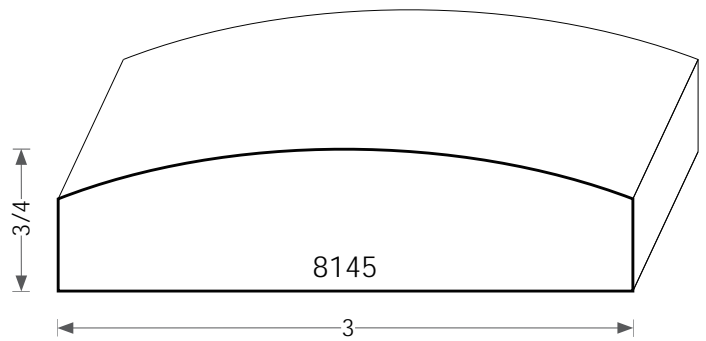
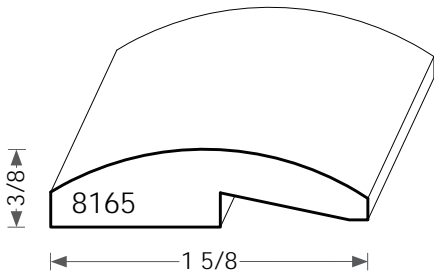
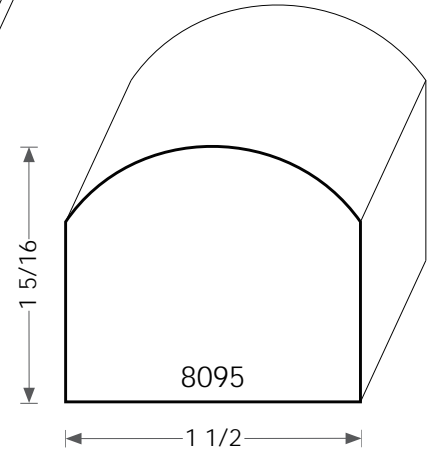
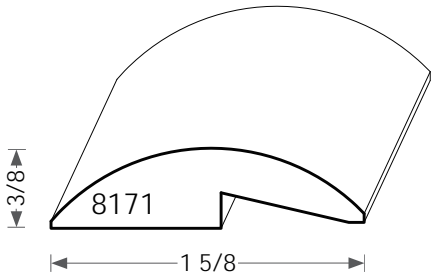
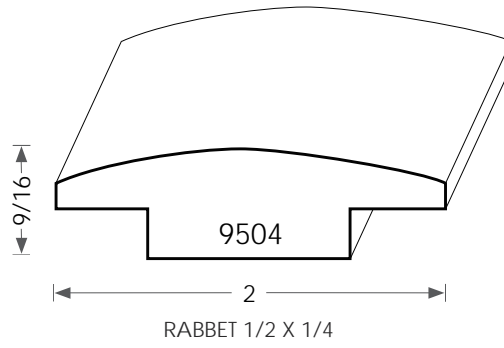
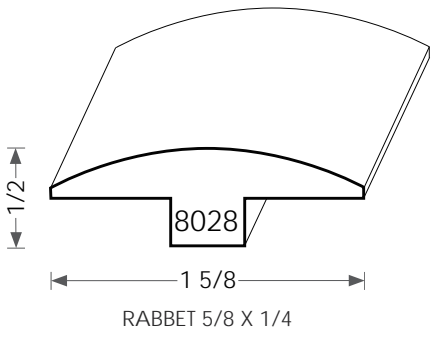
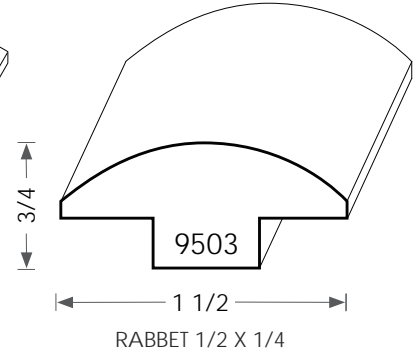
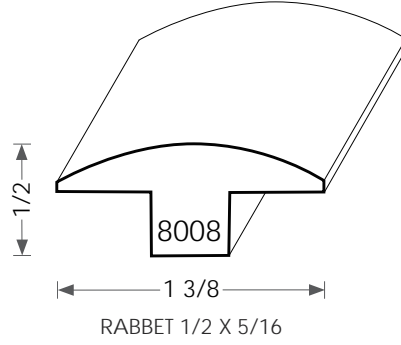
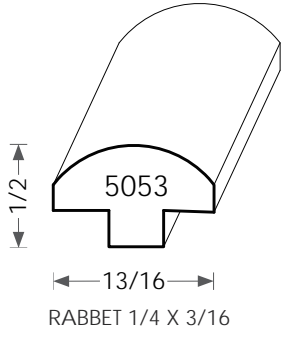
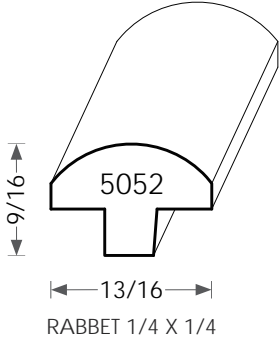
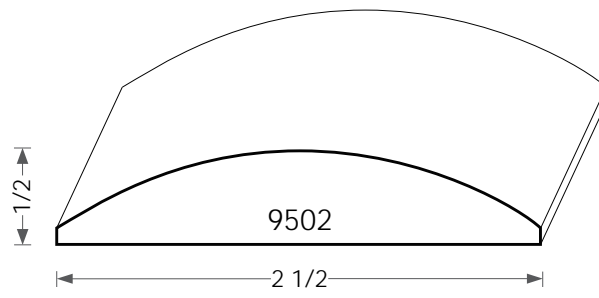
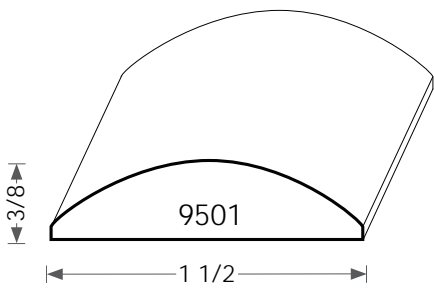


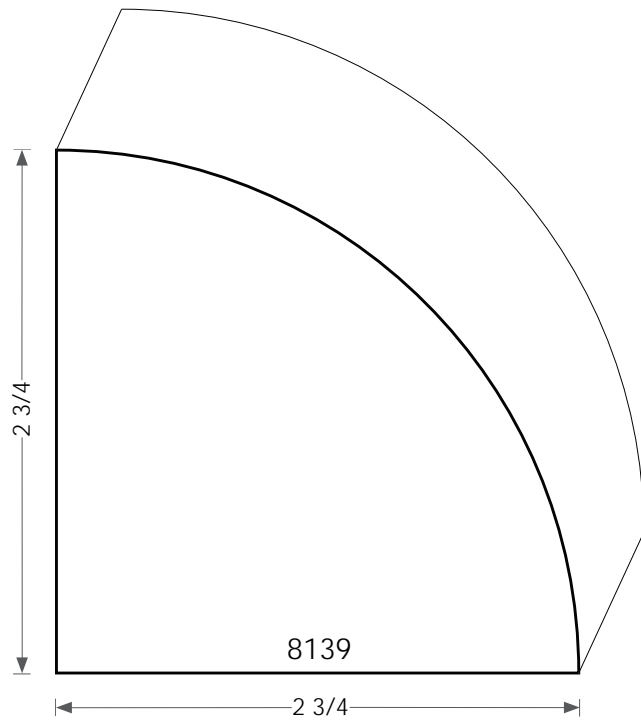
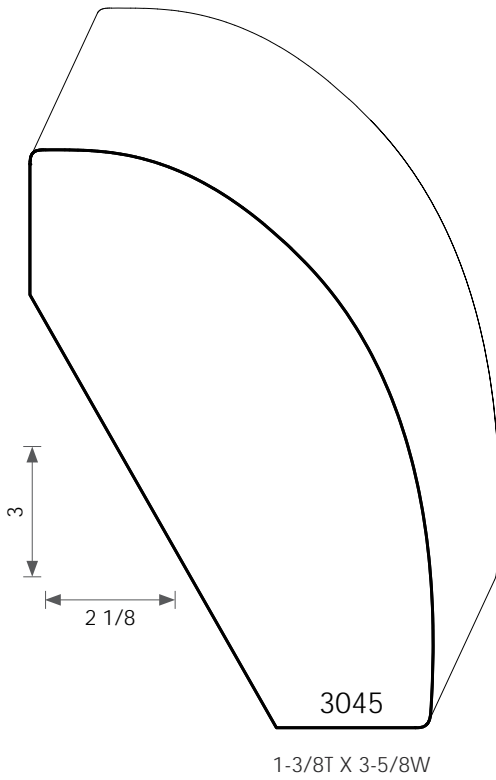
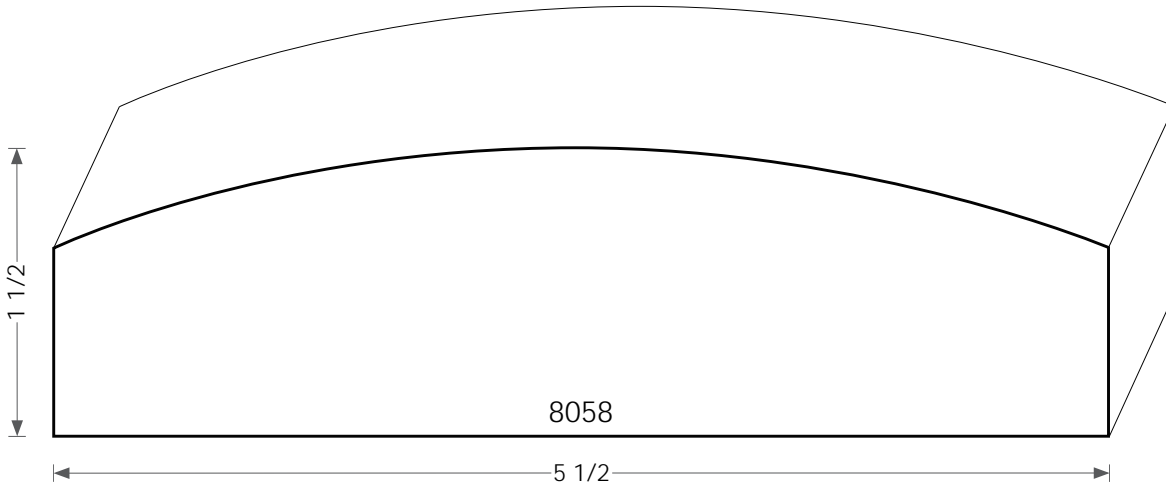
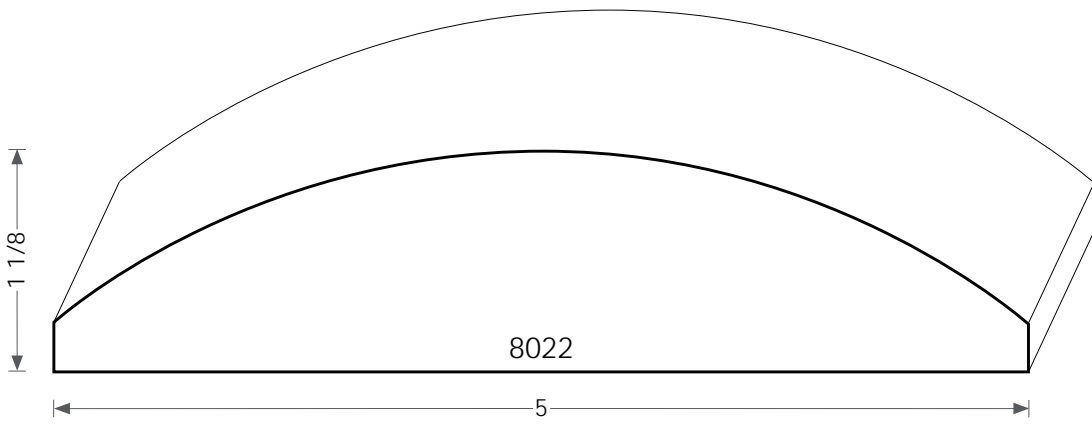
ROUND

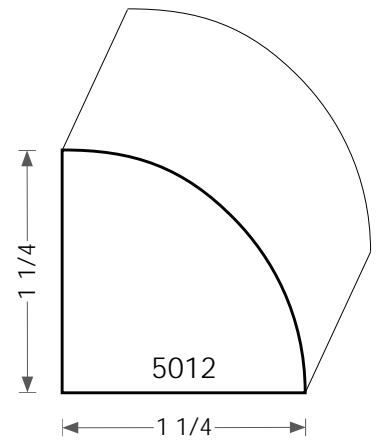
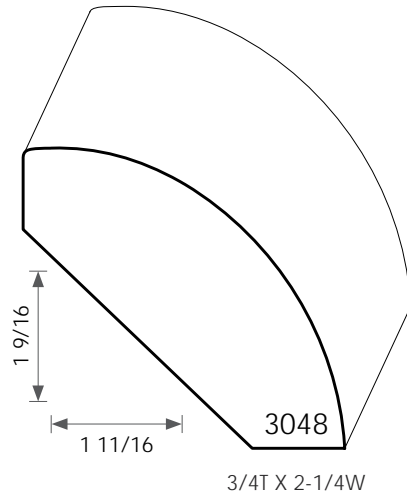
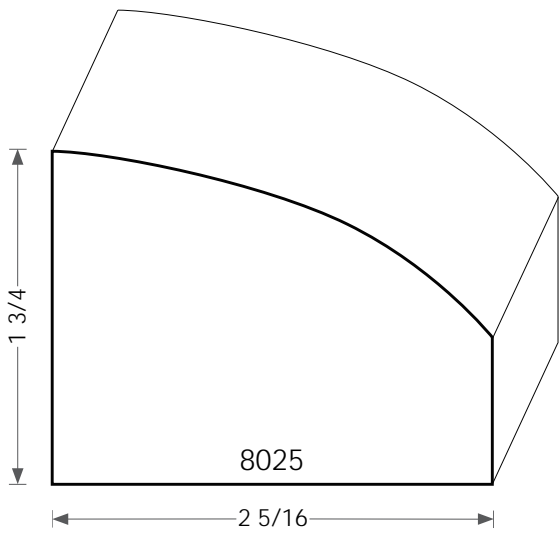




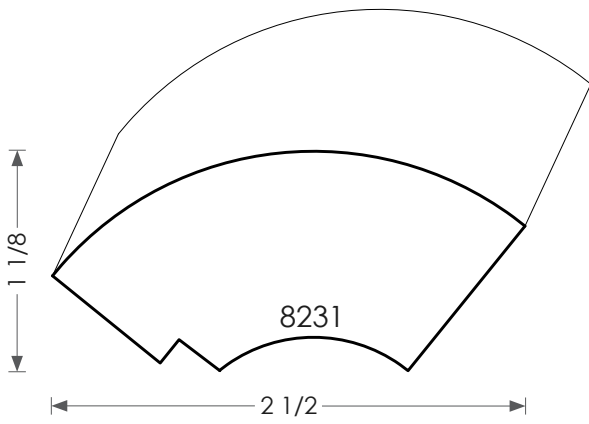
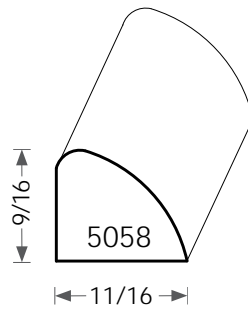
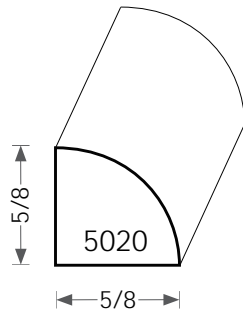
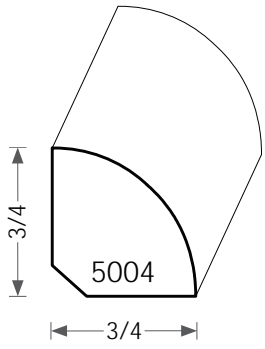


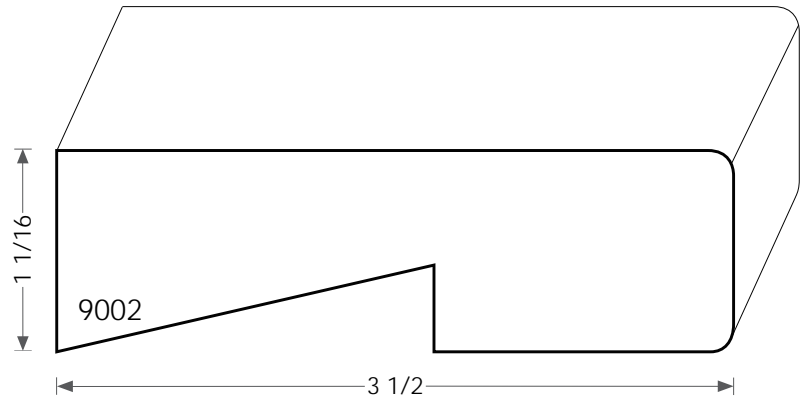
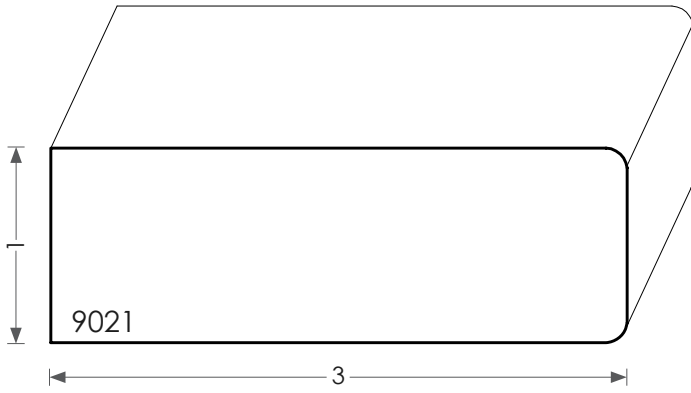
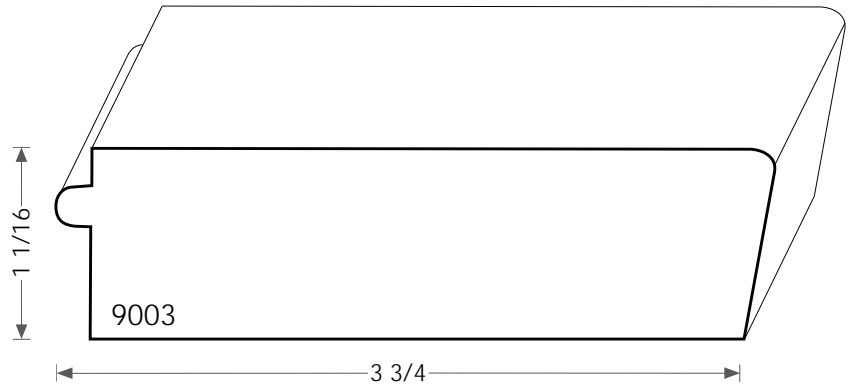
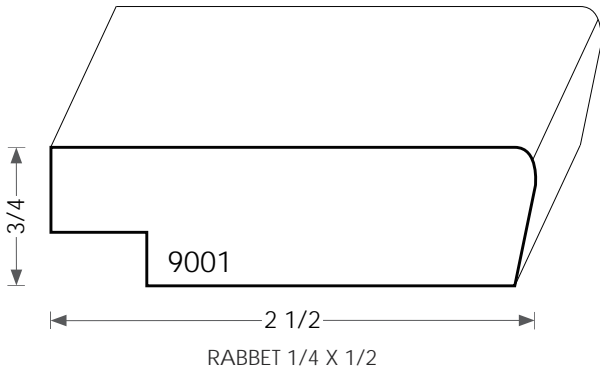


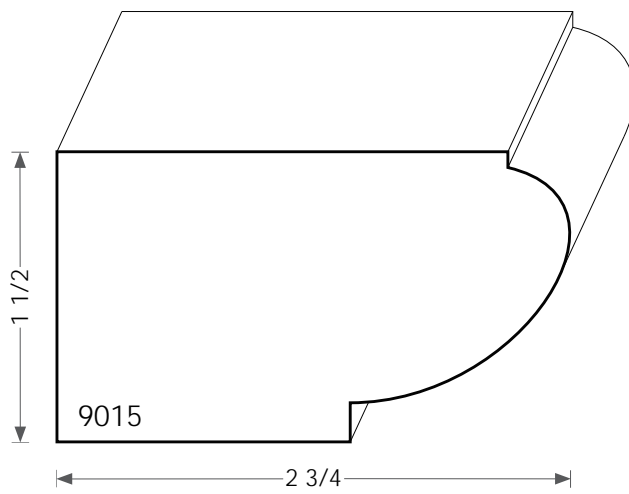
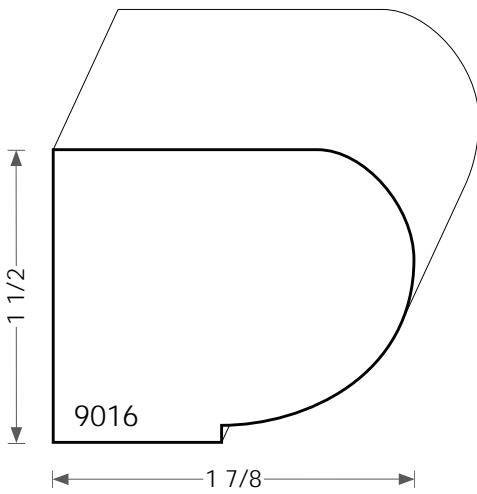
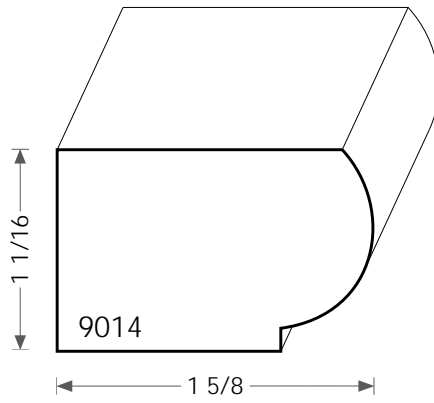
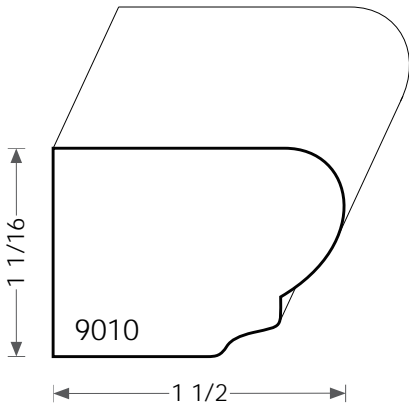
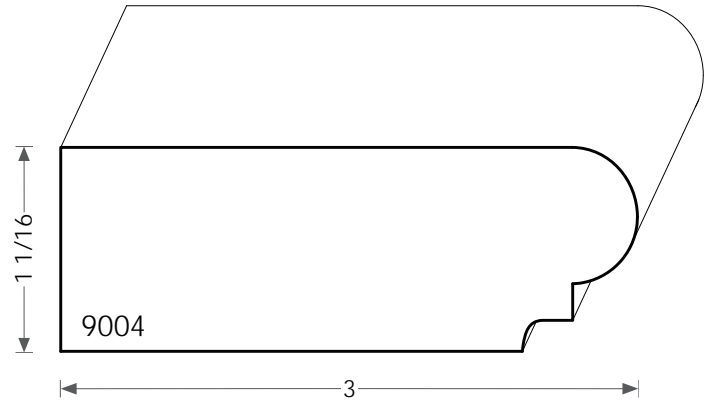
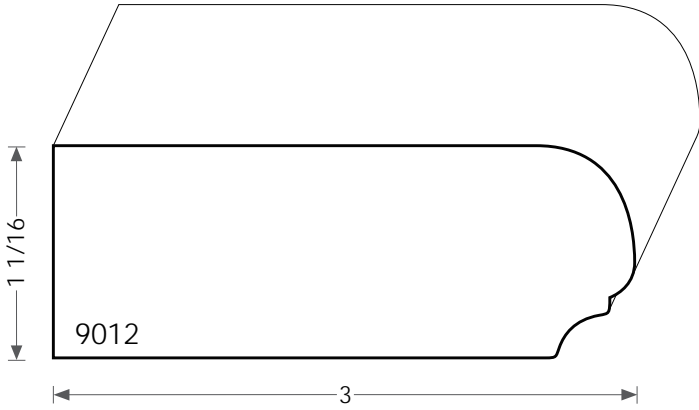
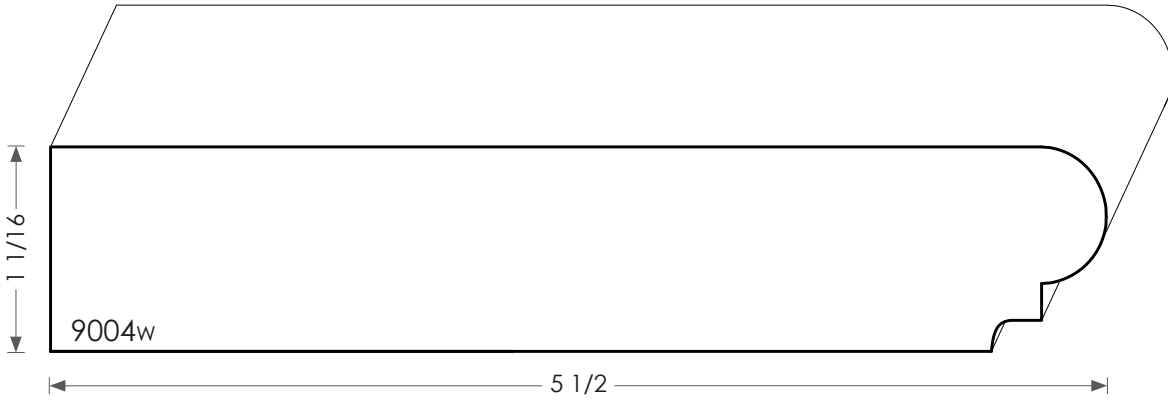


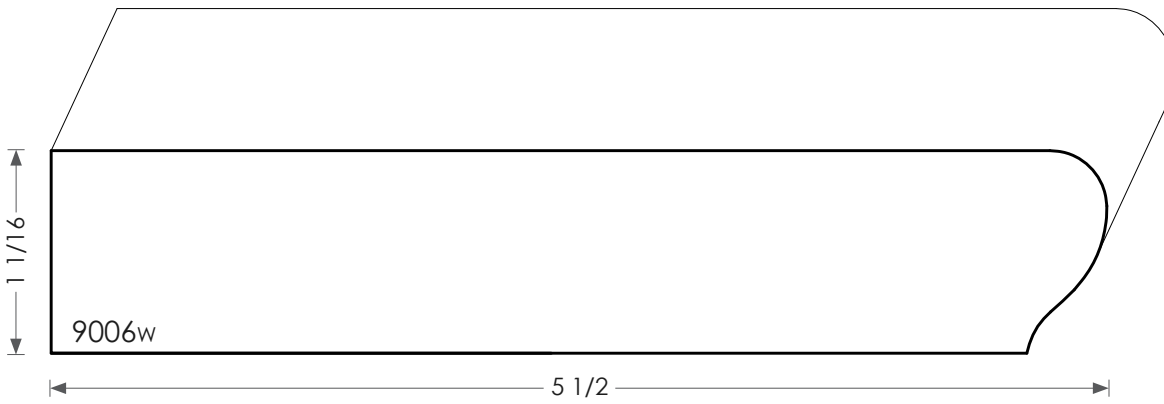
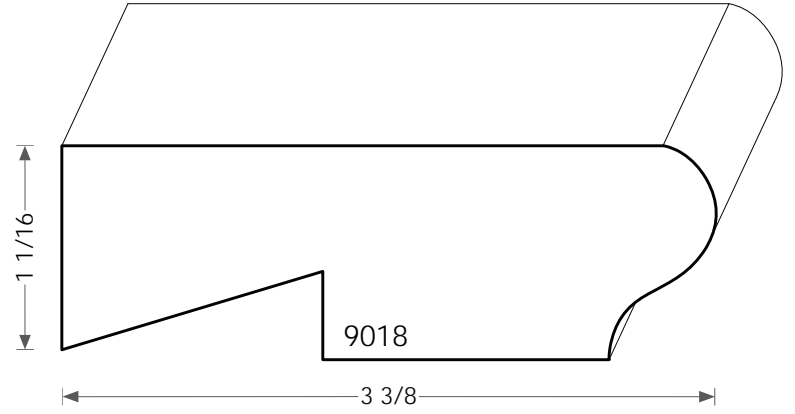
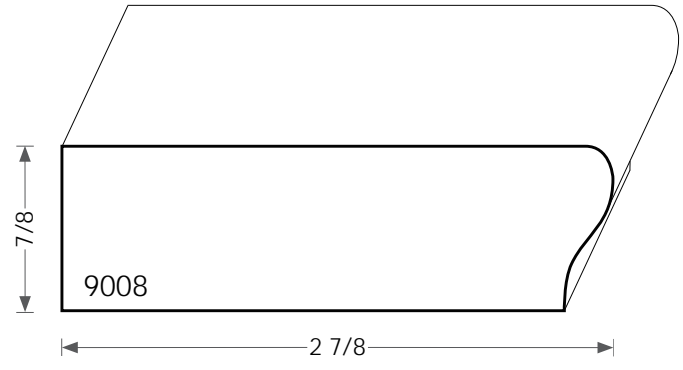
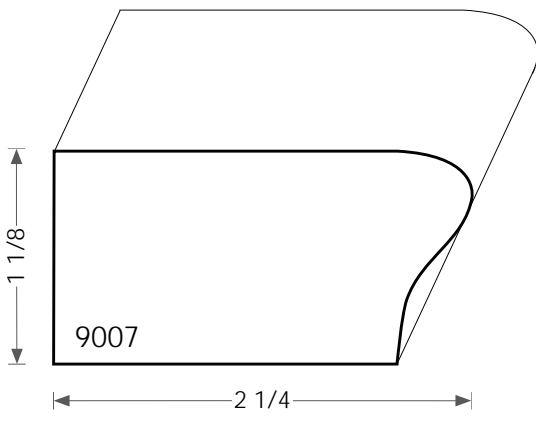


ROUND

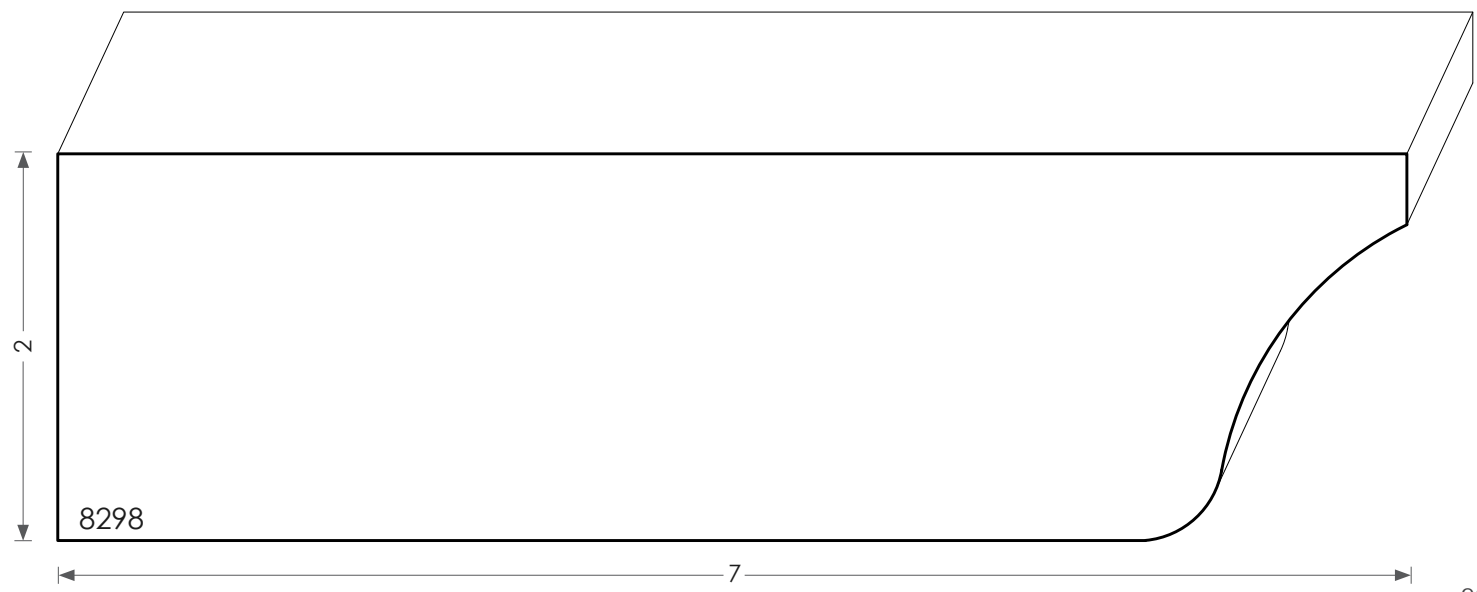
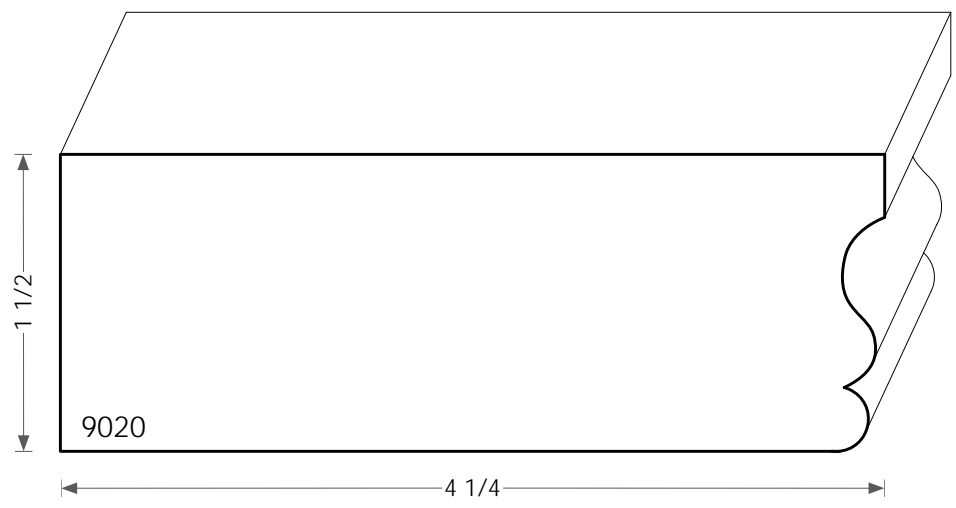
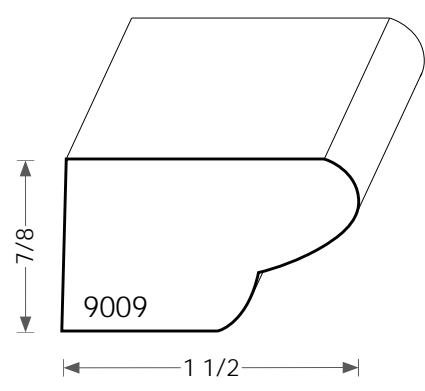
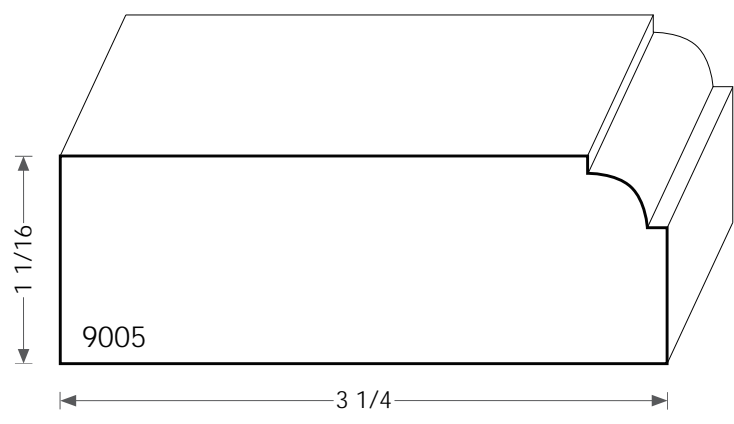
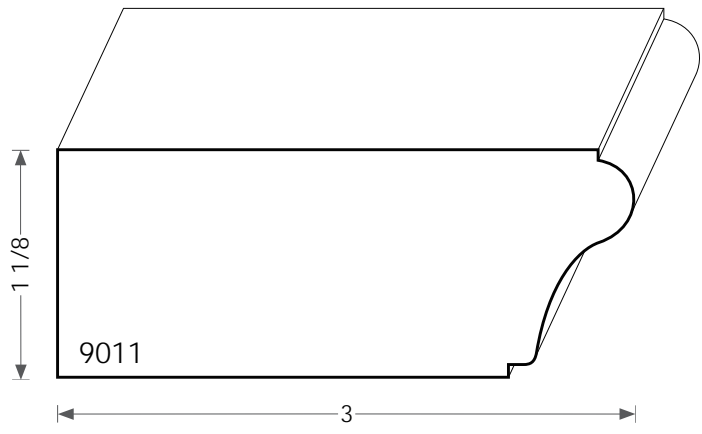
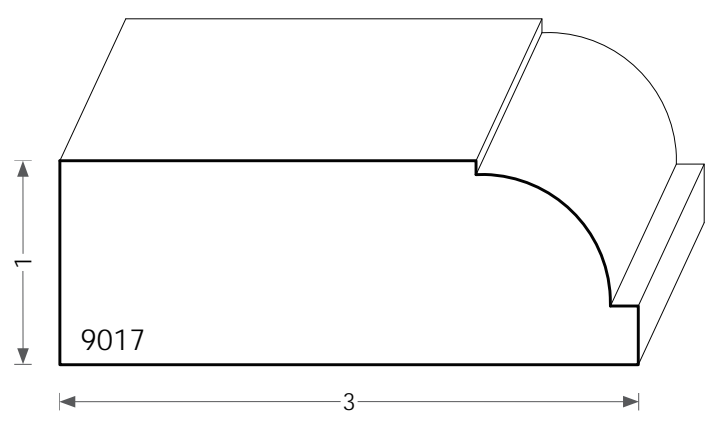




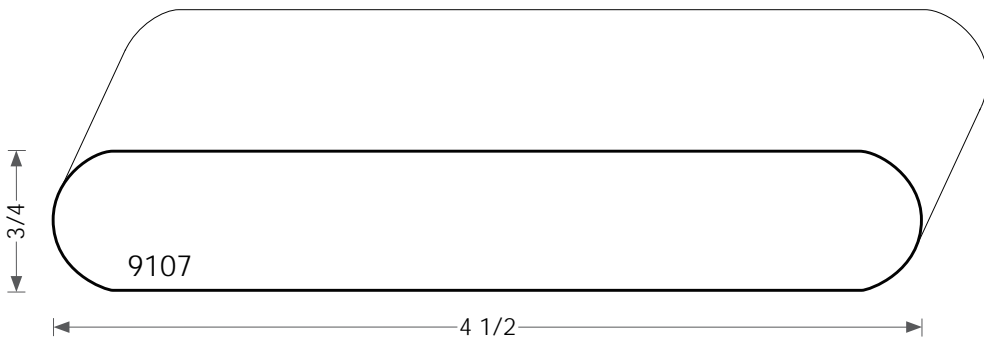
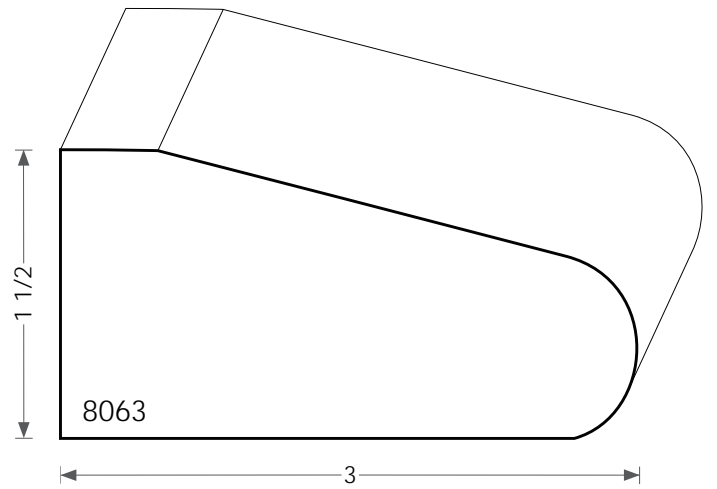
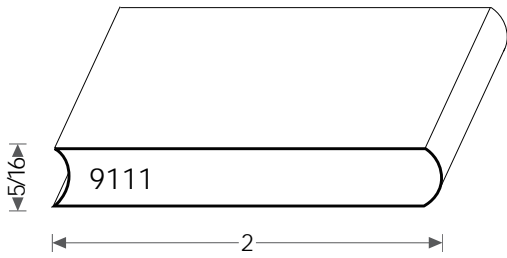
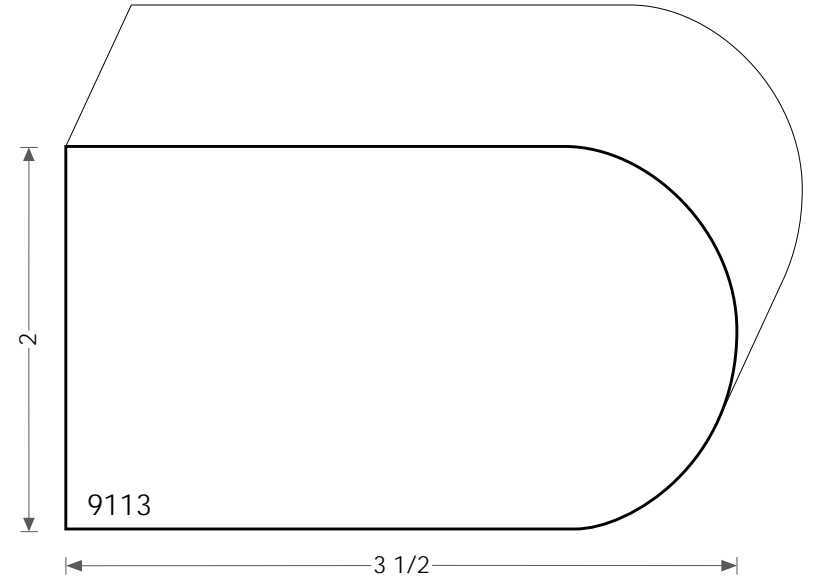
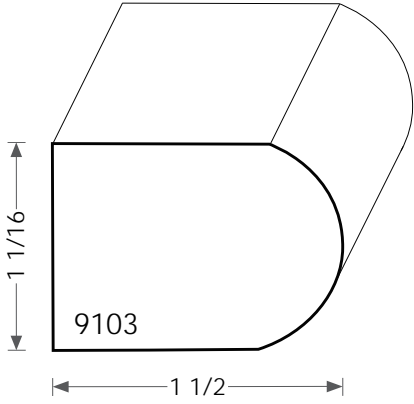
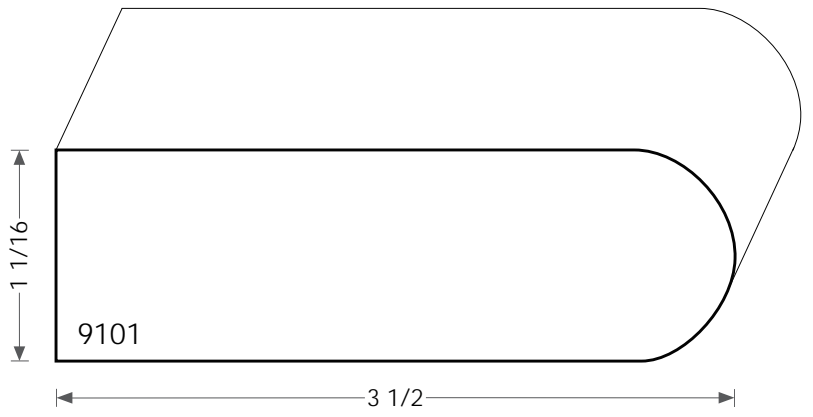
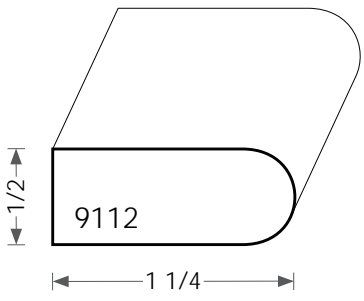


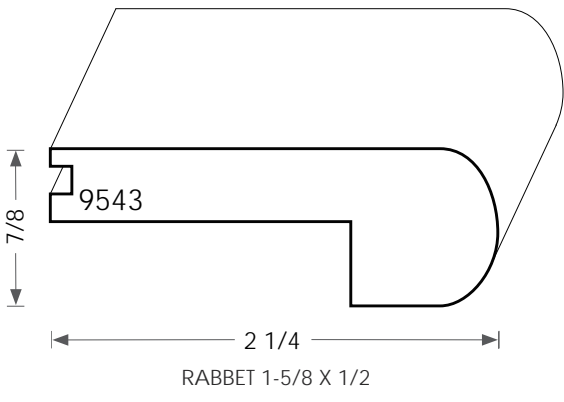
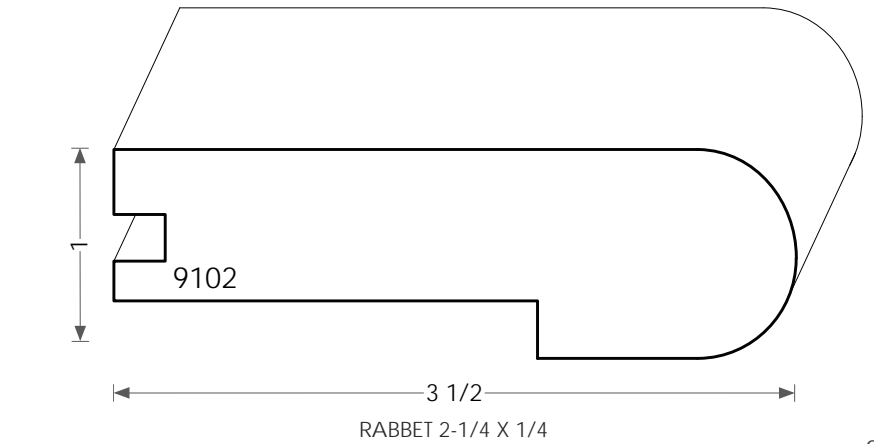
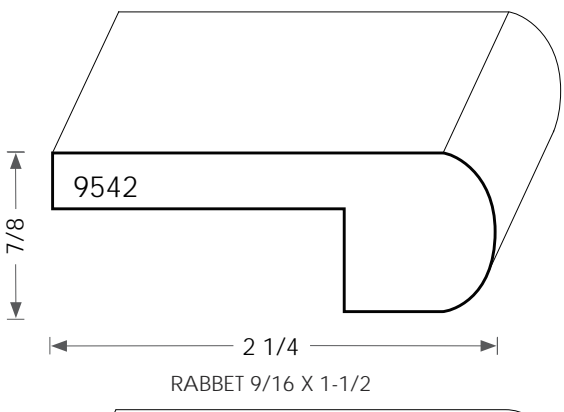
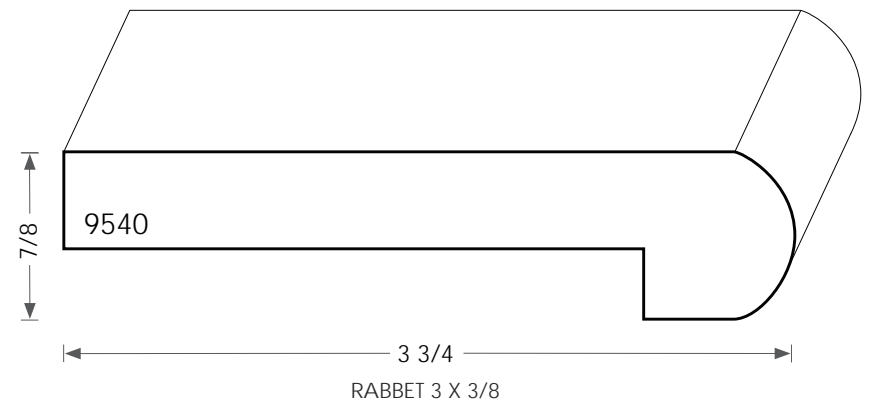
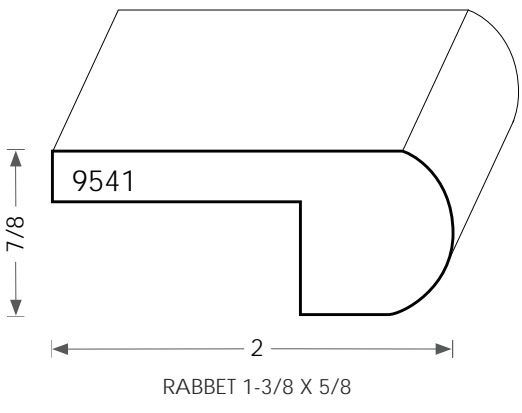
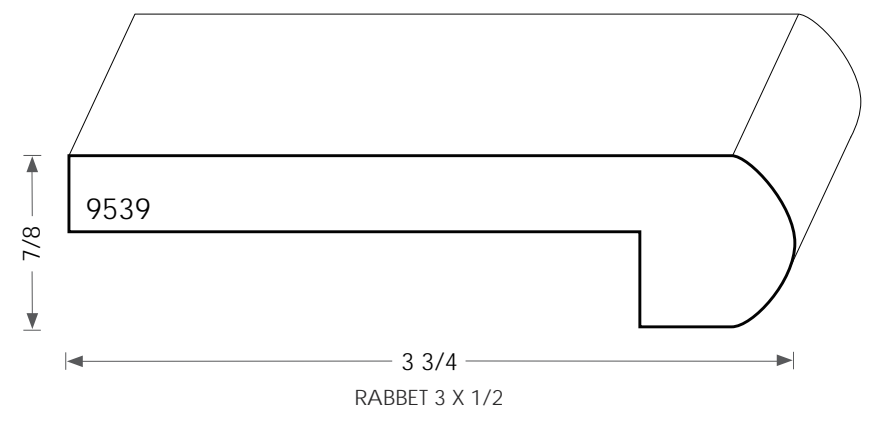
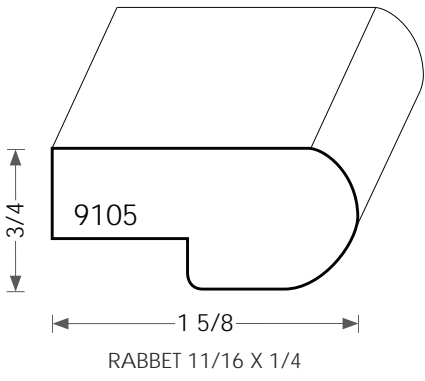
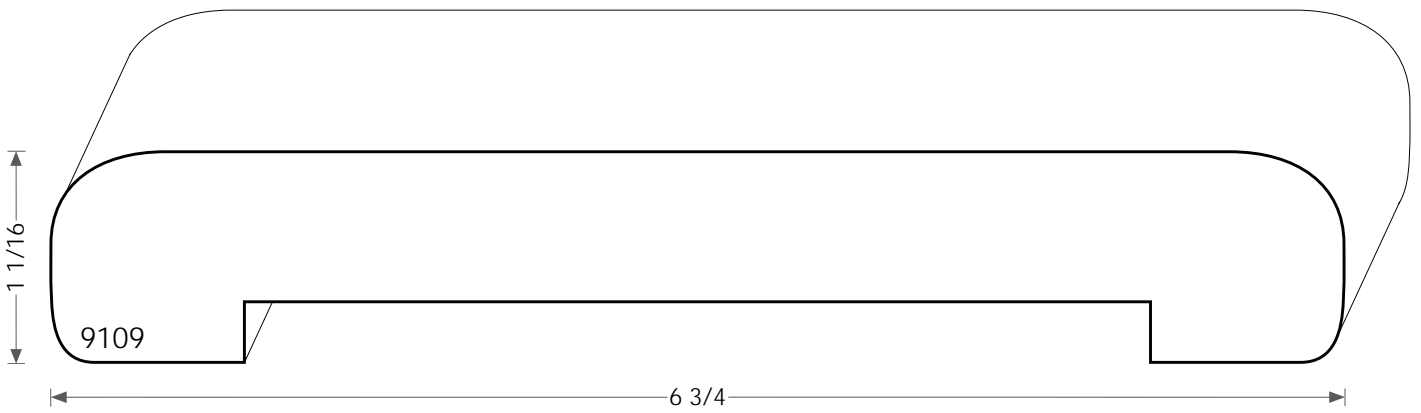


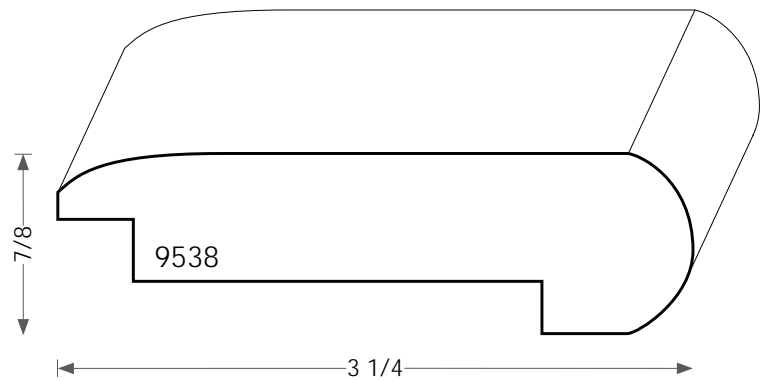
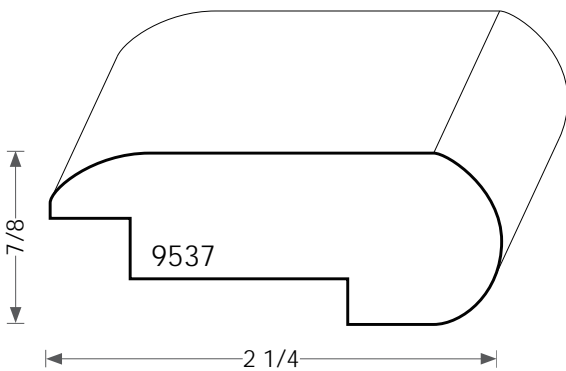
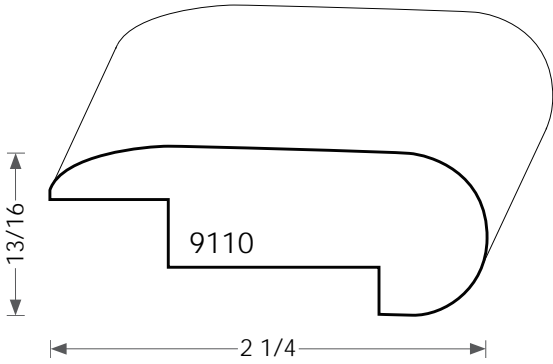
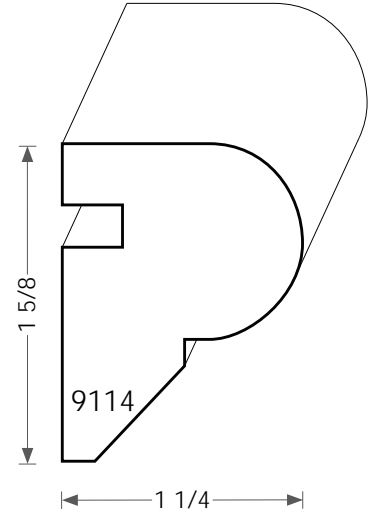
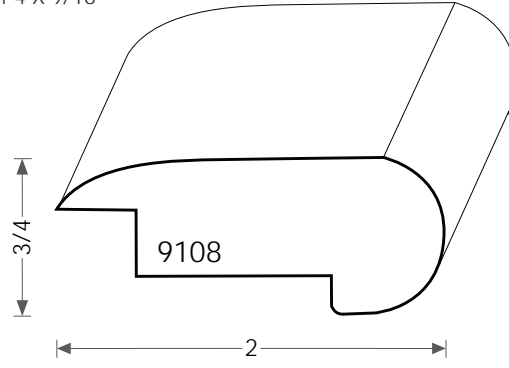
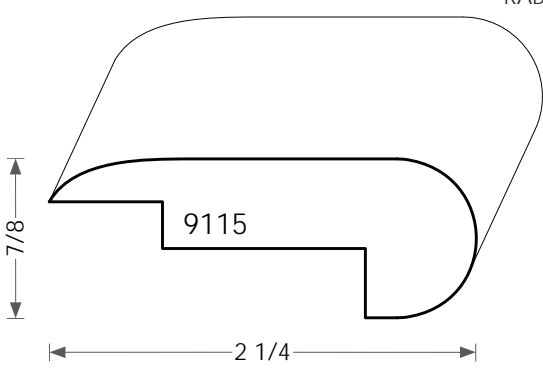
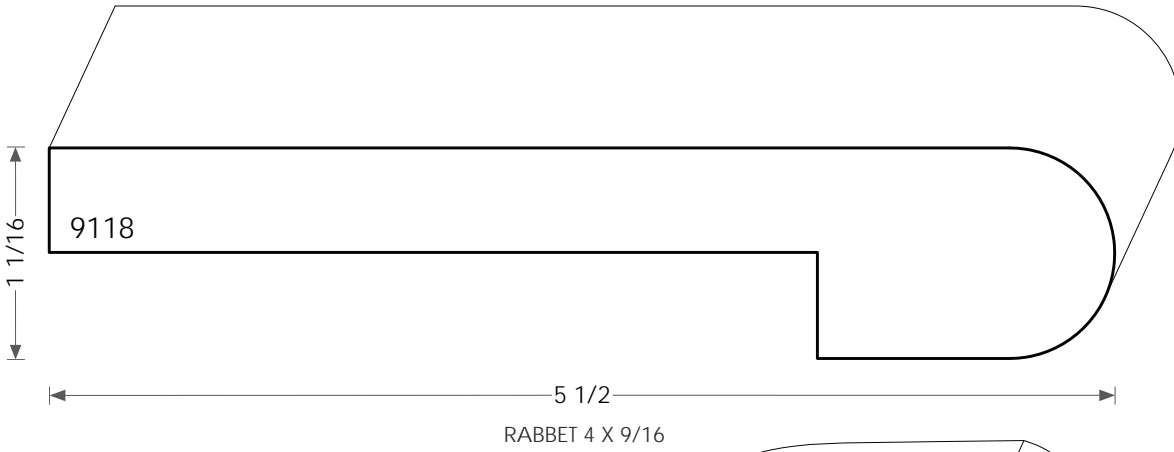
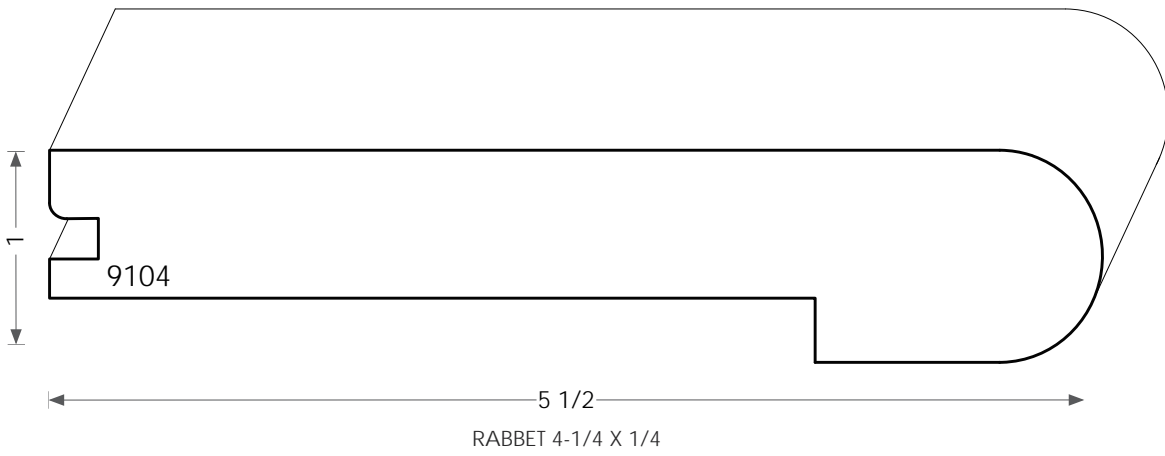
WINDOW SILL

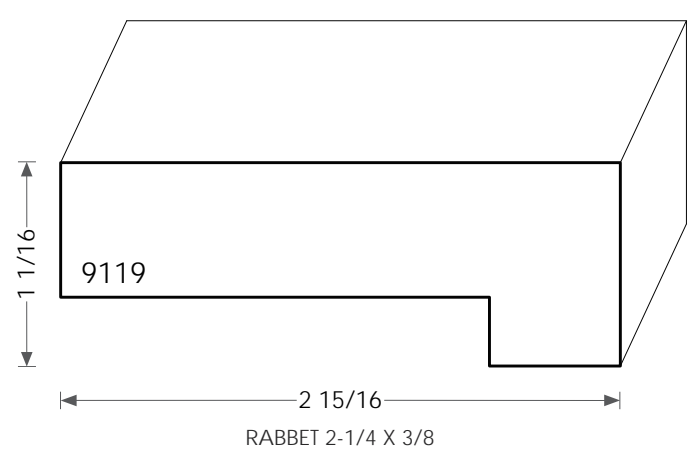
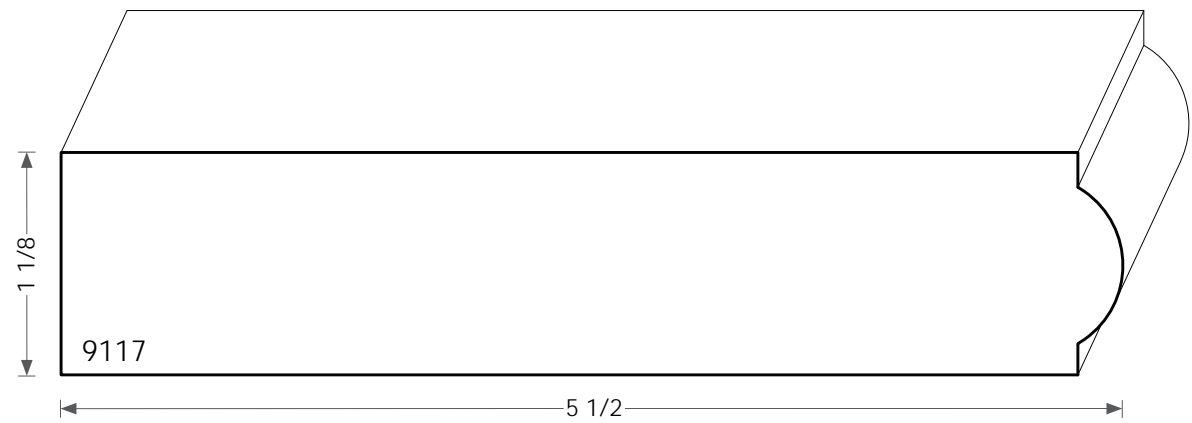
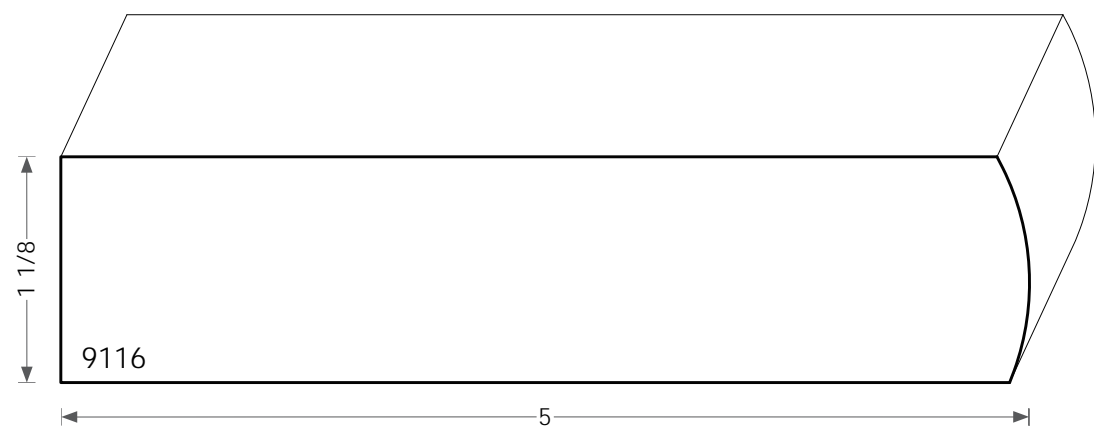


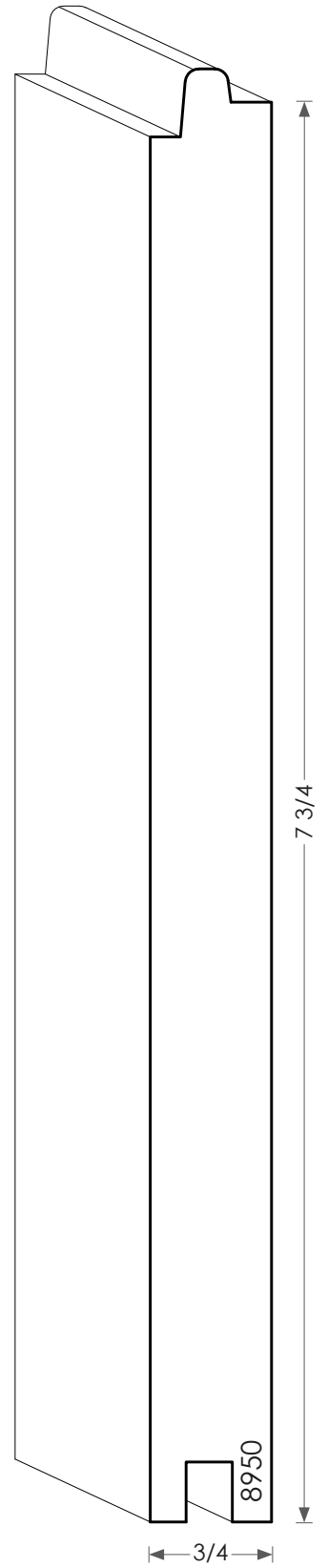
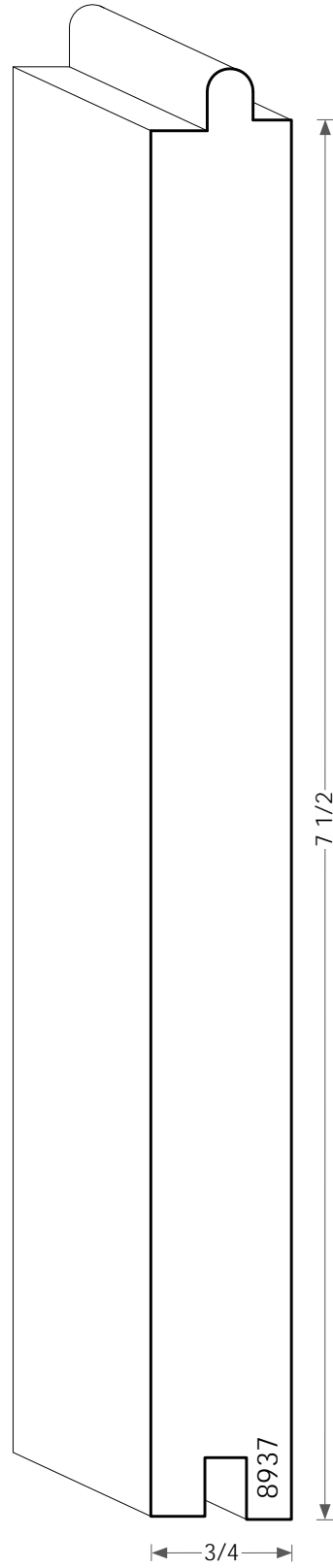
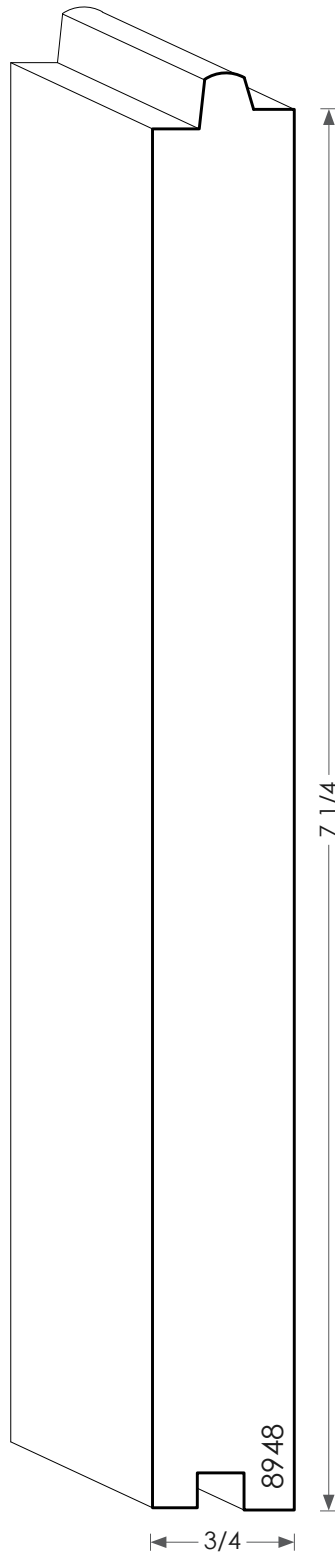
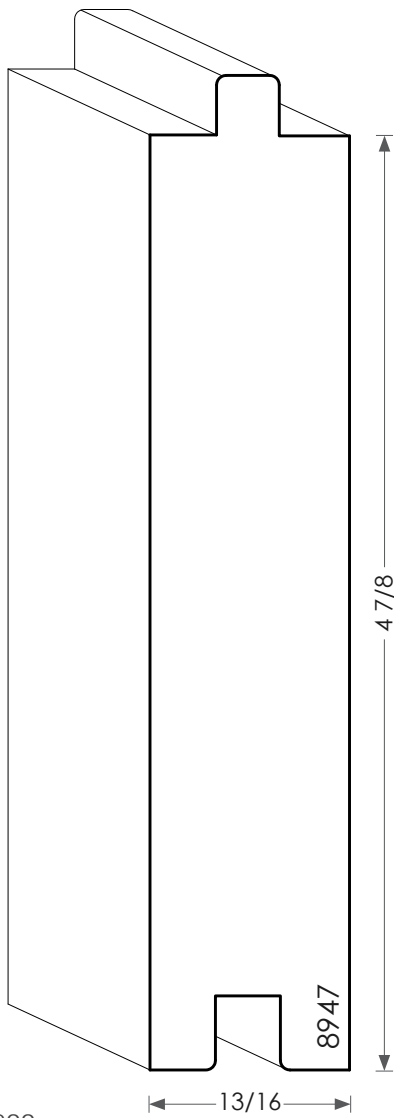
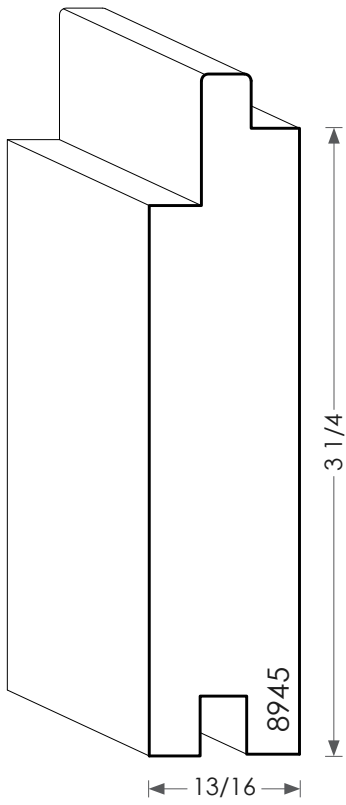


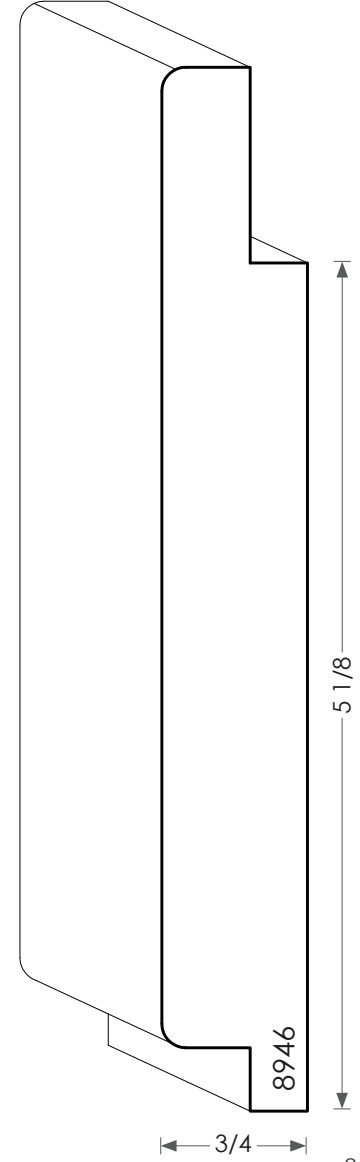
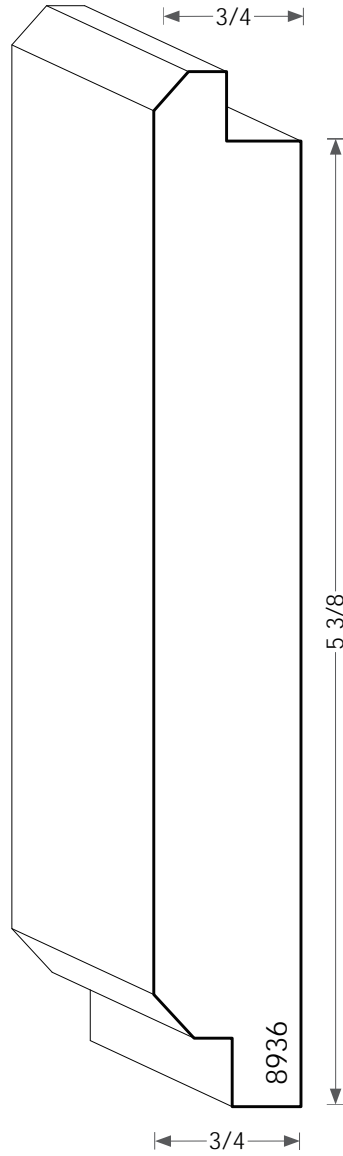
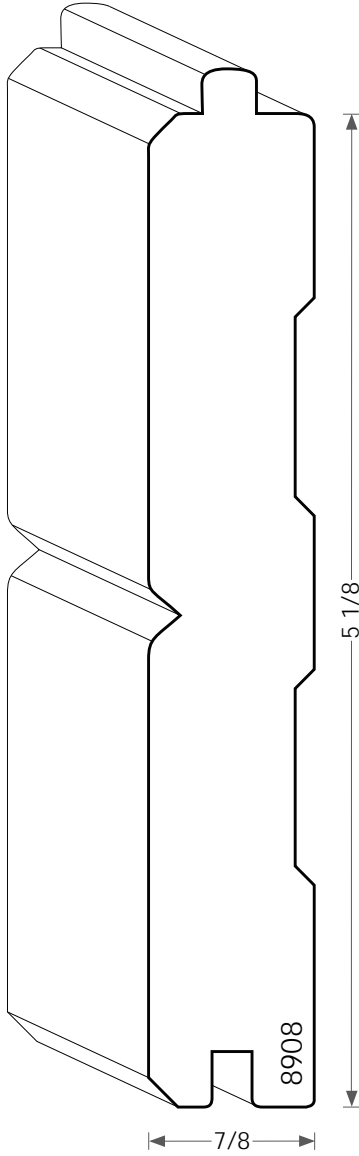
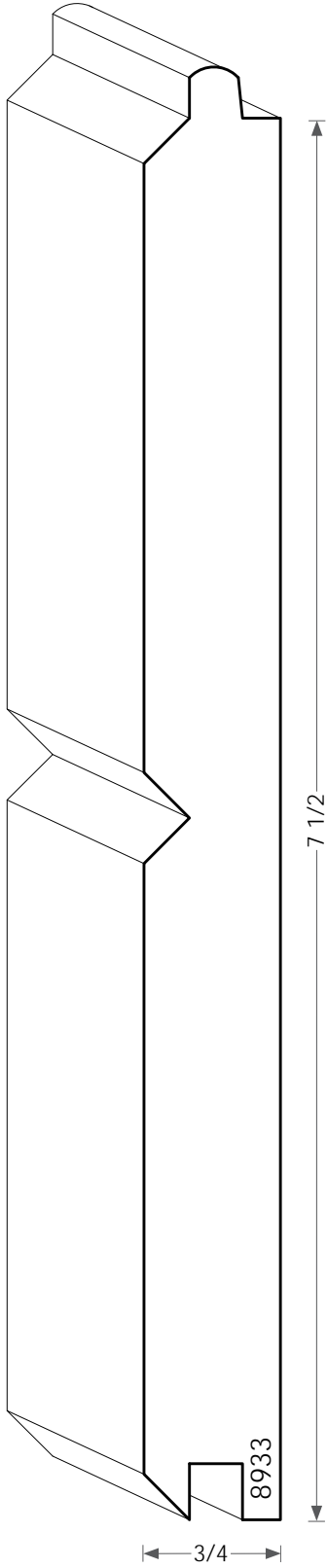




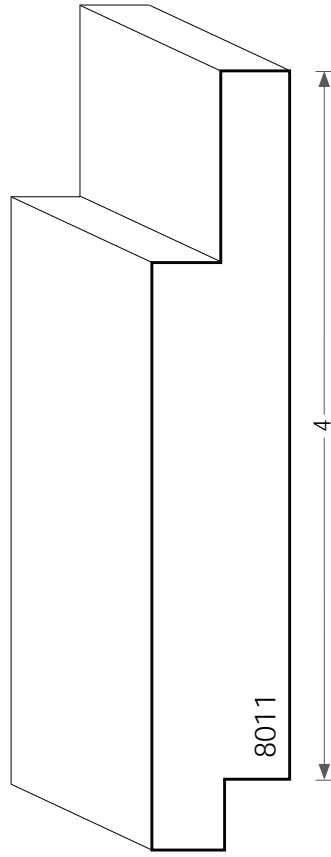




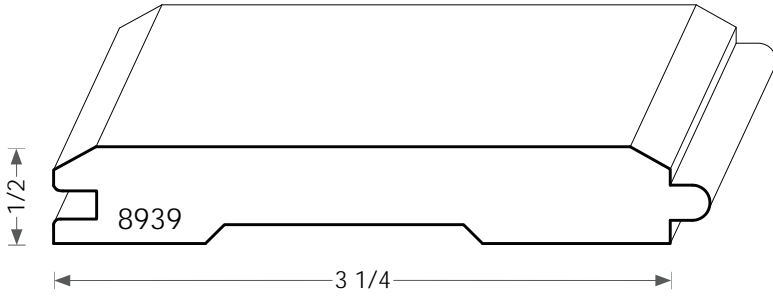
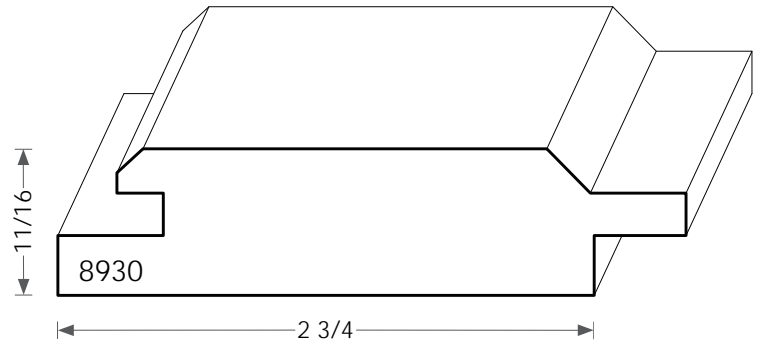
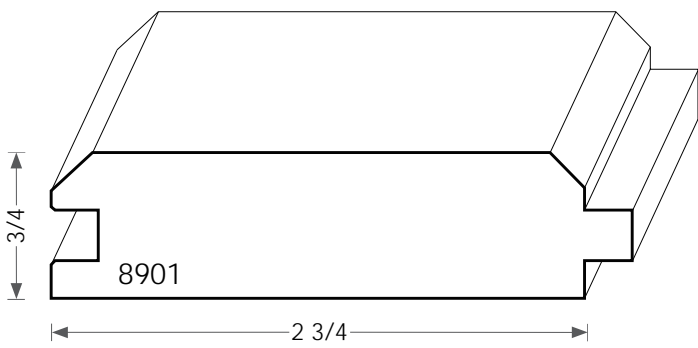




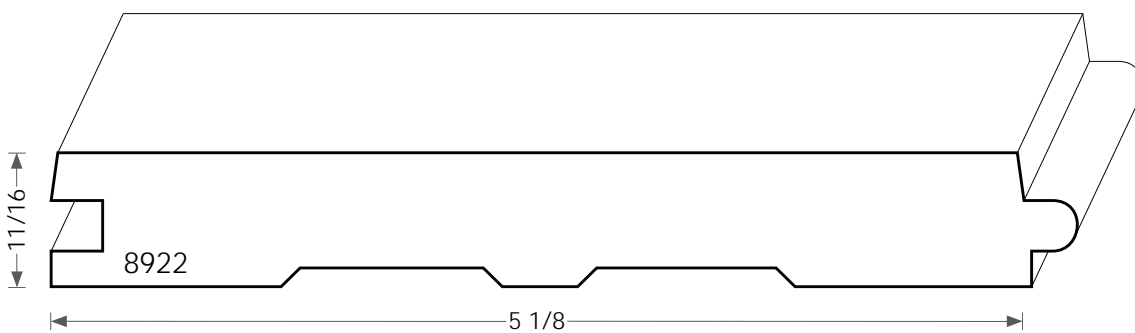
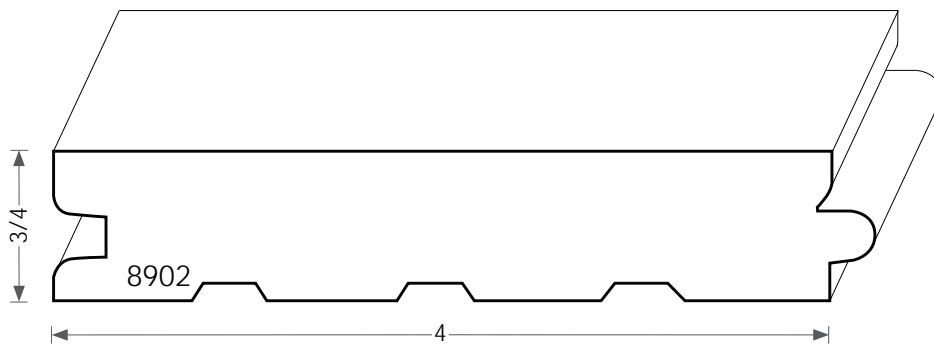
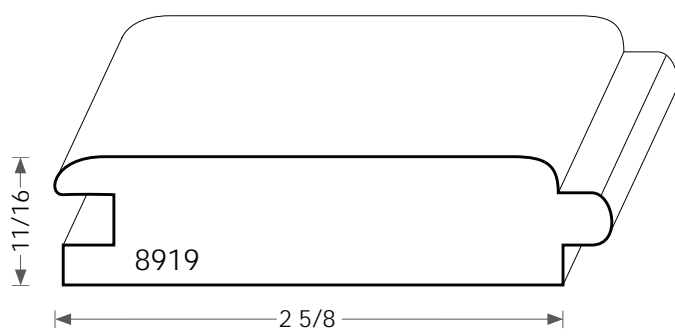
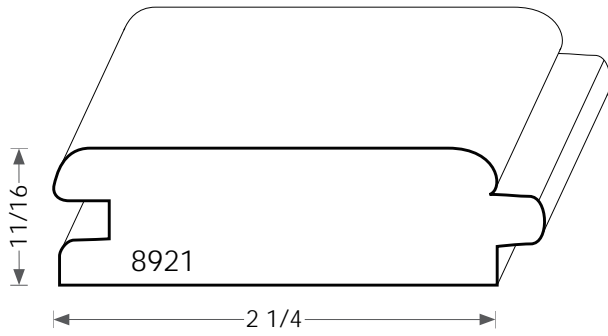
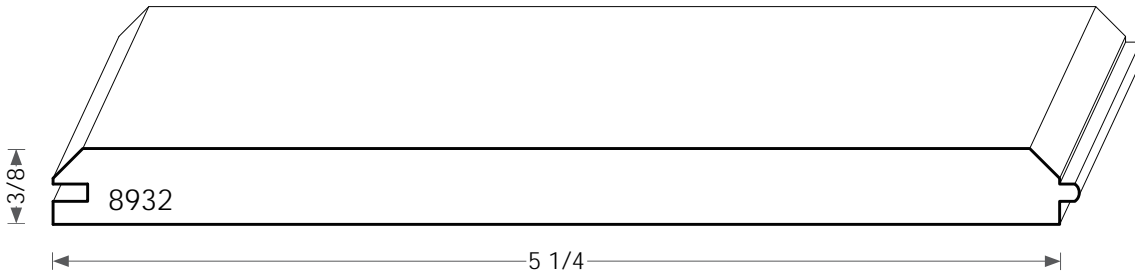
TONGUE AND GROOVE WIDTHS  
MEASURE THE EXPOSED FACE ONLY.



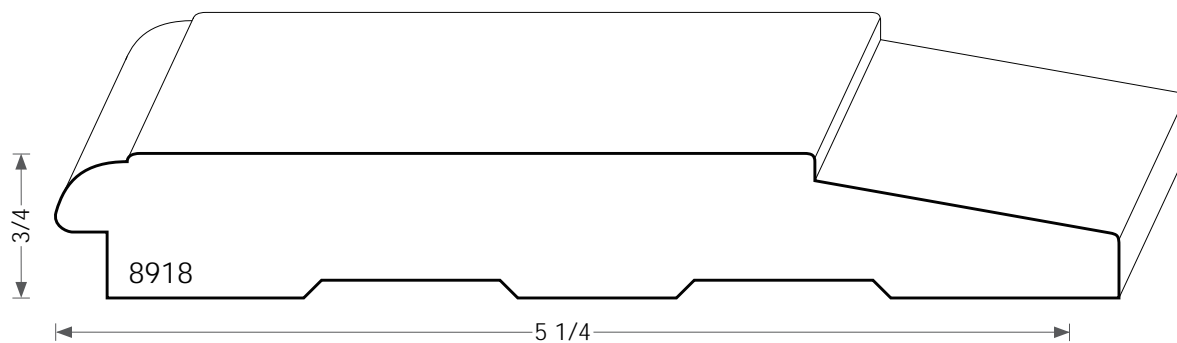
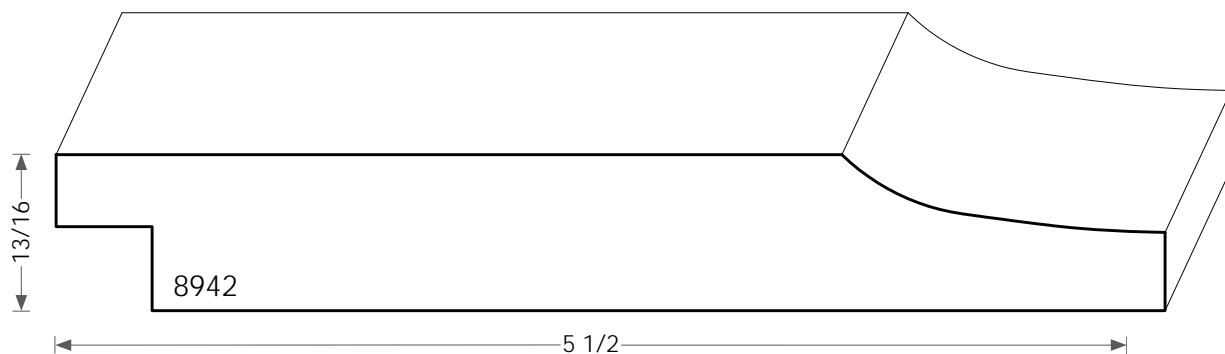
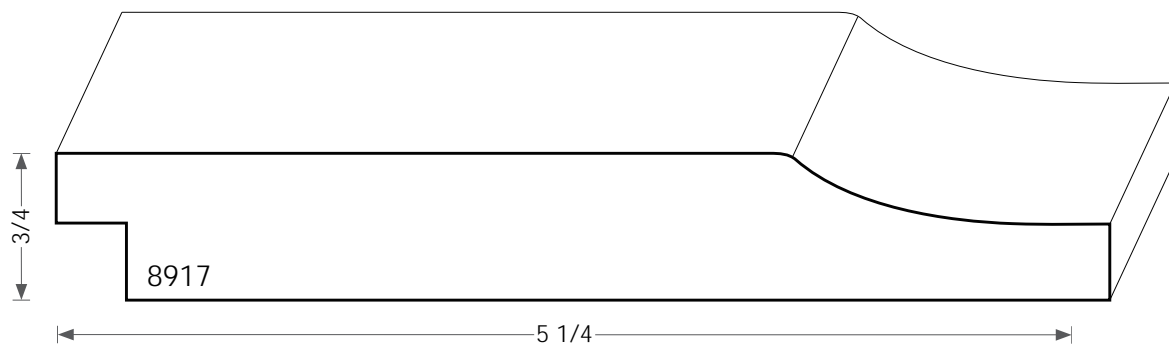
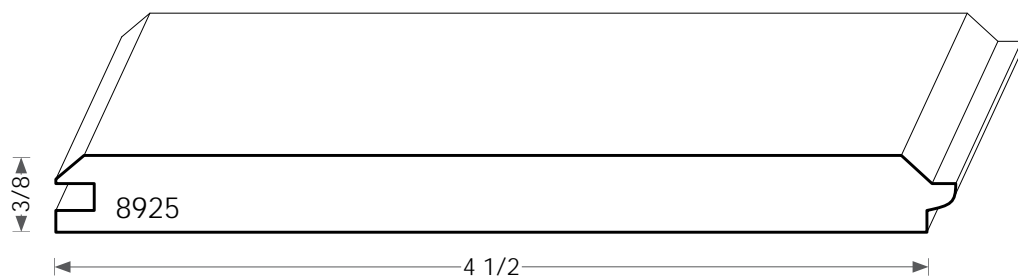
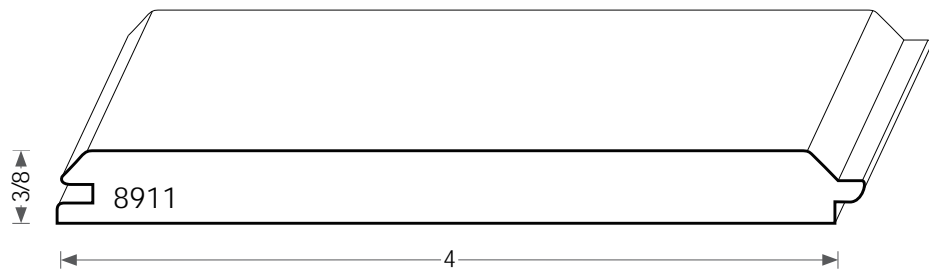
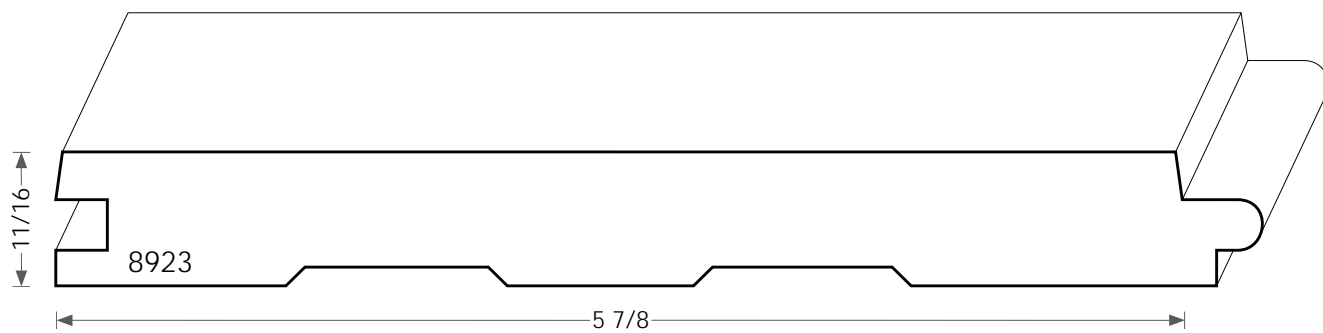
TONGUE AND GROOVE



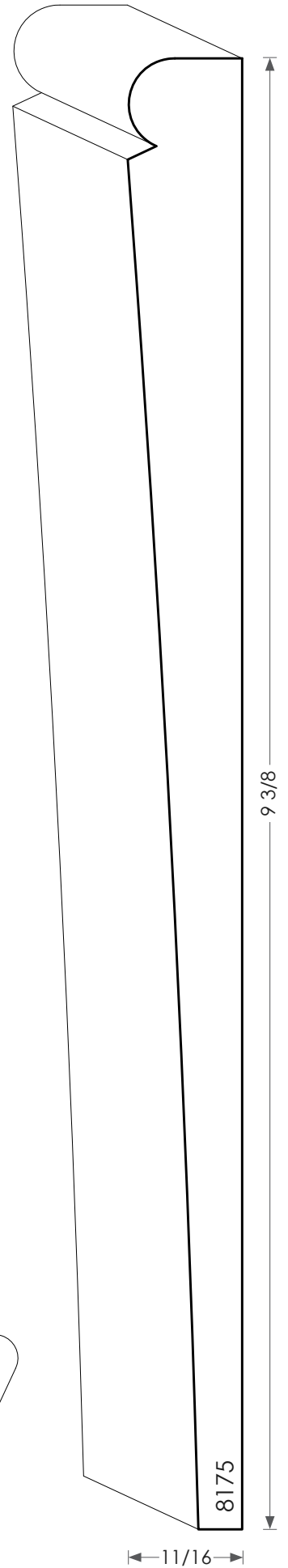
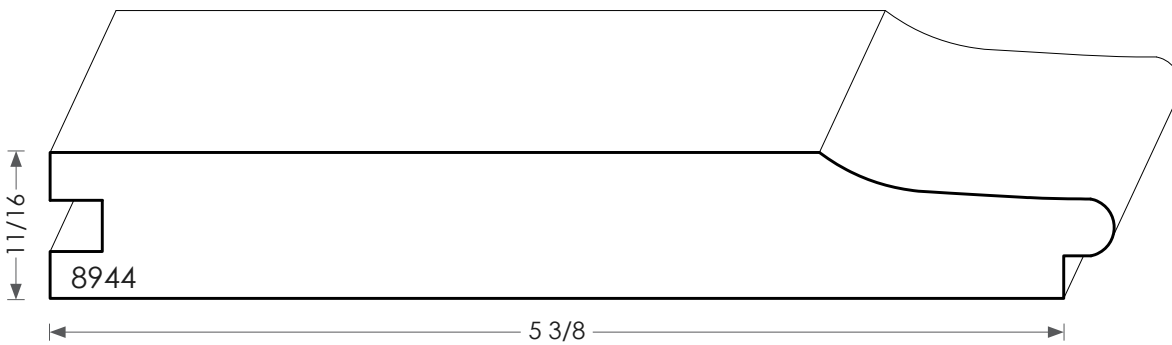
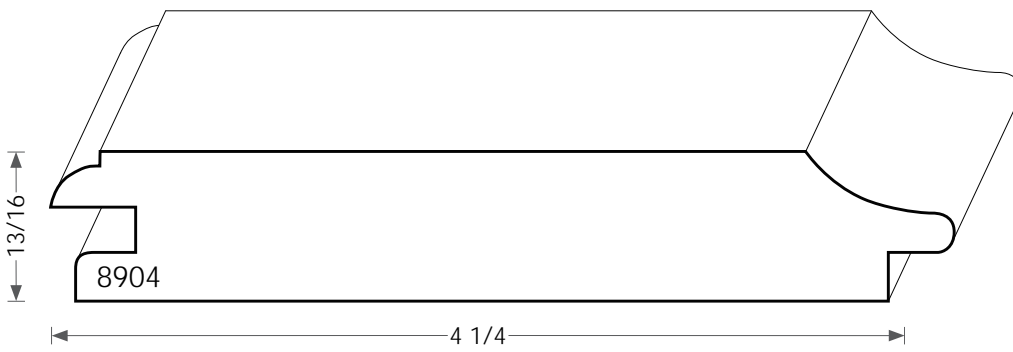
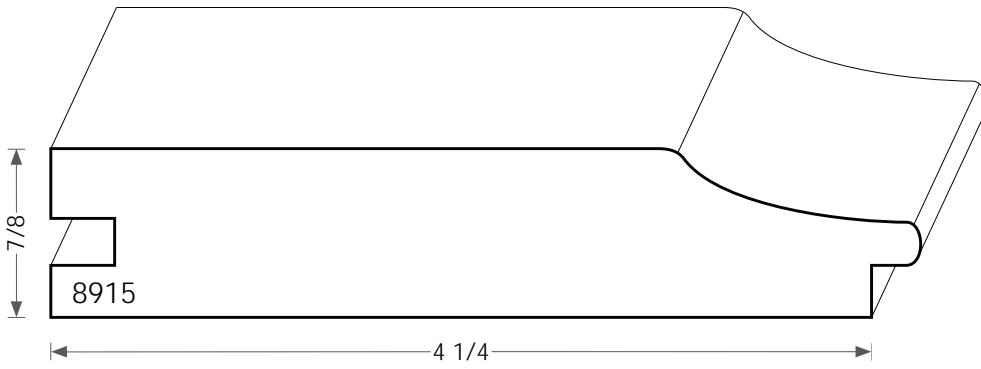
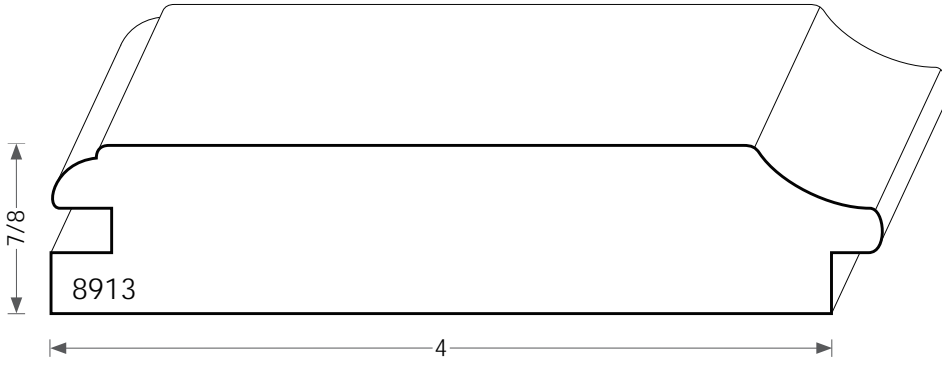
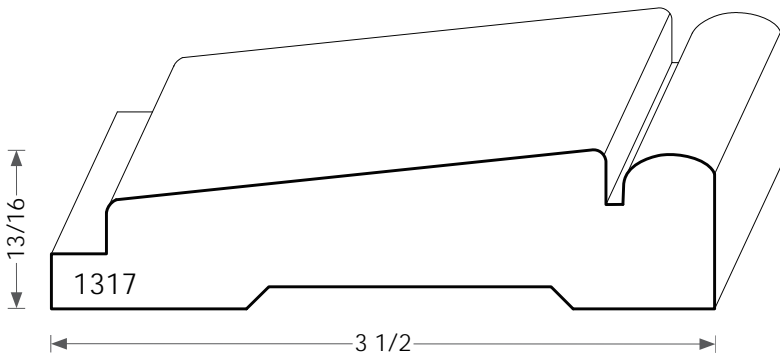
TONGUE AND GROOVE WIDTHS  
MEASURE THE EXPOSED FACE ONLY.



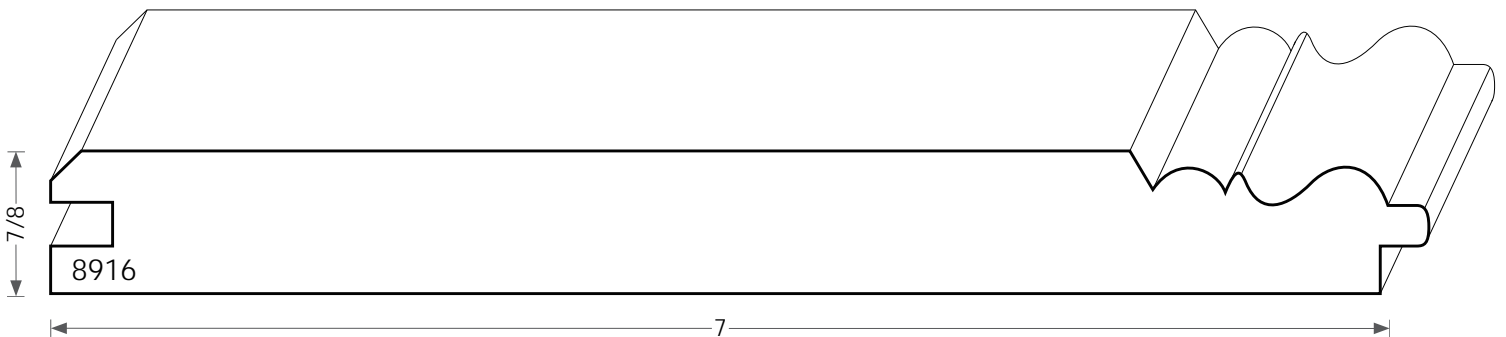
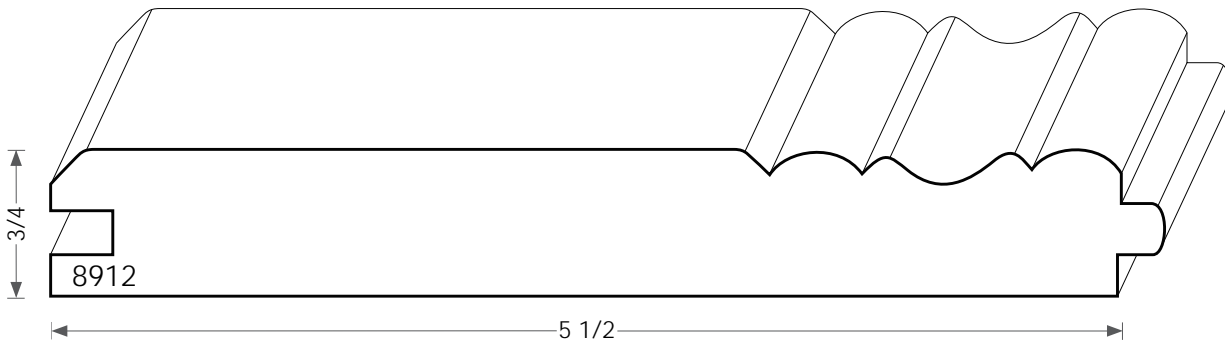
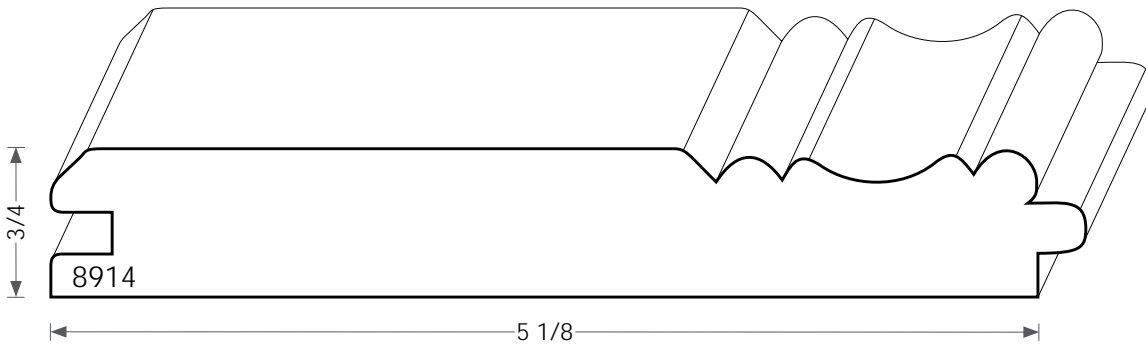
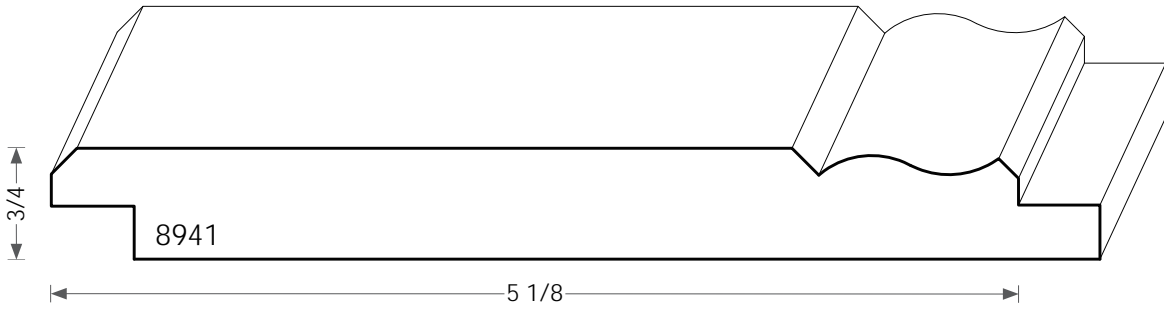
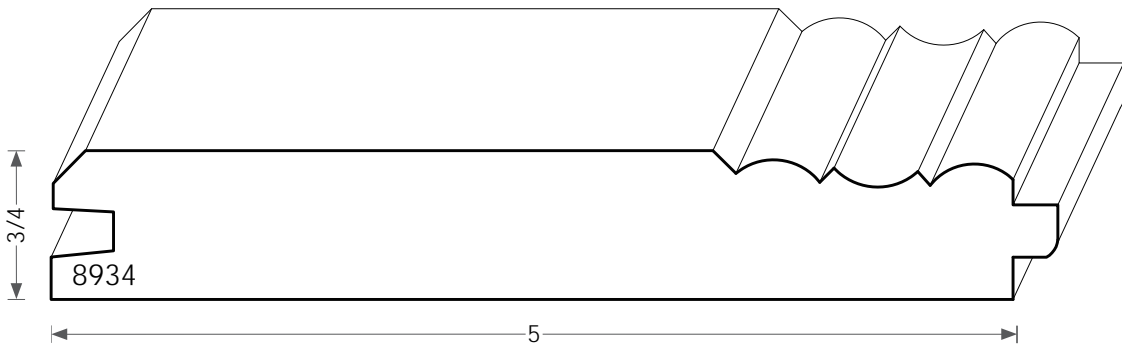
TONGUE AND GROOVE



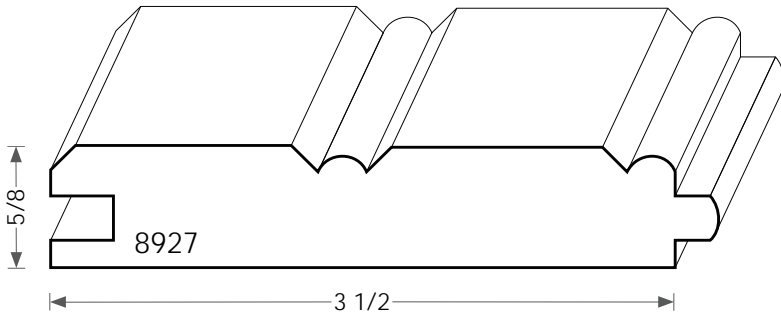
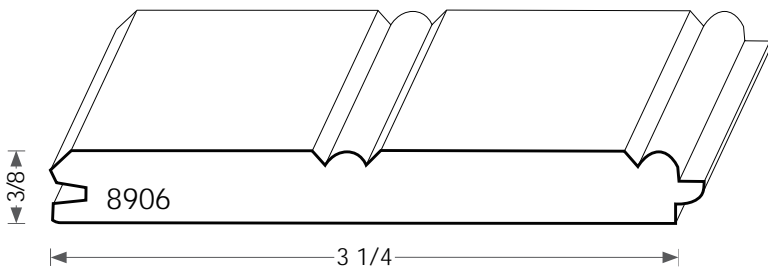




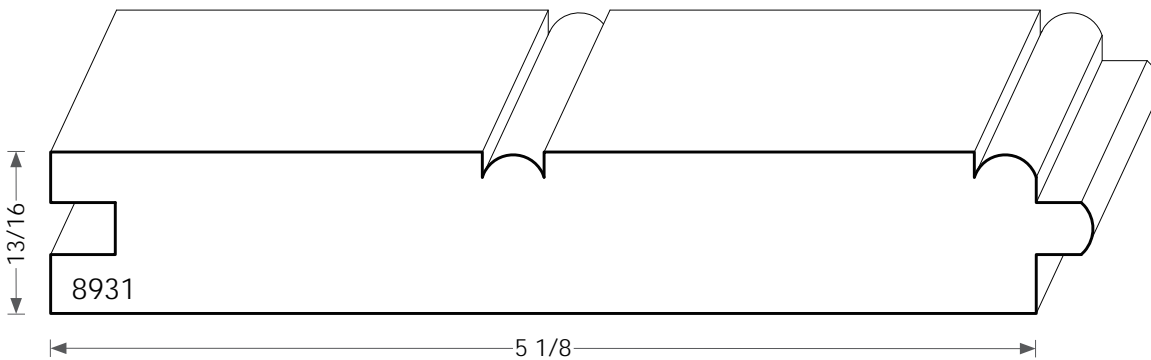
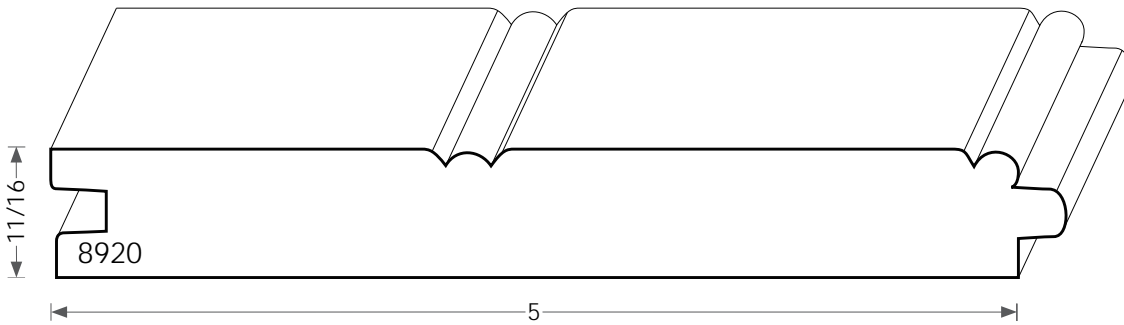
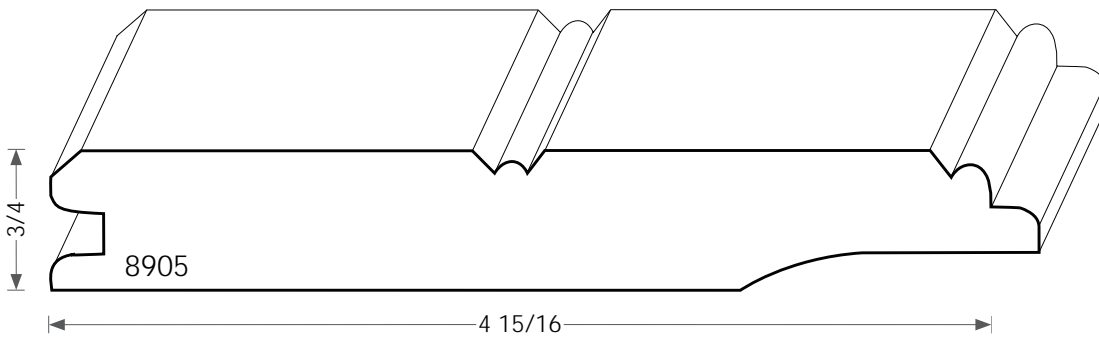
TONGUE AND GROOVE



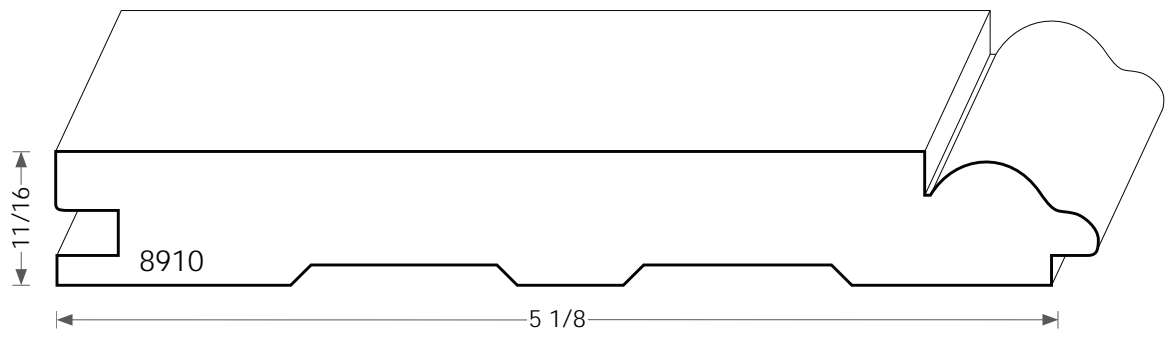
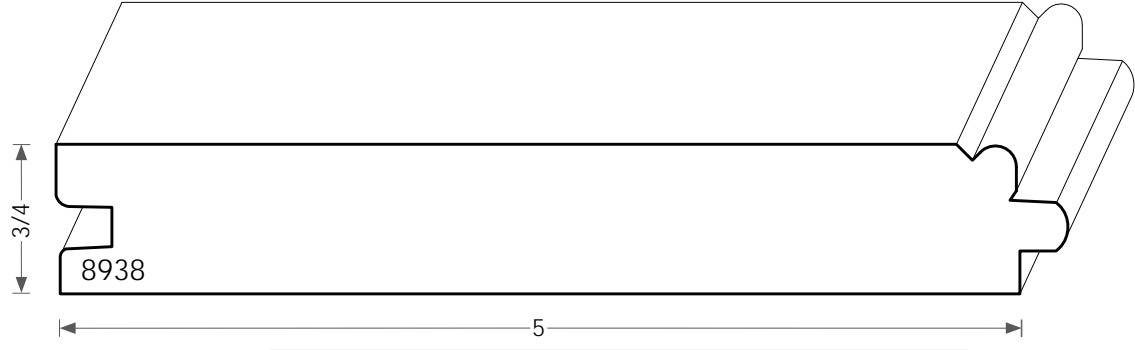
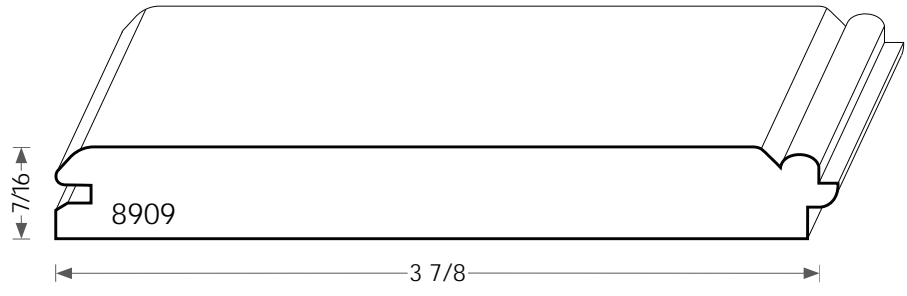
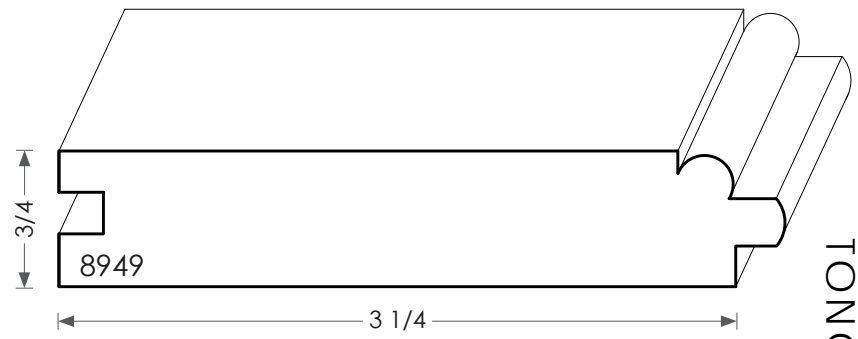
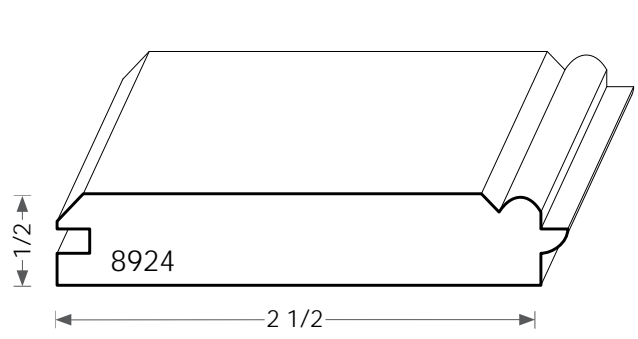
TONGUE AND GROOVE WIDTHS  
MEASURE THE EXPOSED FACE ONLY.

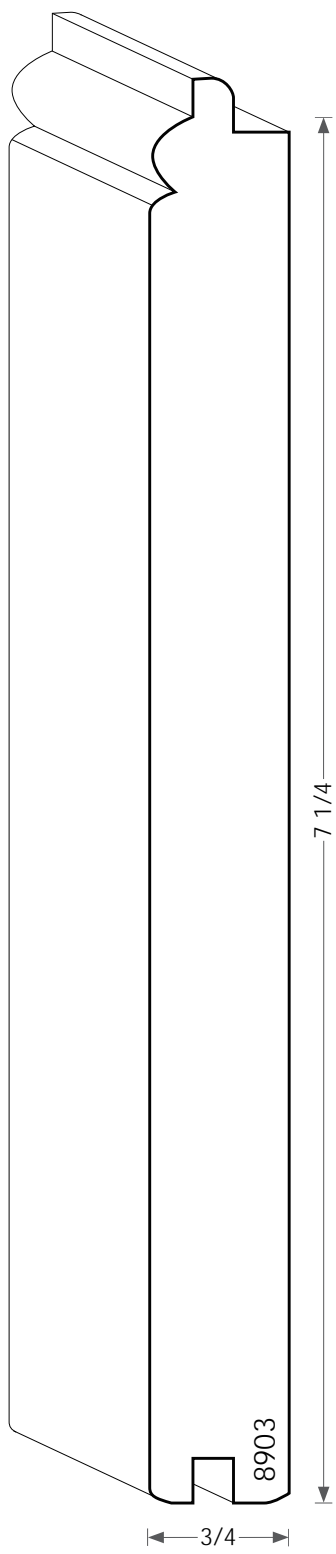
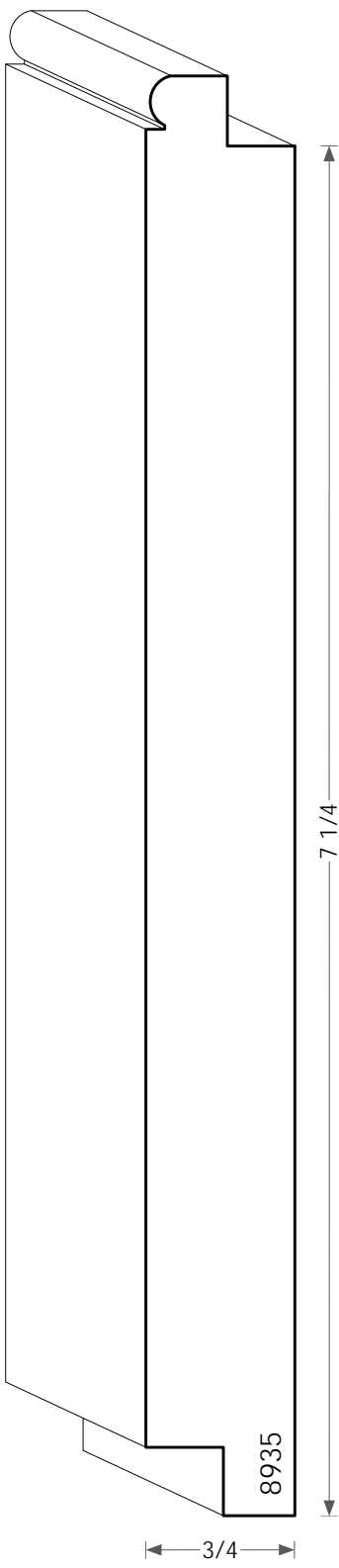


TONGUE AND GROOVE WIDTHS  
MEASURE THE EXPOSED FACE ONLY.



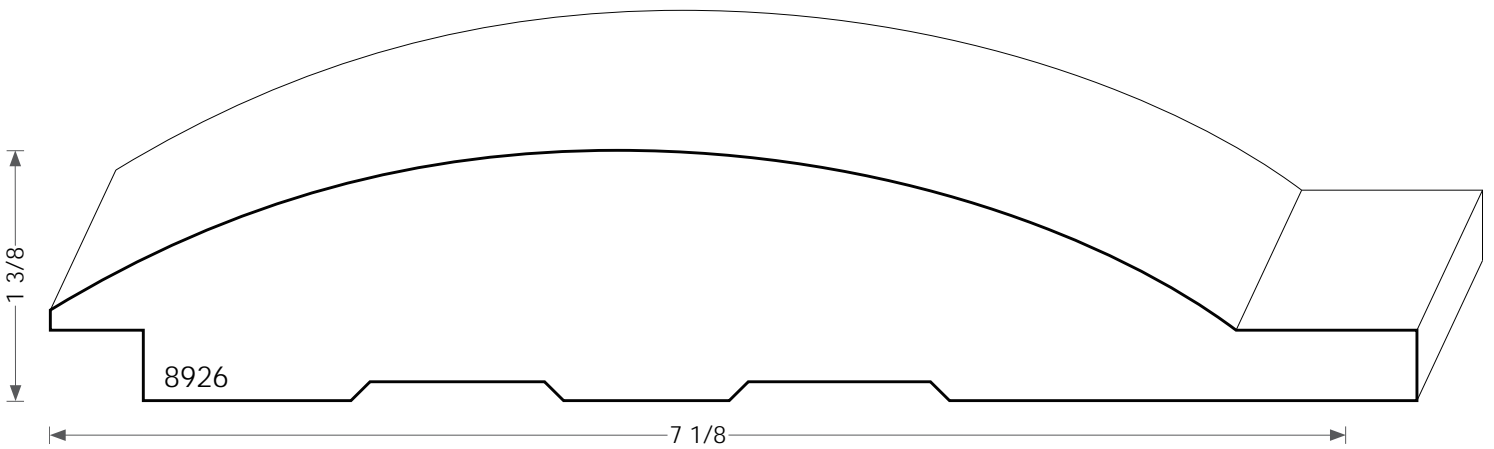
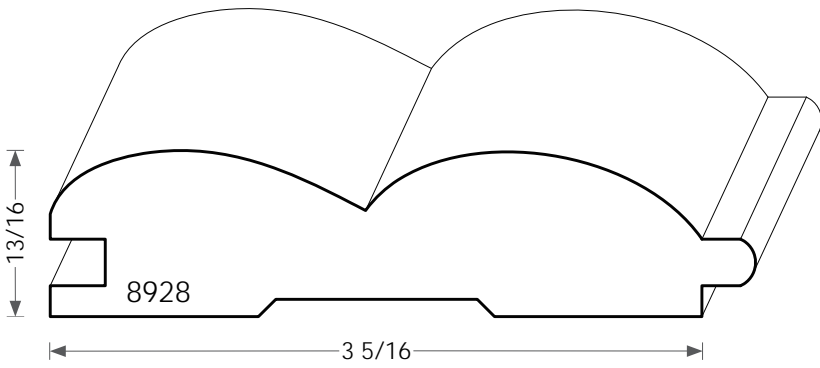
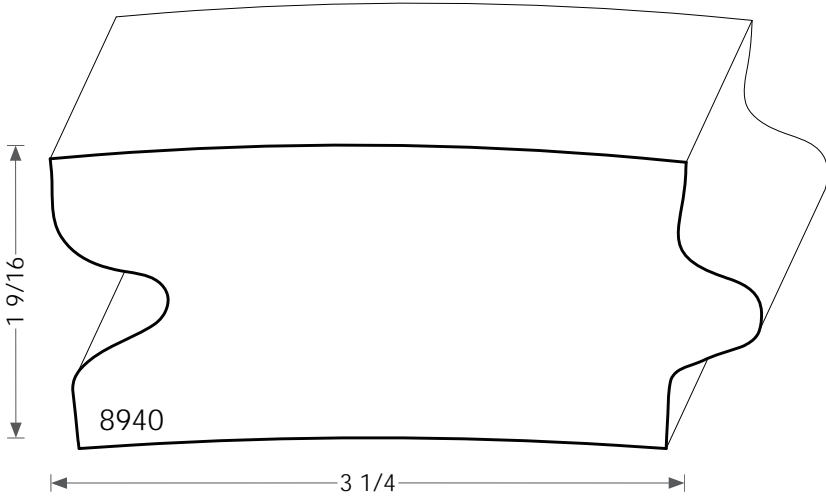
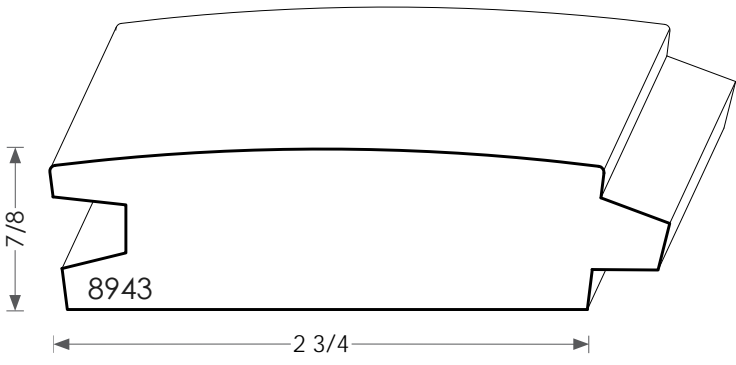
TONGUE AND GROOVE

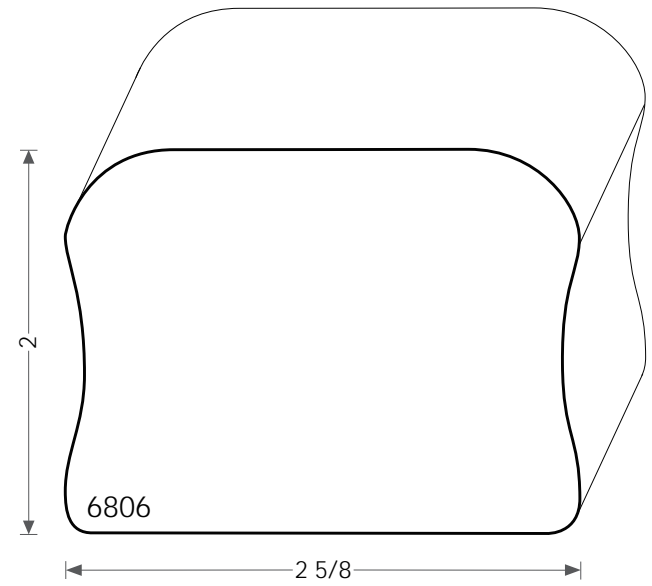
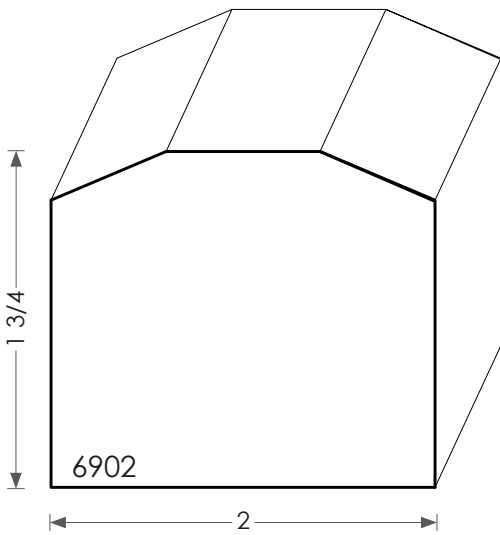
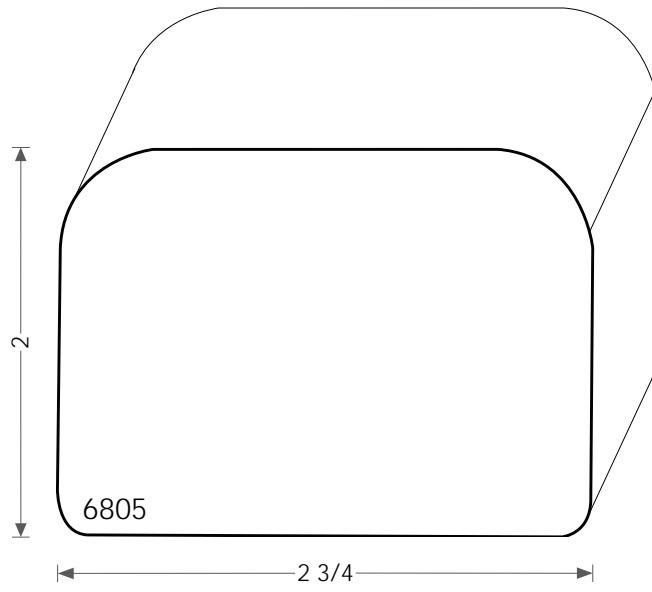
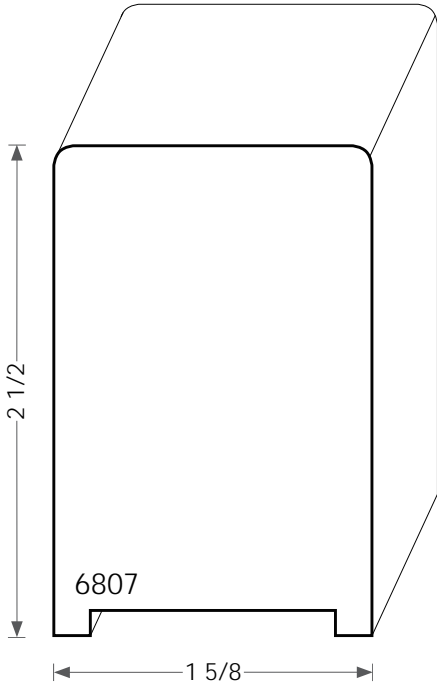
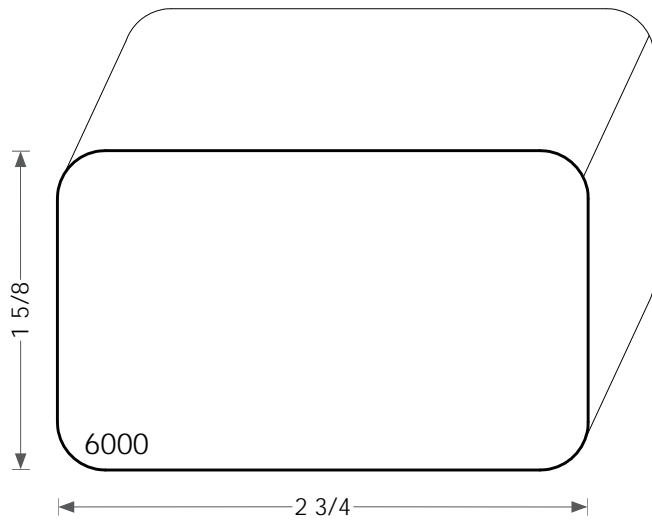
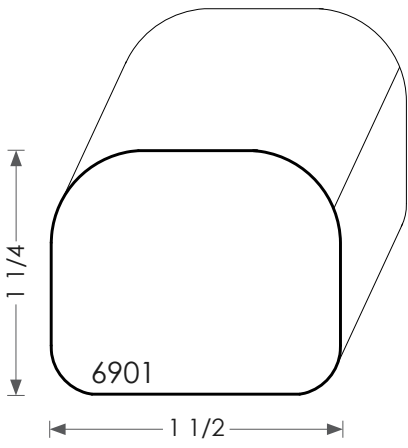


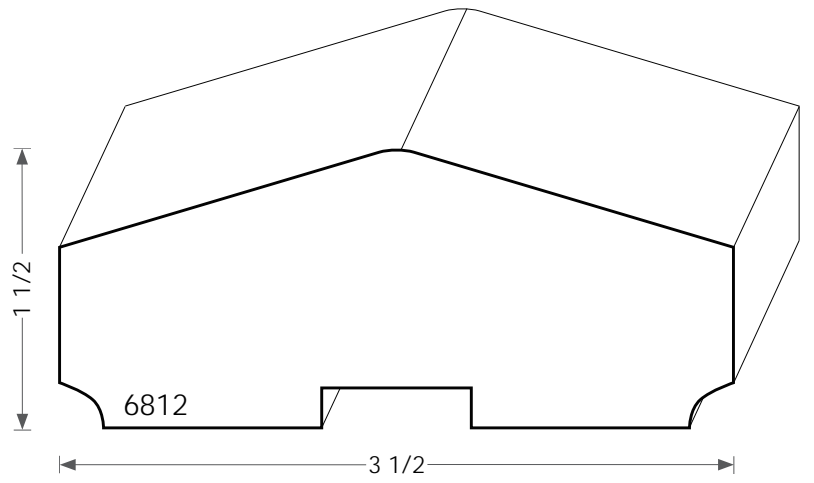
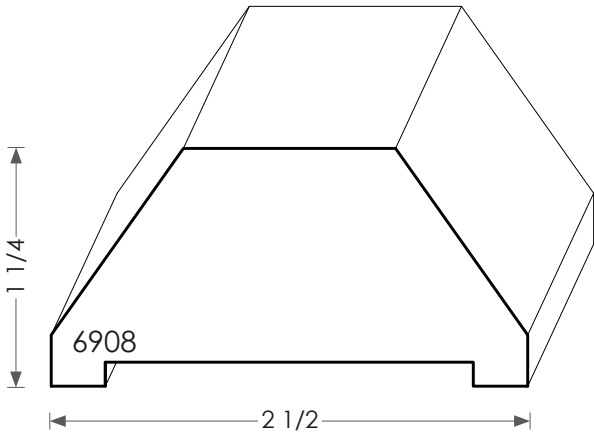


TONGUE AND GROOVE WIDTHS  
MEASURE THE EXPOSED FACE ONLY.

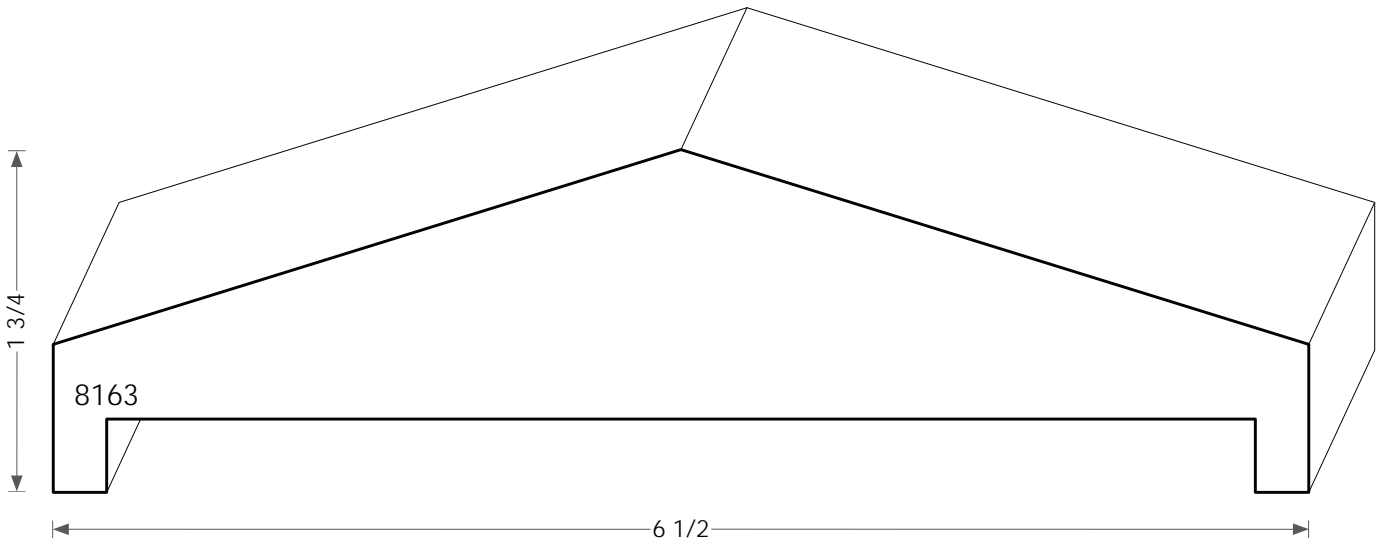
TONGUE AND GROOVE



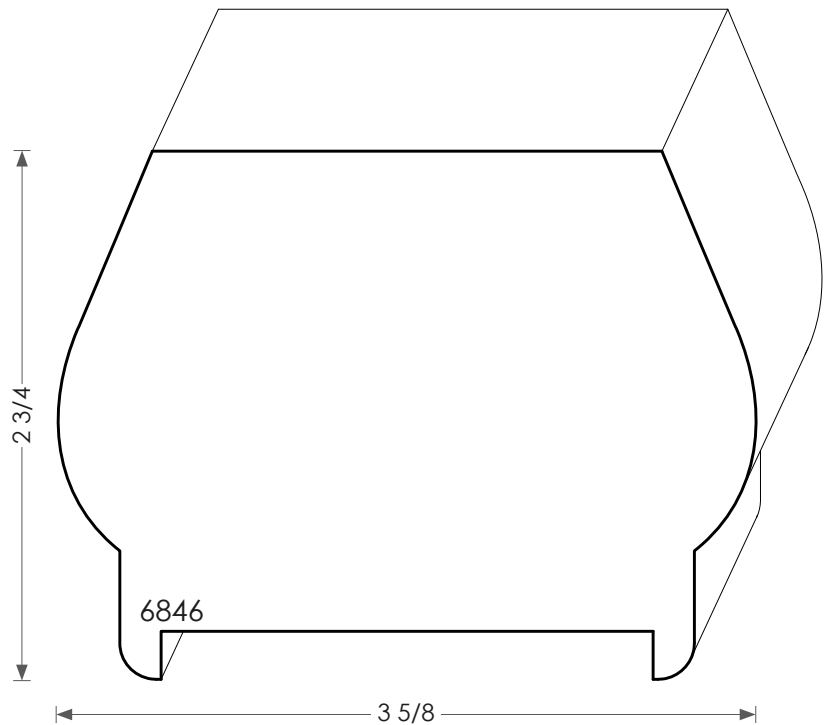
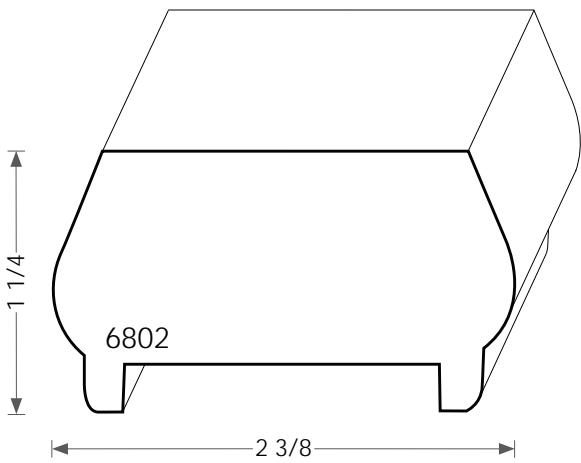




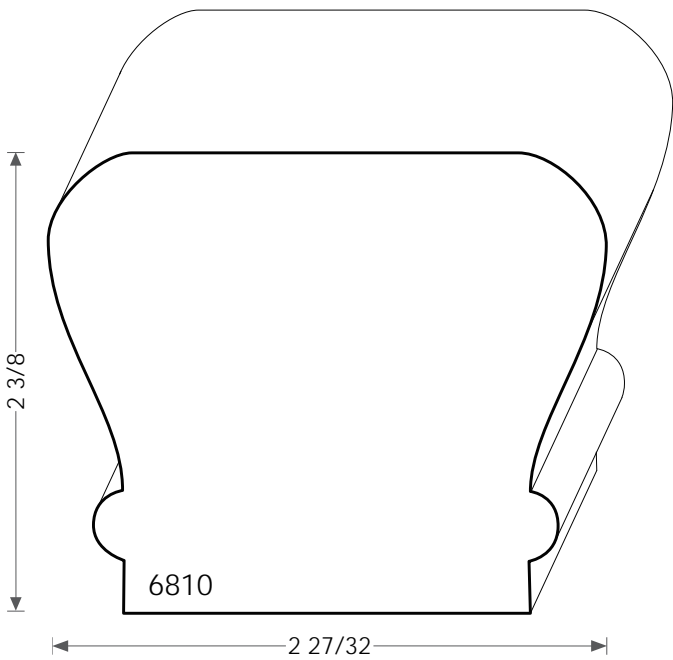
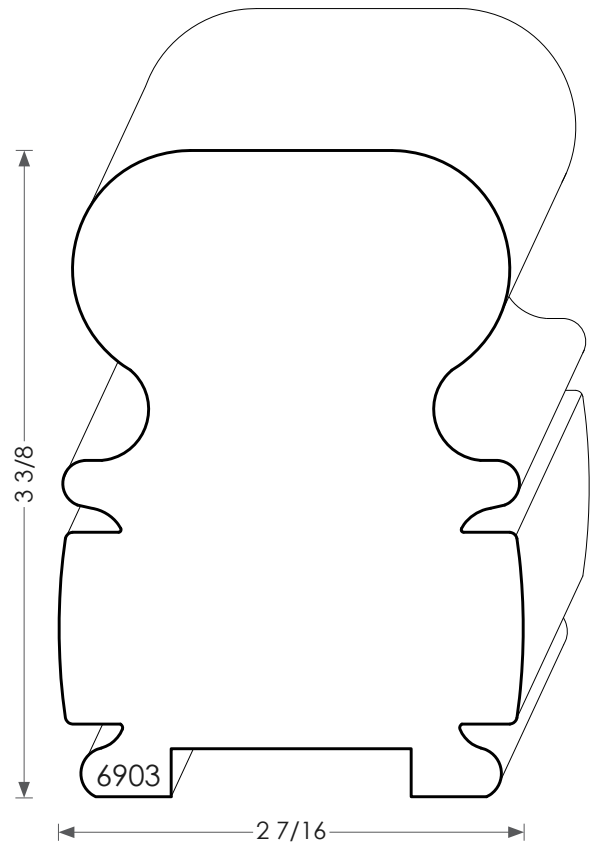
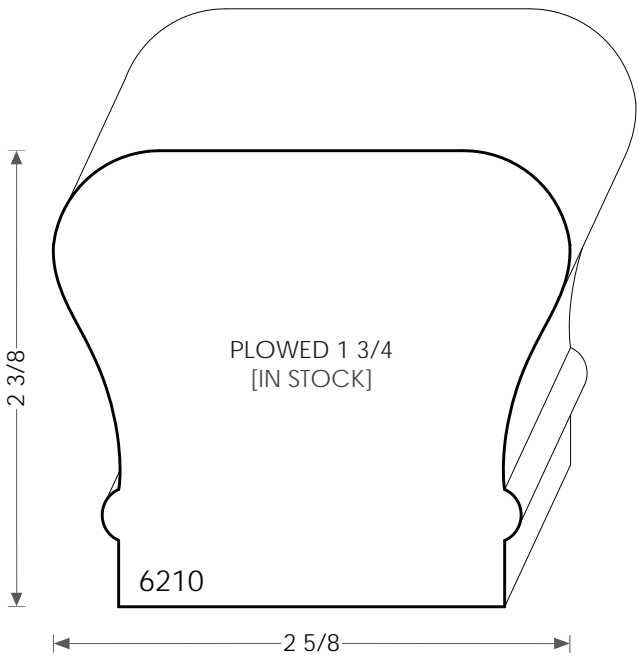
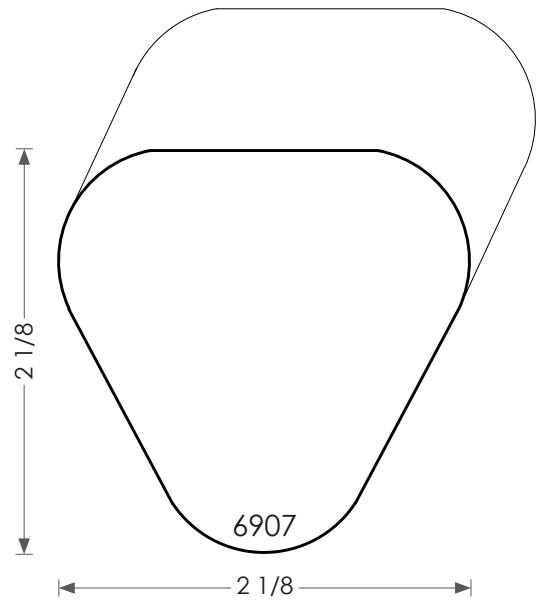
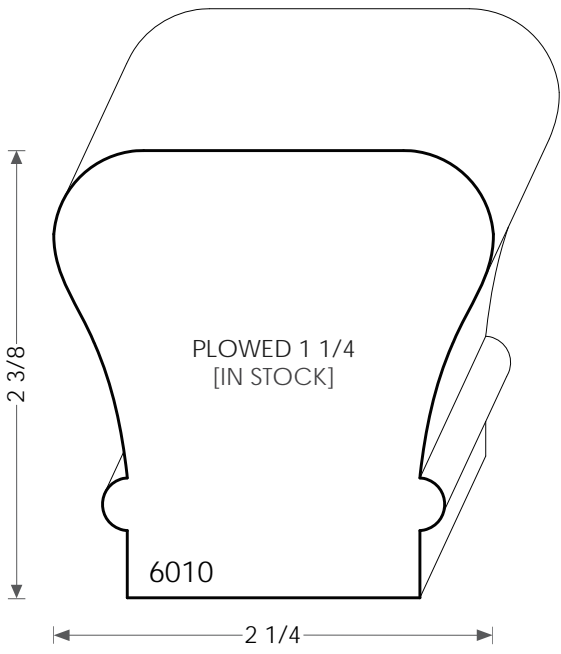
HANDRAIL

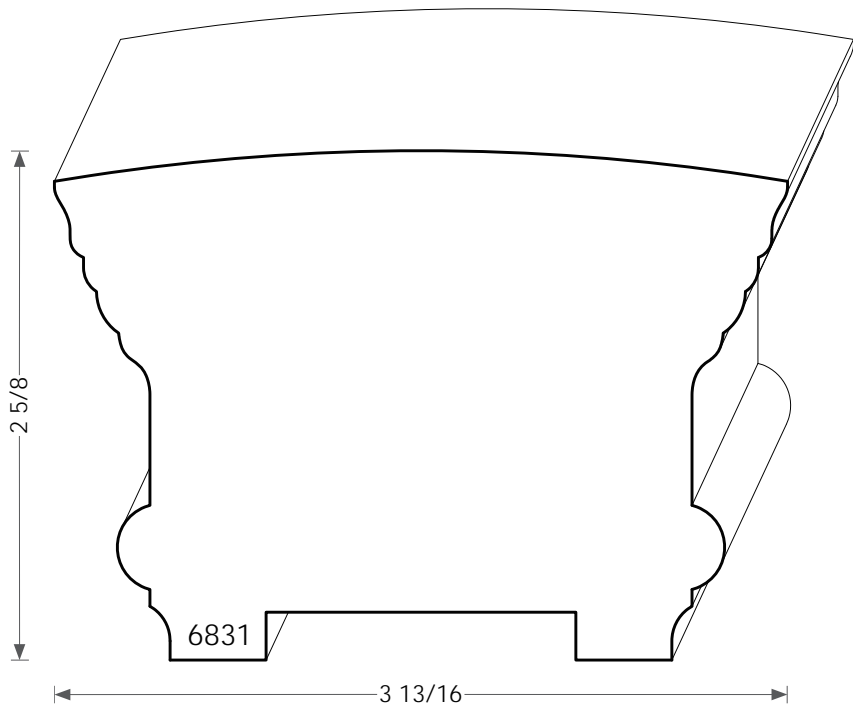


HANDRAILS CAN BE PLOWED FOR CUSTOM WIDTHS.



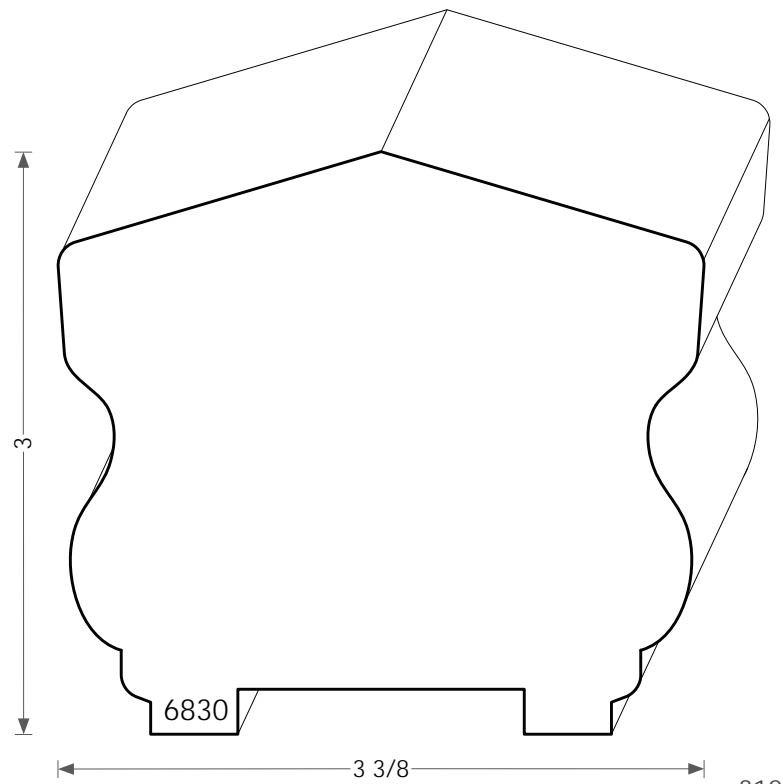
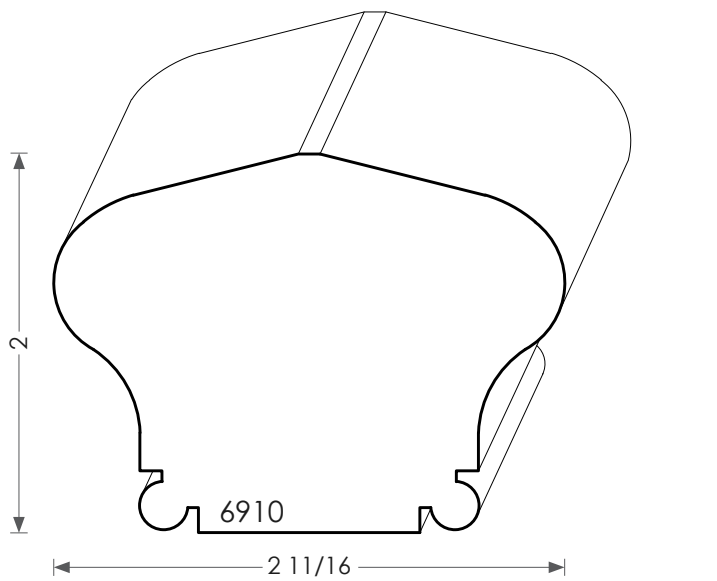
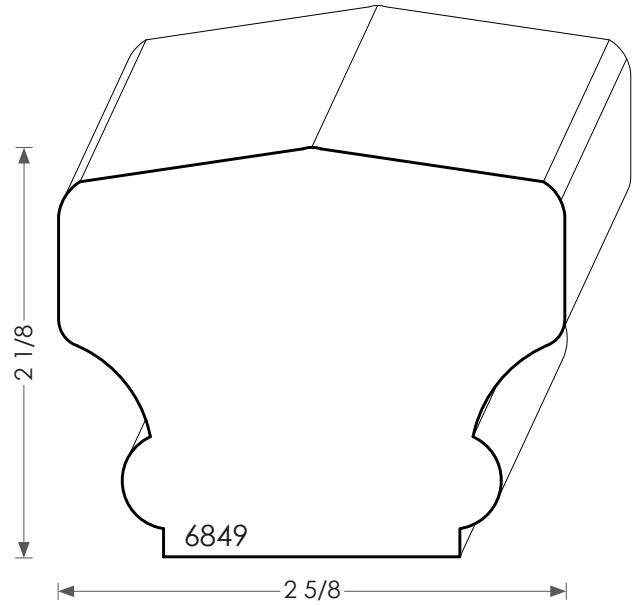
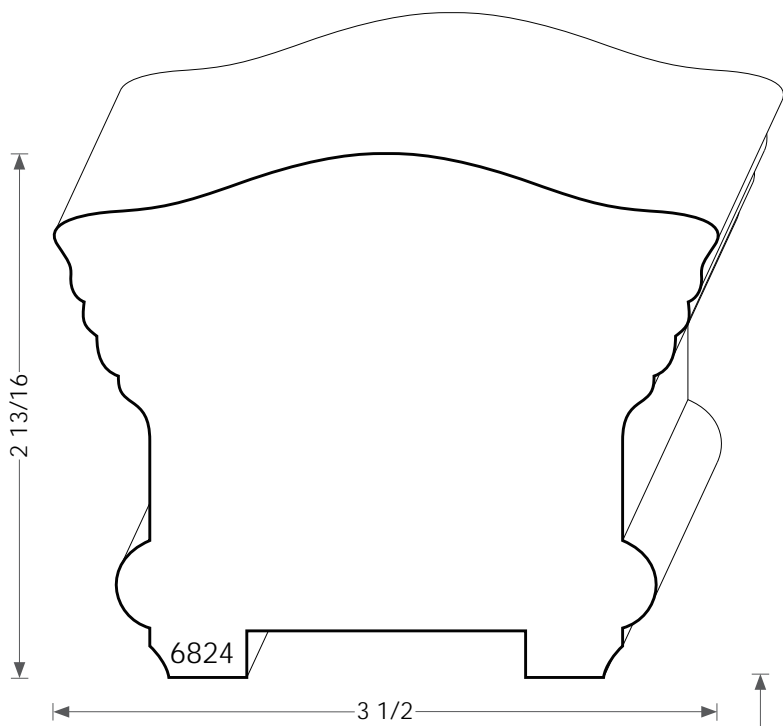


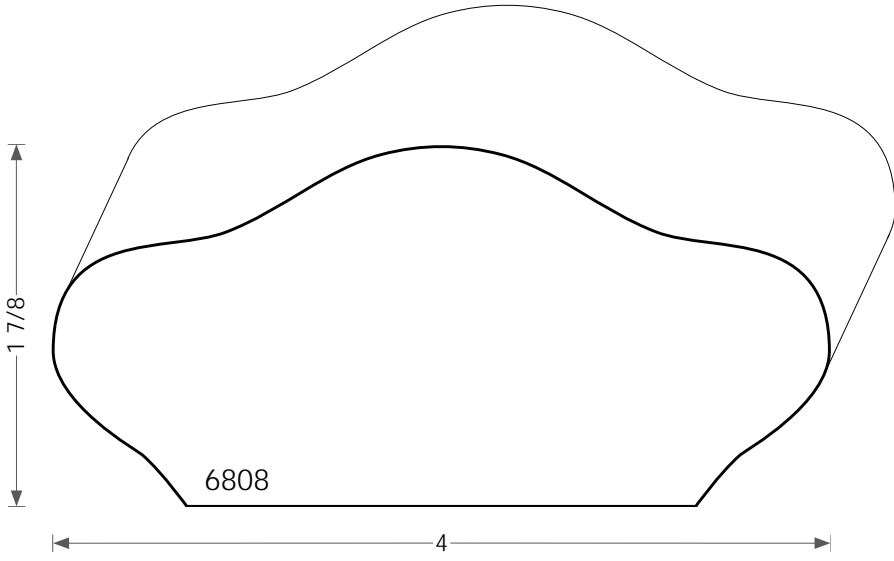
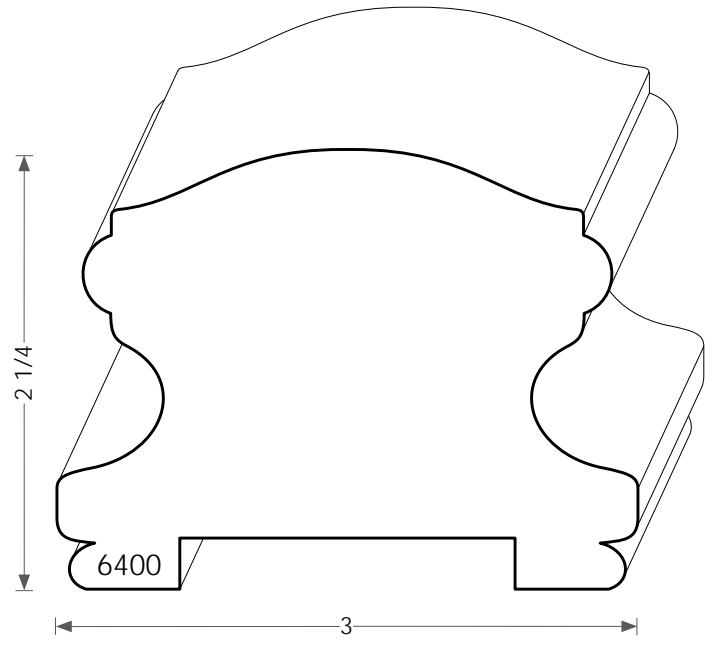
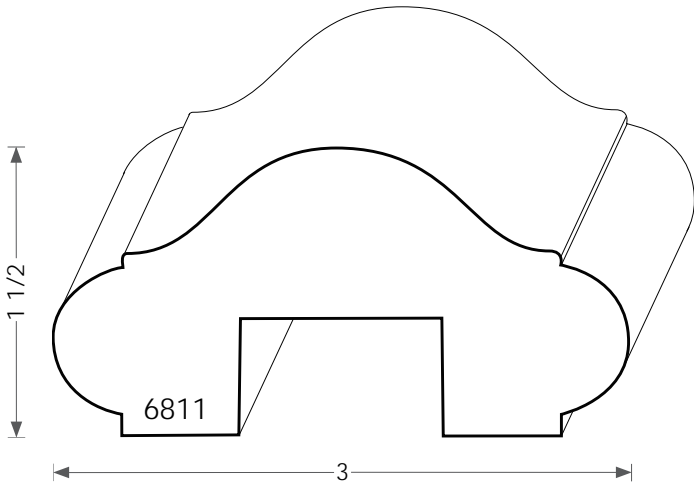




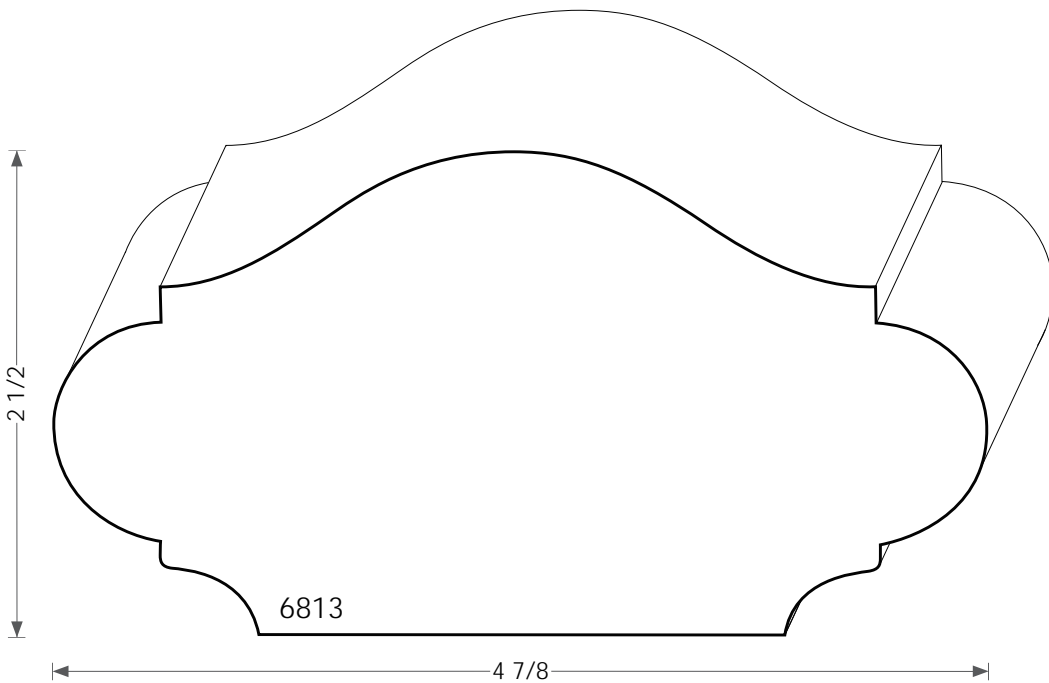
HANDRAILS CAN BE PLOWED FOR CUSTOM WIDTHS.

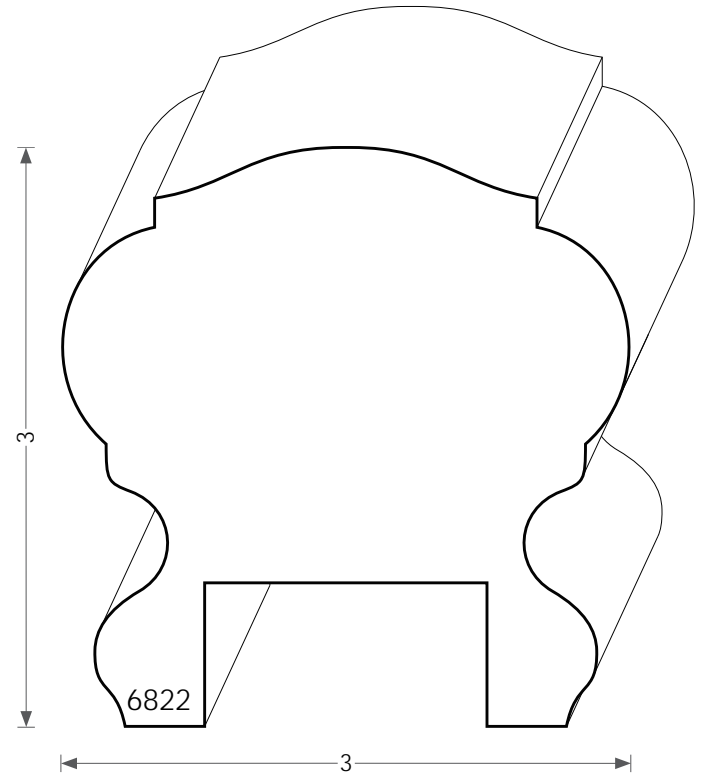
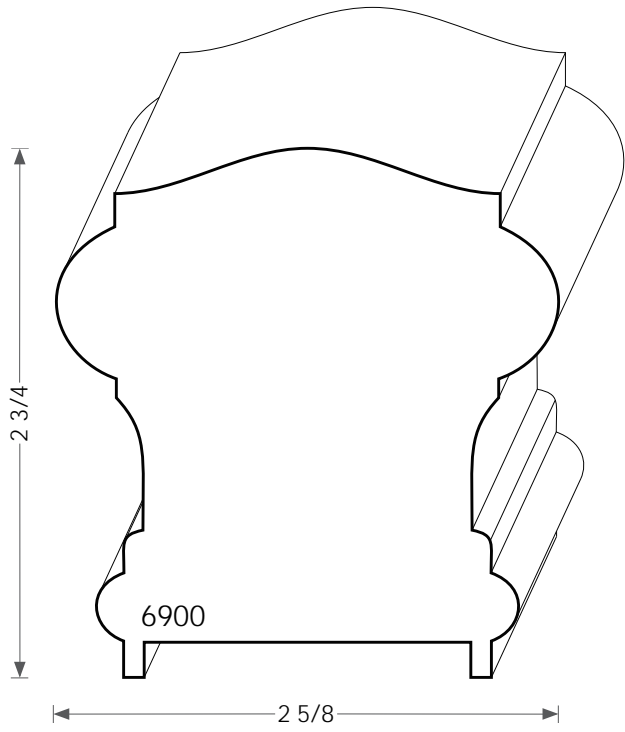
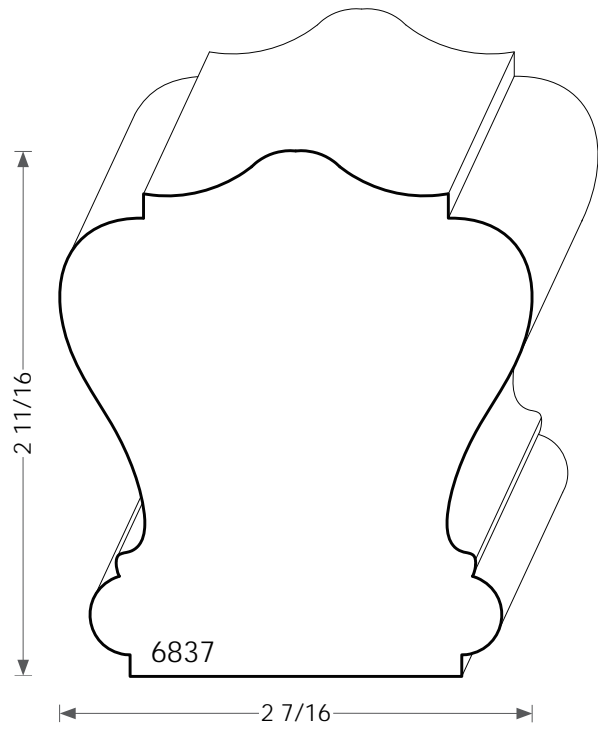
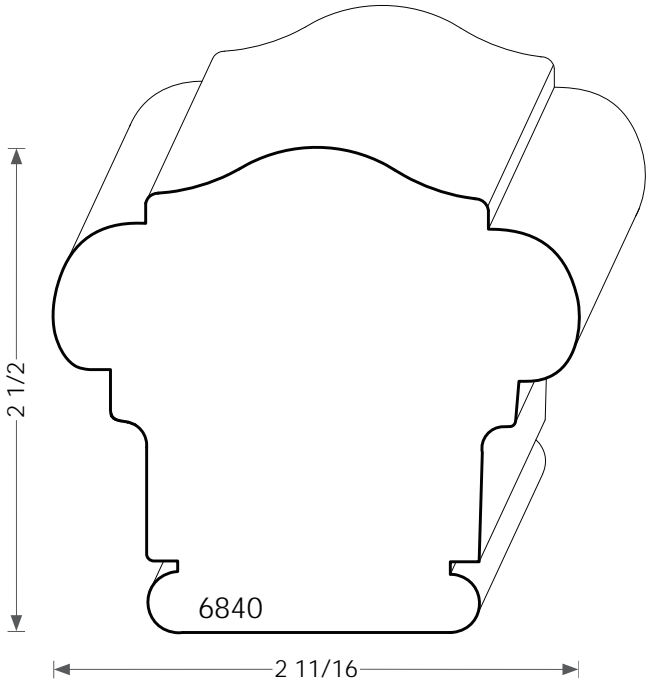
HANDRAIL



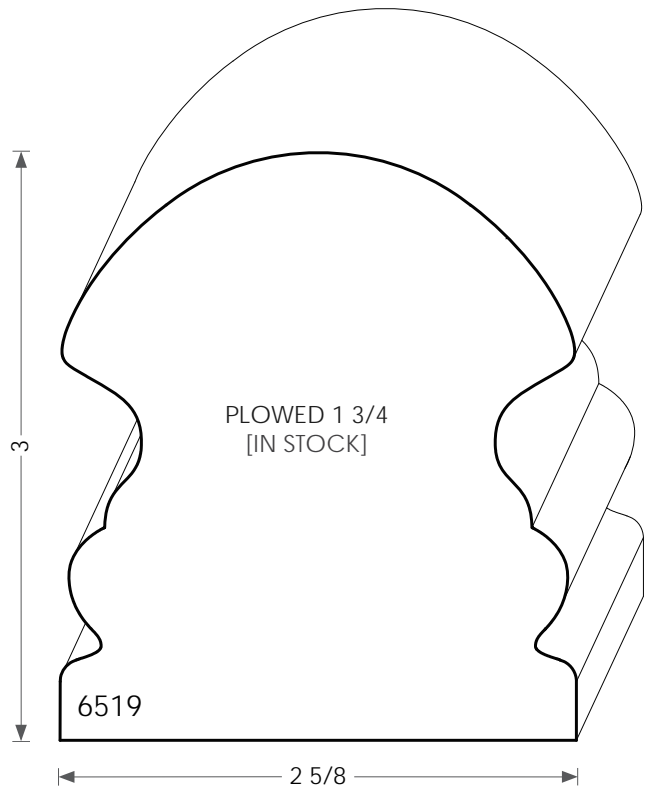
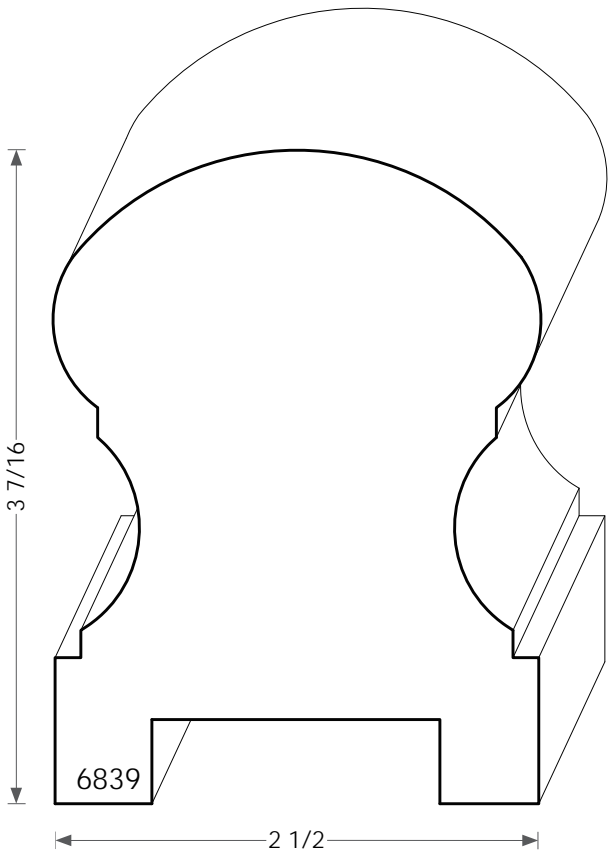
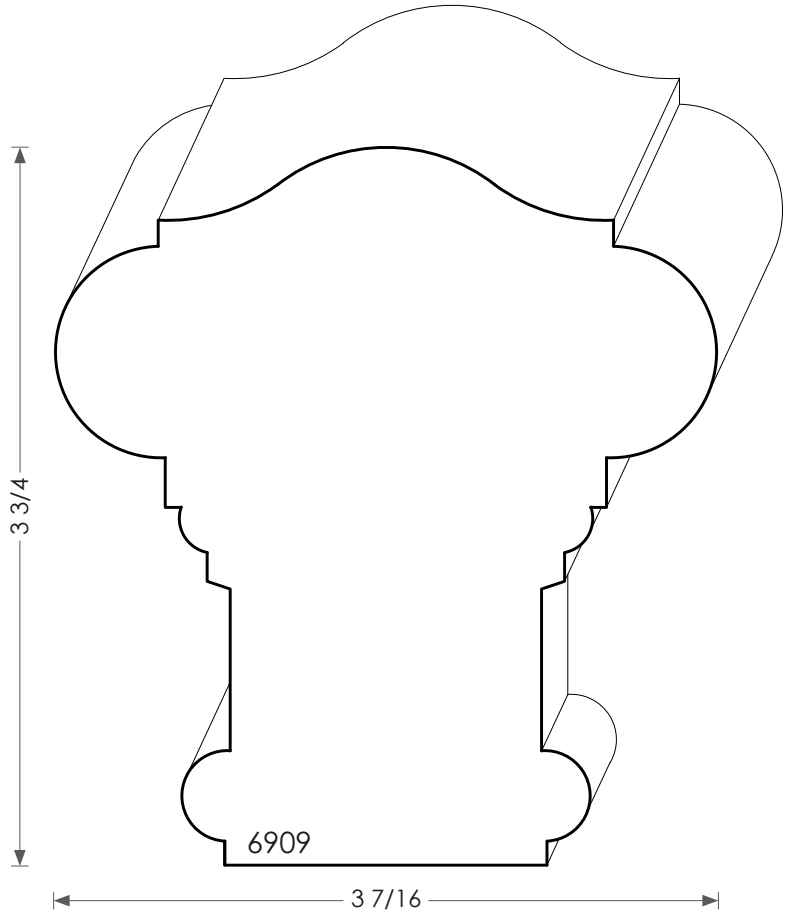
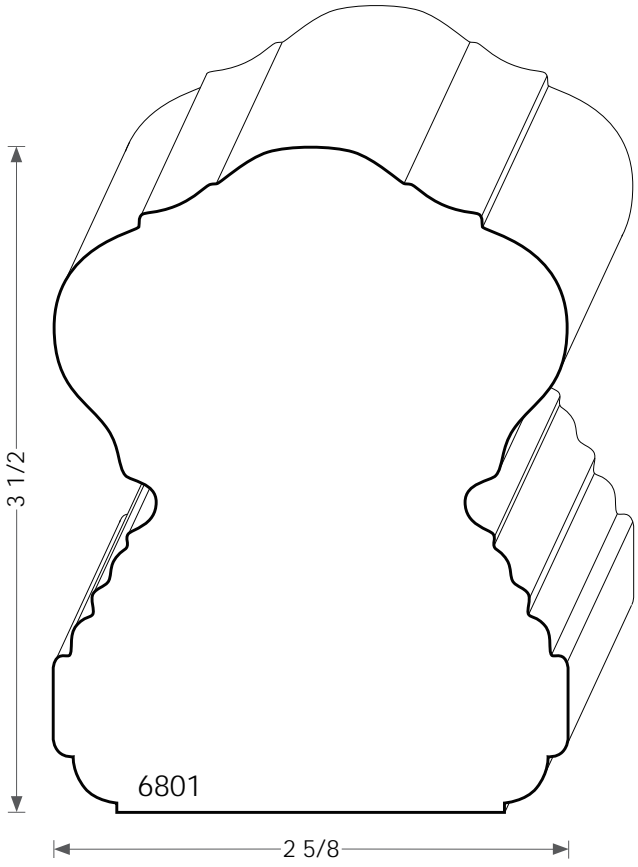


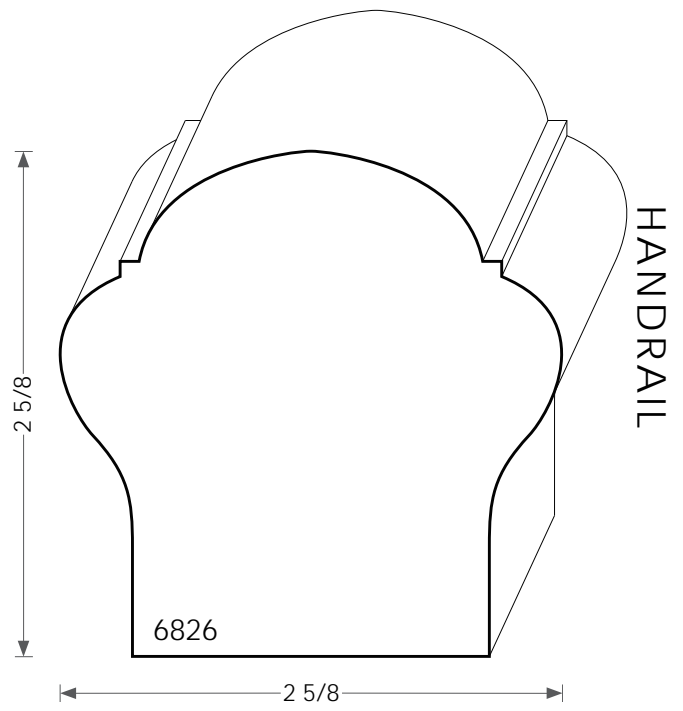
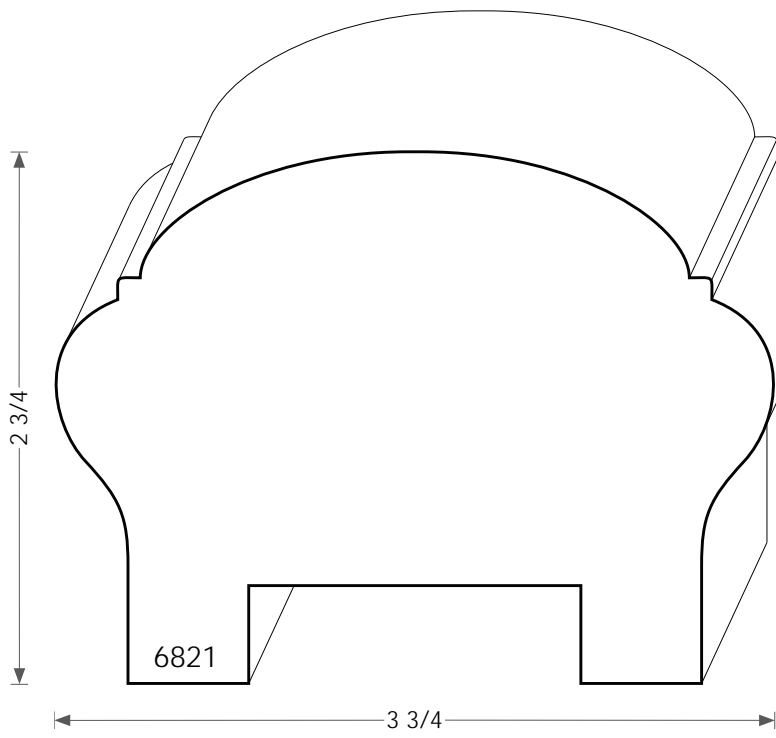
HANDRAILS CAN BE PLOWED FOR CUSTOM WIDTHS.



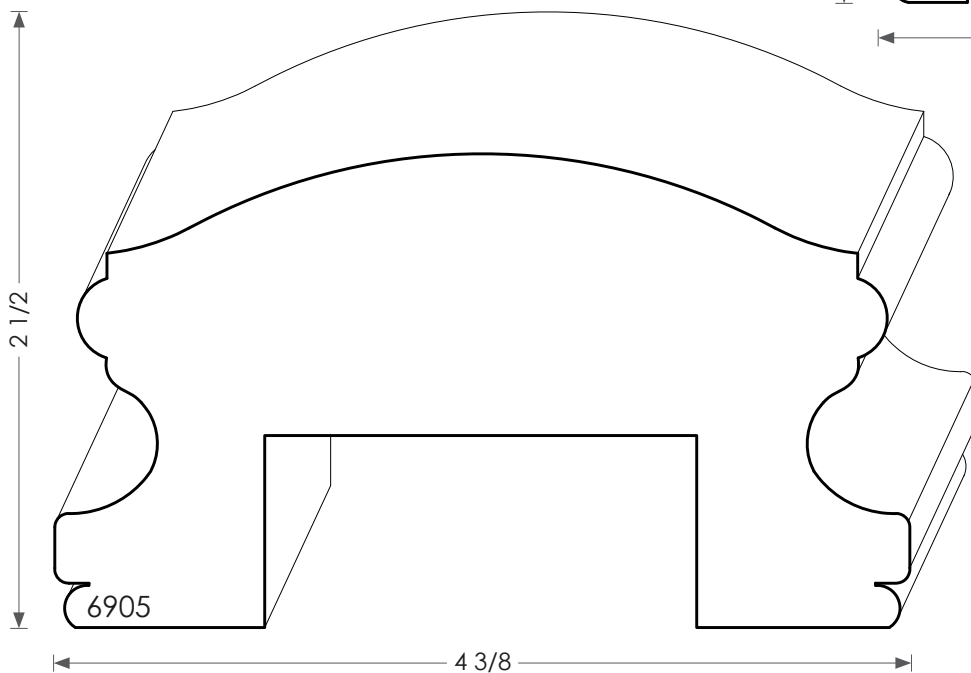
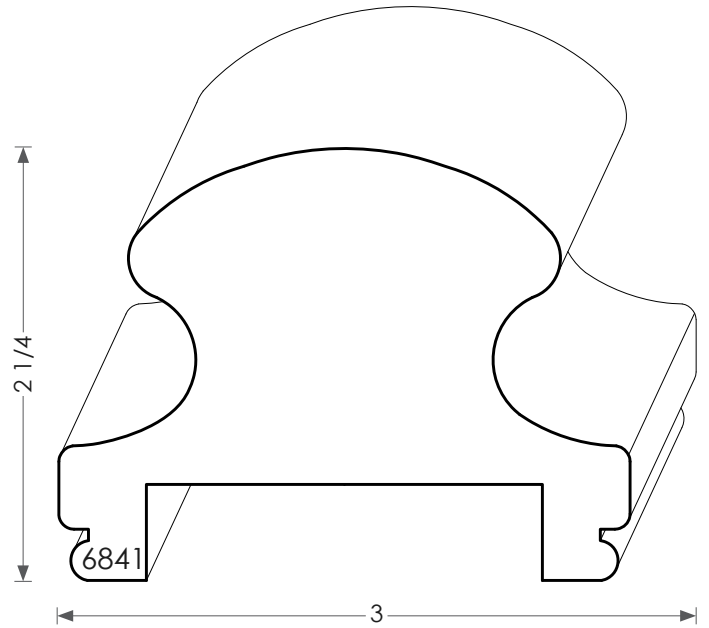
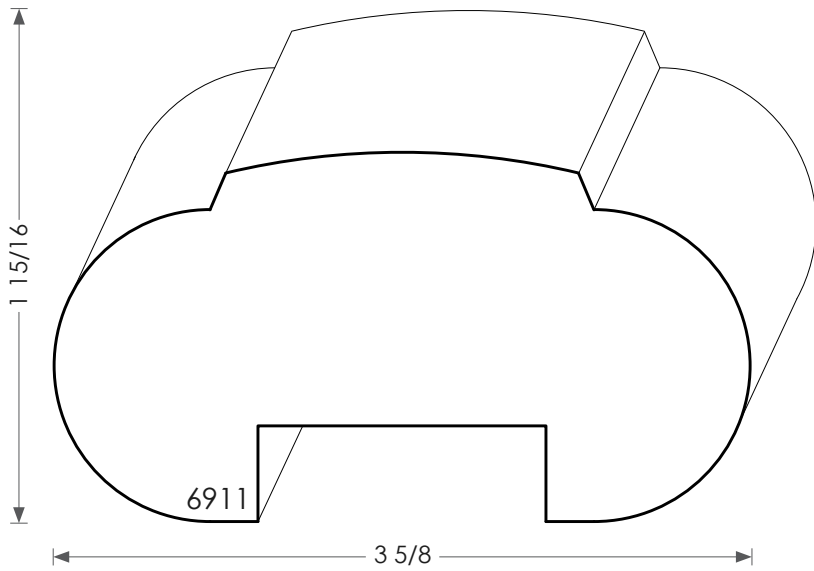


HANDRAIL

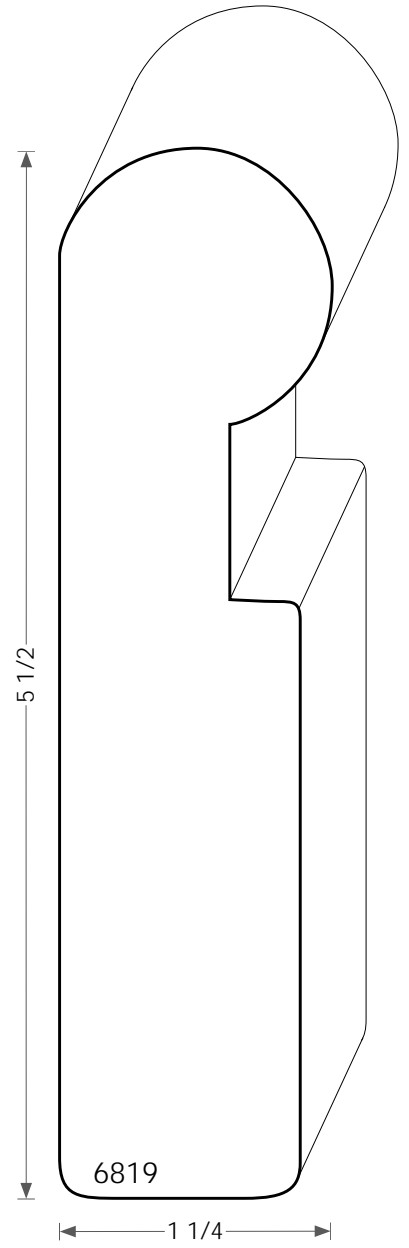
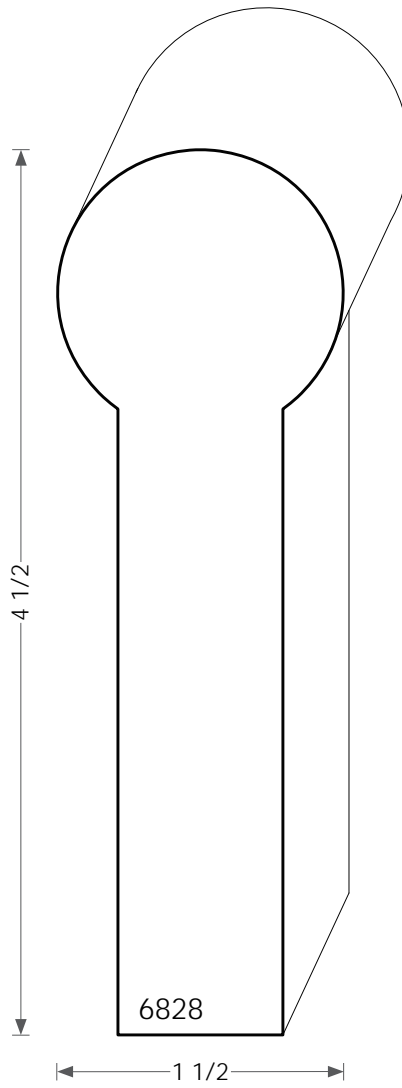
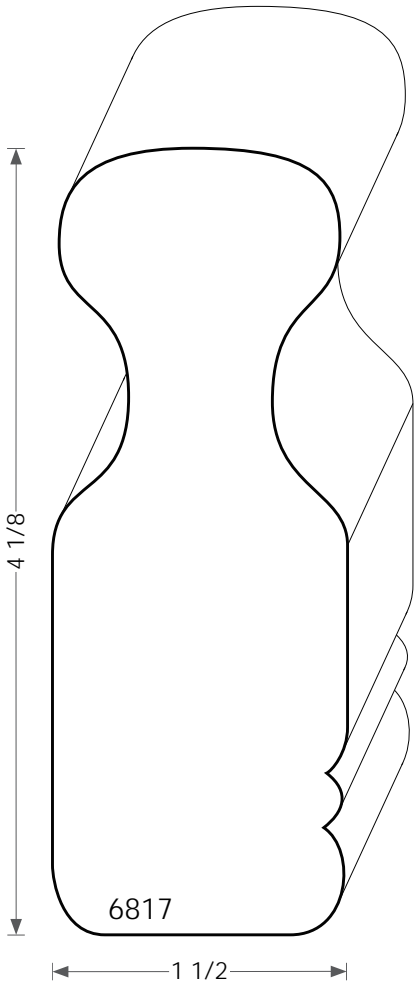
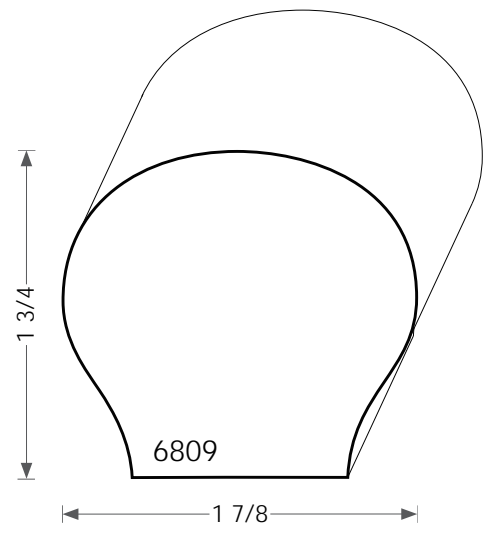
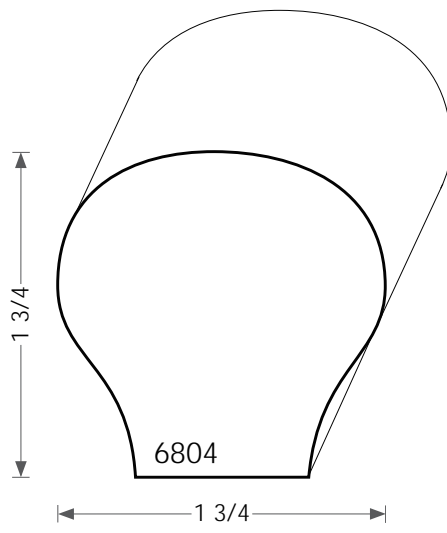
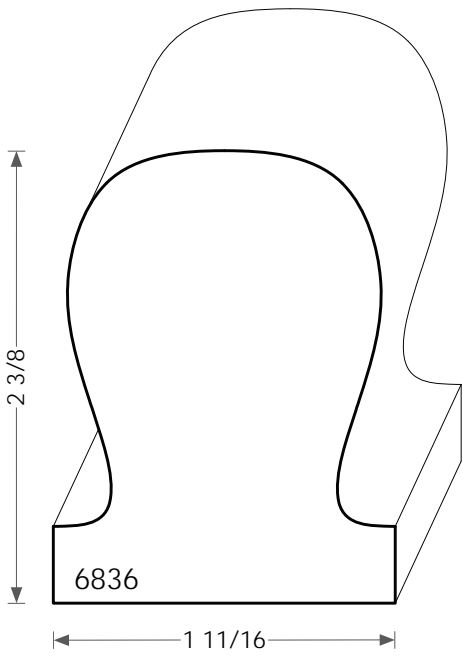


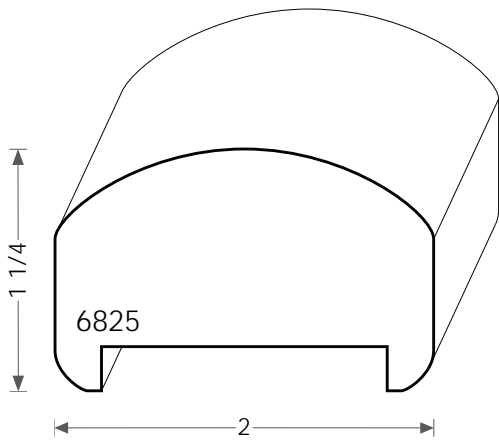


HANDRAIL

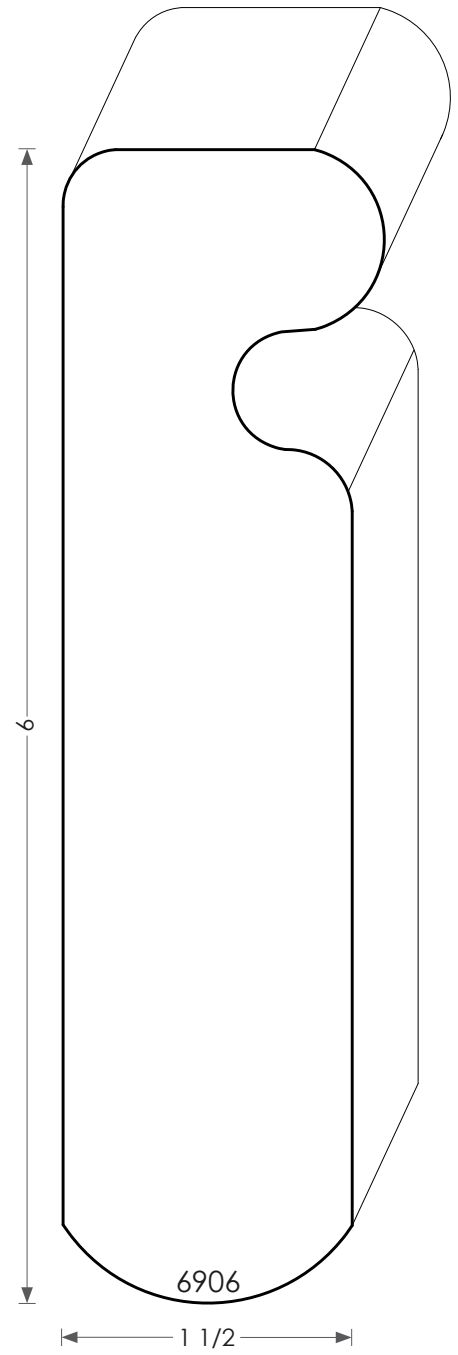
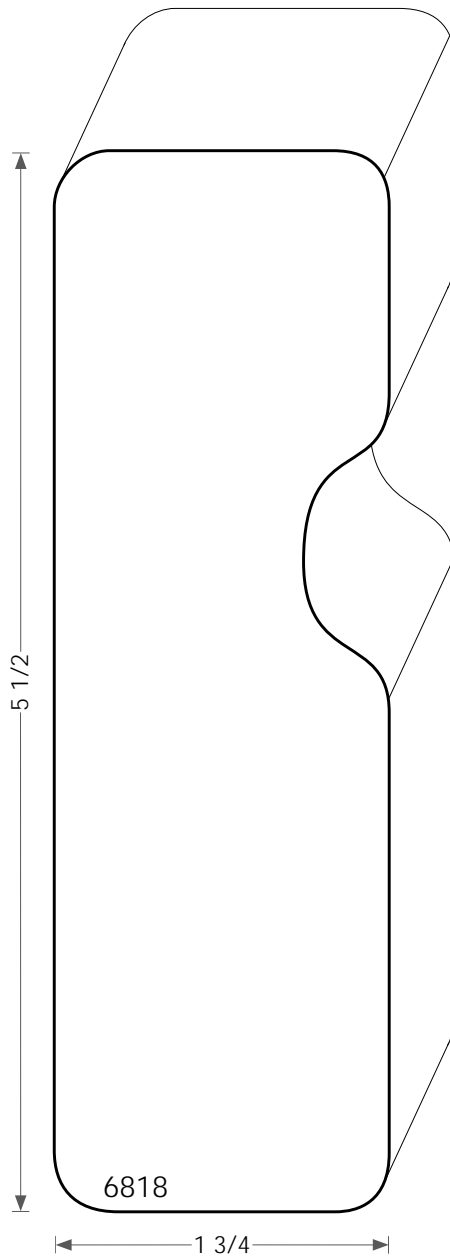
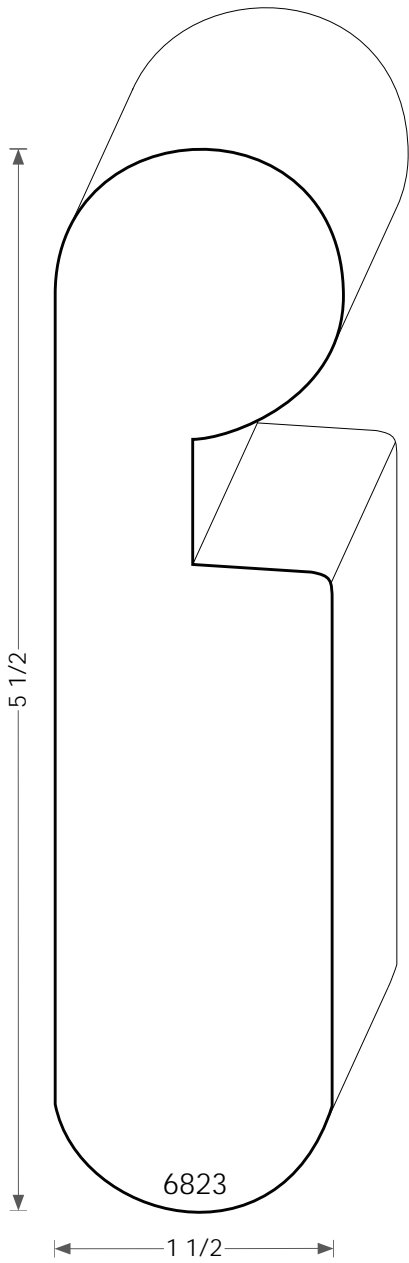


HANDRAILS CAN BE PLOWED FOR CUSTOM WIDTHS.



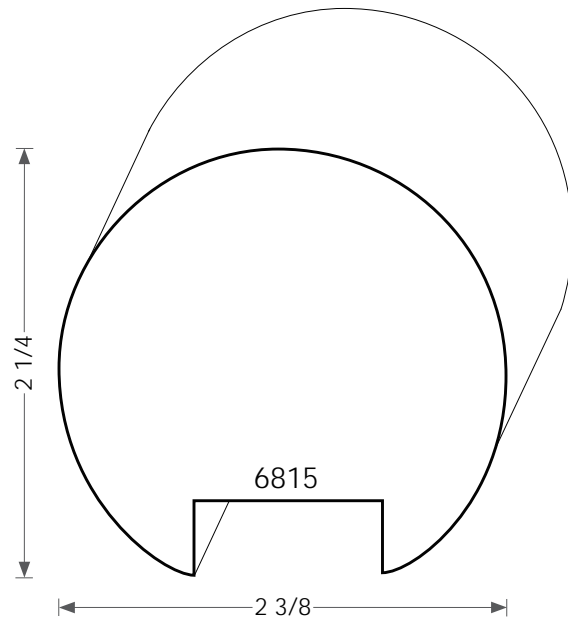
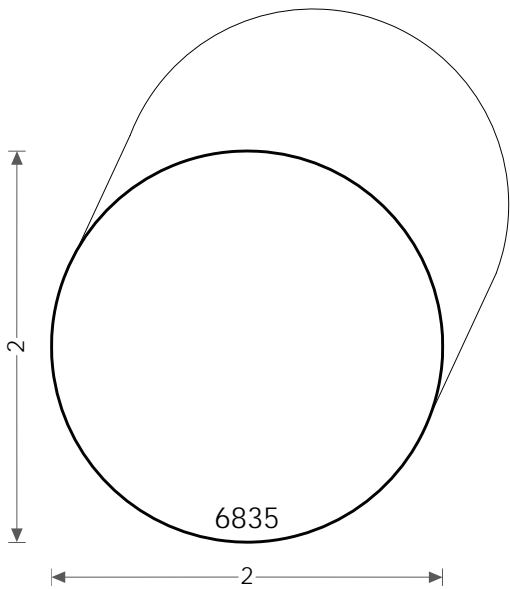
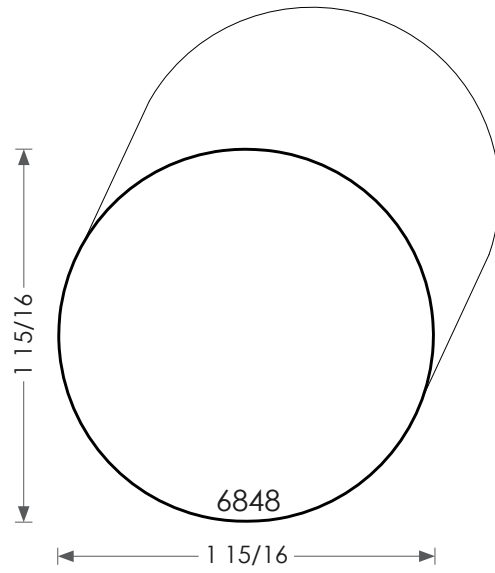
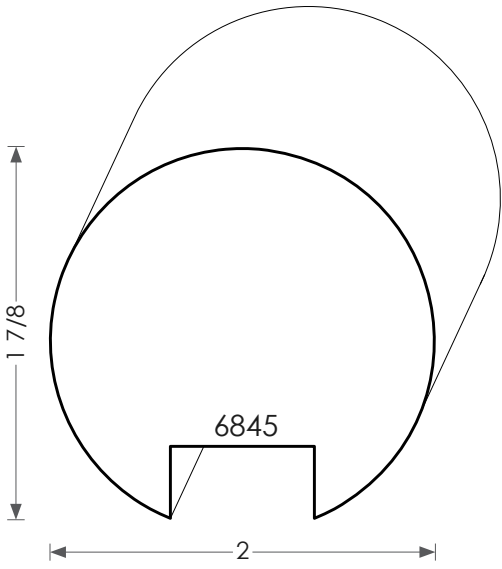
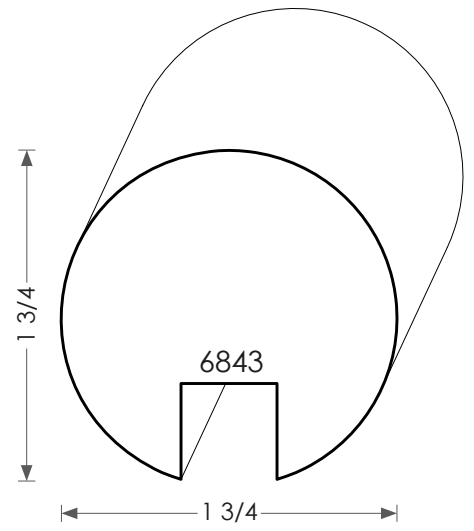
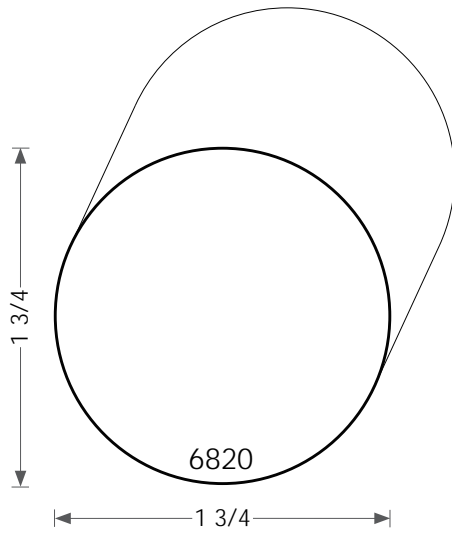
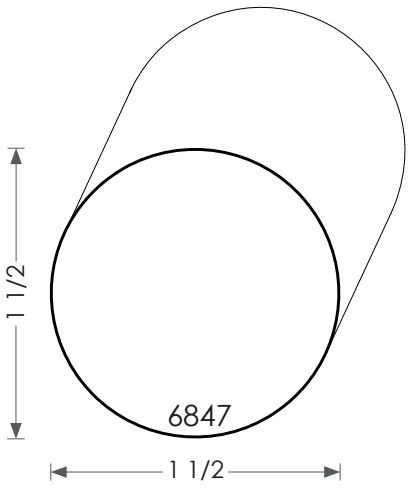


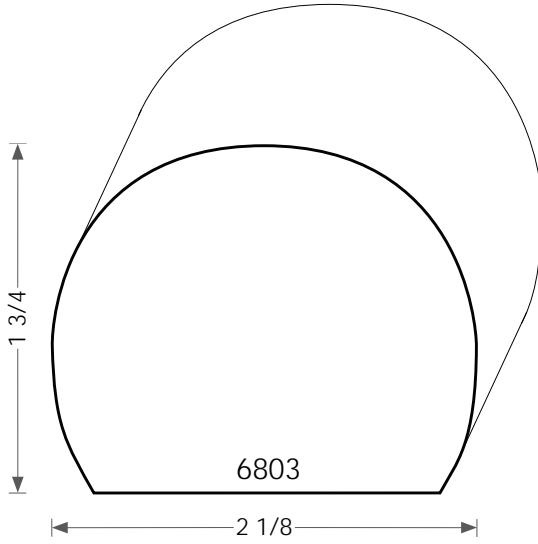
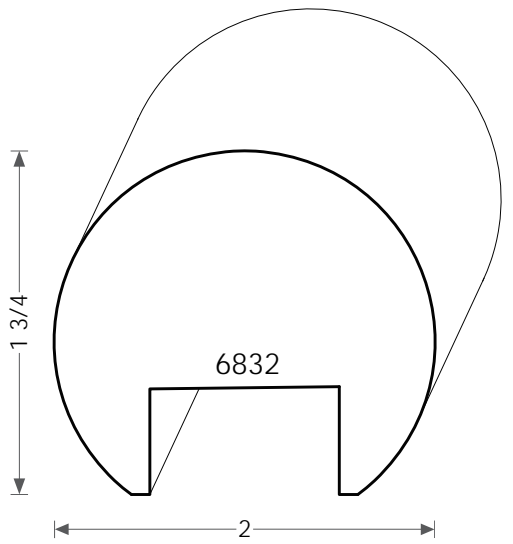
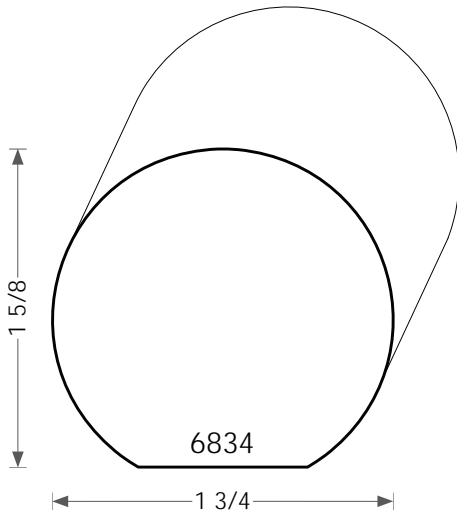
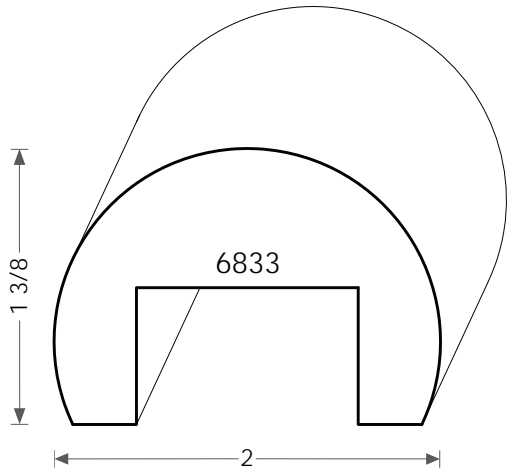
HANDRAILS CAN BE PLOWED FOR CUSTOM WIDTHS.



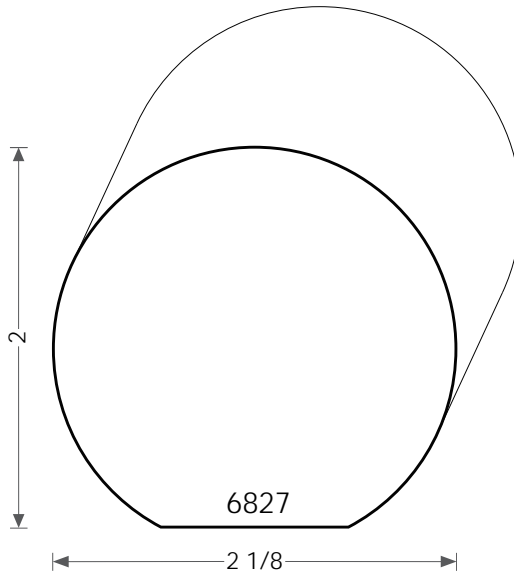
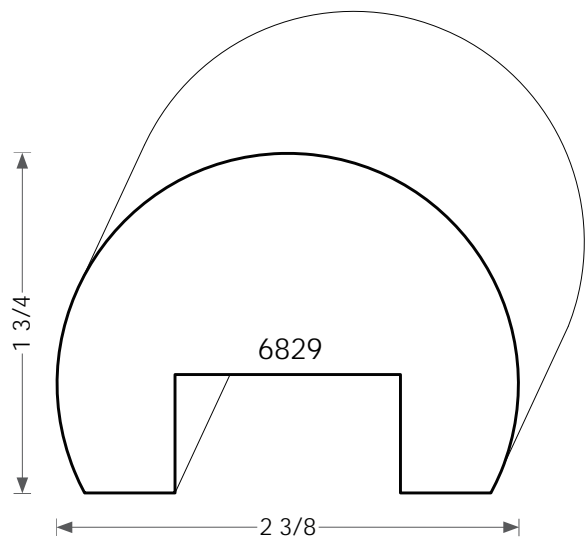
HANDRAIL

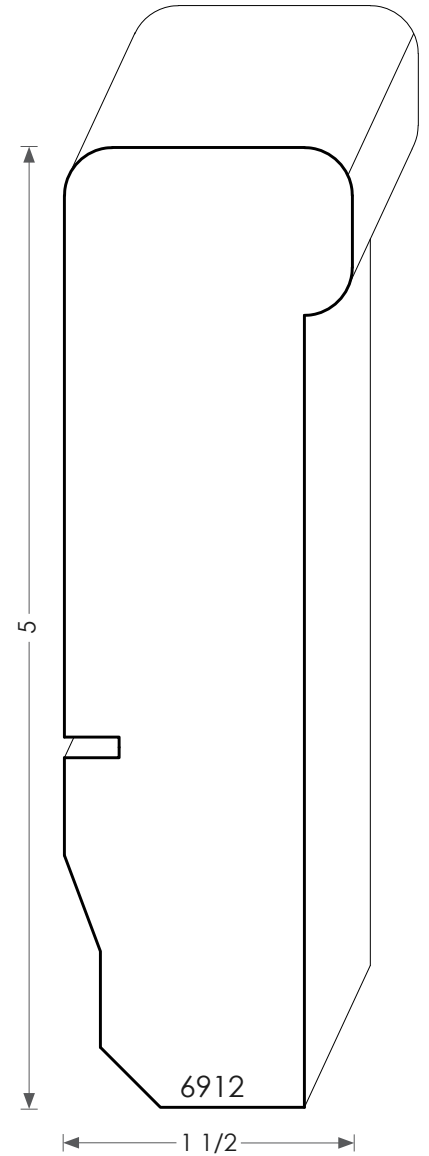
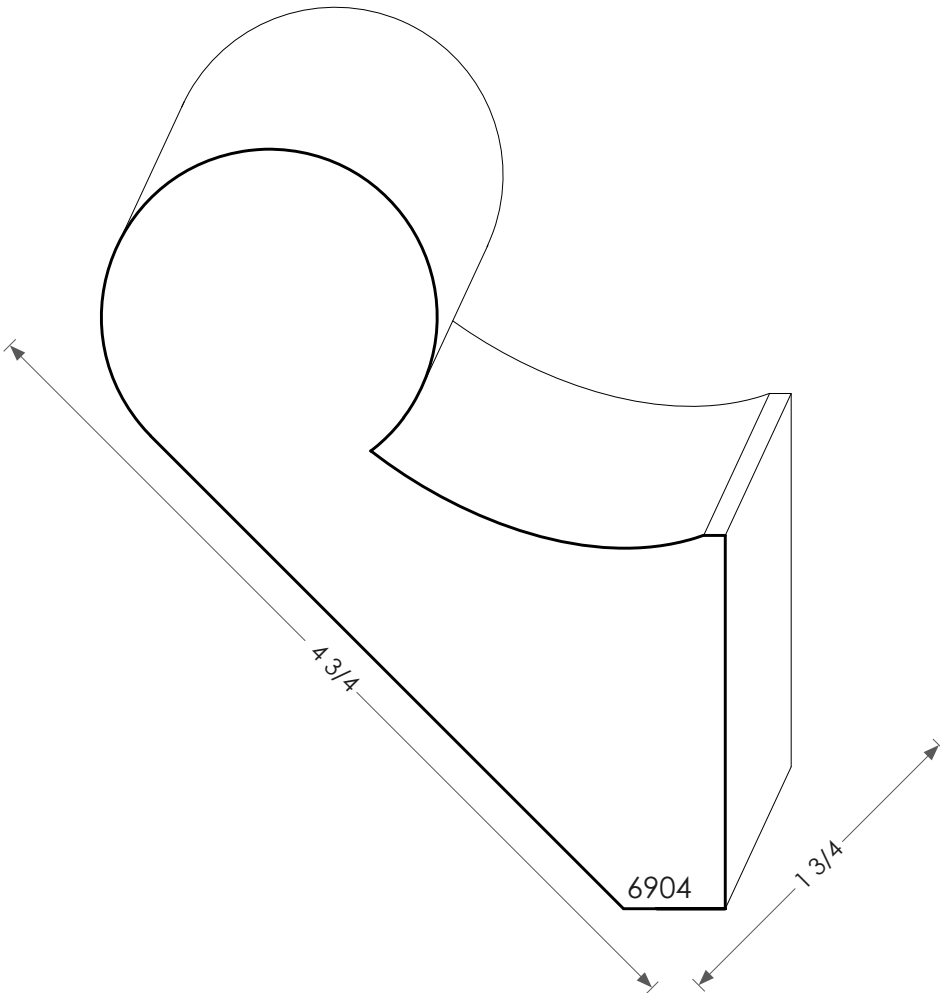
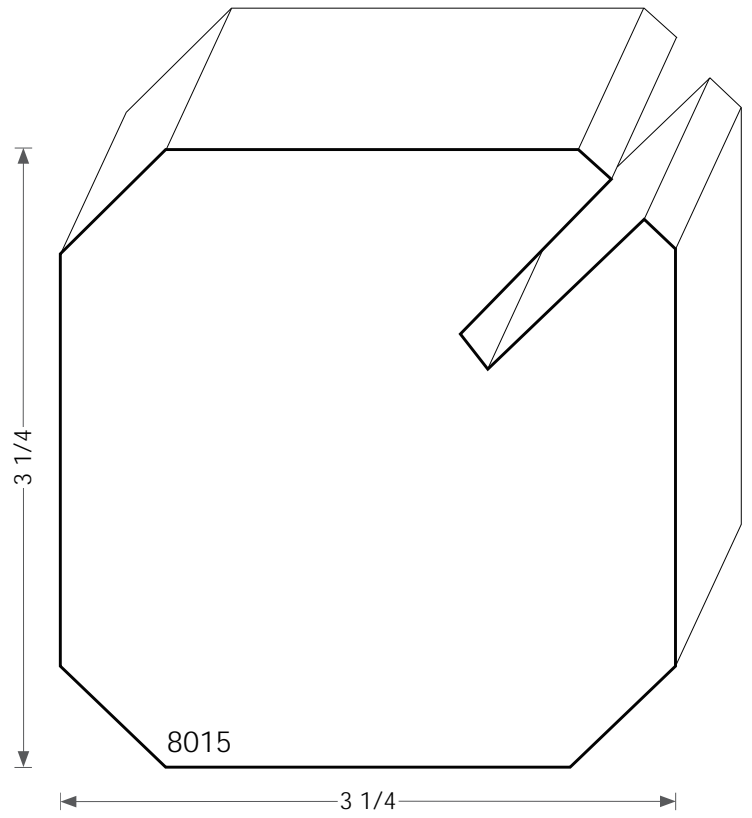
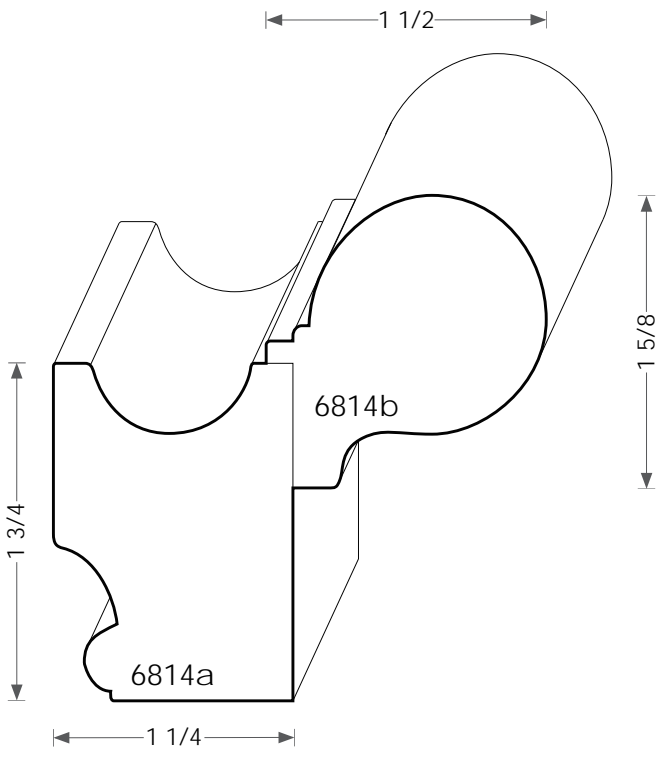




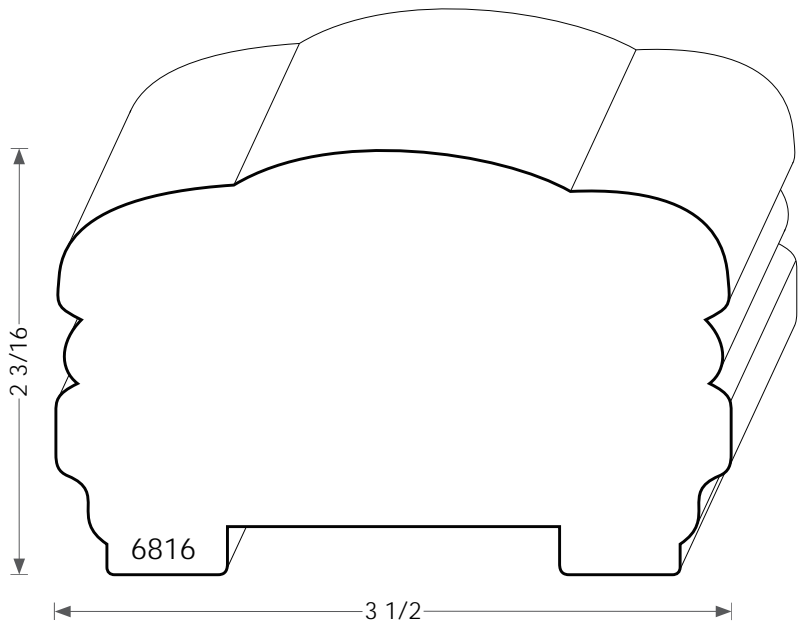


HANDRAILS CAN BE PLOWED FOR CUSTOM WIDTHS.

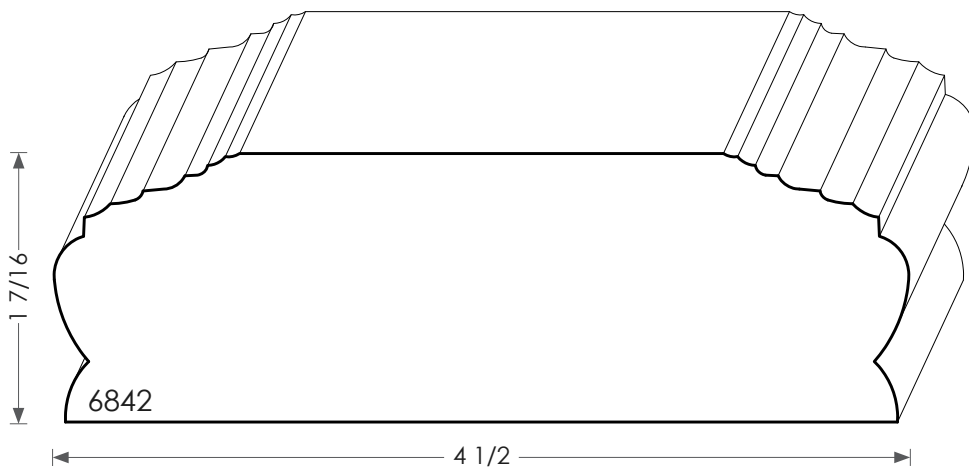
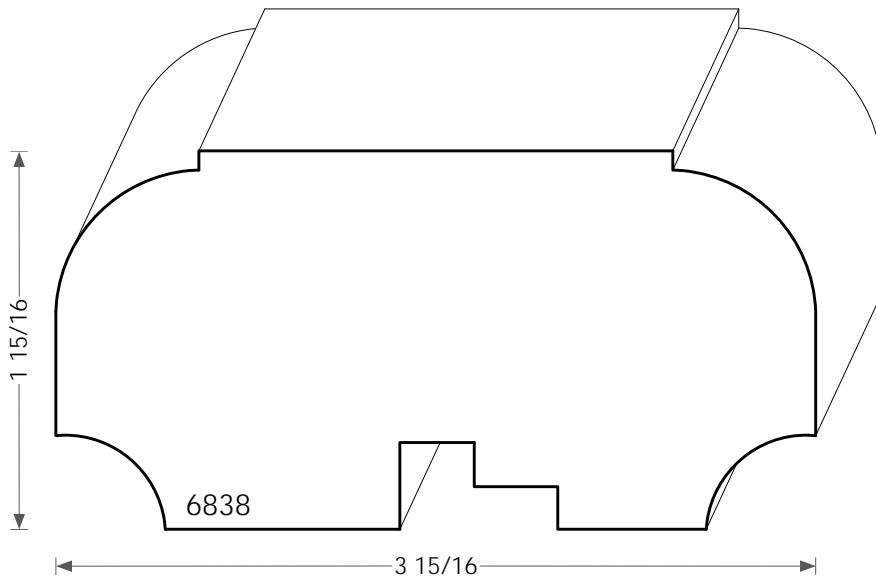




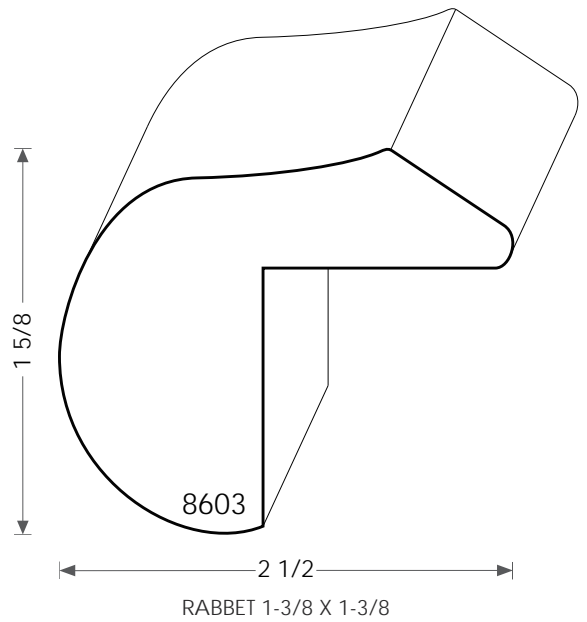
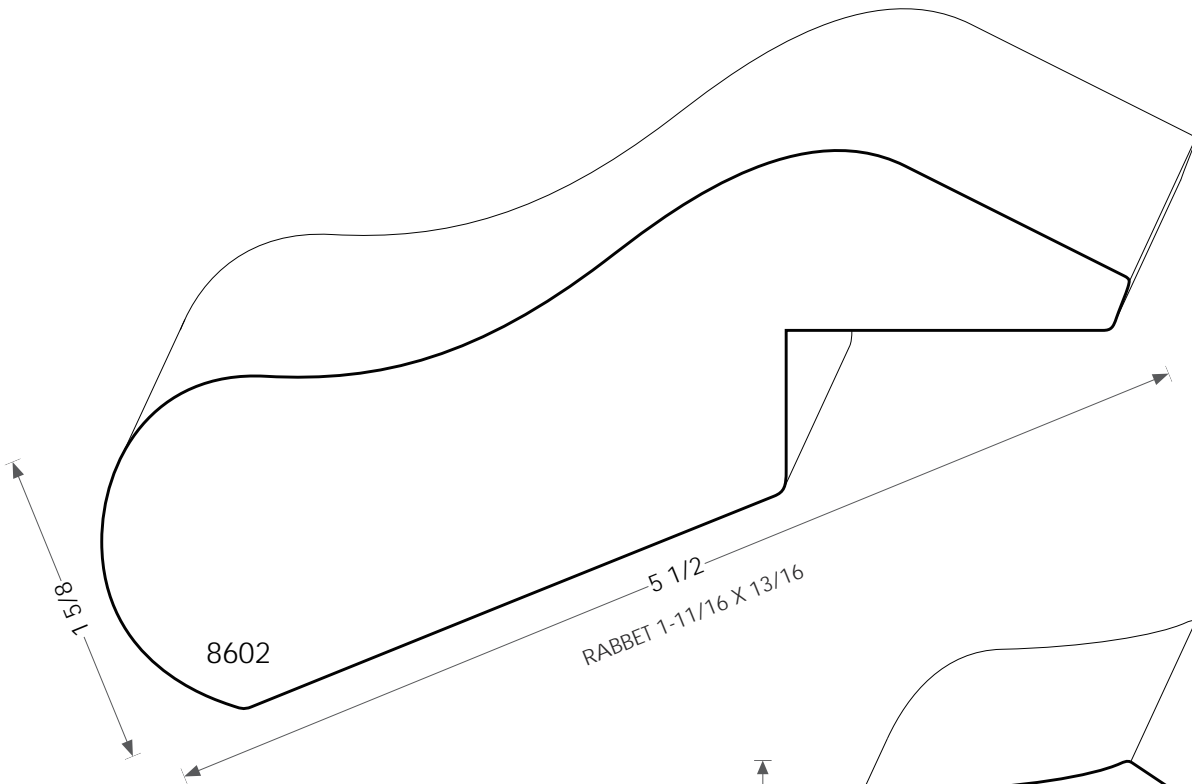
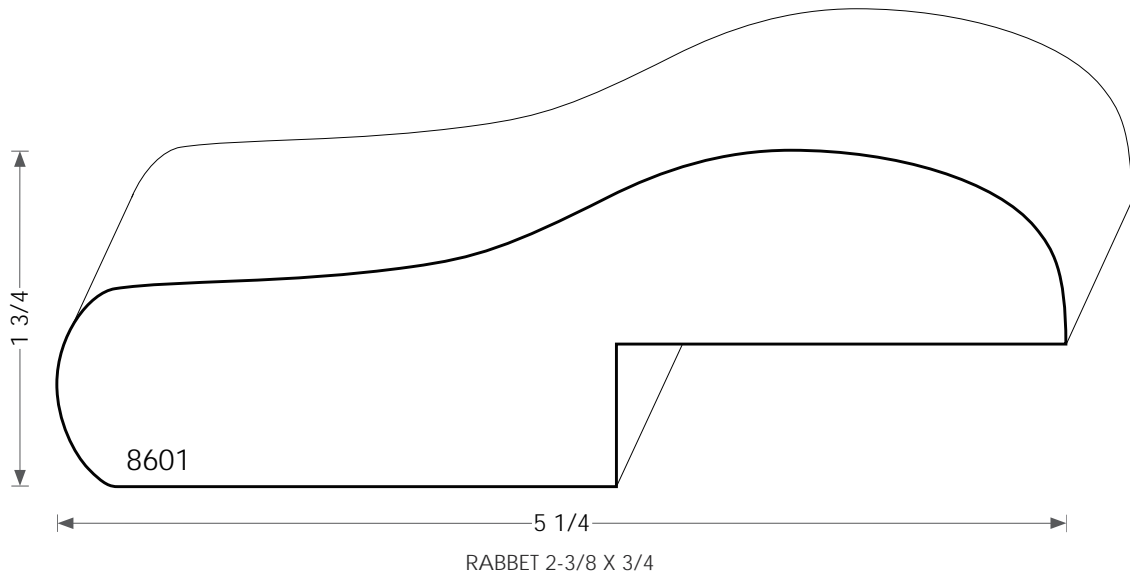
HANDRAIL

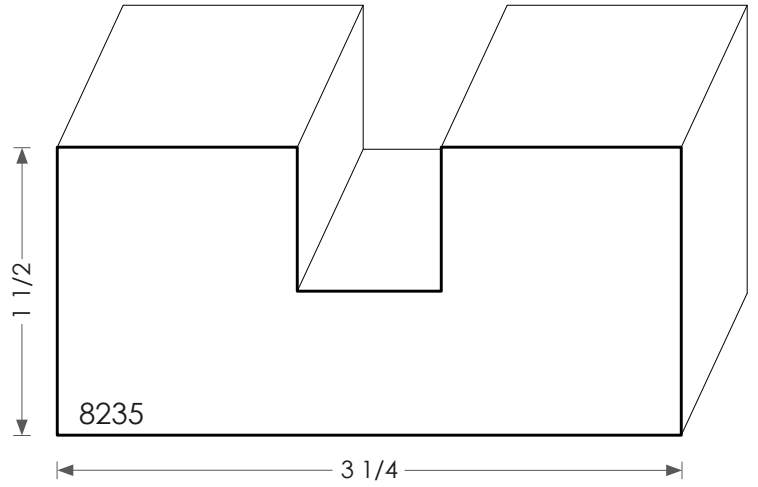
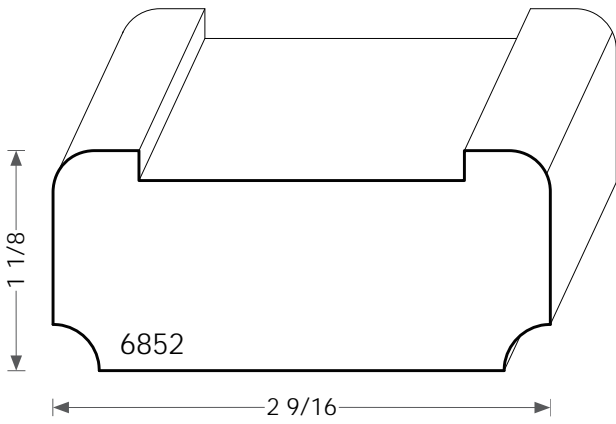
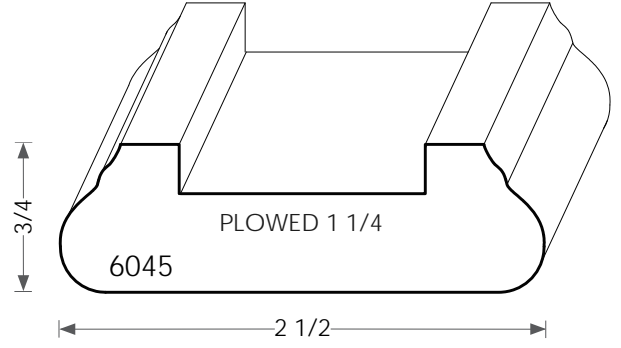
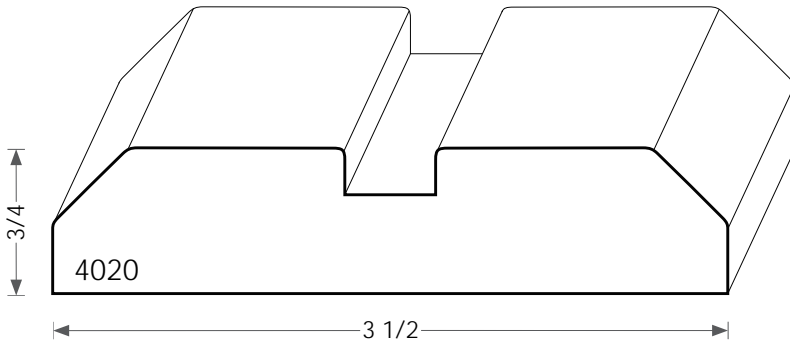
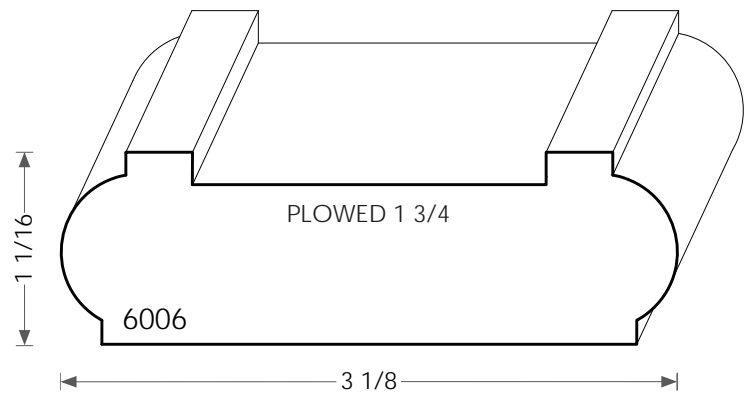
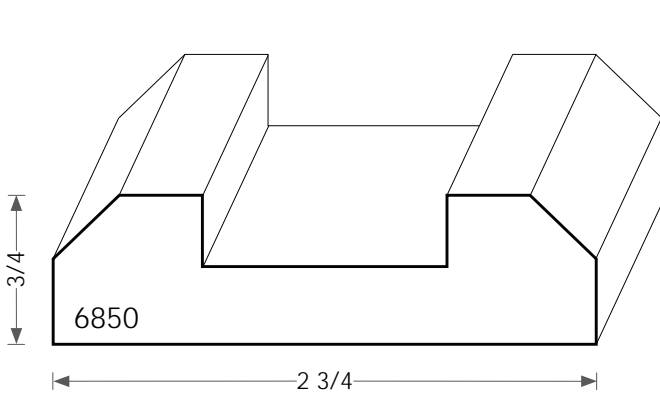


HANDRAILS CAN BE PLOWED FOR CUSTOM WIDTHS.

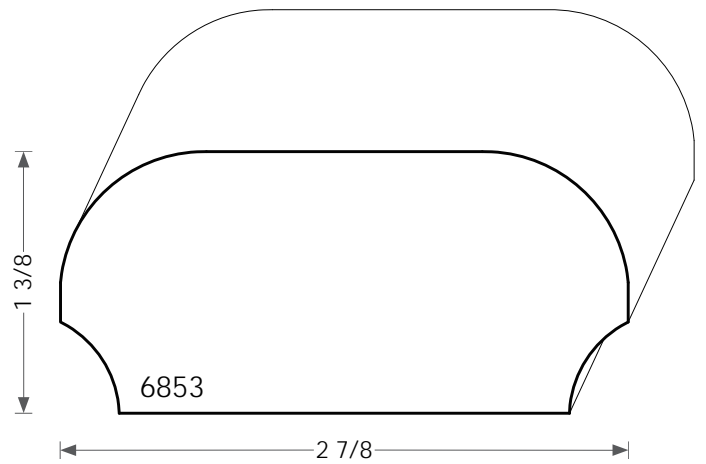
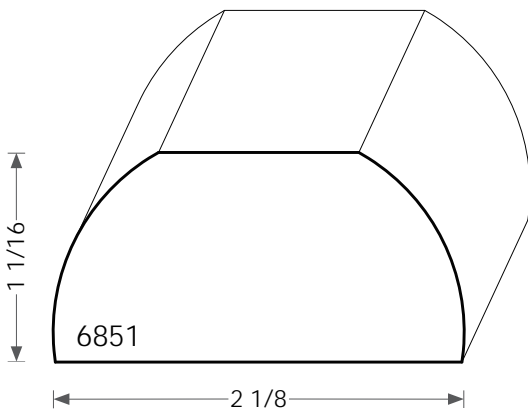


BAR RAIL

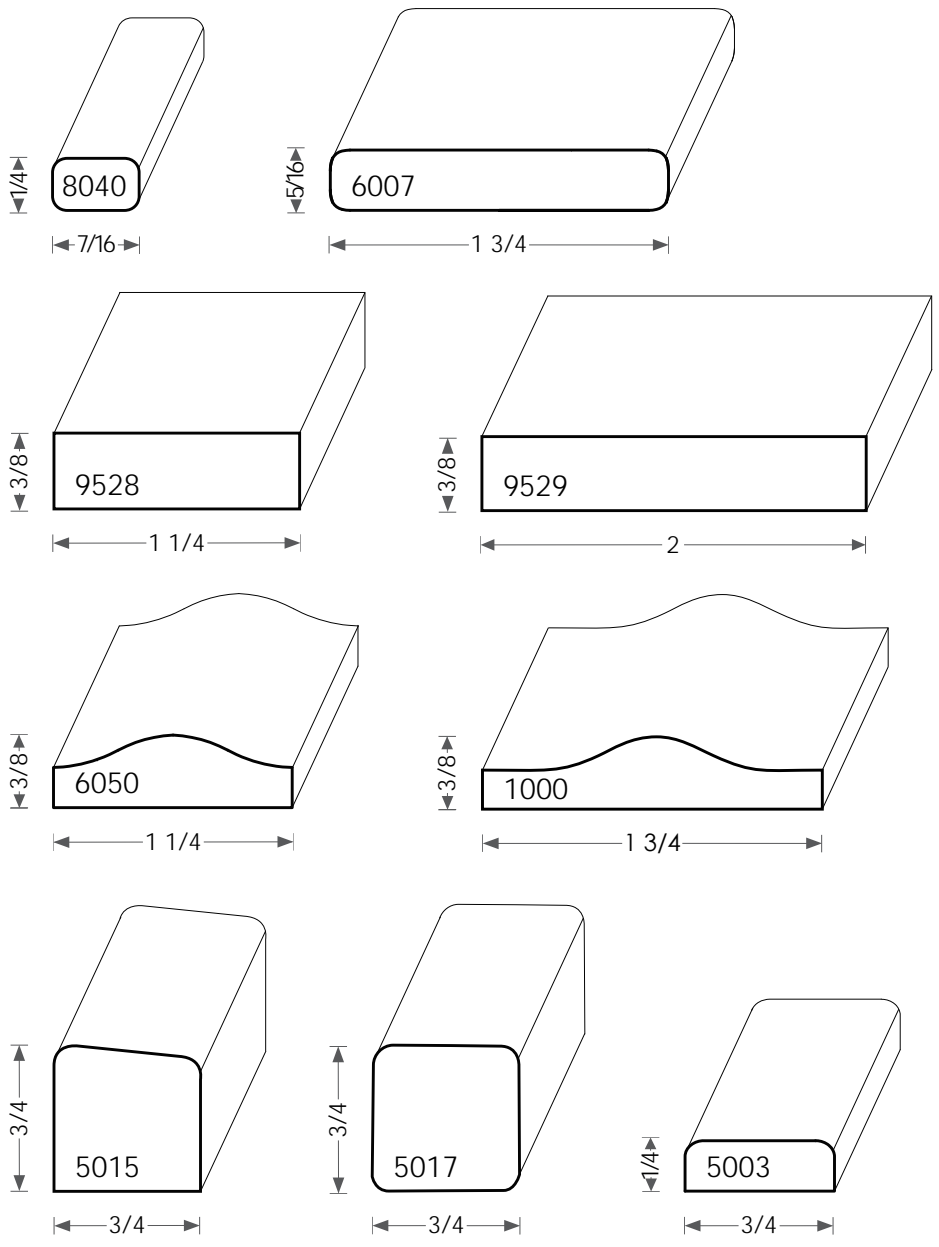




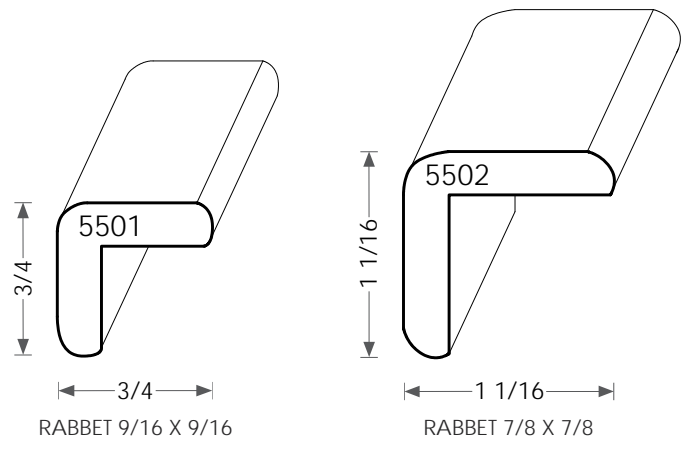
SHOERAILS CAN BE PLOWED FOR CUSTOM WIDTHS.

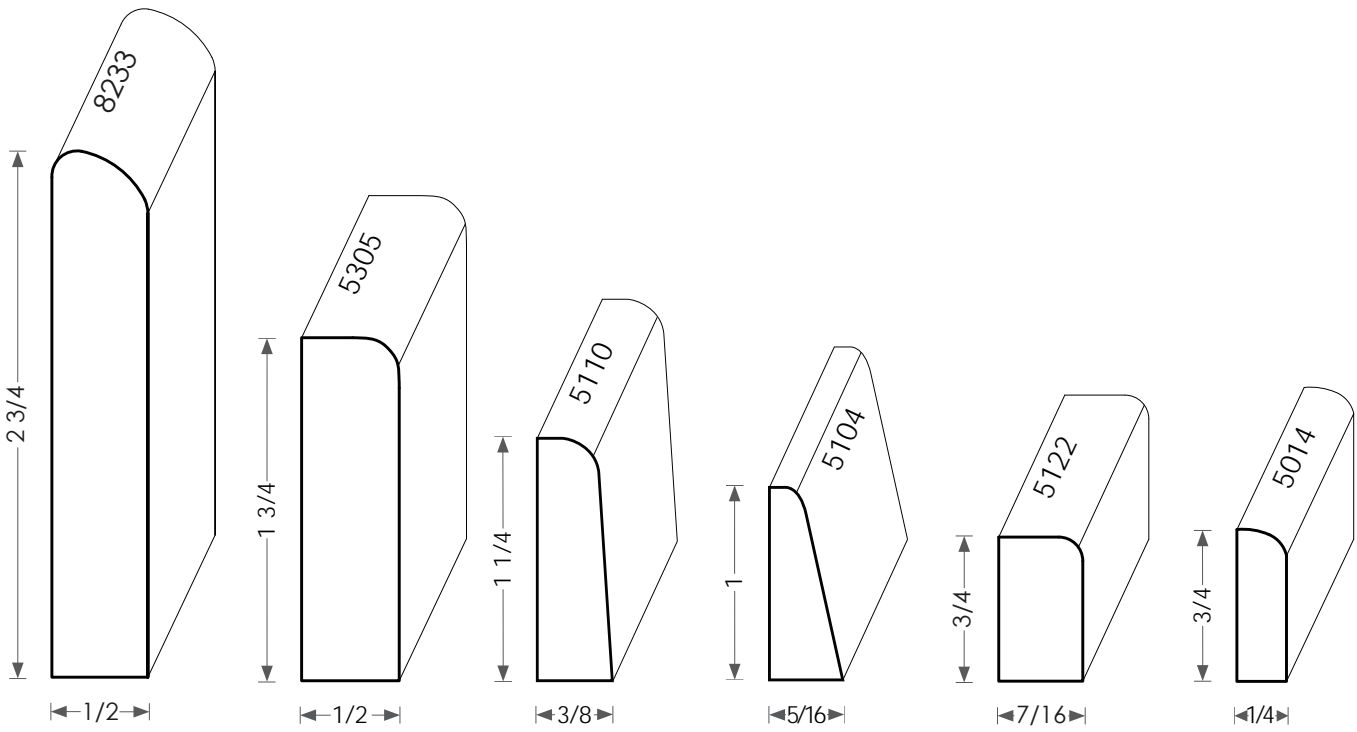
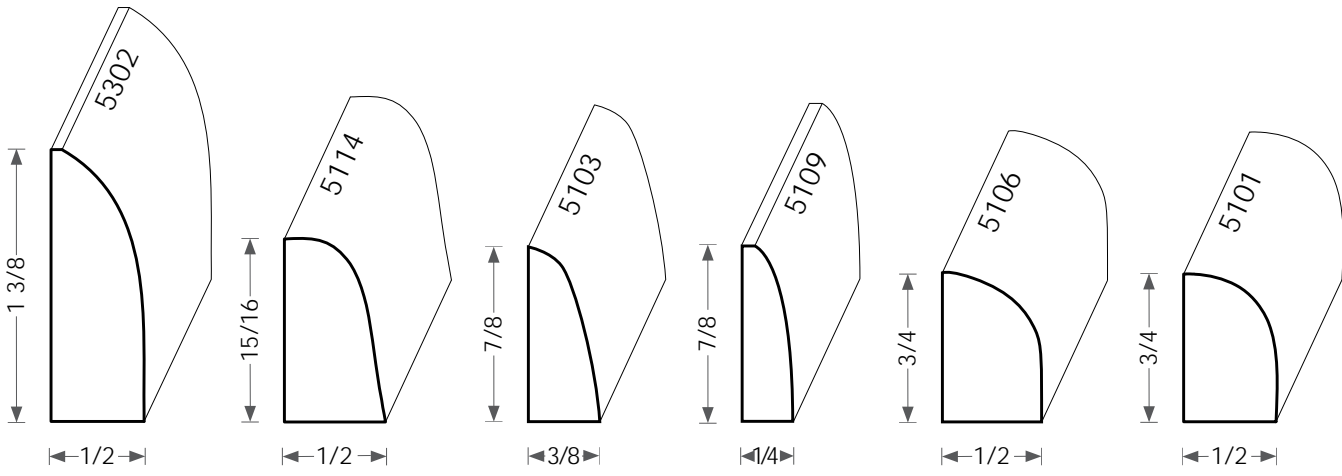


FILLET



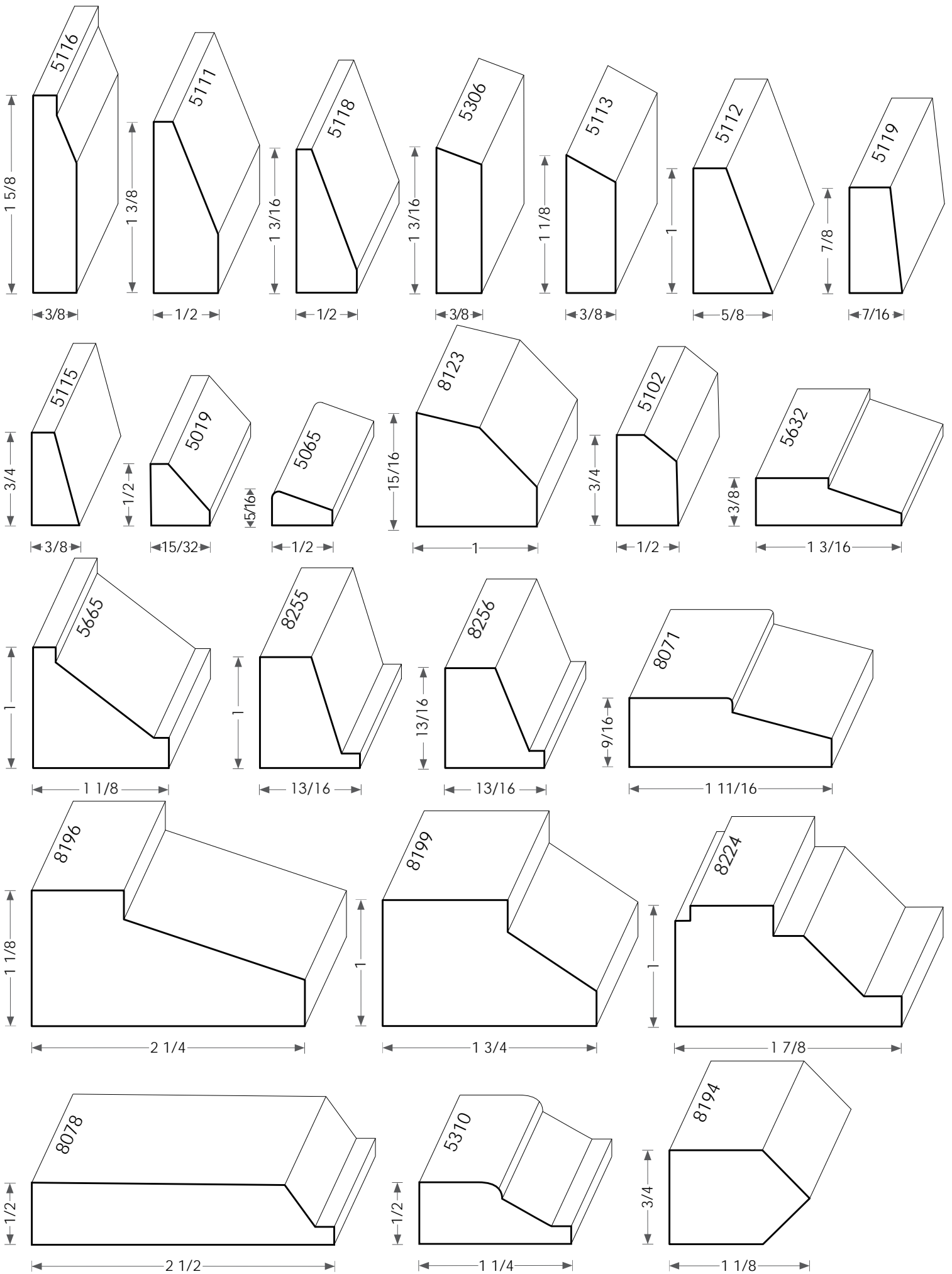
OUTSIDE CORNER



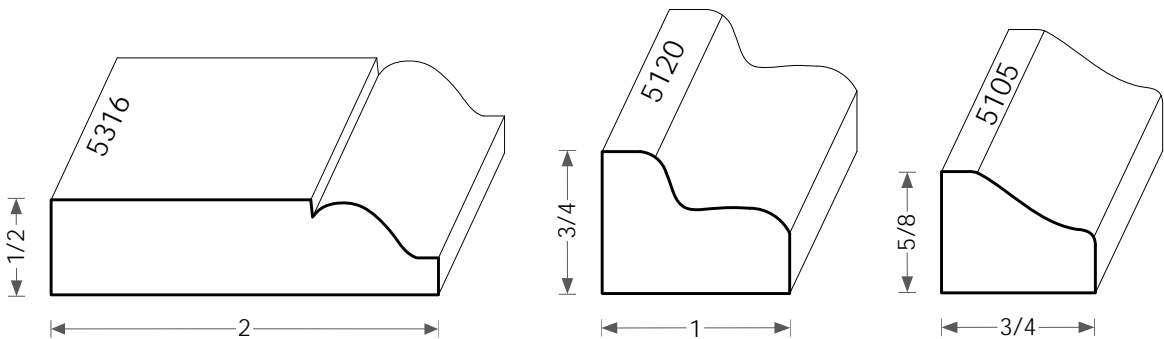
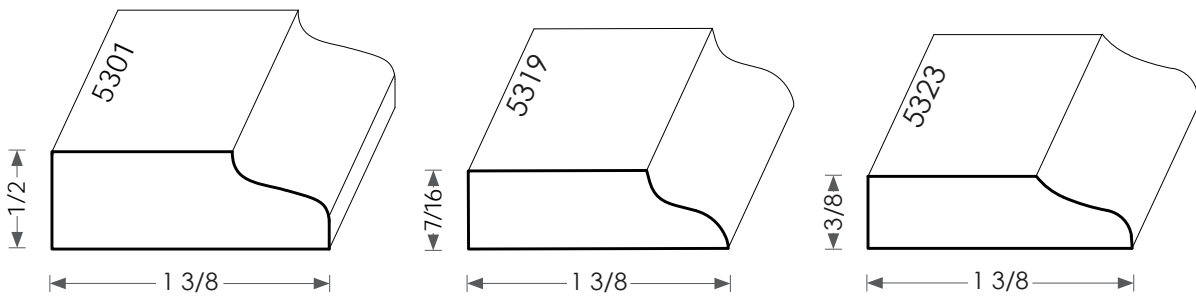
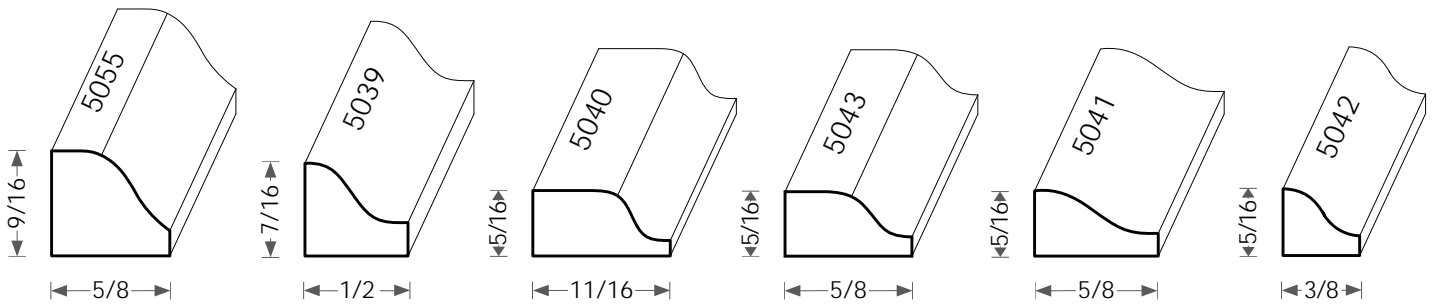
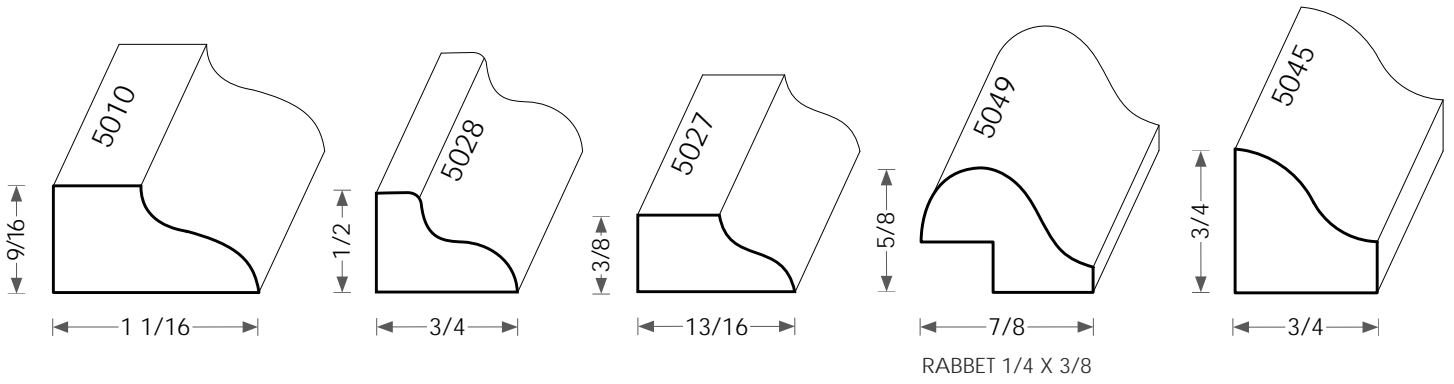
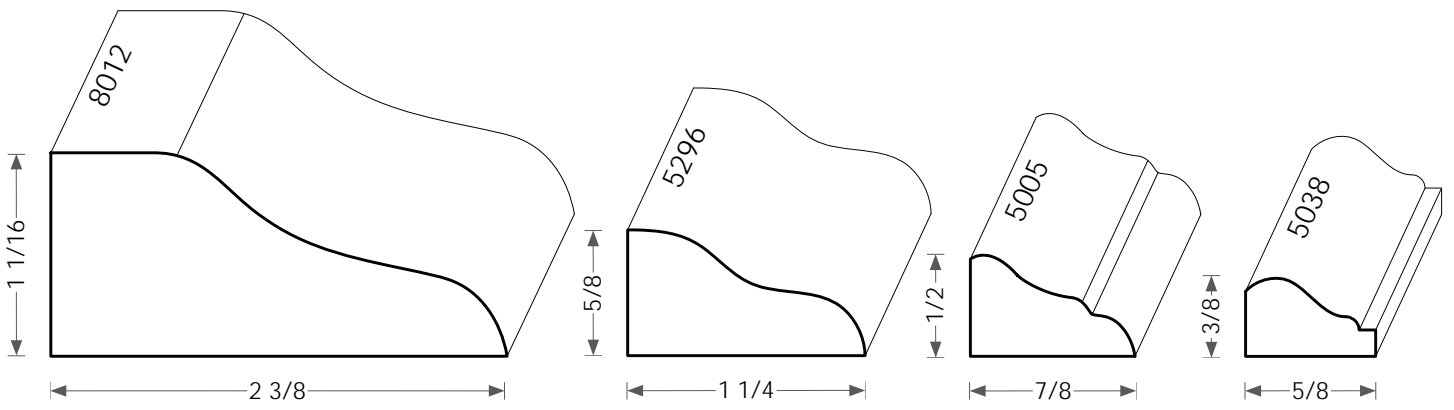


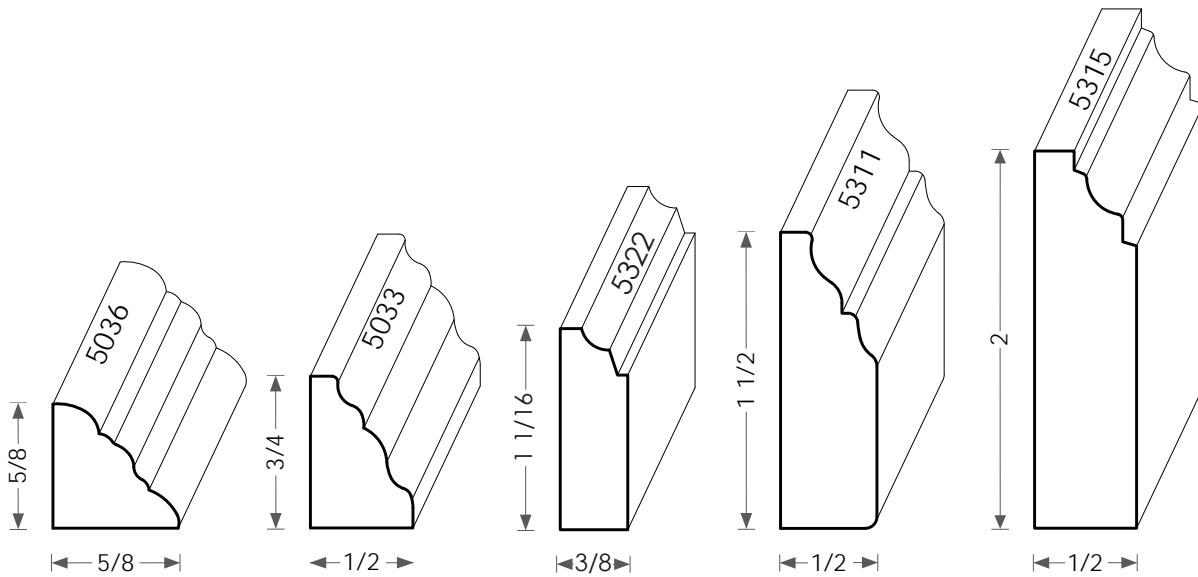
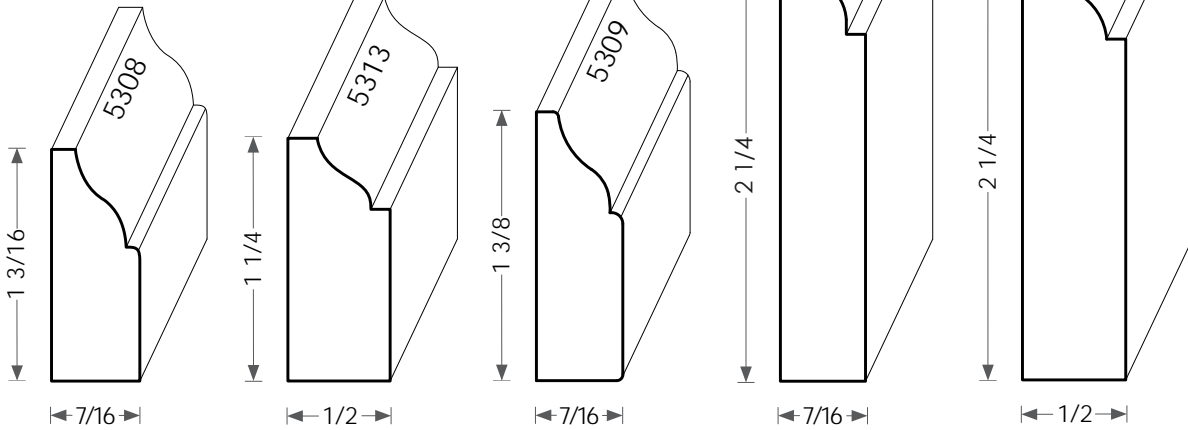
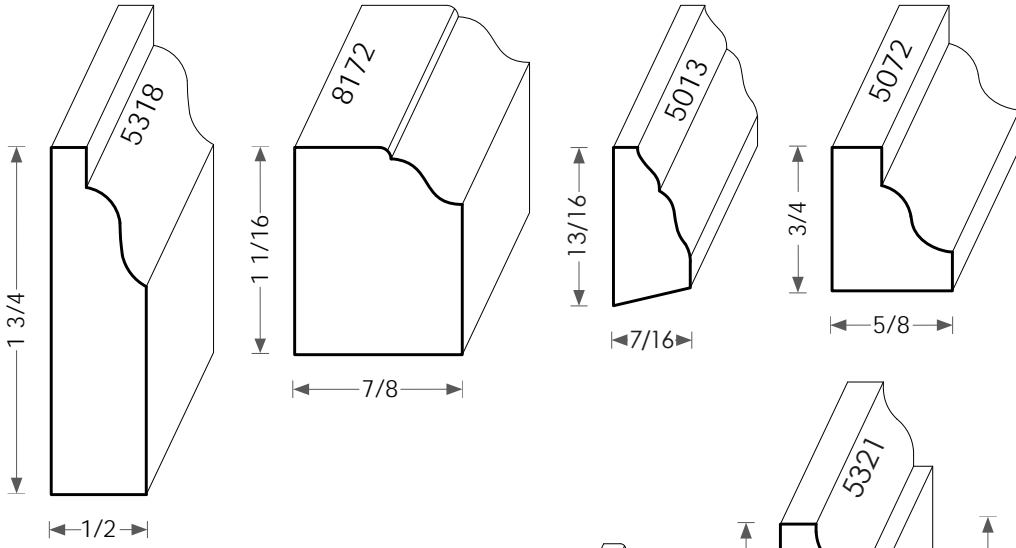
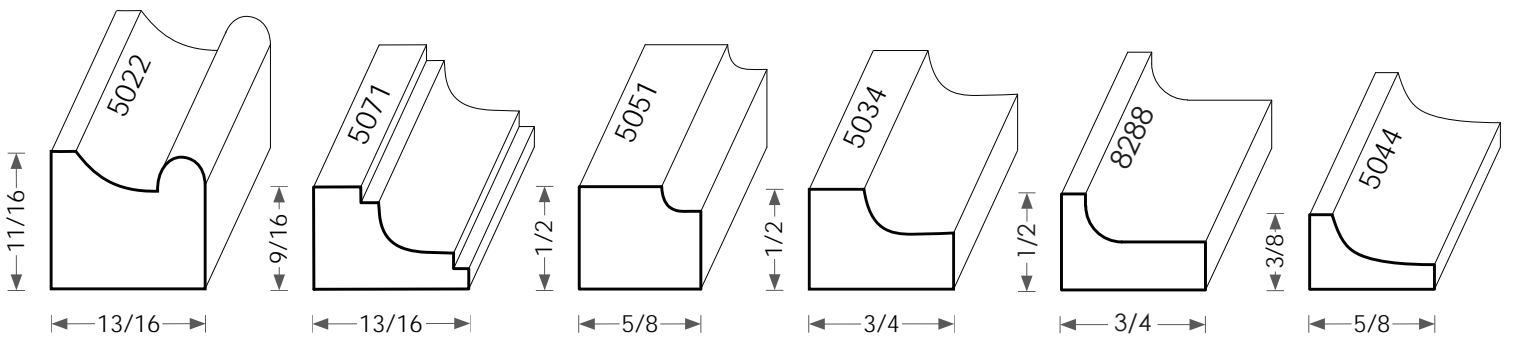
SMALL MOULDINGS



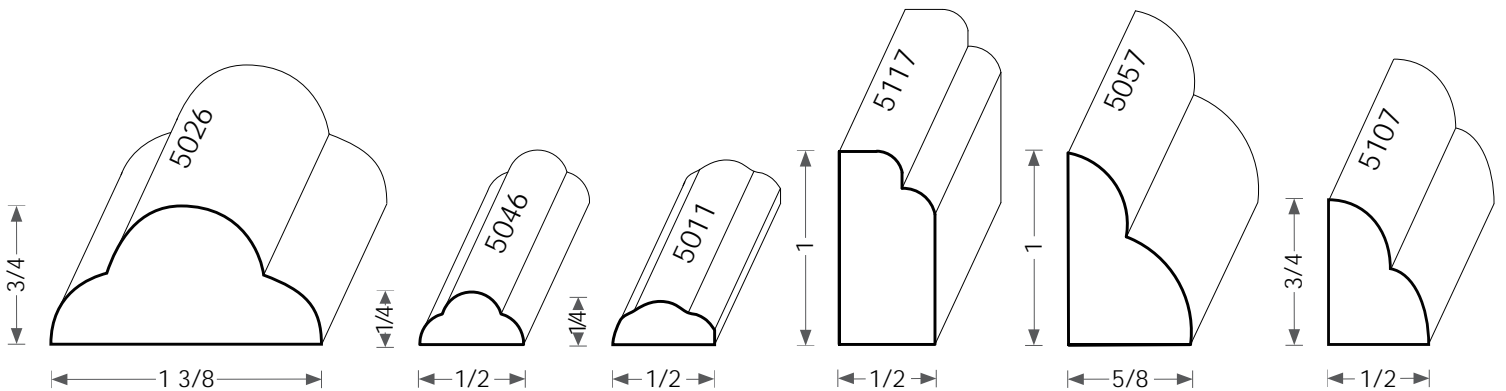
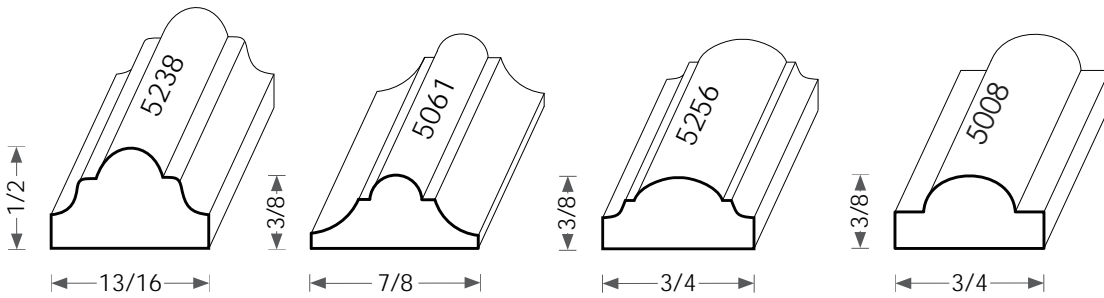
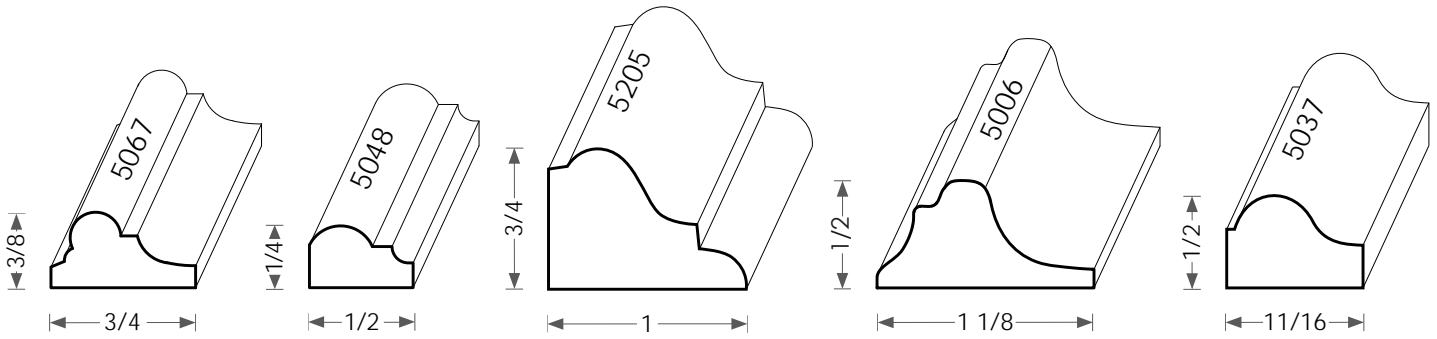
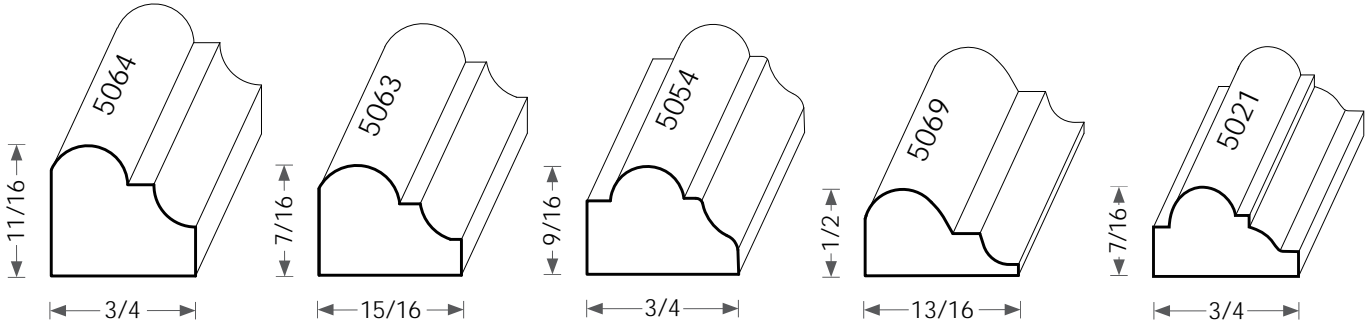
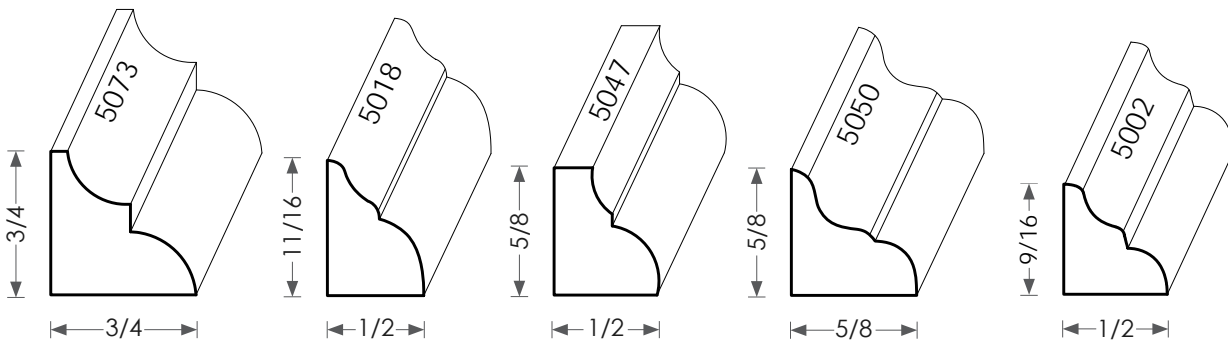


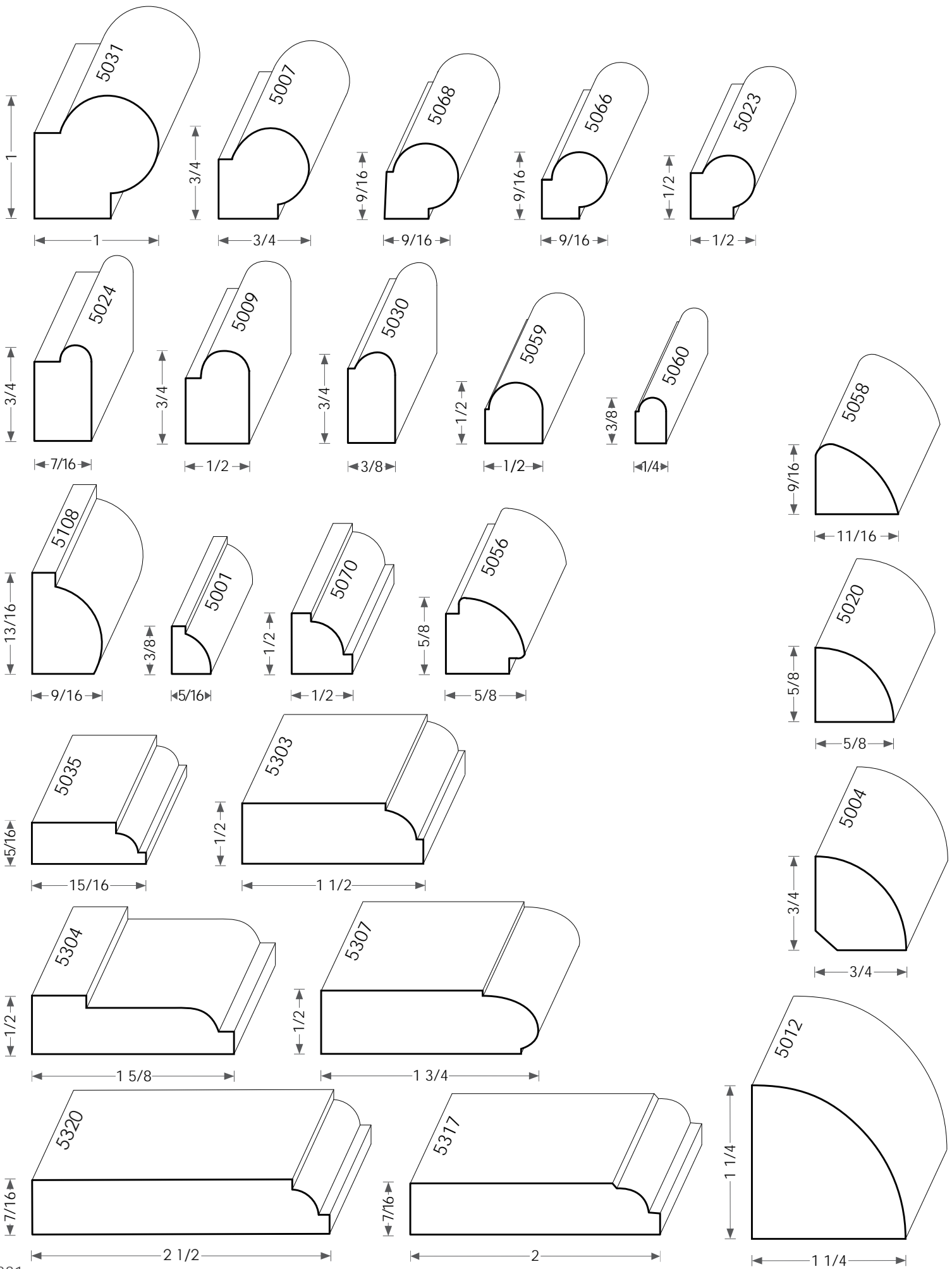
SMALL MOULDINGS

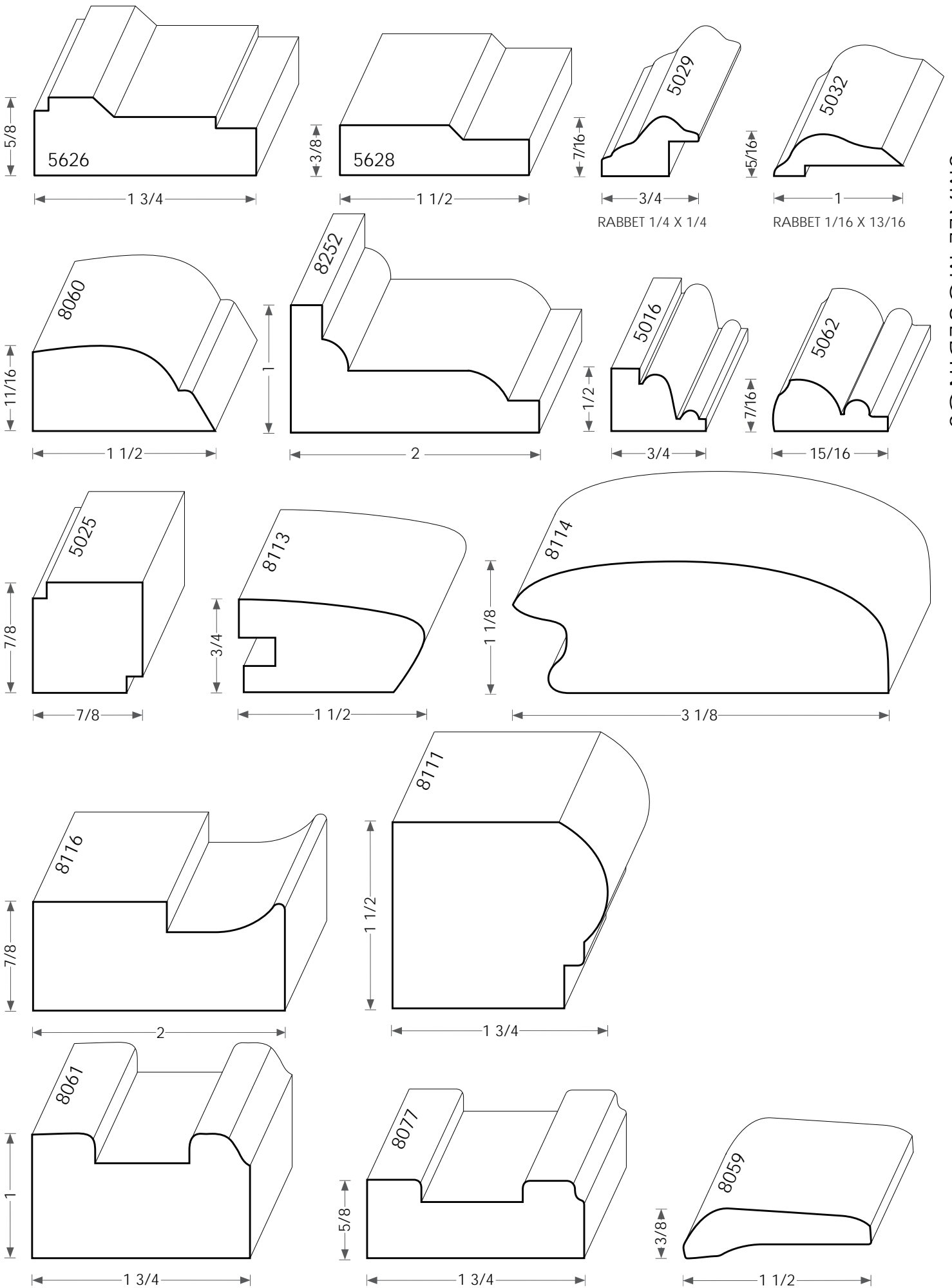




SMALL MOULDINGS

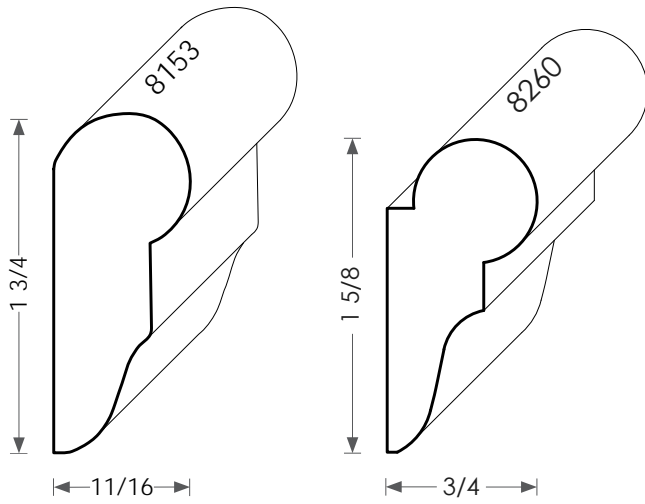
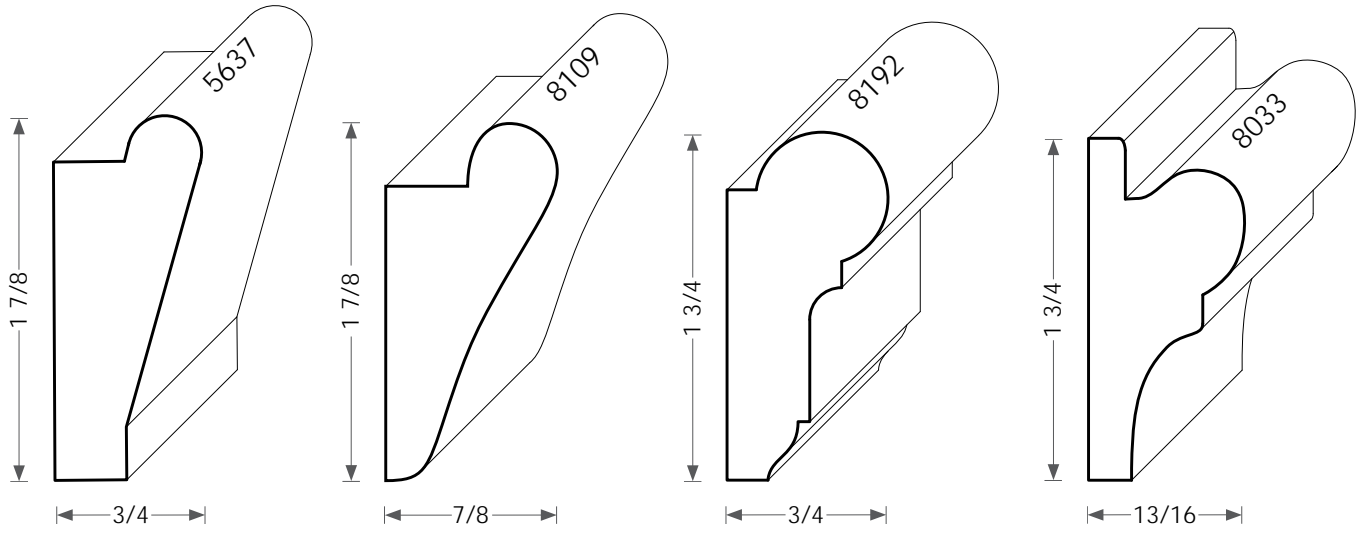




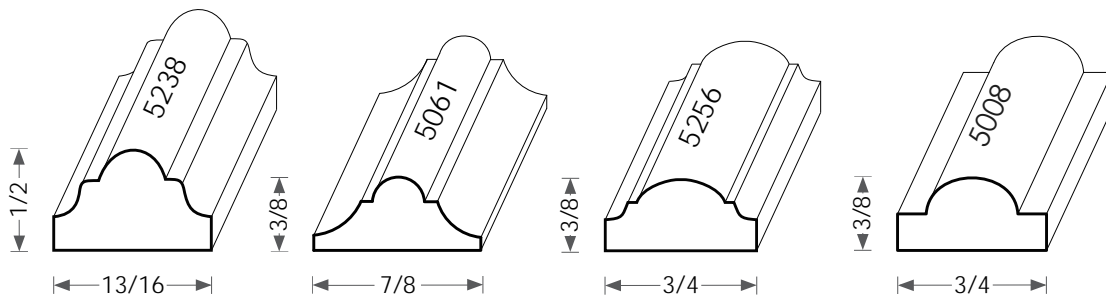
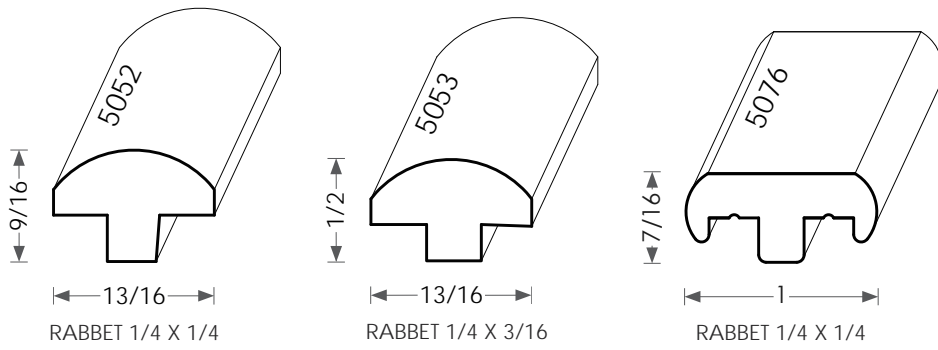


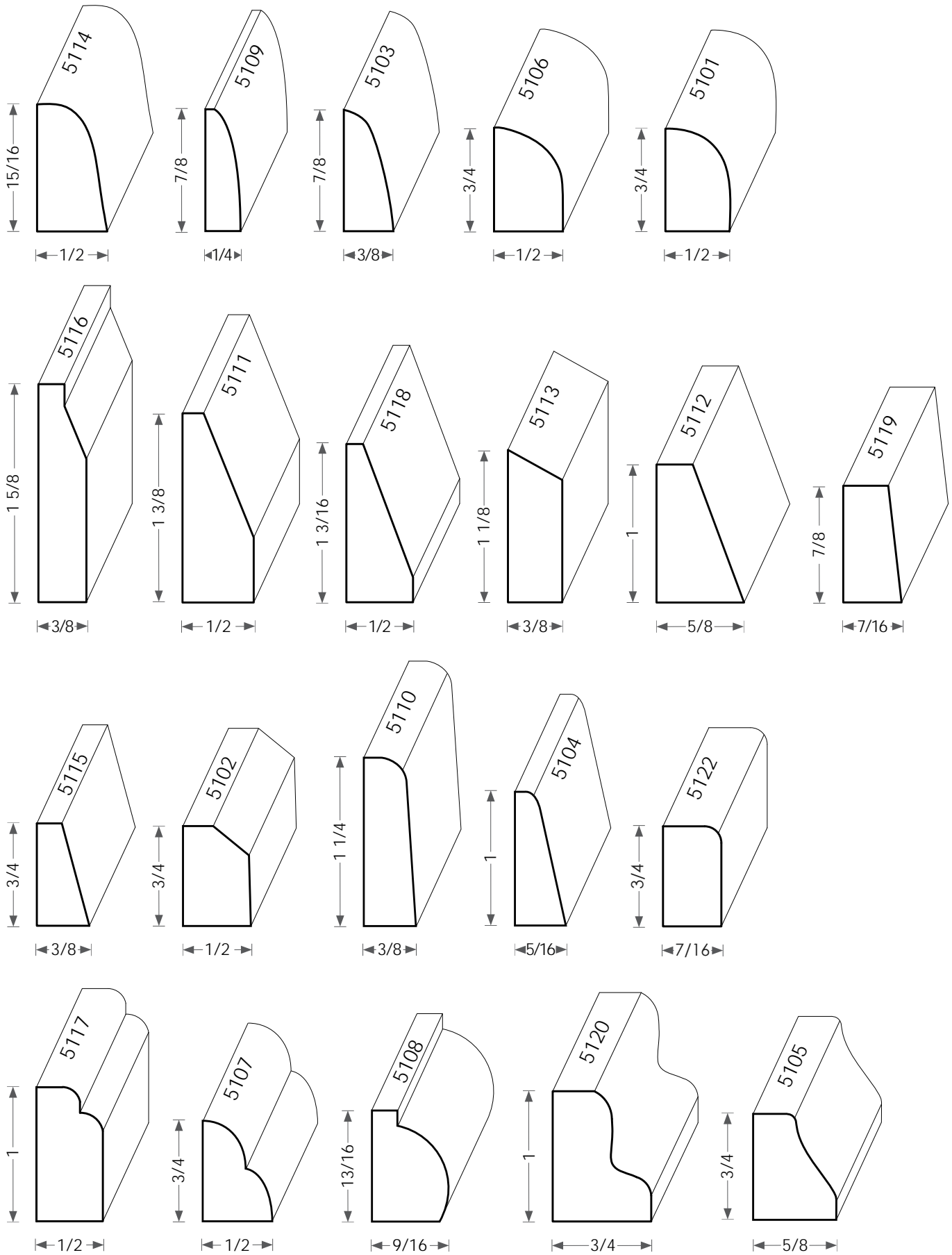
SMALL MOULDINGS

PICTURE RAIL



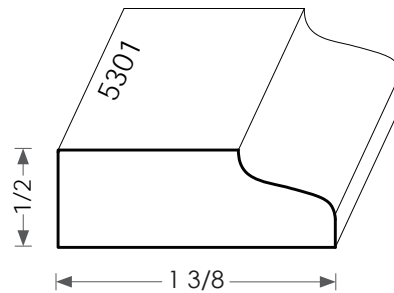
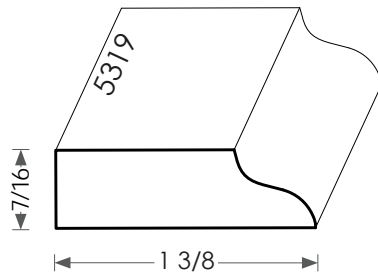
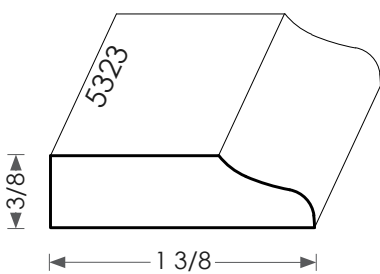
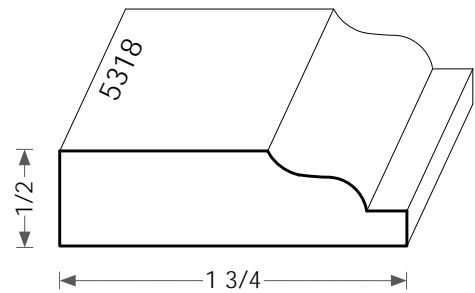
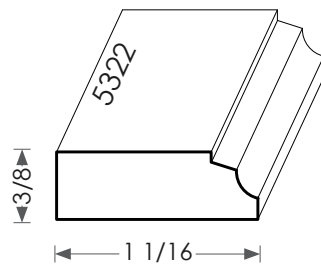
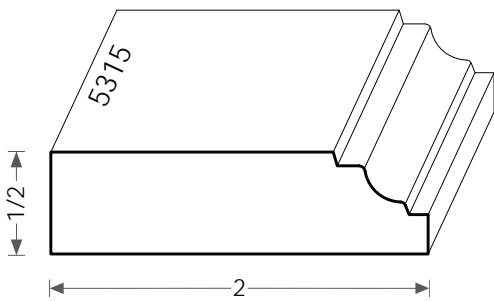
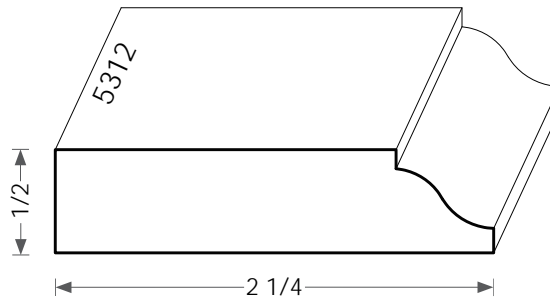
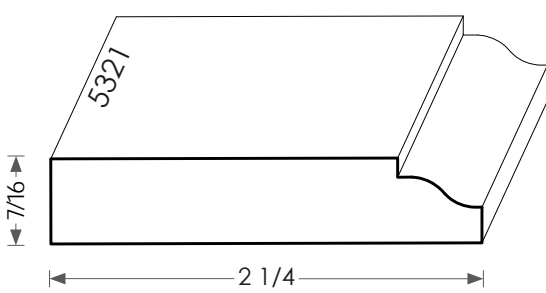
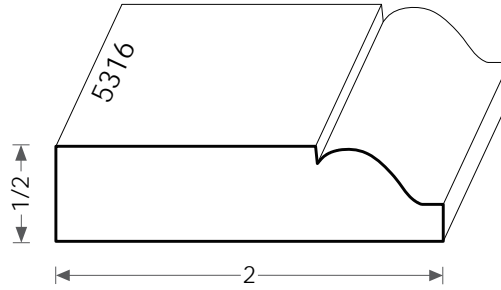
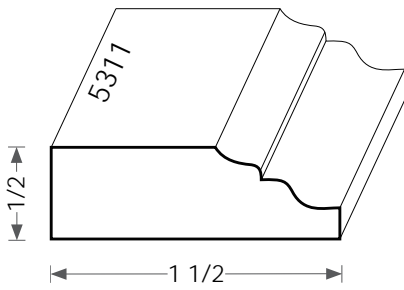
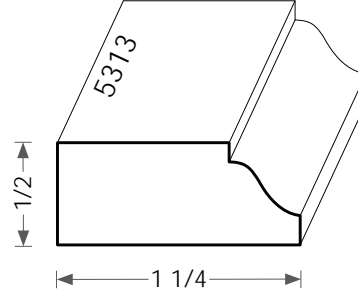
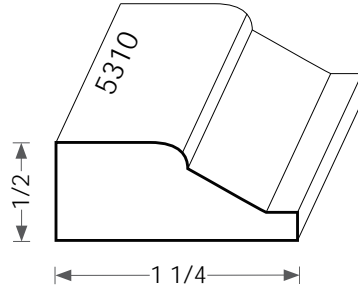
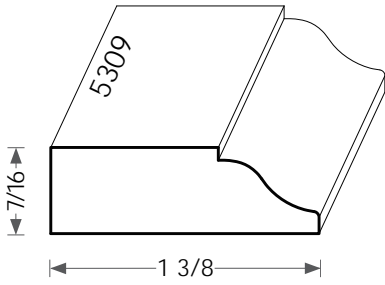
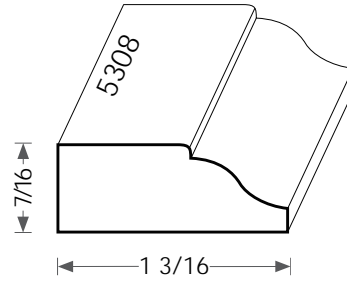
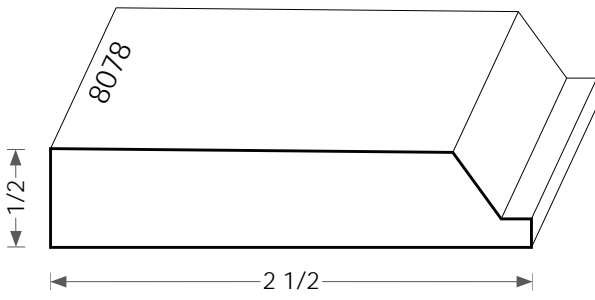
SHELF EDGE



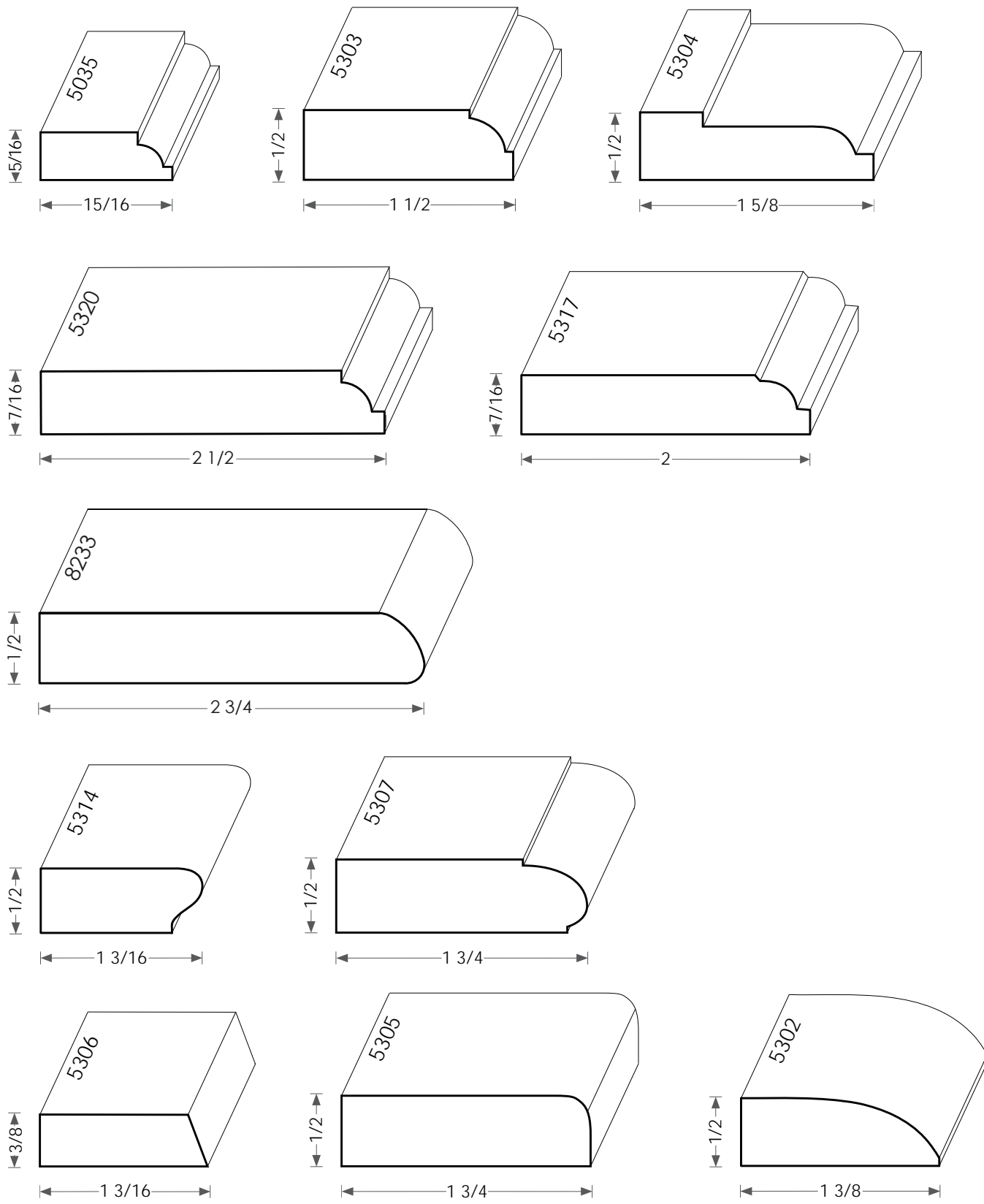


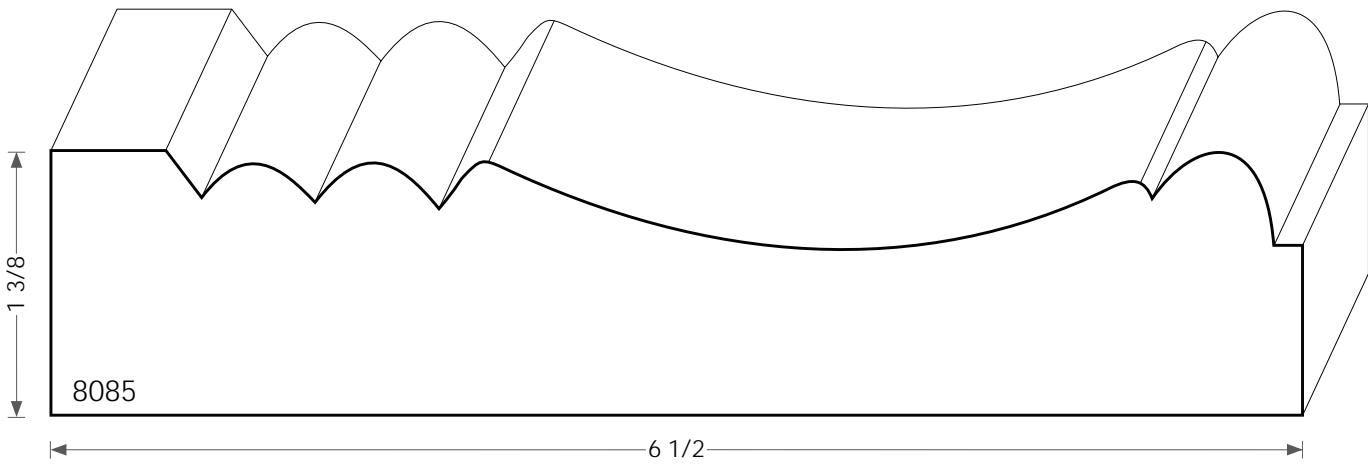
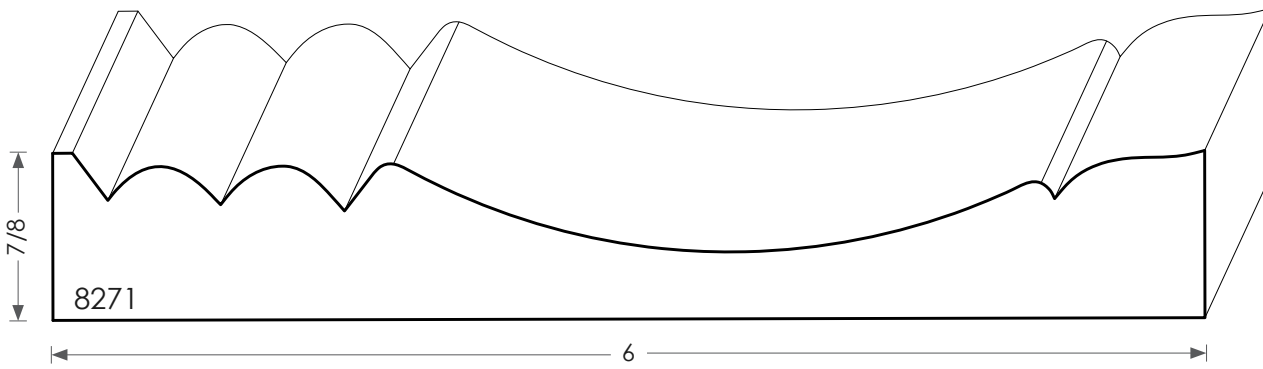
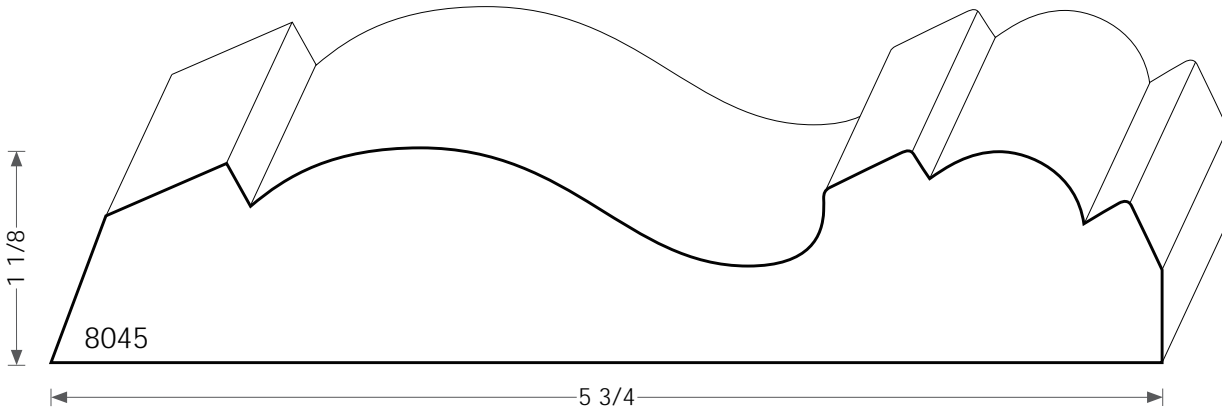
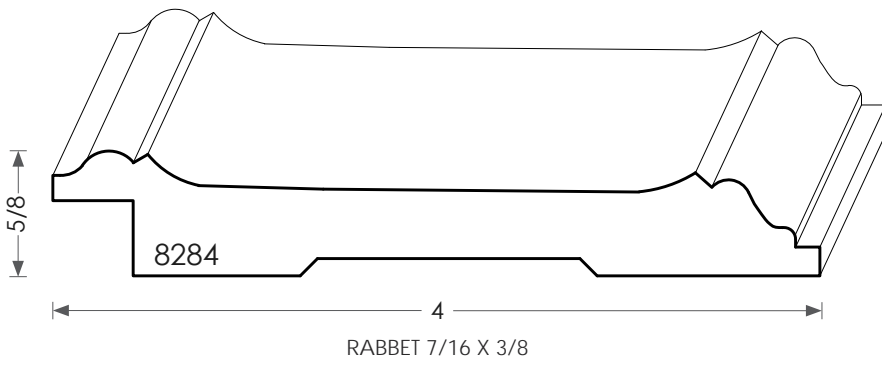
SHOE



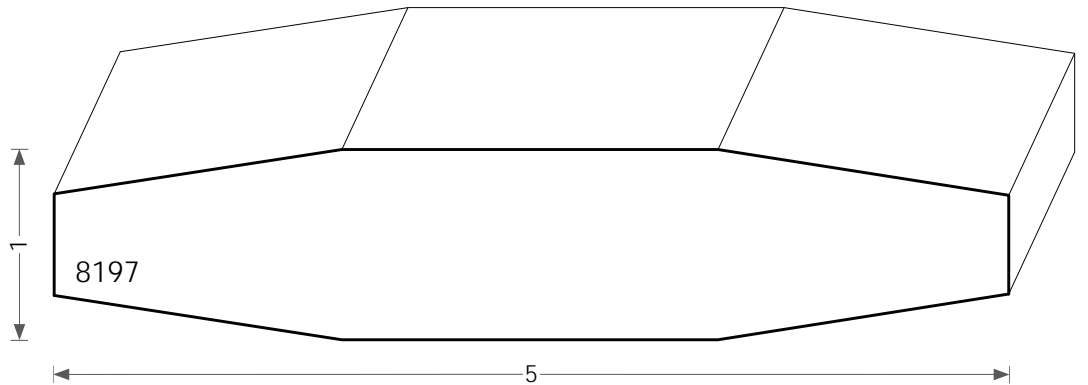
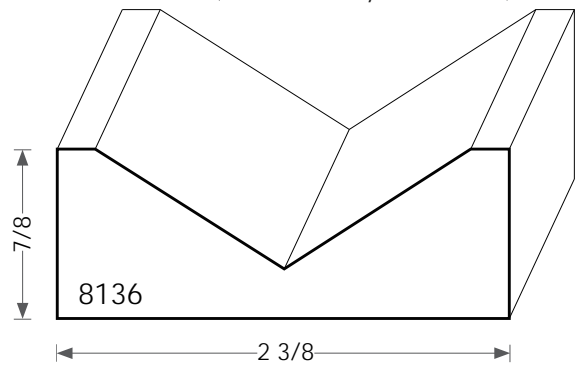
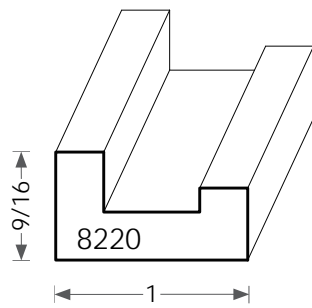
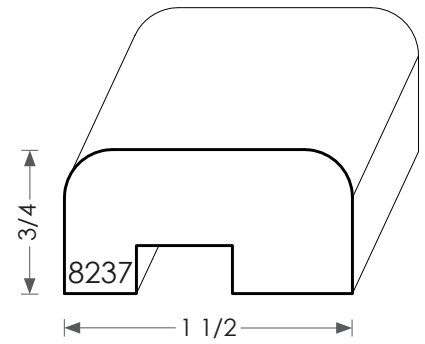
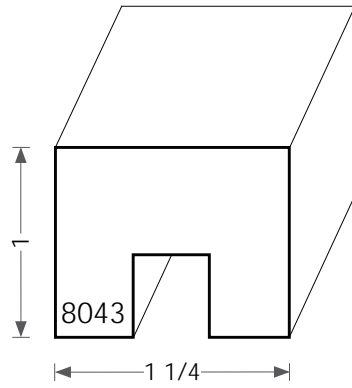
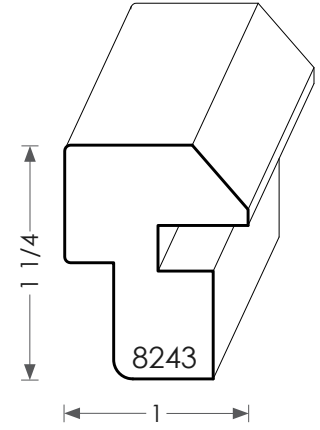
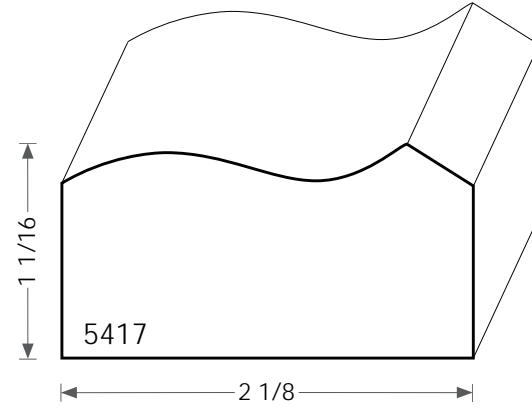
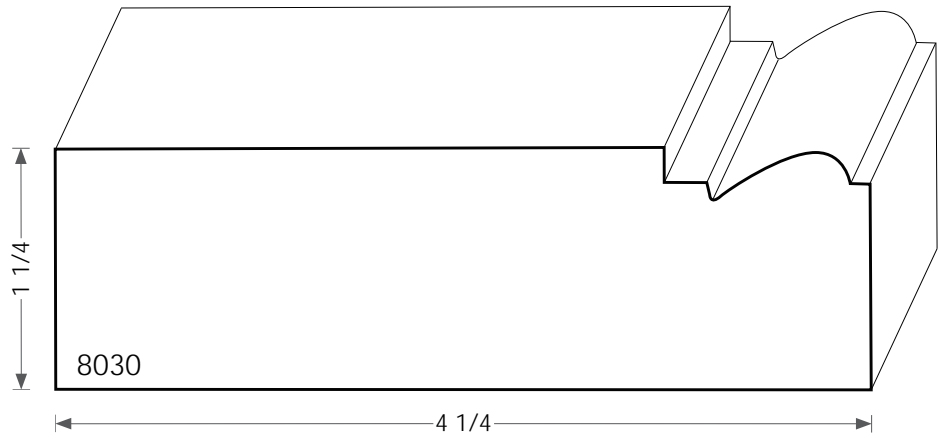
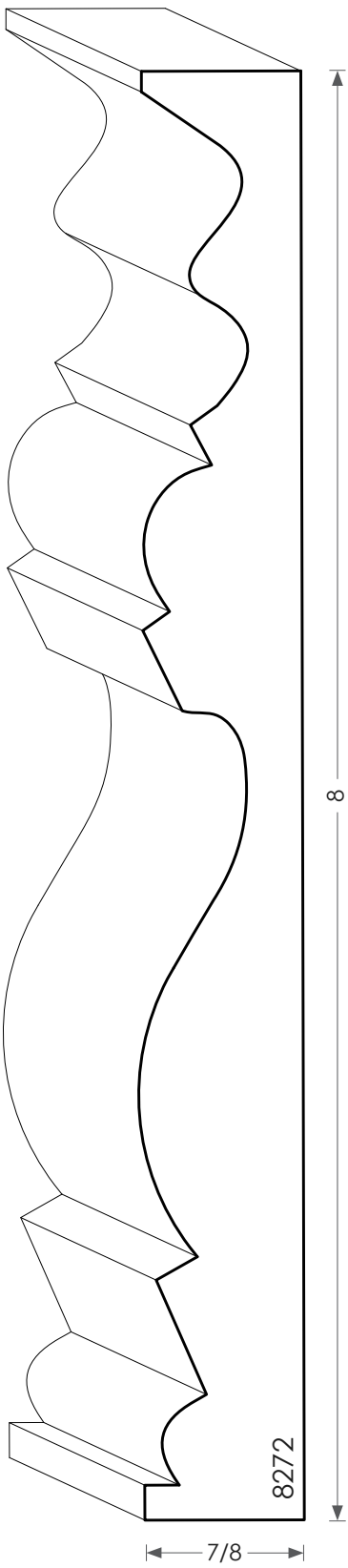


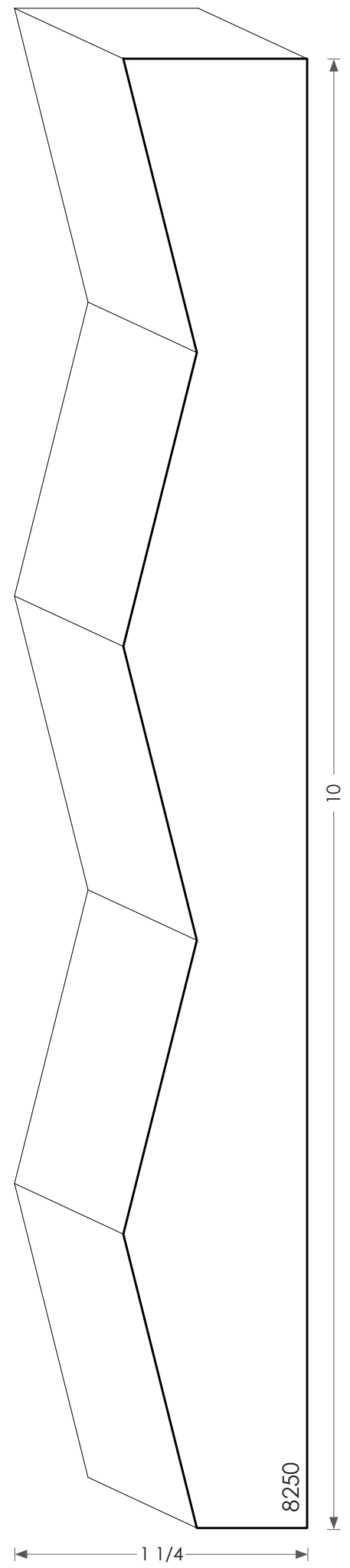
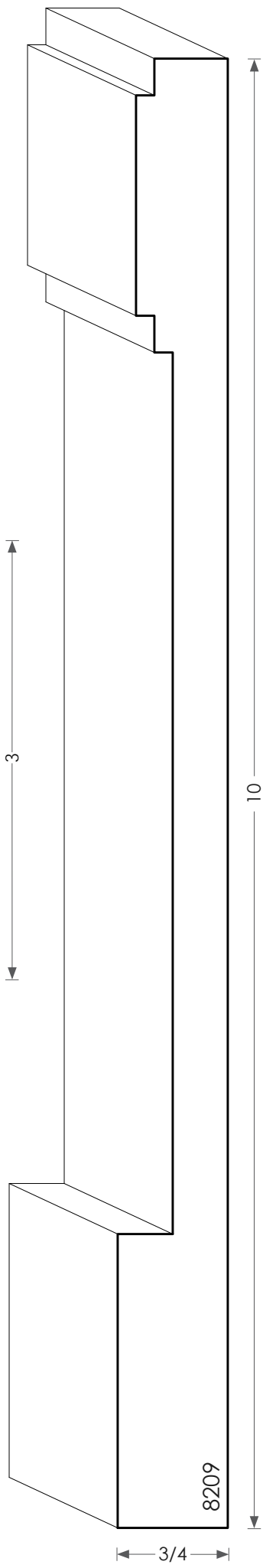
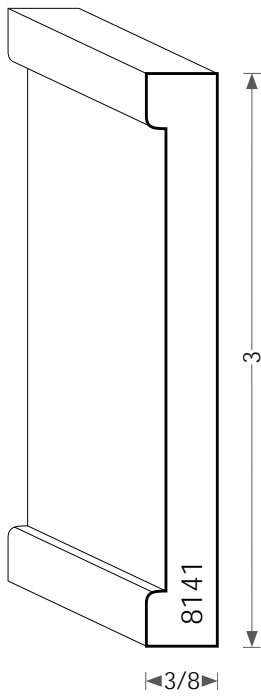
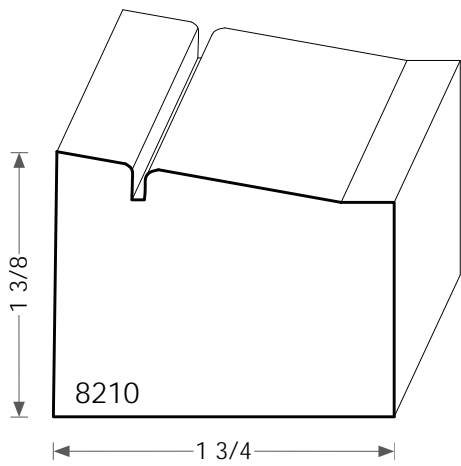
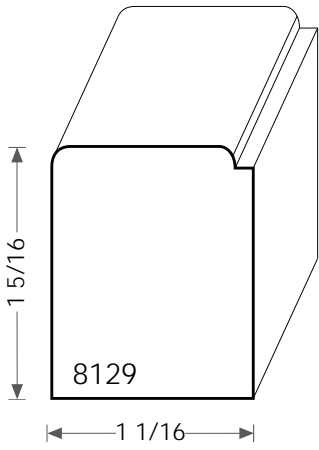
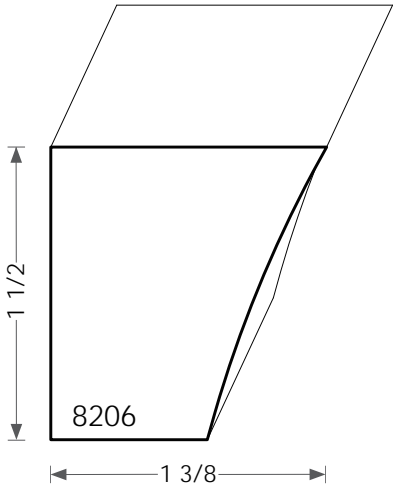
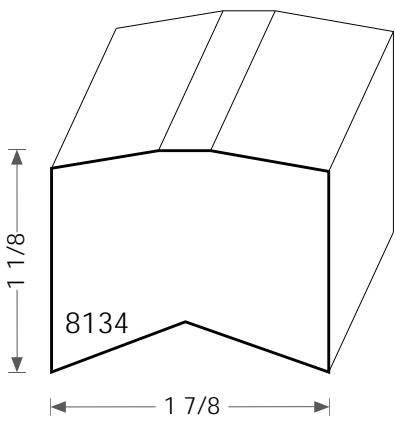
DOOR STOP

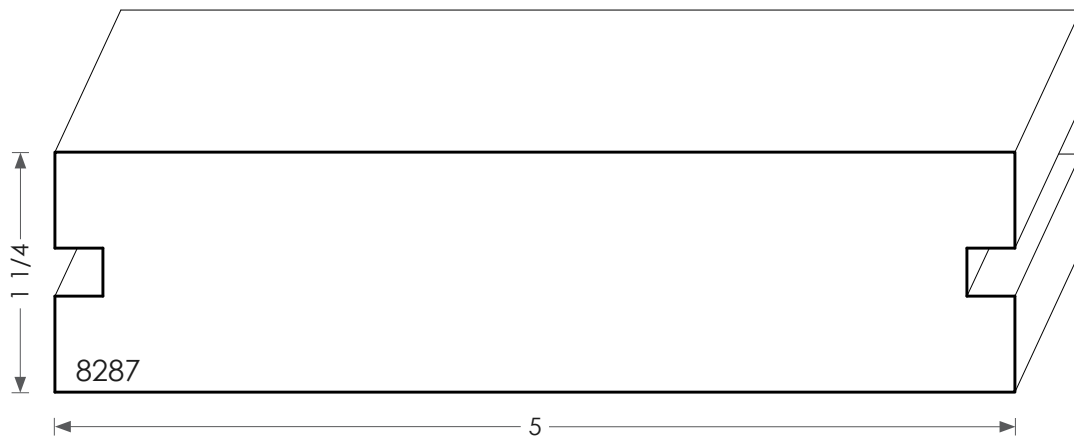
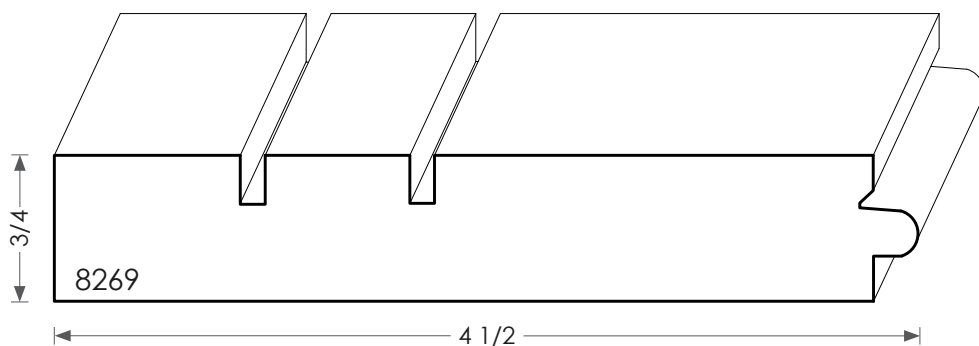
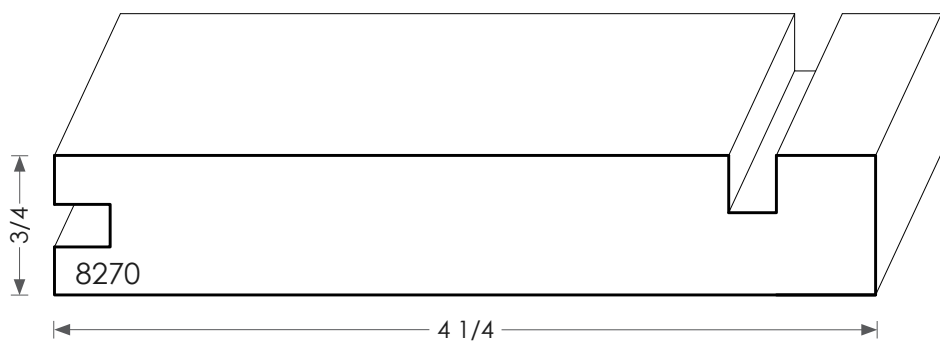
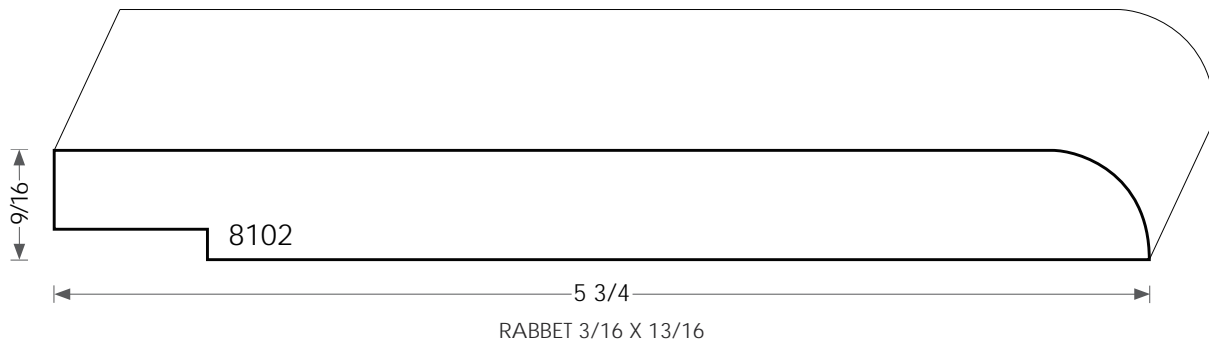
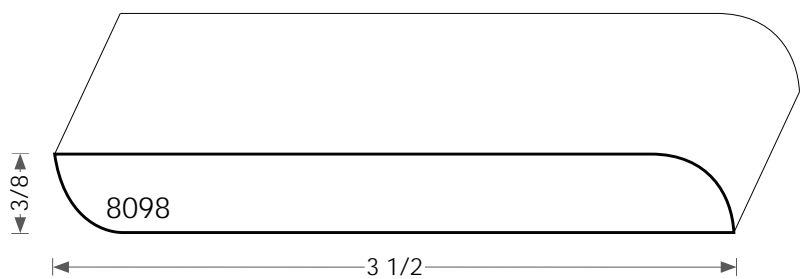


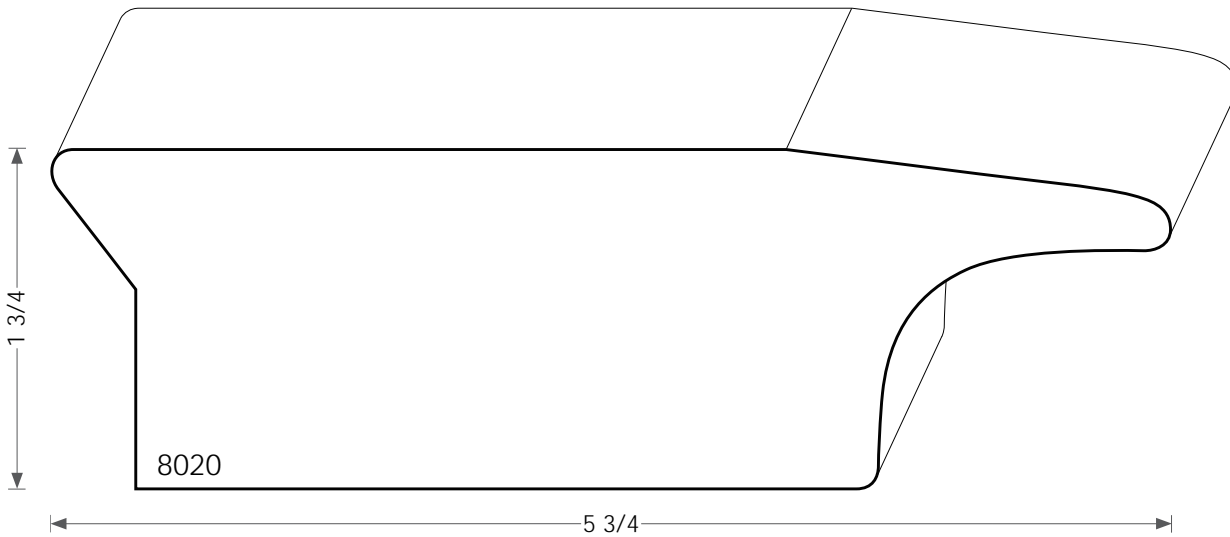
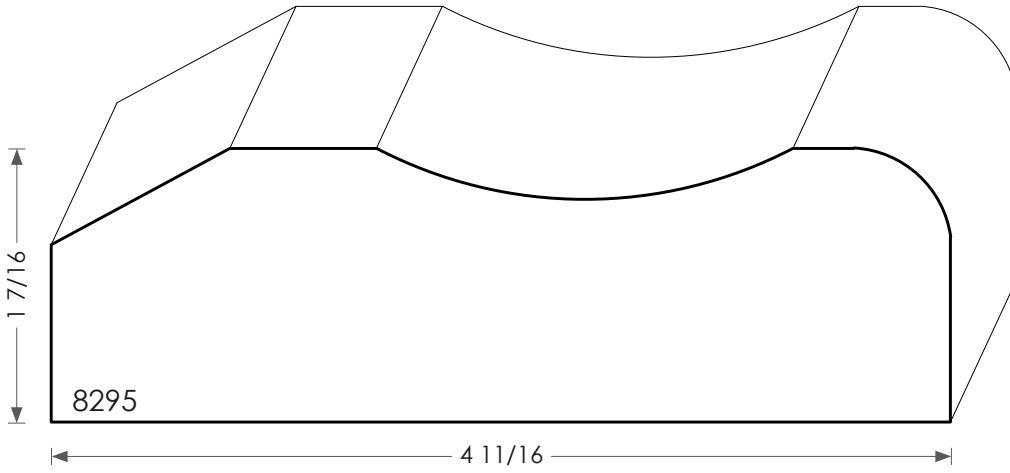
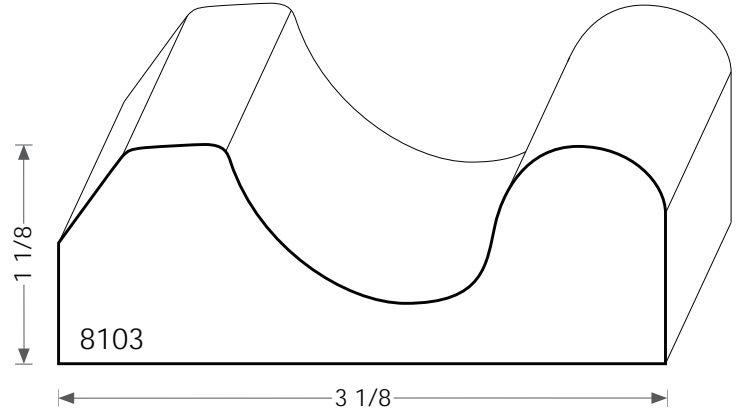
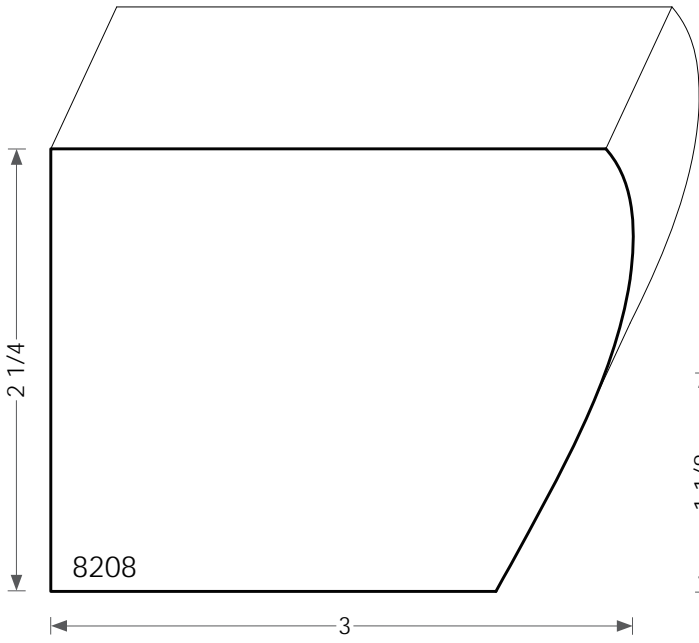


MISCELLANEOUS

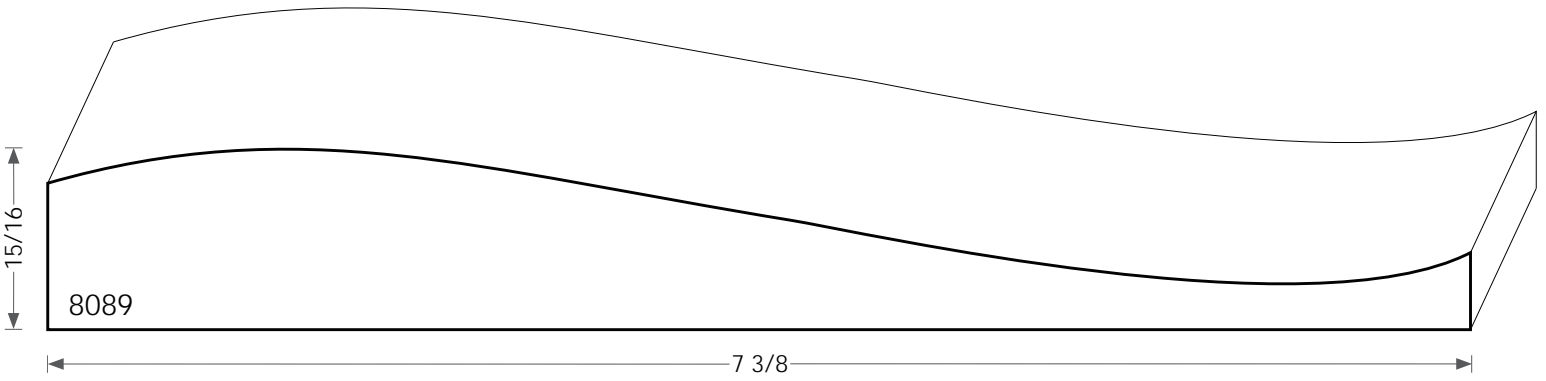
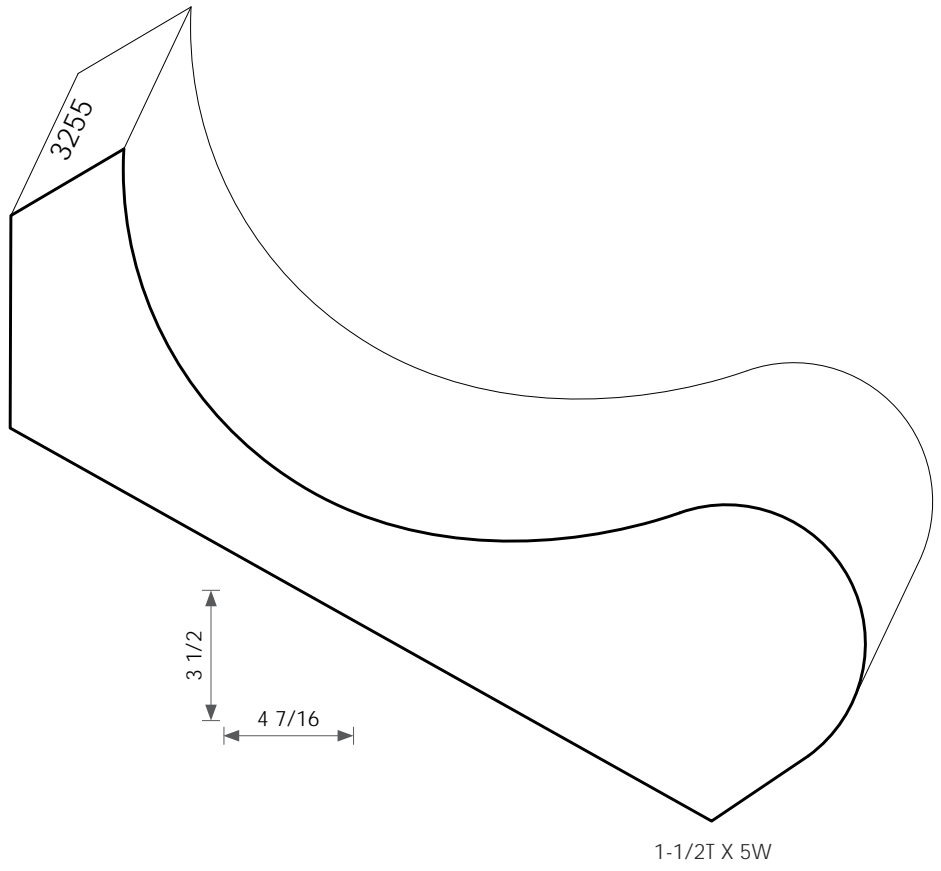
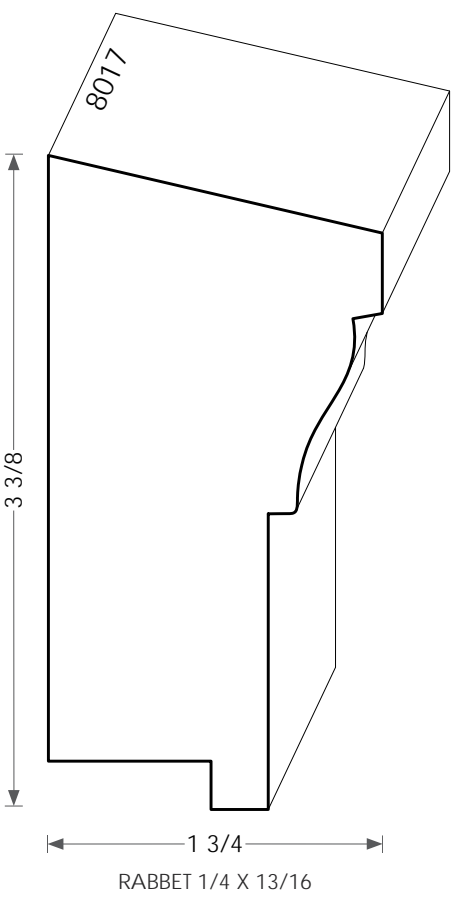








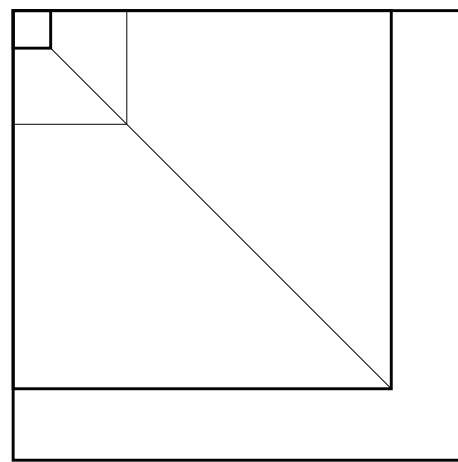
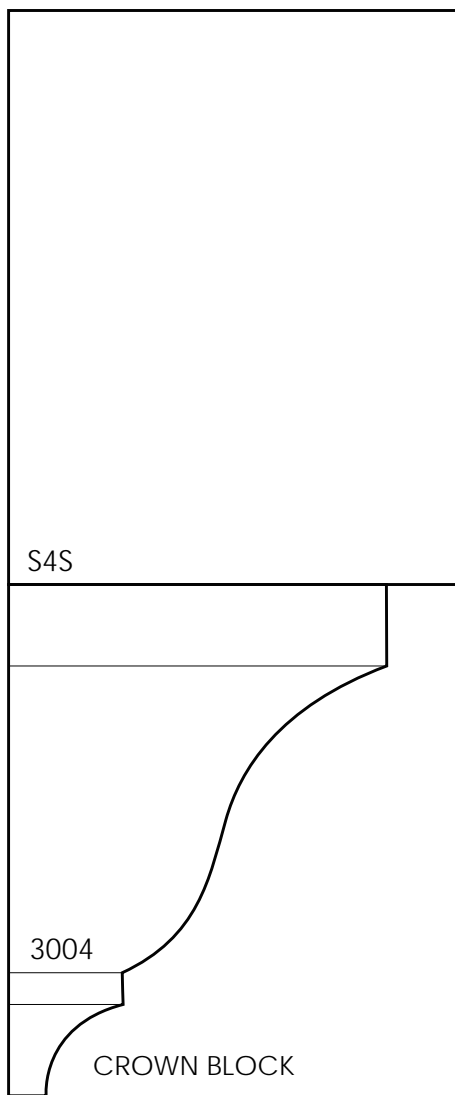
MISCELLANEOUS





## CROWN & BASE BLOCKS

Base and crown corner blocks are available in any size to match your base and crown styles.

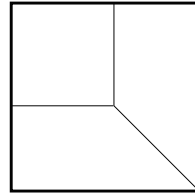


INSIDE-CORNER CROWN BLOCK  
[BOTTOM-VIEW]

MID-RUN AND OUTSIDE-CORNER  
CROWN BLOCKS ARE ALSO  
AVAILABLE.



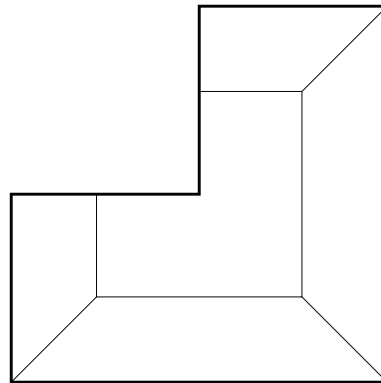
BASE BLOCK



INSIDE-CORNER  
BASE BLOCK  
[TOP-VIEW]



MID-RUN BASE BLOCK  
[TOP-VIEW]



OUTSIDE-CORNER  
BASE BLOCK  
[TOP-VIEW]



## ULTRALIGHT MDF

Ultralight Medium Density Fiberboard (MDF), composed of wood fibers from Radiata Pine combined with a synthetic resin and wax, is an ecologically sound product and an excellent substitute for solid wood mouldings.

## ULTRALIGHT MDF QUALITIES

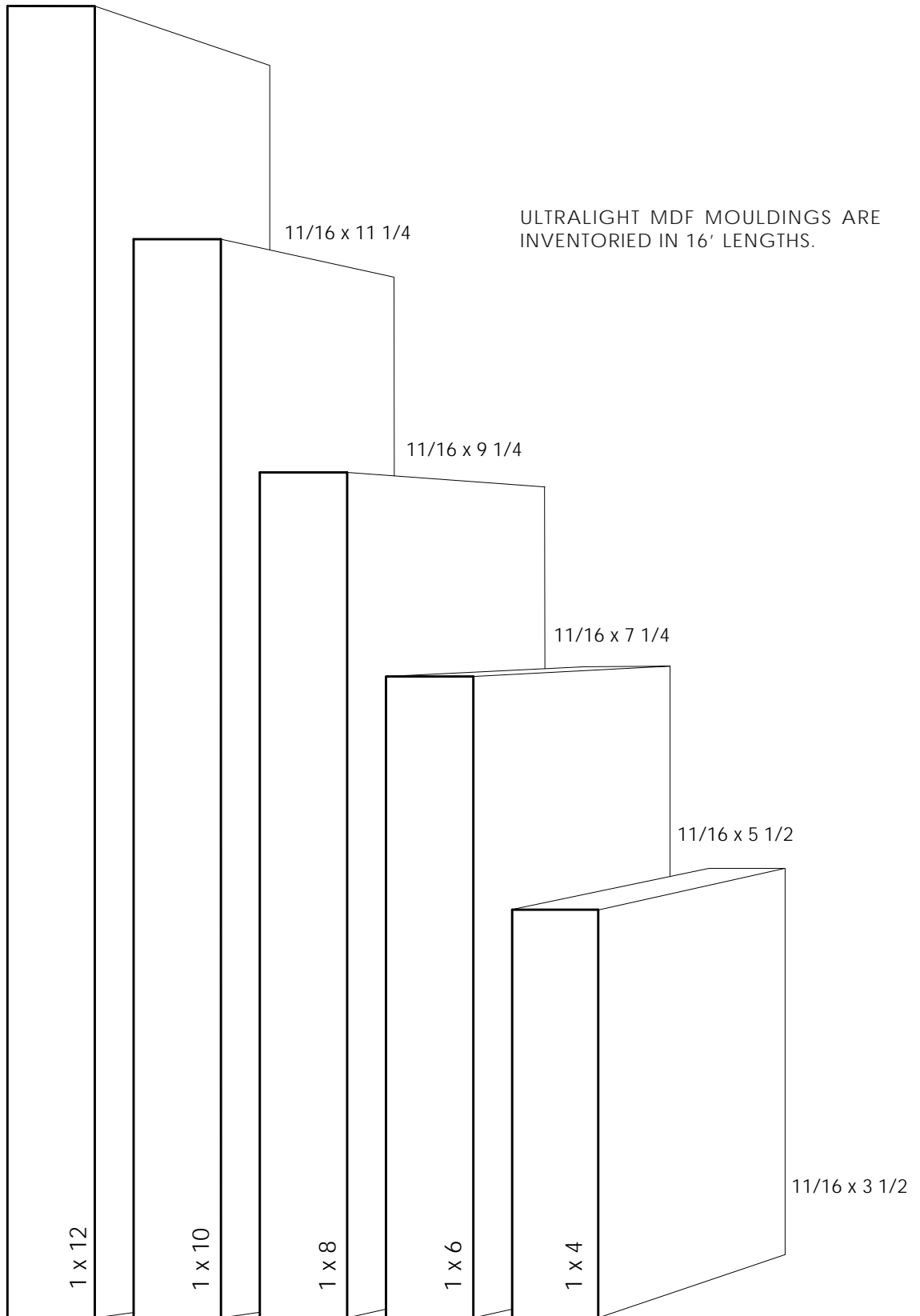
- will not warp, crack or split
- ultra primed surface that requires less prep work
- requires no sanding which allows for deeper profiles
- no finger joints to break or raise through the finish
- creates less waste due to convenient 14'-16' lengths
- no "volcano" effect when nailing

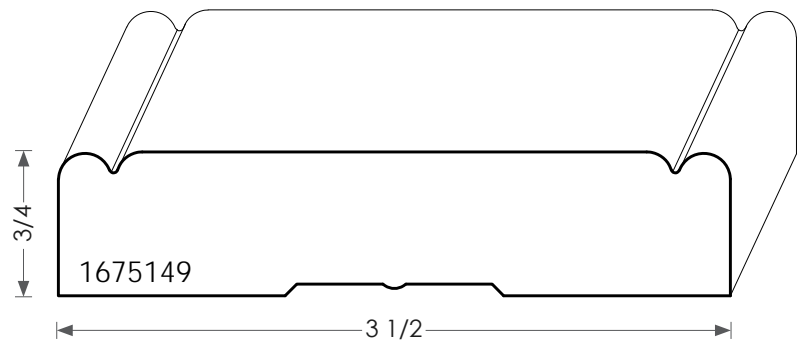
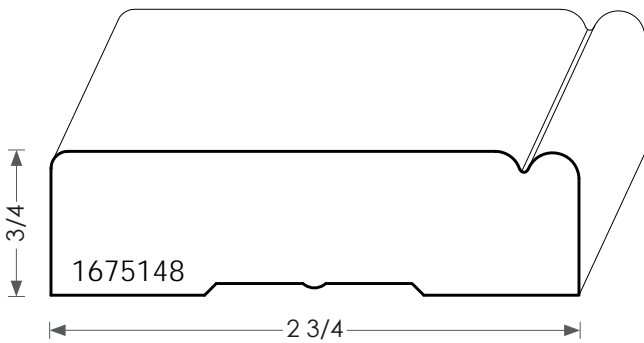
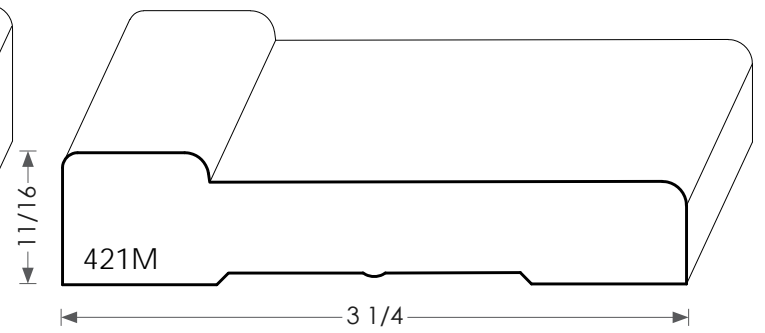
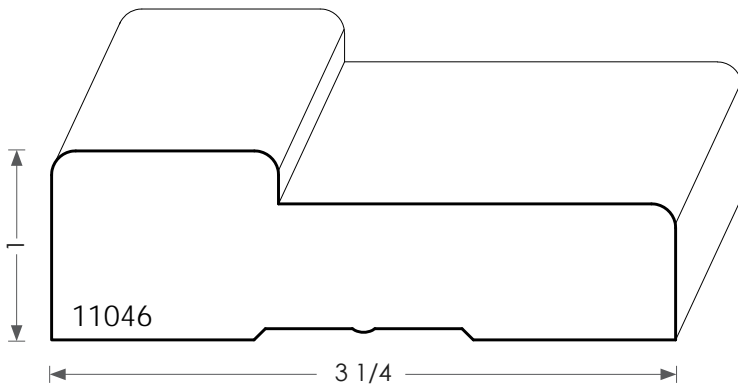
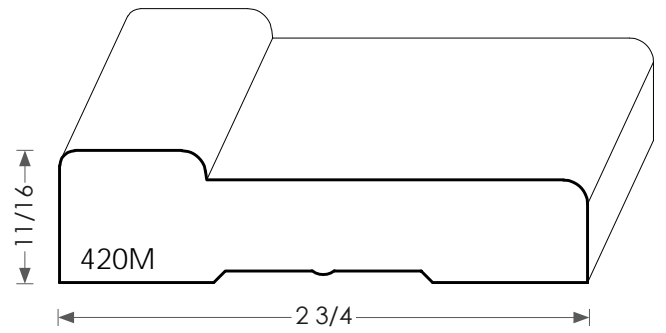
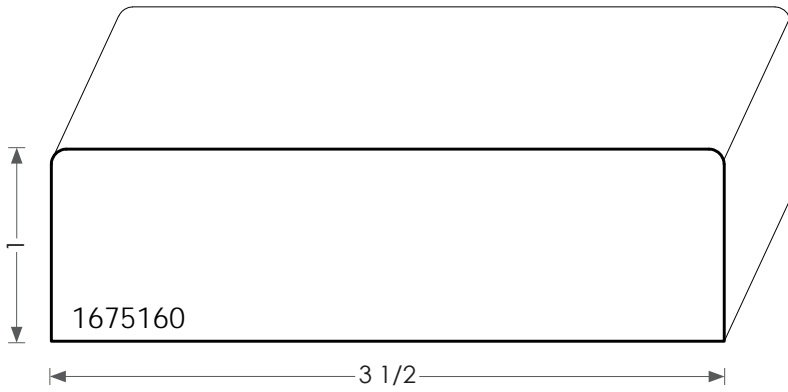
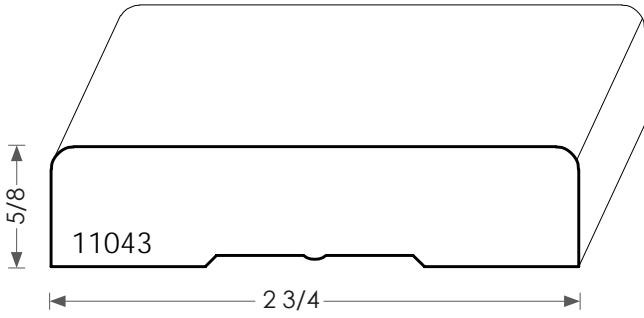
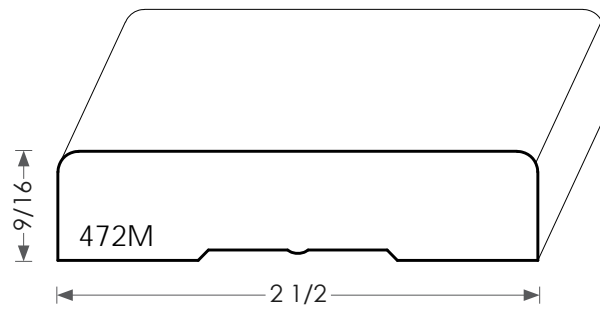
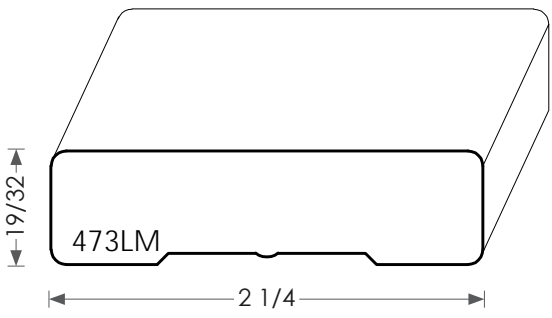
## HANDLING

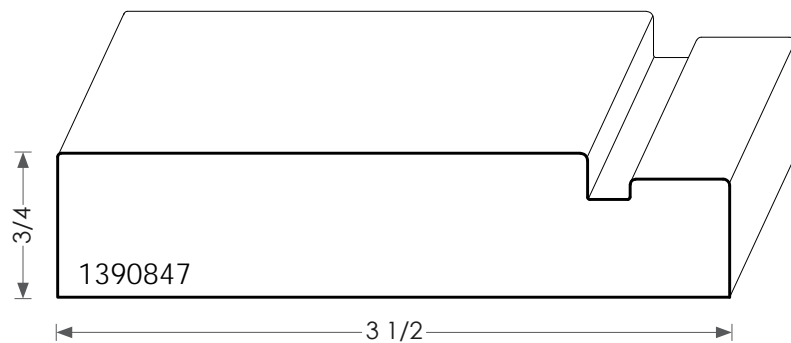
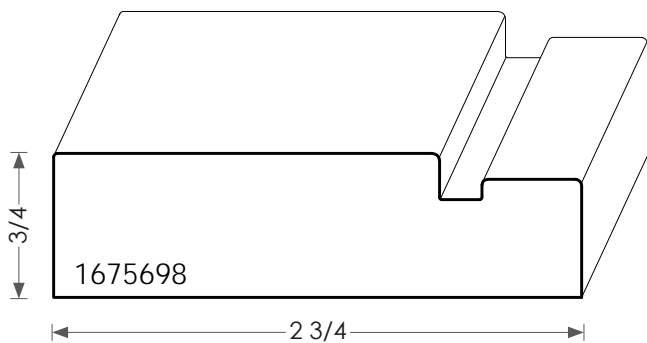
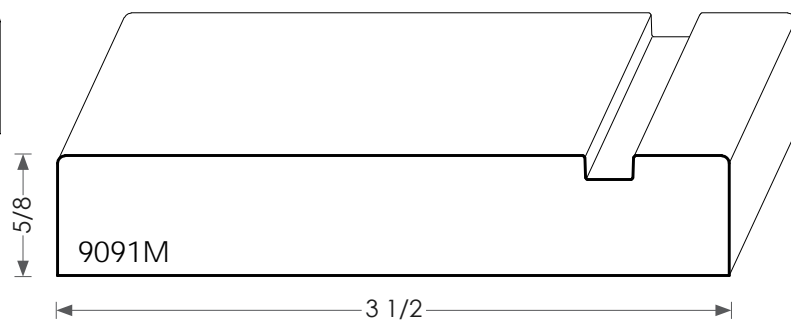
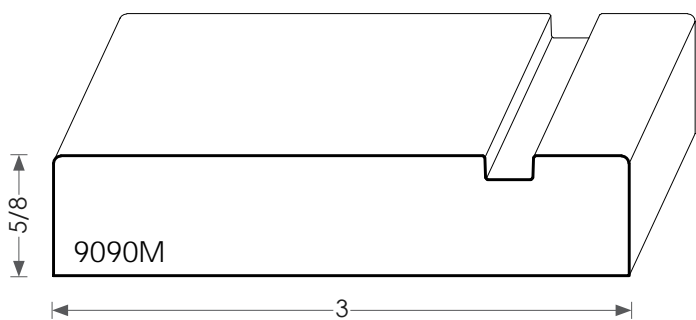
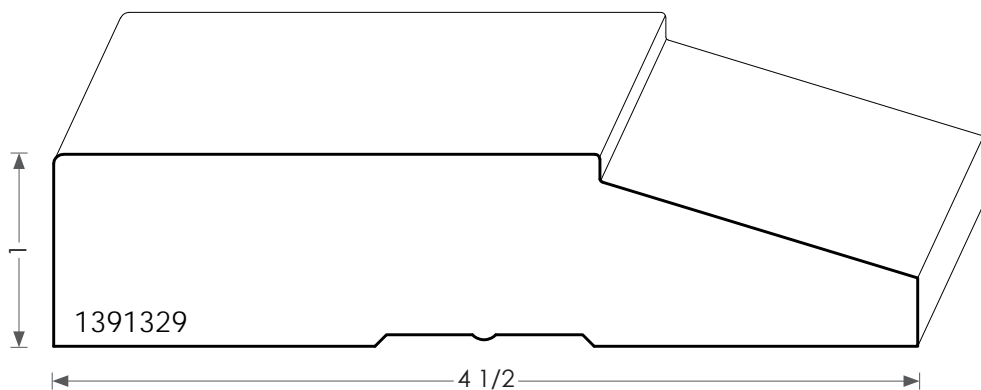
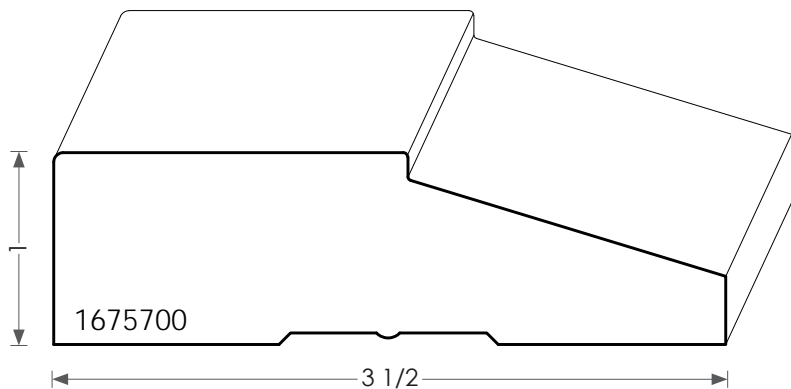
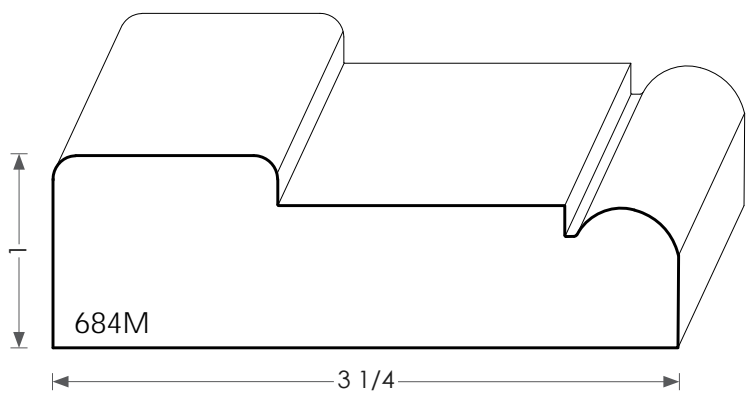
- always carry Ultralite MDF on edge as this will reduce stress caused by bending and flexing

## FINISHING

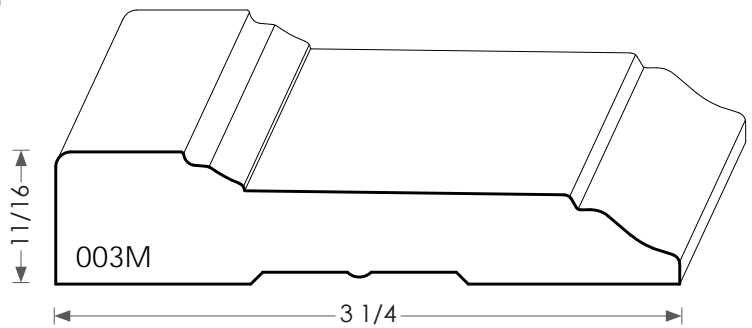
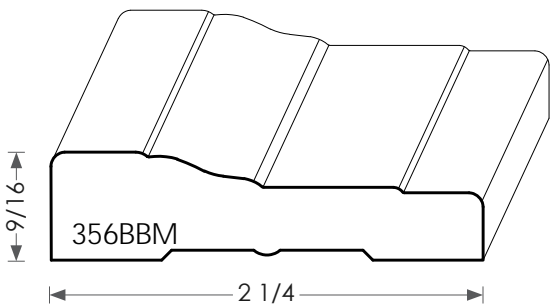
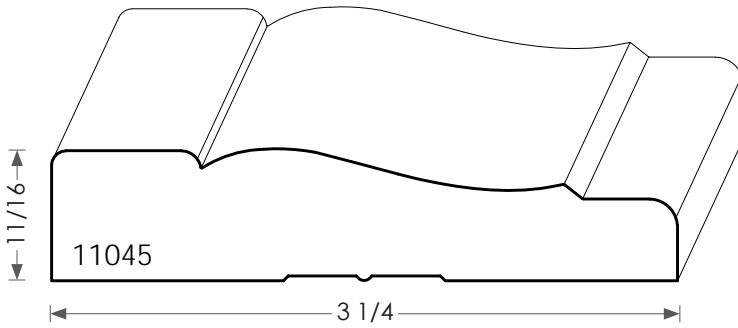
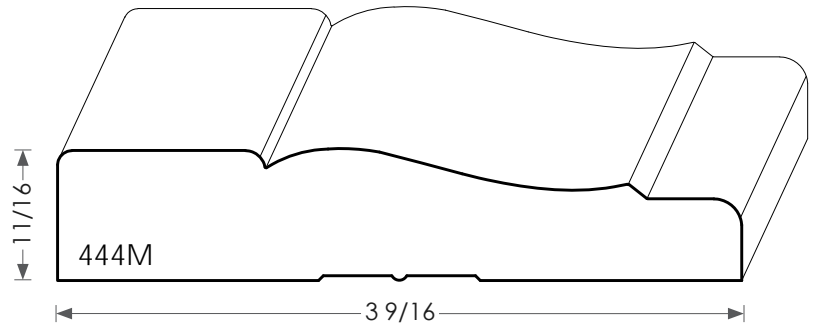
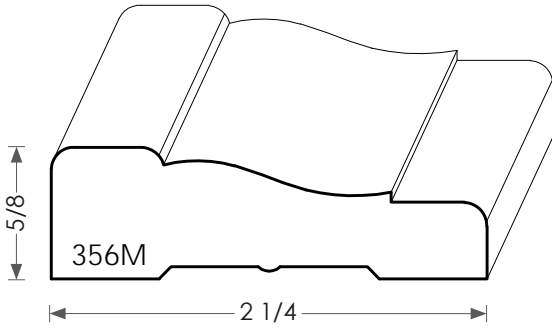
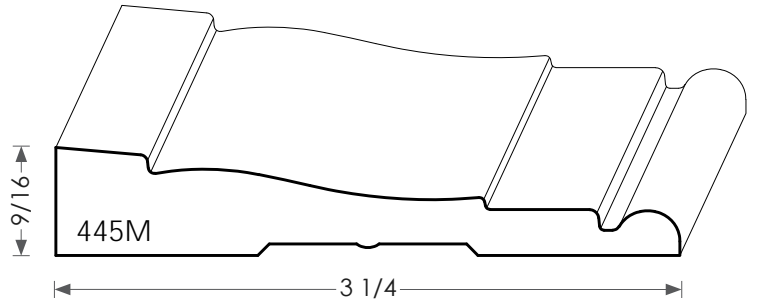
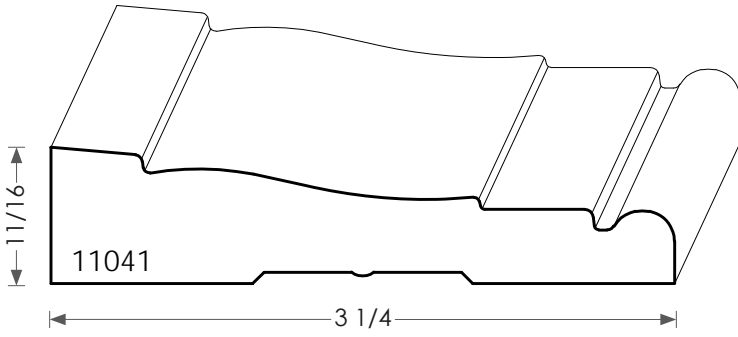
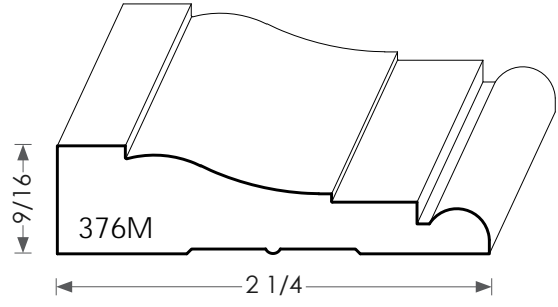
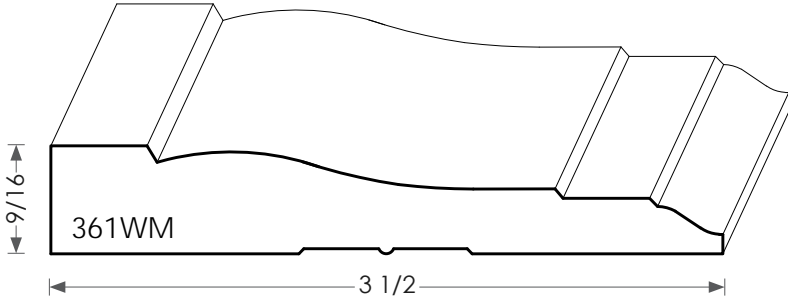
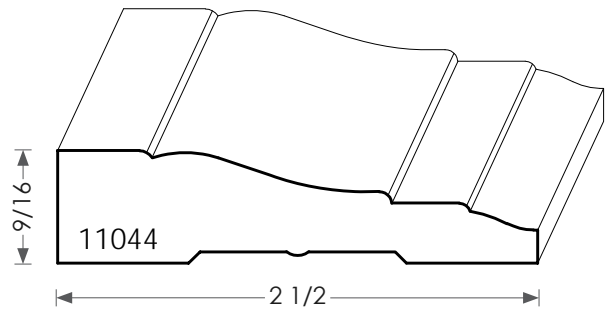
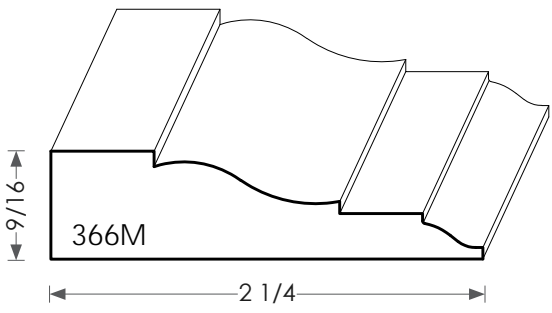
- putty should be solvent based (spot prime area if using latex paints)
- use a slow dry acrylic latex caulk
- can apply a bead of caulk along the top edge of all base profiles, joints between lengths of mouldings, and all seams between crown mouldings (roof and wall)
- paint should be oil-based enamel gloss, semi-gloss acrylic latex gloss, or semi-gloss
- sand lightly between coats of paint for a superior finish

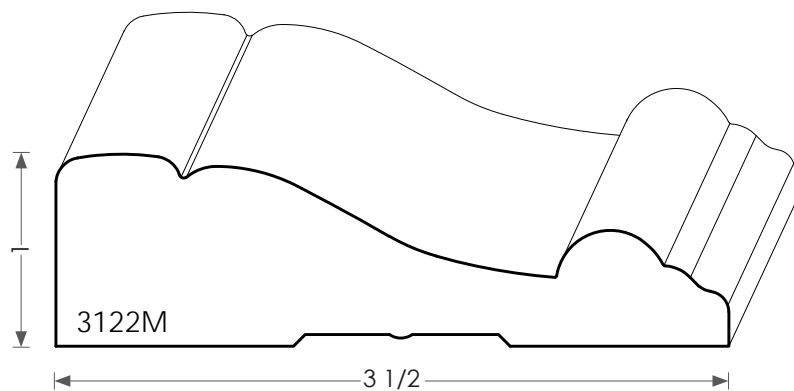
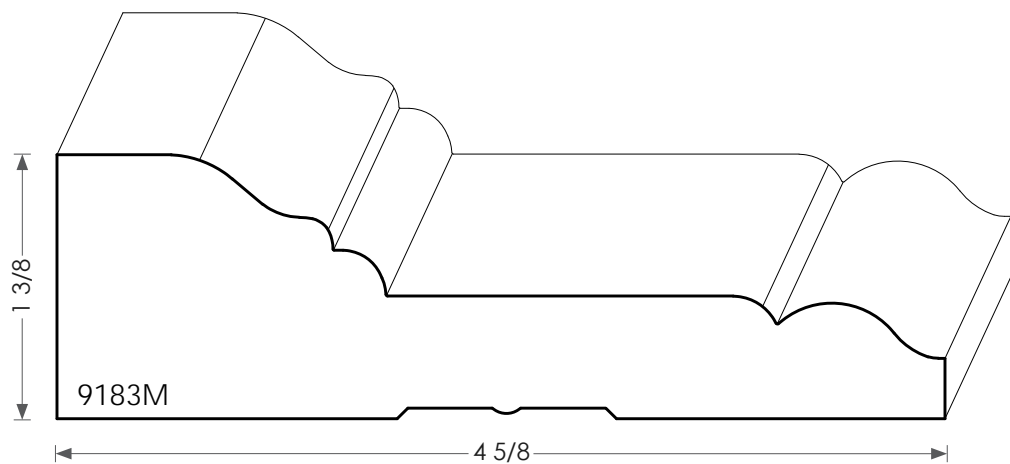
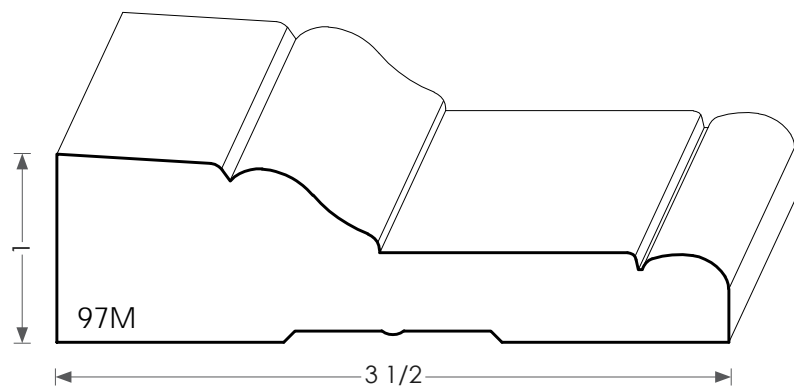
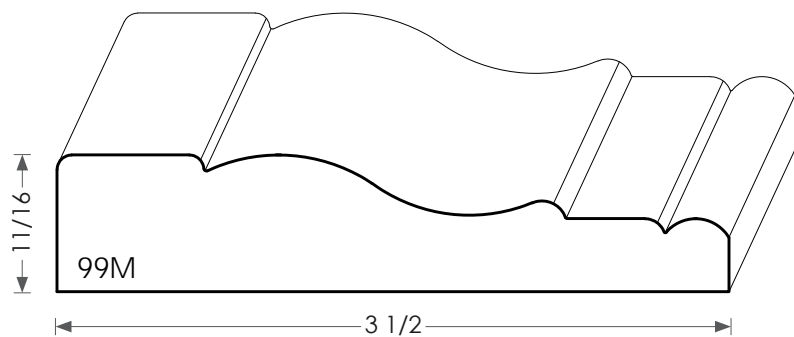
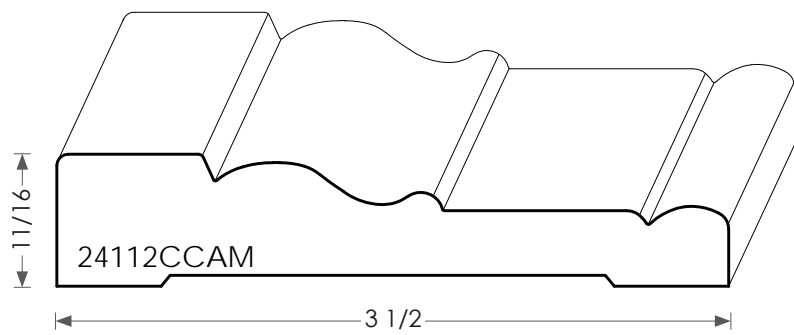


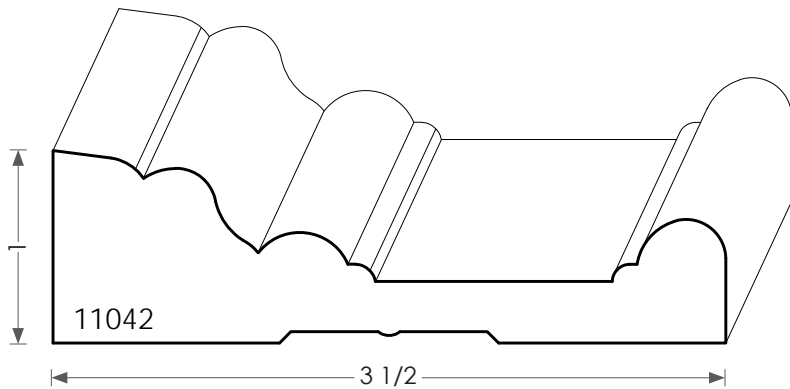
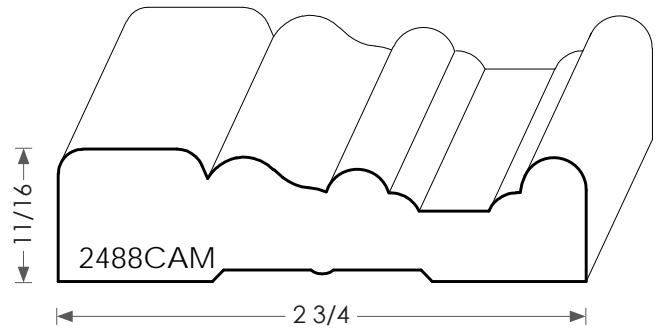
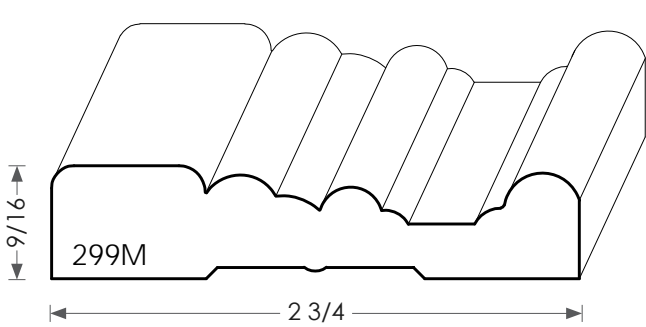
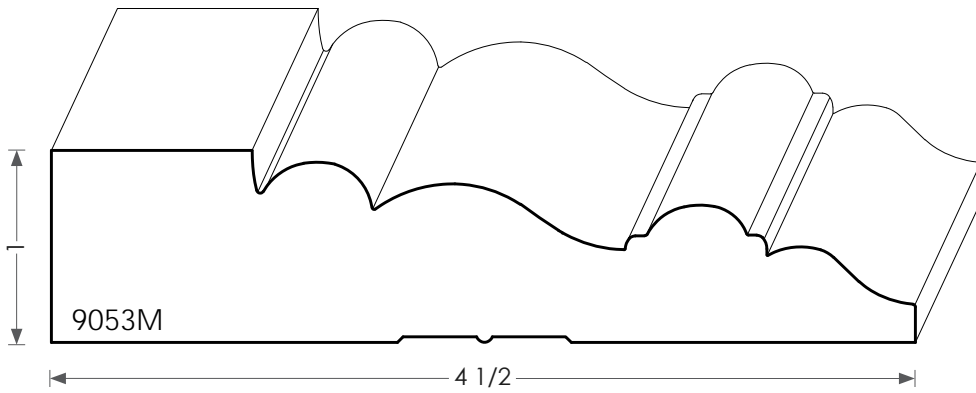
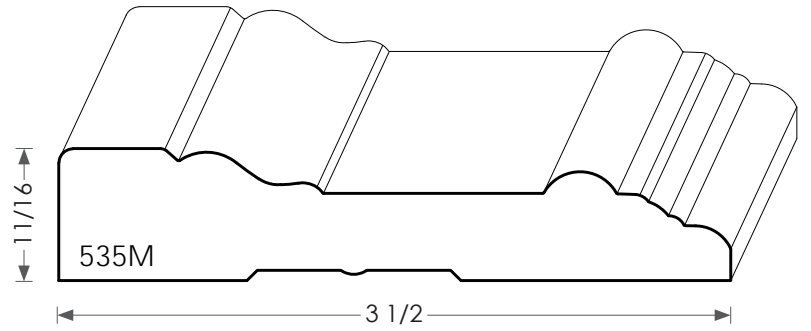
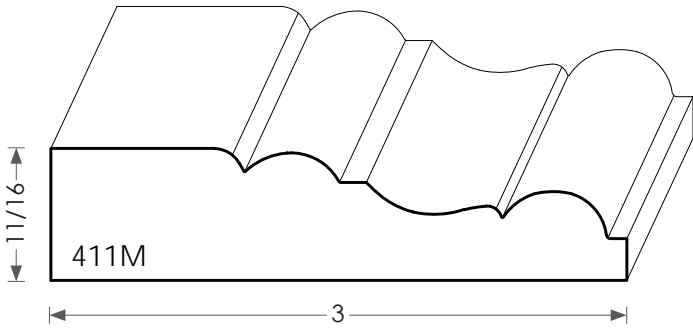
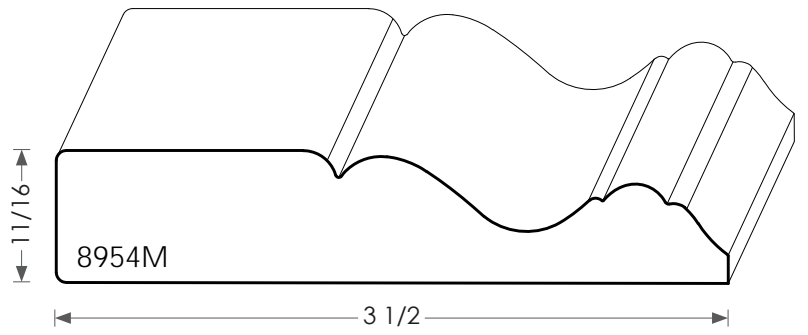
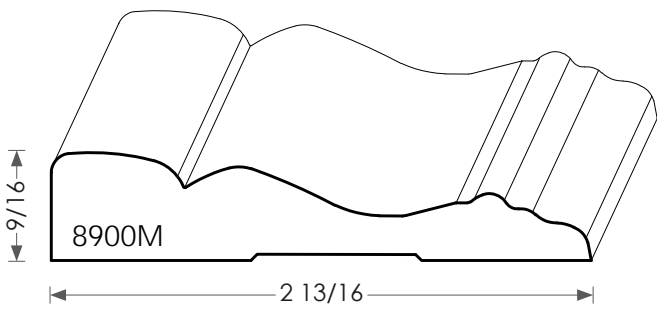


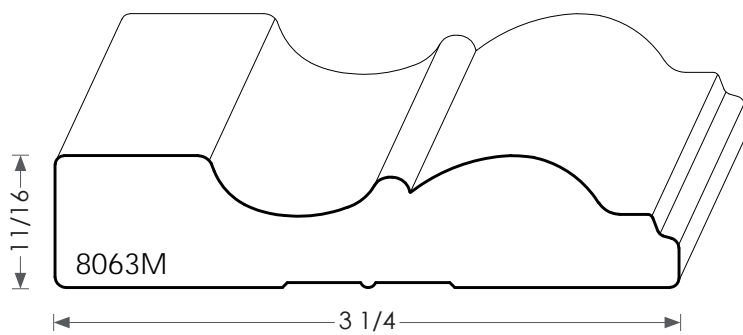
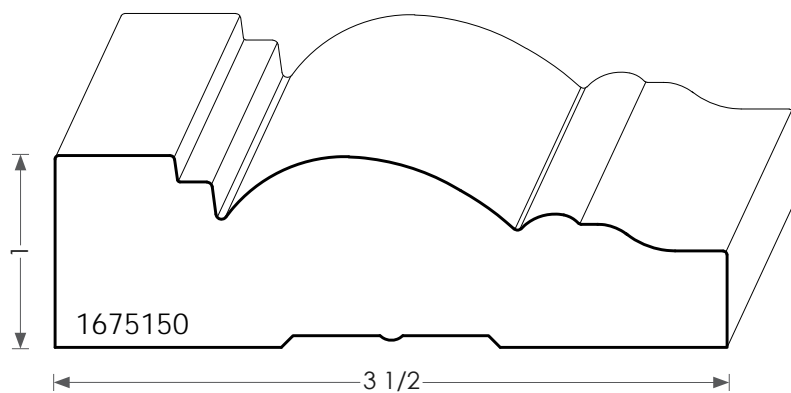
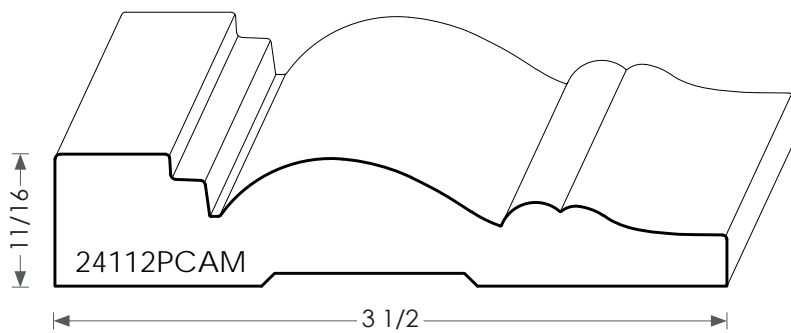
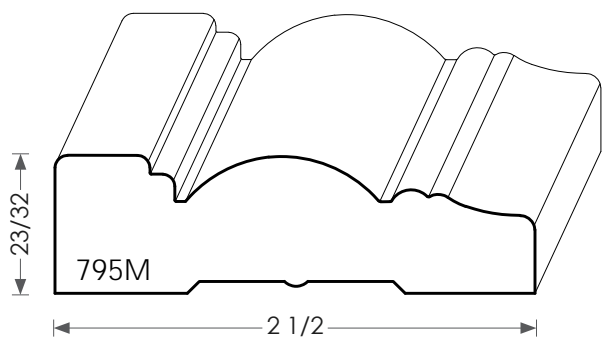


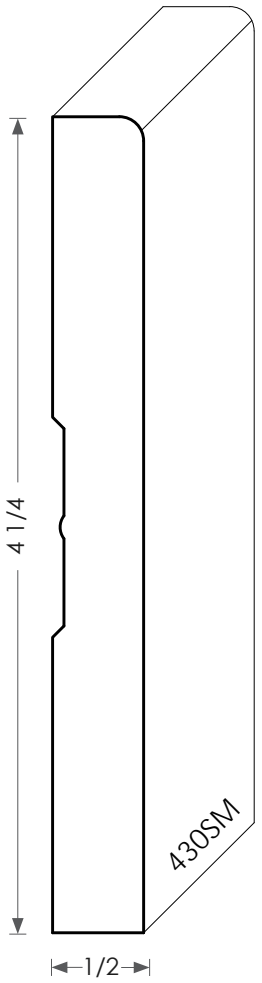
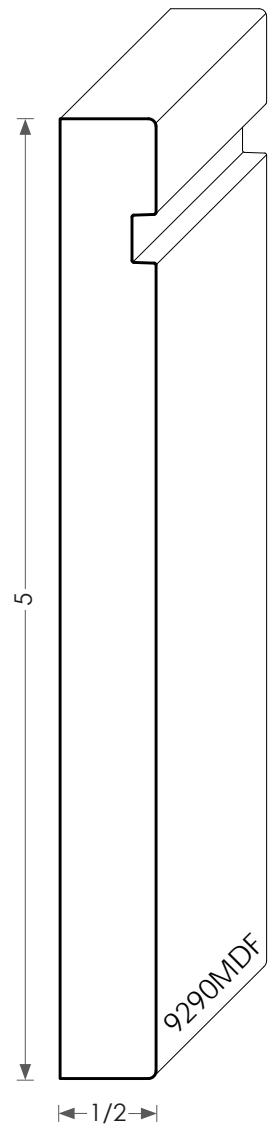
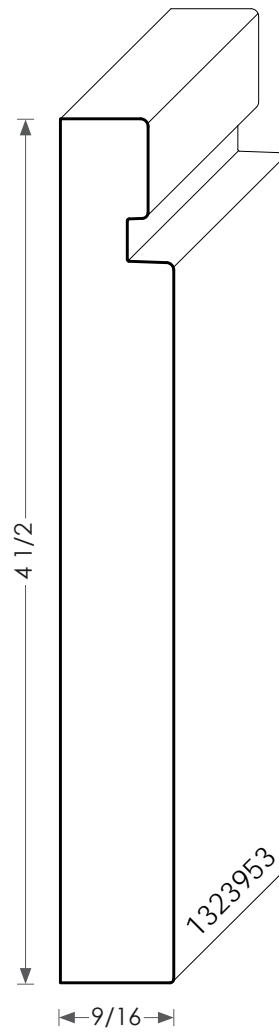
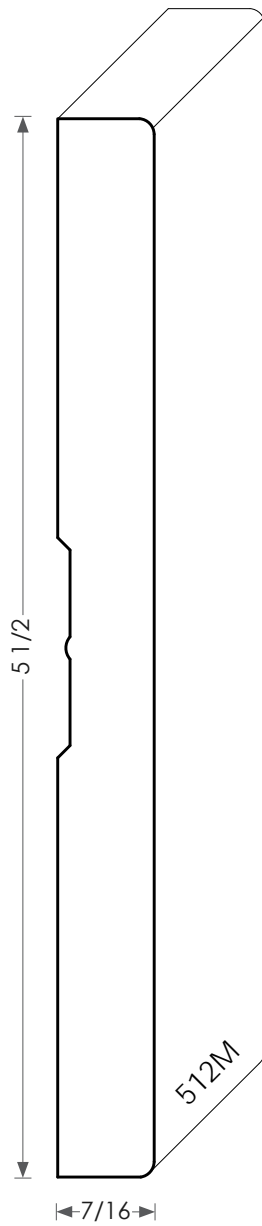
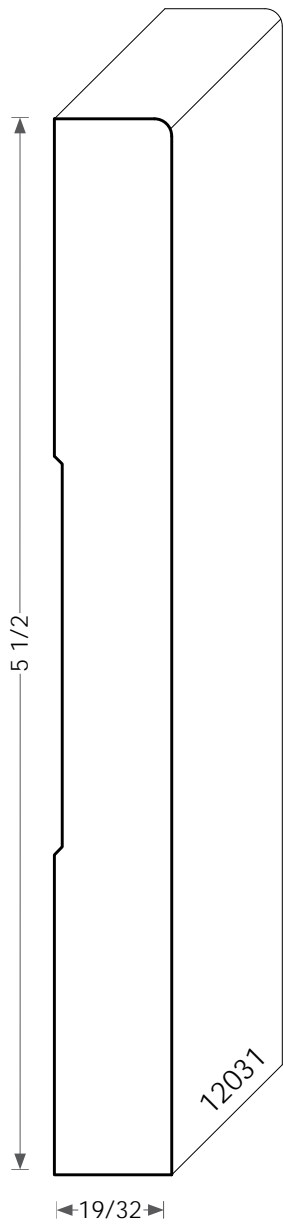
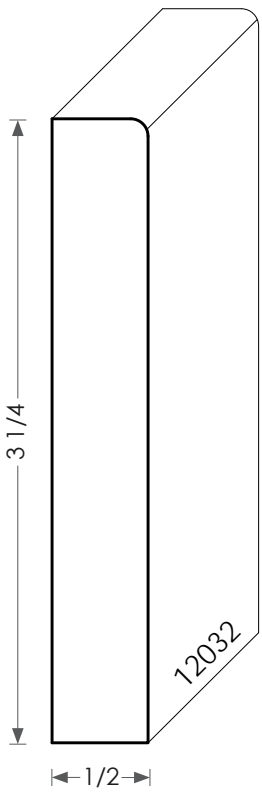


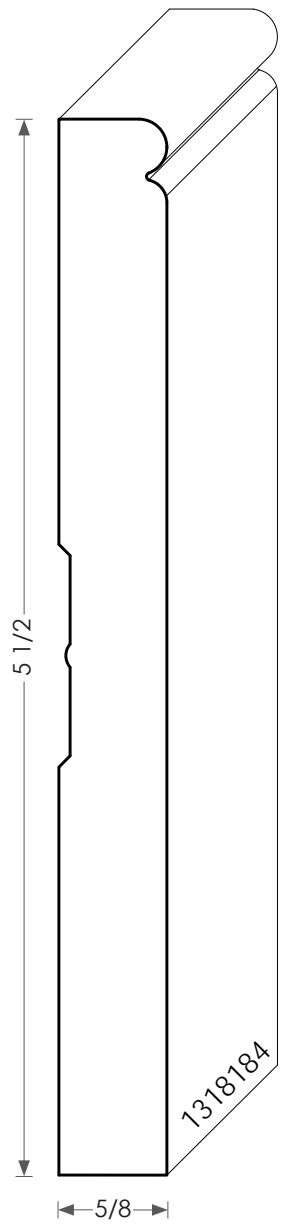
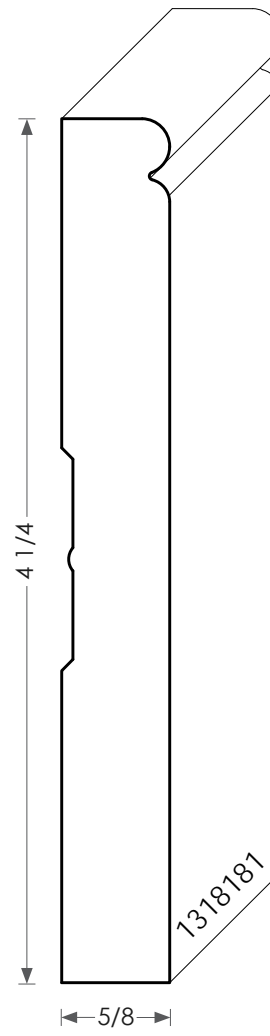
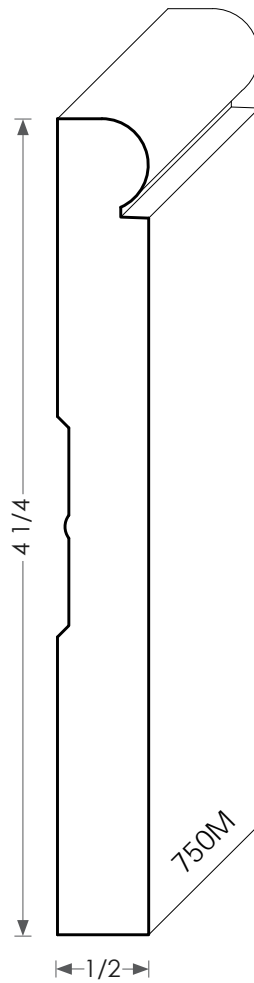
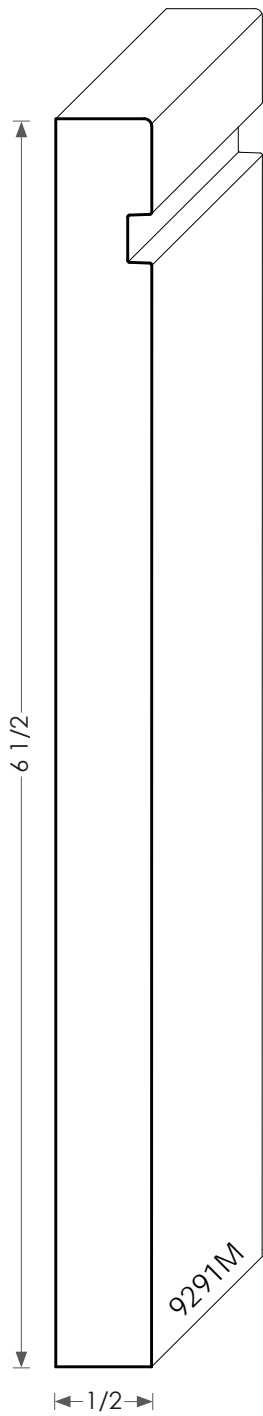
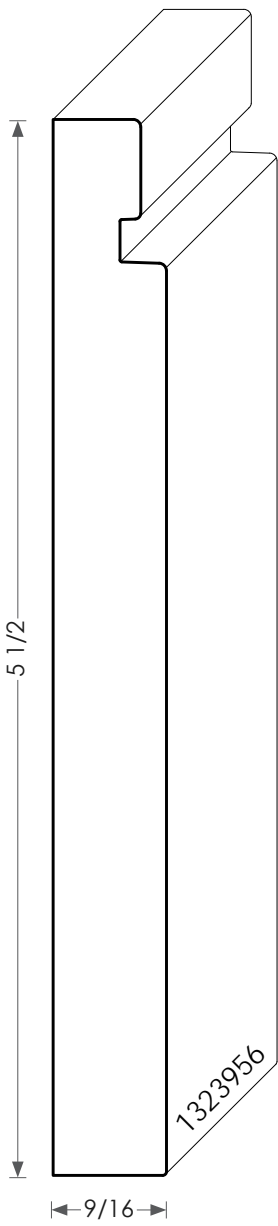




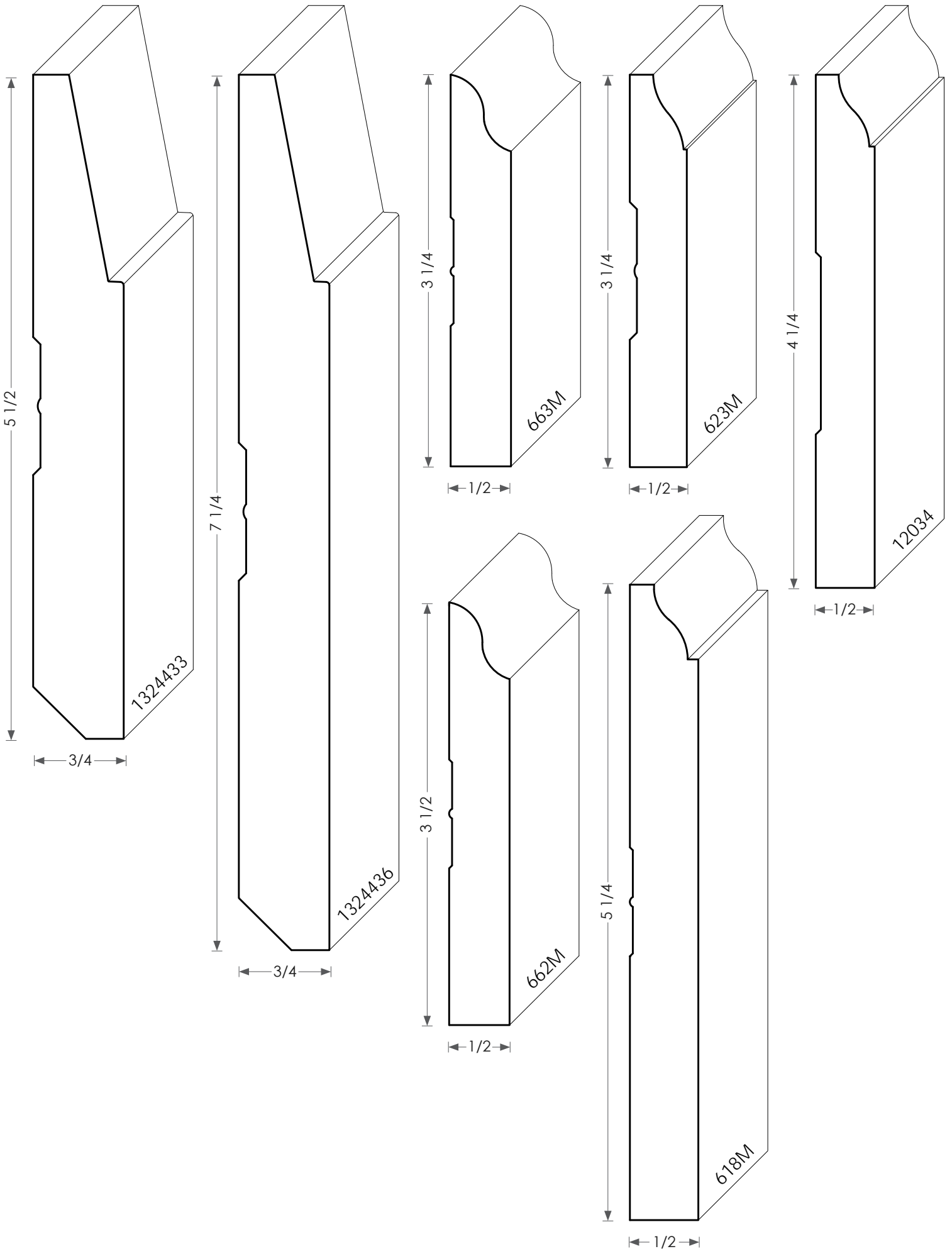


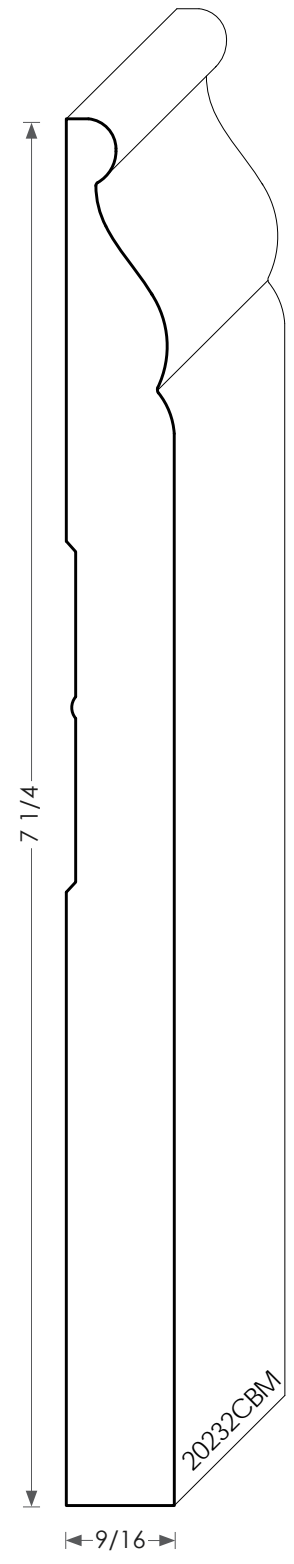
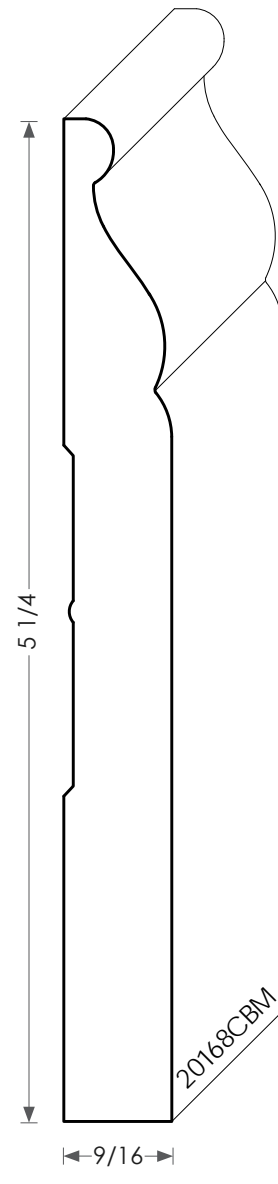
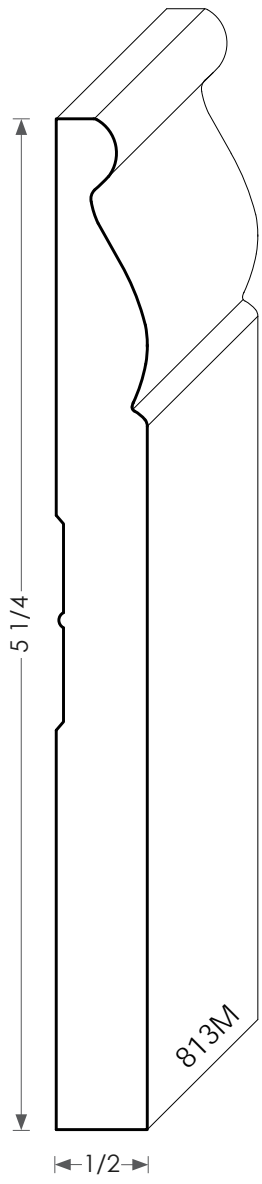
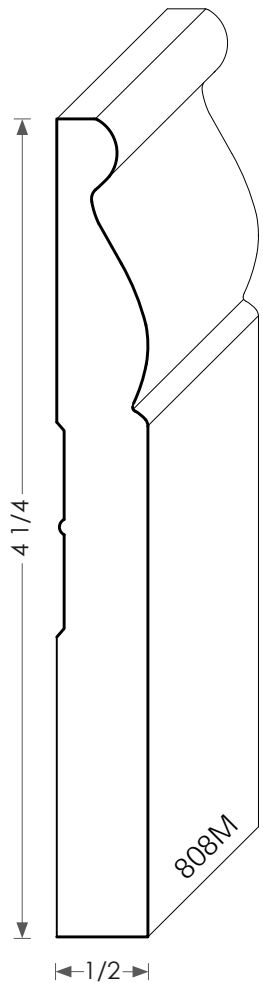
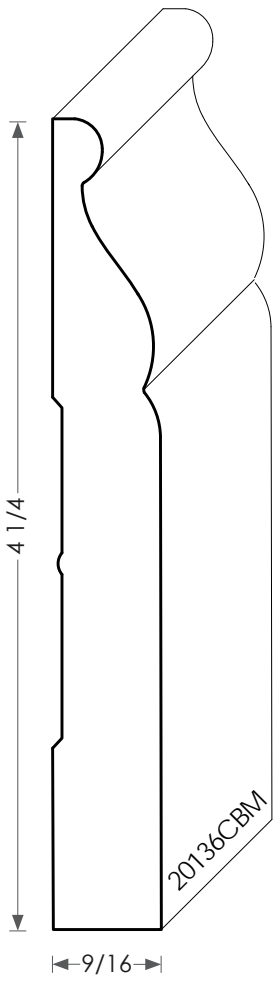






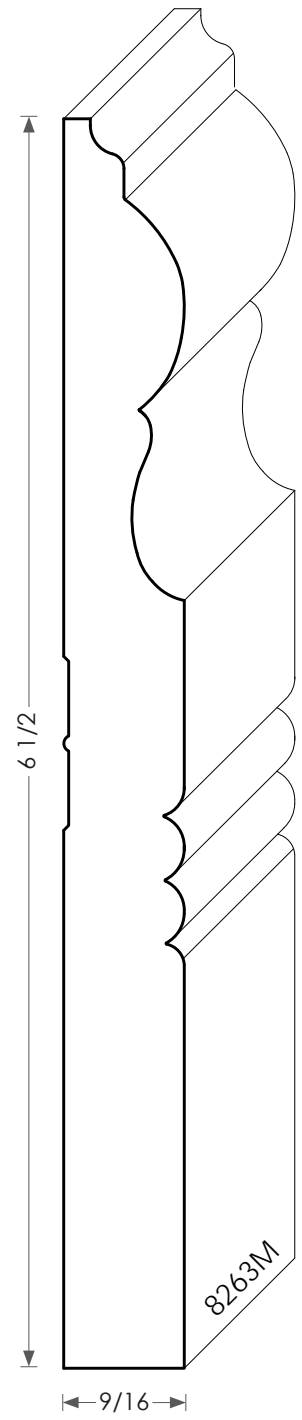
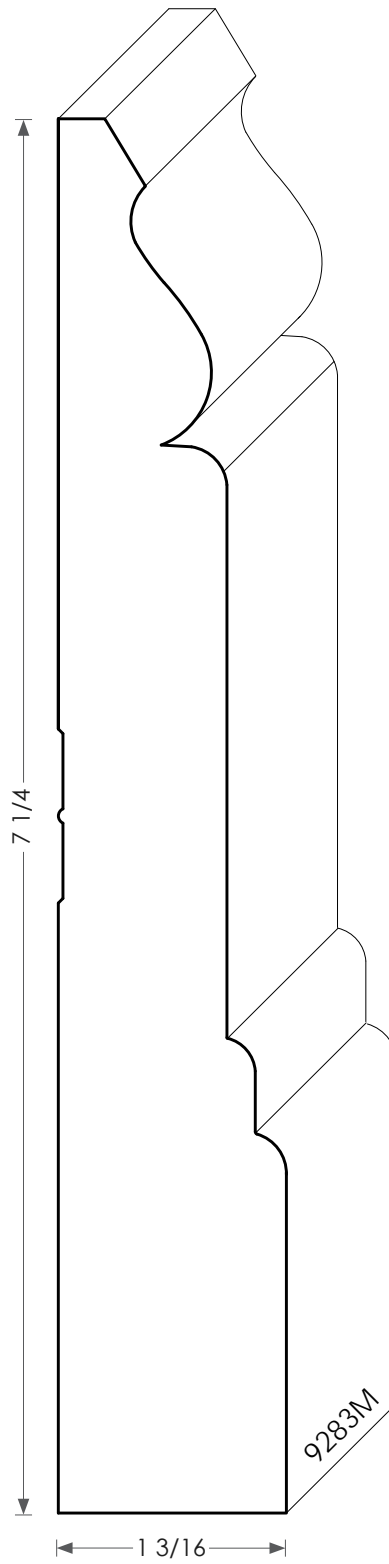
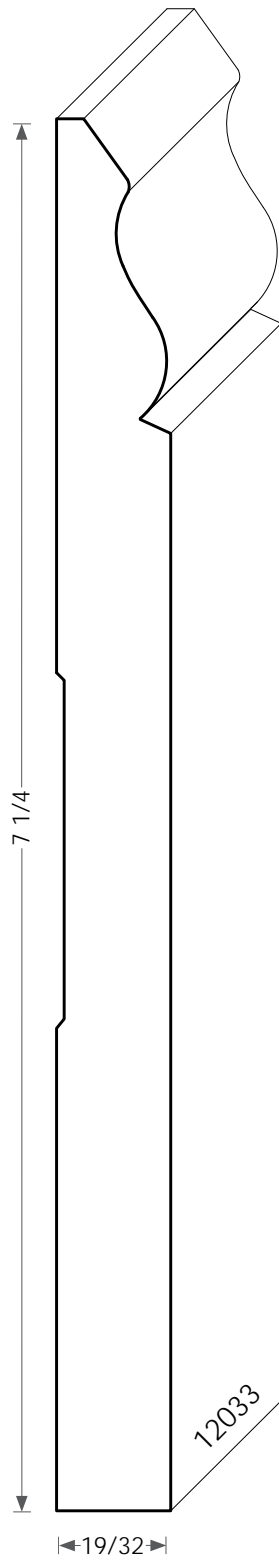
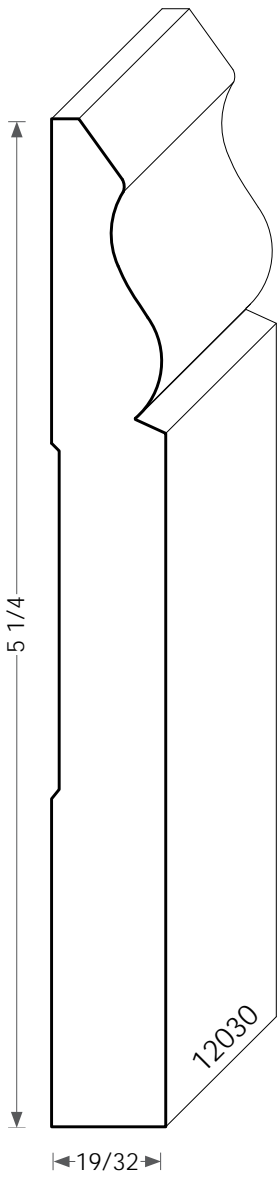
MDF BASEBOARD



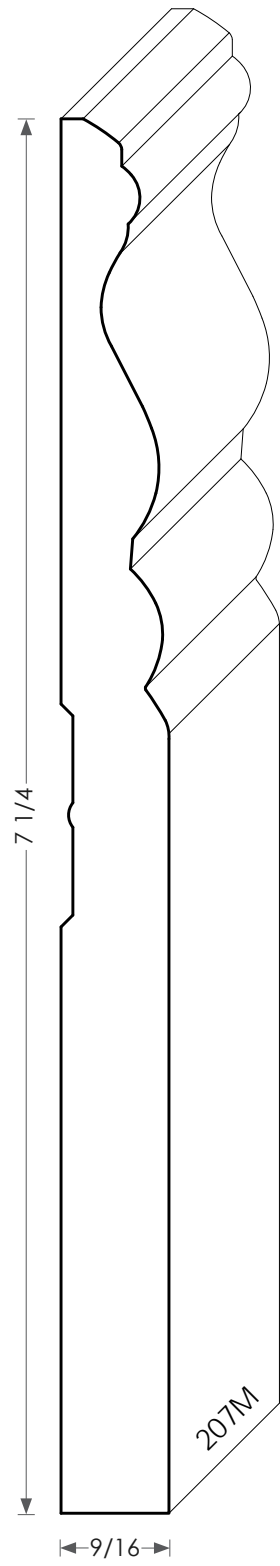
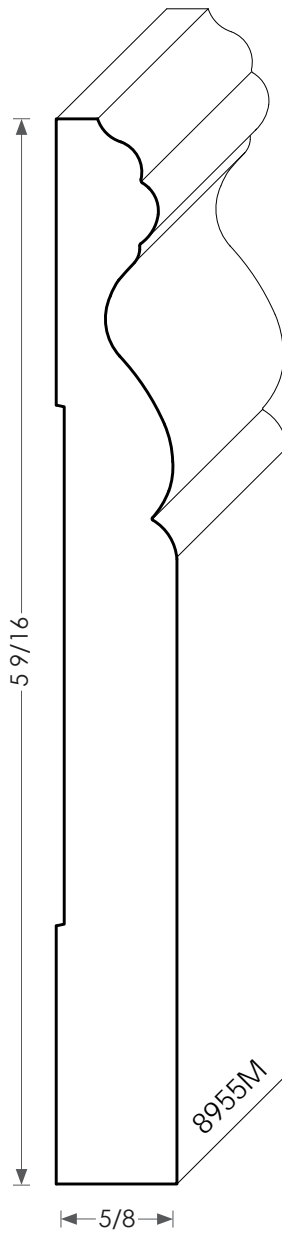
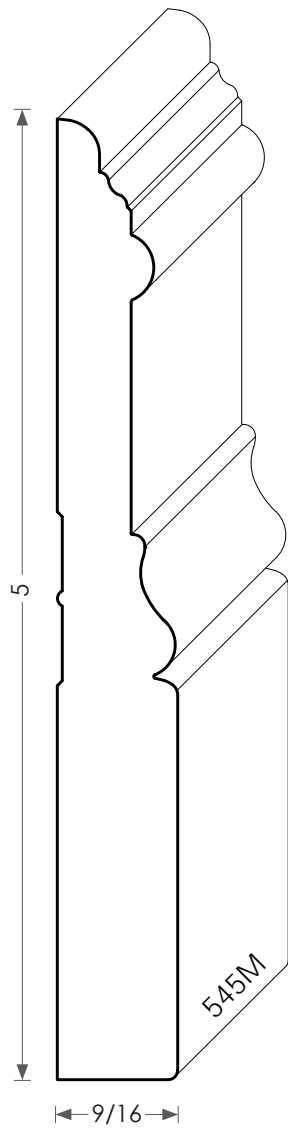
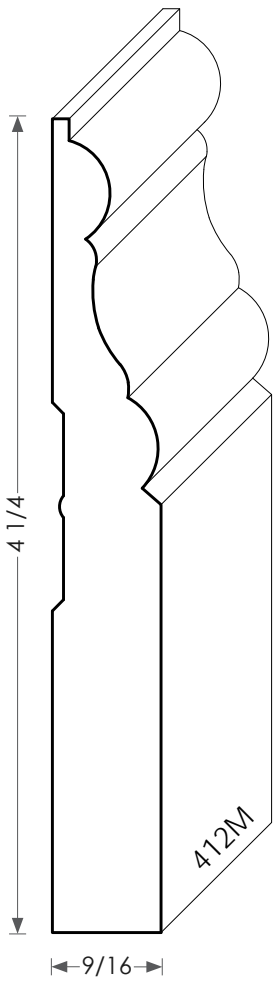


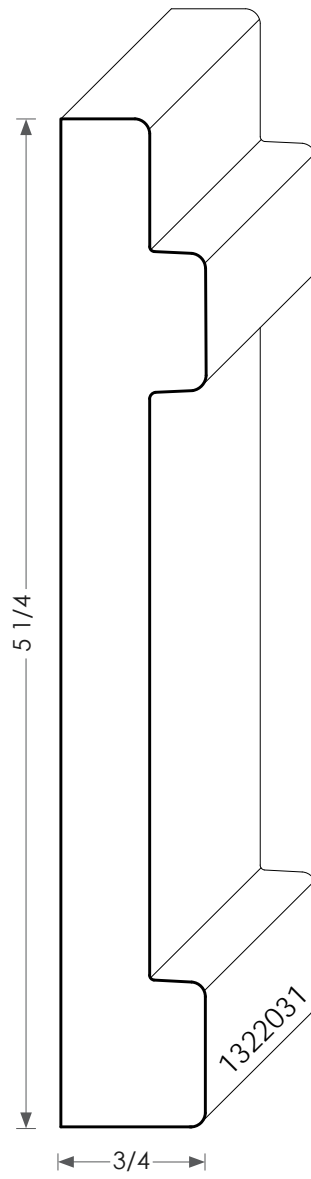
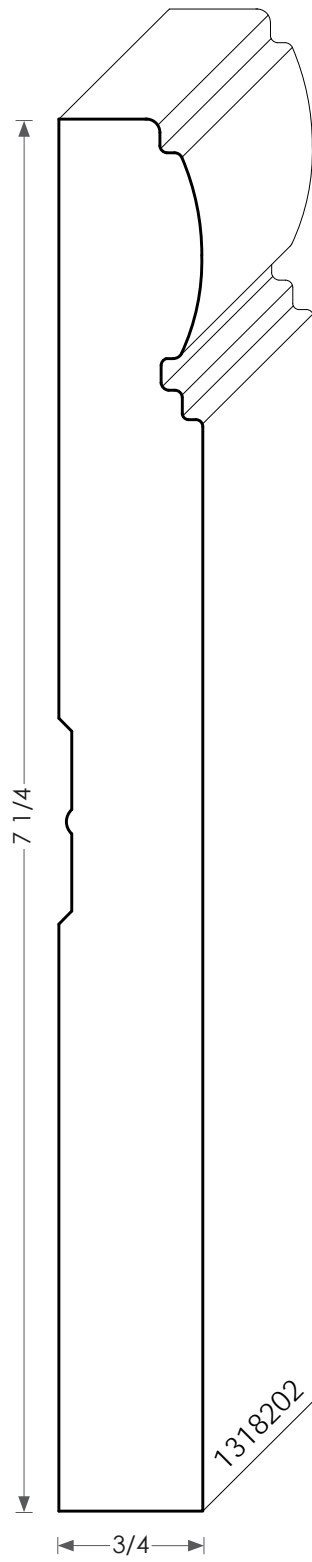
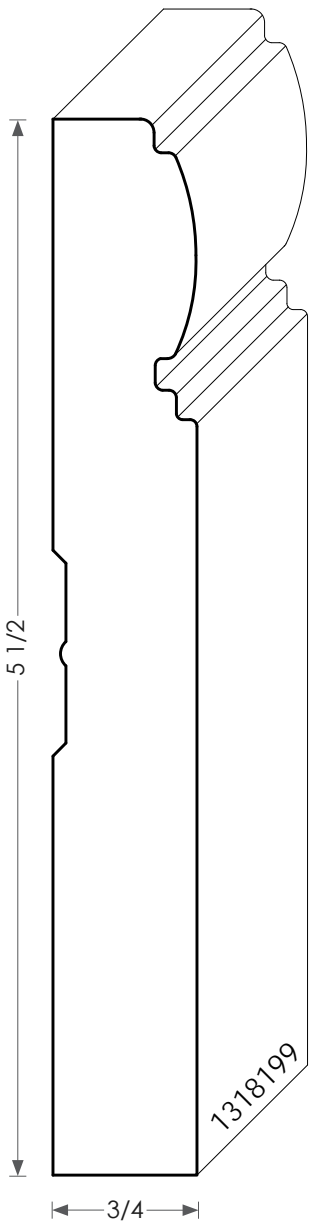
MDF BASEBOARD



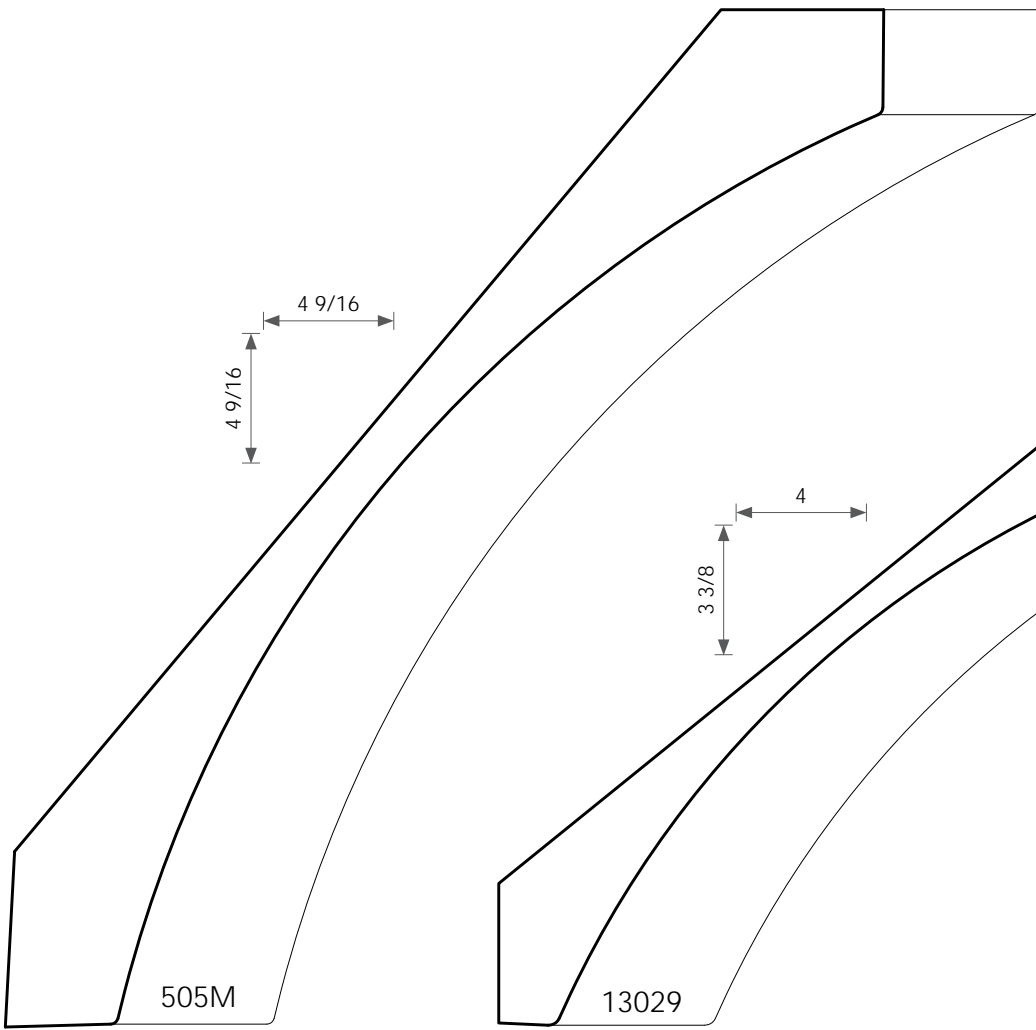


MDF BASEBOARD





MDF CROWN

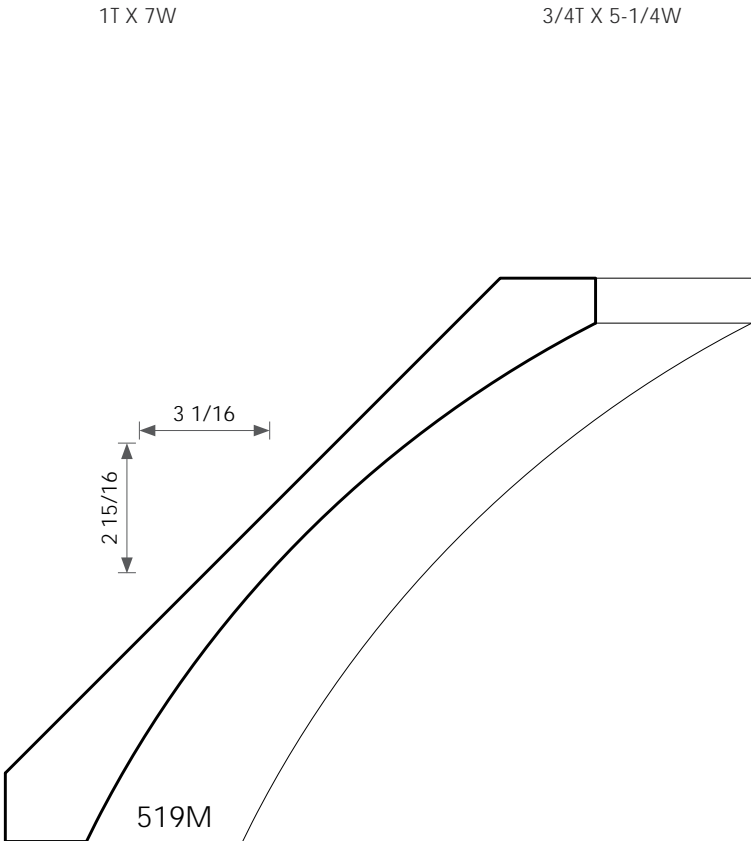


505M

13029

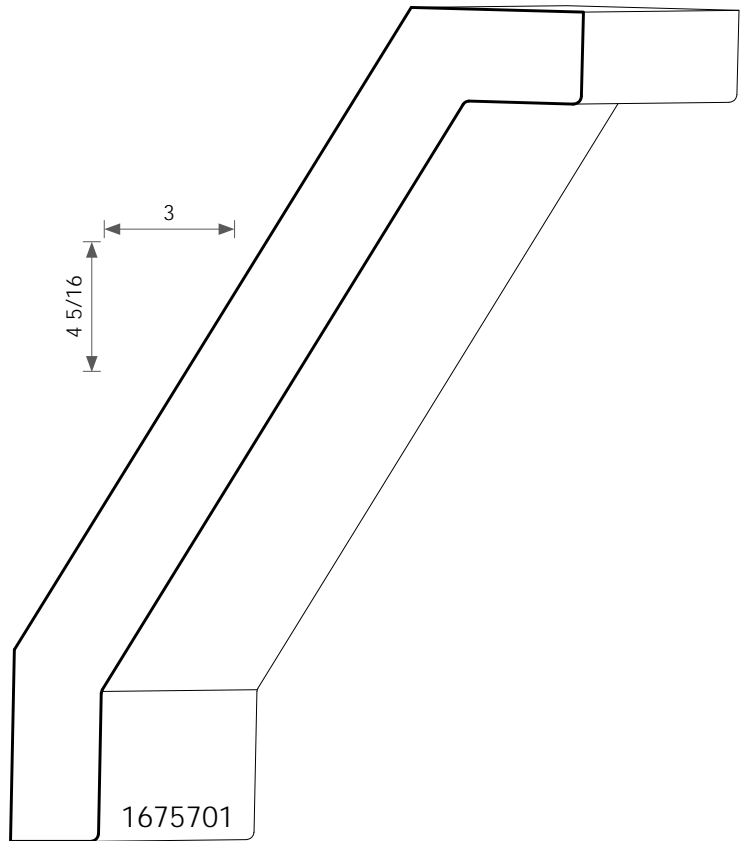
1T X 7W

3/4T X 5-1/4W



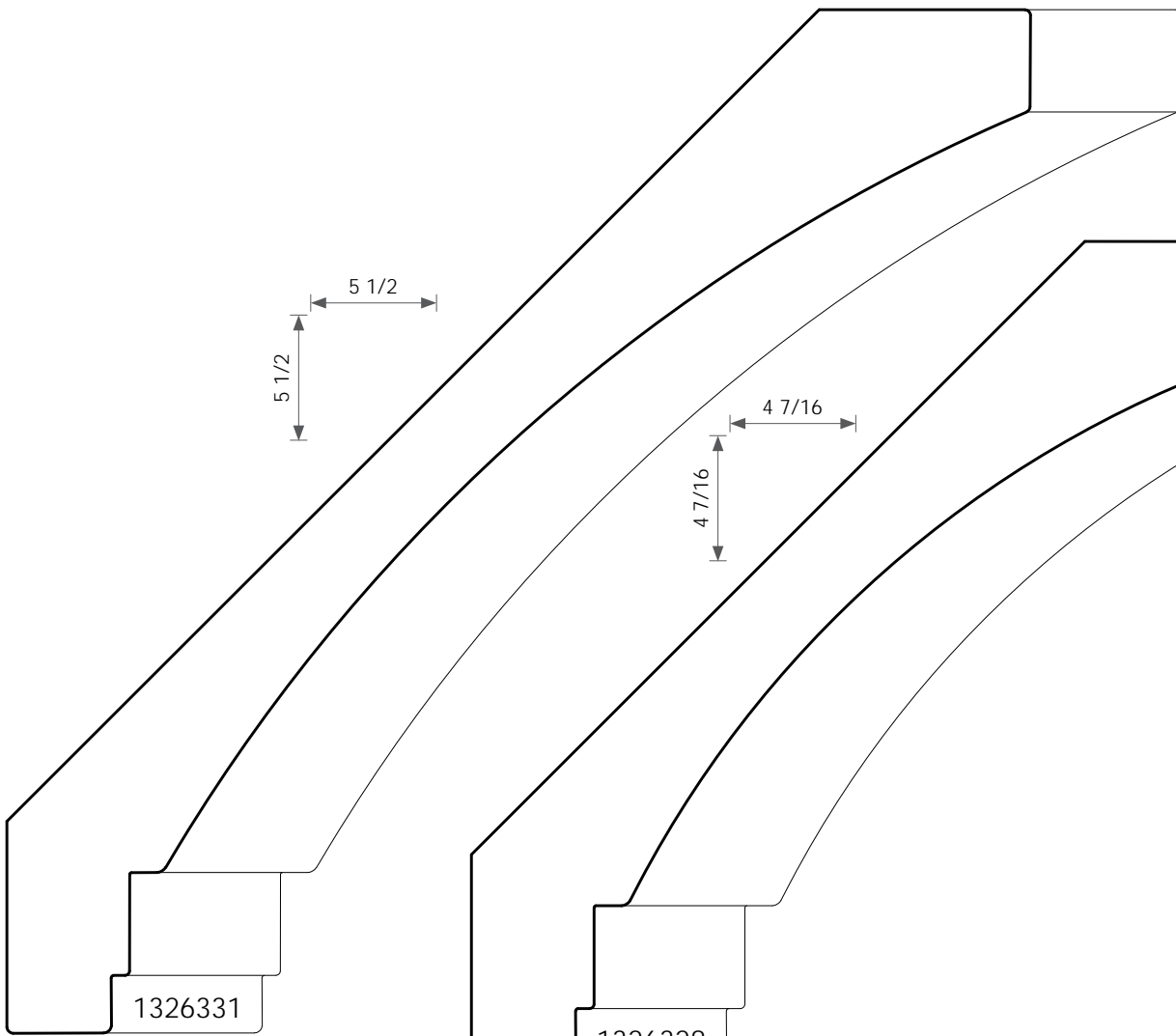
519M

9/16T X 4-1/4W

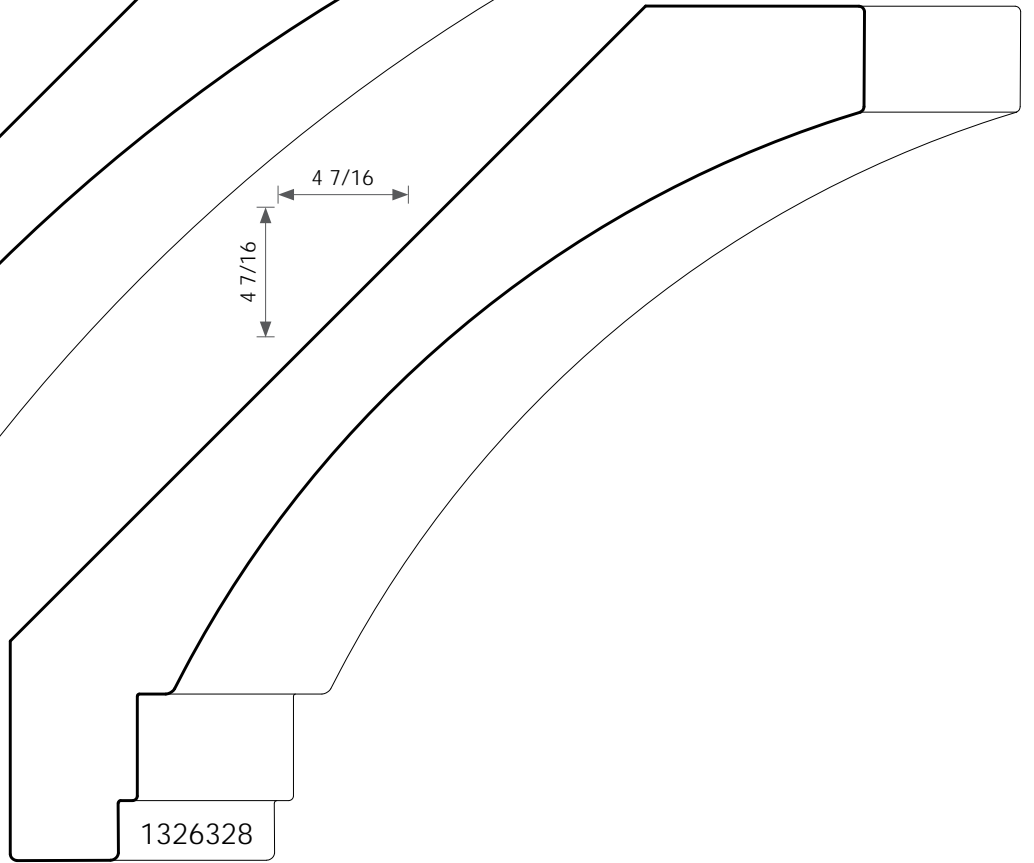


1675701

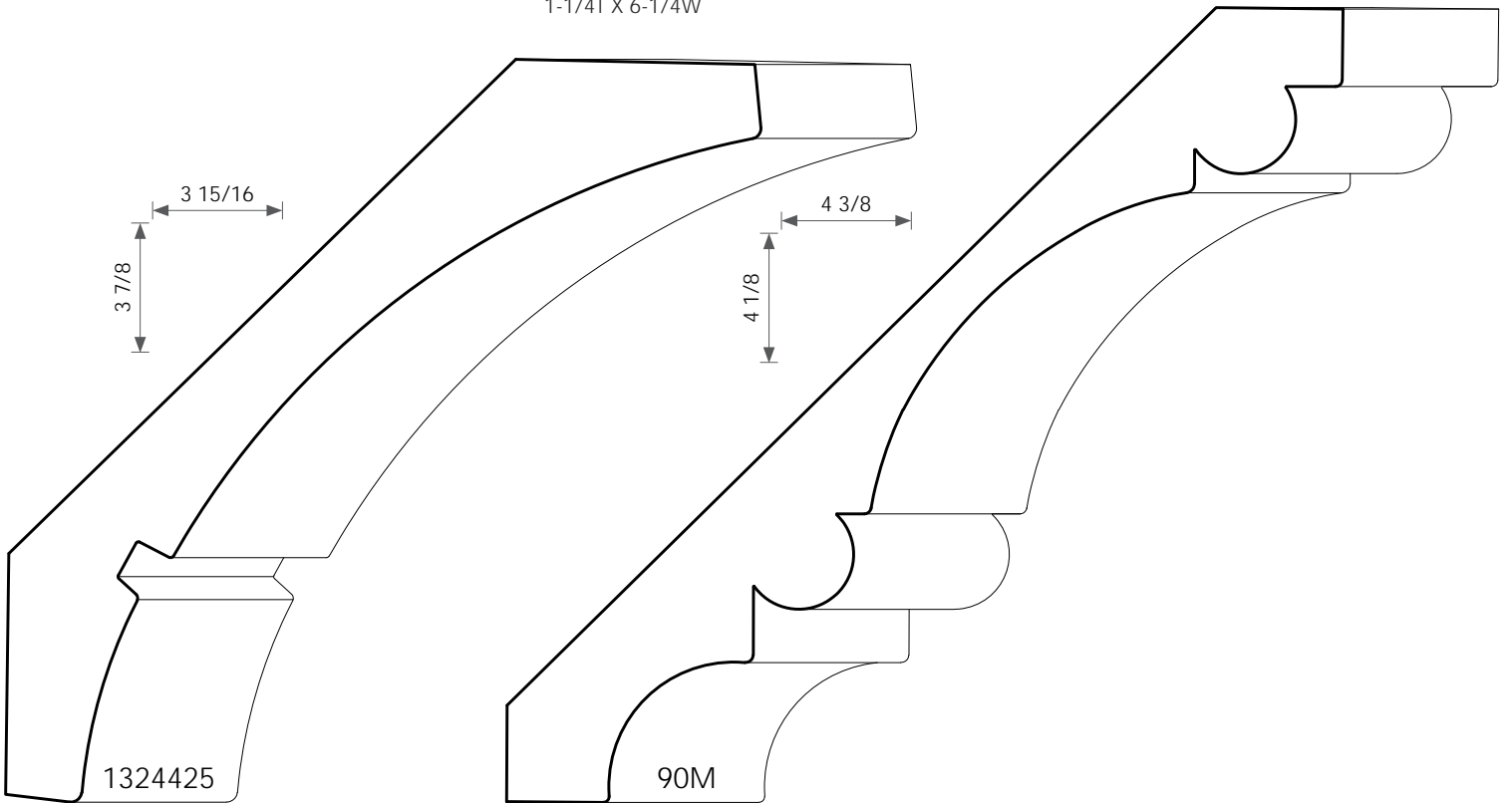
1T X 5-1/4W



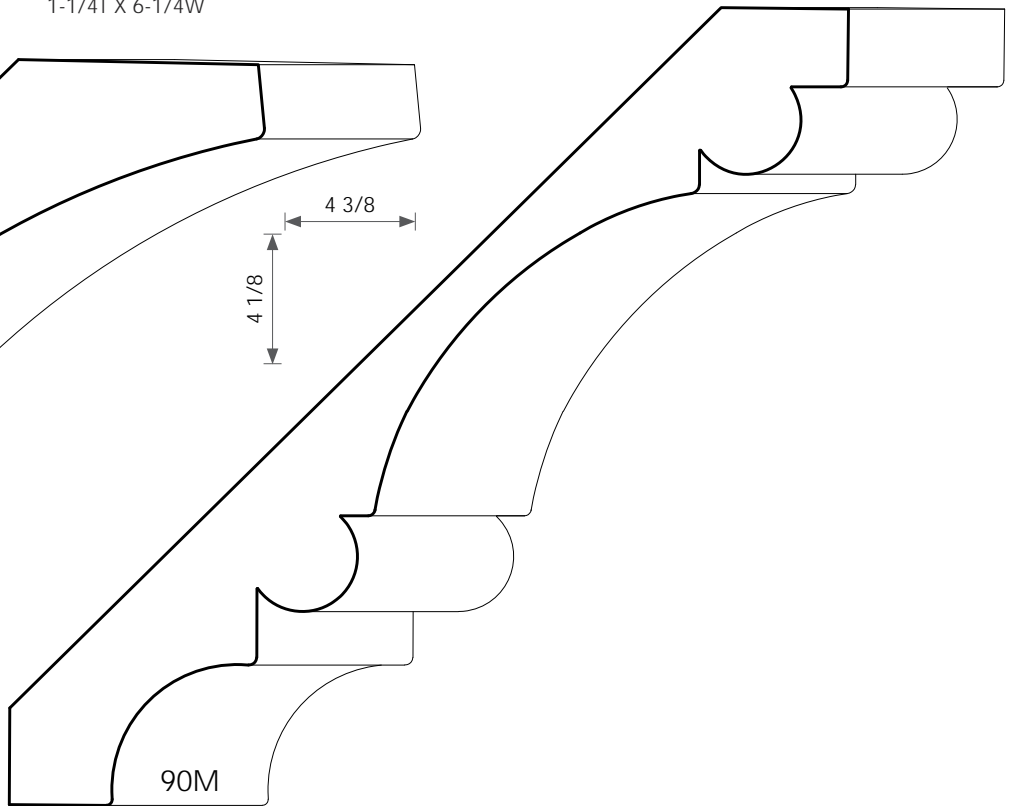
1-1/4T X 7-3/4W



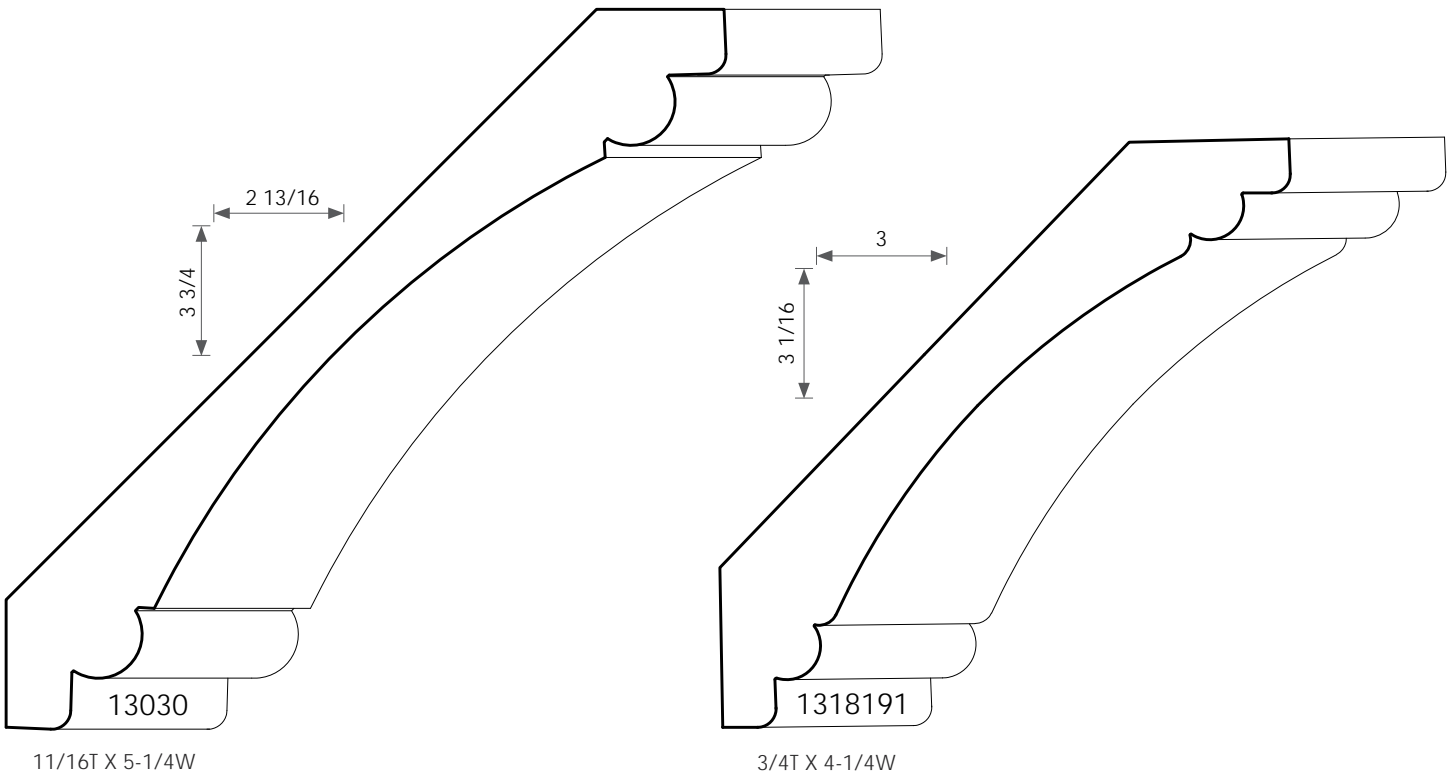
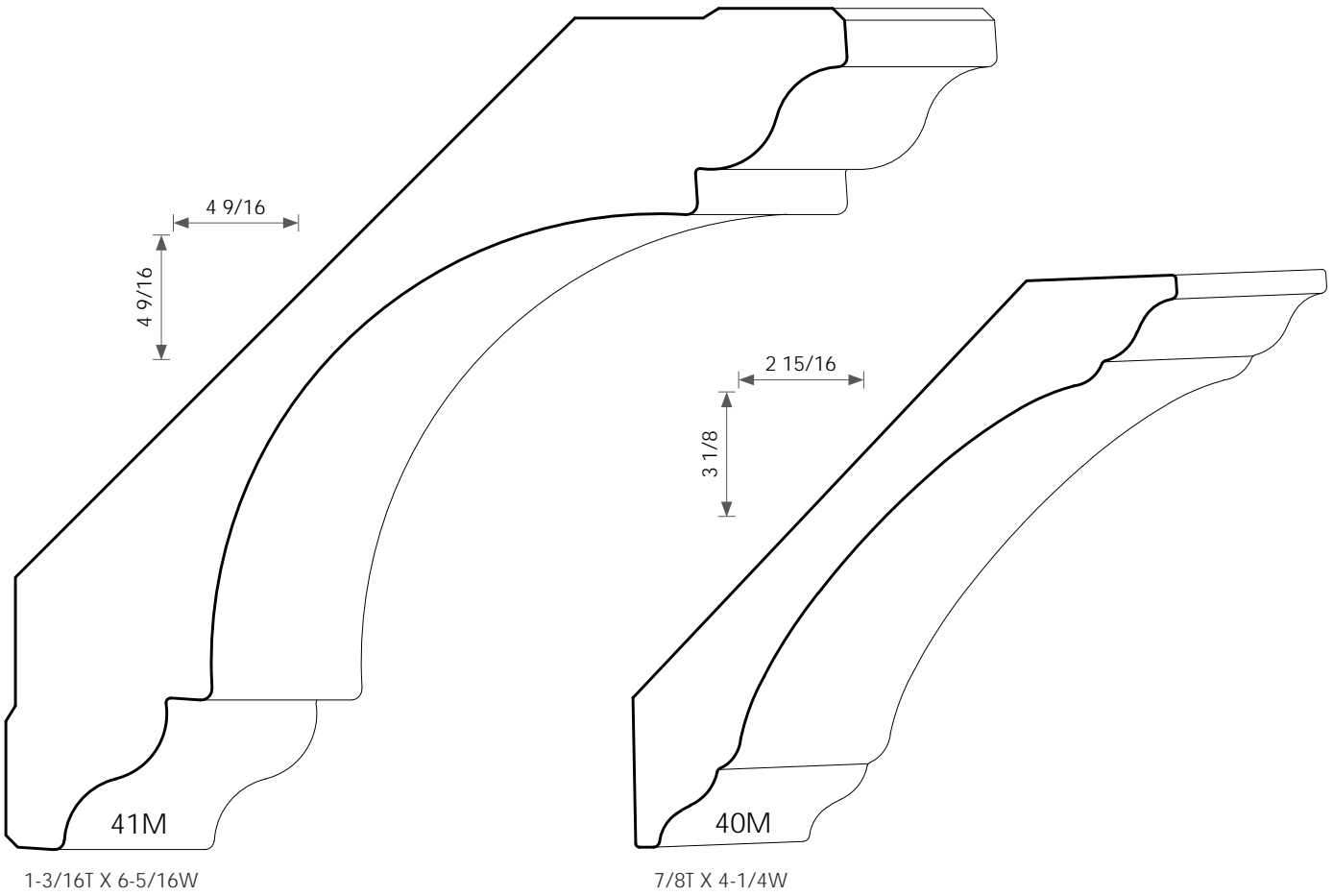
1-1/4T X 6-1/4W

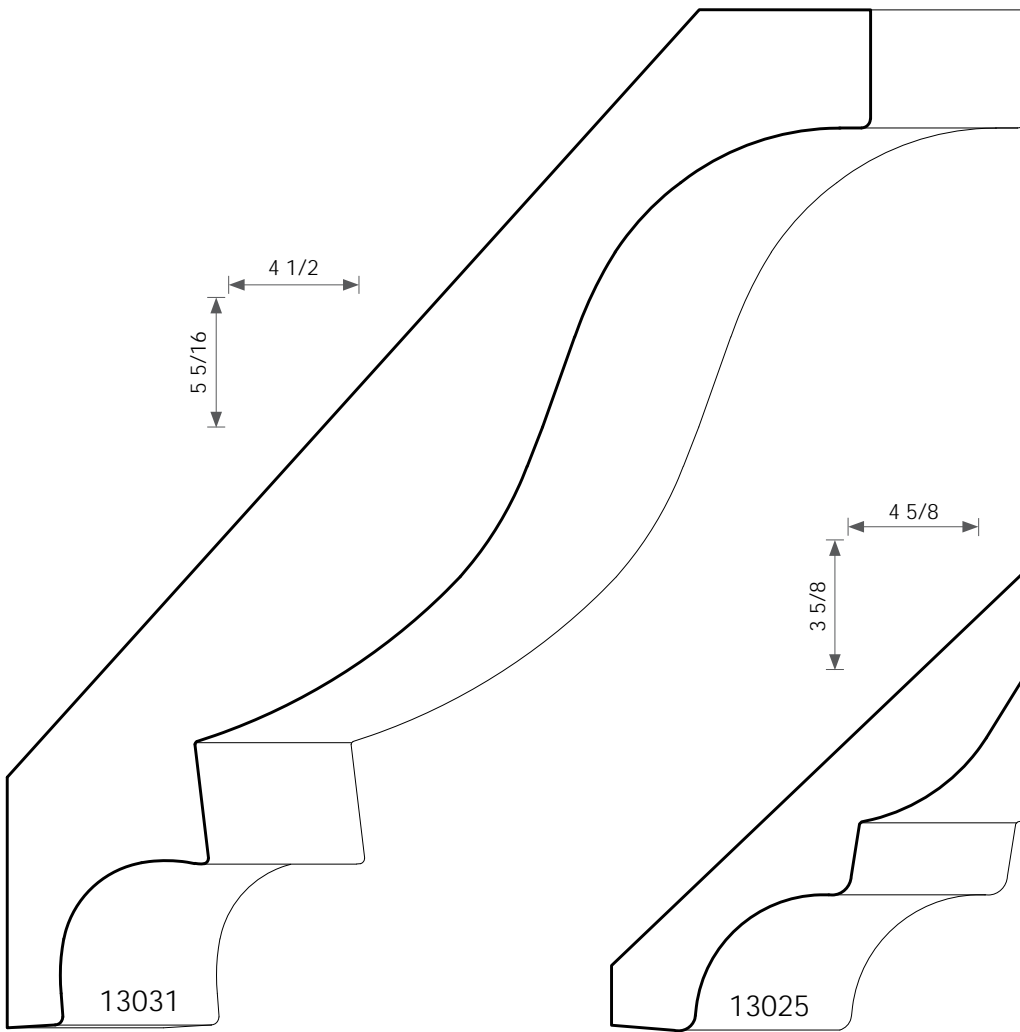


1-3/16T X 5-7/16W



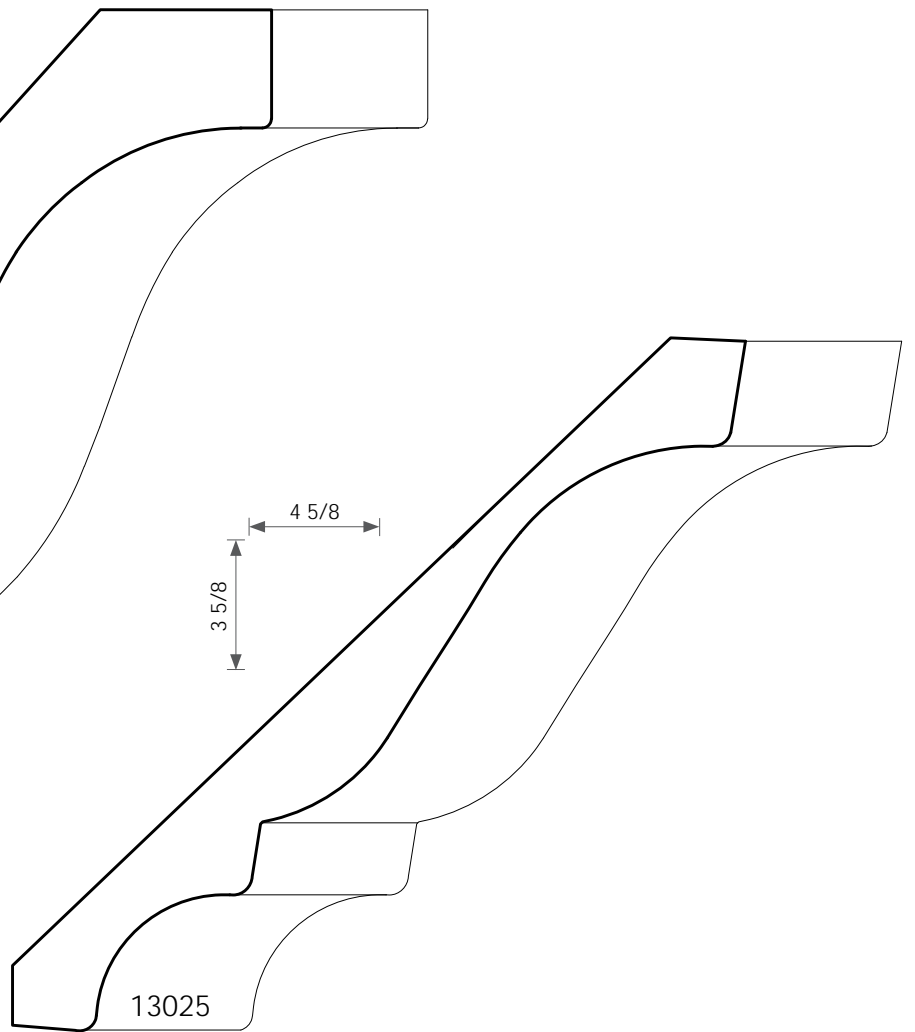
11/16T X 6W





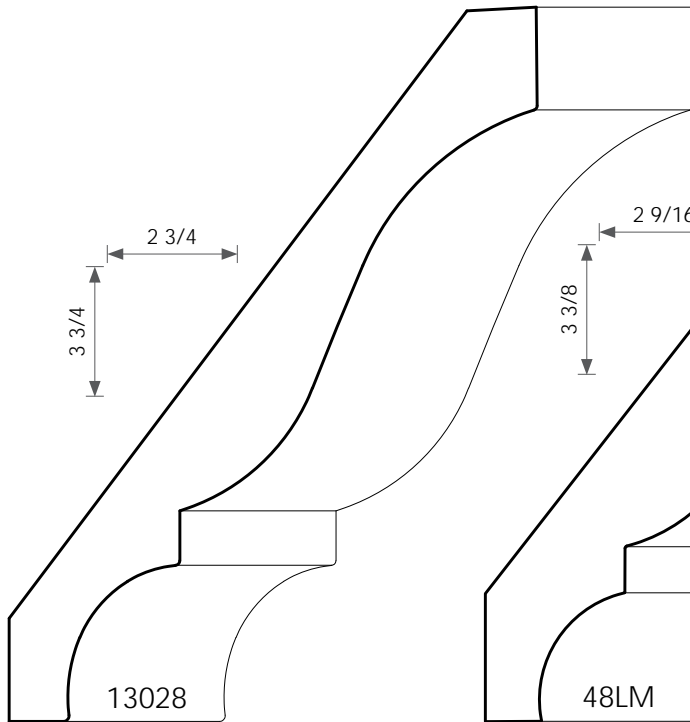
13031

1T X 6-15/16W



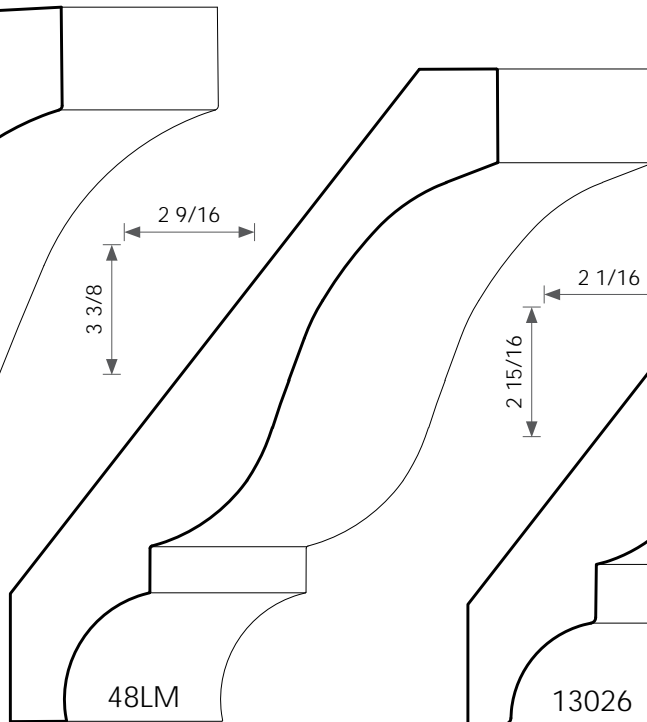
13025

19/32T X 5-1/4W



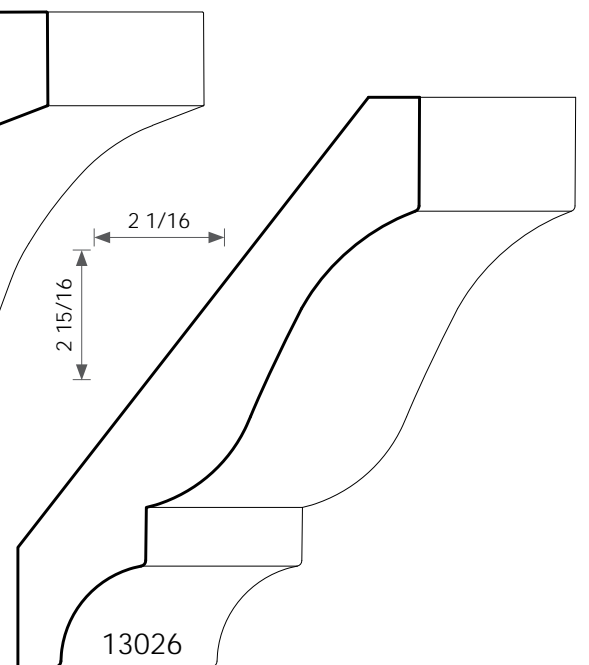
13028

9/16T X 4-5/8W



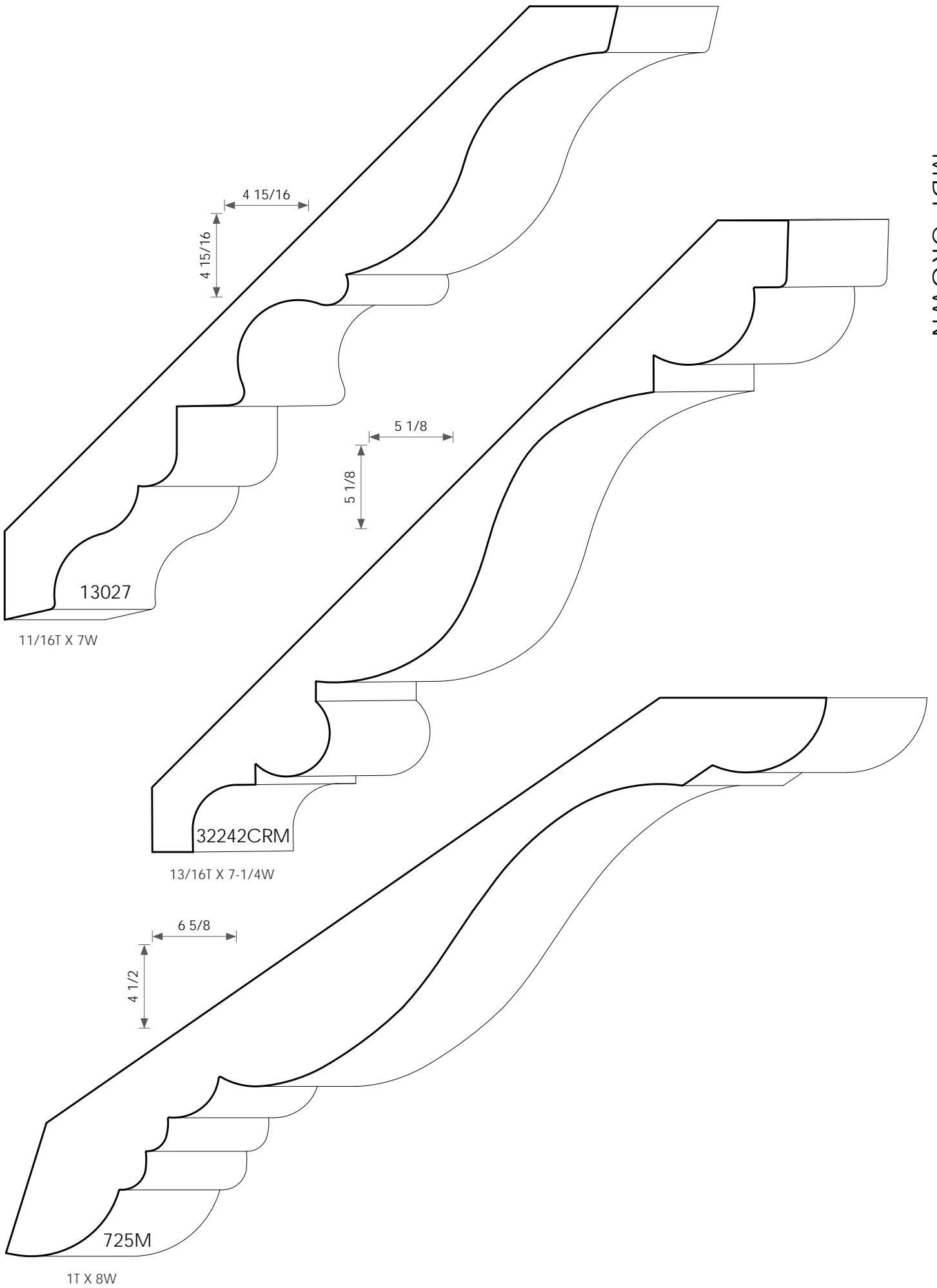
48LM

5/8T X 4-1/4W

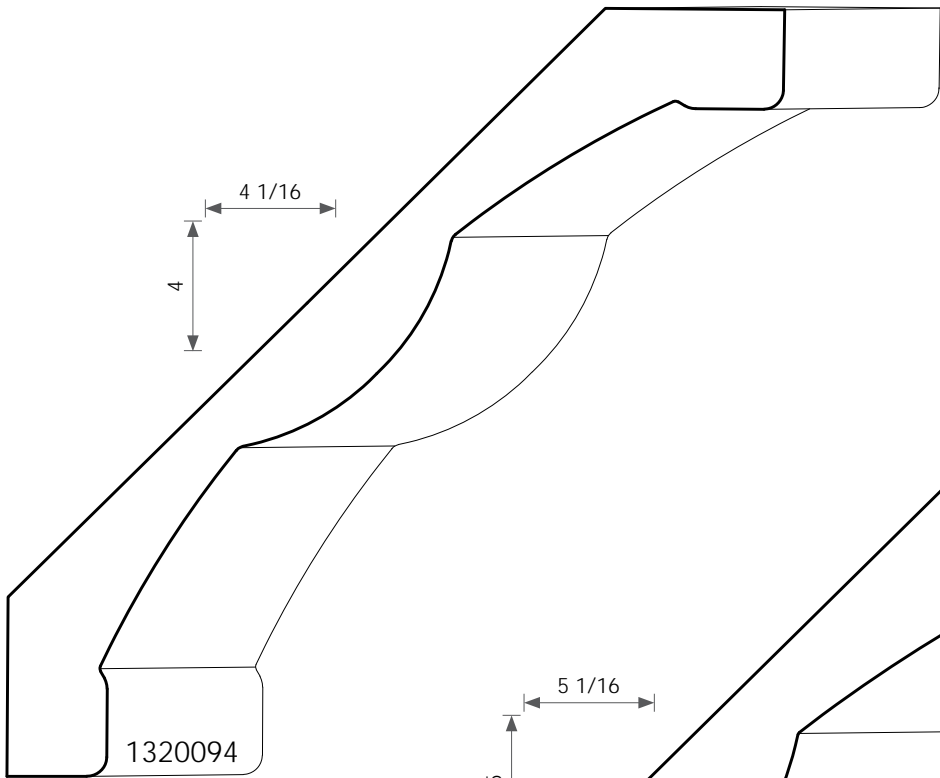


13026

19/32T X 3-5/8W

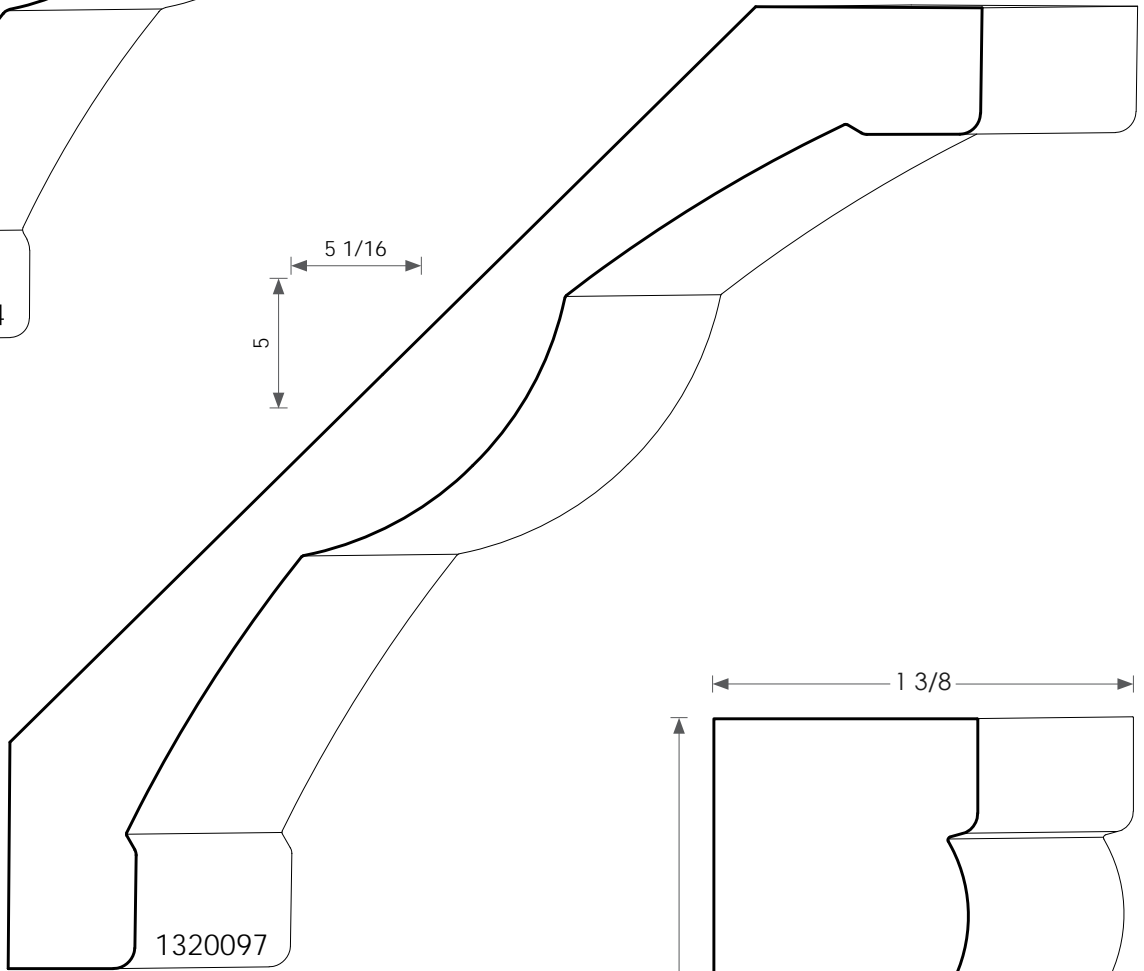






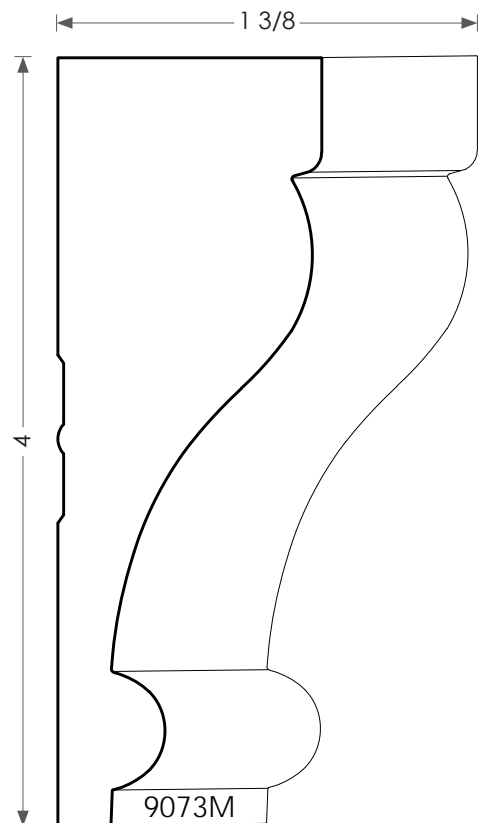
1320094

1T X 5-11/16W



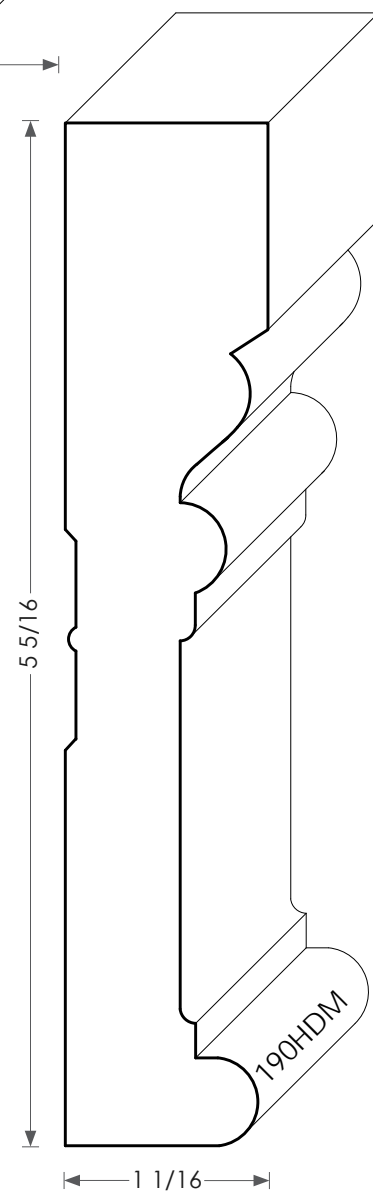
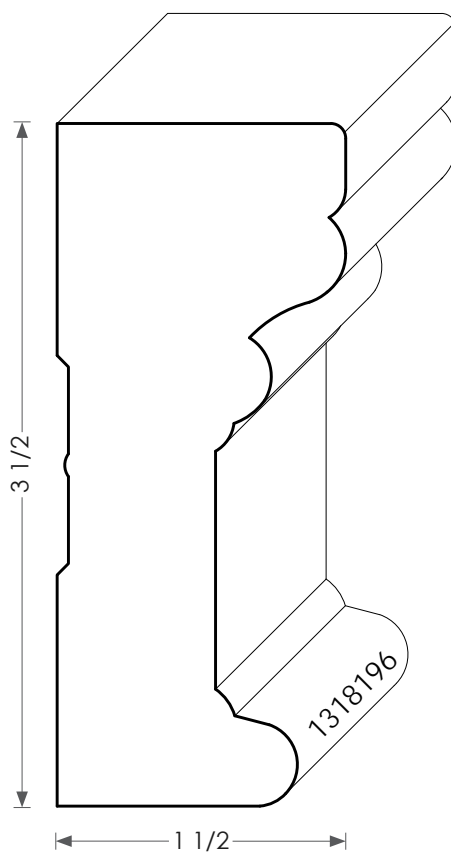
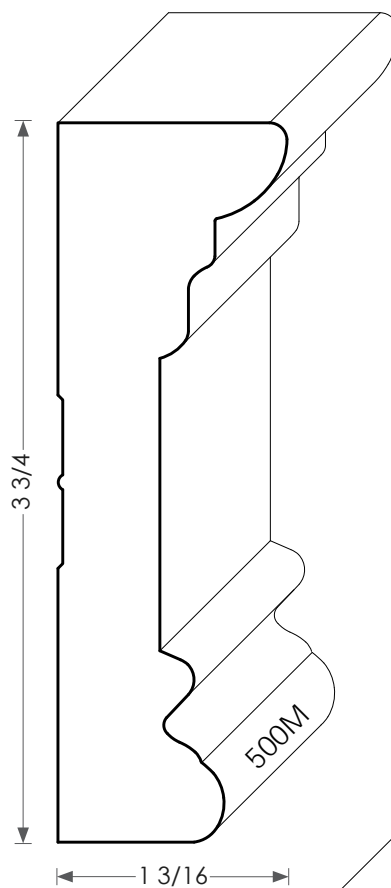
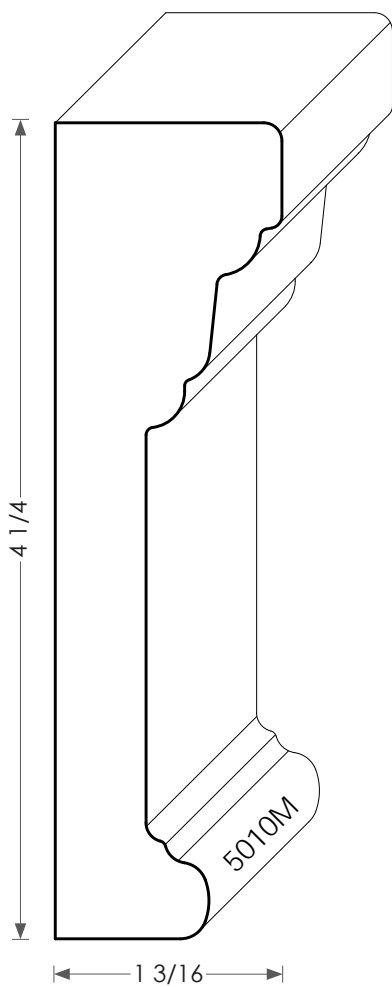
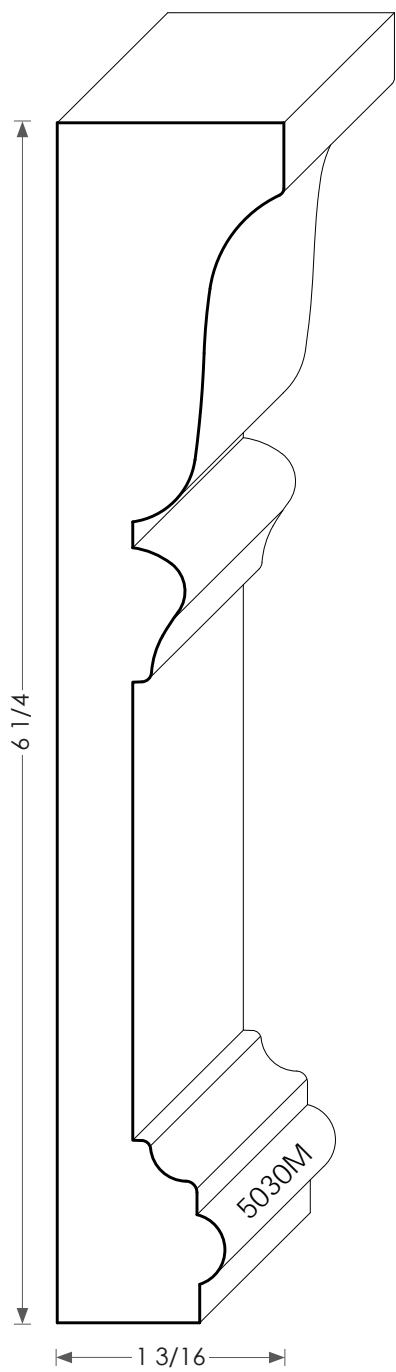
1320097

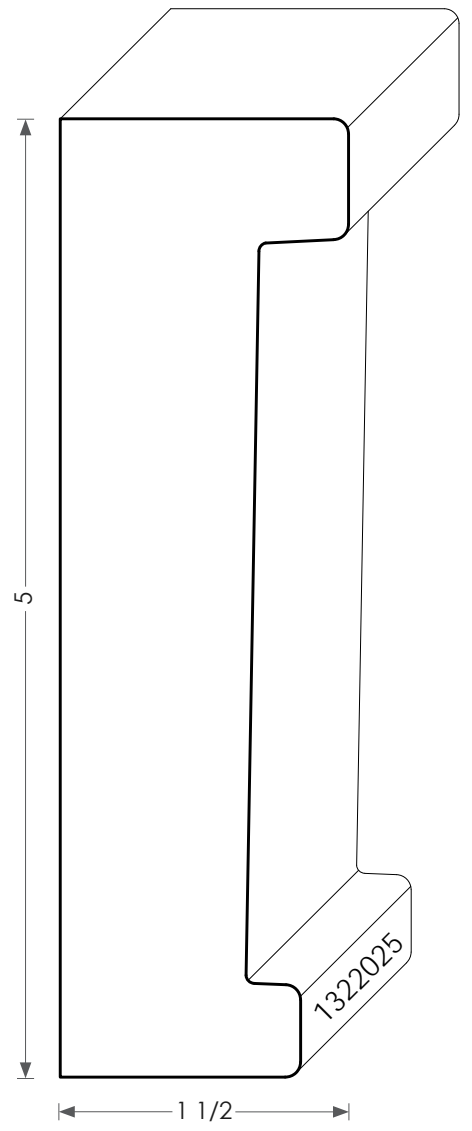
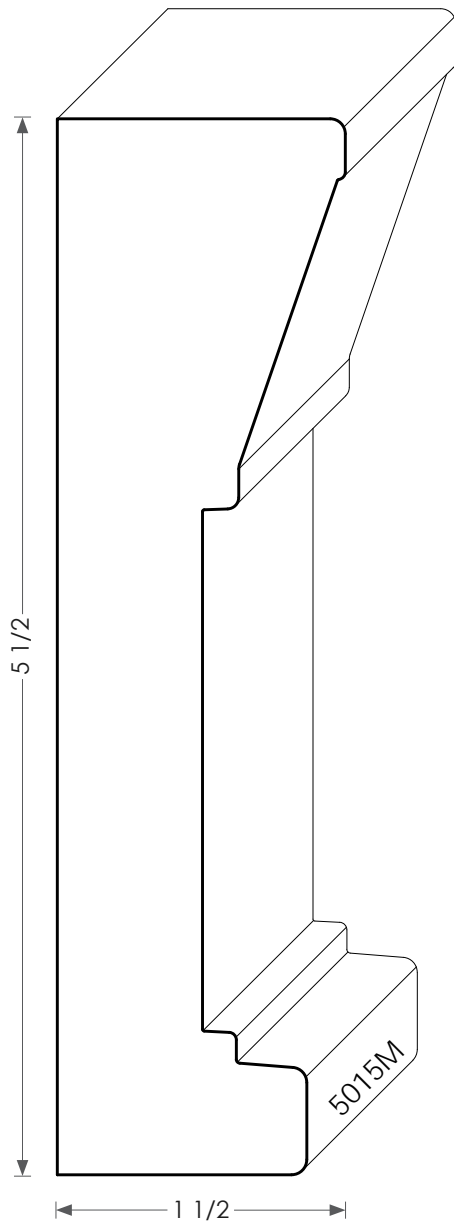
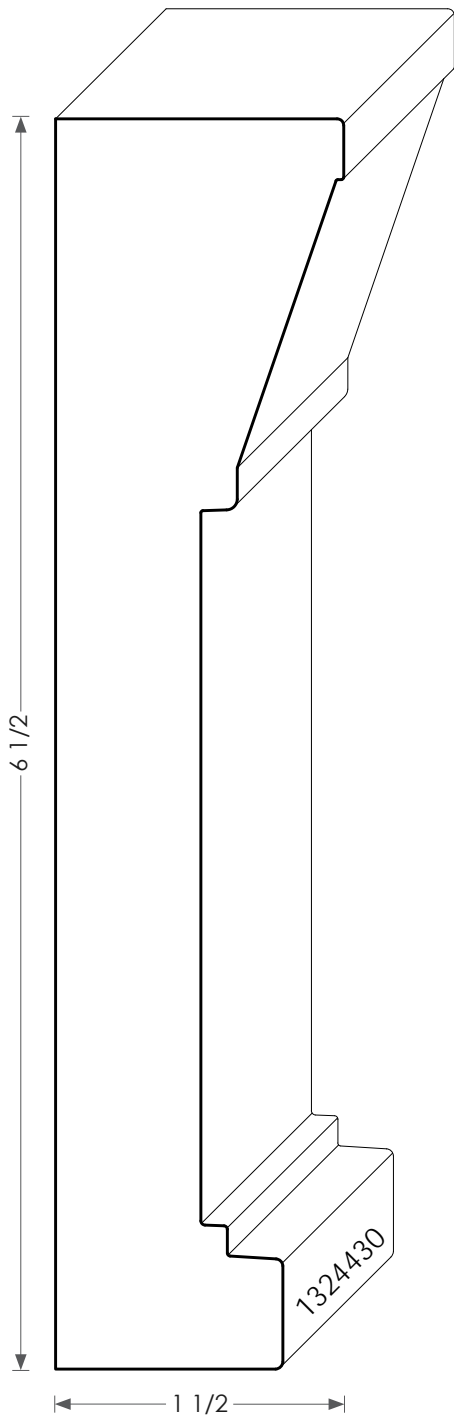
1-1/4T X 7-1/8W



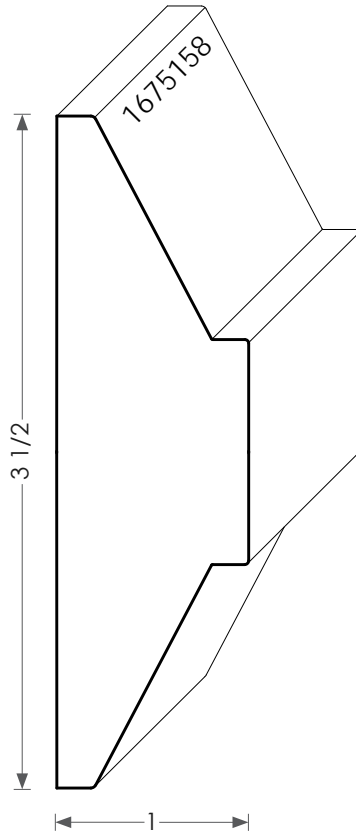
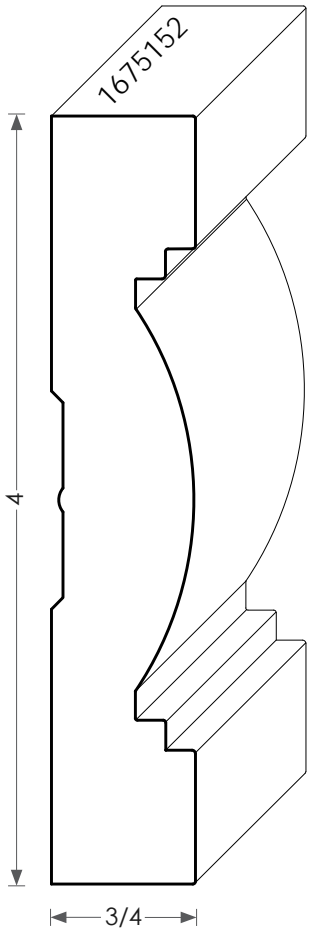
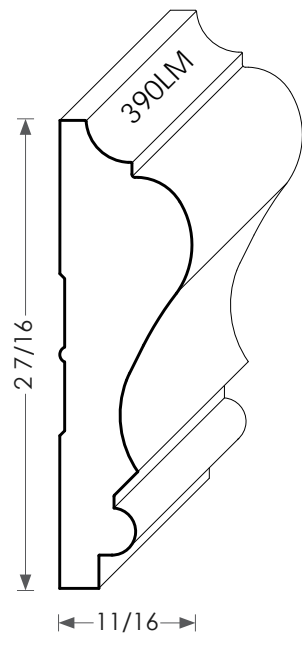
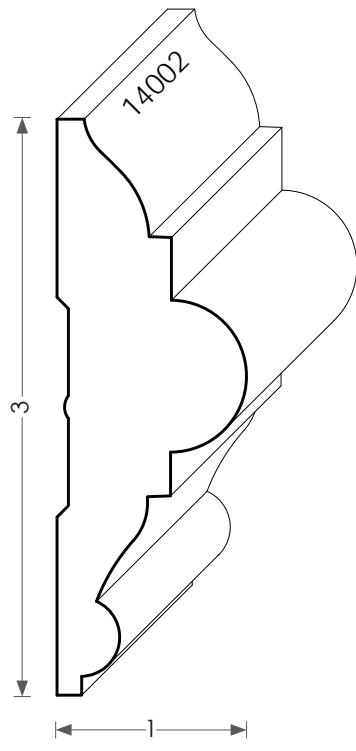
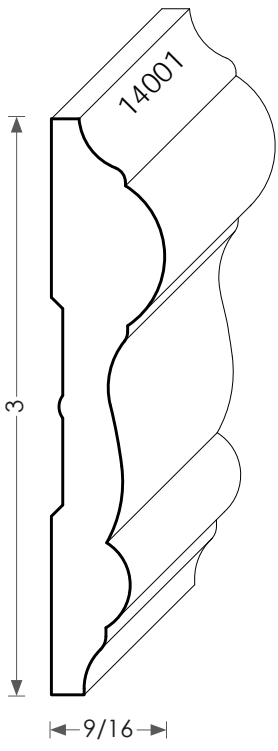
9073M

MDF ARCHITRAVE

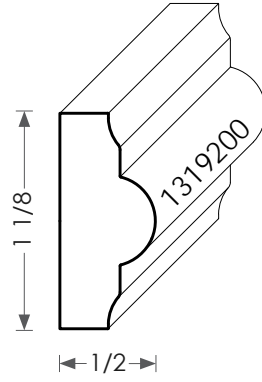
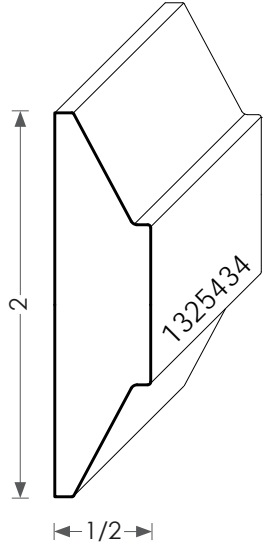




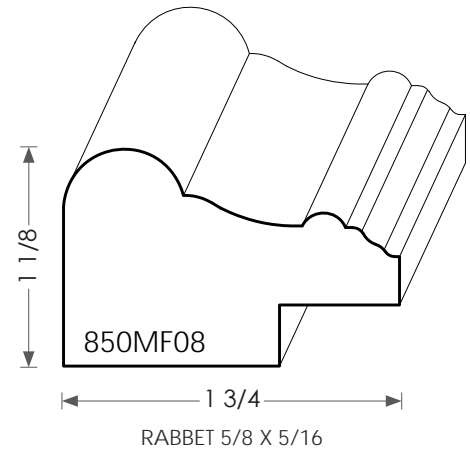
MDF CHAIR RAIL



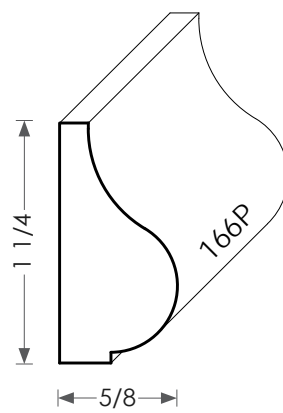
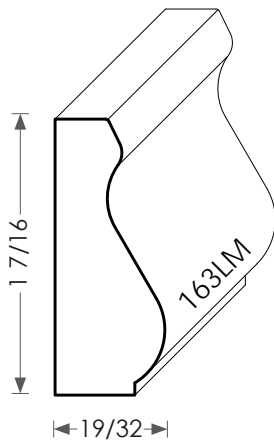
MDF PANEL MOLD



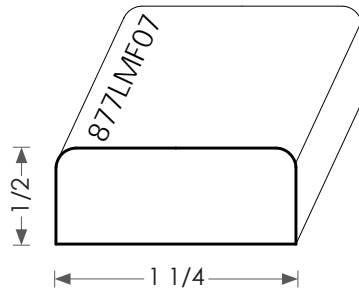
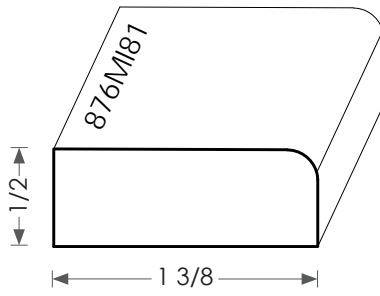
MDF WAINSCOT CAP



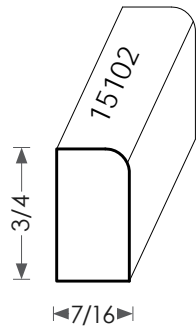
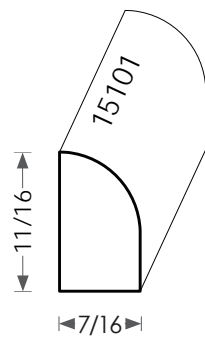
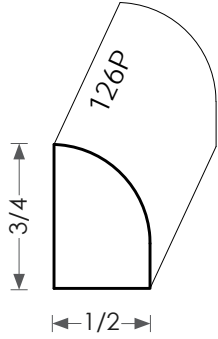
MDF BASE CAP



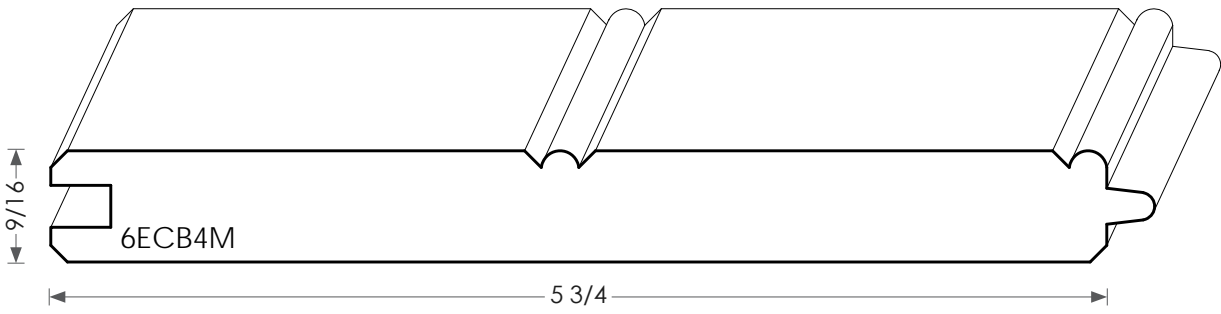
MDF DOOR STOP



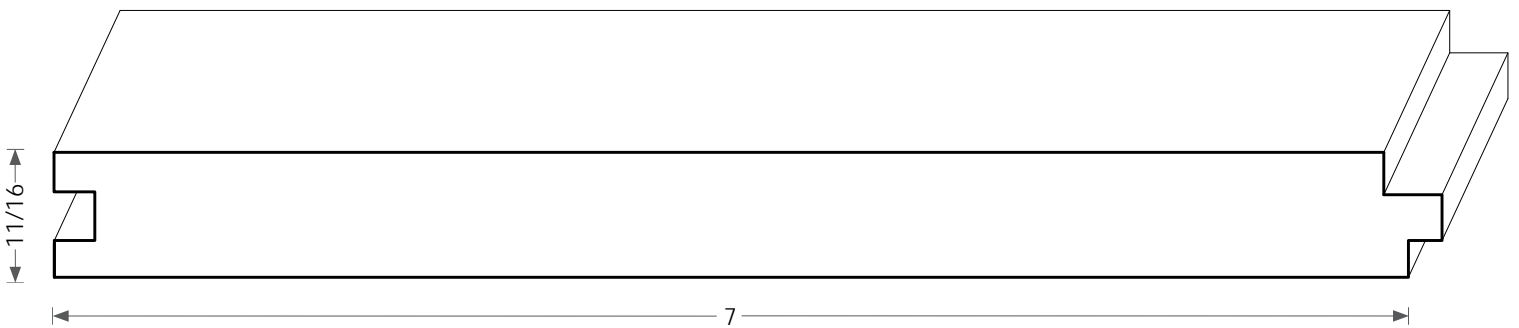
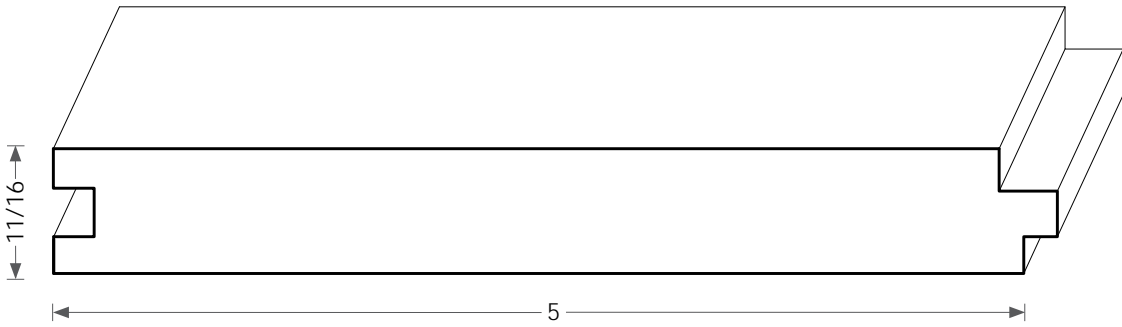
PRIMED SHOE



MDF WAINSCOT



MDF SHIPLAP





## COMMON MOULDING ASSEMBLIES

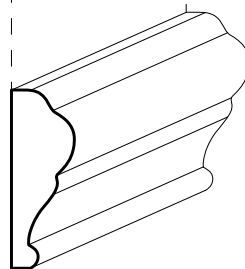
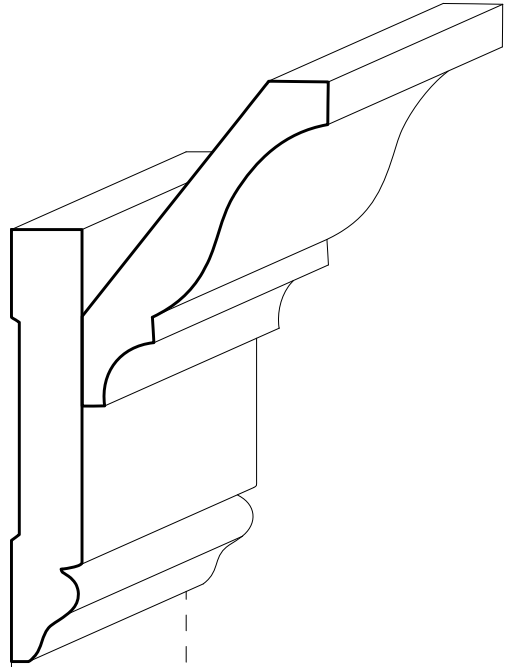
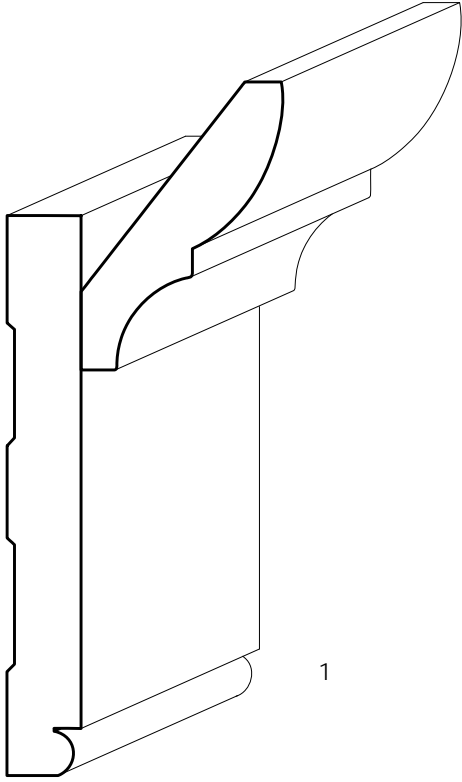
The following pages include design ideas for multi-piece crowns and cornices, beams, wainscot and wall paneling, columns, entablatures, door and window headers, and multi-piece casings.



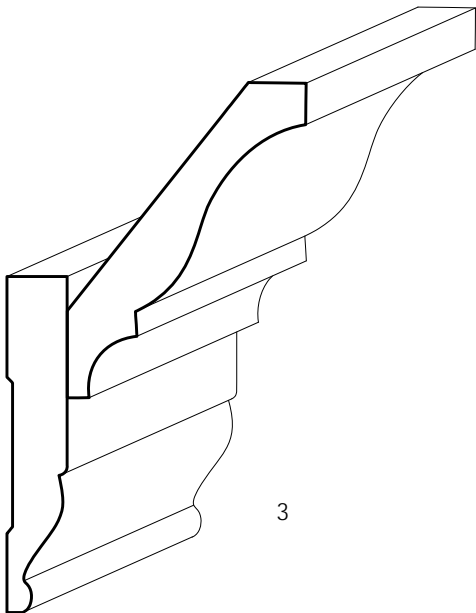
## CROWN BUILD-UP

Crown and baseboard can be combined to create a more dramatic and custom look.

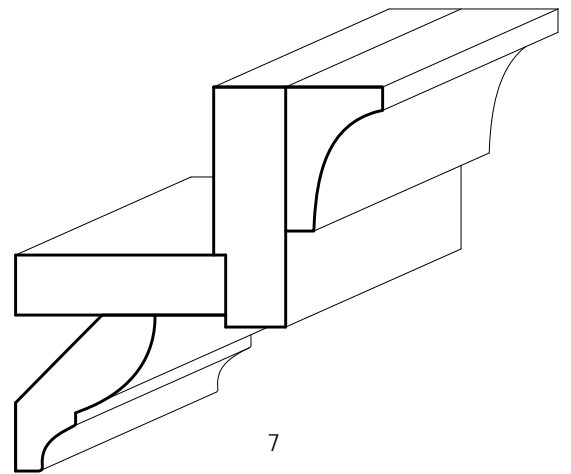
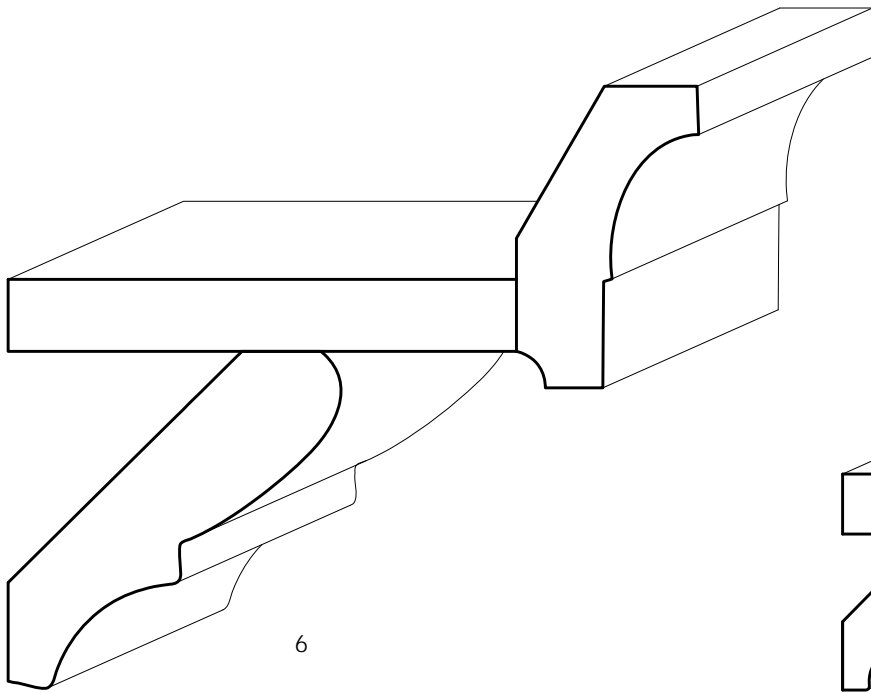
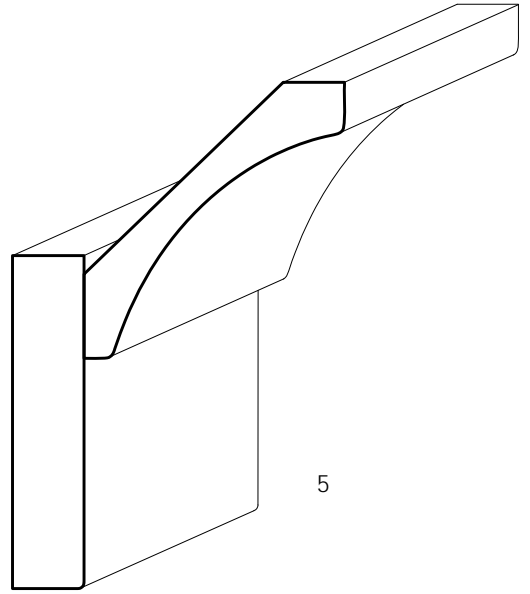
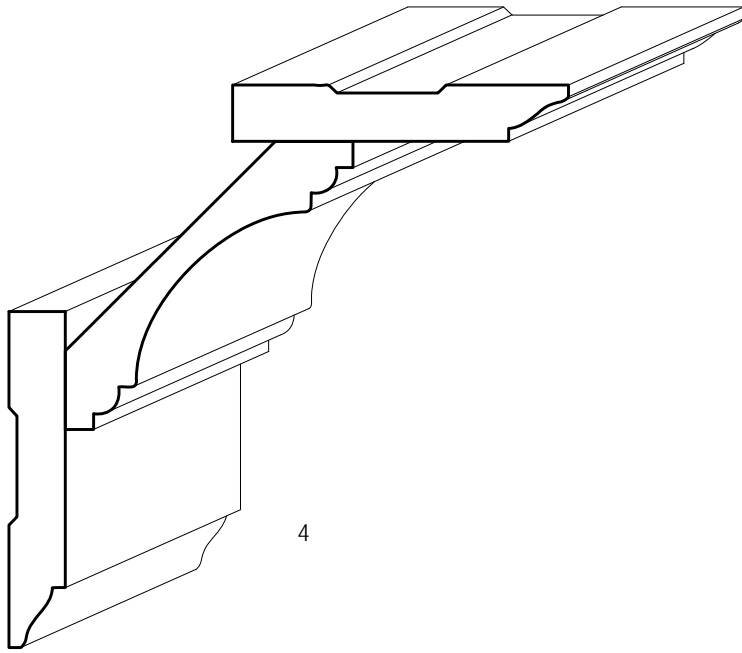
1. 1043 Casing, 3046 Crown
2. 2005 Baseboard, 3005 Crown, 4005 Chair Rail
3. 2010 Baseboard, 3005 Crown
4. 2029 Baseboard, 3034 Crown
5. E1E S4S [3/4 x 3-1/2], 3080 Crown
6. 3020 Crown, 3075 Crown, S4S [3/4 x 5-3/8]
7. 3038 Crown, 8074 Mold, S4S [3/4 x 2-1/4], S4S [3/4 x 2-1/2]
8. Custom Build
9. Custom Build
10. 3053 Crown, 5023 Small Mold
11. 3079 Crown, 3223 Crown, 5233 Panel Mold, S4S [3/4 x 3-1/8]
12. 3004 Crown, 3054 Crown, 8033 Mold, S4S Cove [3/4 x 2-1/2], S4S [3/4 x 2]
13. 2014 Baseboard, 8039 Mold
14. 1157 Casing, 5254 Panel Mold, 7015 Backband, 8033 Mold
15. 2012 Baseboard, 3054 Crown
16. 3034 Crown, 3078 Crown, S4S Cove [3/4 x 3-1/4], S4S [3/4 x 3]
17. 5254 Panel Mold, 7015 Backband, 7030 Backband, 8033 Mold
18. 2032 Baseboard, 3048 Crown, 5031 Small Mold, 8029 Mold [1-3/4 x 2-3/4]
19. 3039 Crown, 5230 Panel Mold
20. 3005 Crown, S4S [3/4 x 2-1/2], Custom Mold [13/16 x 4-1/2], Custom Mold [1-3/16 x 6-5/8], Custom Mold [1/2 x 3/4], Corbel [3-1/2D x 4-3/4H x 2W]

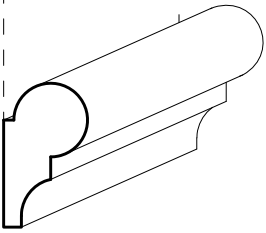
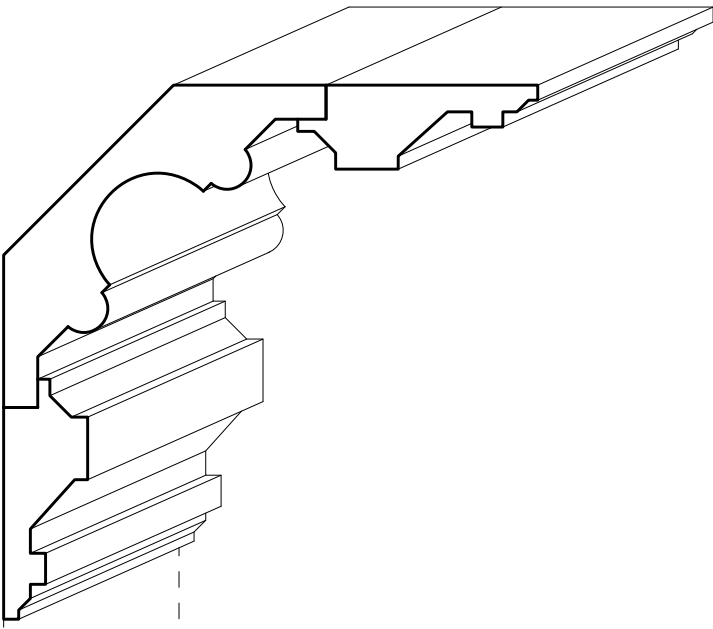


2

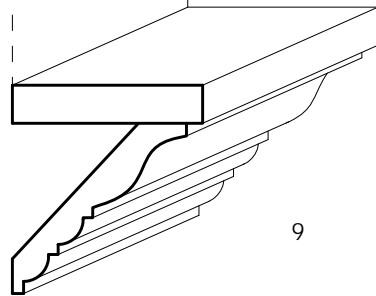
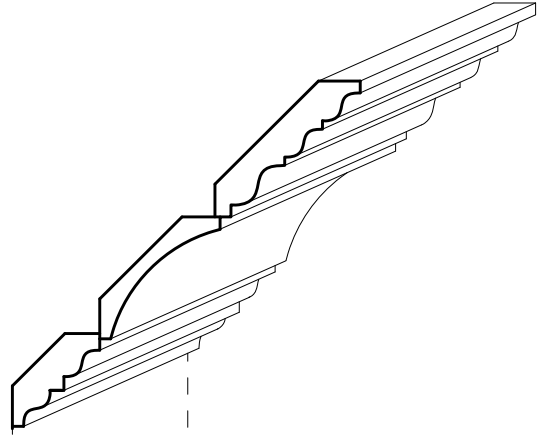


3

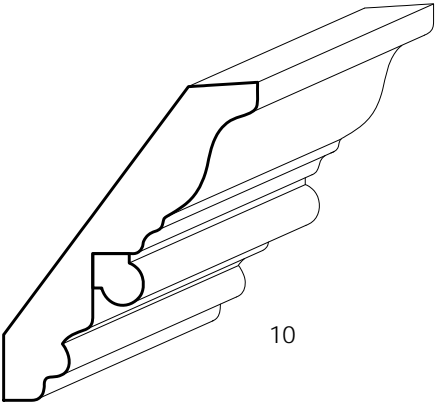




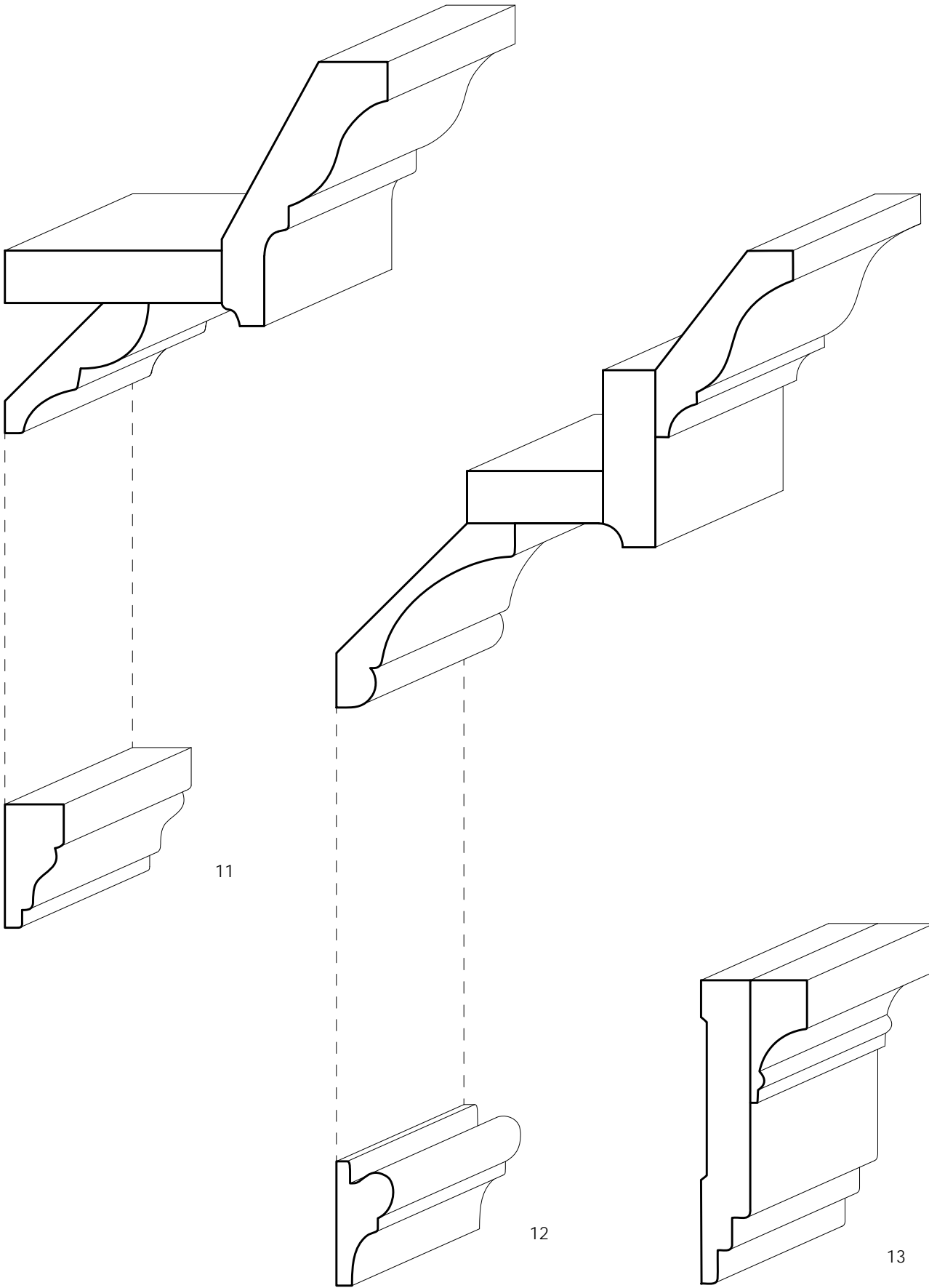
8



9



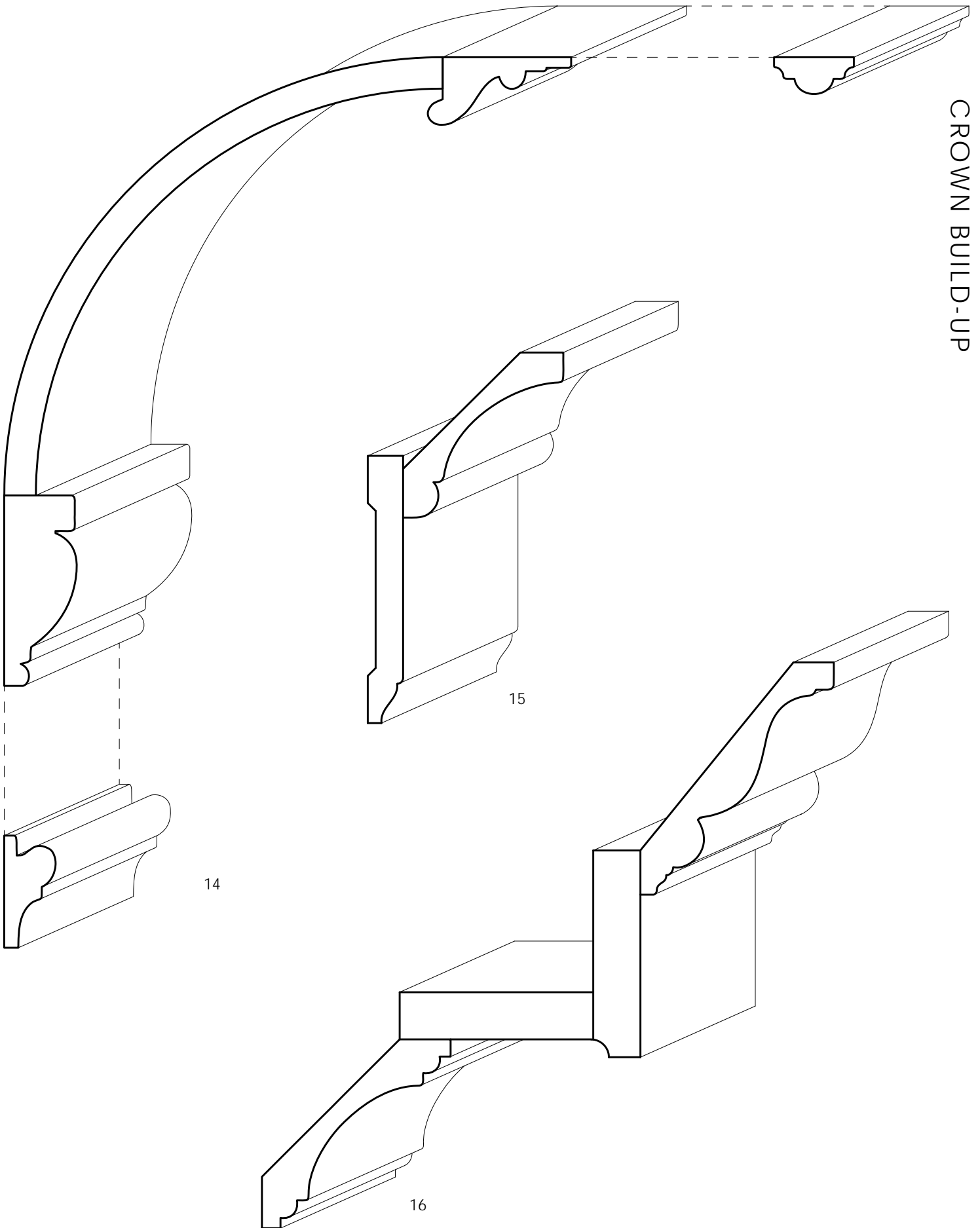
10

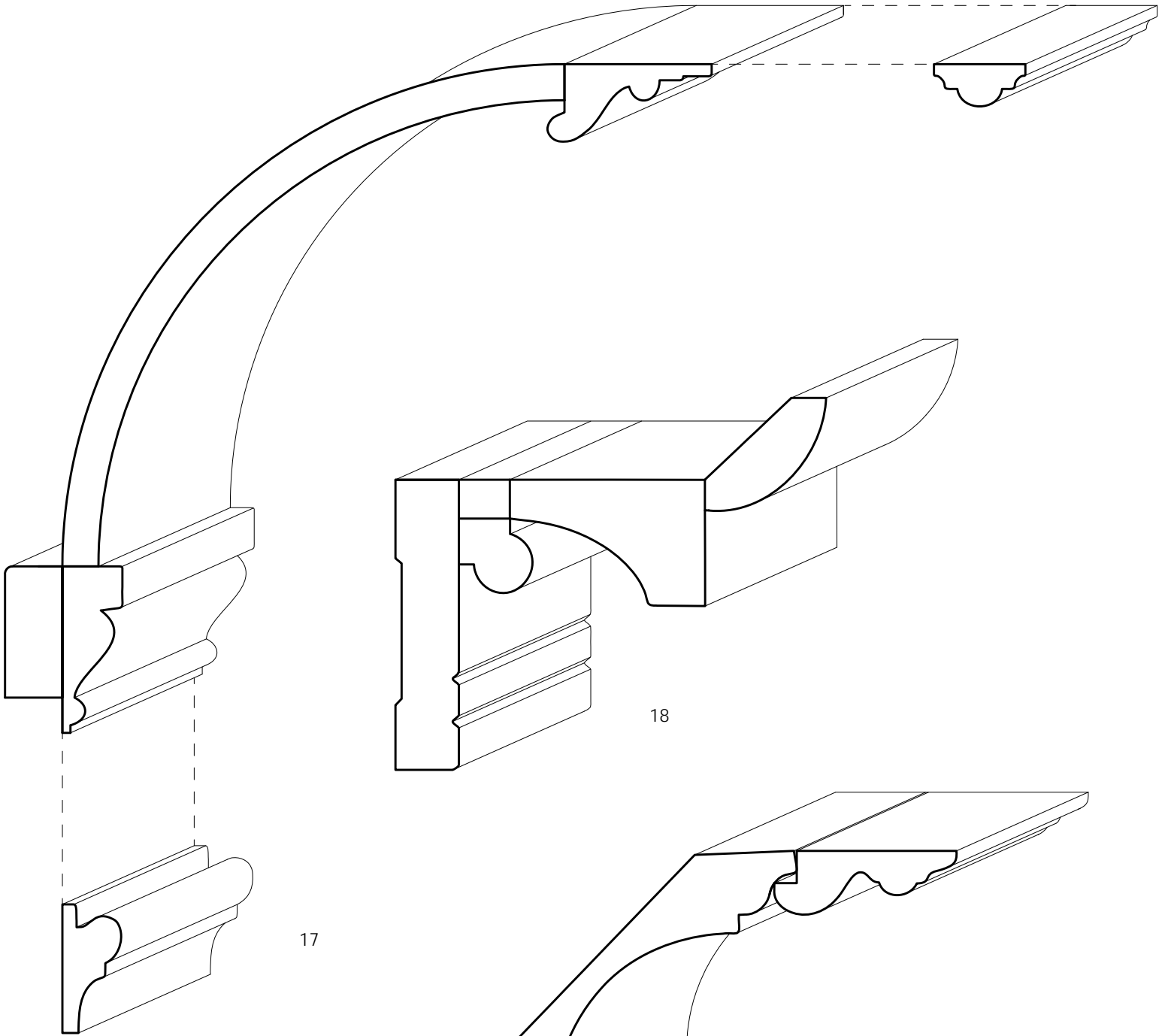


11

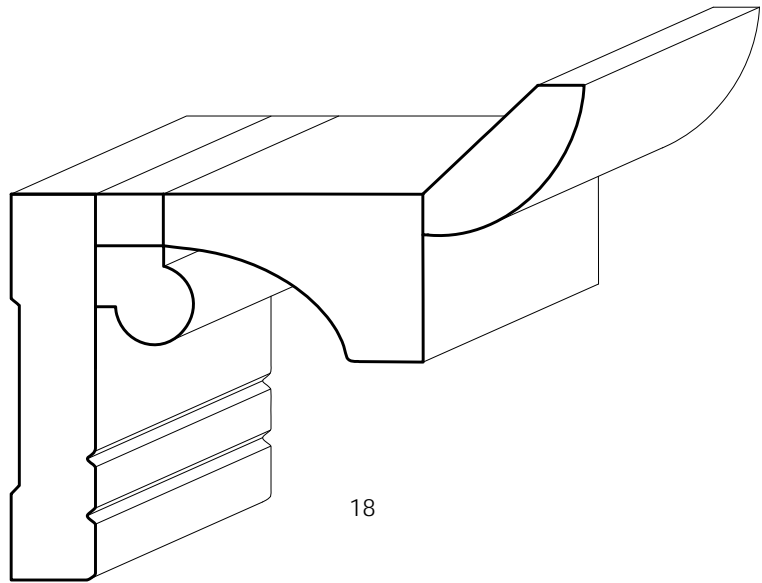
12

13

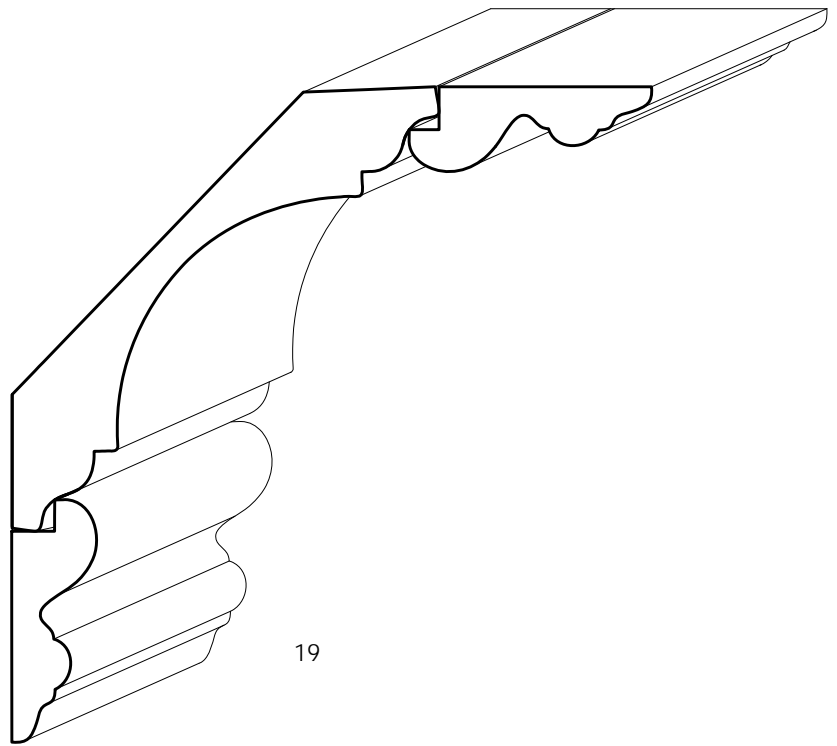




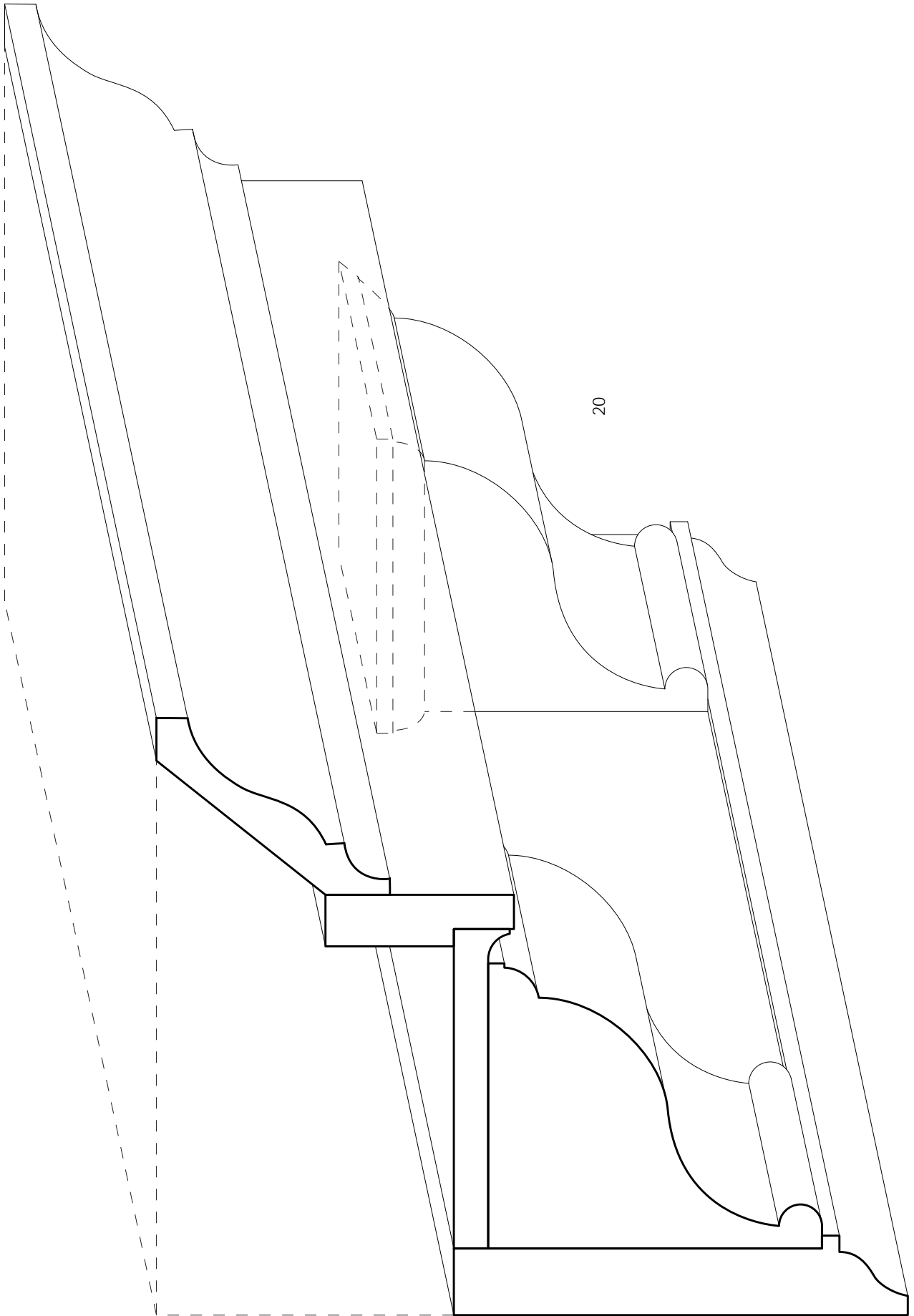
17



18



19

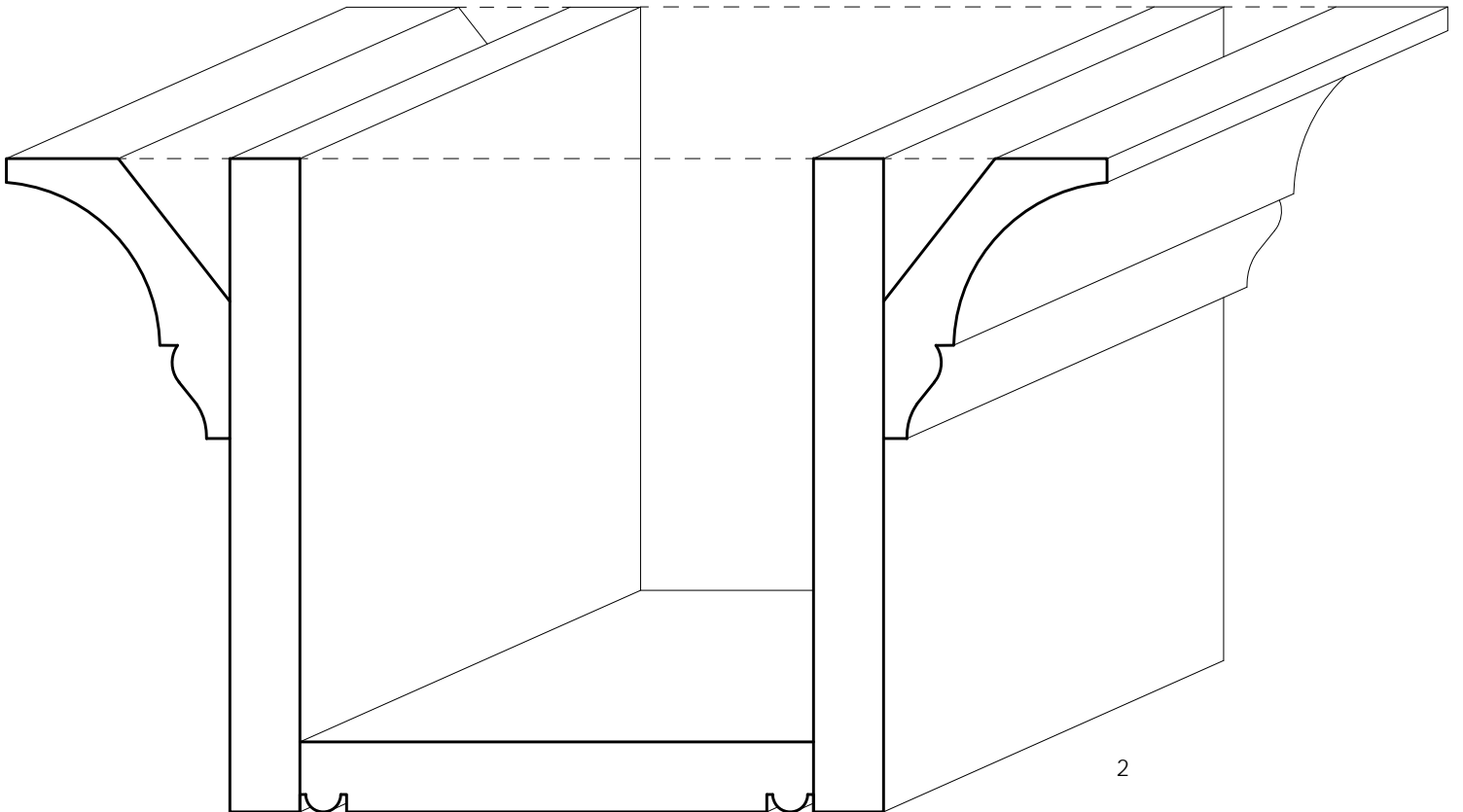
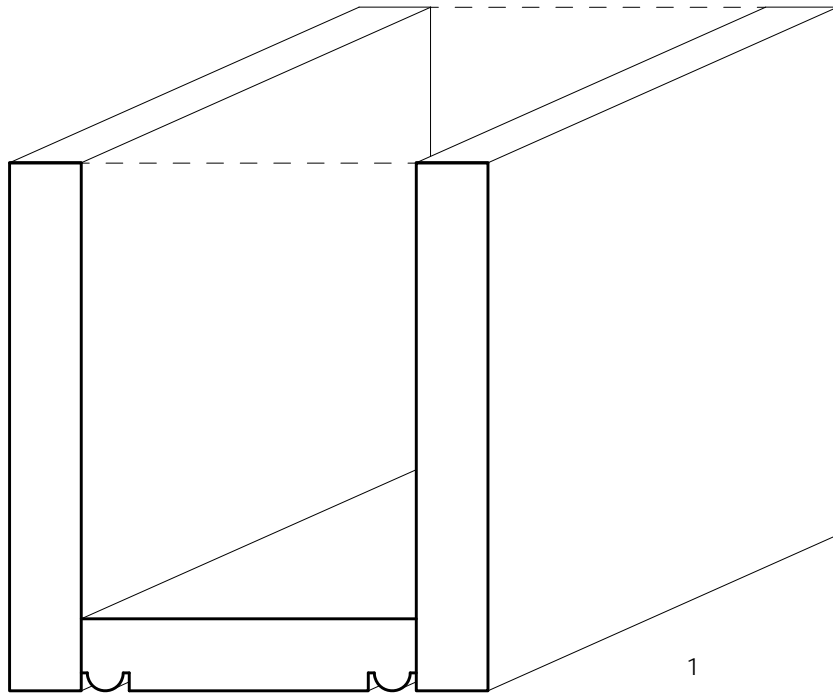


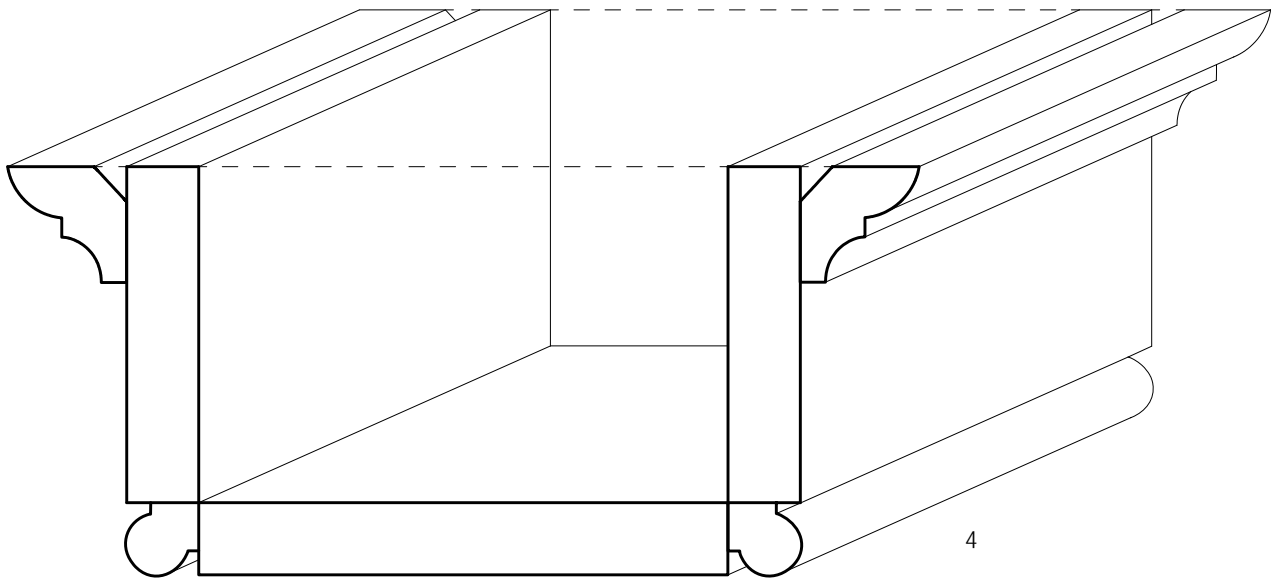
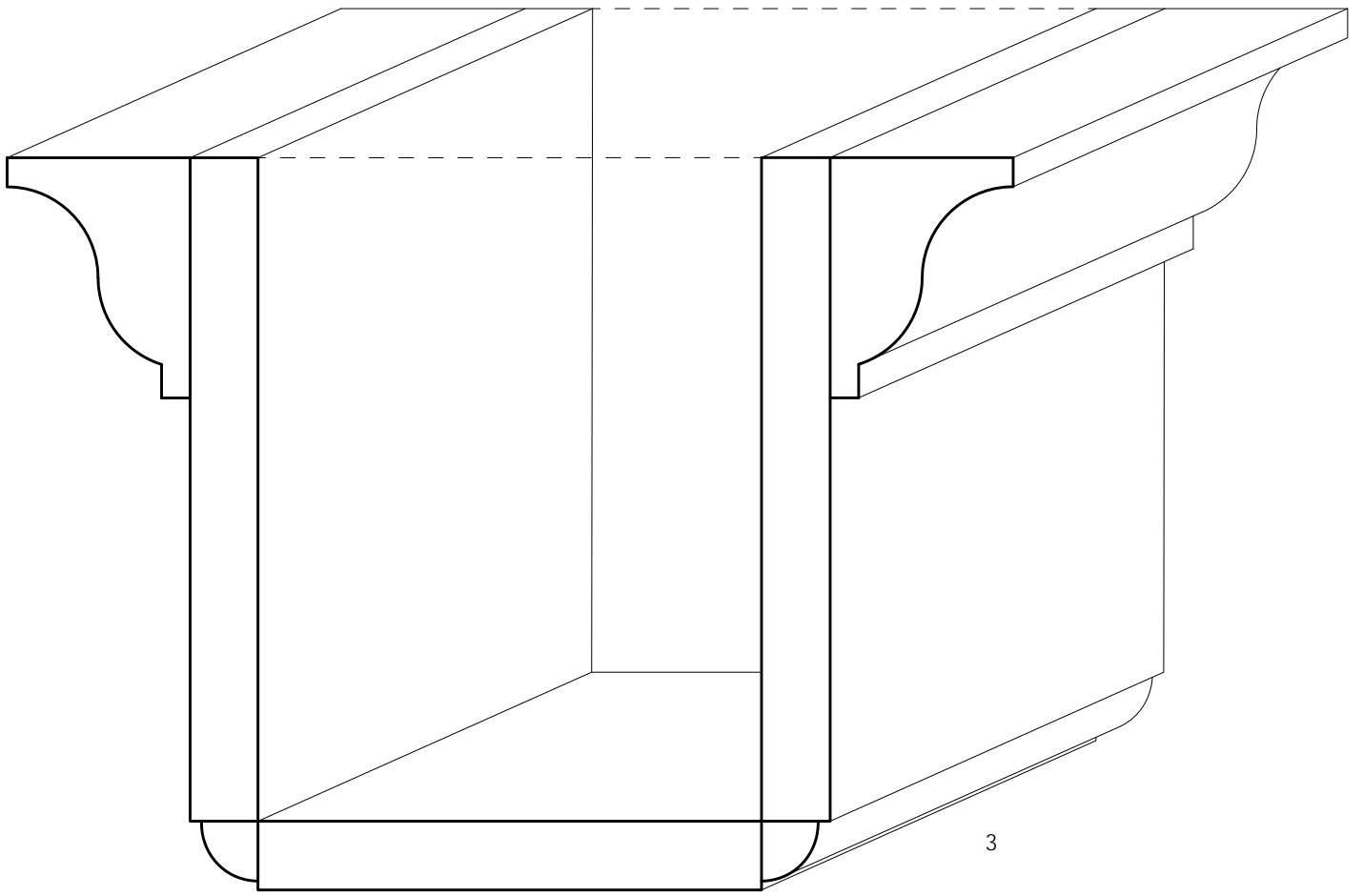


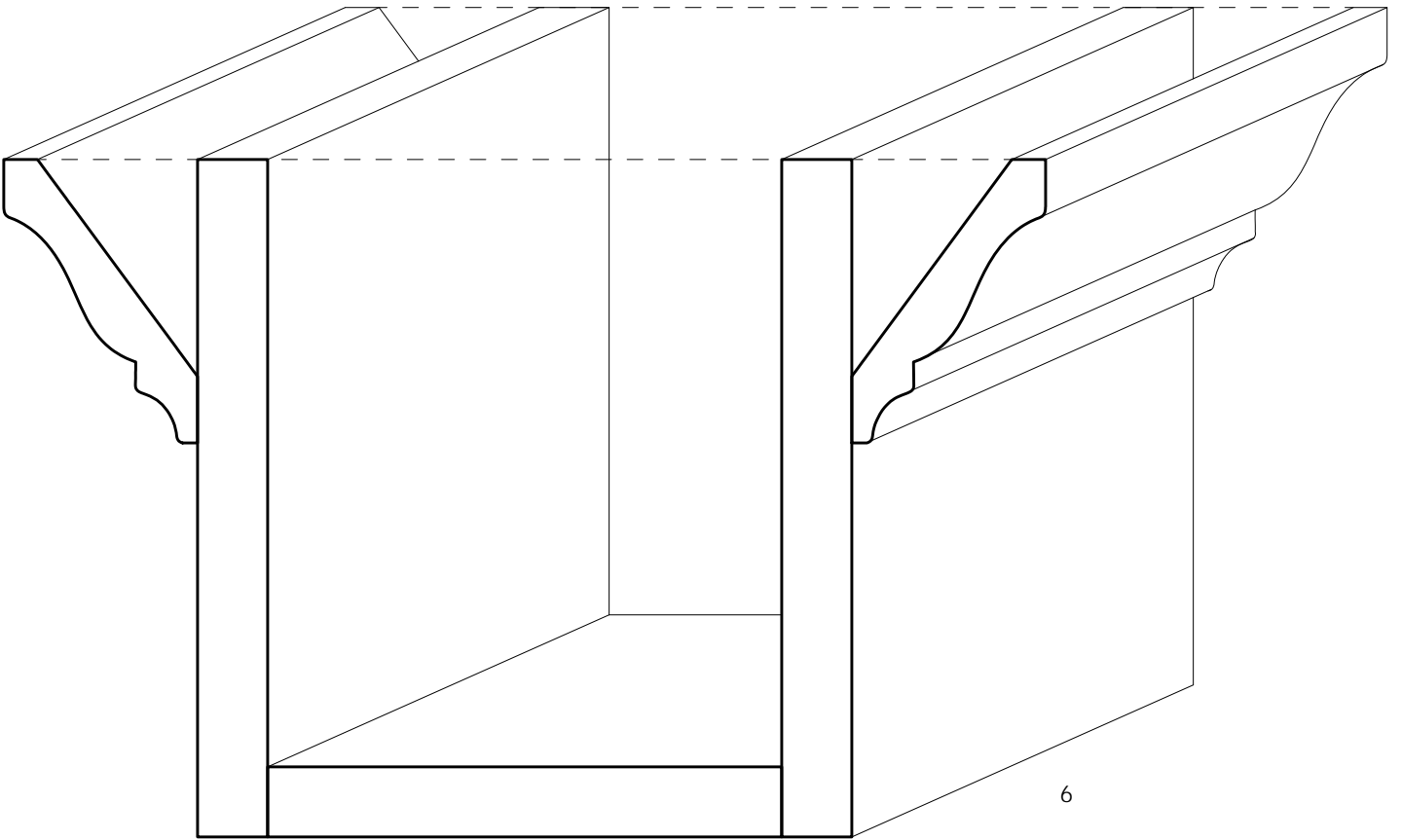
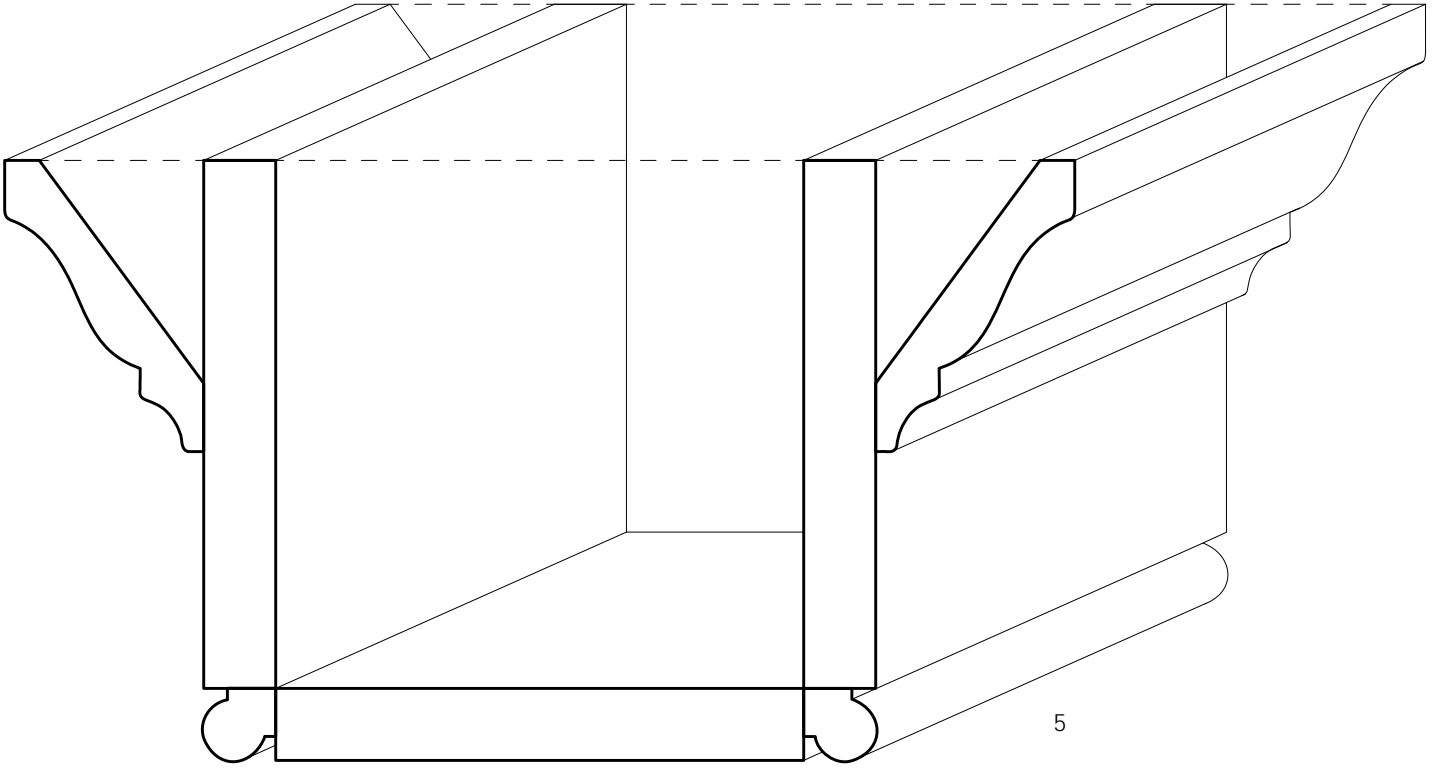
## BEAMS

Beams, when used on ceilings or walls, add depth, dimension, and character to any room.

1. 1 x 6 [sides], 1 x 4 [bottom]
2. 3317 [top corner], 1 x 8 [sides], 1 x 6 [bottom]
3. 5020 [bottom corners], Custom Mold [2 x 2-5/8], 1 x 8 [sides], 1 x 6 [bottom]
4. 3001 [top corners], 5007 [bottom corners], 1 x 4 [sides], 1 x 6 [bottom]
5. 3005 [top corners], 5007 [bottom corners], 1 x 6 [sides], 1 x 6 [bottom]
6. 3005 [top corners], 1 x 8 [sides], 1 x 6 [bottom]

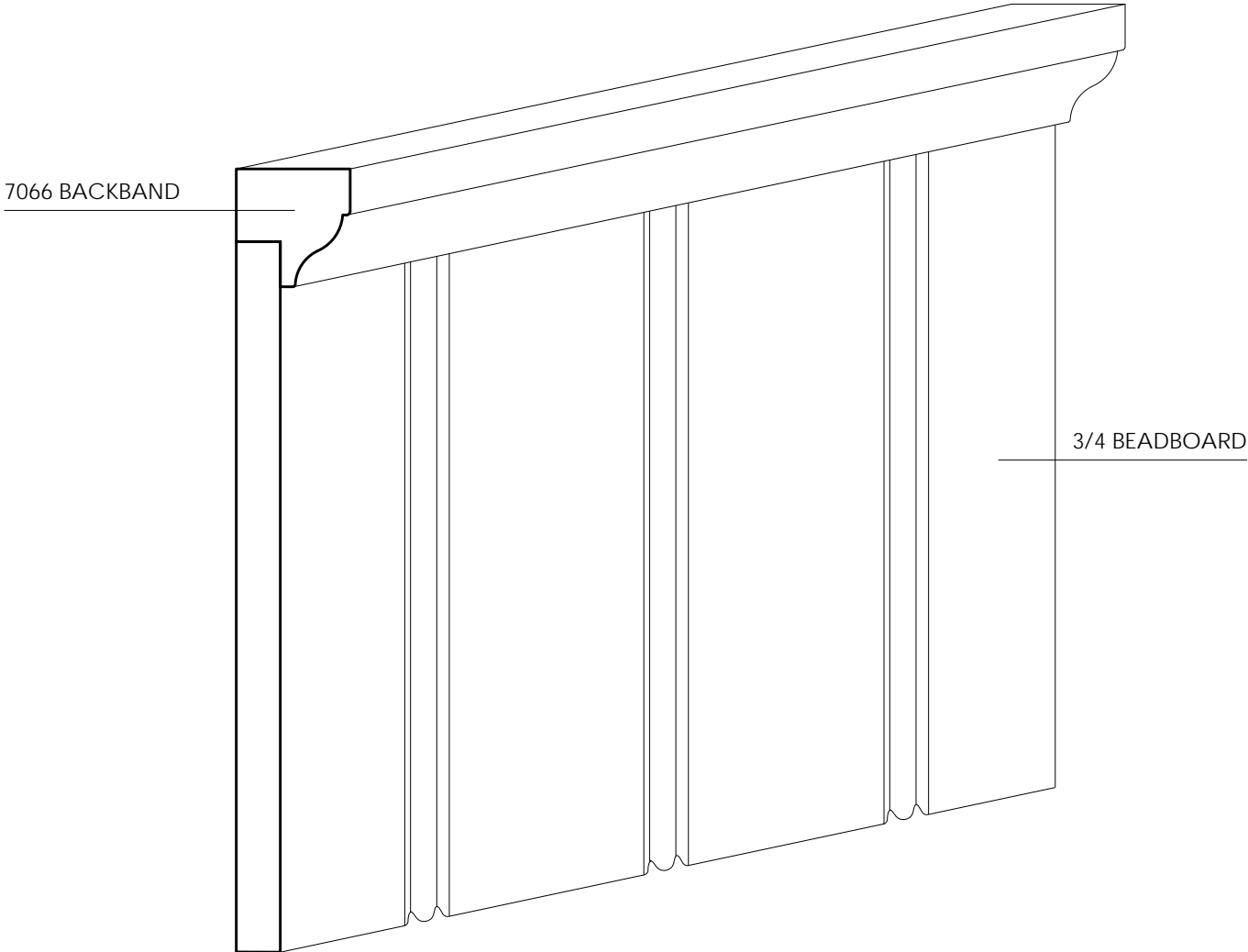




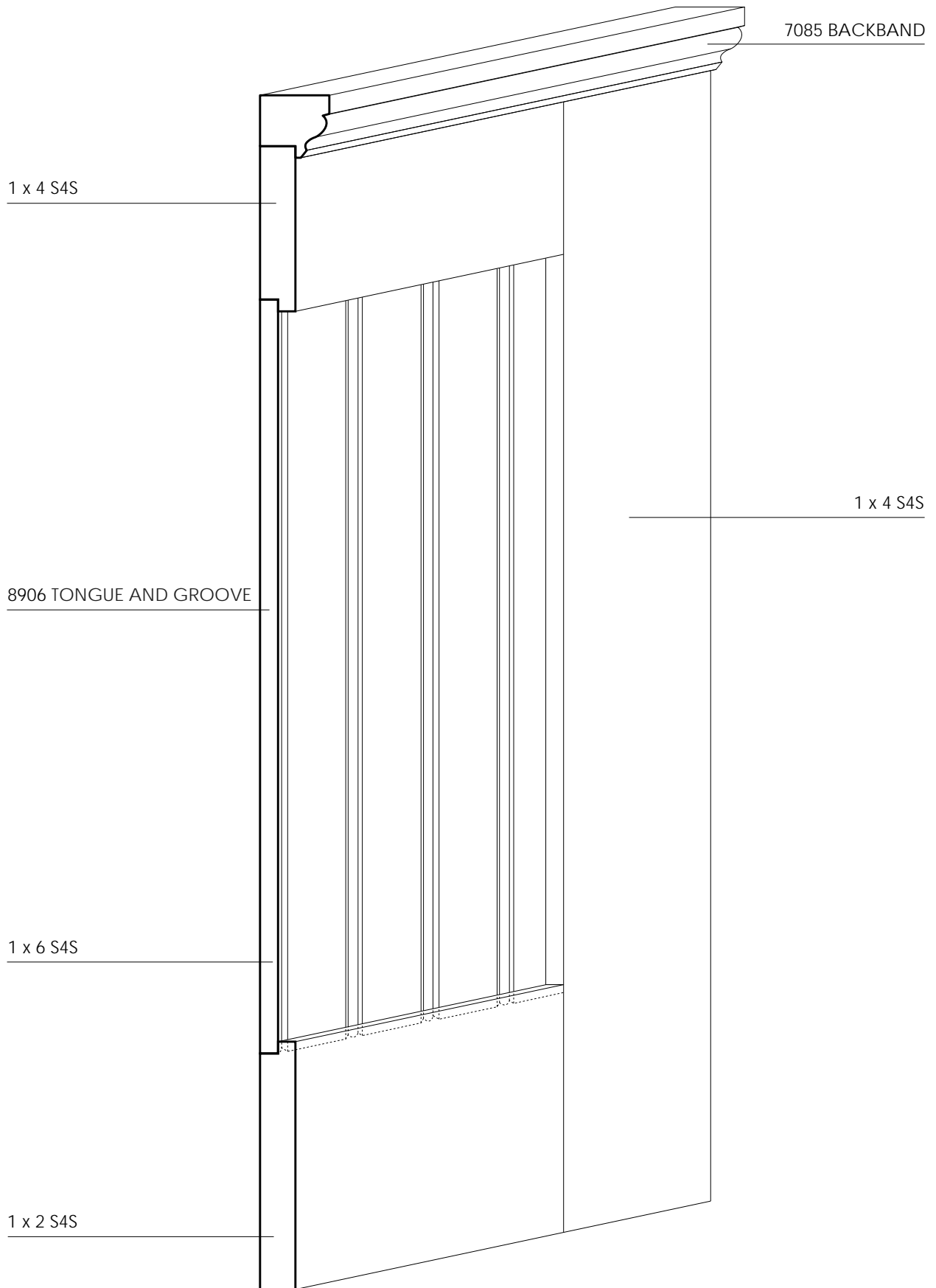


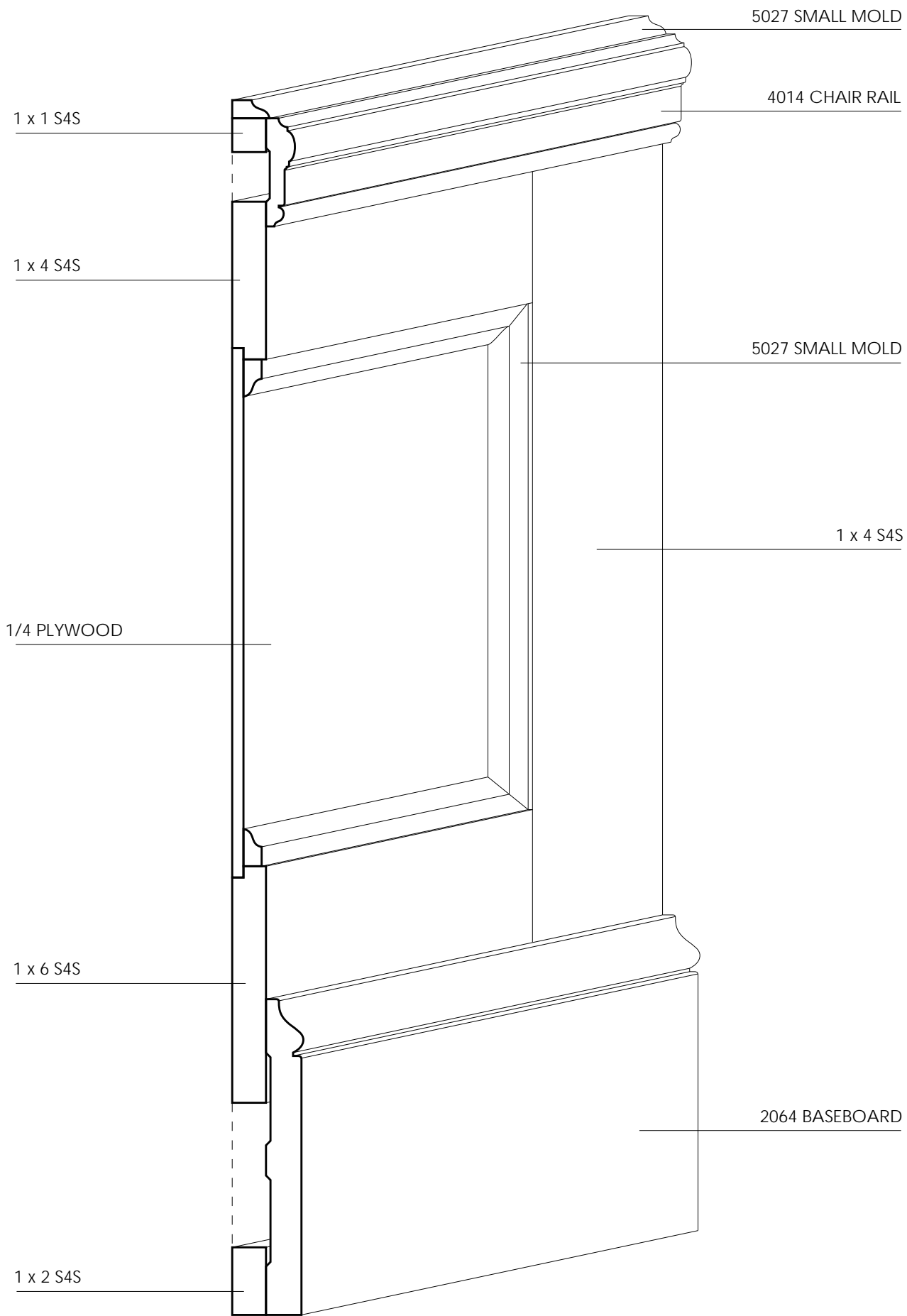
# WAINSCOT & WALL PANELING

Wainscoting and wall paneling styles are extremely versatile, accommodating a variety of architectural styles and room configurations, and can be combined with short walls, pillars, and pilasters at room openings.

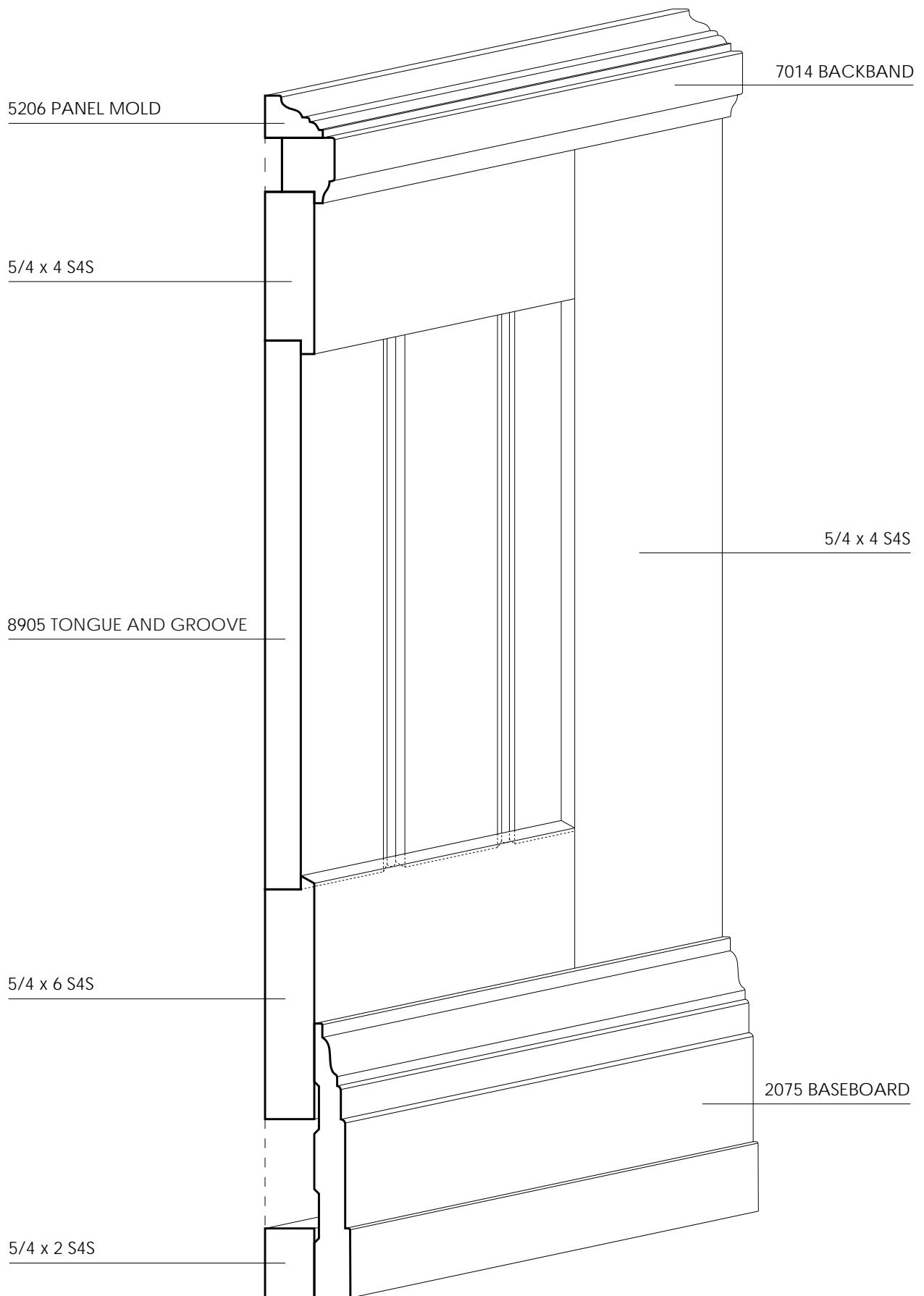


WAINSCOT & PANELING

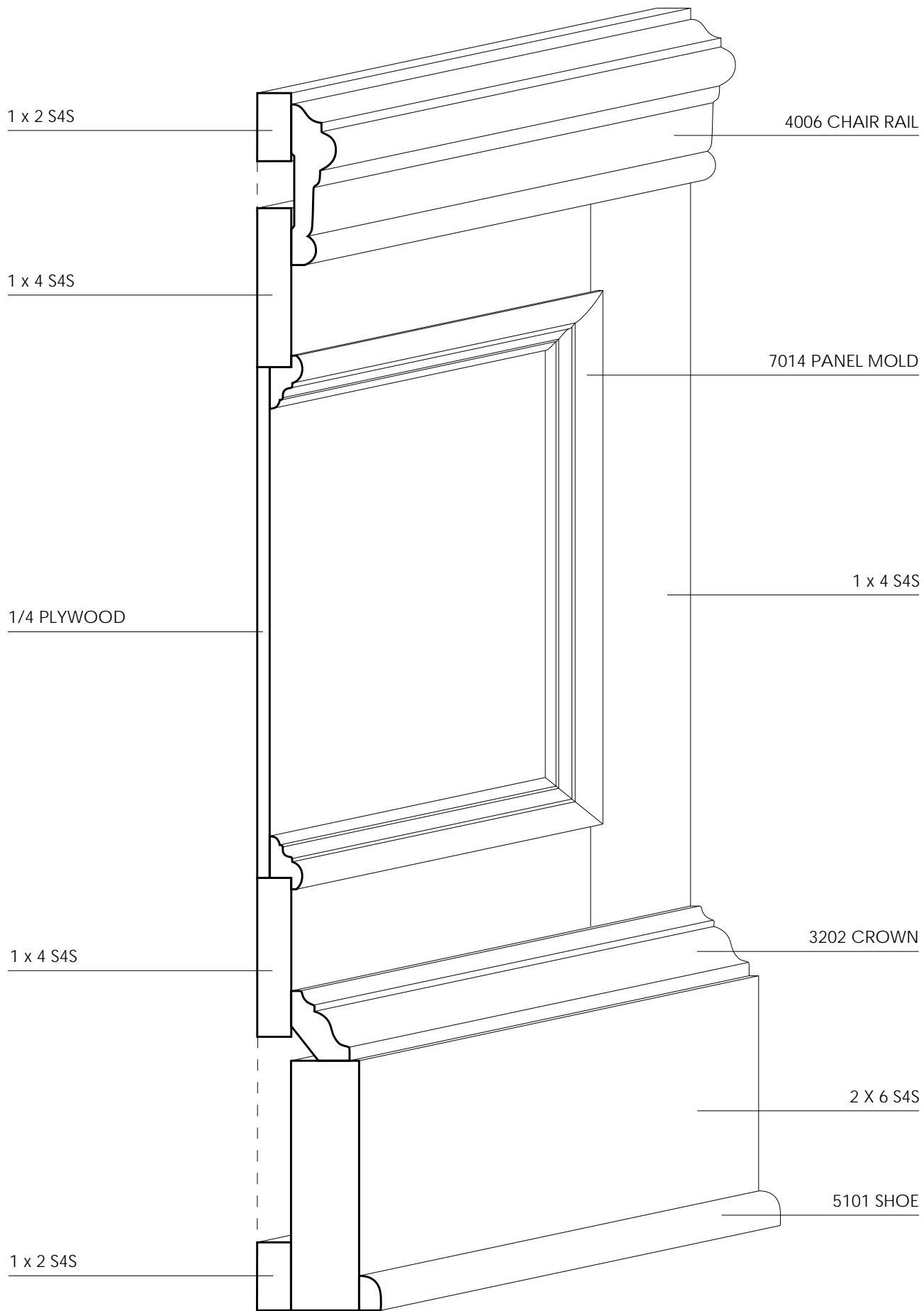




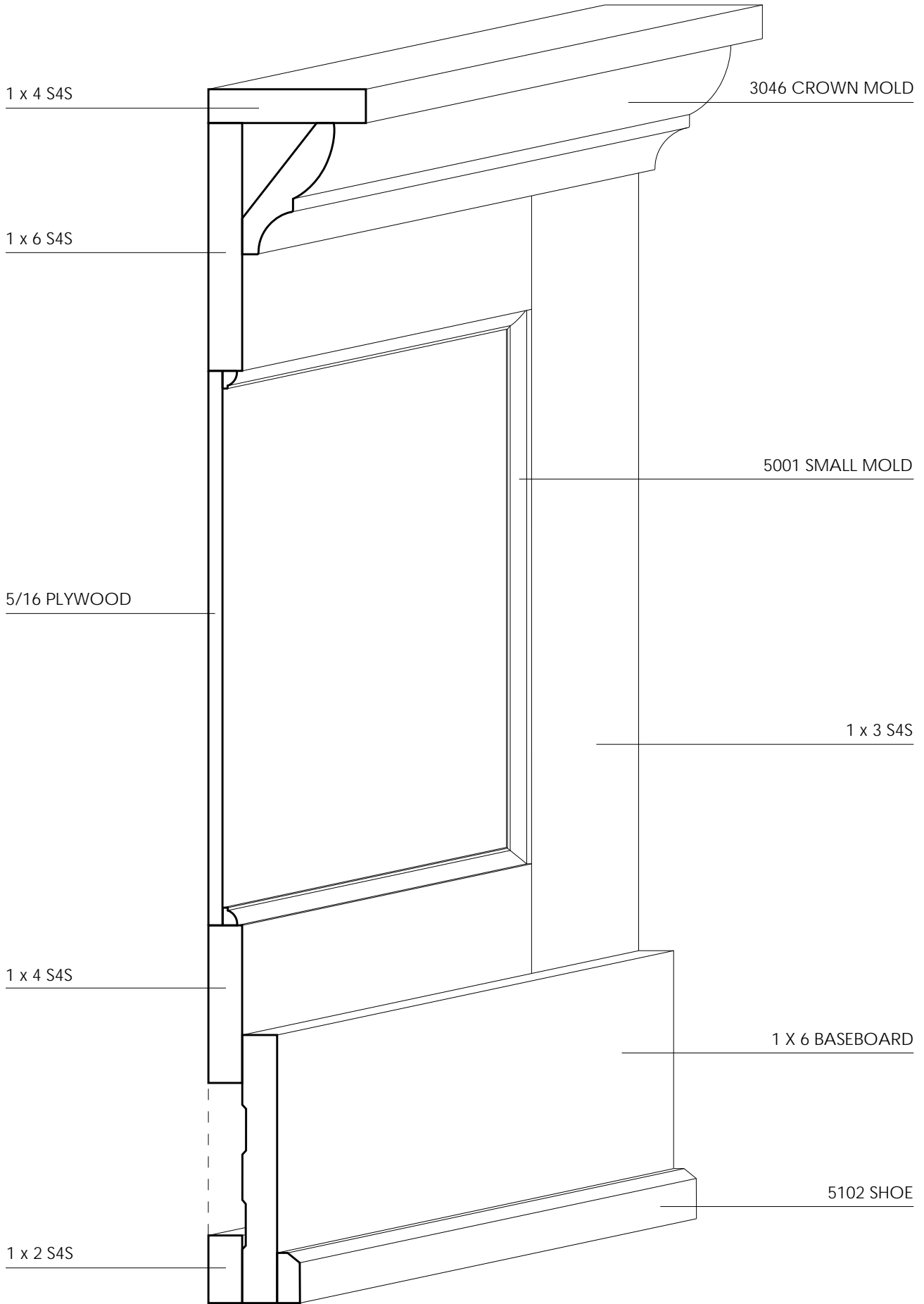
WAINSCOT & PANELLING

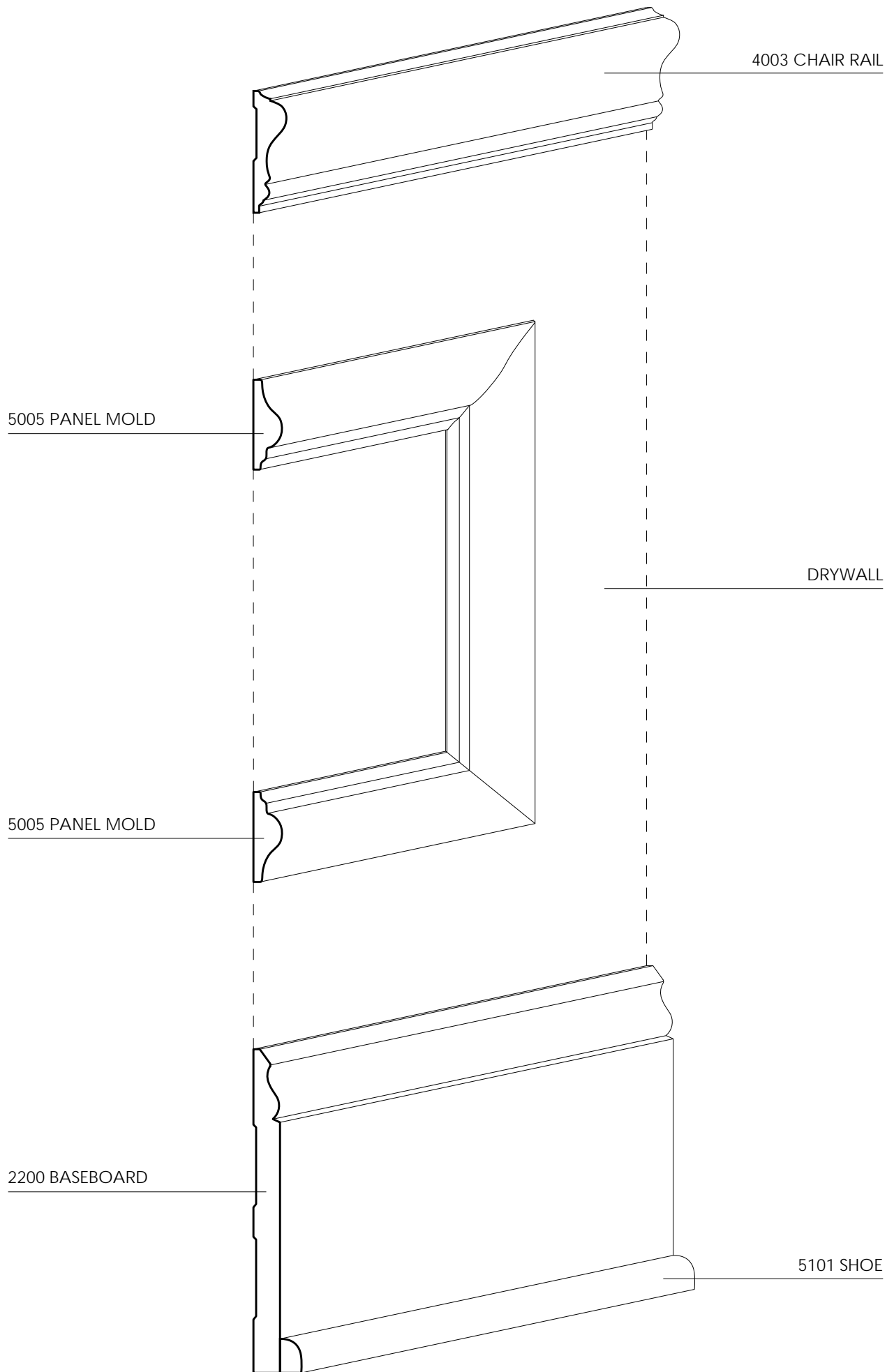




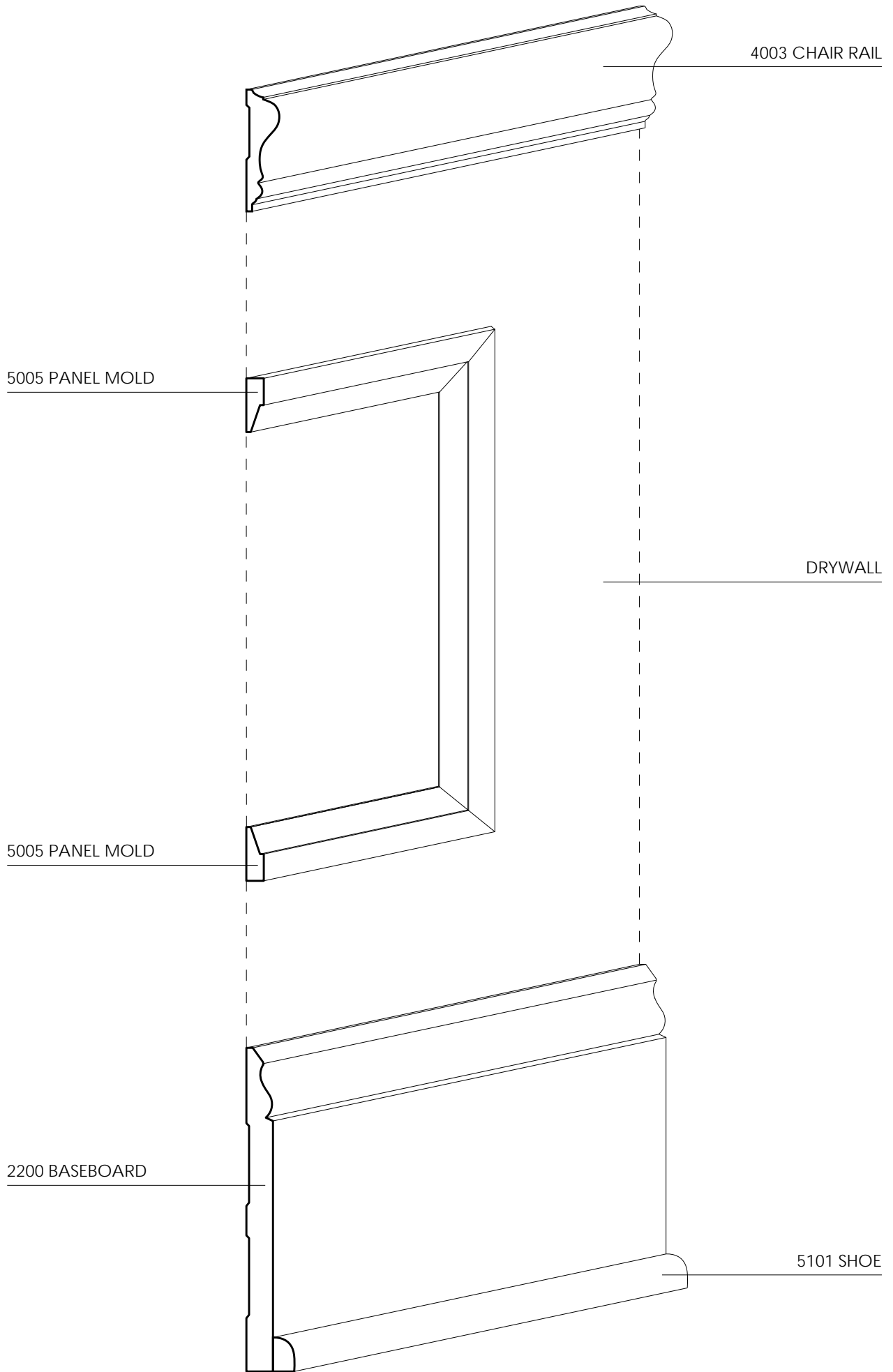


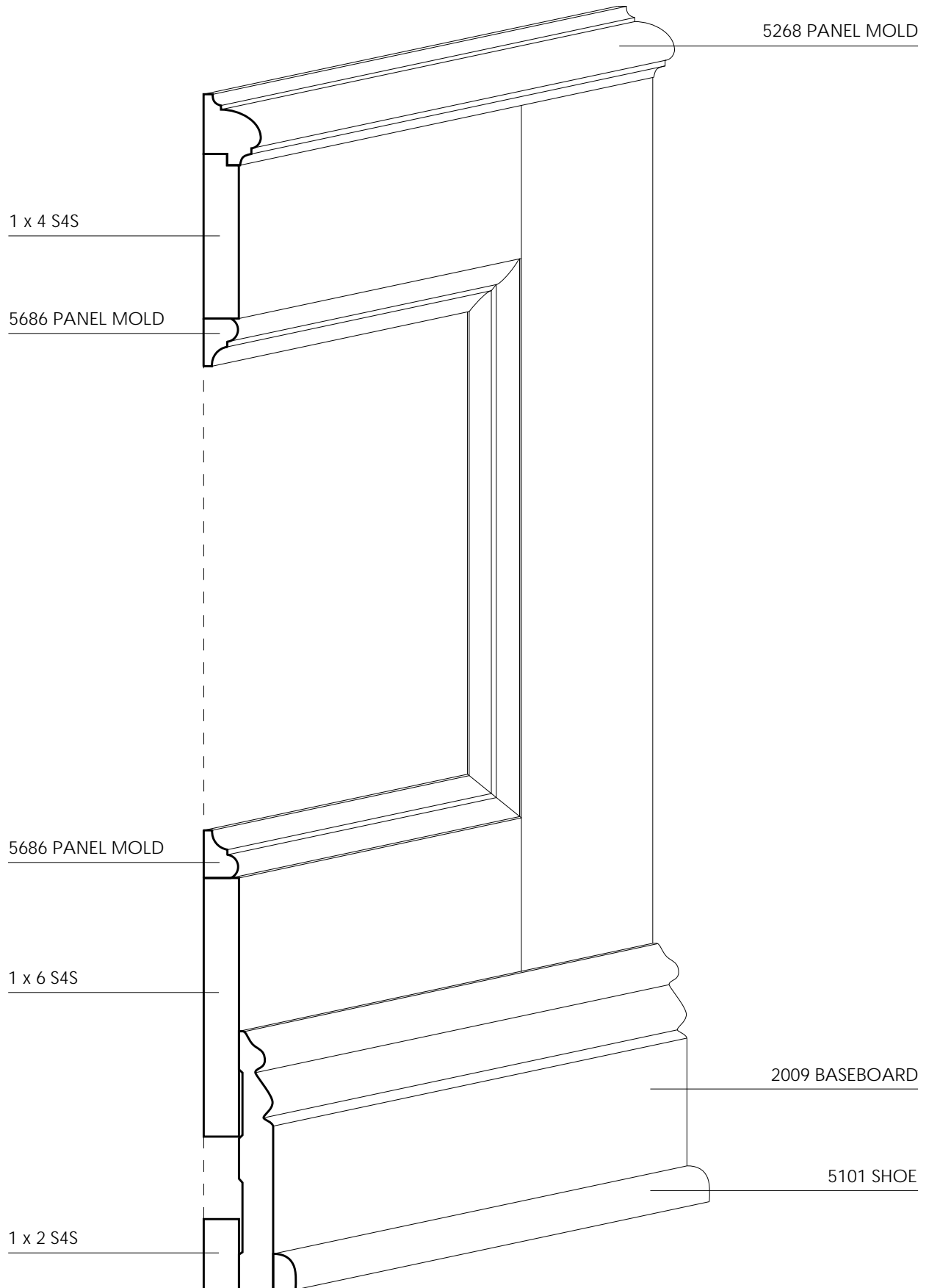
WAINSCOT & PANELLING



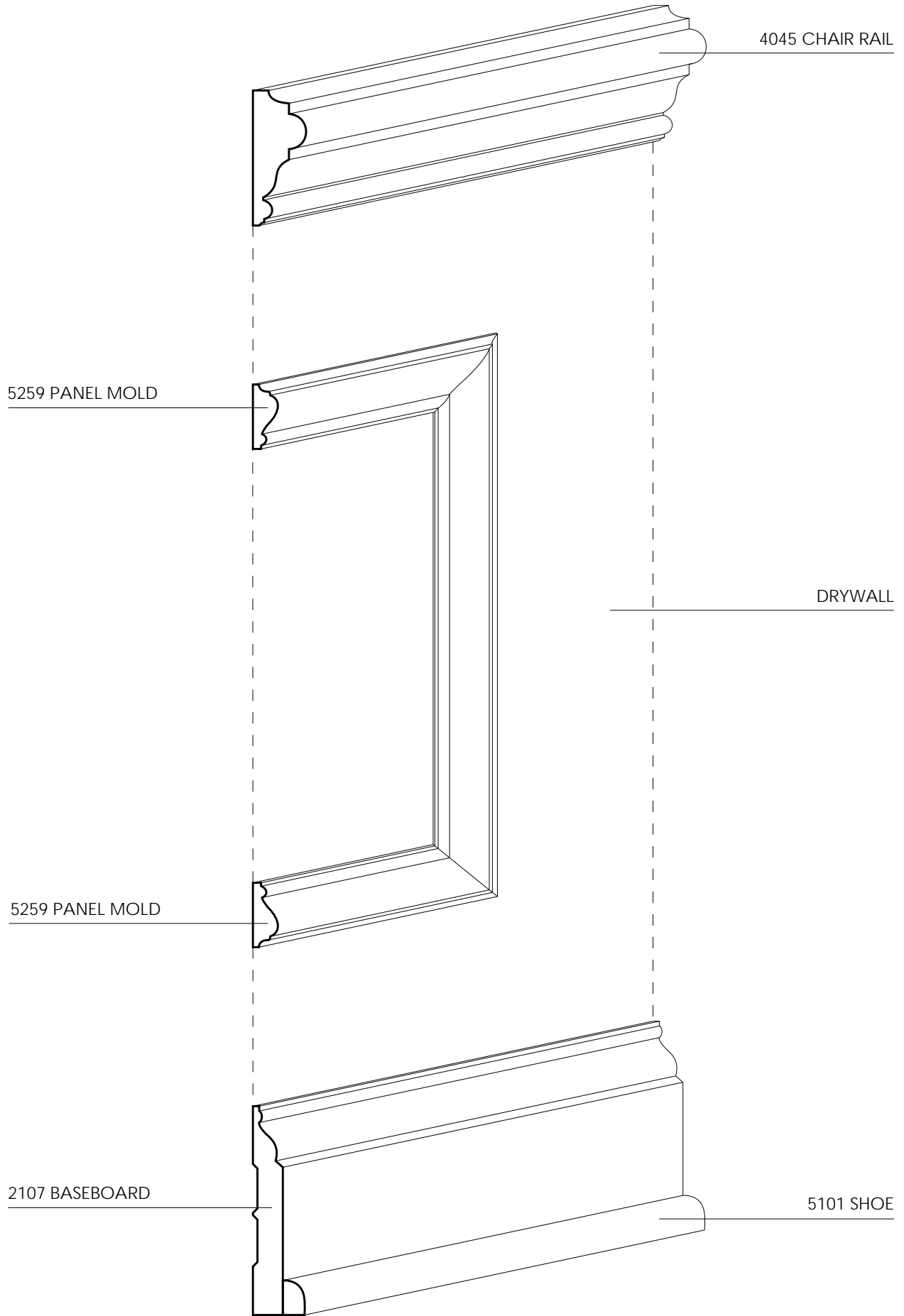


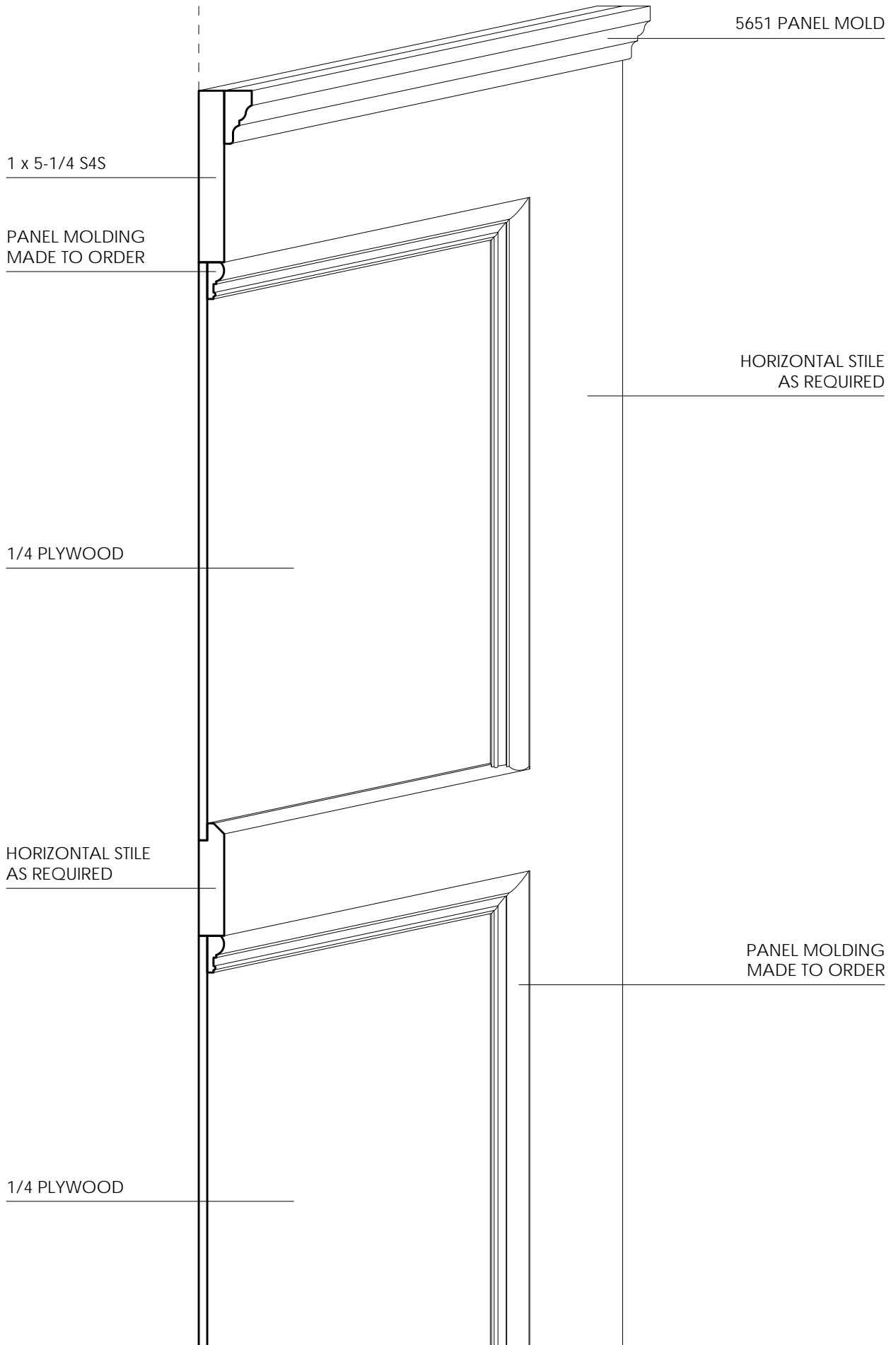
WAINSCOT & PANELLING



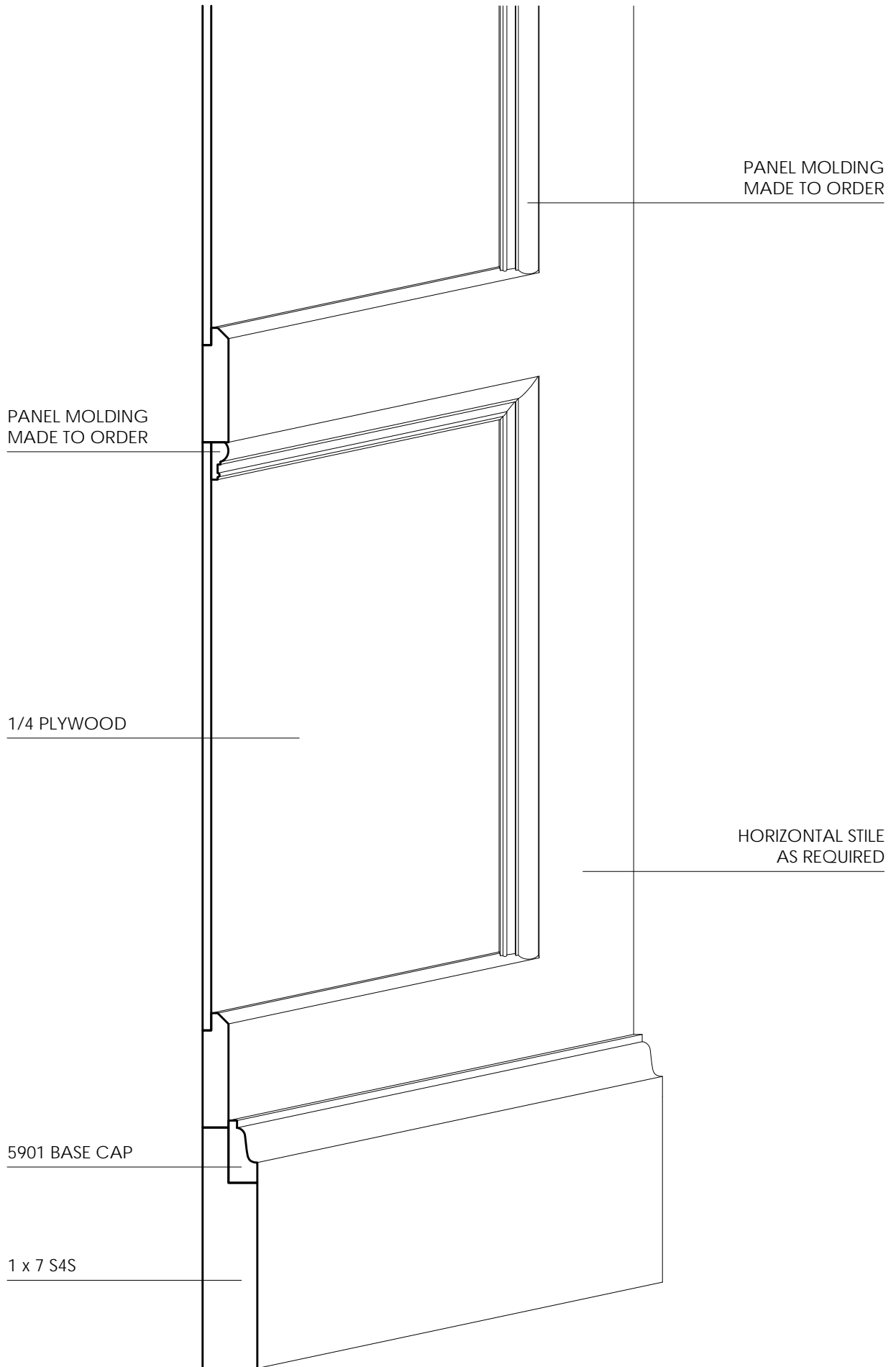


WAINSCOT & PANELLING

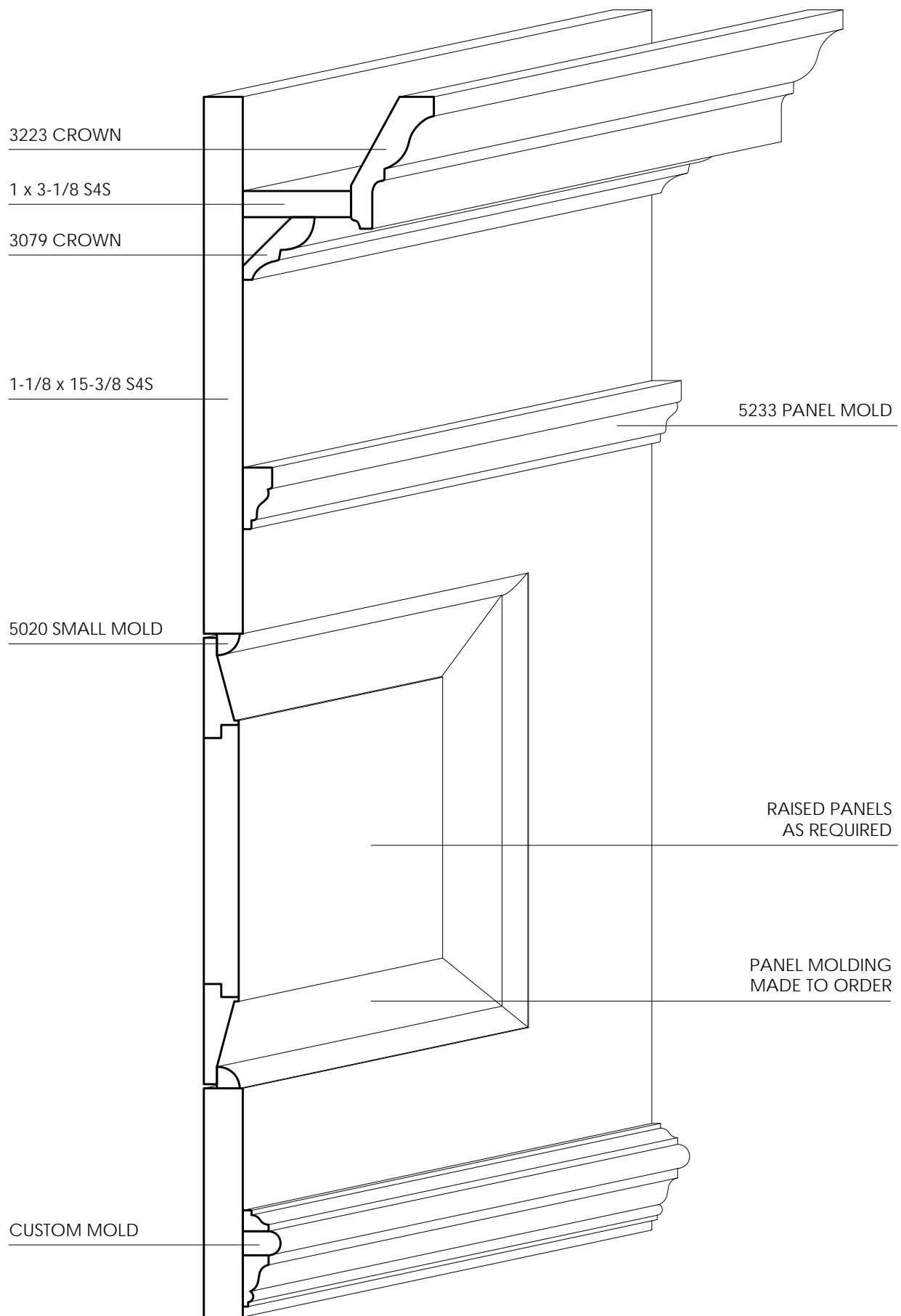




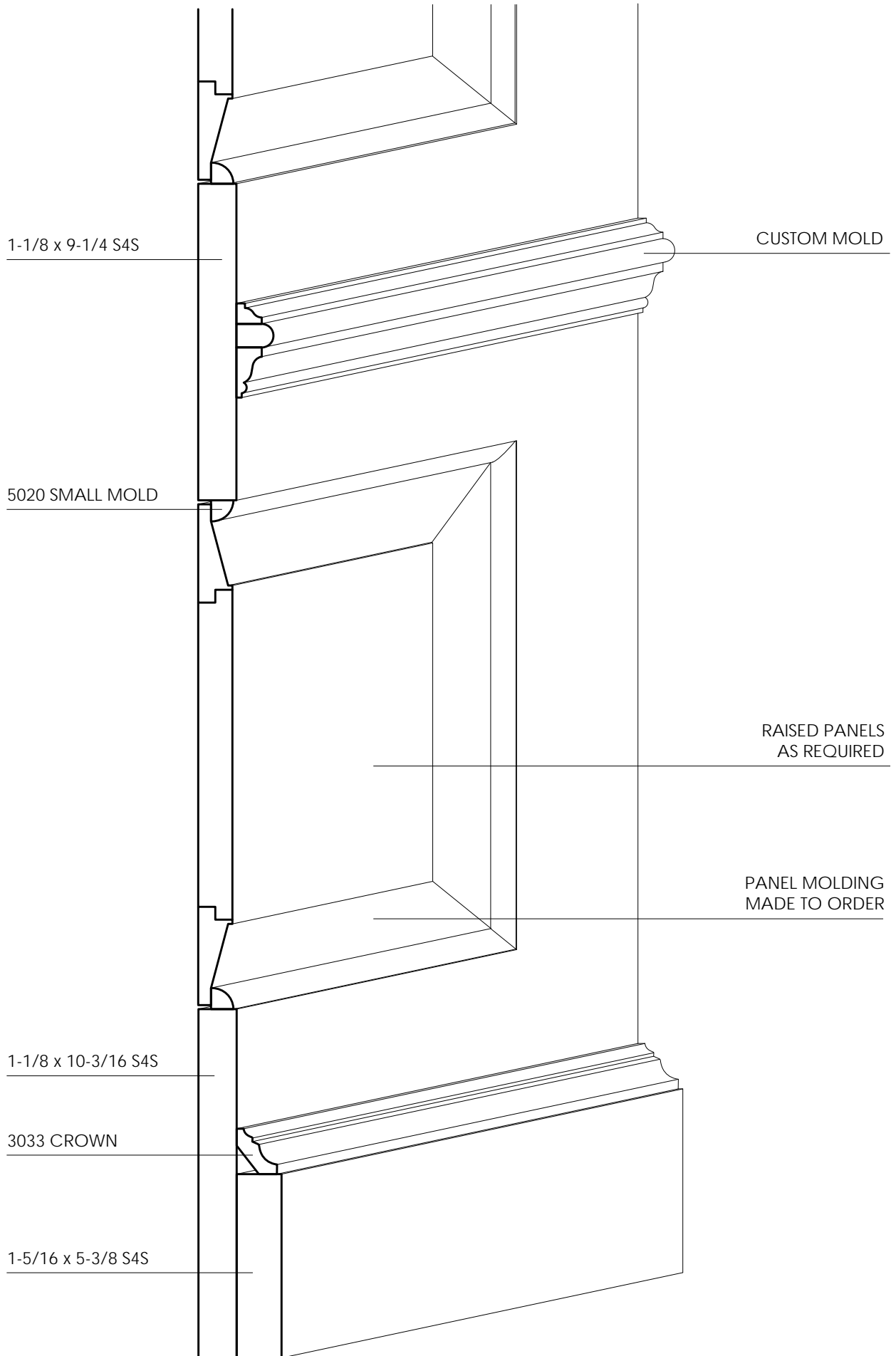
WAINSCOT & PANELLING

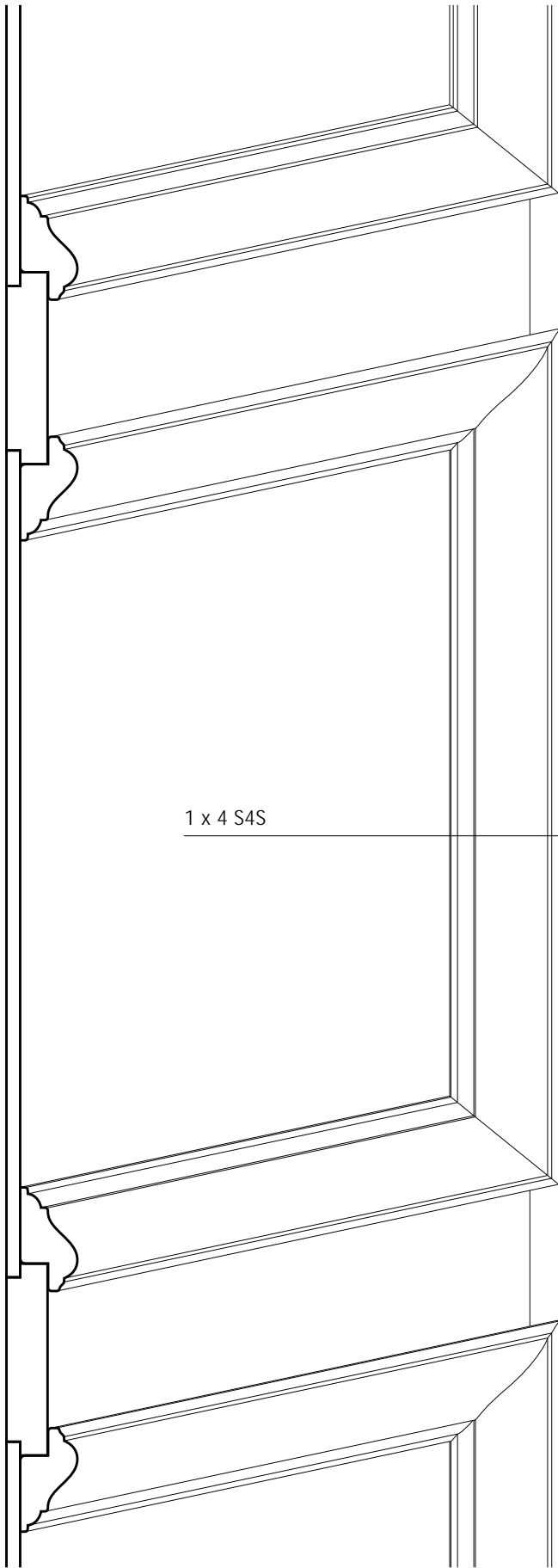




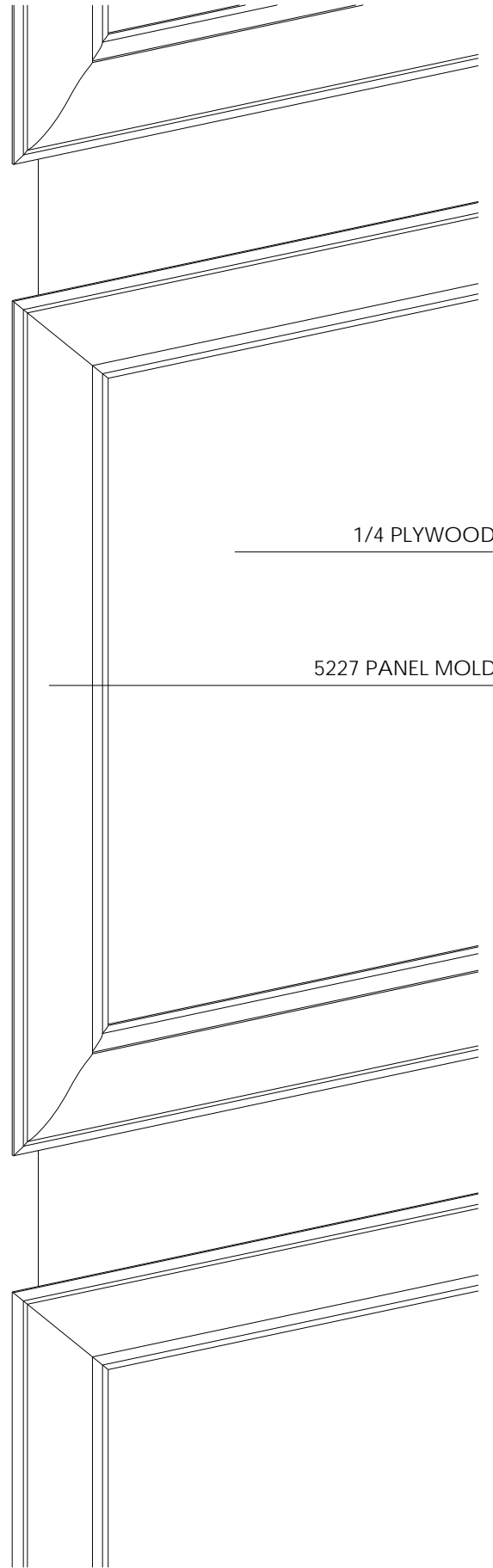


WAINSCOT & PANELING





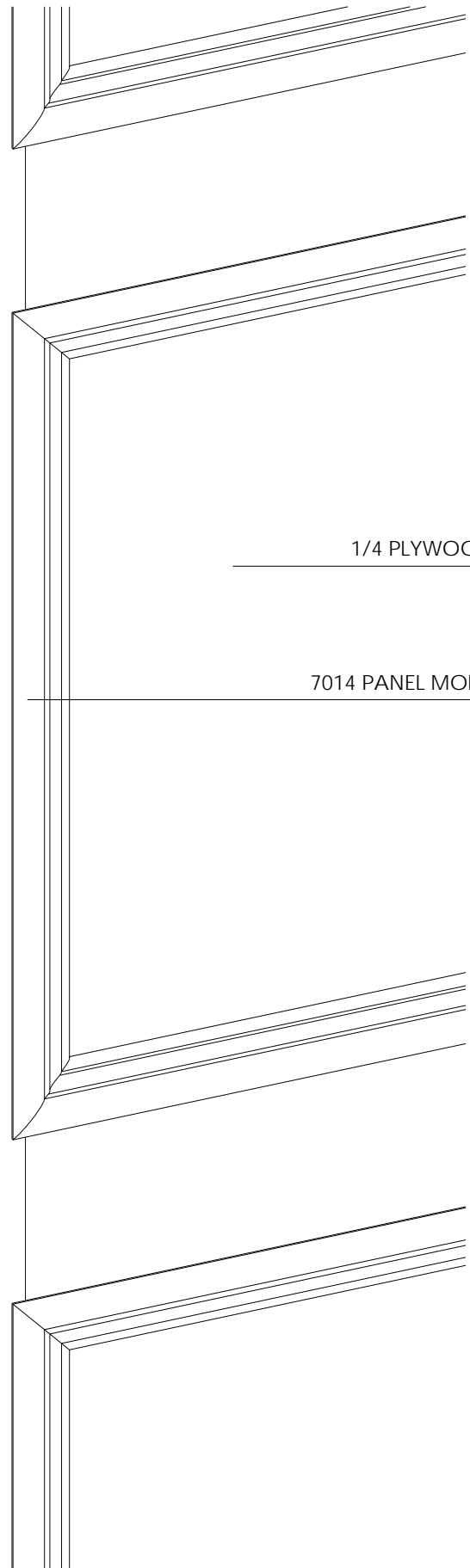
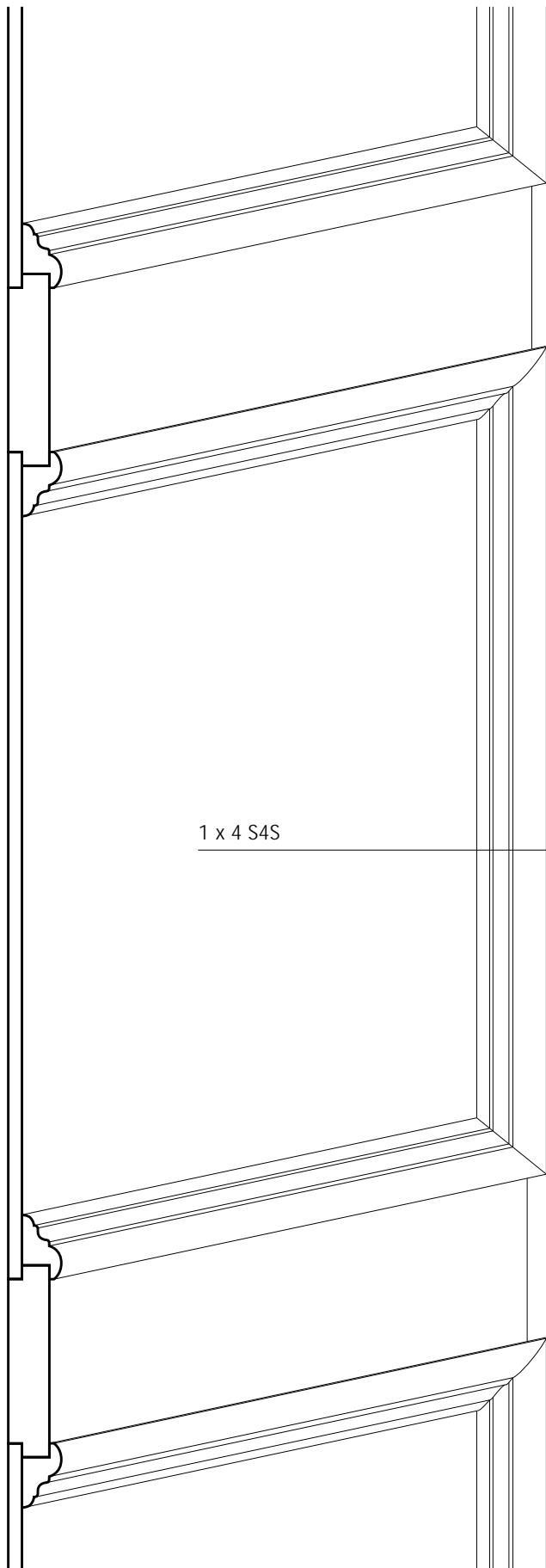
1 x 4 S4S



1/4 PLYWOOD

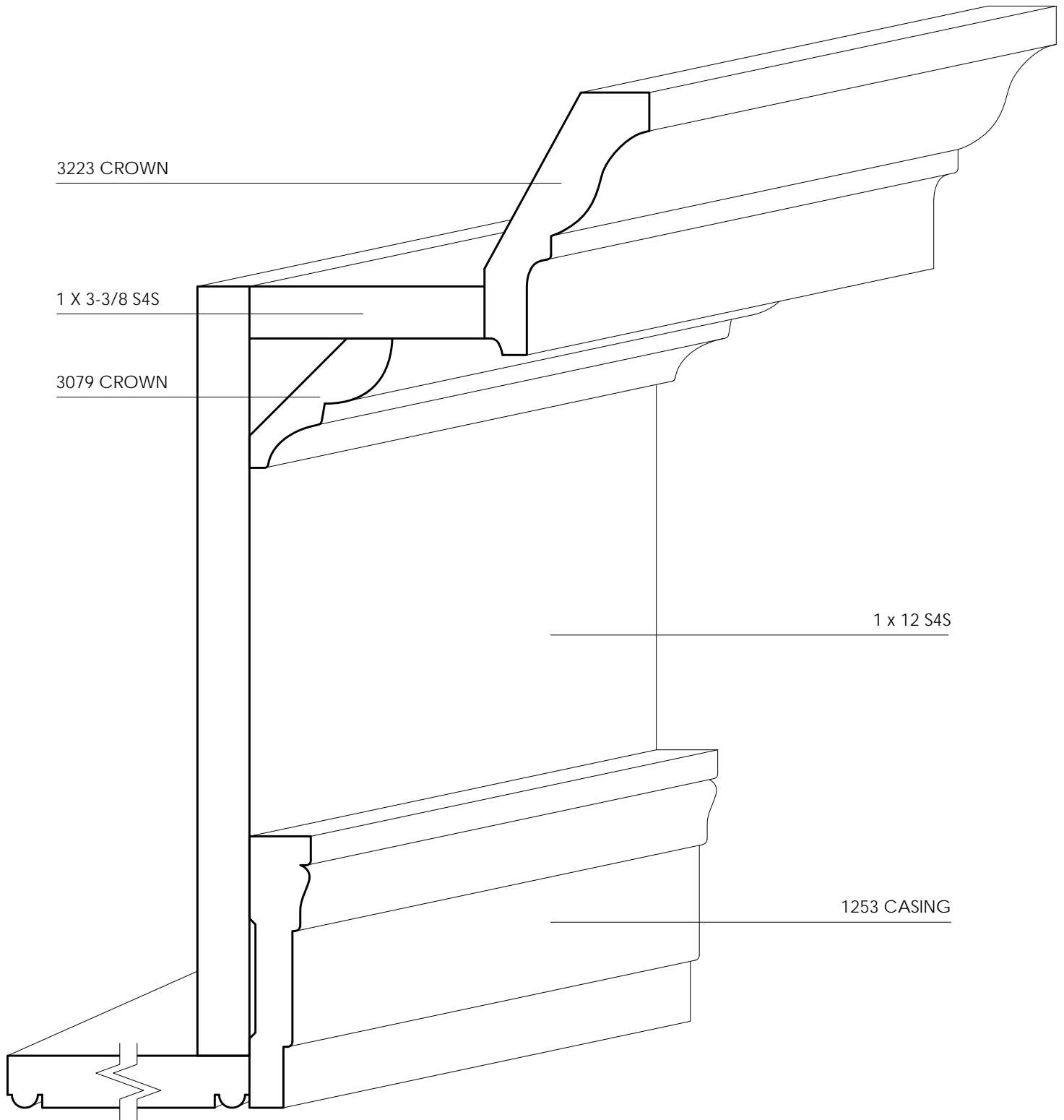
5227 PANEL MOLD

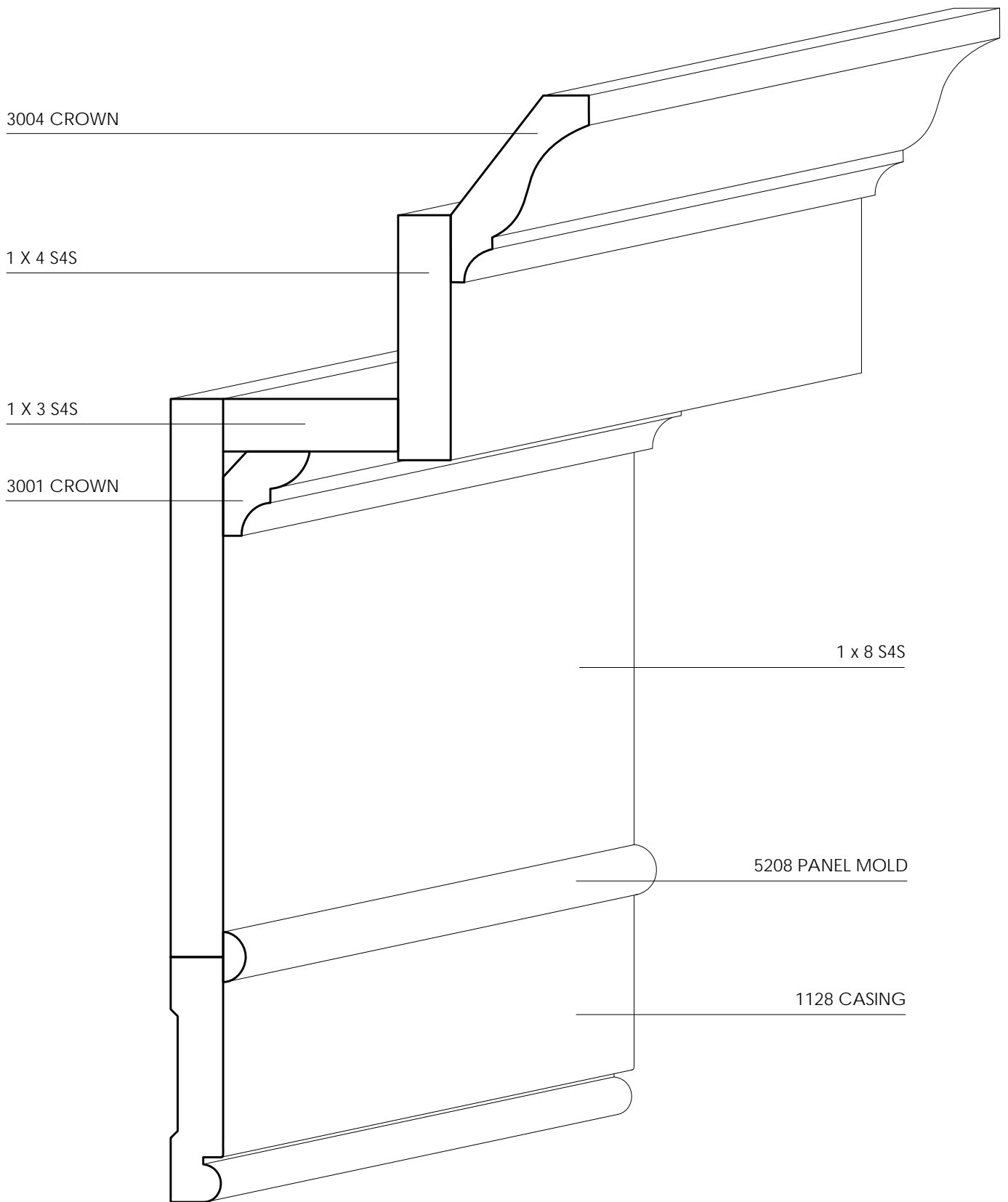
WAINSCOT & PANELING



# ENTABLATURES

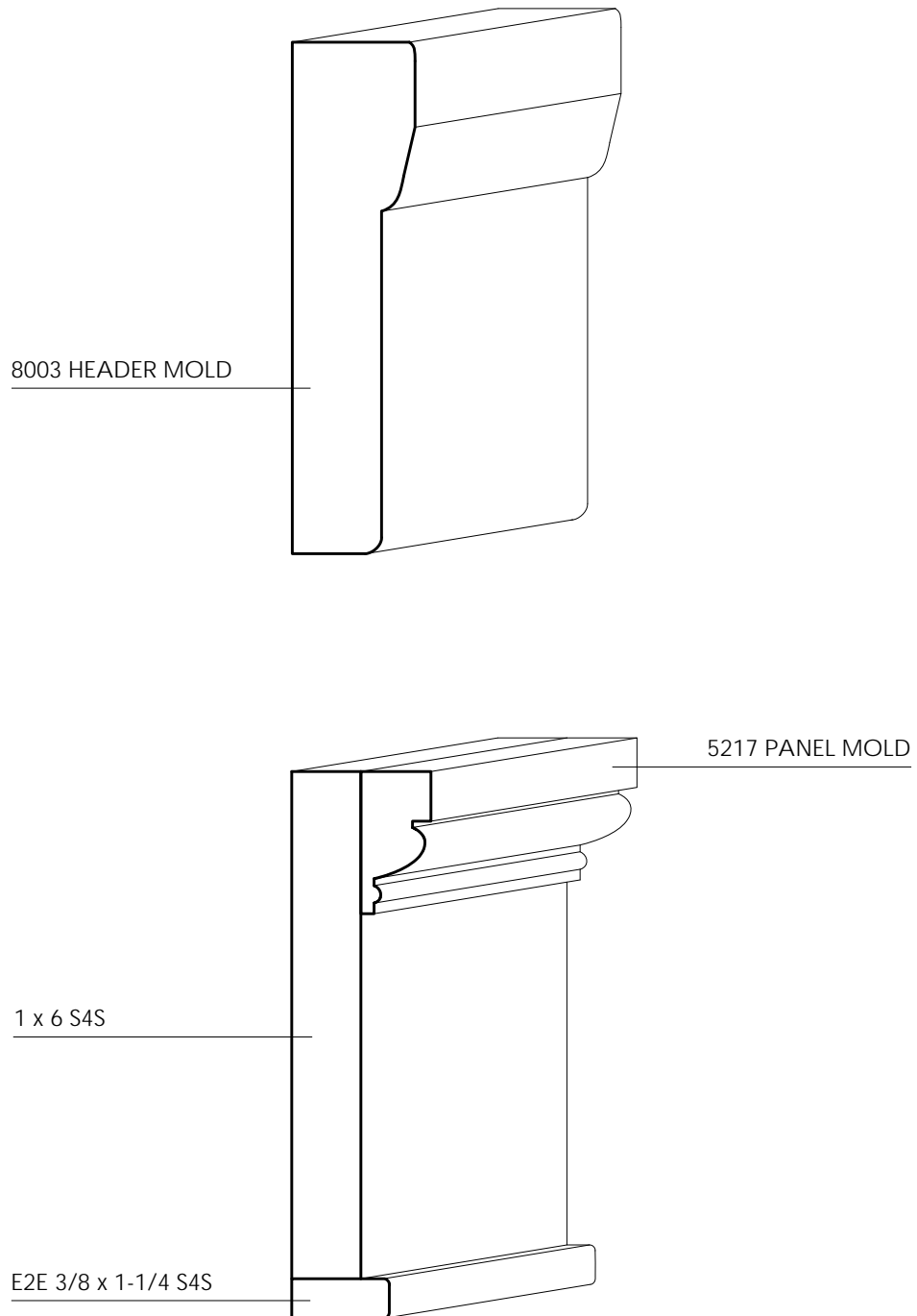
Entablatures, the ornamental superstructure of moldings and bands which lie horizontally above columns, convey formality, elegance, and distinction.



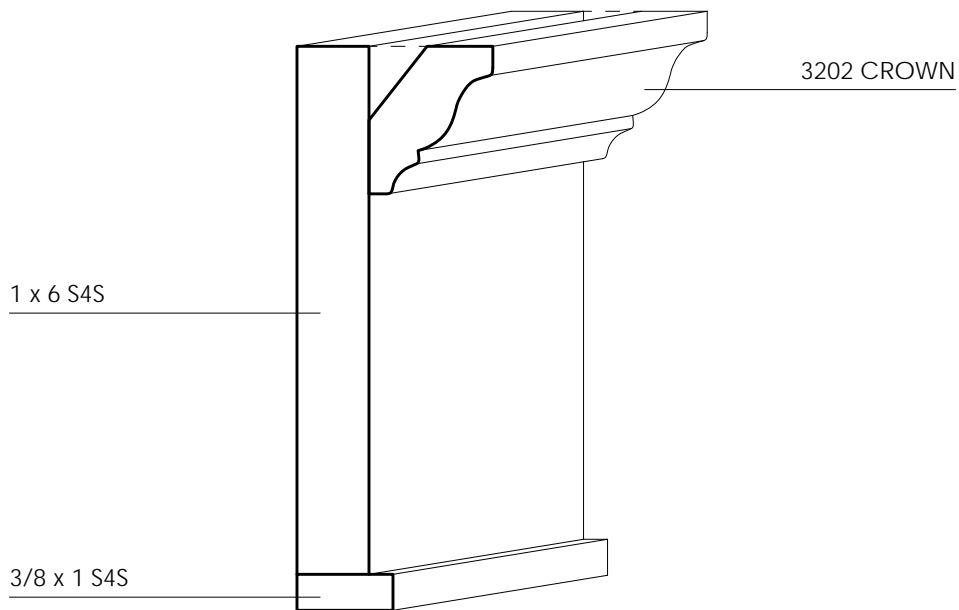
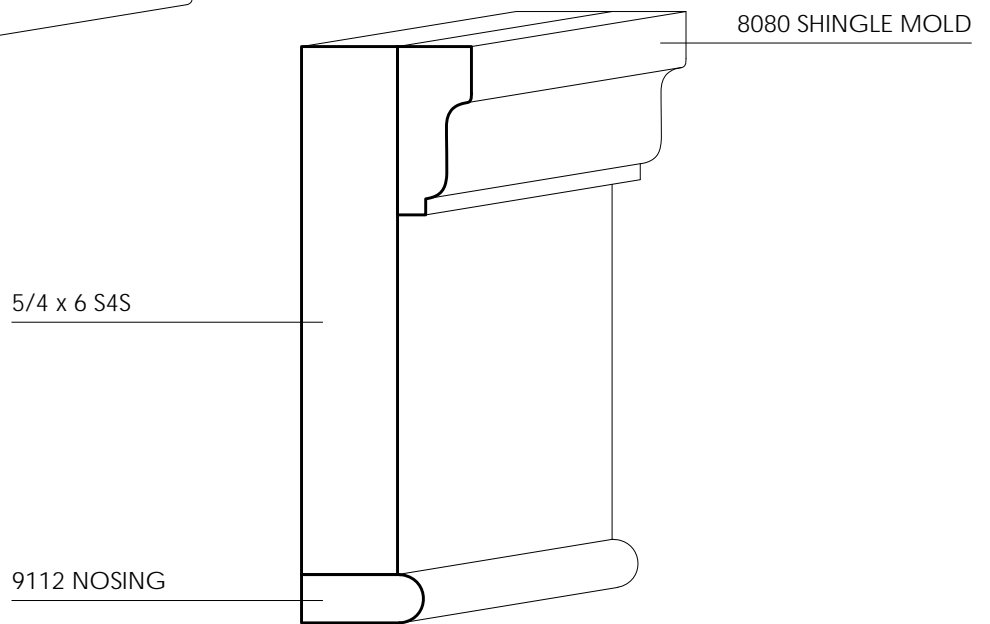
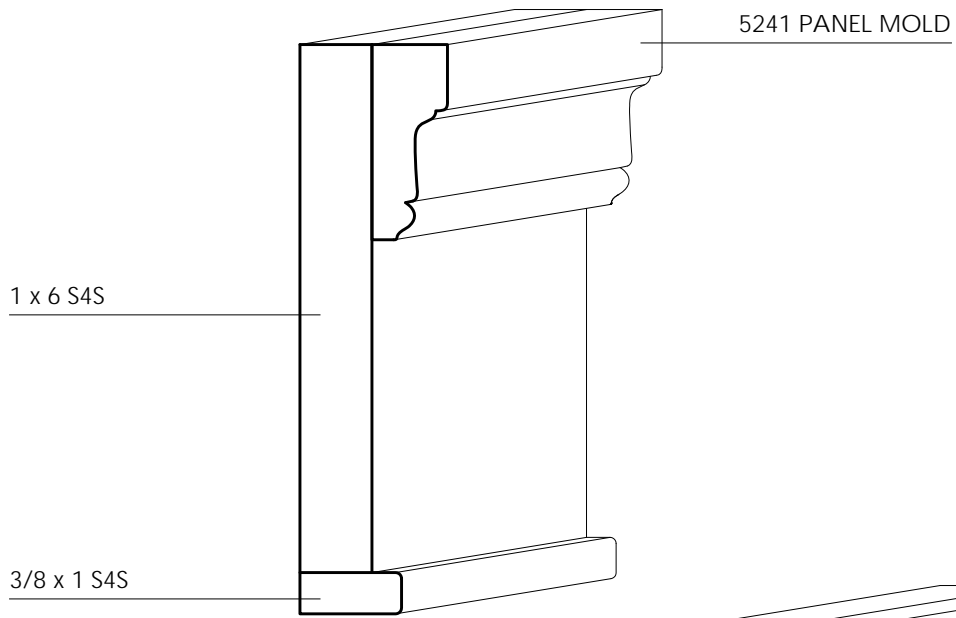


## DOOR AND WINDOW HEADERS

Headers are horizontal elements of casing or built-up mouldings applied to the top of a door or window opening for added decoration.



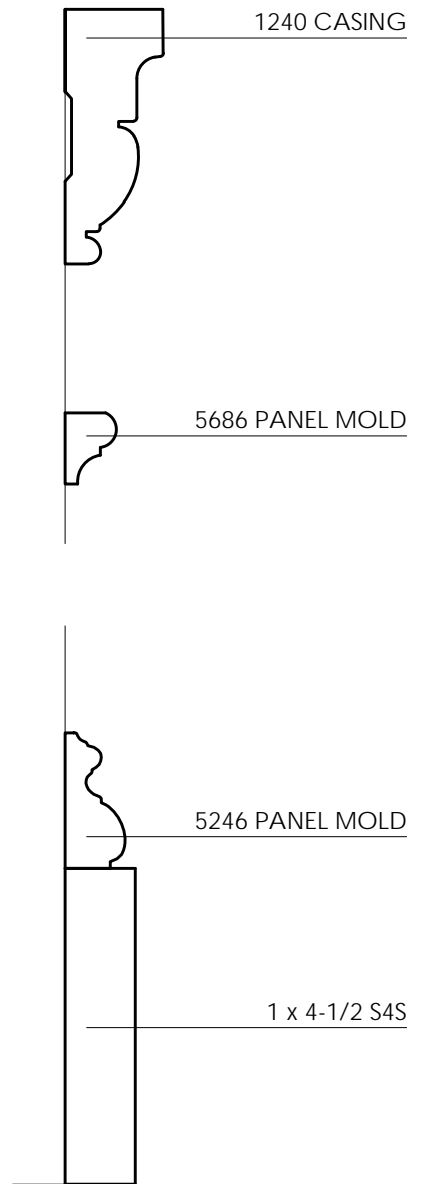
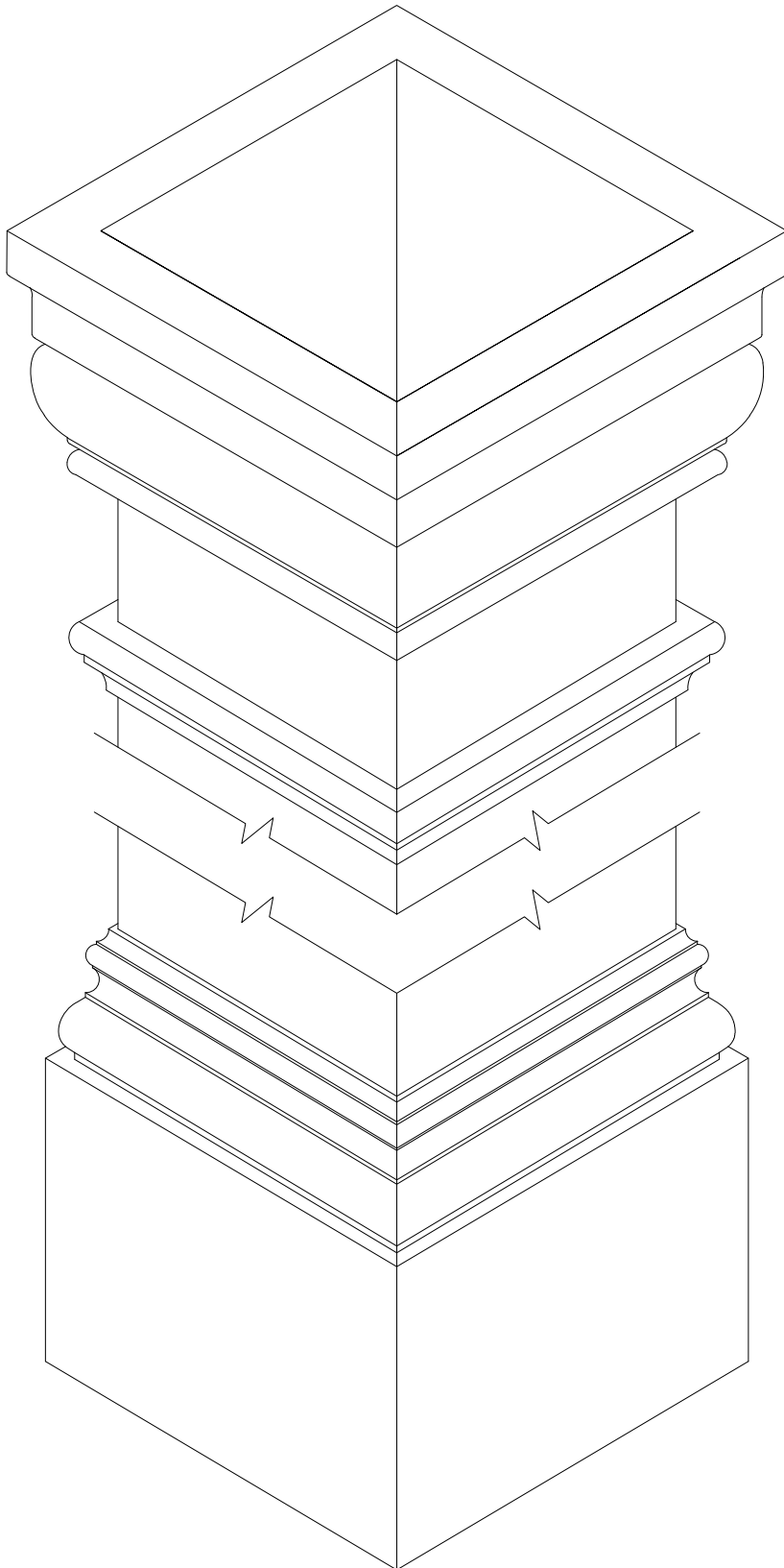
HEADERS





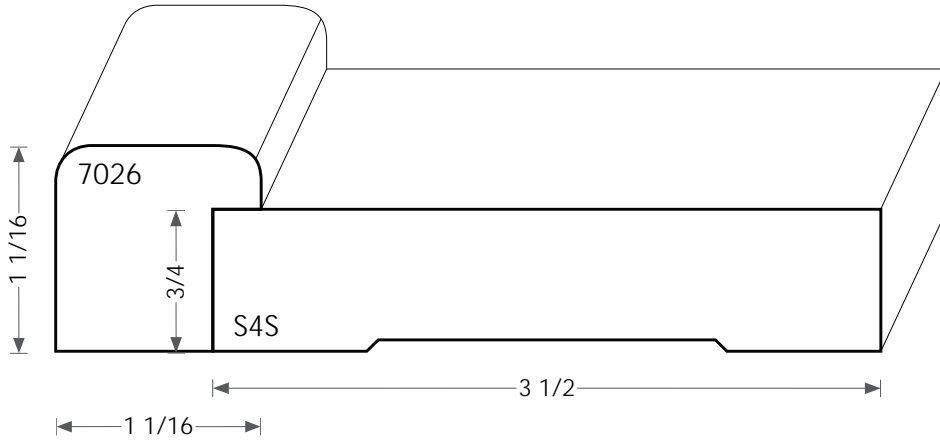
# WOOD COLUMNS

Wood columns can make a real statement, whether as part of a grand entrance or as a way to divide open spaces.

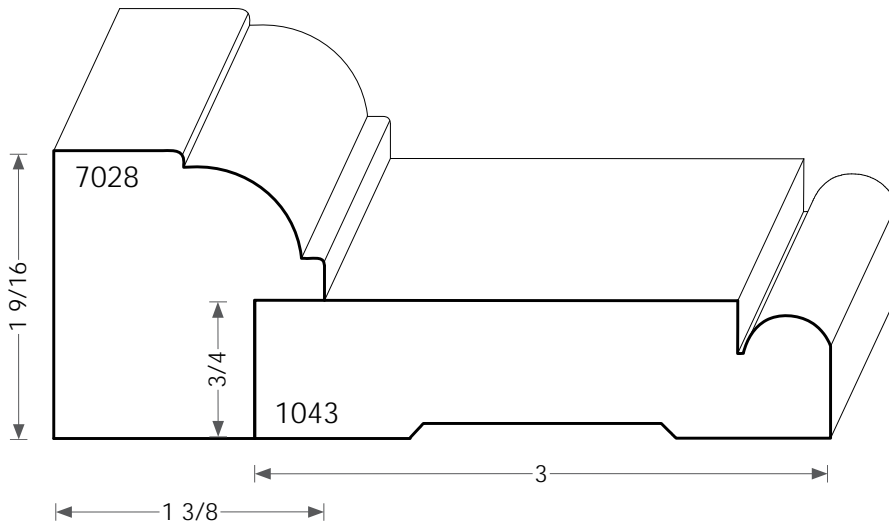


# CASING WITH BACKBAND

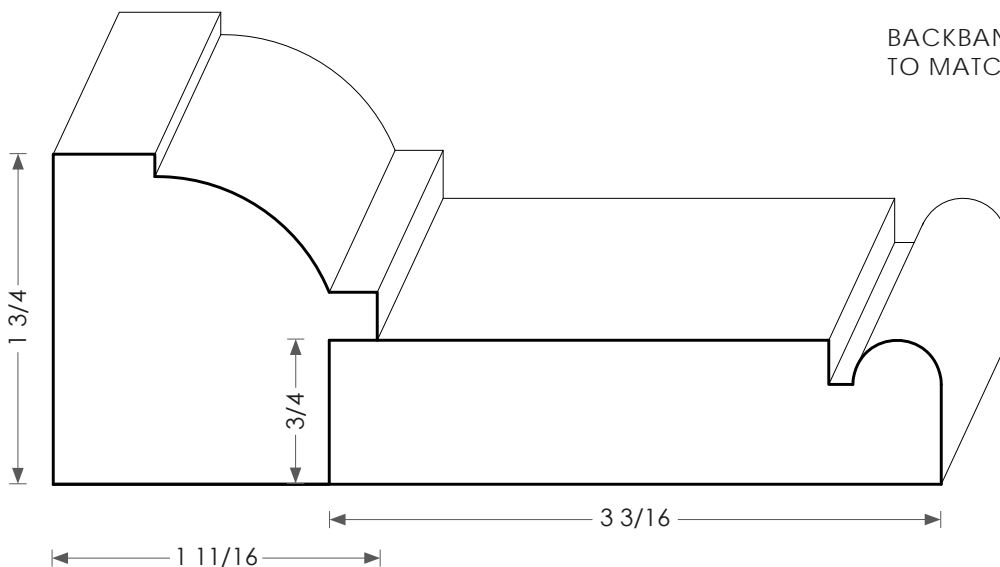
Backband added to casing is a way to make a house look more impressive and creates a "heavy trim" appearance.

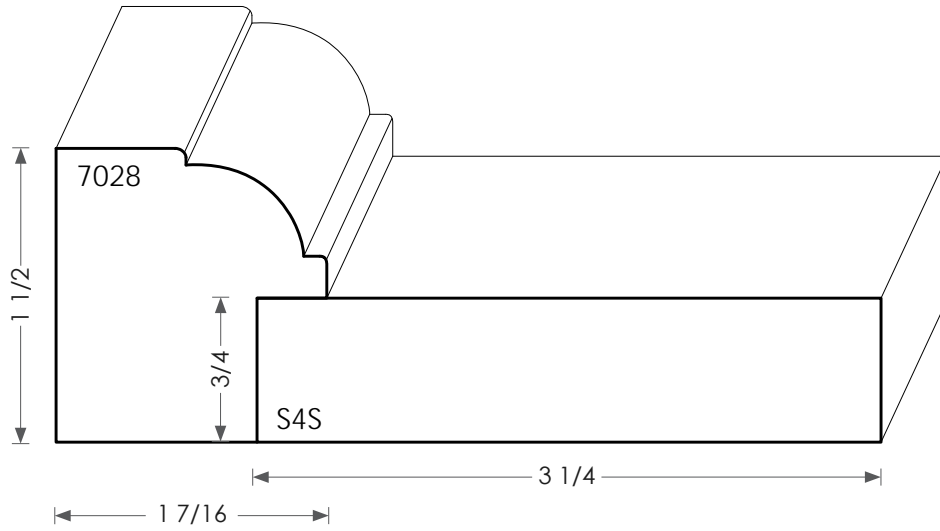


PLINTH BLOCKS ARE AVAILABLE FOR SOME OF THE CASING AND BACKBAND COMBINATIONS SHOWN. VIEW OUR PLINTH BLOCK SECTION ON PAGES 103-116.

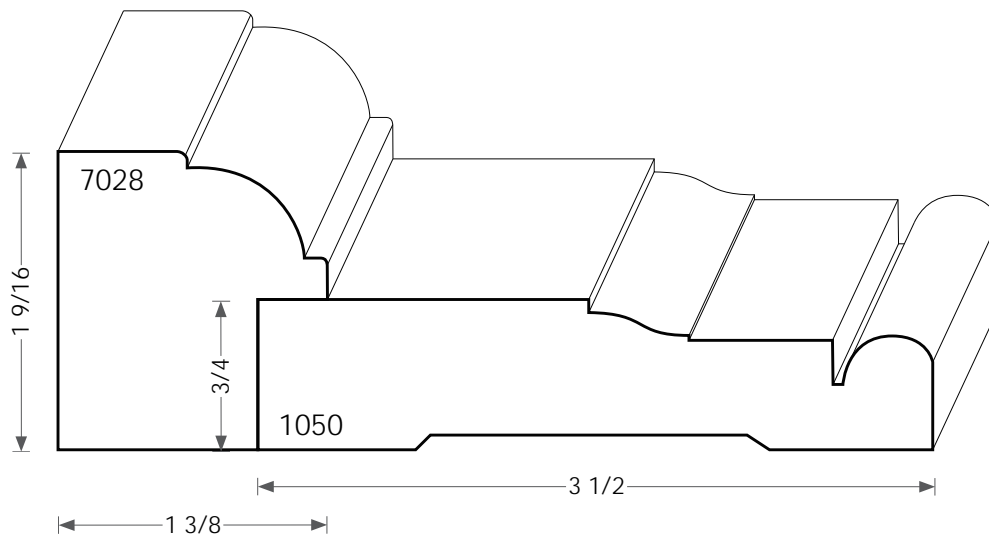
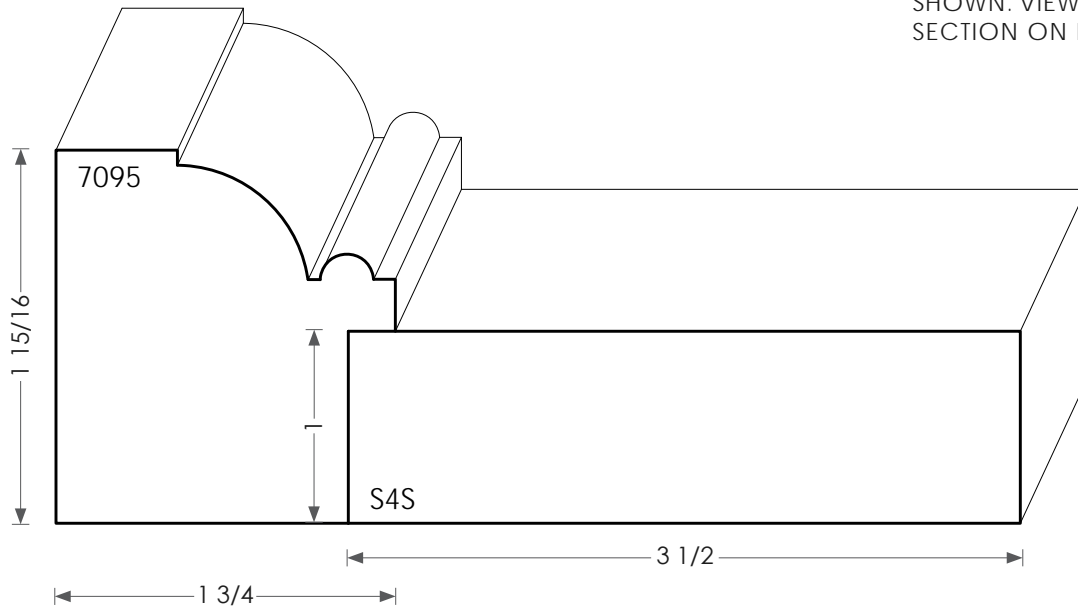


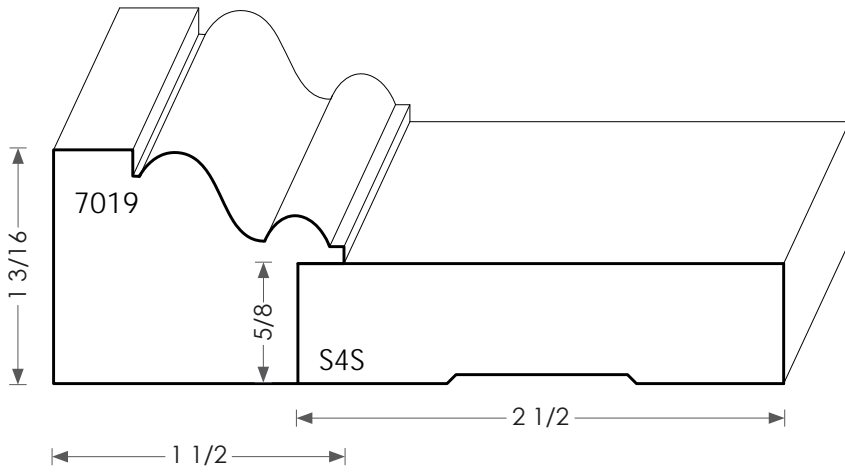
BACKBAND HEIGHT CAN BE MODIFIED TO MATCH CASING DIMENSIONS.



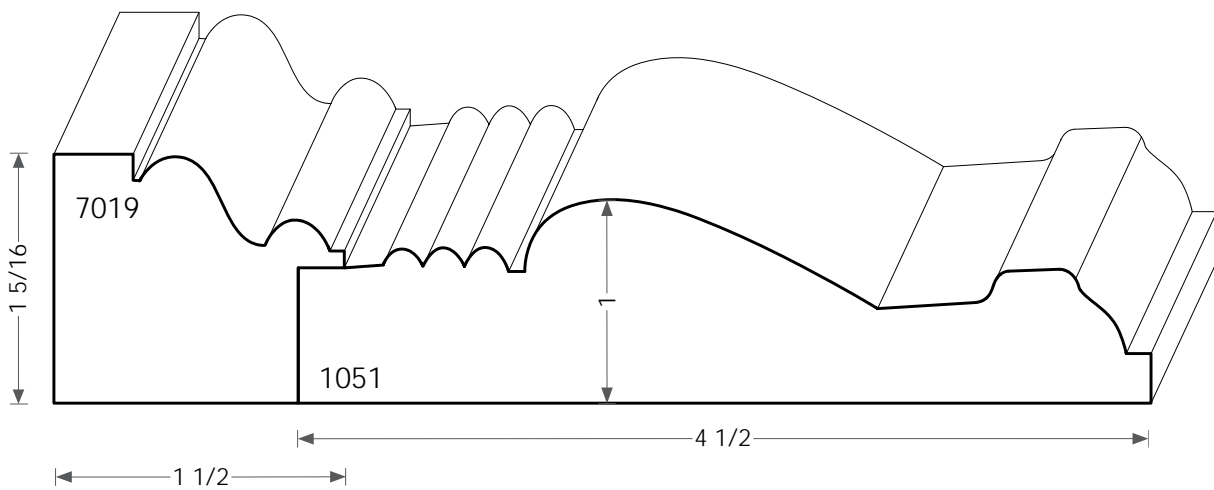
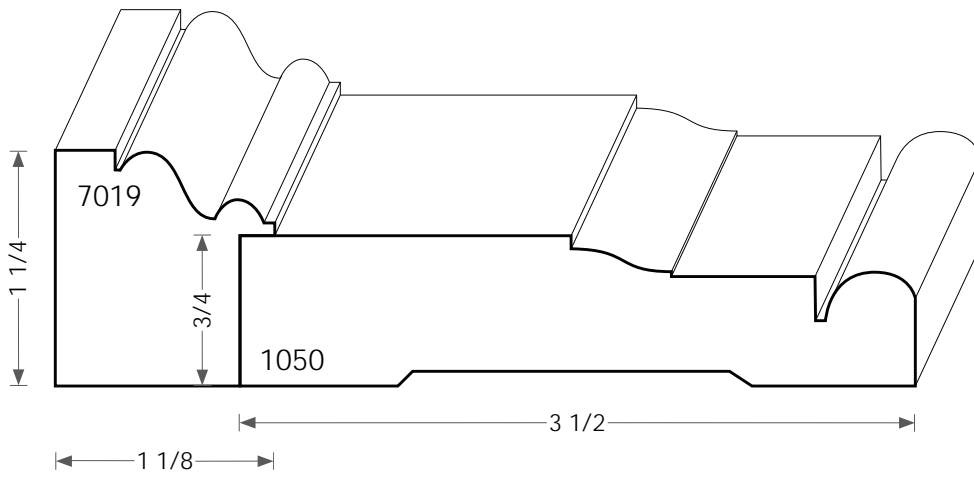


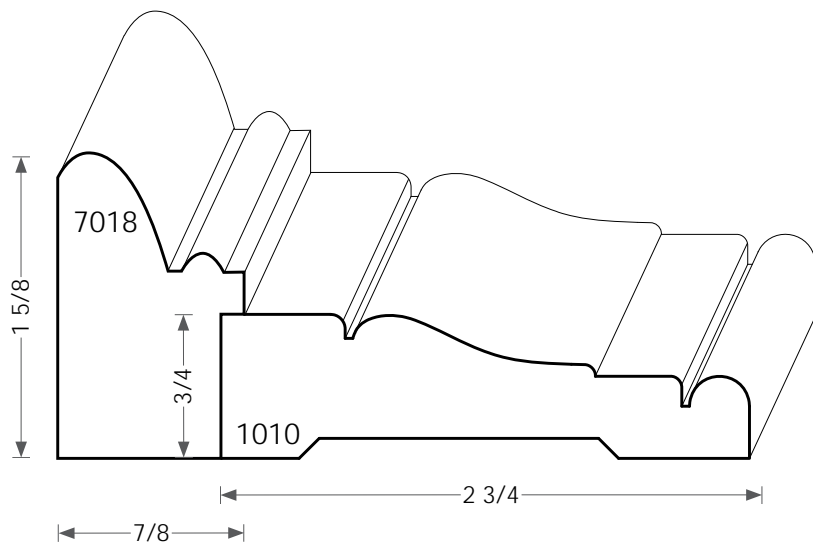
PLINTH BLOCKS ARE AVAILABLE FOR SOME OF THE CASING AND BACKBAND COMBINATIONS SHOWN. VIEW OUR PLINTH BLOCK SECTION ON PAGES 103-116.



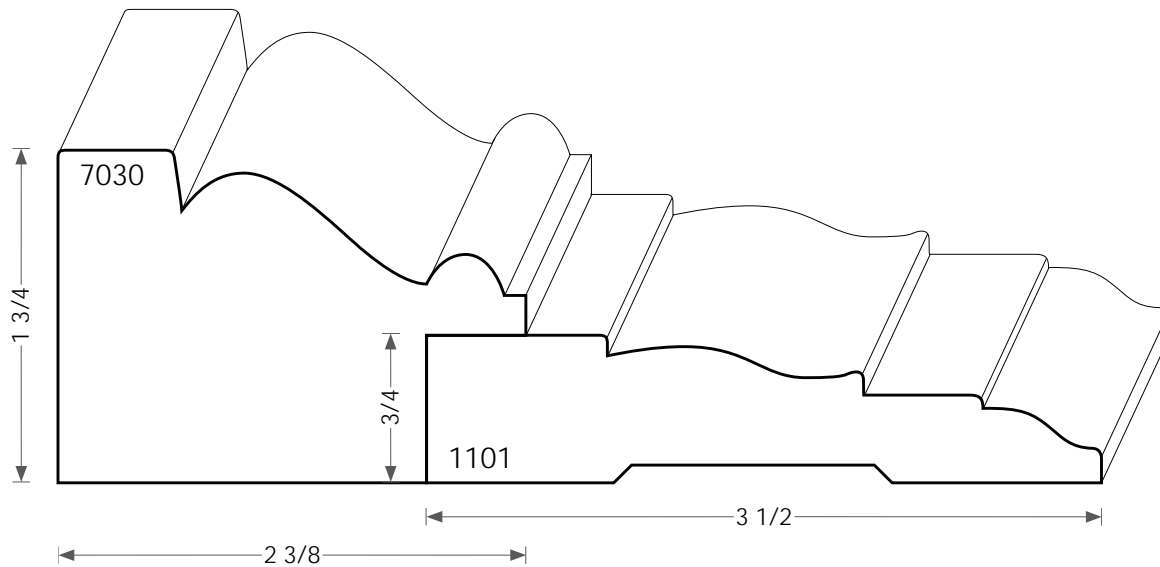
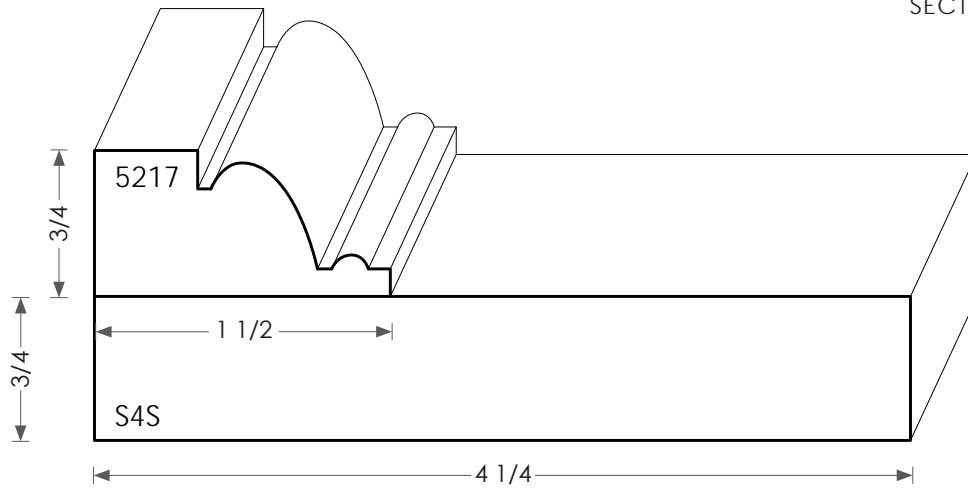


BACKBAND HEIGHT CAN BE MODIFIED TO MATCH CASING DIMENSIONS.

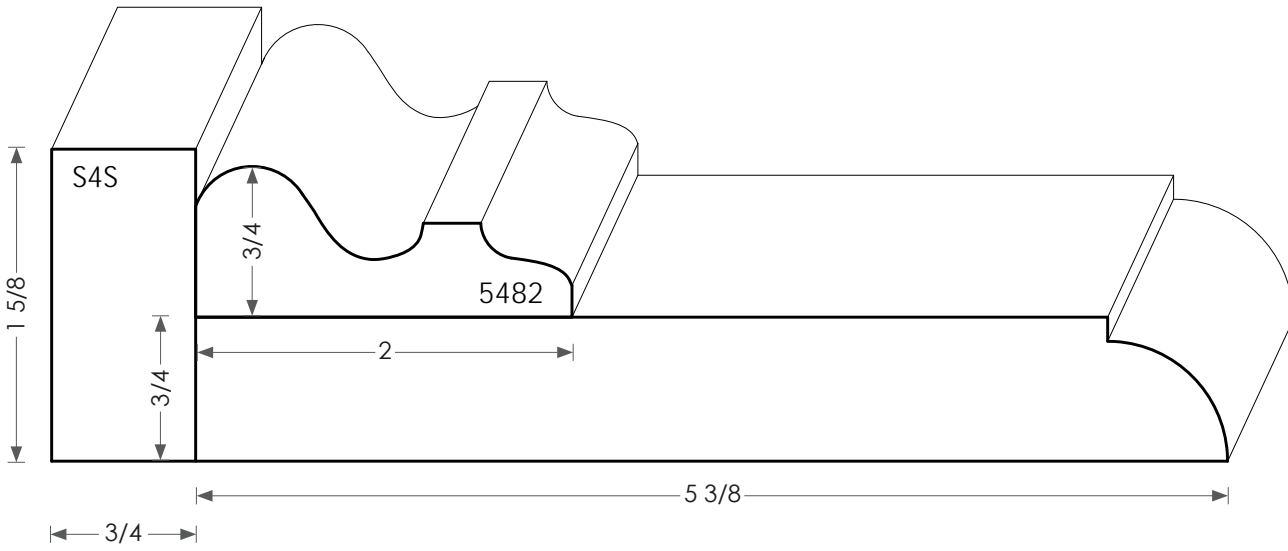




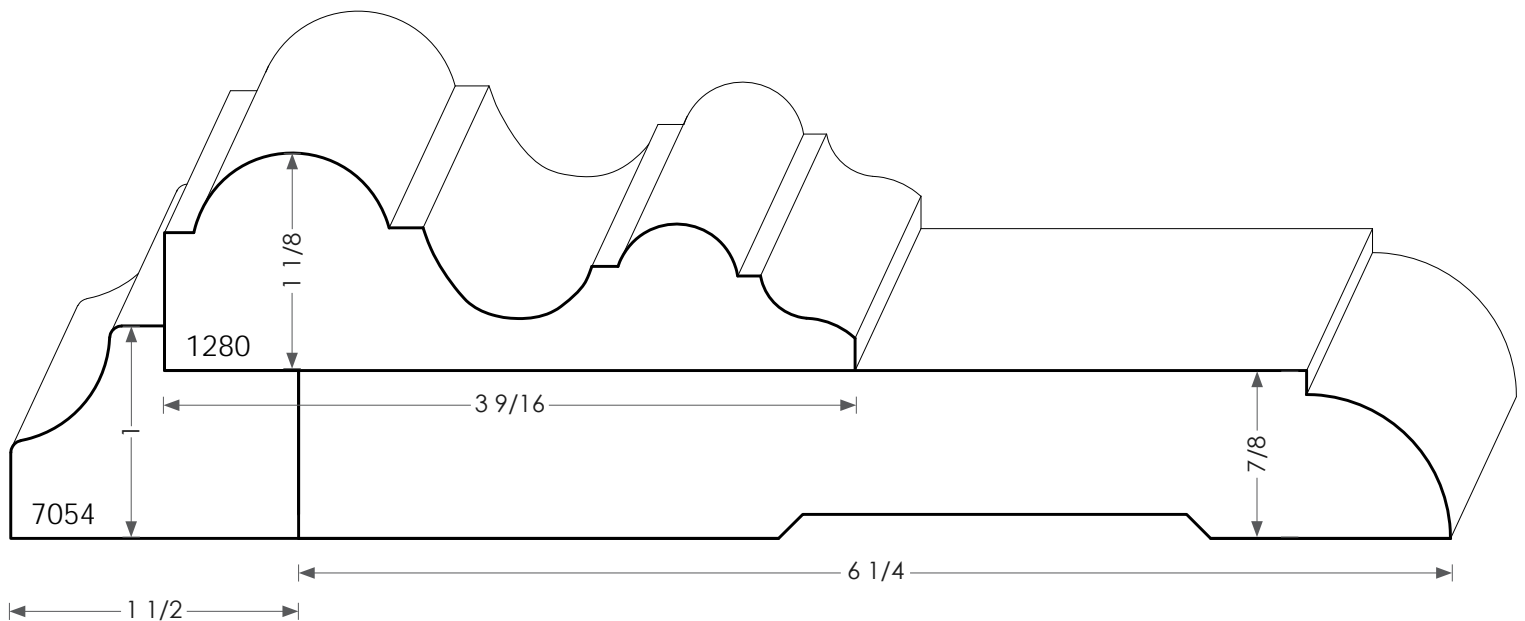
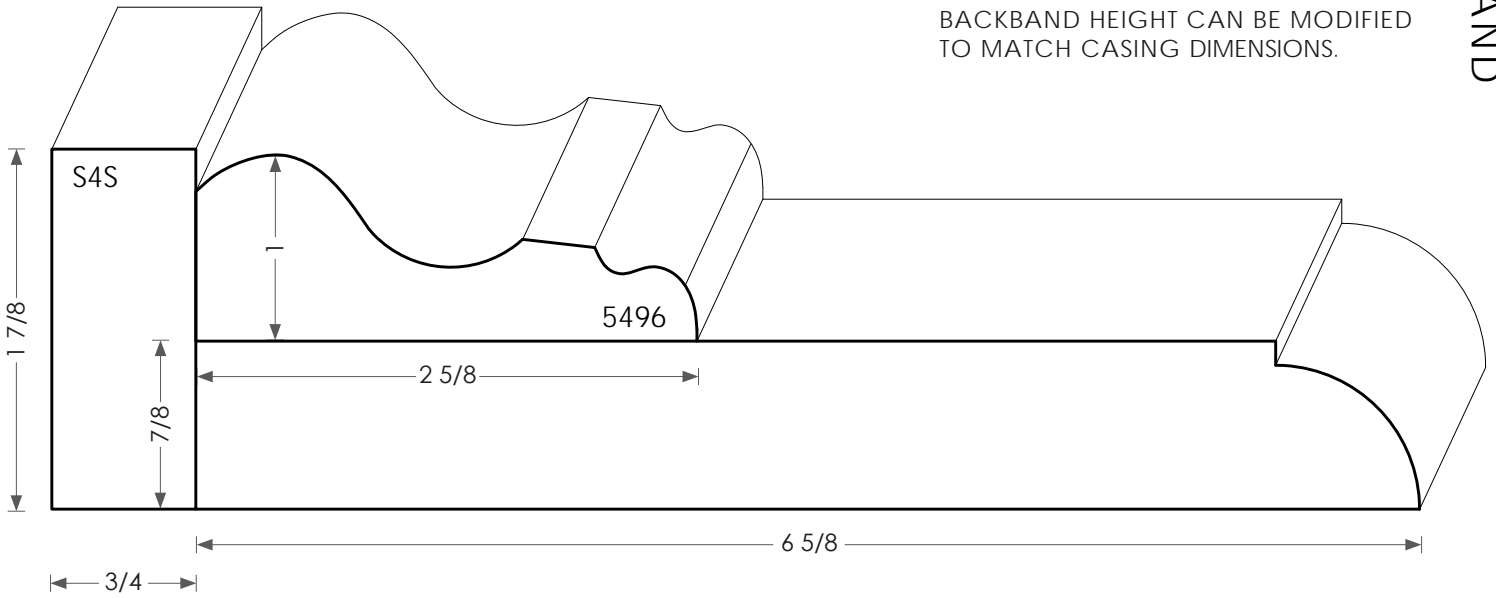
PLINTH BLOCKS ARE AVAILABLE FOR SOME OF THE CASING AND BACKBAND COMBINATIONS SHOWN. VIEW OUR PLINTH BLOCK SECTION ON PAGES 103-116.

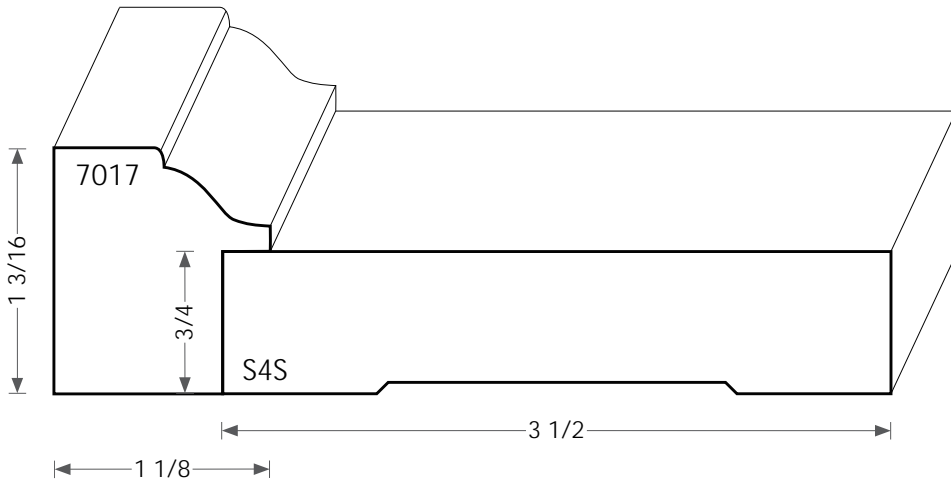


CASING WITH BACKBAND

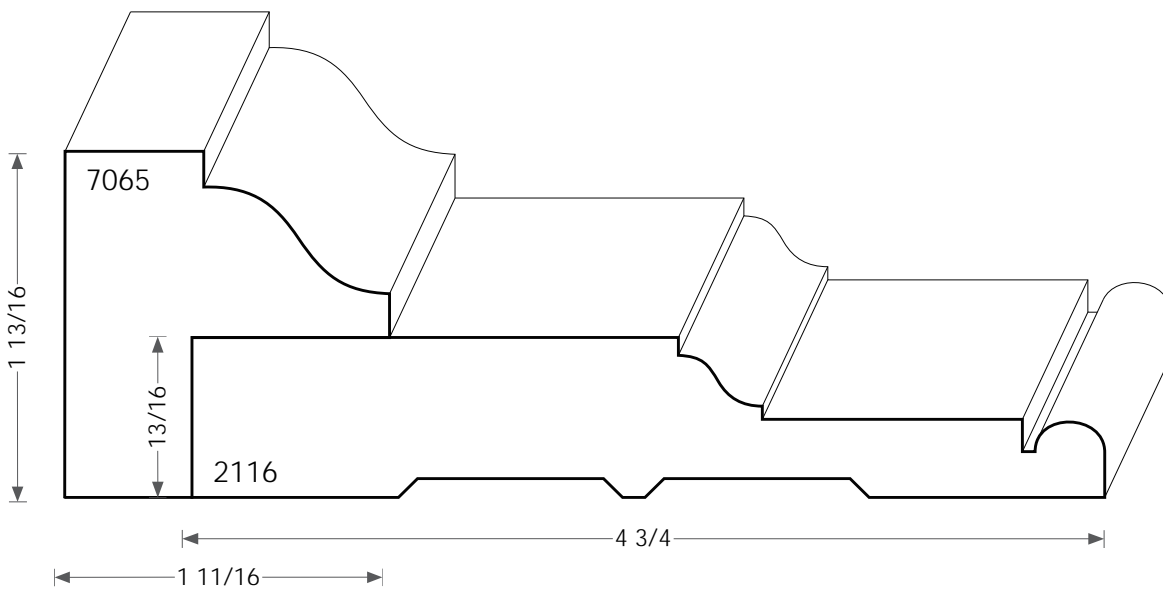
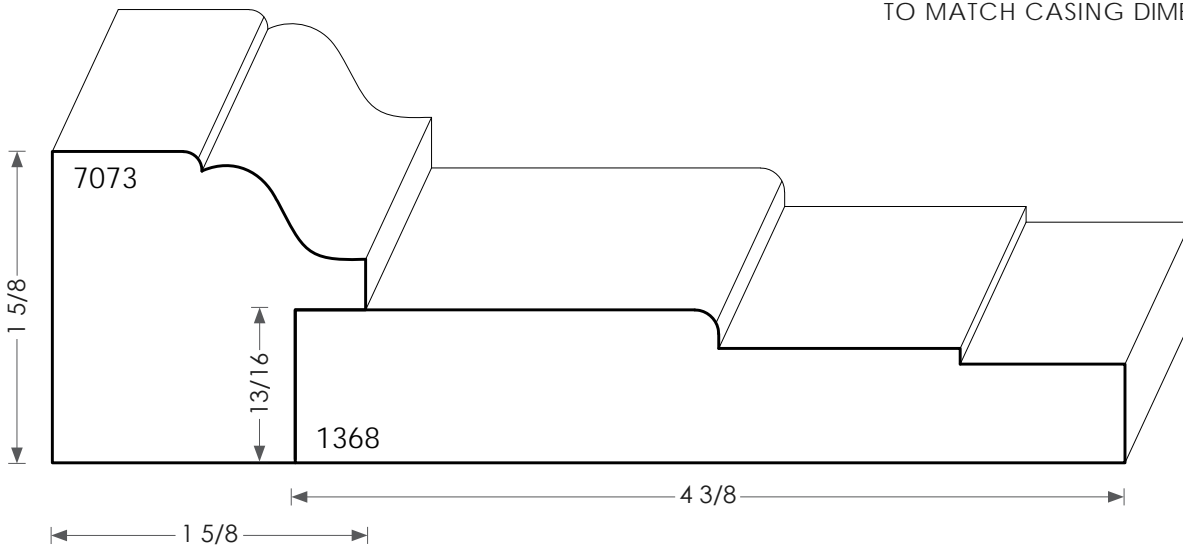


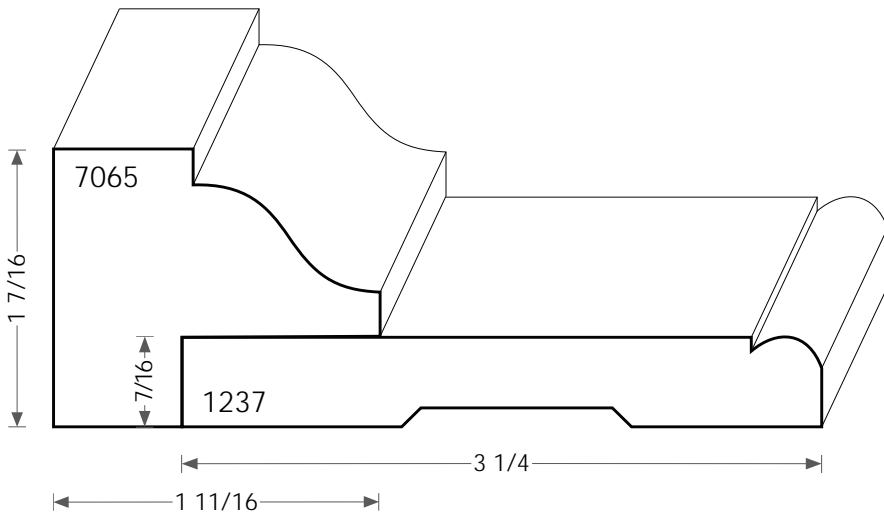
BACKBAND HEIGHT CAN BE MODIFIED TO MATCH CASING DIMENSIONS.



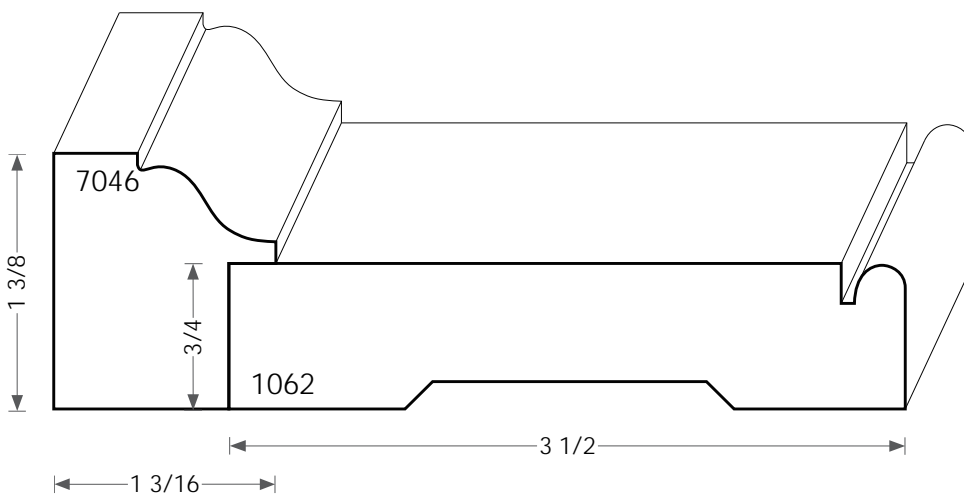
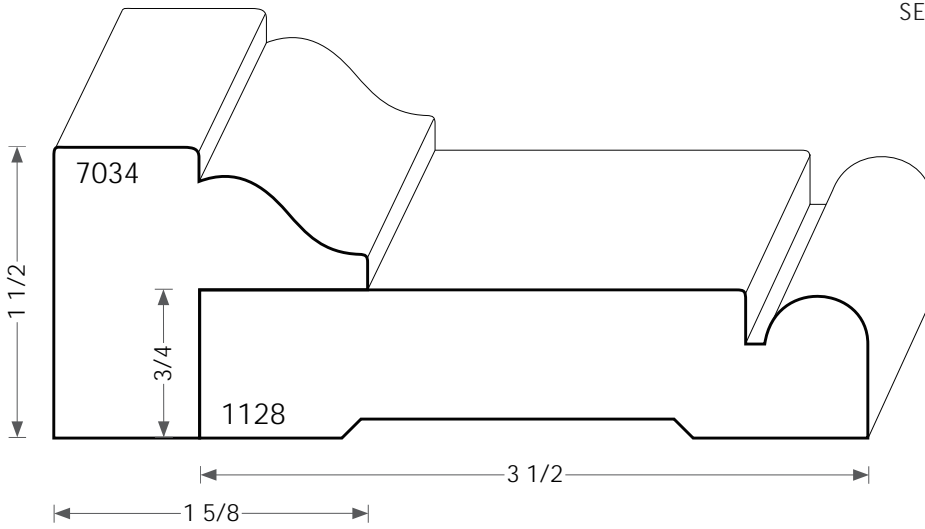


BACKBAND HEIGHT CAN BE MODIFIED TO MATCH CASING DIMENSIONS.

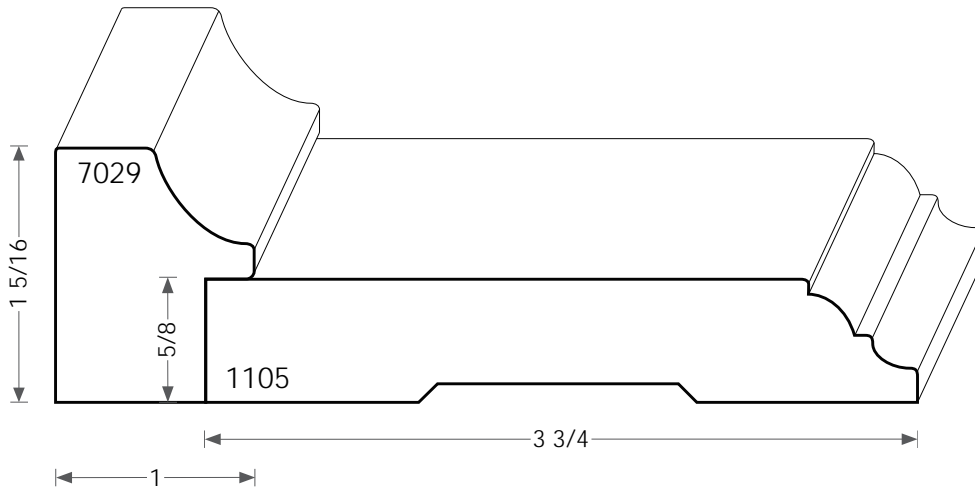




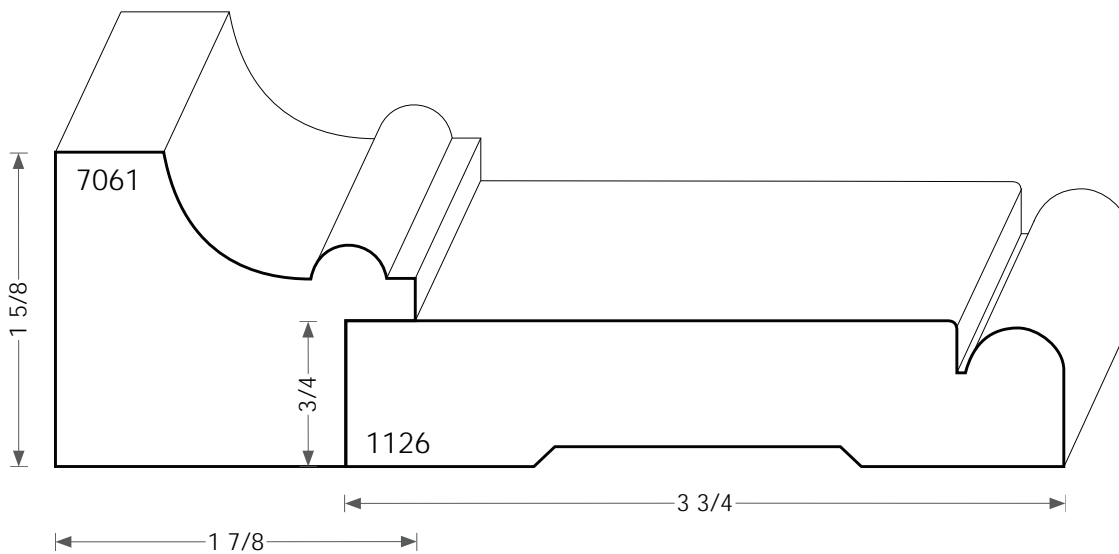
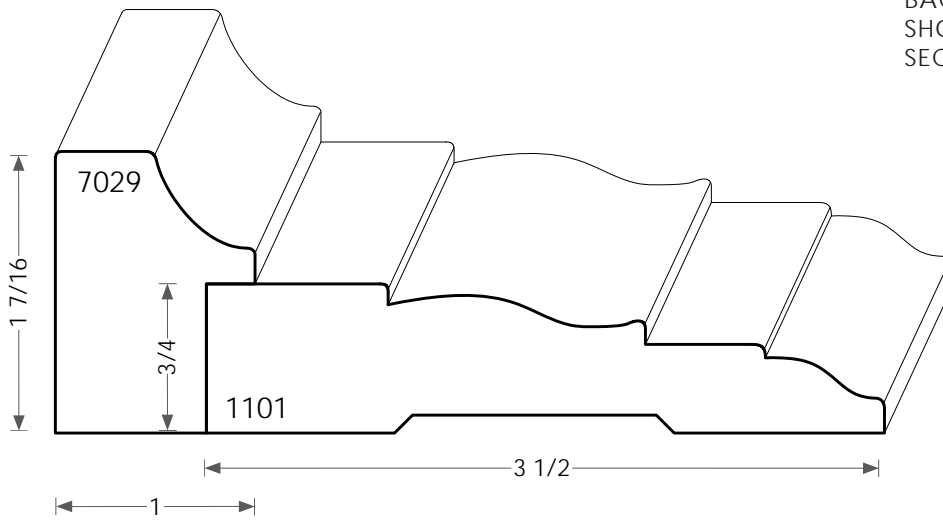
PLINTH BLOCKS ARE AVAILABLE FOR SOME OF THE CASING AND BACKBAND COMBINATIONS SHOWN. VIEW OUR PLINTH BLOCK SECTION ON PAGES 103-116.

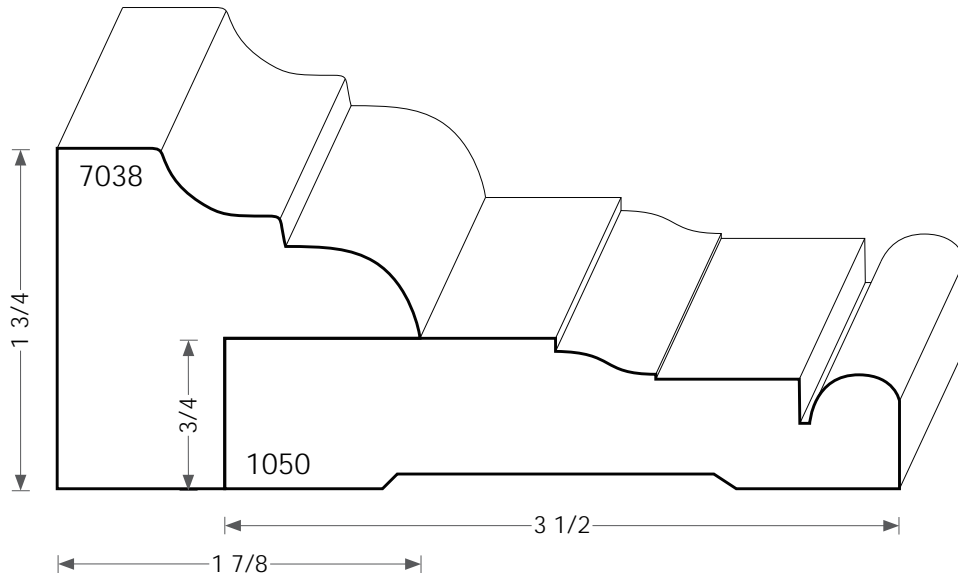




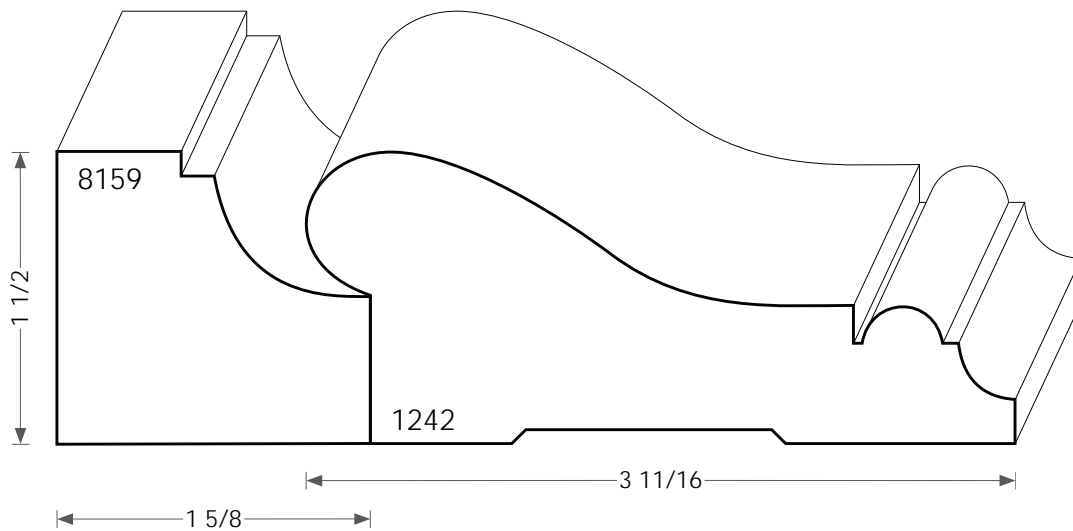
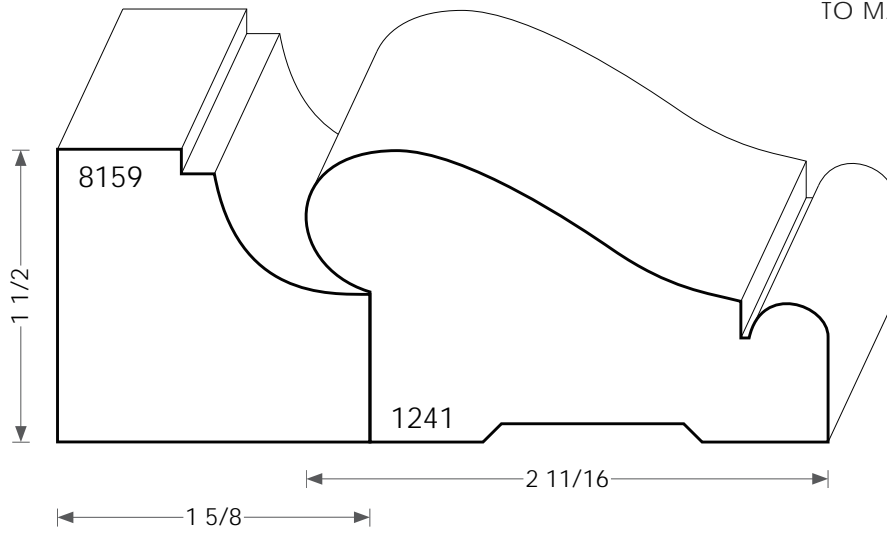


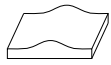
PLINTH BLOCKS ARE AVAILABLE FOR SOME OF THE CASING AND BACKBAND COMBINATIONS SHOWN. VIEW OUR PLINTH BLOCK SECTION ON PAGES 103-116.





BACKBAND HEIGHT CAN BE MODIFIED TO MATCH CASING DIMENSIONS.





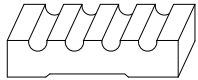
1000 3/8 x 1 3/4 P 278, 325



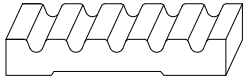
1001 3/4 x 3 1/4 P 43



1002 3/4 x 2 3/4 P 42



1003 3/4 x 3 1/2 P 5, 72



1004 3/4 x 4 1/2 P 72



1005 9/16 x 2 3/4 P 26



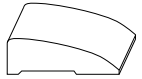
1006 9/16 x 2 1/4 P 5, 25



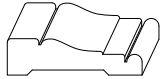
1007 9/16 x 2 1/4 P 80



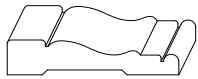
1008 3/4 x 2 1/2 P 5, 35



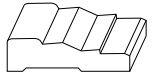
1009 3/4 x 2 1/4 P 80



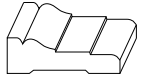
1010 3/4 x 2 3/4 P 5, 32



1011 3/4 x 3 1/2 P 5, 33



1012 11/16 x 2 1/2 P 55



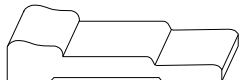
1013 3/4 x 2 3/8 P 30



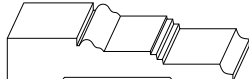
1014 3/4 x 3 1/2 P 25



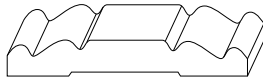
1015 3/4 x 4 1/8 P 25



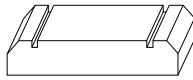
1016 7/8 x 4 1/2 P 48



1017 15/16 x 4 11/16 P 37



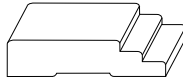
1018 13/16 x 5 P 277



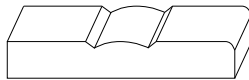
1019 3/4 x 3 1/2 P 70



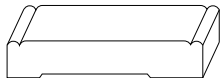
1020 3/4 x 2 1/2 P 279



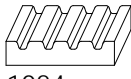
1021 3/4 x 3 5/16 P 49



1022 3/4 x 4 3/4 P 69



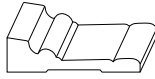
1023 3/4 x 4 P 85



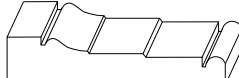
1024 1/2 x 2 1/4 P 72



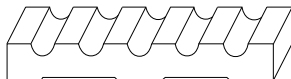
1025 3/4 x 1 3/4 P 258



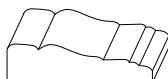
1026 3/4 x 2 3/4 P 39



1027 1 x 4 1/2 P 29



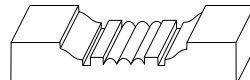
1028 3/4 x 5 1/2 P 73



1029 13/16 x 3 P 26



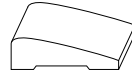
1030 7/8 x 5 P 64



1031 7/8 x 4 11/16 P 69



1032 3/4 x 3 P 91



1033 5/8 x 2 3/16 P 5, 80



1034 3/4 x 5 P 73



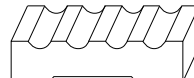
1035 3/4 x 3 1/4 P 56



1036 13/16 x 3 1/2 P 49



1037 3/4 x 3 P 59



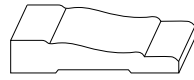
1038 13/16 x 3 1/2 P 73



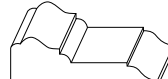
1039 13/16 x 3 1/2 P 48



1040 3/4 x 2 9/16 P 48



1041 11/16 x 3 1/2 P 26



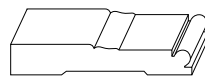
1042 1 1/8 x 3 P 36



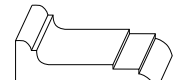
1043 3/4 x 7 1/4 P 86



1044 13/16 x 2 5/8 P 48



1045 5/8 x 3 3/4 P 90



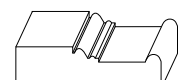
1046 1 1/8 x 2 7/8 P 58



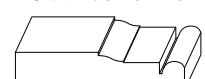
1047 3/4 x 3 1/4 P 70



1048 3/4 x 2 5/8 P 238



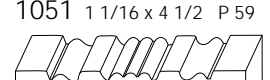
1049 7/8 x 3 P 89



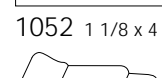
1050 3/4 x 3 1/2 P 89



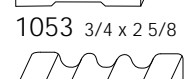
1051 1 1/16 x 4 1/2 P 59



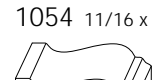
1052 1 1/8 x 4 7/8 P 68



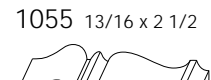
1053 3/4 x 2 5/8 P 48



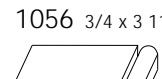
1054 11/16 x 3 3/16 P 73



1055 13/16 x 2 1/2 P 258



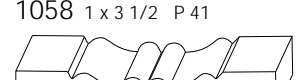
1056 3/4 x 3 11/16 P 56



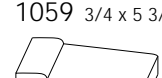
1057 1/2 x 2 5/8 P 82



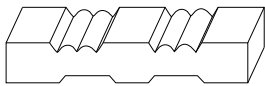
1058 1 x 3 1/2 P 41



1059 3/4 x 5 3/8 P 67



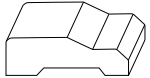
1060 3/4 x 2 5/8 P 30



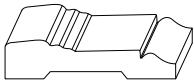
1061 13/16 x 5 P 72



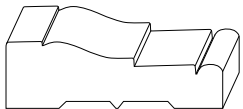
1062 3/4 x 3 1/2 P 83



1063 3/4 x 2 9/16 P 53, 112



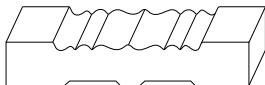
1064 3/4 x 3 1/2 P 62



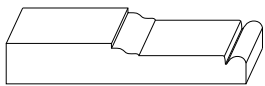
1065 1 3/8 x 4 1/2 P 28



1066 3/4 x 3 1/4 P 66



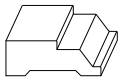
1067 7/8 x 5 P 68



1068 13/16 x 4 15/16 P 89



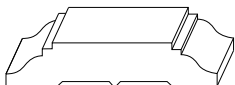
1069 7/8 x 5 3/8 P 64



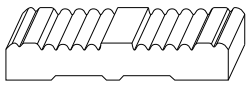
1070 3/4 x 2 P 54



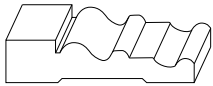
1071 3/4 x 2 1/2 P 258



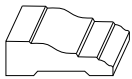
1072 7/8 x 4 3/8 P 277



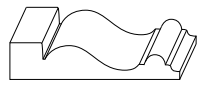
1073 3/4 x 4 5/8 P 71



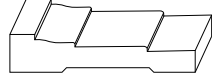
1074 7/8 x 4 P 42



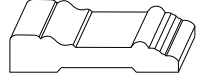
1075 11/16 x 2 1/4 P 26



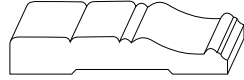
1076 3/4 x 3 1/2 P 46



1077 13/16 x 3 7/8 P 29



1078 3/4 x 3 1/2 P 44



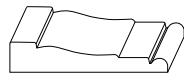
1079 3/4 x 4 1/2 P 55



1080 3/4 x 3 1/4 P 43



1081 3/4 x 4 P 85



1082 9/16 x 3 1/4 P 33



1083 7/8 x 5 1/2 P 69



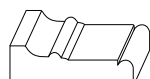
1084 3/4 x 3 P 58



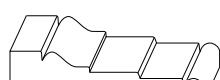
1085 3/4 x 3 P 43



1086 13/16 x 2 13/16 P 48



1087 13/16 x 2 9/16 P 39



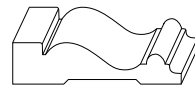
1088 11/16 x 4 P 28



1089 7/8 x 2 9/16 P 58



1090 3/4 x 2 5/8 P 25



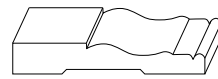
1091 13/16 x 3 1/2 P 46



1092 3/4 x 2 3/4 P 38



1093 1 1/16 x 4 1/4 P 37



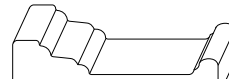
1094 5/8 x 4 P 32



1095 7/8 x 3 P 238



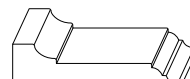
1096 1 x 3 1/4 P 45



1097 1 3/16 x 4 1/4 P 62



1098 3/4 x 3 5/16 P 45



1099 1 x 3 7/16 P 35



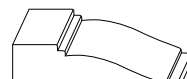
1100 3/4 x 2 3/4 P 38



1101 3/4 x 3 1/2 P 26



1102 3/4 x 3 P 71



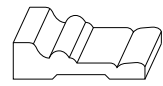
1103 1 1/8 x 3 3/8 P 242



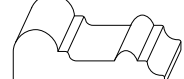
1104 11/16 x 2 3/4 P 79



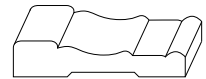
1105 5/8 x 3 3/4 P 143



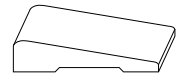
1106 3/4 x 2 3/4 P 39



1107 1 3/16 x 3 1/8 P 227



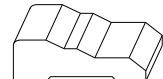
1108 3/4 x 3 1/2 P 33



1109 5/8 x 3 1/2 P 79



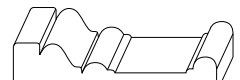
1110 13/16 x 2 5/8 P 42



1111 13/16 x 2 3/4 P 53, 112



1112 3/4 x 2 5/8 P 36



1113 1 x 4 1/4 P 41



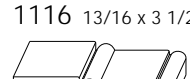
1114 1 1/16 x 4 P 43



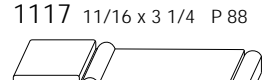
1115 3/4 x 3 1/2 P 66



1116 13/16 x 3 1/2 P 56



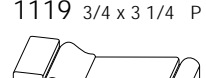
1117 11/16 x 3 1/4 P 88



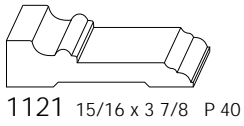
1118 11/16 x 4 3/4 P 88



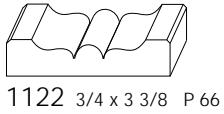
1119 3/4 x 3 1/4 P 62



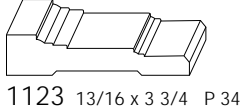
1120 7/8 x 3 1/2 P 27



1121 15/16 x 3 7/8 P 40



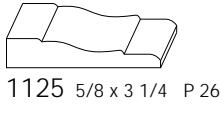
1122 3/4 x 3 3/8 P 66



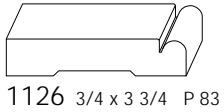
1123 13/16 x 3 3/4 P 34



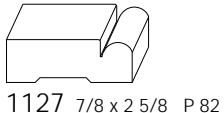
1124 1 x 5 1/2 P 52



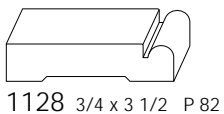
1125 5/8 x 3 1/4 P 26



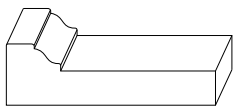
1126 3/4 x 3 3/4 P 83



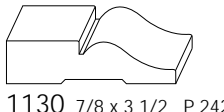
1127 7/8 x 2 5/8 P 82



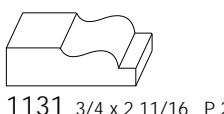
1128 3/4 x 3 1/2 P 82



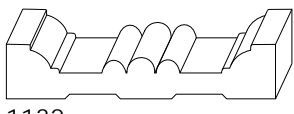
1129 1 1/4 x 4 3/8 P 29



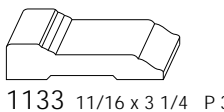
1130 7/8 x 3 1/2 P 242



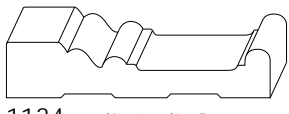
1131 3/4 x 2 11/16 P 258



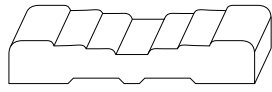
1132 1 1/8 x 5 5/8 P 67



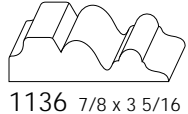
1133 11/16 x 3 1/4 P 35



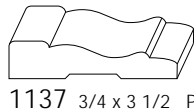
1134 1 1/8 x 5 1/2 P 41



1135 7/8 x 5 1/8 P 68



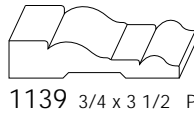
1136 7/8 x 3 5/16 P 236



1137 3/4 x 3 1/2 P 25



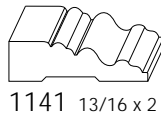
1138 5/8 x 2 1/2 P 26



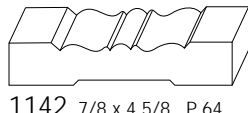
1139 3/4 x 3 1/2 P 45



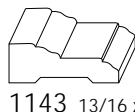
1140 11/16 x 2 1/2 P 25



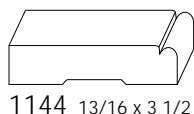
1141 13/16 x 2 7/8 P 44



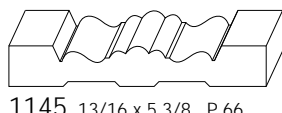
1142 7/8 x 4 5/8 P 64



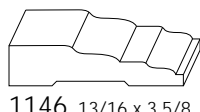
1143 13/16 x 2 1/4 P 35



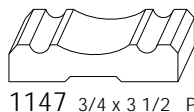
1144 13/16 x 3 1/2 P 82



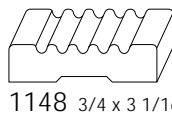
1145 13/16 x 5 3/8 P 66



1146 13/16 x 3 5/8 P 34



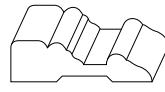
1147 3/4 x 3 1/2 P 70



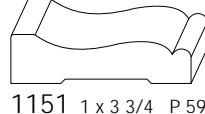
1148 3/4 x 3 1/16 P 73



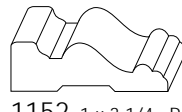
1149 1 1/8 x 4 1/2 P 32



1150 7/8 x 2 15/16 P 43



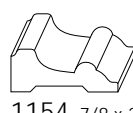
1151 1 x 3 3/4 P 59



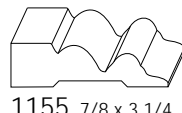
1152 1 x 3 1/4 P 44



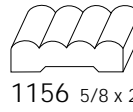
1153 3/4 x 3 P 68



1154 7/8 x 2 1/4 P 247



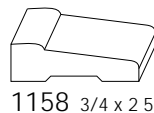
1155 7/8 x 3 1/4 P 235



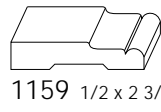
1156 5/8 x 2 3/8 P 74



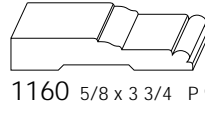
1157 1 1/8 x 3 P 47



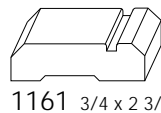
1158 3/4 x 2 5/8 P 30



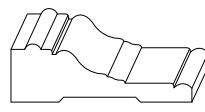
1159 1/2 x 2 3/4 P 87



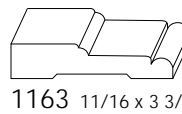
1160 5/8 x 3 3/4 P 90



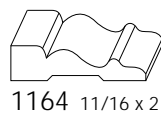
1161 3/4 x 2 3/4 P 54



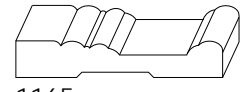
1162 1 3/16 x 3 3/4 P 56



1163 11/16 x 3 3/8 P 88



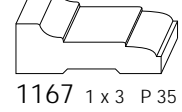
1164 11/16 x 2 7/8 P 44



1165 3/4 x 4 1/2 P 42



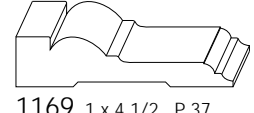
1166 11/16 x 3 5/8 P 60



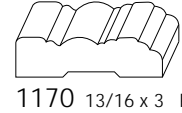
1167 1 x 3 P 35



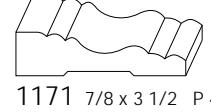
1168 1 x 4 1/2 P 36



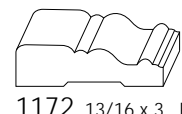
1169 1 x 4 1/2 P 37



1170 13/16 x 3 P 60



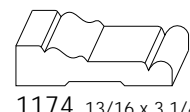
1171 7/8 x 3 1/2 P 43



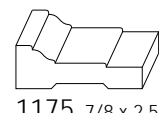
1172 13/16 x 3 P 43



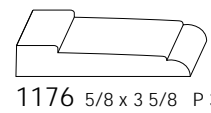
1173 1 5/16 x 5 P 45



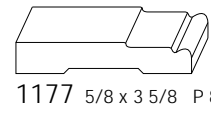
1174 13/16 x 3 1/4 P 33



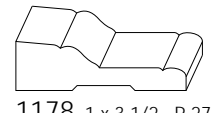
1175 7/8 x 2 5/8 P 30



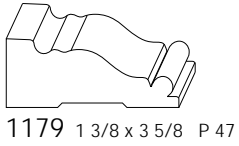
1176 5/8 x 3 5/8 P 30



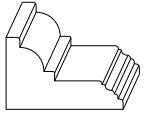
1177 5/8 x 3 5/8 P 87



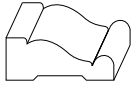
1178 1 x 3 1/2 P 27



1179 1 3/8 x 3 5/8 P 47



1180 1 1/2 x 2 1/2 P 58



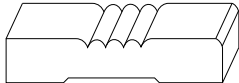
1181 7/8 x 2 1/4 P 32



1182 5/8 x 3 P 79



1183 9/16 x 4 P 80



1184 7/8 x 4 1/2 P 69



1185 5/8 x 3 1/2 P 42



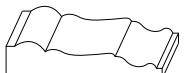
1186 7/8 x 3 1/2 P 46



1187 13/16 x 3 1/2 P 59



1188 7/8 x 3 1/2 P 58



1189 3/4 x 3 1/4 P 63



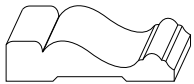
1190 3/4 x 3 1/2 P 34



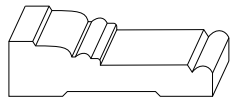
1191 7/8 x 3 1/4 P 79



1192 13/16 x 3 1/8 P 27



1193 13/16 x 3 1/2 P 46



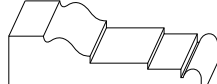
1194 1 1/8 x 4 1/4 P 38



1195 5/8 x 3 3/8 P 82



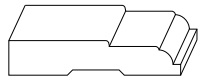
1196 9/16 x 2 1/4 P 70



1197 1 1/4 x 4 P 28



1198 11/16 x 3 9/16 P 53



1199 11/16 x 3 9/16 P 51



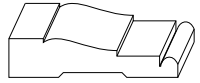
1200 3/4 x 3 5/8 P 87



1201 15/16 x 3 P 235



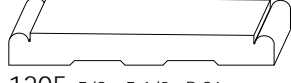
1202 3/4 x 2 3/4 P 82



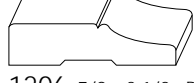
1203 3/4 x 3 1/2 P 32



1204 5/8 x 3 1/4 P 85



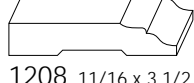
1205 5/8 x 5 1/2 P 86



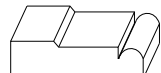
1206 7/8 x 3 1/2 P 248



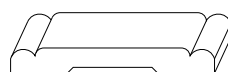
1207 13/16 x 3 1/2 P 62



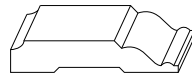
1208 11/16 x 3 1/2 P 118



1209 3/4 x 2 3/4 P 87



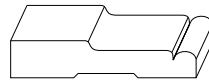
1210 1/2 x 4 1/4 P 86



1211 5/8 x 3 1/2 P 55



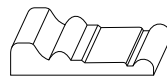
1212 13/16 x 4 3/4 P 63



1213 3/4 x 3 7/8 P 87



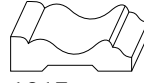
1214 1 x 3 1/2 P 40



1215 5/8 x 3 P 39



1216 1 1/16 x 3 7/8 P 235



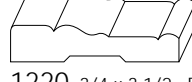
1217 3/4 x 2 1/2 P 44



1218 3/4 x 3 1/2 P 60



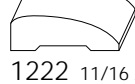
1219 13/16 x 2 1/2 P 247



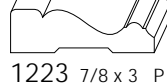
1220 3/4 x 3 1/2 P 33



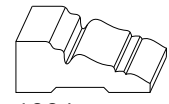
1221 11/16 x 2 1/4 P 29



1222 11/16 x 2 1/4 P 80



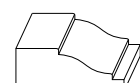
1223 7/8 x 3 P 46



1224 1 1/16 x 2 13/16 P 63



1225 1 x 3 5/8 P 88



1226 7/8 x 2 1/4 P 242



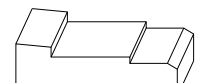
1227 5/8 x 2 1/4 P 70



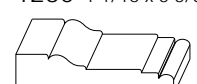
1228 1 1/8 x 3 3/4 P 236



1229 1 x 2 1/4 P 34



1230 1 1/16 x 3 3/8 P 53



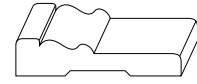
1231 13/16 x 3 5/16 P 27



1232 3/4 x 3 1/2 P 51



1233 3/4 x 3 3/8 P 25



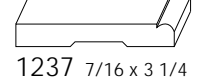
1234 3/4 x 3 1/2 P 42



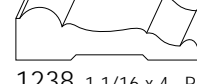
1235 3/4 x 3 1/2 P 52



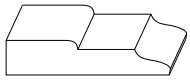
1236 3/4 x 3 1/2 P 39



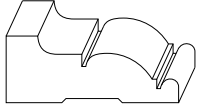
1237 7/16 x 3 1/4 P 82



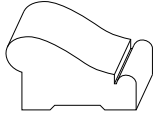
1238 1 1/16 x 4 P 264



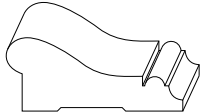
1239 11/16 x 3 7/16 P 51



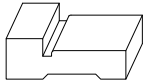
1240 1 3/8 x 3 5/8 P 47



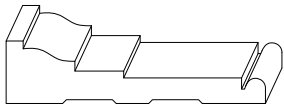
1241 1 1/2 x 2 11/16 P 91



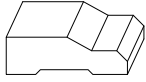
1242 1 1/2 x 3 11/16 P 91



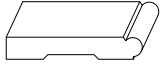
1243 3/4 x 2 1/2 P 54



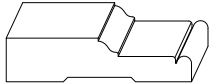
1244 1 1/4 x 5 3/8 P 29



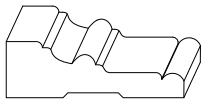
1245 3/4 x 2 1/2 P 53, 112



1246 7/16 x 2 13/16 P 81



1247 7/8 x 3 13/16 P 89



1248 1 1/8 x 3 11/16 P 39



1249 3/4 x 3 1/8 P 81



1250 3/4 x 2 3/4 P 44



1251 3/4 x 3 3/8 P 54



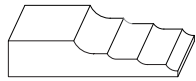
1252 11/16 x 3 1/4 P 45



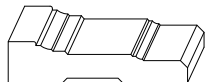
1253 7/8 x 3 15/16 P 29



1254 13/16 x 3 1/4 P 56



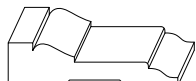
1255 11/16 x 3 1/2 P 51



1256 13/16 x 3 3/4 P 34



1257 3/4 x 2 5/8 P 238



1258 7/8 x 3 1/2 P 27



1259 3/8 x 2 1/4 P 70



1260 3/4 x 3 1/2 P 49



1261 11/16 x 2 1/4 P 29



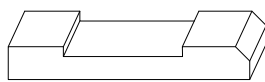
1262 1/2 x 2 1/4 P 66



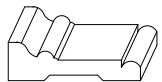
1263 13/16 x 2 7/8 P 34



1264 1 1/4 x 3 3/4 P 47



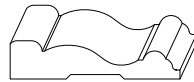
1265 5/8 x 5 P 54



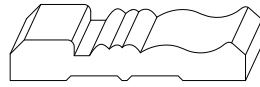
1266 3/4 x 2 3/4 P 39



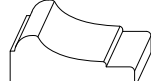
1267 1 x 4 P 46



1268 3/4 x 3 1/2 P 46



1269 13/16 x 4 7/8 P 57



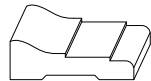
1270 1 x 2 7/8 P 248



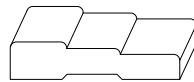
1271 7/8 x 2 3/4 P 238



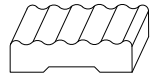
1272 11/16 x 2 11/16 P 26



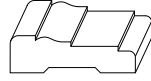
1273 13/16 x 2 9/16 P 29



1274 3/4 x 3 1/2 P 52



1275 5/8 x 2 1/2 P 74



1276 3/4 x 2 5/8 P 30



1277 3/4 x 2 1/2 P 38



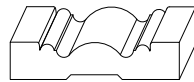
1278 11/16 x 3 1/2 P 147



1279 3/4 x 2 3/4 P 52



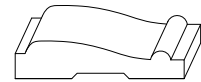
1280 1 1/8 x 3 9/16 P 236



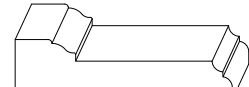
1281 3/4 x 3 1/2 P 64



1282 3/4 x 3 1/2 P 60



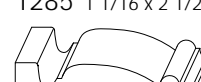
1283 3/4 x 3 1/2 P 242



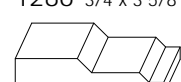
1284 1 3/16 x 4 1/2 P 35



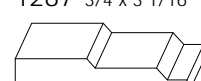
1285 1 1/16 x 2 1/2 P 58



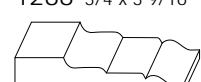
1286 3/4 x 3 5/8 P 48



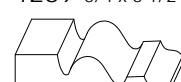
1287 3/4 x 3 1/16 P 53



1288 3/4 x 3 9/16 P 53



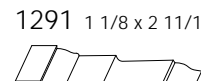
1289 3/4 x 3 1/2 P 34



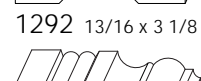
1290 7/8 x 3 1/8 P 235



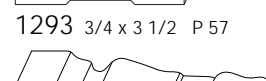
1291 1 1/8 x 2 11/16 P 42



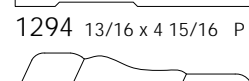
1292 13/16 x 3 1/8 P 35



1293 3/4 x 3 1/2 P 57



1294 13/16 x 4 15/16 P 63



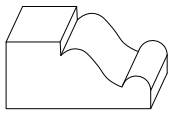
1295 13/16 x 4 1/2 P 26



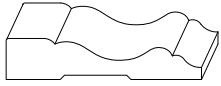
1296 13/16 x 3 1/2 P 38



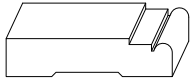
1297 1 x 2 1/2 P 62



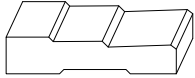
1298 1 3/8 x 3 P 241



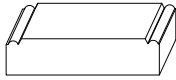
1299 1 3/16 x 4 1/16 P 45



1300 3/4 x 3 1/2 P 87



1301 3/4 x 3 1/2 P 53



1302 3/4 x 3 1/4 P 85



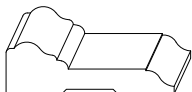
1303 7/8 x 3 1/2 P 238



1304 1 x 4 P 38



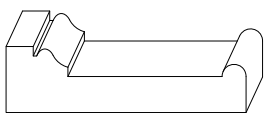
1305 3/4 x 2 9/16 P 62



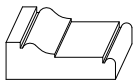
1306 1 1/16 x 3 1/2 P 63



1307 5/8 x 3 P 39



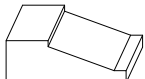
1308 1 3/8 x 5 P 57



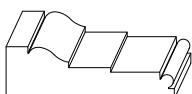
1309 3/4 x 2 1/4 P 27



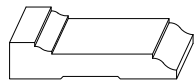
1310 5/8 x 3 1/2 P 49



1311 7/8 x 2 1/2 P 249



1312 1 1/16 x 3 1/2 P 33



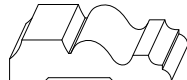
1313 3/4 x 3 1/2 P 35



1314 1 3/16 x 4 P 25



1315 3/4 x 4 P 32



1316 7/8 x 3 3/8 P 236



1317 1 3/16 x 3 1/2 P 303



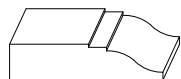
1318 3/4 x 3 1/2 P 82



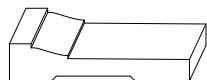
1319 1 3/16 x 3 1/2 P 48



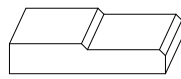
1320 7/8 x 3 1/2 P 36



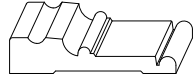
1321 3/4 x 3 1/4 P 117



1322 1 3/16 x 3 3/4 P 30



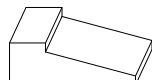
1323 5/8 x 3 1/2 P 53, 112



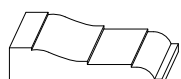
1324 3/4 x 3 1/2 P 56



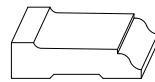
1325 7/8 x 3 11/16 P 59



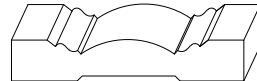
1326 7/8 x 2 5/8 P 249



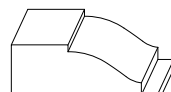
1327 1 3/16 x 3 3/16 P 36



1328 3/4 x 2 3/4 P 34



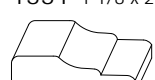
1329 7/8 x 4 7/8 P 64



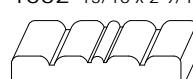
1330 1 1/4 x 3 P 241



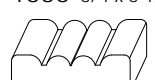
1331 1 1/8 x 2 3/4 P 241



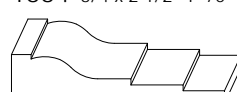
1332 1 3/16 x 2 9/16 P 62



1333 3/4 x 3 1/2 P 70



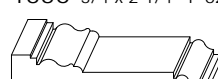
1334 3/4 x 2 1/2 P 70



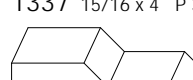
1335 1 x 4 1/2 P 30



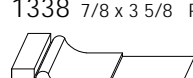
1336 3/4 x 2 1/4 P 62



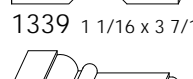
1337 1 5/16 x 4 P 37



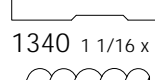
1338 7/8 x 3 5/8 P 53



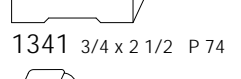
1339 1 1/16 x 3 7/16 P 30



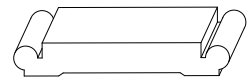
1340 1 1/16 x 3 1/2 P 38



1341 3/4 x 2 1/2 P 74



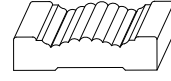
1342 1 x 4 1/2 P 39



1343 3/4 x 3 1/2 P 86



1344 3/4 x 3 15/16 P 55



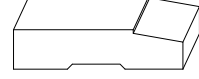
1345 1 1/16 x 3 P 68



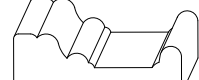
1346 3/4 x 3 1/2 P 62



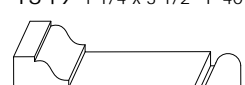
1347 3/4 x 3 1/2 P 32



1348 1 3/16 x 3 1/2 P 54



1349 1 1/4 x 3 1/2 P 40



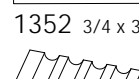
1350 1 1/8 x 4 P 31



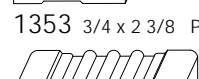
1351 7/8 x 3 1/16 P 47



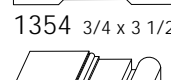
1352 3/4 x 3 1/4 P 73



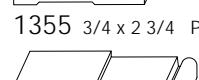
1353 3/4 x 2 3/8 P 73



1354 3/4 x 3 1/2 P 70



1355 3/4 x 2 3/4 P 88

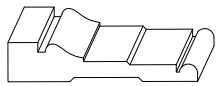


1356 9/16 x 3 1/2 P 87



1357 3/4 x 3 1/2 P 44

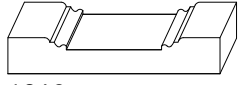




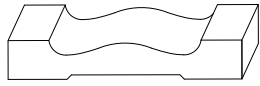
1358 13/16 x 4 P 27



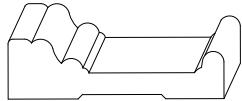
1359 3/4 x 3 1/2 P 52



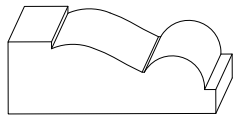
1360 3/4 x 4 3/8 P 69



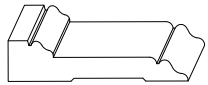
1361 13/16 x 4 7/8 P 65



1362 1 1/4 x 4 1/2 P 41



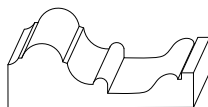
1363 1 1/2 x 4 3/8 P 241



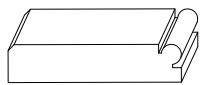
1364 1 1/4 x 4 1/2 P 36



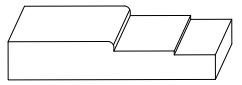
1365 1 x 3 1/2 P 58



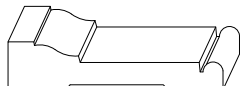
1366 1 3/8 x 3 7/8 P 58



1367 1 3/16 x 3 5/8 P 81



1368 13/16 x 4 3/8 P 50



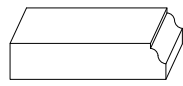
1369 1 x 5 P 31



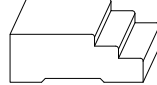
1370 7/8 x 3 5/8 P 55



1371 13/16 x 2 3/8 P 254



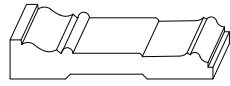
1372 3/4 x 3 1/4 P 117



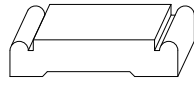
1373 1 x 2 3/4 P 49



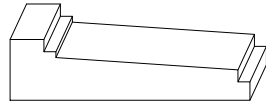
1374 1 1/16 x 2 1/4 P 25



1375 13/16 x 4 1/4 P 37



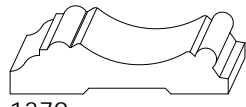
1376 3/4 x 3 1/2 P 85



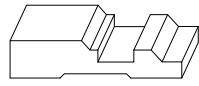
1377 1 1/4 x 5 P 31



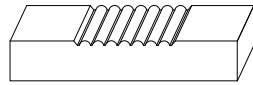
1378 1 1/4 x 6 1/2 P 31



1379 1 1/16 x 4 1/2 P 57



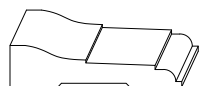
1380 3/4 x 4 P 54



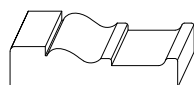
1381 7/8 x 4 3/4 P 71



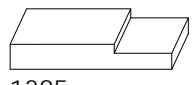
1382 1 x 4 1/2 P 47



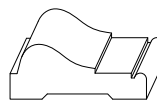
1383 7/8 x 3 5/8 P 36



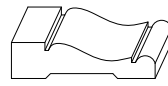
1384 7/8 x 3 1/2 P 42



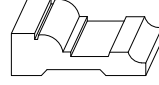
1385 1/2 x 3 1/16 P 49



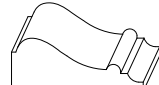
1386 13/16 x 2 7/8 P 228



1387 3/4 x 3 P 32



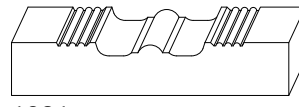
1388 7/8 x 2 13/16 P 38



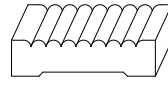
1389 1 1/8 x 2 3/4 P 228



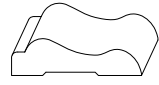
1390 1 x 3 9/16 P 40



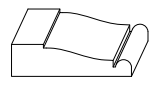
1391 1 1/8 x 5 13/16 P 68



1392 3/4 x 3 P 71



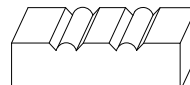
1393 3/4 x 2 3/4 P 264



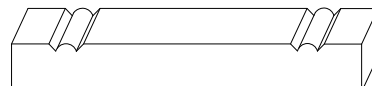
1394 1 1/16 x 2 1/2 P 32



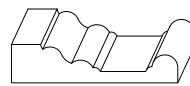
1395 3/4 x 3 1/2 P 79



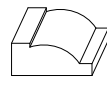
1396 1 x 3 1/2 P 72



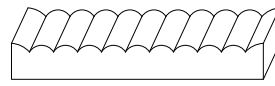
1397 1 x 7 1/4 P 72



1398 15/16 x 3 1/2 P 40



1399 3/4 x 1 3/4 P 261



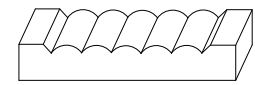
1400 3/4 x 5 1/4 P 75



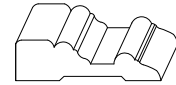
1401 13/16 x 5 P 63



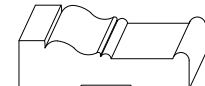
1402 1 x 4 1/2 P 44



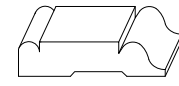
1403 3/4 x 4 1/2 P 75



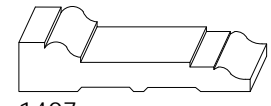
1404 13/16 x 2 7/8 P 43



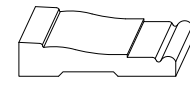
1405 1 x 3 1/2 P 57



1406 1 1/16 x 3 P 91



1407 1 x 4 3/4 P 36



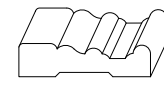
1408 1 1/16 x 3 1/2 P 63



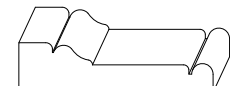
1409 13/16 x 3 9/16 P 48



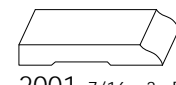
1410 13/16 x 3 9/16 P 91



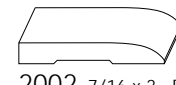
1411 1 1/16 x 2 3/4 P 42



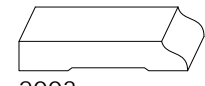
1428 1 1/16 x 4 1/16 P 28



2001 7/16 x 3 P 6, 145



2002 7/16 x 3 P 6, 79, 145



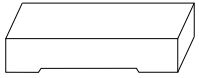
2003 5/8 x 3 1/2 P 6, 145



2004 5/8 x 3 1/2 P 79, 144



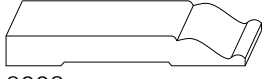
2005 11/16 x 4 1/2 P 6, 119



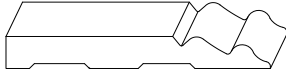
2006 11/16 x 3 1/2 P 158



2007 11/16 x 3 1/2 P 6, 119



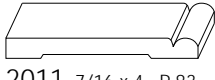
2008 5/8 x 5 P 126



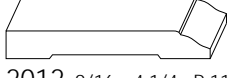
2009 11/16 x 5 1/2 P 6, 129



2010 5/8 x 3 1/2 P 6, 126



2011 7/16 x 4 P 83



2012 9/16 x 4 1/4 P 118



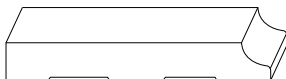
2013 3/4 x 5 1/4 P 145



2014 11/16 x 4 3/8 P 150



2015 11/16 x 4 1/2 P 145



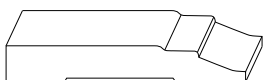
2016 3/4 x 5 1/2 P 146



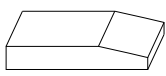
2017 3/4 x 3 1/2 P 158



2018 3/4 x 3 1/2 P 140



2019 3/4 x 5 P 152



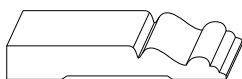
2020 1/2 x 3 P 151



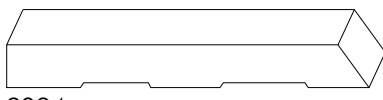
2021 7/8 x 3 1/2 P 118



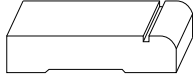
2022 11/16 x 4 P 125



2023 11/16 x 4 1/2 P 127



2024 7/8 x 7 1/2 P 150

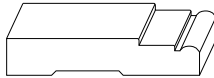


2025 3/4 x 3 1/2 P 140

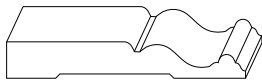


2026a 13/16 x 5 1/4 P 128

2026b 11/16 x 2 3/4 P 128



2027 3/4 x 4 P 87



2028 3/4 x 5 P 127



2029 5/8 x 3 1/2 P 117



2030 11/16 x 5 3/8 P 129



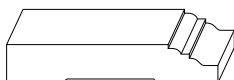
2031 11/16 x 4 P 118



2032 7/8 x 4 P 140



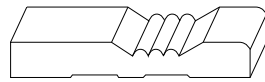
2033 3/4 x 5 P 144



2034 13/16 x 4 3/8 P 125



2035 5/8 x 5 7/8 P 135



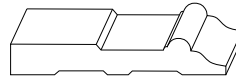
2036 3/4 x 5 P 141



2037 3/4 x 5 P 89



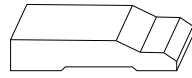
2038 3/4 x 5 1/2 P 127



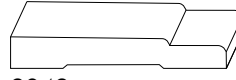
2039 3/4 x 4 1/2 P 135



2040 3/4 x 5 1/2 P 138



2041 5/8 x 3 1/2 P 153



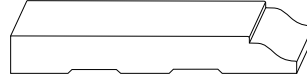
2042 5/8 x 4 1/2 P 149



2043 9/16 x 5 1/4 P 125



2044 5/8 x 3 P 143



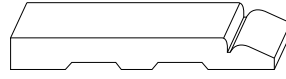
2045 3/4 x 6 P 117



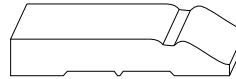
2046 5/8 x 4 P 131



2047 11/16 x 5 1/2 P 121



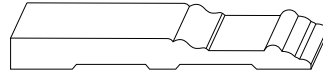
2048 5/8 x 5 1/2 P 121



2049 3/4 x 4 1/2 P 119



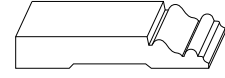
2050 9/16 x 5 P 159



2051 5/8 x 6 1/4 P 160



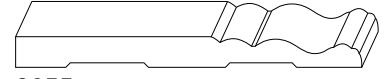
2052 5/8 x 6 P 130



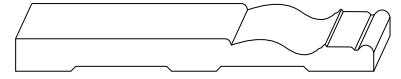
2053 5/8 x 4 P 127



2054 3/4 x 6 P 88



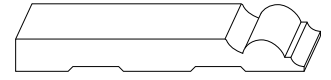
2055 5/8 x 7 1/4 P 131



2056 5/8 x 7 1/2 P 138



2057 9/16 x 3 1/2 P 145



2058 11/16 x 6 P 135



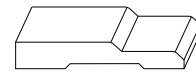
2059 1 1/6 x 7 1/4 P 130



2060 3/4 x 5 1/2 P 128



2061 3/4 x 7 1/2 P 83



2062 5/8 x 3 1/2 P 153



2063 3/4 x 5 P 133



2064 3/4 x 7 P 121



2065 3/4 x 7 1/2 P 138



2066 3/4 x 4 1/4 P 140



2067 3/4 x 6 P 90



2068 3/4 x 5 P 124



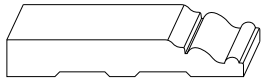
2069 3/4 x 4 1/2 P 133



2070 7/16 x 3 P 147



2071 7/8 x 6 1/4 P 146



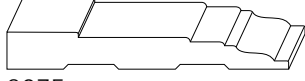
2072 3/4 x 5 P 129



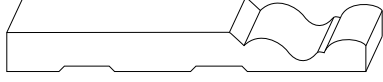
2073 11/16 x 5 1/4 P 136



2074 5/8 x 5 1/2 P 121



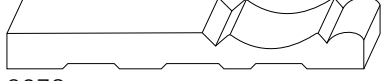
2075 3/4 x 5 7/8 P 148



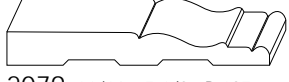
2076 13/16 x 7 1/2 P 138



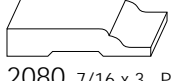
2077 3/4 x 8 P 139



2078 3/4 x 7 1/2 P 139



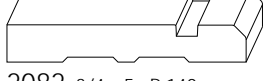
2079 11/16 x 5 1/2 P 137



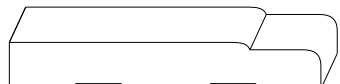
2080 7/16 x 3 P 158



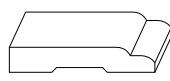
2081 7/8 x 5 3/4 P 134



2082 3/4 x 5 P 140



2083 15/16 x 6 1/2 P 150



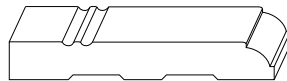
2084 1/2 x 3 P 149



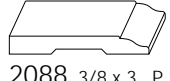
2085 3/4 x 4 1/2 P 140



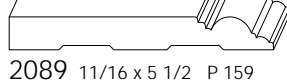
2086 1/2 x 5 1/2 P 136



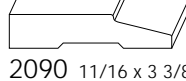
2087 3/4 x 5 1/2 P 143



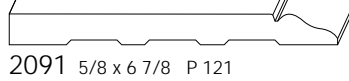
2088 3/8 x 3 P 117



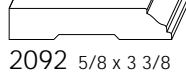
2089 11/16 x 5 1/2 P 159



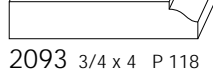
2090 11/16 x 3 3/8 P 152



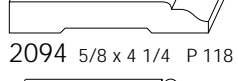
2091 5/8 x 6 7/8 P 121



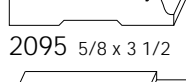
2092 5/8 x 3 3/8 P 123



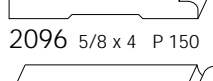
2093 3/4 x 4 P 118



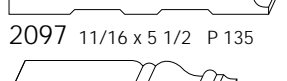
2094 5/8 x 4 1/4 P 118



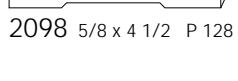
2095 5/8 x 3 1/2 P 119



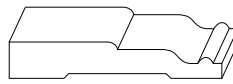
2096 5/8 x 4 P 150



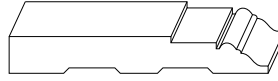
2097 11/16 x 5 1/2 P 135



2098 5/8 x 4 1/2 P 128



2099 3/4 x 4 1/2 P 158



2100 3/4 x 5 1/2 P 159



2101 3/4 x 7 1/8 P 123



2102 11/16 x 5 1/2 P 139



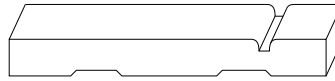
2103 11/16 x 3 7/8 P 129



2104 3/4 x 5 1/2 P 117



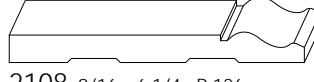
2105 3/4 x 7 1/4 P 122



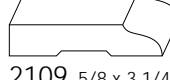
2106 3/4 x 6 3/4 P 141



2107 5/8 x 4 1/2 P 129



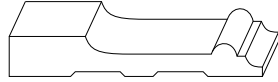
2108 9/16 x 6 1/4 P 126



2109 5/8 x 3 1/4 P 145



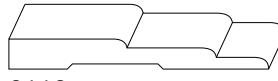
2110 1 1/8 x 6 P 153



2111 7/8 x 5 3/8 P 134



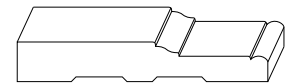
2112 3/4 x 5 1/2 P 120



2113 5/8 x 5 1/2 P 150



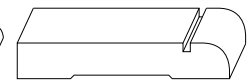
2114 7/8 x 5 5/16 P 90



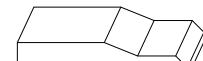
2115 13/16 x 5 5/16 P 89



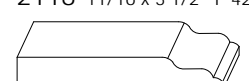
2116 13/16 x 4 3/4 P 89



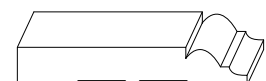
2117 3/4 x 4 1/2 P 140



2118 11/16 x 3 1/2 P 426



2119 5/8 x 4 1/4 P 148



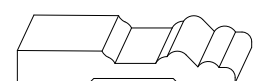
2120 3/4 x 4 3/4 P 133



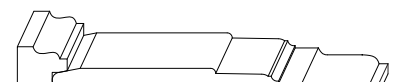
2121 11/16 x 5 P 136



2122 3/4 x 3 1/2 P 143



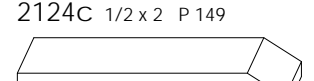
2123 5/8 x 4 1/2 P 129



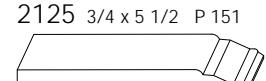
2124a 1 1/4 x 1 P 149

2124b 13/16 x 4 7/8 P 149

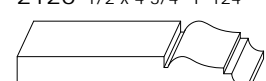
2124c 1/2 x 2 P 149



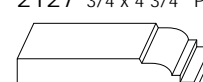
2125 3/4 x 5 1/2 P 151



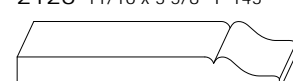
2126 1/2 x 4 3/4 P 124



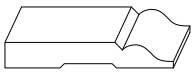
2127 3/4 x 4 3/4 P 135



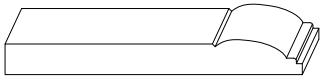
2128 11/16 x 3 5/8 P 143



2129 11/16 x 5 7/16 P 119



2130 1/2 x 3 1/2 P 119



2131 11/16 x 6 1/8 P 160



2132 5/8 x 3 1/2 P 147



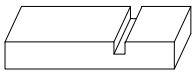
2133 5/8 x 3 1/2 P 144



2134 7/16 x 3 1/4 P 141



2135 5/8 x 4 P 123



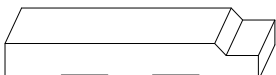
2136 1/2 x 3 1/2 P 157



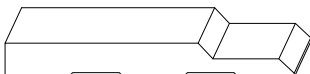
2137 5/8 x 7 P 154



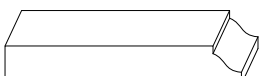
2138 5/8 x 8 P 155



2139 3/4 x 5 1/4 P 153



2140 11/16 x 6 P 154



2141 3/4 x 4 7/8 P 117



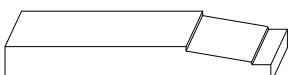
2142 11/16 x 7 1/4 P 132



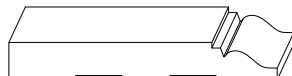
2143 5/8 x 5 P 139



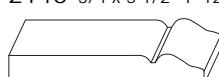
2144 11/16 x 6 P 154



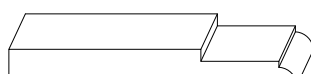
2145 3/4 x 5 1/2 P 152



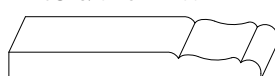
2146 3/4 x 5 1/2 P 120



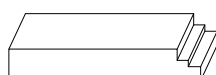
2147 9/16 x 4 P 119



2148 3/4 x 6 P 144



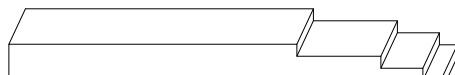
2149 9/16 x 5 1/4 P 137



2150 5/8 x 4 P 156



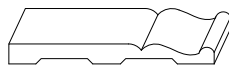
2151 7/8 x 8 P 146



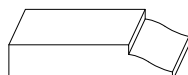
2152 1 x 9 P 156



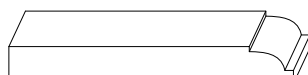
2153 7/8 x 6 1/8 P 144



2154 7/16 x 4 1/4 P 137



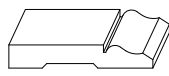
2155 3/4 x 3 1/2 P 117



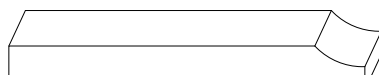
2156 3/4 x 6 P 143



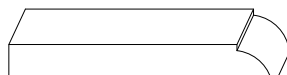
2157 11/16 x 5 1/4 P 132



2158 1/2 x 3 P 125



2159 7/8 x 7 3/8 P 146



2160 7/8 x 5 1/2 P 144



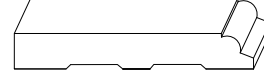
2161 5/8 x 4 1/2 P 159



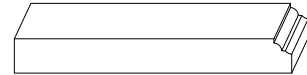
2162 9/16 x 4 1/4 P 159



2163 5/8 x 6 1/8 P 157



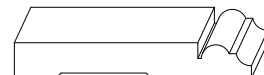
2164 3/4 x 5 P 143



2165 3/4 x 5 3/4 P 125



2166 5/8 x 6 P 160



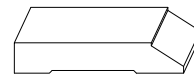
2167 3/4 x 5 P 133



2168 5/8 x 5 1/2 P 151



2169 3/4 x 9 1/2 P 132



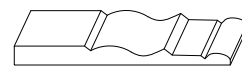
2170 5/8 x 3 1/2 P 152



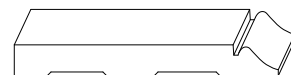
2171 5/8 x 5 1/4 P 151



2172 3/4 x 5 1/2 P 153



2173 3/8 x 4 1/2 P 137



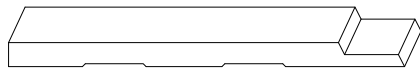
2174 5/8 x 5 1/2 P 120



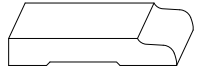
2175 3/4 x 7 P 132



2176 5/8 x 7 1/4 P 152



2177 1/2 x 8 1/4 P 155



2178 9/16 x 3 1/2 P 147



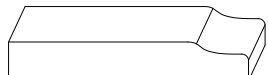
2179 5/8 x 3 1/2 P 145



2180 13/16 x 7 1/2 P 149



2181 3/4 x 6 3/4 P 145



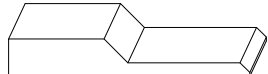
2182 13/16 x 5 P 147



2183 7/8 x 7 1/8 P 148



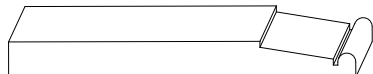
2184 5/8 x 3 5/8 P 156



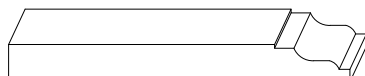
2185 3/4 x 5 P 153



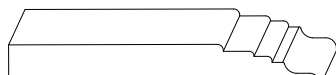
2186 11/16 x 5 3/4 P 134



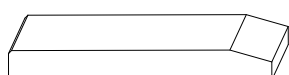
2187 3/4 x 7 1/4 P 139



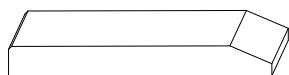
2188 13/16 x 7 1/4 P 149



2189 7/8 x 6 1/2 P 148



2190 5/8 x 5 1/2 P 151



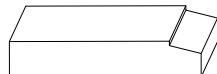
2191 5/8 x 5 1/2 P 151



2192 9/16 x 5 1/2 P 157



2193 3/4 x 5 1/2 P 134



2194 3/4 x 4 P 152



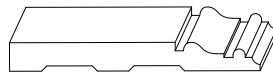
2195 7/8 x 8 P 142



2196 11/16 x 4 1/4 P 118



2197 3/4 x 3 1/2 P 129



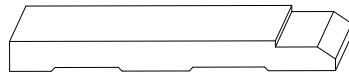
2198 5/8 x 5 1/4 P 127



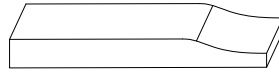
2199 3/4 x 5 5/8 P 130



2200 19/32 x 7 1/4 P 126



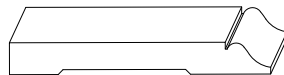
2201 5/8 x 6 3/4 P 154



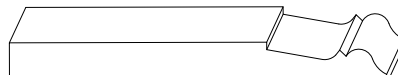
2202 5/8 x 5 3/8 P 147



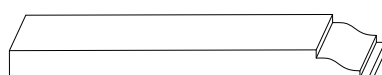
2203 3/4 x 4 3/4 P 124



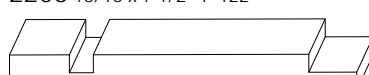
2204 3/4 x 5 1/2 P 120



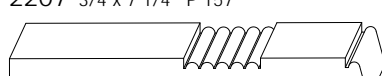
2205 7/8 x 7 7/8 P 131



2206 13/16 x 7 1/2 P 122



2207 3/4 x 7 1/4 P 157



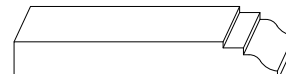
2208 13/16 x 7 3/8 P 141



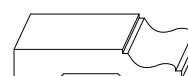
2209 1 1/16 x 8 9/16 P 122



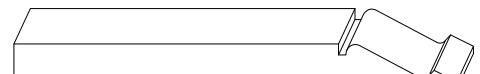
2210 11/16 x 5 1/4 P 137



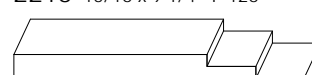
2211 13/16 x 5 1/2 P 122



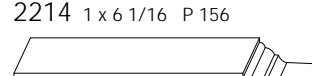
2212 5/8 x 3 1/2 P 158



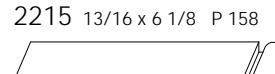
2213 15/16 x 9 1/4 P 126



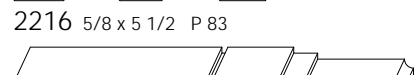
2214 1 x 6 1/16 P 156



2215 13/16 x 6 1/8 P 158



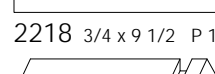
2216 5/8 x 5 1/2 P 83



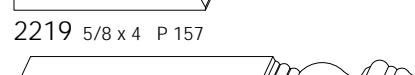
2217 3/4 x 8 P 155



2218 3/4 x 9 1/2 P 155



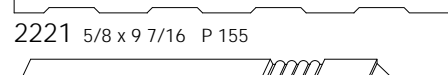
2219 5/8 x 4 P 157



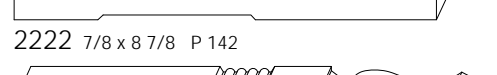
2220 11/16 x 7 1/2 P 131



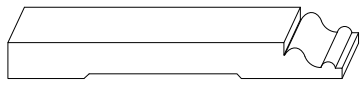
2221 5/8 x 9 7/16 P 155



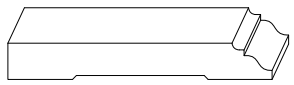
2222 7/8 x 8 7/8 P 142



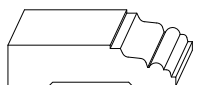
2223 15/16 x 9 9/16 P 142



2224 3/4 x 7 P 130



2225 3/4 x 5 1/2 P 123



2226 7/8 x 3 1/2 P 158



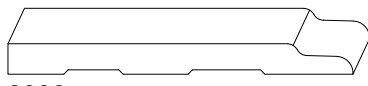
2227 3/4 x 4 7/16 P 124



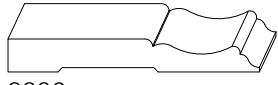
2228a 3/4 x 4 7/8 P 123



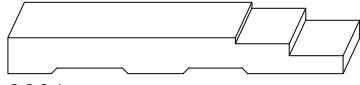
2228b 3/4 x 4 7/8 P 123



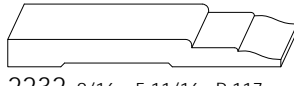
2229 5/8 x 7 1/4 P 147



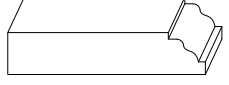
2230 1 1/16 x 5 1/4 P 131



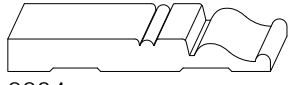
2231 3/4 x 7 P 156



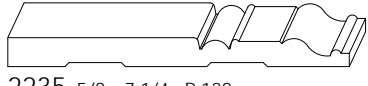
2232 9/16 x 5 11/16 P 117



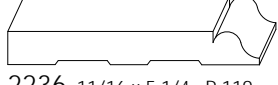
2233 7/8 x 4 1/8 P 124



2234 1 1/16 x 5 1/2 P 136



2235 5/8 x 7 1/4 P 128



2236 1 1/16 x 5 1/4 P 119



3001 3/4 x 1 3/4 P 7, 186



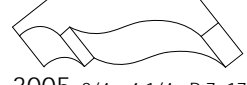
3002 3/4 x 2 3/8 P 7, 206



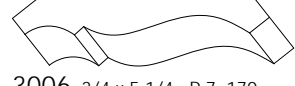
3003 3/4 x 3 1/4 P 205



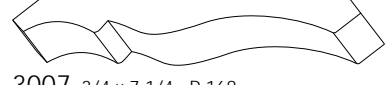
3004 3/4 x 3 1/4 P 7, 176



3005 3/4 x 4 1/4 P 7, 175



3006 3/4 x 5 1/4 P 7, 170



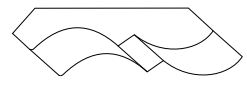
3007 3/4 x 7 1/4 P 168



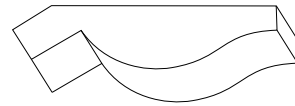
3008 1 3/8 x 2 3/4 P 197



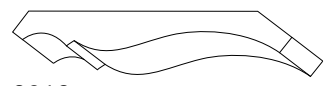
3009 3/4 x 5 1/4 P 206



3010 1 3/16 x 4 1/8 P 185



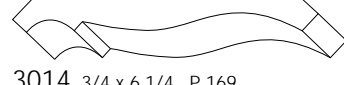
3011 1 1/4 x 5 1/2 P 162



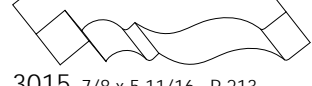
3012 1 3/16 x 5 3/4 P 173



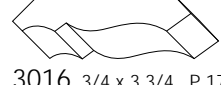
3013 5/8 x 1 5/8 P 165



3014 3/4 x 6 1/4 P 169



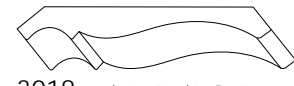
3015 7/8 x 5 11/16 P 213



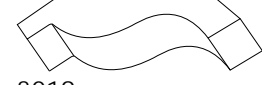
3016 3/4 x 3 3/4 P 175



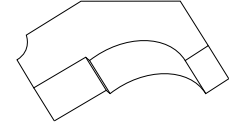
3017 1 3/4 x 7 1/8 P 188



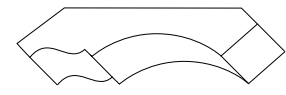
3018 1 1/16 x 5 1/4 P 171



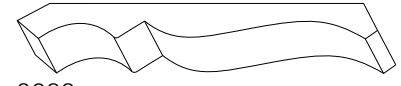
3019 1 3/16 x 4 5/8 P 163



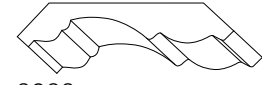
3020 1 3/4 x 3 7/8 P 201



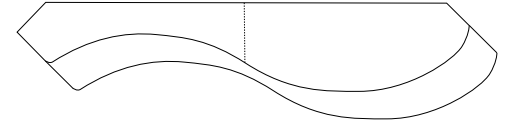
3021 1 x 5 P 209



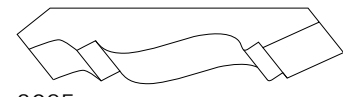
3022 3/4 x 7 1/2 P 168



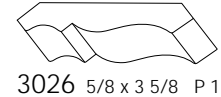
3023 1 3/16 x 4 1/2 P 215



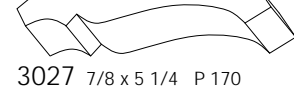
3024 1 7/8 x 9 5/8 P 189



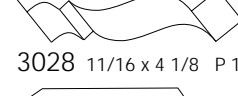
3025 1 5/16 x 6 1/4 P 216



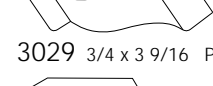
3026 5/8 x 3 5/8 P 176



3027 7/8 x 5 1/4 P 170



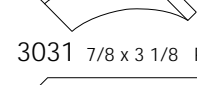
3028 1 1/16 x 4 1/8 P 175



3029 3/4 x 3 9/16 P 165



3030 1 1/16 x 2 5/8 P 165



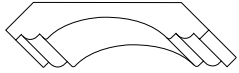
3031 7/8 x 3 1/8 P 198



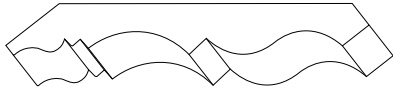
3032 1 1/16 x 6 P 179



3033 1/2 x 1 3/4 P 177



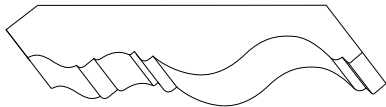
3034 3/4 x 4 3/16 P 8, 206



3035 1 1/16 x 7 1/2 P 212



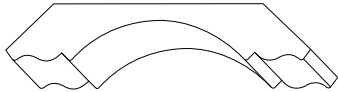
3036 1 1/2 x 5 P 187



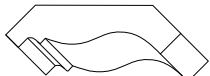
3037 1 7/16 x 7 3/8 P 214



3038 3/4 x 2 1/8 P 186



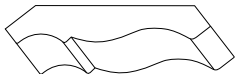
3039 1 3/16 x 6 1/4 P 207



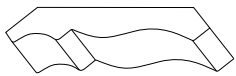
3040 1 x 3 5/8 P 177



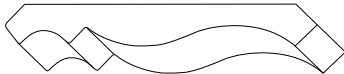
3041 7/8 x 5 1/2 P 163



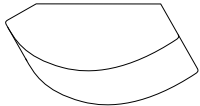
3042 3/4 x 4 1/4 P 174



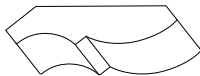
3043 3/4 x 4 1/4 P 174



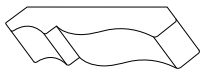
3044 7/8 x 6 7/16 P 169



3045 1 3/8 x 3 5/8 P 257, 289



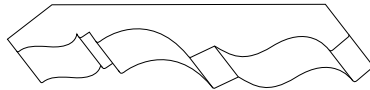
3046 3/4 x 3 1/2 P 185



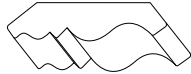
3047 5/8 x 3 9/16 P 175



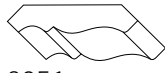
3048 3/4 x 2 1/4 P 290



3049 1 1/16 x 7 1/8 P 212



3050 3/4 x 3 1/4 P 181



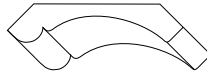
3051 9/16 x 2 5/8 P 177



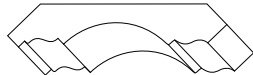
3052 3/4 x 3 1/4 P 177



3053 3/4 x 4 1/8 P 215



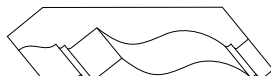
3054 3/4 x 3 5/8 P 202



3055 13/16 x 4 1/2 P 208



3056 13/16 x 4 9/16 P 209



3057 13/16 x 4 7/8 P 180



3058 3/4 x 4 1/4 P 181



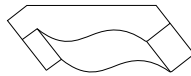
3059 3/4 x 2 3/4 P 209



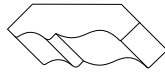
3060 3/4 x 2 P 186



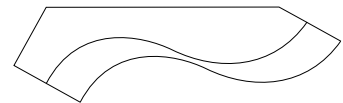
3061 1 1/16 x 5 1/4 P 172



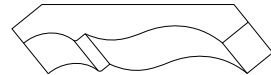
3062 3/4 x 3 3/8 P 165



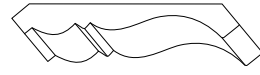
3063 3/4 x 2 3/4 P 178



3064 1 5/8 x 6 1/8 P 189



3065 3/4 x 4 7/8 P 171



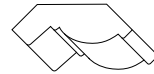
3066 3/4 x 4 11/16 P 214



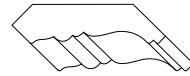
3067 3/4 x 2 3/8 P 209



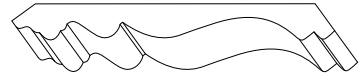
3068 3/4 x 5 P 174



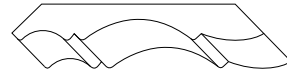
3069 13/16 x 2 1/2 P 188



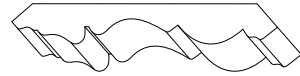
3070 13/16 x 3 1/4 P 216



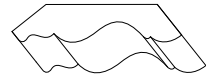
3071 3/4 x 6 3/4 P 211



3072 3/4 x 5 1/4 P 205



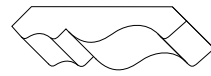
3073 7/8 x 5 1/2 P 211



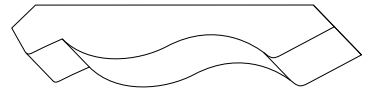
3074 3/4 x 3 1/2 P 210



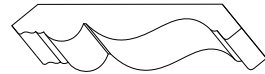
3075 1 1/4 x 4 7/8 P 184



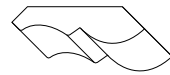
3076 3/4 x 3 5/8 P 200



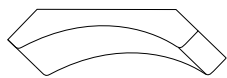
3077 1 1/8 x 6 5/8 P 162



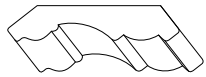
3078 3/4 x 4 3/4 P 8, 210



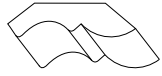
3079 3/4 x 2 3/4 P 186



3080 3/4 x 4 P 8, 198



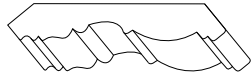
3081 3/4 x 3 5/8 P 215



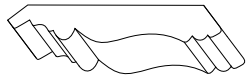
3082 3/4 x 2 5/8 P 185



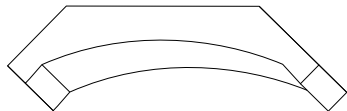
3083 1 1/4 x 2 5/8 P 216



3084 3/4 x 4 1/2 P 211



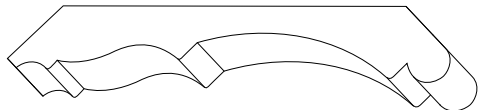
3085 3/4 x 4 9/16 P 215



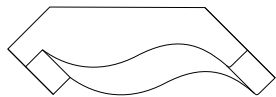
3086 1 5/8 x 6 3/8 P 195



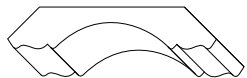
3087 7/8 x 6 P 179



3088 1 5/8 x 9 1/8 P 217



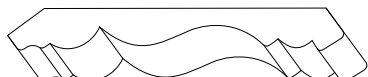
3089 1 1/4 x 4 15/16 P 164



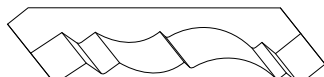
3090 7/8 x 4 1/4 P 208



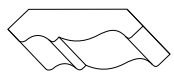
3091 3/4 x 3 3/8 P 216



3092 13/16 x 7 P 210



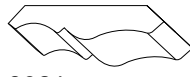
3093 7/8 x 6 P 216



3094 1 1/16 x 2 3/4 P 178



3095 1 1/8 x 6 P 204



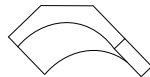
3096 1 1/16 x 3 1/4 P 177



3097 5/8 x 2 3/8 P 178



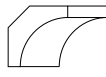
3098 1 1/8 x 5 1/8 P 173



3099 7/8 x 2 3/4 P 197



3101 3/4 x 3/4 P 8, 199



3102 3/4 x 1 3/4 P 199



3103 1/2 x 1/2 P 199



3104 3/8 x 3/8 P 199



3105 5/8 x 5/8 P 199



3106 3/4 x 3/4 P 199



3107 1 1/4 x 1 1/4 P 199



3108 1 1/8 x 3/4 P 199



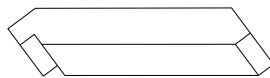
3109 7/8 x 7/8 P 199



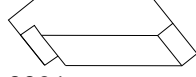
3110 3/4 x 7/8 P 199



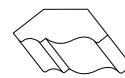
3111 1 1/2 x 1 1/2 P 198



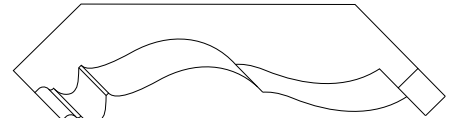
3200 3/4 x 5 P 220



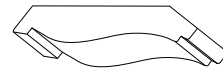
3201 3/4 x 3 3/8 P 220



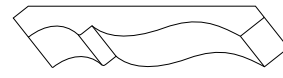
3202 3/4 x 2 P 178



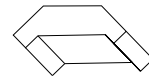
3203 1 7/8 x 8 3/8 P 218



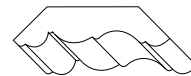
3204 3/4 x 3 7/8 P 165



3205 5/8 x 5 1/4 P 170



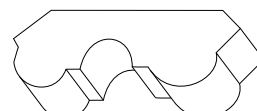
3206 7/8 x 2 3/8 P 219



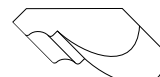
3207 7/8 x 3 1/4 P 210



3208 1 1/8 x 2 7/8 P 202



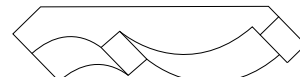
3209 1 9/16 x 4 5/8 P 222



3210 1 x 2 5/8 P 185



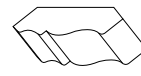
3211 7/8 x 5 1/8 P 196



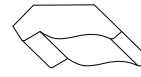
3212 1 x 5 1/2 P 187



3213 7/8 x 4 P 176



3214 9/16 x 2 1/4 P 177

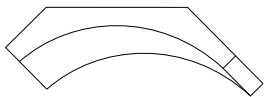


3215 1 1/16 x 2 1/4 P 165

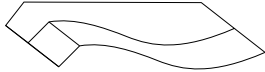


3216 3/4 x 4 1/4 P 220





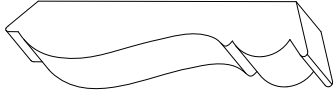
3217 1 1/4 x 4 3/4 P 196



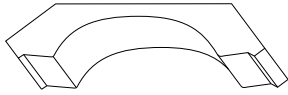
3218 7/8 x 4 3/4 P 190



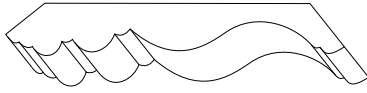
3219 3/4 x 4 1/2 P 216



3220 1 1/8 x 6 1/4 P 183



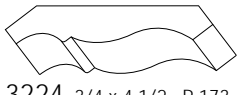
3221 1 1/8 x 5 3/8 P 200



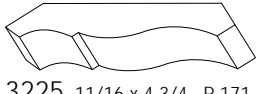
3222 1 1/16 x 7 P 211



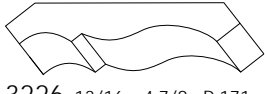
3223 1 1/8 x 4 1/4 P 173



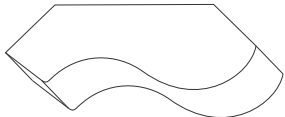
3224 3/4 x 4 1/2 P 173



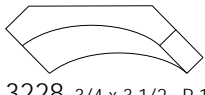
3225 1 1/16 x 4 3/4 P 171



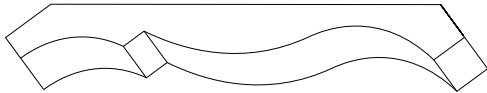
3226 13/16 x 4 7/8 P 171



3227 1 3/4 x 5 1/4 P 190



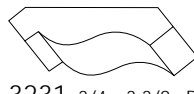
3228 3/4 x 3 1/2 P 197



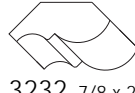
3229 1 x 9 1/2 P 167



3230 1 x 10 7/8 P 166



3231 3/4 x 3 3/8 P 165



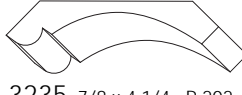
3232 7/8 x 2 1/16 P 186



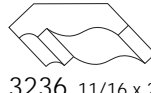
3233 1 x 6 5/8 P 169



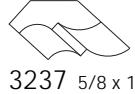
3234 1 3/4 x 7 1/4 P 184



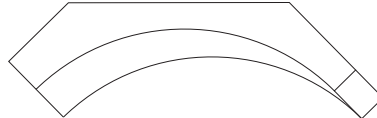
3235 7/8 x 4 1/4 P 202



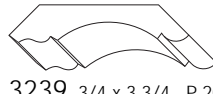
3236 1 1/16 x 2 7/16 P 177



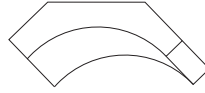
3237 5/8 x 1 13/16 P 186



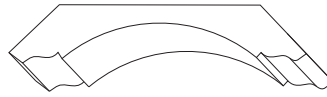
3238 1 3/4 x 7 1/8 P 195



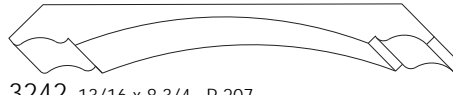
3239 3/4 x 3 3/4 P 208



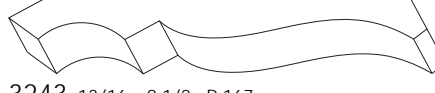
3240 1 1/8 x 3 1/2 P 198



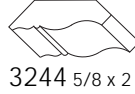
3241 1 3/16 x 6 1/8 P 208



3242 13/16 x 8 3/4 P 207



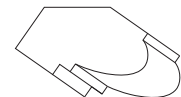
3243 13/16 x 8 1/2 P 167



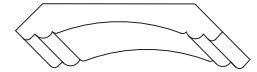
3244 5/8 x 2 1/8 P 181



3245 1 x 4 3/4 P 213



3246 1 3/8 x 2 3/4 P 188



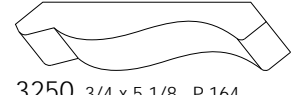
3247 3/4 x 4 1/4 P 206



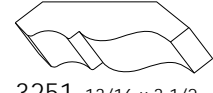
3248 1 3/16 x 4 3/16 P 201



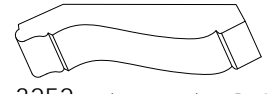
3249 15/16 x 3 P 181



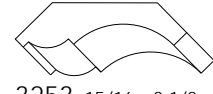
3250 3/4 x 5 1/8 P 164



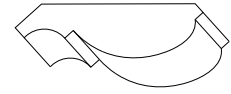
3251 13/16 x 3 1/2 P 175



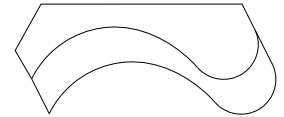
3252 1 1/16 x 4 11/16 P 182



3253 15/16 x 3 1/2 P 204



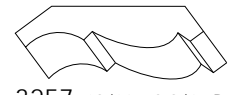
3254 1 1/8 x 3 7/8 P 187



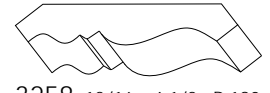
3255 1 1/2 x 5 P 342



3256 1 1/4 x 4 5/8 P 197



3257 13/16 x 3 3/4 P 187



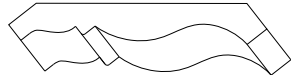
3258 13/16 x 4 1/2 P 180



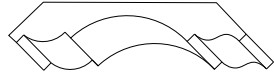
3259 3/4 x 1 7/8 P 165



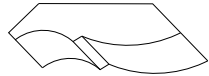
3260 11/16 x 2 1/2 P 222



3261 13/16 x 5 1/4 P 180



3262 13/16 x 4 7/8 P 204



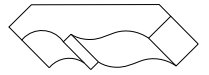
3263 7/8 x 3 1/2 P 185



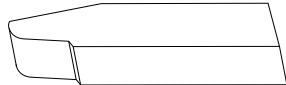
3264 1 1/8 x 3 1/2 P 204



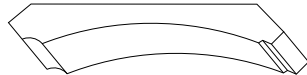
3265 7/8 x 3 9/16 P 175



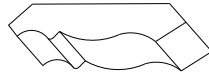
3266 3/4 x 3 1/4 P 178



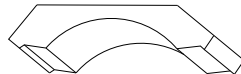
3267 7/8 x 5 1/2 P 220



3268 3/4 x 5 9/16 P 200



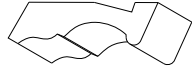
3269 3/4 x 3 5/8 P 176



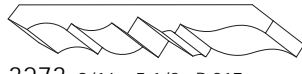
3270 7/8 x 4 1/4 P 200



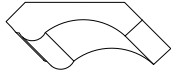
3271 3/4 x 3 7/8 P 215



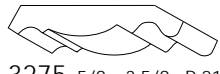
3272 7/8 x 3 1/8 P 221



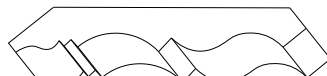
3273 9/16 x 5 1/2 P 217



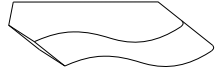
3274 3/4 x 2 3/4 P 202



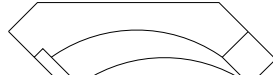
3275 5/8 x 3 5/8 P 213



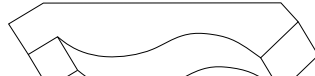
3276 7/8 x 6 1/8 P 213



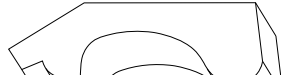
3277 3/4 x 3 5/8 P 190



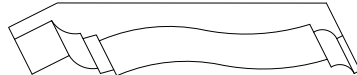
3278 1 1/8 x 4 7/8 P 201



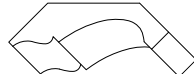
3279 1 1/8 x 6 P 161



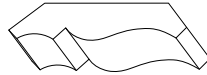
3280 1 5/8 x 5 1/4 P 221



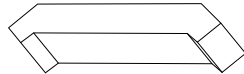
3281 3/4 x 6 15/16 P 183



3282 7/8 x 3 1/4 P 209



3283 3/4 x 3 5/8 P 176



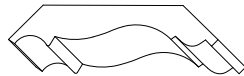
3284 13/16 x 4 3/8 P 219



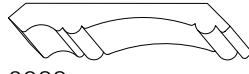
3285 1 1/8 x 6 1/2 P 162



3286 3/4 x 5 1/4 P 170



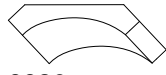
3287 7/8 x 4 3/8 P 213



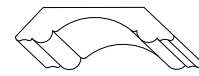
3288 4/16 x 4 5/8 P 205



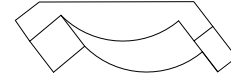
3289 3/4 x 1 11/16 P 192



3290 5/8 x 2 3/4 P 197



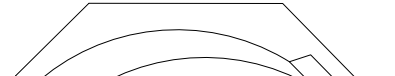
3291 3/4 x 3 5/16 P 206



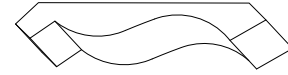
3292 13/16 x 4 1/8 P 188



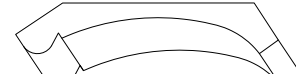
3293 1 5/8 x 3 3/8 P 191, 255



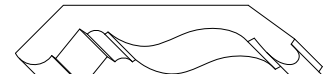
3294 1 3/4 x 7 1/4 P 200



3295 3/4 x 5 1/4 P 163



3296 1 1/16 x 5 1/2 P 202



3297 1 1/4 x 5 7/8 P 218



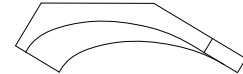
3298 1 x 2 1/2 P 222



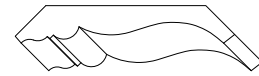
3299 1 3/16 x 4 P 165



3300 1 x 3 7/16 P 187



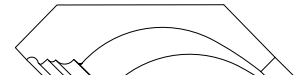
3301 1 1/16 x 4 1/8 P 198



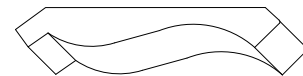
3302 3/4 x 4 1/2 P 180



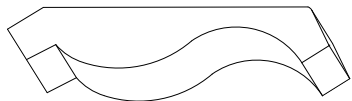
3303 1 1/16 x 5 1/4 P 172



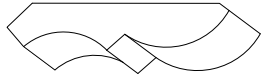
3304 1 3/8 x 5 1/2 P 202



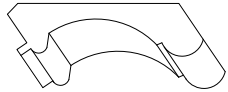
3305 13/16 x 5 1/2 P 164



3306 1 1/4 x 6 11/16 P 161



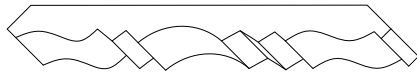
3307 1 x 4 5/8 P 185



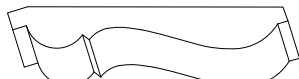
3308 1 1/16 x 4 1/8 P 221



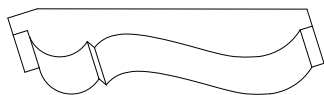
3309 15/16 x 6 1/4 P 214



3310 3/4 x 8 P 217



3311 7/8 x 5 7/8 P 182



3312 1 x 6 3/8 P 182



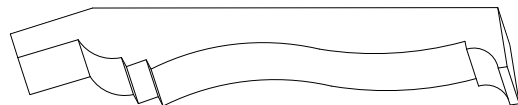
3313 1 1/16 x 8 3/8 P 182



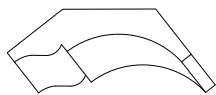
3314 1/2 x 2 1/2 P 210



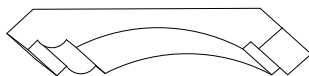
3315 1 1/16 x 7 3/8 P 212



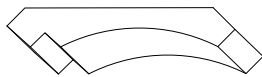
3316 1 1/4 x 10 3/8 P 183



3317 1 1/8 x 3 7/8 P 209



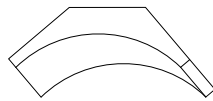
3318 7/8 x 5 3/4 P 204



3319 13/16 x 4 3/4 P 201



3320 5/8 x 2 9/16 P 181



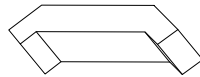
3321 1 1/4 x 3 3/4 P 197



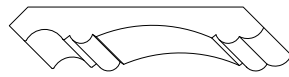
3322 7/8 x 4 7/8 P 196



3323 13/16 x 4 3/16 P 164



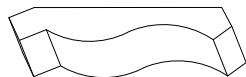
3324 13/16 x 3 1/2 P 219



3325 3/4 x 5 13/16 P 205



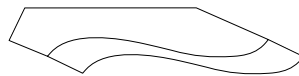
3326 3/4 x 5 13/16 P 168



3327 11/16 x 4 5/8 P 163



3328 1 1/16 x 4 1/16 P 221



3329 1 x 5 7/16 P 190



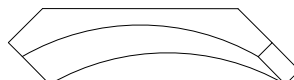
3330 3/4 x 6 1/4 P 218



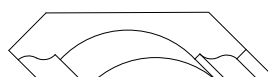
3331 13/16 x 3 1/2 P 214



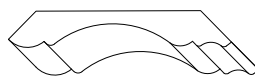
3332 9/16 x 2 3/4 P 177



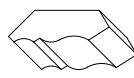
3333 1 x 5 1/2 P 196



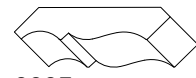
3334 1 x 5 P 207



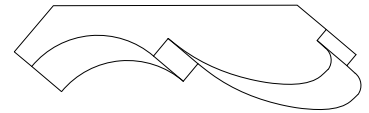
3335 3/4 x 4 5/8 P 206



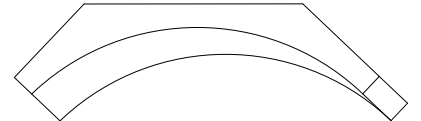
3336 11/16 x 2 1/8 P 178



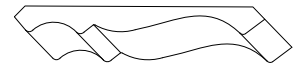
3337 1 1/16 x 3 1/4 P 178



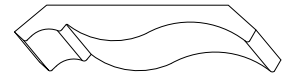
3338 1 5/8 x 6 5/8 P 184



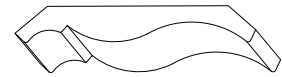
3339 1 7/8 x 7 5/8 P 195



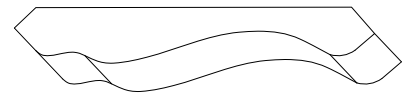
3340 9/16 x 5 1/4 P 174



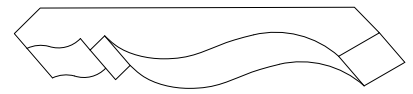
3341 3/4 x 5 P 172



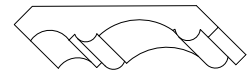
3342 7/8 x 5 3/8 P 172



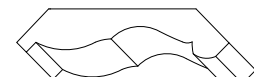
3343 1 3/16 x 7 1/2 P 161



3344 1 1/16 x 7 5/8 P 179



3345 3/4 x 1 1/4 P 205



3346 1 x 4 1/2 P 215



4001 3/4 x 2 3/8 P 9, 228



4002 3/4 x 2 3/8 P 228



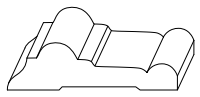
4003 3/4 x 2 3/4 P 9, 228



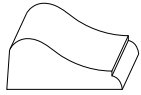
4004 3/4 x 2 1/4 P 9, 231



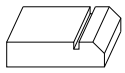
4005 5/8 x 1 3/4 P 9, 231



4006 1 x 3 1/2 P 9, 224



4007 1 1/16 x 2 3/8 P 228



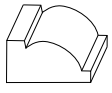
4008 1/2 x 2 P 54



4009 1 1/16 x 2 1/4 P 275



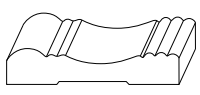
4010 5/8 x 3 1/2 P 278



4011 7/8 x 1 3/4 P 261



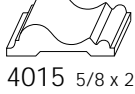
4012 1 5/16 x 2 1/2 P 228



4013 3/4 x 3 1/2 P 225



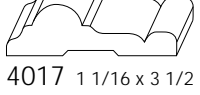
4014 5/8 x 2 3/8 P 226



4015 5/8 x 2 1/4 P 229



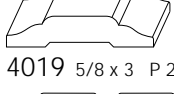
4016 3/4 x 2 5/8 P 275



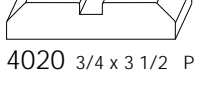
4017 1 1/16 x 3 1/2 P 224



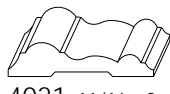
4018 1 1/16 x 3 P 224



4019 5/8 x 3 P 278



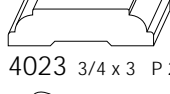
4020 3/4 x 3 1/2 P 324



4021 1 1/16 x 3 P 224



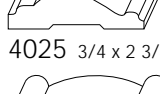
4022 5/8 x 3 1/16 P 230



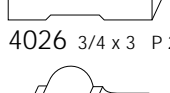
4023 3/4 x 3 P 278



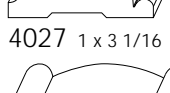
4024 7/8 x 2 1/8 P 231



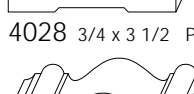
4025 3/4 x 2 3/4 P 230



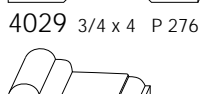
4026 3/4 x 3 P 276



4027 1 x 3 1/16 P 224



4028 3/4 x 3 1/2 P 276



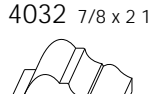
4029 3/4 x 4 P 276



4030 1 x 2 5/8 P 227



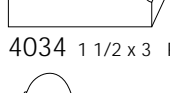
4031 3/4 x 2 1/2 P 227



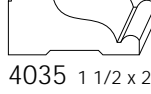
4032 7/8 x 2 11/16 P 231



4033 1 1/16 x 2 1/4 P 229



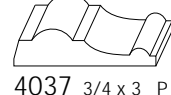
4034 1 1/2 x 3 P 224



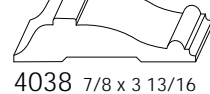
4035 1 1/2 x 2 3/4 P 228



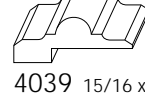
4036 3/4 x 3 P 230



4037 3/4 x 3 P 224



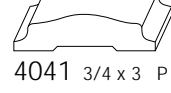
4038 7/8 x 3 13/16 P 230



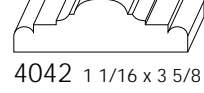
4039 15/16 x 2 1/2 P 232



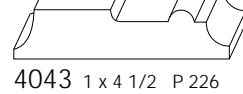
4040 1 x 3 9/16 P 226



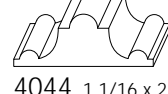
4041 3/4 x 3 P 278



4042 1 1/16 x 3 5/8 P 276



4043 1 x 4 1/2 P 226



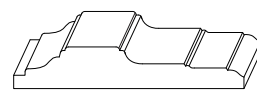
4044 1 1/16 x 2 7/8 P 275



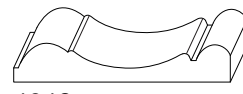
4045 1 1/8 x 2 15/16 P 223



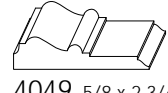
4046 1 3/16 x 3 1/8 P 231



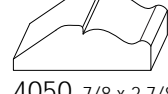
4047 13/16 x 4 3/4 P 226



4048 3/4 x 4 1/2 P 225



4049 5/8 x 2 3/4 P 229



4050 7/8 x 2 7/8 P 232



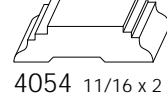
4051 1 1/16 x 2 1/2 P 229



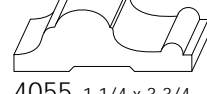
4052 3/4 x 2 5/16 P 229



4053 1 1/16 x 2 1/4 P 229



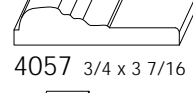
4054 1 1/16 x 2 7/8 P 277



4055 1 1/4 x 3 3/4 P 223



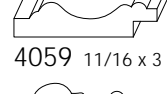
4056 5/8 x 2 3/4 P 277



4057 3/4 x 3 7/16 P 229



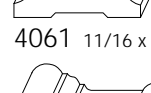
4058 7/8 x 3 1/2 P 235



4059 1 1/16 x 3 P 225



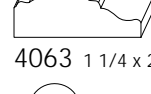
4060 1 1/16 x 2 1/4 P 227



4061 1 1/16 x 2 5/8 P 277



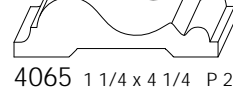
4062 1 x 3 1/16 P 226



4063 1 1/4 x 2 5/8 P 232



4064 1 1/8 x 3 9/16 P 236



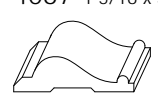
4065 1 1/4 x 4 1/4 P 223



4066 1 1/16 x 4 1/8 P 236



4067 1 5/16 x 3 7/8 P 235



4068 3/4 x 2 1/2 P 229



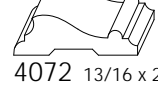
4069 1 x 2 3/4 P 228



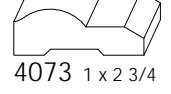
4070 3/4 x 2 1/2 P 226



4071 5/8 x 2 1/2 P 226



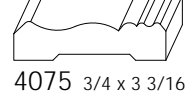
4072 13/16 x 2 9/16 P 230



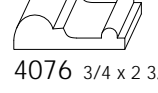
4073 1 x 2 3/4 P 231



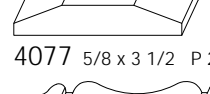
4074 1 1/4 x 3 P 232



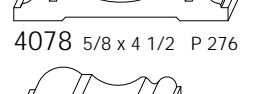
4075 3/4 x 3 3/16 P 225



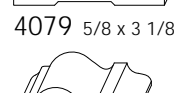
4076 3/4 x 2 3/8 P 227



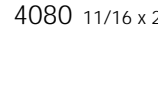
4077 5/8 x 3 1/2 P 283



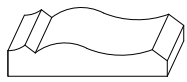
4078 5/8 x 4 1/2 P 276



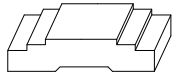
4079 5/8 x 3 1/8 P 225



4080 1 1/16 x 2 1/2 P 229



4081 11/16 x 3 5/16 P 225



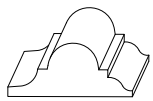
4082 11/16 x 3 1/8 P 277



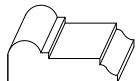
4083 3/4 x 2 5/8 P 230



4084 15/16 x 3 3/4 P 224



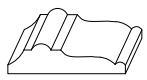
4085 1 1/8 x 2 5/8 P 275



4086 7/8 x 2 1/4 P 227



4087 13/16 x 2 3/4 P 230



4088 5/8 x 2 1/2 P 223



4089 11/16 x 2 1/4 P 229



4090 7/8 x 3 7/16 P 230



4091 1 1/4 x 2 1/2 P 275



5001 3/8 x 5/16 P 10, 262, 331



5002 1/2 x 9/16 P 10, 186, 256, 330



5003 1/4 x 3/4 P 10, 325



5004 3/4 x 3/4 P 10, 257, 290, 331



5005 1/2 x 7/8 P 10, 328



5006 1/2 x 1 1/8 P 10, 330



5007 3/4 x 3/4 P 10, 84, 251, 331



5008 3/8 x 3/4, P 10, 278, 330, 333



5009 1/2 x 3/4 P 10, 84, 251, 331



5010 9/16 x 1 1/16 P 10, 247, 328



5011 1/4 x 1/2 P 278, 330



5012 1 1/4 x 1 1/4 P 257, 290, 331



5013 7/16 x 13/16 P 260, 329



5014 3/4 x 1/4 P 326



5015 3/4 x 3/4 P 325



5016 1/2 x 3/4 P 263, 332



5017 3/4 x 3/4 P 325



5018 11/16 x 1/2 P 186, 256, 330



5019 1/2 x 15/32 P 327



5020 5/8 x 5/8 P 257, 290, 331



5021 7/16 x 3/4 P 253, 330



5022 11/16 x 13/16 P 203, 329



5023 1/2 x 1/2 P 84, 251, 331



5024 3/4 x 7/16 P 84, 251, 331



5025 7/8 x 7/8 P 332



5026 3/4 x 1 3/8 P 278, 330



5027 3/8 x 13/16 P 247, 328



5028 1/2 x 3/4 P 247, 328



5029 7/16 x 3/4 P 332



5030 3/4 x 3/8 P 84, 251, 331



5031 1 x 1 P 84, 251, 331



5032 5/16 x 1 P 332



5033 3/4 x 1/2 P 260, 329



5034 1/2 x 3/4 P 193, 329



5035 5/16 x 15/16 P 331, 336



5036 5/8 x 5/8 P 329



5037 1/2 x 11/16 P 192, 255, 330



5038 3/8 x 5/8 P 328



5039 7/16 x 1/2 P 192, 256, 328



5040 5/16 x 11/16 P 192, 256, 328



5041 5/16 x 5/8 P 192, 256, 328



5042 5/16 x 3/8 P 192, 256, 328



5043 5/16 x 5/8 P 192, 256, 328



5044 3/8 x 5/8 P 194, 329



5045 3/4 x 3/4 P 192, 256, 328



5046 1/4 x 1/2 P 278, 330



5047 1/2 x 5/8 P 186, 256, 330



5048 1/4 x 1/2 P 253, 330



5049 5/8 x 7/8 P 192, 256, 328



5050 5/8 x 5/8 P 186, 256, 330



5051 1/2 x 5/8 P 194, 329



5052 9/16 x 13/16 P 280, 288, 333



5053 1/2 x 13/16 P 280, 288, 333



5054 9/16 x 3/4 P 253, 330



5055 9/16 x 5/8 P 192, 256, 328



5056 5/8 x 5/8 P 331



5057 1 x 5/8 P 330



5058 9/16 x 11/16 P 257, 331



5059 1/2 x 1/2 P 84, 251, 331



5060 3/8 x 1/4 P 84, 251, 331



5061 3/8 x 7/8 P 276, 330, 333



5062 7/16 x 15/16 P 332



5063 7/16 x 15/16 P 253, 330



5064 11/16 x 3/4 P 253, 330



5065 5/16 x 1/2 P 327



5066 9/16 x 9/16 P 84, 251, 331



5067 3/8 x 3/4 P 253, 330



5068 9/16 x 9/16 P 84, 251, 331



5069 1/2 x 13/16 P 253, 330



5070 1/2 x 1/2 P 262, 331



5071 9/16 x 13/16 P 193, 329



5072 3/4 x 5/8 P 260, 329



5073 3/4 x 3/4 P 186, 256, 330



5076 7/16 x 1 P 10, 280, 333



5101 3/4 x 1/2 P 10, 79, 326, 334



5102 3/4 x 1/2 P 327, 334



5103 7/8 x 3/8 P 79, 326, 334



5104 1 x 5/16 P 326, 334



5105 3/4 x 5/8 P 328, 334



5106 3/4 x 1/2 P 79, 326, 334



5107 3/4 x 1/2 P 330, 334



5108 13/16 x 9/16 P 262, 331, 334



5109 7/8 x 1/4 P 79, 326, 334



5110 1 1/4 x 3/8 P 326, 334



5111 1 3/8 x 1/2 P 327, 334



5112 1 x 5/8 P 327, 334



5113 1 1/8 x 3/8 P 327, 334



5114 15/16 x 1/2 P 79, 326, 334



5115 3/4 x 3/8 P 327, 334



5116 1 5/8 x 3/8 P 327, 334



5117 1 x 1/2 P 330, 334



5118 1 3/16 x 1/2 P 327, 334



5119 7/8 x 7/16 P 327, 334



5120 1 x 3/4 P 328, 334



5122 3/4 x 7/16 P 10, 326, 334



5201 11/16 x 1 1/8 P 11, 237



5202 7/8 x 1 3/16 P 11, 266



5203 15/16 x 1 1/2 P 11, 234



5204 7/8 x 1 1/2 P 236



5205 3/4 x 1 P 254, 330



5206 15/16 x 1 1/4 P 260



5207 5/16 x 1 1/2 P 278



5208 3/8 x 3/4 P 250, 287



5209 1/2 x 1 P 250, 287



5210 5/8 x 1 1/4 P 250, 287



5211 1/2 x 1/2 P 250, 287



5212 1/2 x 1 1/8 P 245



5213 1/2 x 3/4 P 245



5214 3/8 x 1 1/4 P 263



5215 7/8 x 1 15/16 P 236



5216 5/8 x 1 5/8 P 240



5217 3/4 x 1 1/2 P 263



5218 3/4 x 1 1/2 P 253



5219 13/16 x 1 3/16 P 266



5220 1 x 1 1/4 P 262



5221 9/16 x 1 1/4 P 253



5222 7/8 x 1 3/4 P 237



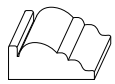
5223 7/8 x 1 1/2 P 260



5224 5/8 x 1 1/4 P 238



5225 3/4 x 1 1/2 P 250, 287



5226 3/4 x 1 3/4 P 265



5227 1 x 1 15/16 P 11, 266



5228 1 x 1 3/4 P 252



5229 9/16 x 1 P 244



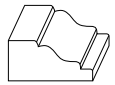
5230 7/8 x 2 1/2 P 267



5231 1/2 x 1 3/16 P 243



5232 5/8 x 1 1/8 P 237



5233 13/16 x 1 3/4 P 243



5234 7/16 x 1 1/4 P 276



5235 5/8 x 2 P 263



5236 3/4 x 1 1/16 P 237



5237 3/4 x 1 5/16 P 253



5238 1/2 x 13/16 P 276, 330, 333



5239 5/8 x 7/8 P 192, 255



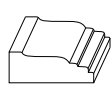
5240 3/4 x 2 P 238



5241 3/4 x 2 P 230



5242 3/4 x 3 P 267



5243 5/8 x 1 3/4 P 260



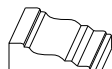
5244 7/8 x 1 1/4 P 253



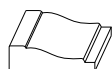
5245 7/8 x 1 1/4 P 253



5246 13/16 x 1 7/8 P 236



5247 7/8 x 1 3/4 P 260



5248 1/2 x 1 3/4 P 243



5249 9/16 x 1 1/2 P 265



5250 11/16 x 2 P 275



5251 7/8 x 1 1/2 P 261



5252 11/16 x 1 7/8 P 227



5253 5/8 x 1 1/8 P 253



5254 9/16 x 1 3/4 P 11, 276



5255 3/4 x 1 7/8 P 275



5256 3/8 x 3/4 P 276, 330, 333



5257 3/8 x 1 P 238



5258 1 x 1 3/8 P 265



5259 9/16 x 1 7/16 P 263



5260 3/4 x 1 P 243



5261 3/8 x 1 9/16 P 225



5262 1 3/16 x 1 3/4 P 276



5263 1 3/16 x 2 P 231



5264 11/16 x 1 1/8 P 245



5265 11/16 x 1 5/8 P 11, 238



5266 5/8 x 1 3/4 P 243



5267 7/8 x 1 3/4 P 238



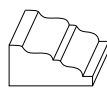
5268 1 3/16 x 1 1/2 P 233



5269 9/16 x 1 1/4 P 253



5270 11/16 x 1 3/4 P 253



5271 13/16 x 1 3/4 P 260



5272 1 3/16 x 1 7/8 P 268



5273 1 1/8 x 1 3/4 P 254



5274 7/8 x 1 7/16 P 268



5275 1 1/16 x 1 3/4 P 268



5276 3/4 x 1 P 192, 256



5277 1/2 x 1 1/4 P 244



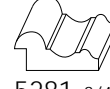
5278 1/2 x 1 3/8 P 245



5279 7/16 x 1 1/4 P 276



5280 7/8 x 1 1/4 P 262



5281 3/4 x 1 3/4 P 268



5282 7/8 x 1 1/4 P 266



5283 7/16 x 1 1/8 P 245



5284 11/16 x 7/8 P 253



5285 3/4 x 1 1/4 P 263



5286 3/4 x 2 P 275



5287 1/2 x 1 1/8 P 245



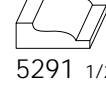
5288 5/8 x 1 1/2 P 259



5289 1/2 x 1 3/4 P 244



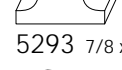
5290 1/2 x 1 1/8 P 243



5291 1/2 x 1 1/2 P 259



5292 9/16 x 1 P 193



5293 7/8 x 1 7/8 P 275



5294 7/8 x 7/8 P 192, 256



5295 1 1/4 x 1 1/4 P 191, 255



5296 5/8 x 1 1/4 P 328



5297 3/8 x 1 13/16 P 277



5298 3/8 x 1 9/16 P 225



5299 1/2 x 1 5/8 P 263



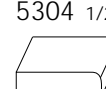
5301 1/2 x 1 3/8 P 9, 328, 335



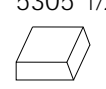
5302 1/2 x 1 3/8 P 9, 326, 336



5303 1/2 x 1 1/2 P 331, 336



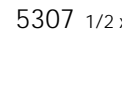
5304 1/2 x 1 5/8 P 331, 336



5305 1/2 x 1 3/4 P 326, 336



5306 3/8 x 13/16 P 327, 336



5307 1/2 x 1 3/4 P 331, 336



5308 7/16 x 1 3/16 P 329, 335



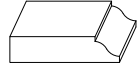
5309 7/16 x 1 3/8 P 9, 329, 335



5310 1/2 x 1 1/4 P 327, 335



5311 1/2 x 1 1/2 P 329, 335



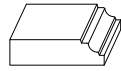
5312 1/2 x 2 1/4 P 329, 335



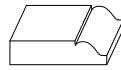
5313 1/2 x 1 1/4 P 329, 335



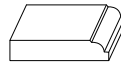
5314 1/2 x 1 3/16 P 336



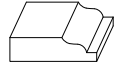
5315 1/2 x 2 P 329, 335



5316 1/2 x 2 P 328, 335



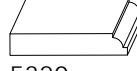
5317 7/16 x 2 P 331, 336



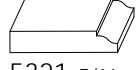
5318 1/2 x 1 3/4 P 329, 335



5319 7/16 x 1 3/8 P 328, 335



5320 7/16 x 2 1/2 P 331, 336



5321 7/16 x 2 1/4 P 329, 335



5322 3/8 x 1 1/16 P 329, 335



5323 3/8 x 1 3/8 P 328, 335



5401 11/16 x 1 1/4 P 11, 191, 255



5402 9/16 x 1 1/2 P 11, 264



5403 11/16 x 1 5/8 P 249



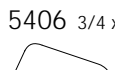
5404 3/4 x 2 3/8 P 249



5405 5/8 x 1 3/8 P 240



5406 3/4 x 1 3/4 P 247



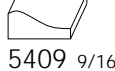
5407 3/4 x 1 3/4 P 79



5408 1 x 1 1/2 P 272



5409 9/16 x 1 1/4 P 191, 256



5410 3/4 x 1 3/4 P 245



5411 11/16 x 1 1/2 P 244



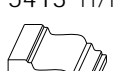
5412 3/4 x 1 9/16 P 243



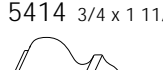
5413 11/16 x 1 5/8 P 244



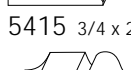
5414 3/4 x 1 11/16 P 246



5415 3/4 x 2 P 239



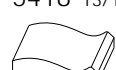
5416 13/16 x 3 P 235



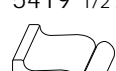
5417 1 1/16 x 2 1/8 P 338



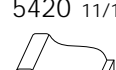
5418 13/16 x 2 5/16 P 239



5419 1/2 x 1 3/4 P 240



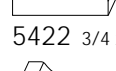
5420 11/16 x 1 3/4 P 246



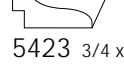
5421 3/4 x 1 3/4 P 247



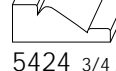
5422 3/4 x 2 P 264



5423 3/4 x 1 5/8 P 268



5424 3/4 x 2 P 245



5425 7/8 x 1 1/2 P 265



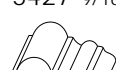
5426 7/8 x 1 1/2 P 248



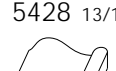
5427 9/16 x 1 3/16 P 240



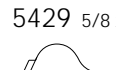
5428 13/16 x 1 13/16 P 237



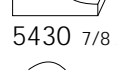
5429 5/8 x 1 5/8 P 264



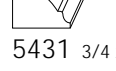
5430 7/8 x 1 3/4 P 191, 255



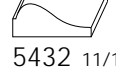
5431 3/4 x 1 3/4 P 252



5432 11/16 x 1 5/8 P 191, 255



5433 3/4 x 1 3/4 P 246



5434 3/4 x 1 1/4 P 191, 255



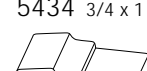
5435 7/8 x 2 3/8 P 269



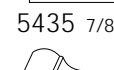
5436 13/16 x 1 3/4 P 254



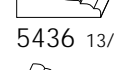
5437 11/16 x 1 3/4 P 245



5438 5/8 x 1 3/4 P 247



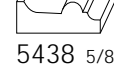
5439 3/4 x 1 11/16 P 264



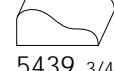
5440 3/4 x 1 7/8 P 248



5441 7/8 x 1 3/4 P 269



5442 7/8 x 1 1/4 P 268



5443 1/2 x 1 7/8 P 245



5444 9/16 x 1 9/16 P 244



5445 3/4 x 2 1/4 P 264



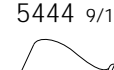
5446 1 x 1 7/16 P 259



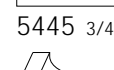
5447 1 3/16 x 1 1/2 P 260



5448 3/4 x 1 3/4 P 247



5449 3/4 x 1 3/4 P 269



5450 7/8 x 1 3/4 P 247



5451 7/8 x 1 15/16 P 244



5452 1 1/8 x 1 5/16 P 259



5453 1 1/8 x 1 9/16 P 259



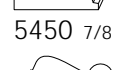
5454 13/16 x 2 7/8 P 264



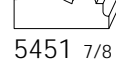
5455 9/16 x 1 3/4 P 245



5456 5/8 x 1 3/4 P 259



5457 3/4 x 2 1/4 P 267



5458 7/8 x 2 P 265



5459 3/4 x 1 3/4 P 247



5460 3/4 x 1 9/16 P 240



5461 5/8 x 1 13/16 P 245



5462 5/8 x 1 3/4 P 240





5463 7/8 x 1 3/4 P 244



5464 3/4 x 2 1/4 P 38



5465 3/4 x 1 3/4 P 247



5466 3/4 x 2 1/16 P 239



5467 3/4 x 1 3/4 P 254



5468 3/4 x 1 5/8 P 247



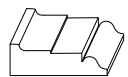
5469 7/8 x 1 9/16 P 249



5470 7/8 x 1 7/16 P 262



5471 13/16 x 1 3/4 P 269



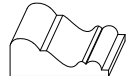
5472 5/8 x 2 P 34



5473 3/4 x 1 3/4 P 247



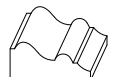
5474 5/8 x 2 P 245



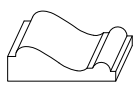
5475 3/4 x 2 1/16 P 244



5476 1 x 2 3/4 P 239



5477 13/16 x 1 11/16 P 244



5478 3/4 x 2 1/4 P 244



5479 3/4 x 1 3/4 P 247



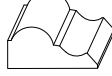
5480 3/4 x 2 3/16 P 240



5481 3/4 x 2 1/4 P 239



5482 3/4 x 2 P 239



5483 7/8 x 1 7/8 P 237



5484 13/16 x 2 P 39



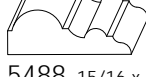
5485 13/16 x 1 11/16 P 239



5486 3/4 x 1 7/8 P 245



5487 5/8 x 1 7/16 P 264



5488 15/16 x 2 5/8 P 237



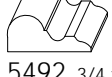
5489 3/4 x 2 1/2 P 246



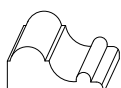
5490 7/8 x 1 3/4 P 246



5491 3/4 x 1 1/4 P 79



5492 3/4 x 1 3/4 P 237



5493 1 x 2 P 237



5494 3/4 x 1 3/4 P 246



5495 13/16 x 1 7/8 P 269



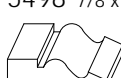
5496 1 x 2 5/8 P 239



5497 13/16 x 1 3/8 P 246



5498 7/8 x 2 P 239



5499 5/8 x 2 1/16 P 240



5501 3/4 x 3/4 P 12, 273, 325



5502 1 1/16 x 1 1/8 P 12, 273, 325



5600 3/4 x 1 3/16 P 262



5601 11/16 x 1 1/4 P 191, 255



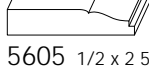
5602 3/8 x 13/16 P 245



5603 5/8 x 1 1/4 P 238



5604 7/16 x 1 1/2 P 275



5605 1/2 x 2 5/8 P 242



5606 1/2 x 7/8 P 243



5607 11/16 x 2 P 268



5608 1 x 1 9/16 P 266



5609 3/4 x 1 1/4 P 267



5610 3/4 x 1 1/4 P 266



5611 3/4 x 1 P 262



5612 3/8 x 1 1/8 P 263



5613 7/16 x 1 7/16 P 246



5614 3/4 x 1 1/4 P 245



5615 5/8 x 1 1/4 P 244



5616 1/2 x 1 P 193



5617 15/16 x 13/16 P 266



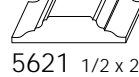
5618 15/16 x 1 7/8 P 275



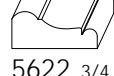
5619 7/8 x 1 5/16 P 262



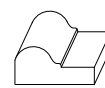
5620 9/16 x 1 11/16 P 227



5621 1/2 x 2 3/8 P 275



5622 3/4 x 1 3/4 P 230



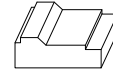
5623 3/4 x 1 5/8 P 254



5624 5/8 x 1 1/2 P 246



5625 13/16 x 1 1/2 P 261



5626 5/8 x 1 3/4 P 332



5627 3/4 x 1 3/8 P 274



5628 3/8 x 1 1/2 P 332



5629 11/16 x 1 1/2 P 267



5630 3/8 x 1 5/8 P 246



5631 7/8 x 1 3/8 P 274



5632 3/8 x 1 3/16 P 327



5633 3/8 x 1 P 238



5634 5/8 x 1 5/8 P 265



5635 9/16 x 1 1/8 P 254



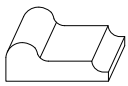
5636 7/8 x 1 P 254



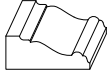
5637 3/4 x 1 7/8 P 333



5638 1/2 x 1 1/2 P 246



5639 13/16 x 2 1/8 P 227



5640 11/16 x 1 3/4 P 245



5641 13/16 x 2 1/4 P 267



5642 9/16 x 1 1/4 P 11, 267



5643 13/16 x 1 1/8 P 266



5644 7/8 x 1 1/16 P 266



5645 11/16 x 2 1/16 P 263



5646 3/4 x 2 P 269



5647 11/16 x 1 P 192, 255



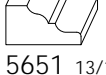
5648 7/16 x 1 5/8 P 227



5649 11/16 x 1 3/16 P 186, 256



5650 7/16 x 1 1/16 P 276



5651 13/16 x 1 9/16 P 260



5652 1 1/16 x 1 13/16 P 252



5653 11/16 x 2 5/6 P 267



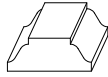
5654 7/8 x 1 3/4 P 243



5655 5/16 x 1 1/4 P 254



5656 1 x 1 1/2 P 262



5657 11/16 x 1 3/4 P 275



5658 7/8 x 1 7/16 P 240



5659 1 1/8 x 1 7/16 P 243



5660 5/8 x 1 3/4 P 238



5661 5/8 x 1 1/4 P 244



5662 1/2 x 1 1/8 P 263



5663 1 3/16 x 2 P 240



5664 1 x 2 3/4 P 267



5665 1 x 1 1/8 P 327



5666 7/8 x 1 7/8 P 269



5667 13/16 x 1 13/16 P 263



5668 1 3/16 x 1 7/8 P 233



5669 9/16 x 1 3/4 P 227



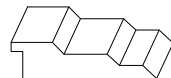
5670 3/4 x 1 P 254



5671 3/4 x 1 3/4 P 236



5672 1 x 1 1/4 P 91



5673 3/4 x 3 P 274



5674 7/8 x 2 1/8 P 265



5675 13/16 x 1 3/8 P 262



5676 3/4 x 2 P 61



5677 11/16 x 2 1/8 P 237



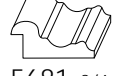
5678 5/8 x 1 3/8 P 254



5679 7/8 x 1 1/8 P 260



5680 5/8 x 1 P 243



5681 3/4 x 1 3/4 P 269



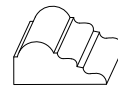
5682 1 1/8 x 1 15/16 P 267



5683 13/16 x 1 5/16 P 191, 256



5684 11/16 x 2 P 268



5685 7/8 x 2 P 265



5686 3/4 x 1 P 253



5687 9/16 x 1 5/8 P 263



5688 1 1/16 x 2 P 244



5689 5/8 x 3/4 P 192, 255



5690 5/8 x 1 3/4 P 243



5691 1 x 2 P 269



5692 5/8 x 1 7/16 P 227



5693 1 1/16 x 1 1/2 P 253



5694 5/8 x 1 3/8 P 245



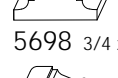
5695 1/2 x 15/16 P 244



5696 5/8 x 1 P 245



5697 9/16 x 1 1/8 P 245



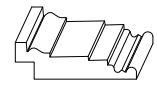
5698 3/4 x 1 3/4 P 276



5699 1/2 x 15/16 P 249



5700 5/8 x 15/16 P 260



5701 3/4 x 2 9/16 P 270



5702 13/16 x 1 1/2 P 269



5703 7/8 x 1 15/16 P 253



5704 15/16 x 1 1/4 P 267



5705 7/8 x 2 3/8 P 233



5706 9/16 x 1 1/2 P 264



5707 11/16 x 1 3/8 P 237



5708 13/16 x 1 7/16 P 270



5709 3/4 x 1 1/2 P 268



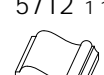
5710 5/8 x 2 1/8 P 269



5711 9/16 x 15/16 P 262



5712 1 1/8 x 1 11/16 P 266



5713 11/16 x 1 3/8 P 244



5900 7/8 x 2 1/4 P 248



5901 7/8 x 1 13/16 P 259



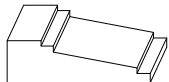
5902 3/4 x 1 3/4 P 269



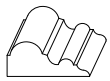
5903 13/16 x 2 1/4 P 247



5904 3/4 x 1 7/16 P 191, 256



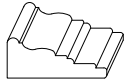
5905 7/8 x 3 P 249



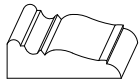
5906 13/16 x 1 3/4 P 237



5907 5/8 x 1 5/8 P 264



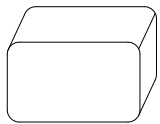
5908 13/16 x 2 1/16 P 246



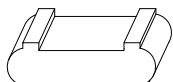
5909 13/16 x 2 3/8 P 264



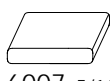
5910 13/16 x 1 13/16 P 254



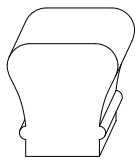
6000 1 5/8 x 2 3/4 P 309



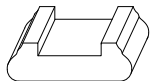
6006 1 1/16 x 3 1/8 P 12, 324



6007 5/16 x 1 3/4 P 12, 325



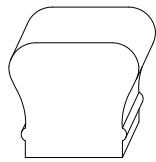
6010 2 3/8 x 2 1/4 P 13, 311



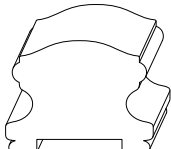
6045 3/4 x 2 1/2 P 12, 324



6050 3/8 x 1 1/4 P 12, 278, 325



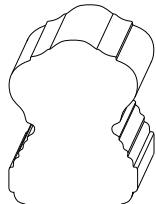
6210 2 3/8 x 2 5/8 P 13, 311



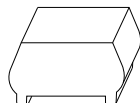
6400 2 1/4 x 3 P 313



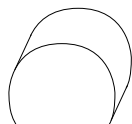
6519 3 x 2 5/8 P 13, 315



6801 3 1/2 x 2 5/8 P 315



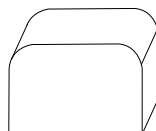
6802 1 1/4 x 2 3/8 P 310



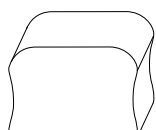
6803 1 3/4 x 2 1/8 P 286, 320



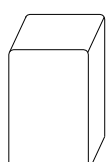
6804 1 3/4 x 1 3/4 P 317



6805 2 x 2 3/4 P 309



6806 2 x 2 5/8 P 309



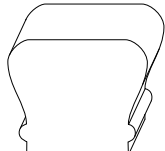
6807 2 1/2 x 1 5/8 P 309



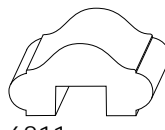
6808 1 7/8 x 4 P 313



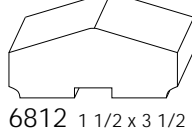
6809 1 3/4 x 1 7/8 P 317



6810 2 3/8 x 2 27/32 P 311



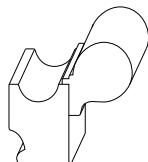
6811 1 1/2 x 3 P 313



6812 1 1/2 x 3 1/2 P 310

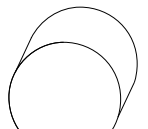


6813 2 1/2 x 4 7/8 P 313

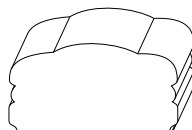


6814a 1 3/4 x 1 1/4 P 321

6814b 1 5/8 x 1 1/2 P 321



6815 2 1/4 x 2 3/8 P 285, 319



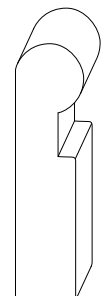
6816 2 13/16 x 3 1/2 P 322



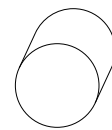
6817 4 1/8 x 1 1/2 P 317



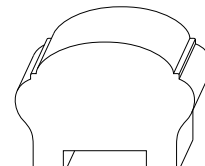
6818 5 1/2 x 1 3/4 P 318



6819 5 1/2 x 1 1/4 P 317



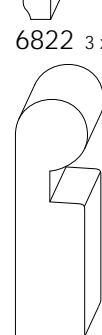
6820 1 3/4 x 1 3/4 P 285, 319



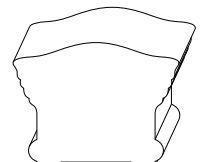
6821 2 3/4 x 3 3/4 P 316



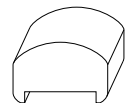
6822 3 x 3 P 314



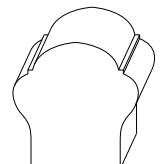
6823 5 1/2 x 1 1/2 P 318



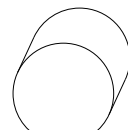
6824 2 13/16 x 3 1/2 P 312



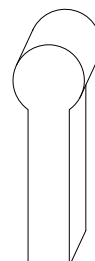
6825 1 1/4 x 2 P 318



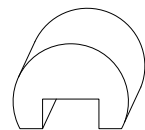
6826 2 5/8 x 2 5/8 P 316



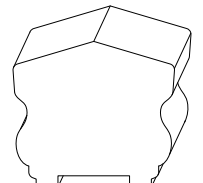
6827 2 x 2 1/8 P 286, 320



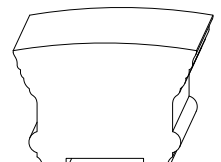
6828 4 1/2 x 1 1/2 P 317



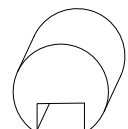
6829 1 3/4 x 2 3/8 P 286, 320



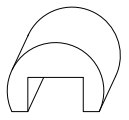
6830 3 x 3 3/8 P 312



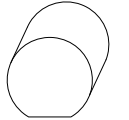
6831 2 5/8 x 3 13/16 P 312



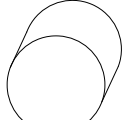
6832 1 3/4 x 2 P 286, 320



6833 1 3/8 x 2 P 286, 320



6834 1 5/8 x 1 3/4 P 286, 320



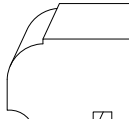
6835 2 x 2 P 285, 319



6836 2 3/8 x 1 11/16 P 317



6837 2 11/16 x 2 7/16 P 314



6838 1 15/16 x 3 15/16 P 322



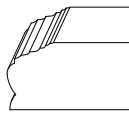
6839 3 7/16 x 2 1/2 P 315



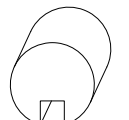
6840 2 1/2 x 2 11/16 P 314



6841 2 1/4 x 3 P 316



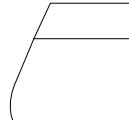
6842 1 7/16 x 4 1/2 P 322



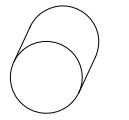
6843 1 3/4 x 1 3/4 P 285, 319



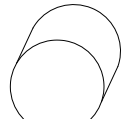
6845 1 7/8 x 2 P 285, 319



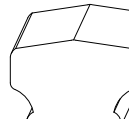
6846 2 3/4 x 3 5/8 P 310



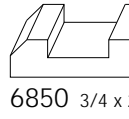
6847 1 1/2 x 1 1/2 P 285, 319



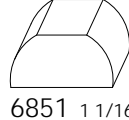
6848 1 15/16 x 1 15/16 P 285, 319



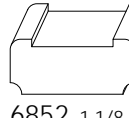
6849 2 1/8 x 2 5/8 P 312



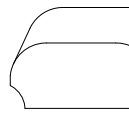
6850 3/4 x 2 3/4 P 324



6851 1 1/16 x 2 1/8 P 324



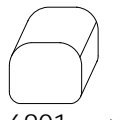
6852 1 1/8 x 2 9/16 P 324



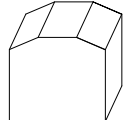
6853 1 3/8 x 2 7/8 P 324



6900 2 3/4 x 2 5/8 P 314



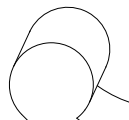
6901 1 1/4 x 1 1/2 P 309



6902 1 3/4 x 2 P 309



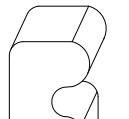
6903 3 3/8 x 2 7/16 P 311



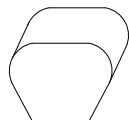
6904 4 3/4 x 1 3/4 P 321



6905 2 1/2 x 4 3/8 P 316



6906 6 x 1 1/2 P 318



6907 2 1/8 x 2 1/8 P 311



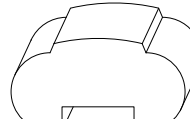
6908 1 1/4 x 2 1/2 P 310



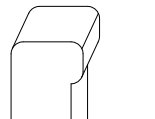
6909 3 3/4 x 3 7/16 P 315



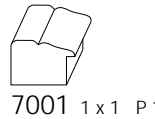
6910 2 x 2 11/16 P 312



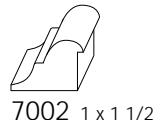
6911 1 15/16 x 3 5/8 P 316



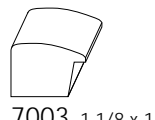
6912 5 x 1 1/2 P 321



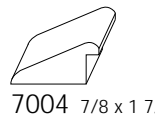
7001 1 x 1 P 100



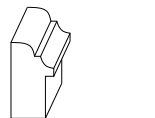
7002 1 x 1 1/2 P 267



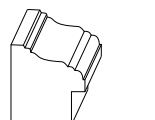
7003 1 1/8 x 1 9/16 P 98, 272



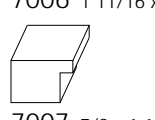
7004 7/8 x 1 7/8 P 272



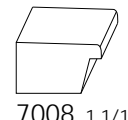
7005 1 9/16 x 7/8 P 100



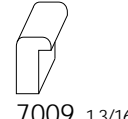
7006 1 11/16 x 1 9/16 P 100



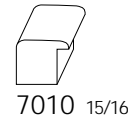
7007 7/8 x 1 1/4 P 99



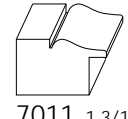
7008 1 1/16 x 1 3/4 P 98



7009 1 3/16 x 3/4 P 98



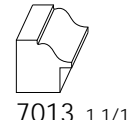
7010 15/16 x 1 1/16 P 98



7011 1 3/16 x 1 7/8 P 94



7012 1 3/8 x 2 1/4 P 265



7013 1 1/16 x 1 1/8 P 95



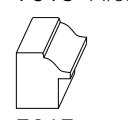
7014 3/4 x 1 1/8 P 11, 12, 268



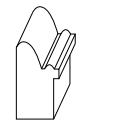
7015 1 1/8 x 2 1/4 P 91



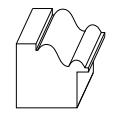
7016 1 1/8 x 1 3/4 P 101



7017 1 1/8 x 1 3/16 P 93



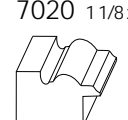
7018 1 5/8 x 7/8 P 97



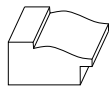
7019 1 5/16 x 1 1/2 P 96



7020 1 1/8 x 1 1/4 P 95



7021 1 1/8 x 1 3/4 P 101



7022 7/8 x 1 3/4 P 94



7023 1 1/4 x 15/16 P 94



7024 1 1/8 x 13/8 P 94



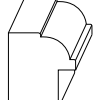
7025 1 1/8 x 1 3/8 P 99



7026 1 1/16 x 1 1/16 P 12, 98



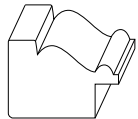
7027 1 1/16 x 1 1/16 P 98



7028 1 3/8 x 1 9/16 P 97



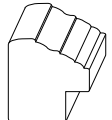
7029 1 x 15/16 P 97



7030 1 5/8 x 2 1/4 P 96



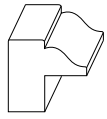
7031 13/16 x 1 1/8 P 93



7032 1 11/16 x 1 11/16 P 100



7033 1 1/4 x 1 1/8 P 98



7034 1 1/2 x 1 5/8 P 95



7035 1 1/16 x 1 1/4 P 94



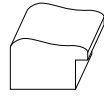
7036 2 1/4 x 1 1/4 P 101



7037 1 3/4 x 2 1/2 P 101



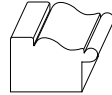
7038 1 3/4 x 1 7/8 P 99



7039 1 1/16 x 1 9/16 P 100



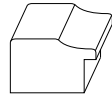
7040 1 1/16 x 1 1/4 P 93



7041 1 1/8 x 1 13/16 P 96



7042 1 3/16 x 1 3/8 P 94



7043 1 1/8 x 1 3/4 P 97



7044 1 3/8 x 1 5/16 P 99



7045 1 3/8 x 1 7/8 P 101



7046 1 3/8 x 1 1/8 P 12, 95



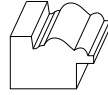
7047 1 1/2 x 15/16 P 93



7048 1 1/16 x 1 1/8 P 100



7049 1 3/8 x 15/8 P 94



7050 1 1/8 x 1 3/4 P 101



7051 1 5/8 x 1 3/8 P 102, 234



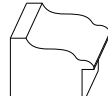
7052 1 1/2 x 1 3/8 P 95



7053 7/8 x 1 1/8 P 100



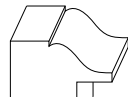
7054 1 1/2 x 1 P 97



7055 1 3/8 x 1 3/4 P 101



7056 1 1/8 x 1 3/8 P 94



7057 1 7/8 x 2 1/8 P 95



7058 1 1/8 x 7/8 P 99



7059 1 3/8 x 1 1/2 P 96



7060 1 13/16 x 1 3/4 P 97



7061 1 5/8 x 1 7/8 P 98



7062 1 1/8 x 7/8 P 100



7063 1 1/8 x 1 1/4 P 100



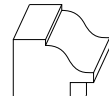
7064 1 5/8 x 1 3/4 P 102, 234



7065 1 3/8 x 1 11/16 P 93



7066 1 13/16 x 2 P 93



7067 1 7/8 x 1 11/16 P 93



7068 1 9/16 x 1 7/16 P 93



7069 1 1/16 x 1 3/8 P 99



7070 1 3/4 x 15/16 P 102, 234



7071 1 1/16 x 1 1/8 P 97



7072 1 1/8 x 1 3/4 P 98



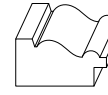
7073 1 9/16 x 1 5/8 P 95



7074 1 1/16 x 1 1/2 P 101



7075 1 1/2 x 1 7/8 P 96



7076 15/16 x 1 7/8 P 96



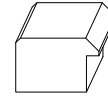
7077 1 1/4 x 7/8 P 97



7078 13/16 x 1 1/8 P 99



7079 1 1/8 x 1 P 97



7080 1 3/32 x 1 11/16 P 99



7081 1 3/32 x 1 3/16 P 99



7082 15/16 x 1 1/2 P 94



7083 1 1/8 x 1 P 97



7084 1 11/16 x 1 1/16 P 100



7085 1 7/16 x 1 5/16 P 102



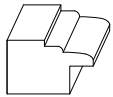
7086 7/8 x 1 1/8 P 98



7087 1 1/8 x 1 3/8 P 98



7088 7/8 x 1 1/8 P 98



7089 1 1/8 x 1 13/16 P 102



7090 1 1/16 x 1 1/8 P 98



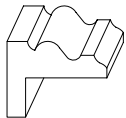
7091 1 1/16 x 1 3/8 P 94



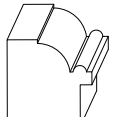
7092 1 1/2 x 1 1/2 P 96



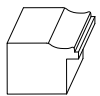
7093 1 1/4 x 2 1/8 P 96



7094 1 9/16 x 2 1/16 P 102



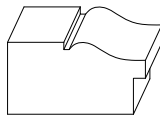
7095 1 13/16 x 1 3/4 P 97



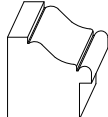
7096 1 1/16 x 1 1/2 P 100



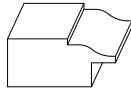
7097 2 x 1 1/16 P 100



7098 1 1/2 x 2 7/8 P 94



7099 1 11/16 x 1 3/4 P 96



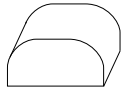
7100 1 x 2 1/4 P 94



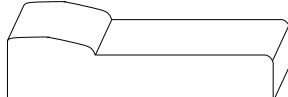
7102 13/16 x 1 P 97



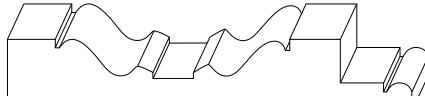
8001 3/4 x 2 1/8 P 268



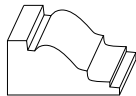
8002 1 x 2 P 77



8003 1 5/16 x 5 1/2 P 52



8004 1 1/2 x 8 1/2 P 65



8005 1 3/16 x 2 5/16 P 242



8006 5/8 x 1 3/16 P 271



8007 9/16 x 1 1/2 P 272



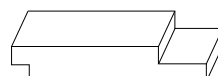
8008 1/2 x 1 3/8 P 279, 288



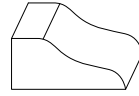
8009 13/16 x 1 1/16 P 273



8010 1 3/4 x 7/8 P 273



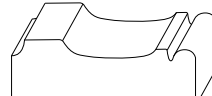
8011 3/4 x 4 P 300



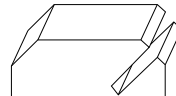
8012 1 1/16 x 2 3/8 P 328



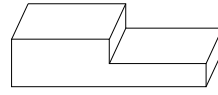
8013 5/8 x 1 1/2 P 79



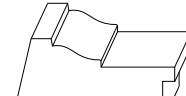
8014 1 3/8 x 3 13/16 P 91



8015 3 1/4 x 3 1/4 P 321



8016 1 x 4 P 49



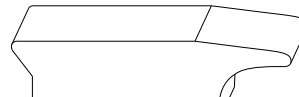
8017 1 3/4 x 3 3/8 P 342



8018 1 11/16 x 2 7/16 P 237



8019 1 3/8 x 3 1/2 P 233



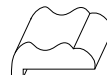
8020 1 3/4 x 5 3/4 P 341



8021 1 x 1 3/8 P 271



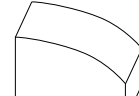
8022 1 1/8 x 5 P 78, 289



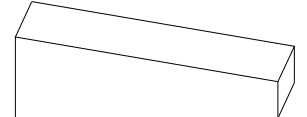
8023 3/4 x 1 3/4 P 268



8024 3/4 x 2 1/4 P 80



8025 1 3/4 x 2 5/16 P 257, 290



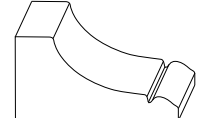
8026 1 3/4 x 5 1/2 P 114



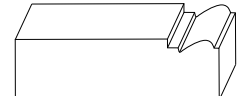
8027 3/4 x 2 1/8 P 268



8028 1/2 x 1 5/8 P 279, 288



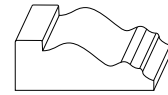
8029 1 3/4 x 3 7/16 P 203



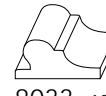
8030 1 1/4 x 4 1/4 P 338



8031 1 1/2 x 1 3/4 P 252



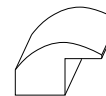
8032 1 1/8 x 2 7/8 P 231



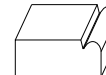
8033 13/16 x 1 3/4 P 333



8034 1 3/8 x 1 1/2 P 262



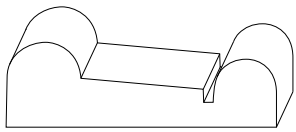
8035 1 1/16 x 1 7/8 P 271



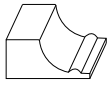
8036 3/4 x 1 3/4 P 82



8037 1 x 3 15/16 P 78, 288



8038 1 3/4 x 5 1/2 P 61



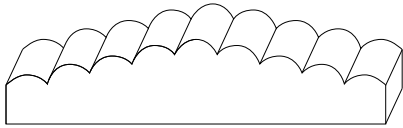
8039 13/16 x 1 3/4 P 203



8040 1/4 x 7/16 P 325



8041 3/4 x 1 1/2 P 85



8042 1 3/4 x 7 7/8 P 76



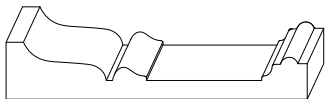
8043 1 x 1 1/4 P 338



8044 1/2 x 5 5/8 P 277



8045 1 1/8 x 5 3/4 P 337



8046 1 3/16 x 6 1/4 P 60



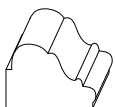
8047 1 x 2 P 231



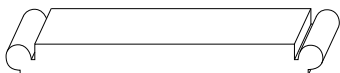
8048 7/8 x 3 11/16 P 76



8049 1 1/2 x 5 1/2 P 76



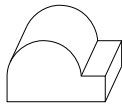
8050 15/16 x 1 7/8 P 238



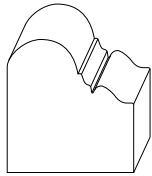
8051 5/8 x 6 5/8 P 92



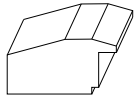
8052 3/4 x 1 P 278



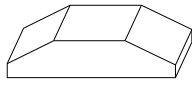
8053 1 1/4 x 2 P 251



8054 2 3/4 x 2 5/8 P 234



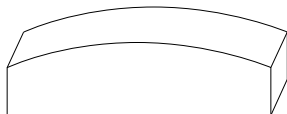
8055 1 1/8 x 2 1/4 P 274



8056 3/4 x 3 1/2 P 283



8057 3/4 x 1 1/4 P 279



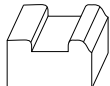
8058 1 1/2 x 5 1/2 P 78, 289



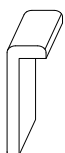
8059 3/8 x 1 1/2 P 332



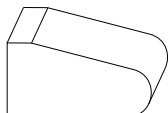
8060 11/16 x 1 1/2 P 332



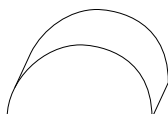
8061 1 x 1 3/4 P 332



8062 2 1/4 x 3/4 P 273



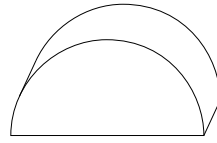
8063 1 1/2 x 3 P 295



8064 1 1/2 x 3 P 250, 287



8065 9/16 x 2 1/4 P 274



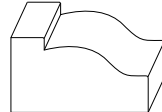
8066 2 x 4 P 250, 287



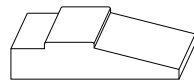
8067 1 1/8 x 3 3/8 P 259



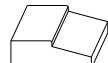
8068 1 3/4 x 3 3/4 P 181



8069 1 9/16 x 2 7/8 P 241



8070 3/4 x 3 1/2 P 249



8071 9/16 x 1 11/16 P 327



8072 3/4 x 2 P 279



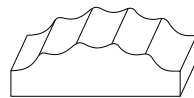
8073 7/8 x 1 1/2 P 260



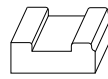
8074 1 x 1 1/2 P 193



8075 3/4 x 2 3/8 P 250, 287



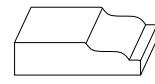
8076 1 1/8 x 3 9/16 P 74



8077 5/8 x 1 3/4 P 332



8078 1/2 x 2 1/2 P 327, 335



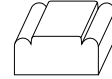
8079 11/16 x 2 5/8 P 259



8080 3/4 x 1 3/4 P 259



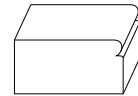
8081 5/8 x 13/16 P 266



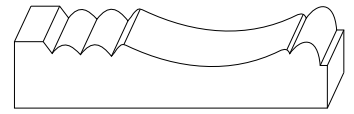
8082 13/16 x 1 3/4 P 85



8083 7/8 x 1 7/8 P 76



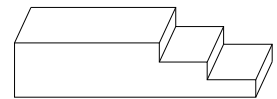
8084 1 1/8 x 2 1/4 P 81



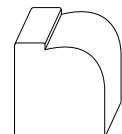
8085 1 3/8 x 6 1/2 P 337



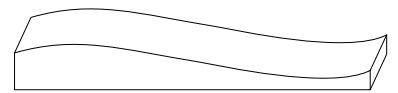
8086 1 5/16 x 2 1/2 P 252



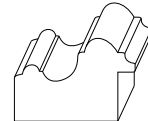
8087 1 1/8 x 5 P 50



8088 1 15/16 x 1 7/8 P 77



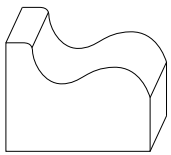
8089 15/16 x 7 3/8 P 342



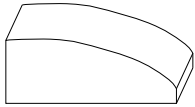
8090 1 3/4 x 2 1/2 P 270



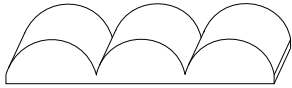
8091 1 3/8 x 1 3/8 P 260



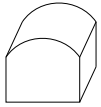
8092 2 1/4 x 3 P 258



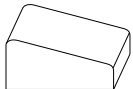
8093 1 3/8 x 3 1/2 P 80



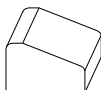
8094 7/8 x 5 1/2 P 75



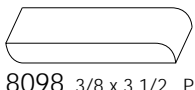
8095 1 5/16 x 1 1/2 P 77, 288



8096 1 x 2 1/4 P 113



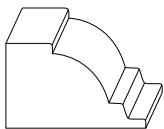
8097 1 x 1 5/8 P 113



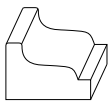
8098 3/8 x 3 1/2 P 340



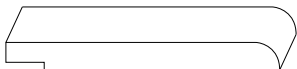
8099 1 3/8 x 2 1/4 P 254



8100 1 3/4 x 2 15/16 P 261



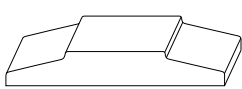
8101 1 3/16 x 1 3/4 P 259



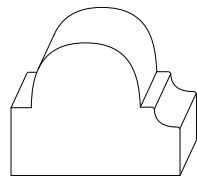
8102 9/16 x 5 3/4 P 340



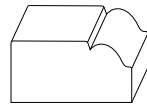
8103 1 1/8 x 3 1/8 P 341



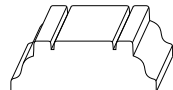
8104 3/4 x 4 1/2 P 283



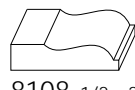
8105 2 3/4 x 3 1/2 P 252



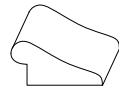
8106 1 1/4 x 2 1/2 P 242



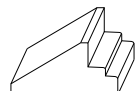
8107 1 1/16 x 3 P 278



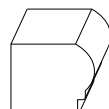
8108 1/2 x 2 1/4 P 258



8109 7/8 x 1 7/8 P 333



8110 1 1/16 x 2 1/4 P 248



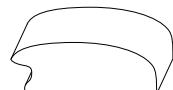
8111 1 1/2 x 1 3/4 P 332



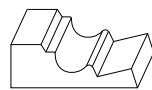
8112 1 5/16 x 2 1/4 P 219



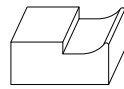
8113 3/4 x 1 1/2 P 332



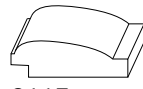
8114 1 1/8 x 3 1/8 P 332



8115 7/8 x 2 5/8 P 232



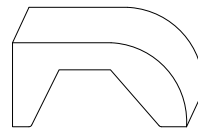
8116 7/8 x 2 P 332



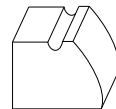
8117 3/4 x 2 1/2 P 272



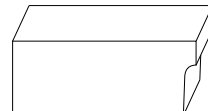
8118 3/8 x 1 1/2 P 79



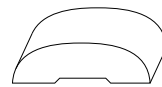
8119 1 3/4 x 3 5/8 P 80



8120 1 3/8 x 1 7/8 P 222, 263



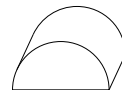
8121 1 1/2 x 3 13/16 P 194



8122 7/8 x 2 7/8 P 250, 287



8123 15/16 x 1 P 327



8124 1 x 2 P 250, 287



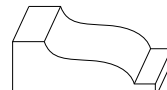
8125 3/4 x 2 1/4 P 233



8126 3/4 x 2 3/4 P 233



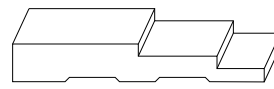
8127 3/4 x 2 1/4 P 233



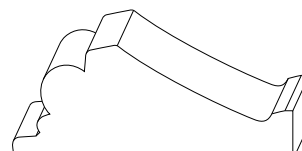
8128 1 1/8 x 3 P 259



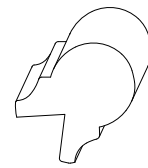
8129 1 15/16 x 1 1/16 P 339



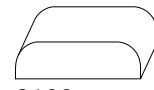
8130 3/4 x 5 1/4 P 50



8131 2 5/16 x 5 7/8 P 249



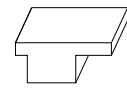
8132 2 1/2 x 1 3/4 P 286



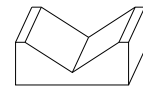
8133 3/4 x 2 5/8 P 77



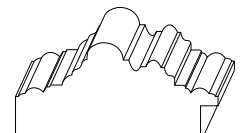
8134 1 1/8 x 1 7/8 P 339



8135 7/8 x 2 P 273



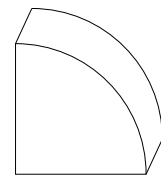
8136 7/8 x 2 3/8 P 338



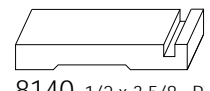
8137 2 x 4 1/4 P 270



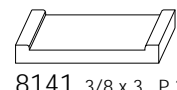
8138 3/4 x 1 1/2 P 73



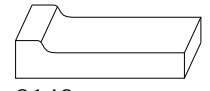
8139 2 3/4 x 2 3/4 P 257, 289



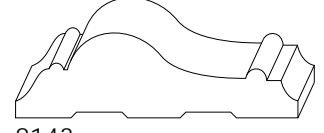
8140 1/2 x 3 5/8 P 157



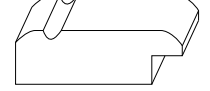
8141 3/8 x 3 P 339



8142 3/4 x 3 1/2 P 193



8143 1 3/4 x 5 7/8 P 223

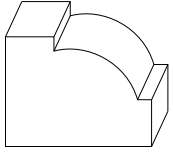


8144 1 1/8 x 3 1/2 P 274

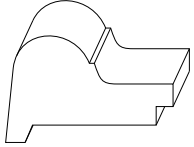




8145 3/4 x 3 P 77, 288



8146 2 1/4 x 3 P 261



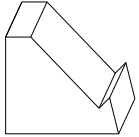
8147 2 1/4 x 3 1/2 P 234



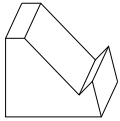
8148 1 1/8 x 1 P 285



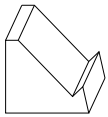
8149 3/4 x 3 P 113



8150 2 x 2 3/8 P 248



8151 1 3/8 x 2 P 248



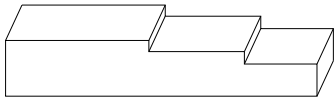
8152 1 1/2 x 1 3/4 P 248



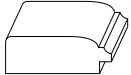
8153 11/16 x 1 3/4 P 333



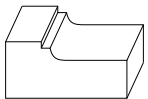
8154 3/4 x 1 3/16 P 251



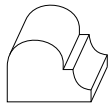
8155 1 1/8 x 6 1/2 P 51



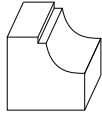
8156 3/4 x 2 1/4 P 274



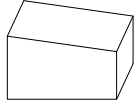
8157 1 1/8 x 2 1/2 P 193



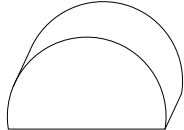
8158 1 1/4 x 1 3/4 P 252



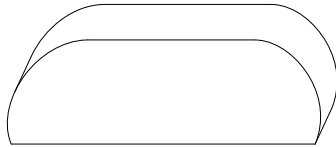
8159 1 1/2 x 1 5/8 P 97



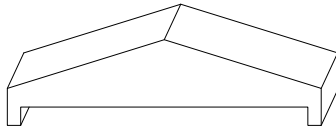
8160 1 1/4 x 2 1/2 P 113



8161 1 7/8 x 3 1/4 P 250, 287



8162 2 1/8 x 6 1/2 P 78



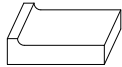
8163 1 3/4 x 6 1/2 P 310



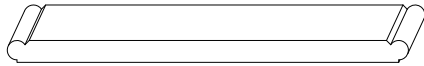
8164 1 1/4 x 1 1/4 P 262



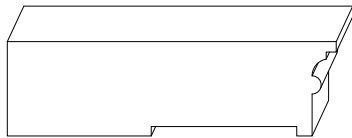
8165 3/8 x 1 5/8 P 272, 288



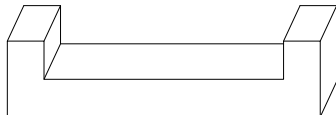
8166 1/2 x 2 P 193



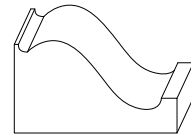
8167 7/16 x 8 1/4 P 92



8168 1 7/8 x 6 13/16 P 203



8169 1 1/2 x 6 1/2 P 67



8170 1 13/16 x 3 3/8 P 239



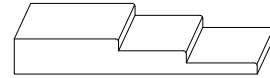
8171 3/8 x 1 5/8 P 272, 288



8172 1 1/16 x 7/8 P 329



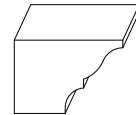
8173 3/4 x 1 P 193



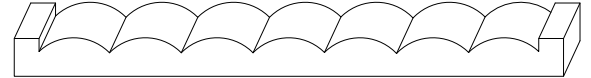
8174 3/4 x 5 P 50



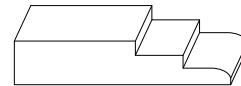
8175 11/16 x 9 3/8 P 303



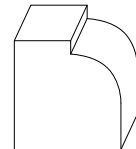
8176 1 1/4 x 2 1/4 P 178



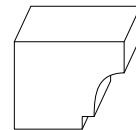
8177 3/4 x 11 3/8 P 77



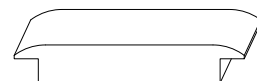
8178 7/8 x 4 1/2 P 50



8179 2 1/4 x 2 1/4 P 77



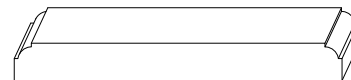
8180 1 3/4 x 2 1/4 P 201



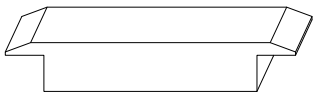
8181 3/4 x 4 3/4 P 280



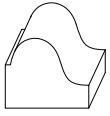
8182 3/4 x 5 1/4 P 280



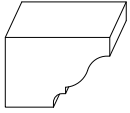
8183 3/4 x 6 7/8 P 279



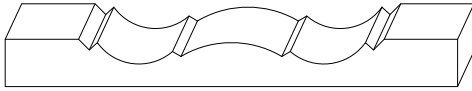
8184 1 x 6 P 280



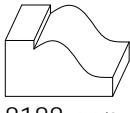
8185 1 5/8 x 1 3/4 P 191, 255



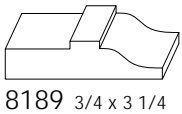
8186 1 3/8 x 2 1/8 P 178



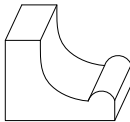
8187 1 x 9 1/4 P 65



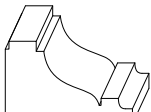
8188 1 1/8 x 2 3/16 P 243



8189 3/4 x 3 1/4 P 242



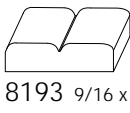
8190 1 5/8 x 2 1/4 P 203



8191 1 11/16 x 2 5/8 P 261



8192 3/4 x 1 3/4 P 333



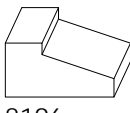
8193 9/16 x 2 1/4 P 75



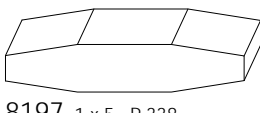
8194 3/4 x 1 1/8 P 327



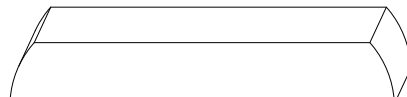
8195 1 1/16 x 3 1/2 P 75



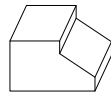
8196 1 1/8 x 2 1/4 P 327



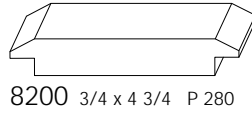
8197 1 x 5 P 338



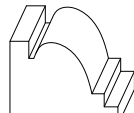
8198 1 1/2 x 8 P 279



8199 1 x 1 3/4 P 327



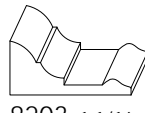
8200 3/4 x 4 3/4 P 280



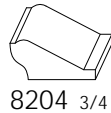
8201 1 3/4 x 2 1/4 P 263



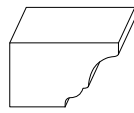
8202 1 1/2 x 4 P 177



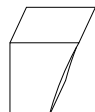
8203 1 1/16 x 2 1/2 P 232



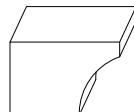
8204 3/4 x 1 3/4 P 249



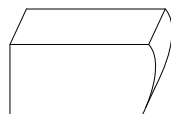
8205 1 3/8 x 2 1/4 P 219



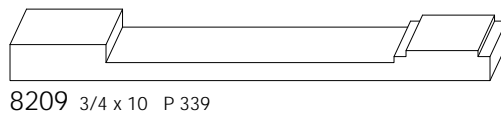
8206 1 1/2 x 1 3/8 P 339



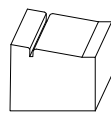
8207 1 1/2 x 2 1/4 P 198



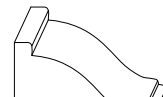
8208 2 1/4 x 3 P 341



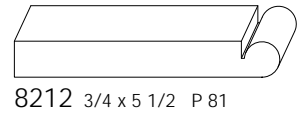
8209 3/4 x 10 P 339



8210 1 3/8 x 1 3/4 P 339



8211 2 3/8 x 2 13/16 P 241



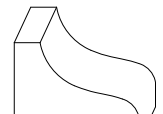
8212 3/4 x 5 1/2 P 81



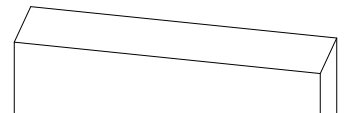
8213 1/2 x 2 1/4 P 80



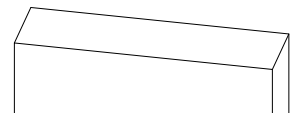
8214 1 1/16 x 2 P 243



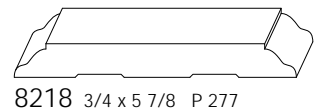
8215 2 1/8 x 2 5/8 P 246



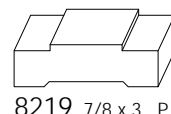
8216 2 1/2 x 6 3/8 P 115



8217 2 1/8 x 5 3/8 P 114



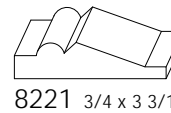
8218 3/4 x 5 7/8 P 277



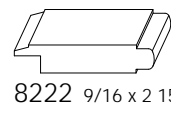
8219 7/8 x 3 P 157



8220 9/16 x 1 P 338



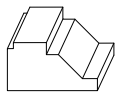
8221 3/4 x 3 3/16 P 249



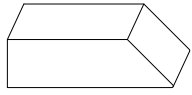
8222 9/16 x 2 15/16 P 274



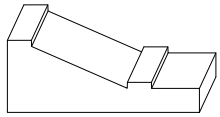
8223 7/16 x 1 3/8 P 79



8224 1 x 1 7/8 P 327



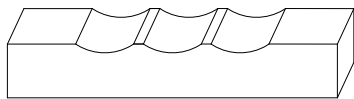
8225 1 x 3 1/2 P 114



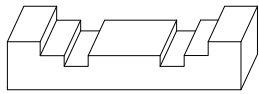
8226 1 1/2 x 4 P 61



8227 3/4 x 2 P 267



8228 1 1/8 x 6 7/8 P 74



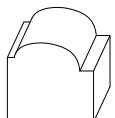
8229 1 x 4 7/8 P 66



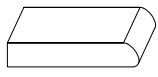
8230 15/16 x 1 13/16 P 250, 287



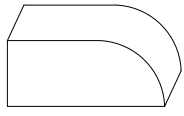
8231 1 1/8 x 2 1/2 P 290



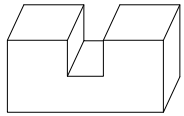
8232 1 11/16 x 1 13/16 P 254



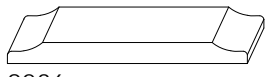
8233 1/2 x 2 3/4 P 326, 336



8234 1 3/4 x 3 5/16 P 80



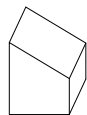
8235 1 1/2 x 3 1/4 P 324



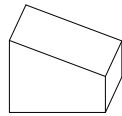
8236 7/16 x 5 P 277



8237 3/4 x 1 1/2 P 338



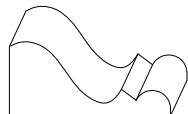
8238 1 1/2 x 1 1/4 P 113



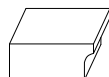
8239 1 1/2 x 2 P 113



8240 1 1/8 x 1 9/16 P 222, 263



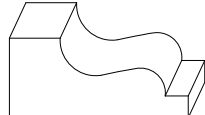
8241 1 9/16 x 3 3/8 P 239



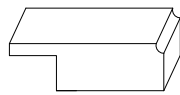
8242 3/4 x 1 3/4 P 194



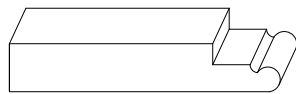
8243 1 1/4 x 1 P 338



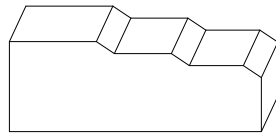
8244 1 5/8 x 3 3/4 P 258



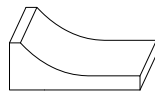
8245 1 x 3 1/4 P 273



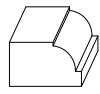
8246 1 x 5 11/16 P 92



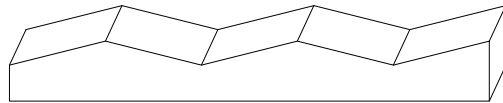
8247 1 7/8 x 5 1/4 P 113



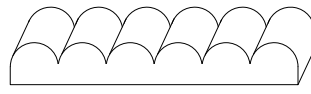
8248 1 x 2 3/4 P 193



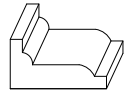
8249 15/16 x 1 1/2 P 262



8250 1 1/4 x 10 P 339



8251 7/8 x 6 P 75



8252 1 x 2 P 332



8253 1 1/4 x 1 1/2 P 251



8254a 2 x 1 5/8 P 101



8254b 9/16 x 1 1/8 P 266



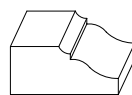
8255 1 x 13/16 P 327



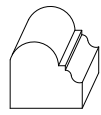
8256 13/16 x 13/16 P 327



8257 13/16 x 13/16 P 273



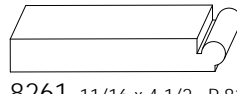
8258 1 x 2 1/4 P 243



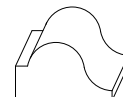
8259 1 3/8 x 1 1/2 P 252



8260 3/4 x 1 5/8 P 333



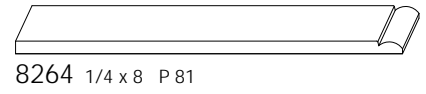
8261 1 1/16 x 4 1/2 P 81



8262 1 1/2 x 2 P 191, 255



8263 1 1/4 x 8 P 116



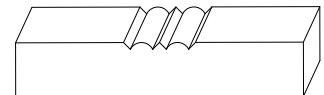
8264 1/4 x 8 P 81



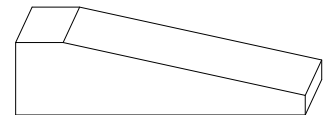
8265 1 3/4 x 1 3/4 P 76



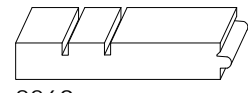
8266 1 1/8 x 3 1/2 P 71



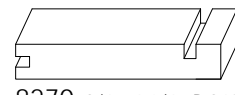
8267 1 1/8 x 6 P 71



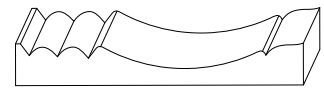
8268 1 1/2 x 6 P 115



8269 3/4 x 4 1/2 P 340



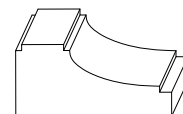
8270 3/4 x 4 1/4 P 340



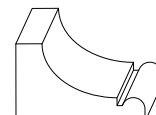
8271 7/8 x 6 P 337



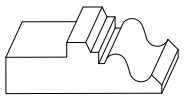
8272 7/8 x 8 P 338



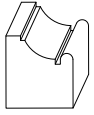
8273 1 1/2 x 3 1/4 P 248



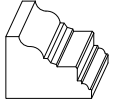
8274 1 5/8 x 2 3/4 P 203



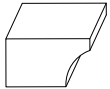
8275 1 1/16 x 3 1/4 P 240



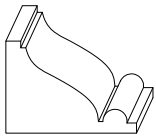
8276 1 1/2 x 1 7/16 P 203



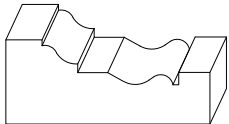
8277 1 1/4 x 1 3/4 P 219



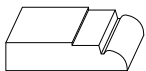
8278 1 x 1 3/4 P 199



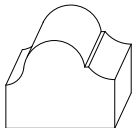
8279 1 7/8 x 2 3/4 P 261



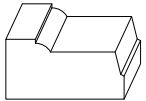
8280 1 3/4 x 4 5/16 P 60



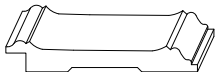
8281 1 1/2 x 1 7/16 P 51



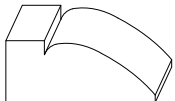
8282 1 7/8 x 2 5/16 P 234



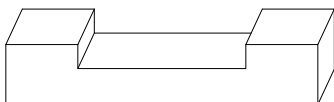
8283 1 1/4 x 2 1/2 P 231



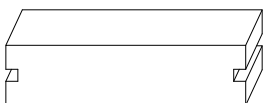
8284 5/8 x 4 P 337



8285 1 5/16 x 3 1/8 P 77



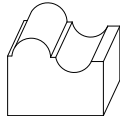
8286 1 1/4 x 6 1/2 P 67



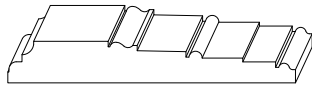
8287 1 1/4 x 5 P 340



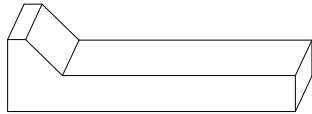
8288 1/2 x 3/4 P 193, 329



8289 1 5/8 x 2 P 237



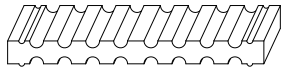
8290 7/8 x 5 15/16 P 55



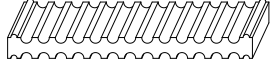
8291 1 1/2 x 6 P 61



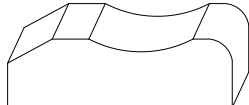
8292 1 1/16 x 1 3/8 P 285



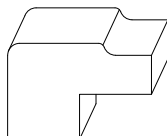
8293 1/2 x 5 3/6 P 74



8294 1/2 x 5 1/8 P 74



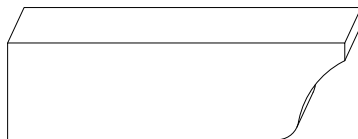
8295 1 7/16 x 4 11/16 P 341



8296 2 x 3 P 274



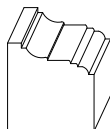
8297 1 1/4 x 5 15/16 P 61



8298 2 x 7 P 294



8299 5/16 x 7 P 77



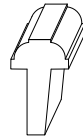
8300 1 13/16 x 1 13/16 P 219



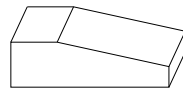
8301 1 1/16 x 1 1/8 P 251



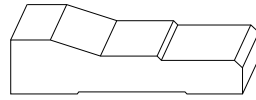
8309 2 3/8 x 1 1/4 P 279



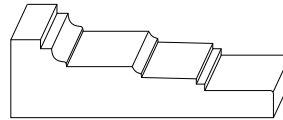
8310 2 x 1 1/4 P 279



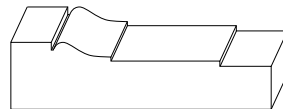
8501 1 5/16 x 3 1/4 P 103



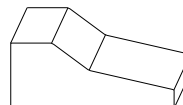
8502 1 1/8 x 4 3/4 P 111



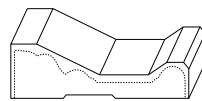
8503 1 5/8 x 5 1/2 P 112



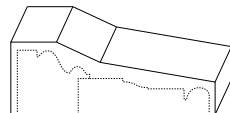
8504 1 3/8 x 5 3/8 P 110



8505 1 3/8 x 3 3/8 P 107



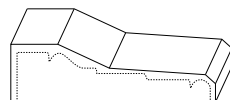
8506 1 1/8 x 3 11/16 P 110



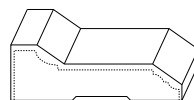
8507 1 1/2 x 4 1/4 P 107



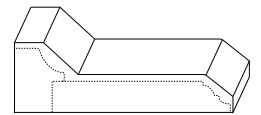
8508 1 x 4 1/2 P 104



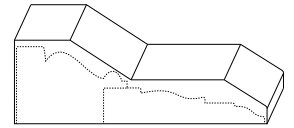
8509 1 3/16 x 4 1/4 P 109



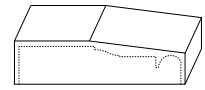
8510 1 1/8 x 3 9/16 P 108



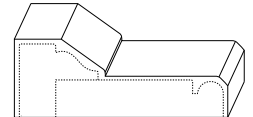
8511 1 7/16 x 4 9/16 P 109



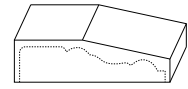
8512 1 3/4 x 5 1/4 P 109



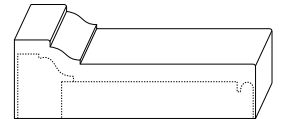
8513 7/8 x 3 9/16 P 103



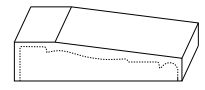
8514 1 5/8 x 4 7/16 P 109



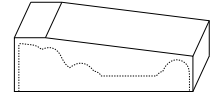
8515 7/8 x 3 1/4 P 103



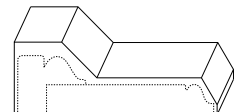
8516 1 5/8 x 5 P 110



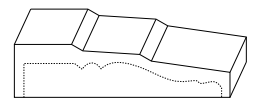
8517 1 3/16 x 3 1/2 P 103



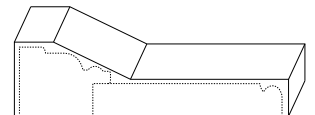
8518 1 1/8 x 3 3/4 P 103



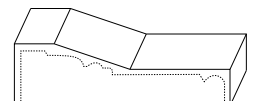
8519 1 1/2 x 4 1/4 P 108



8520 1 1/16 x 4 1/2 P 111



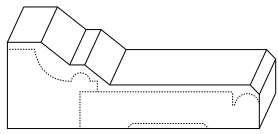
8521 1 1/2 x 5 3/4 P 107



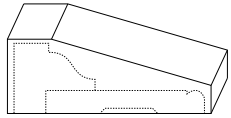
8522 1 1/4 x 4 1/2 P 107



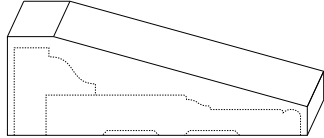
8523 1 1/8 x 3 3/4 P 108



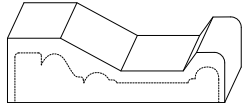
8524 1 3/4 x 5 1/4 P 111



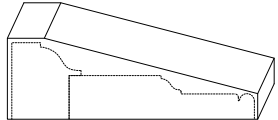
8525 1 1/2 x 4 1/4 P 104



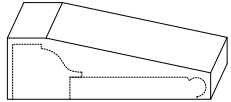
8526 2 x 6 1/2 P 106



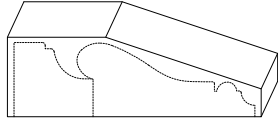
8527 1 5/16 x 4 1/2 P 110



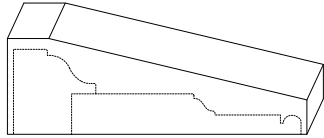
8528 1 5/8 x 5 3/16 P 105



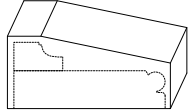
8529 1 1/4 x 4 3/16 P 104



8530 1 5/8 x 5 1/4 P 105



8531 2 x 6 1/4 P 106



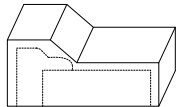
8532 1 7/16 x 3 3/8 P 103



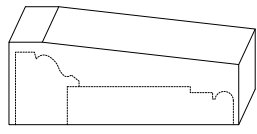
8533 1 x 4 P 112



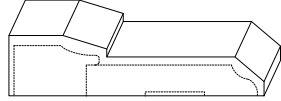
8534 1 5/16 x 2 3/4 P 112



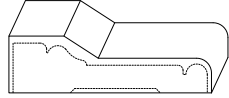
8535 1 3/8 x 3 1/8 P 107



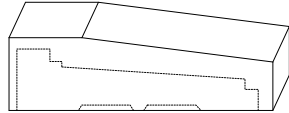
8536 1 3/4 x 4 3/4 P 104



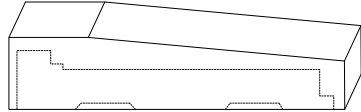
8537 1 1/4 x 5 3/8 P 111



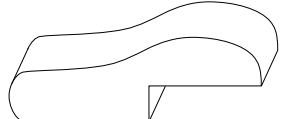
8538 1 3/16 x 4 1/4 P 108



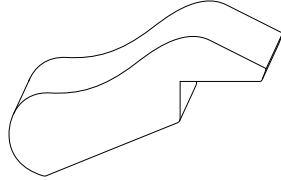
8539 1 1/2 x 5 1/2 P 105



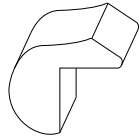
8540 1 1/2 x 7 P 106



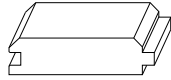
8601 1 3/4 x 5 1/4 P 323



8602 1 5/8 x 5 1/2 P 323



8603 1 5/8 x 2 1/2 P 323



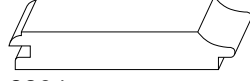
8901 3/4 x 2 3/4 P 301



8902 3/4 x 5 P 301



8903 3/4 x 7 1/4 P 307



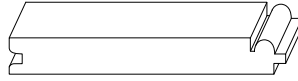
8904 1 3/16 x 4 1/4 P 303



8905 3/4 x 4 15/16 P 305



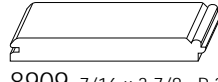
8906 3/8 x 3 1/4 P 305



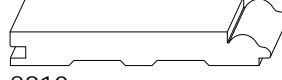
8907 3/4 x 5 1/2 P 306



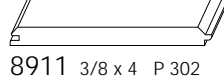
8908 7/8 x 5 1/8 P 300



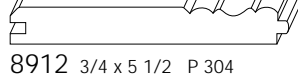
8909 7/16 x 3 7/8 P 306



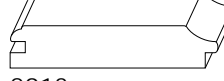
8910 1 1/16 x 5 1/8 P 306



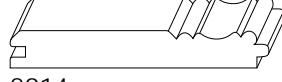
8911 3/8 x 4 P 302



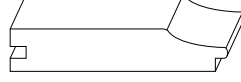
8912 3/4 x 5 1/2 P 304



8913 7/8 x 4 P 303



8914 3/4 x 5 1/8 P 304



8915 7/8 x 4 1/4 P 303



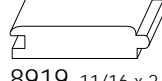
8916 7/8 x 7 P 304



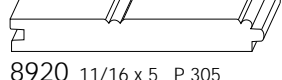
8917 3/4 x 5 1/2 P 302



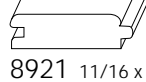
8918 3/4 x 5 1/4 P 302



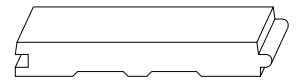
8919 1 1/16 x 2 5/8 P 301



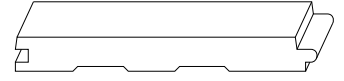
8920 1 1/16 x 5 P 305



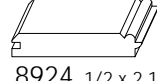
8921 1 1/16 x 2 1/4 P 301



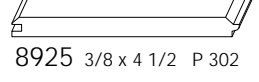
8922 1 1/16 x 5 1/8 P 301



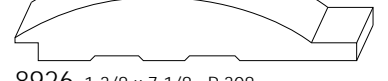
8923 1 1/16 x 5 7/8 P 302



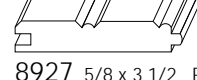
8924 1/2 x 2 1/2 P 306



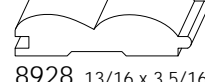
8925 3/8 x 4 1/2 P 302



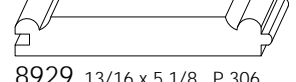
8926 1 3/8 x 7 1/8 P 308



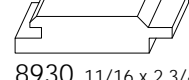
8927 5/8 x 3 1/2 P 305



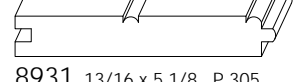
8928 1 3/16 x 3 5/16 P 308



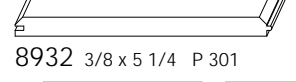
8929 1 3/16 x 5 1/8 P 306



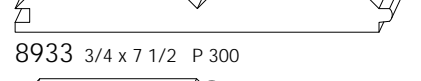
8930 1 1/16 x 2 3/4 P 301



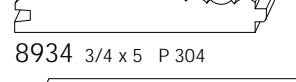
8931 1 3/16 x 5 1/8 P 305



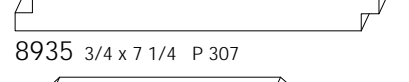
8932 3/8 x 5 1/4 P 301



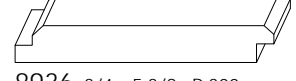
8933 3/4 x 7 1/2 P 300



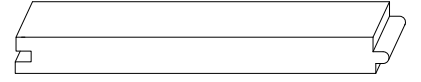
8934 3/4 x 5 P 304



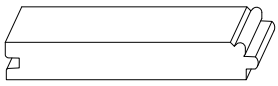
8935 3/4 x 7 1/4 P 307



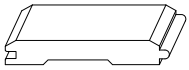
8936 3/4 x 5 3/8 P 300



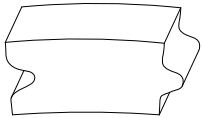
8937 3/4 x 7 1/2 P 299



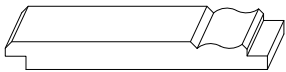
8938 3/4 x 5 P 306



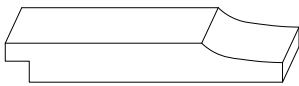
8939 1/2 x 3 1/4 P 301



8940 1 9/16 x 3 1/4 P 308



8941 3/4 x 5 1/8 P 304



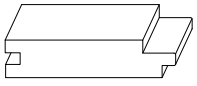
8942 1 3/16 x 5 1/2 P 302



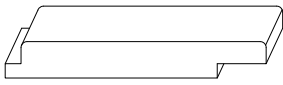
8943 7/8 x 2 3/4 P 308



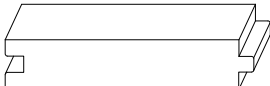
8944 1 1/16 x 5 3/8 P 303



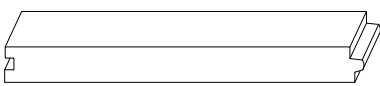
8945 1 3/16 x 3 1/4 P 299



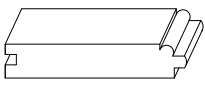
8946 3/4 x 5 1/8 P 300



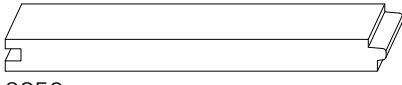
8947 1 1/16 x 4 7/8 P 299



8948 3/4 x 7 1/4 P 299



8949 3/4 x 3 1/4 P 306



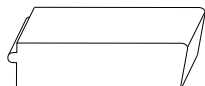
8950 3/4 x 7 3/4 P 299



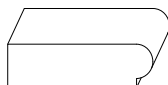
9001 3/4 x 2 1/2 P 291



9002 1 1/16 x 3 1/2 P 291



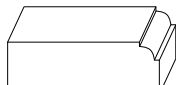
9003 1 1/16 x 3 3/4 P 291



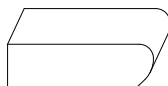
9004 1 1/16 x 3 P 14, 292



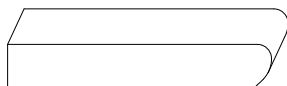
9004w 1 1/16 x 5 1/2 P 14, 292



9005 1 1/16 x 3 1/4 P 294



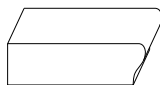
9006 1 1/16 x 3 P 14, 293



9006w 1 1/16 x 5 1/2 P 14, 293



9007 1 1/8 x 2 1/4 P 293



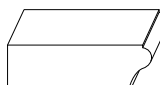
9008 7/8 x 2 7/8 P 293



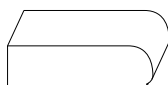
9009 7/8 x 1 1/2 P 294



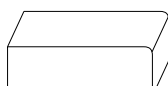
9010 1 1/16 x 1 1/2 P 292



9011 1 1/16 x 3 P 294



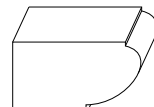
9012 1 1/8 x 3 P 292



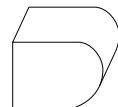
9013 1 1/8 x 3 P 291



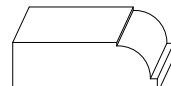
9014 1 1/16 x 1 5/8 P 292



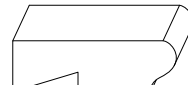
9015 1 1/2 x 2 3/4 P 292



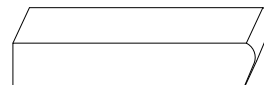
9016 1 1/2 x 1 7/8 P 292



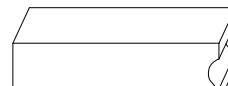
9017 1 x 3 P 294



9018 1 1/16 x 3 3/8 P 293



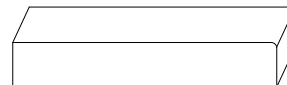
9019 1 1/16 x 5 P 293



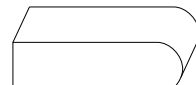
9020 1 1/2 x 4 1/4 P 294



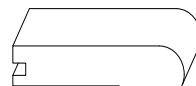
9021 1 x 3 P 15, 291



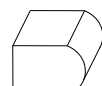
9021w 1 x 5 1/2 P 15, 291



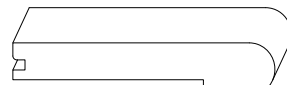
9101 1 1/16 x 3 1/2 P 295



9102 1 x 3 1/2 P 15, 296



9103 1 1/16 x 1 1/2 P 295



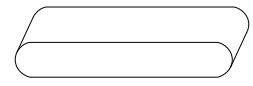
9104 1 x 5 1/2 P 15, 297



9105 3/4 x 1 5/8 P 296



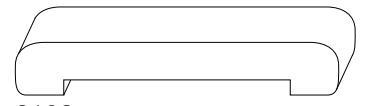
9106 3/4 x 3 P 295



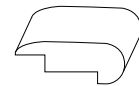
9107 3/4 x 4 1/2 P 295



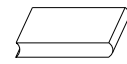
9108 3/4 x 2 P 297



9109 1 1/16 x 6 3/4 P 296



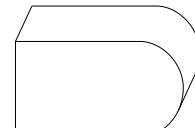
9110 1 3/16 x 2 1/4 P 297



9111 5/16 x 2 P 295



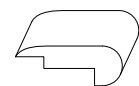
9112 1/2 x 1 1/4 P 15, 295



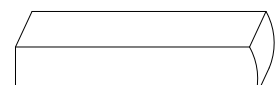
9113 2 x 3 1/2 P 295



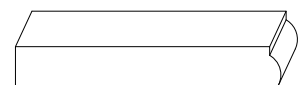
9114 1 1/4 x 1 5/8 P 297



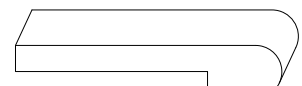
9115 7/8 x 2 1/4 P 297



9116 1 1/8 x 5 P 298



9117 1 1/8 x 5 1/2 P 298



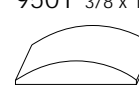
9118 1 1/16 x 5 1/2 P 297




9119 1 1/16 x 2 15/16 P 298




9501 3/8 x 1 1/2 P 251, 282, 288




9502 1/2 x 2 1/2 P 251, 282, 288




9503 3/4 x 1 1/2 P 251, 282, 288




9504 9/16 x 2 P 251, 282, 288




9505 3/4 x 3/4 P 273, 281



9506 1/2 x 1 P 273, 281



9507 3/4 x 1 P 273, 281




9508 1 x 1 P 273, 281




9509 3/8 x 1 1/2 P 272, 282




9510 1/2 x 1 1/2 P 272, 281




9511 5/8 x 1 3/8 P 271, 281




9512 5/8 x 1 5/8 P 271, 282




9513 9/16 x 2 1/2 P 271, 281




9514 3/4 x 1 3/4 P 271, 281




9515 3/4 x 1 3/8 P 271, 281




9516 7/8 x 1 7/8 P 272, 281




9517 3/4 x 3 P 271, 282




9518 1 x 2 P 272, 282




9519 1 x 1 3/4 P 271, 281




9520 1 x 2 1/2 P 272, 282



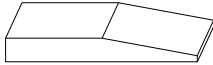
9521 1 1/8 x 2 1/2 P 271, 281



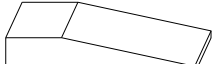
9522 1 1/8 x 3 1/8 P 271, 282




9523 1/2 x 1 1/2 P 272, 282




9524 1/2 x 3 7/8 P 284



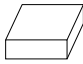
9525 3/4 x 3 7/8 P 284



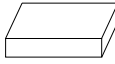
9526 1 7/8 x 3/4 P 273, 283



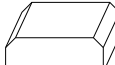
9527 2 x 3/4 P 273, 283



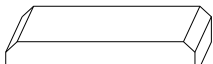
9528 3/8 x 1 1/4 P 283, 325




9529 3/8 x 2 P 283, 325



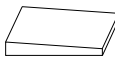
9530 3/4 x 2 P 284




9531 3/4 x 3 7/8 P 284



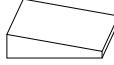
9532 3/4 x 2 P 274, 283



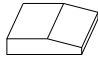
9533 1/4 x 2 P 284



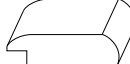
9534 3/8 x 2 P 284



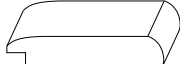
9535 1/2 x 2 P 284



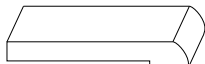
9536 5/16 x 1 1/2 P 284




9537 7/8 x 2 1/4 P 297



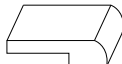
9538 7/8 x 3 1/4 P 297



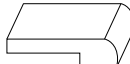
9539 7/8 x 3 3/4 P 296



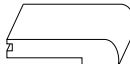
9540 7/8 x 3 3/4 P 296



9541 7/8 x 2 P 296



9542 7/8 x 2 1/4 P 296



9543 7/8 x 2 1/4 P 296





## CUSTOM ORDER POLICIES

For all non-stock items, a 10% production charge will be added for all specified lengths.

Orders must be paid upon delivery or pickup unless an account has been set-up.

Custom profiles may be over-run by 10%.

All custom millwork is non-returnable except for the amount that exceeds 10% more than our take-off.

For all non-stock profiles, a set-up charge will be assessed for production runs less than 499 lineal feet. No set-up charge is required for orders exceeding 500 lineal feet.

There is a minimum tooling and set-up charge of \$150 for all new profiles. Tooling charges are based on profile size and complexity.

A deposit is required at the time the order is placed for all custom work.

## RETURN POLICIES

A 20% restocking charge will be applied to all returns.

We only accept returns on items that we carry in stock.

All returns must be accompanied by a receipt.

Damaged, soiled, cut, or altered items are not returnable.

Goods are not returnable after 45 days.

Any shortages in orders must be reported within one working day from pick-up or delivery.

Defect items must be returned within 30 days from delivery.

All returns are subject to our approval.

Because wood is a natural product, we are not responsible for variation in color and mineral stains that may occur.

Any defects must be reported before staining, cutting, or installation.

## WARRANTY POLICIES

Sealing and finishing should be done as soon as possible to maintain wood stability.

All wood products must be maintained under stable temperature and humidity conditions to remain under warranty.

Do not expose wood to rain or snow as water spots could show up after finishing voiding the warranty.

Do not expose wood to extremely high, low, or fluctuating humidity. A relative humidity of 20-60% is ideal.

Wet or damp concrete, plaster, and drywall can transmit moisture to unfinished wood which could lead to swelling, joint separation or warpage and will not be covered under warranty.

Excessive heat, dryness, or sudden temperature changes can cause twisting, cupping, or warping and will not be covered under warranty.

## SHIPPING POLICIES

Our driver will not carry any material into the house.

All material will be unloaded and placed in the garage.

If the house or garage is locked, please give us the key location or the lockbox combination.

We do not require anyone to be at the delivery site as long as there is access to the garage. If there is no access from the driveway, then we require someone to assist to carry materials from the street.

All material to be returned must be placed in the garage.

UPS shipping and handling charges are non-refundable.

## GLOSSARY OF MOULDING TERMS

BACK BAND - Rabbeted moulding surrounding the outside edge of casing

BASE - Moulding applied where floor and walls meet, forming a visual foundation

BASE CAP - Decorative moulding installed flush against the wall and top of an S4S baseboard

CASED OPENING - An interior opening without a door that is finished with jambs and trim

CASING - Moulded or surfaced-four-sided pieces of various widths and thicknesses for trimming out door and window openings

CORNER BLOCKS - Square blocks used in place of mitering the sides and head casing

CORNICE - Any molding or group of moldings used in the corner between a wall and a ceiling

COVE - Moulding with a concave profile used at corners, particularly as a ceiling cornice

CHAIR RAIL - Wooden moulding placed along the lower part of the wall to prevent damage

CROWN - Highest part of built-in or wall, often above eye level, usually the upper trim on interior walls

DADO - A wide flat-bottomed groove cut at a right angle to the grain of a piece of wood. Also, the lower area of a wall (below chair rail) that is wallpapered

DENTIL MOULD - A smaller rectangle block which can be spaced closely together in a series or in sequence with moulding and projecting like teeth as used in cornice, front entrances and mantels, and crossheads

DOOR STOP - Moulding nailed to faces of the door frame to prevent the door from swinging through

ENTABLATURE - The superstructure of moldings and bands which lie horizontally above columns, resting on their capitals

FINGER JOINT - A joint used to make long lengths of material from shorter lengths. The ends of the short lengths are cut in a fingerlike interlocking pattern and glued together. Less expensive moldings are often made by finger joining short pieces of lumber together

INSIDE CORNER - A corner in which the faces of the walls bend in toward each other at an angle less than 180 degrees

HAND RAIL - Hand support in a stairwell

JAMB - Top and two sides of a door or window frame

MOULDINGS - Ornamental strips used to decorate a surface, often used to accent or emphasize the ornamentation of a structure and to conceal surface or angle joints

NOSING - Rounded edge of a stair step

PANEL MOLD - a decorative pattern, originally used to trim out raised panel wall construction. Most useful fabricated as a frame, surrounding attractive wall coverings for a paneled effect on walls

RABBET - A groove cut across the edge of the face of a piece of lumber, generally so that another piece of lumber can be inserted in the groove in order to join the two pieces at a right angle

ROSETTE / PLINTH BLOCK - Rosette is a decorative block in the upper corner of windows and doors. Plinth is the base block which is placed on both sides of the door resting on the floor

SHOE RAIL - Primarily used for closed stairs with a curb wall. The shoe rail sits on top of the curb wall and the balusters fit inside the shoe rail. The fillet is cut and pieced between the balusters

SHOE MOLD - Quarter round trim applied at the bottom of baseboard where it meets the floor

TONGUE & GROOVE - Lumber machined to have a groove on one side and a protruding tongue on the other side, so that pieces fit snugly together with the tongue of one fitting into the groove of the other

WAINSCOTING - Lower interior wall surface (usually 3 to 4 feet above the floor) that contrasts with the wall surface above it

WINDOW SILL - Interior trim member serving as a window frame sill cap











# SKETCH PAD

# SKETCH PAD

# SKETCH PAD

# SKETCH PAD



# SKETCH PAD

# SKETCH PAD

# SKETCH PAD

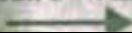
# SKETCH PAD



538 090 31 / 4 11 736

Mech. Vorsprung

r max 1200







P.O. BOX 15 OR 13813 STATION ROAD; BURTON, OHIO 44021

MONDAY-FRIDAY 8AM-4:30PM, SATURDAY 8AM-12PM

PH 440.834.3420 OR 877.708.4095 F 440.834.3422

[mouldingsone.com](http://mouldingsone.com)